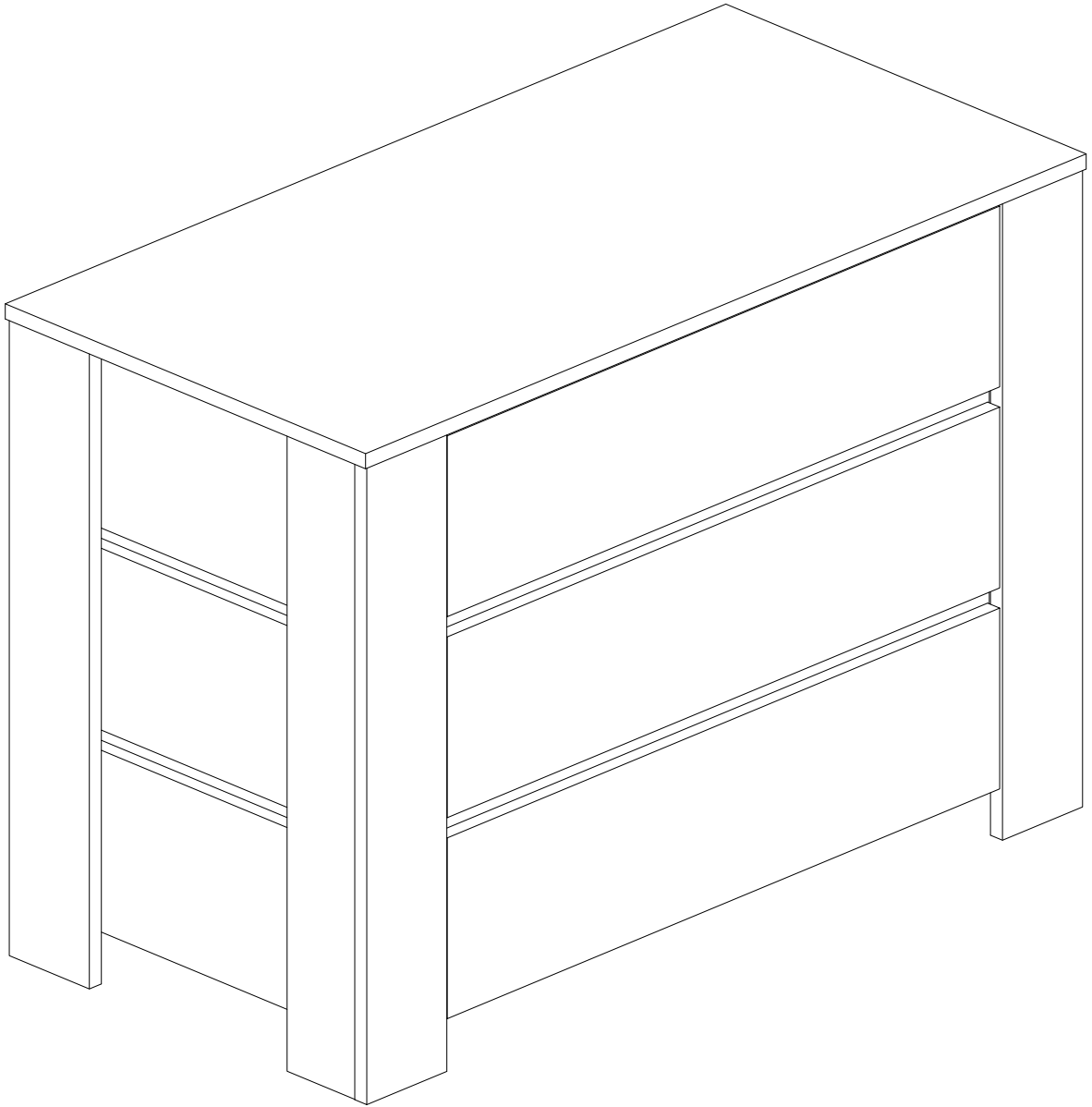


Assembly Instructions



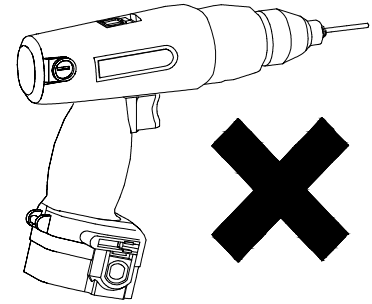
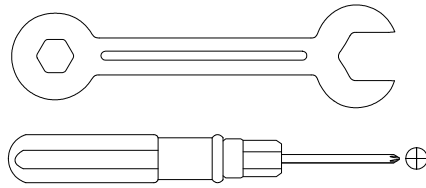
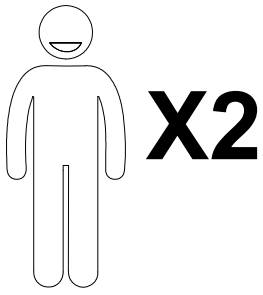
Contact Us

We're here to help you.

Your satisfaction is our top priority. If you encounter any issues with this product, such as missing or damaged parts, we're here to help. Please retain the original packaging and take photos of the packaging and the product, then contact us as soon as possible.

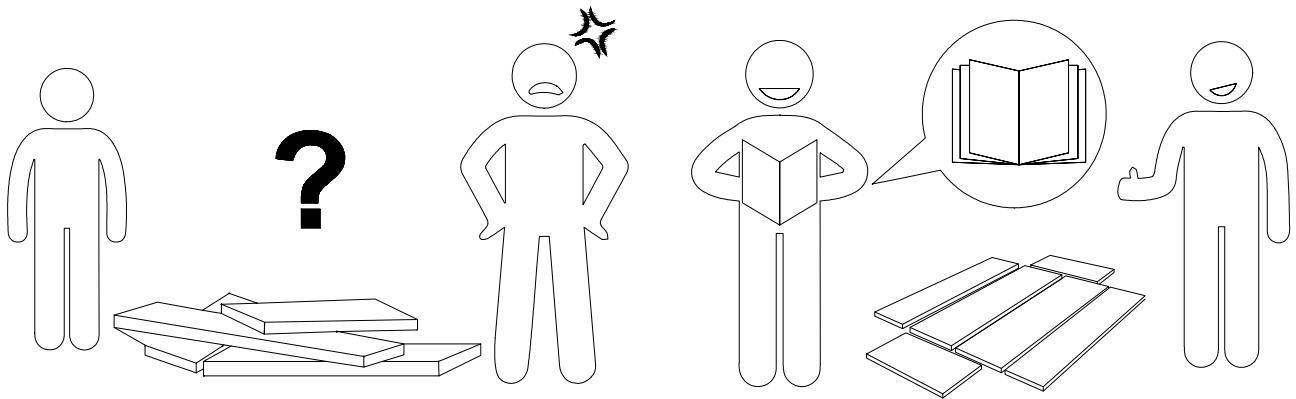
Warm Tips

1. Carefully read these instructions and keep them for future reference.
2. Check the parts list and confirm everything's there before starting assembly.
3. When assembling, put all parts on a soft, smooth surface like a carpet to avoid scratches.
4. Don't fully tighten screws until all parts are confirmed in place to avoid misalignment.



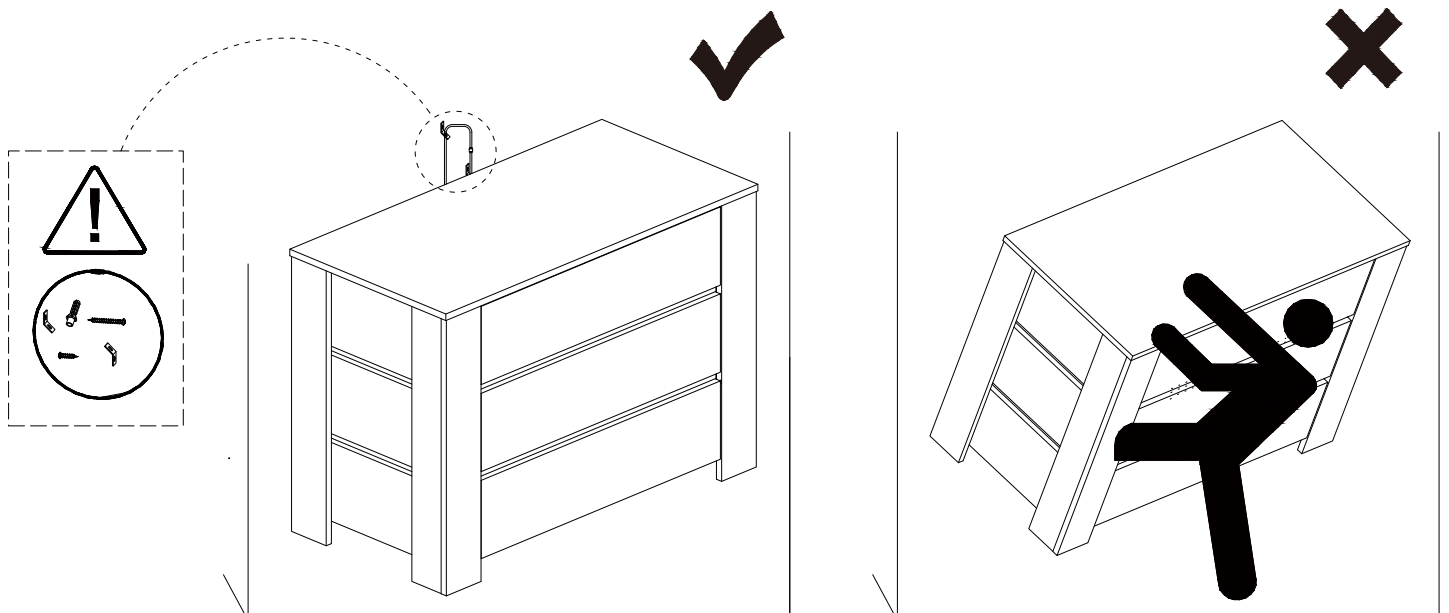
We recommend using hand tools for assembly.

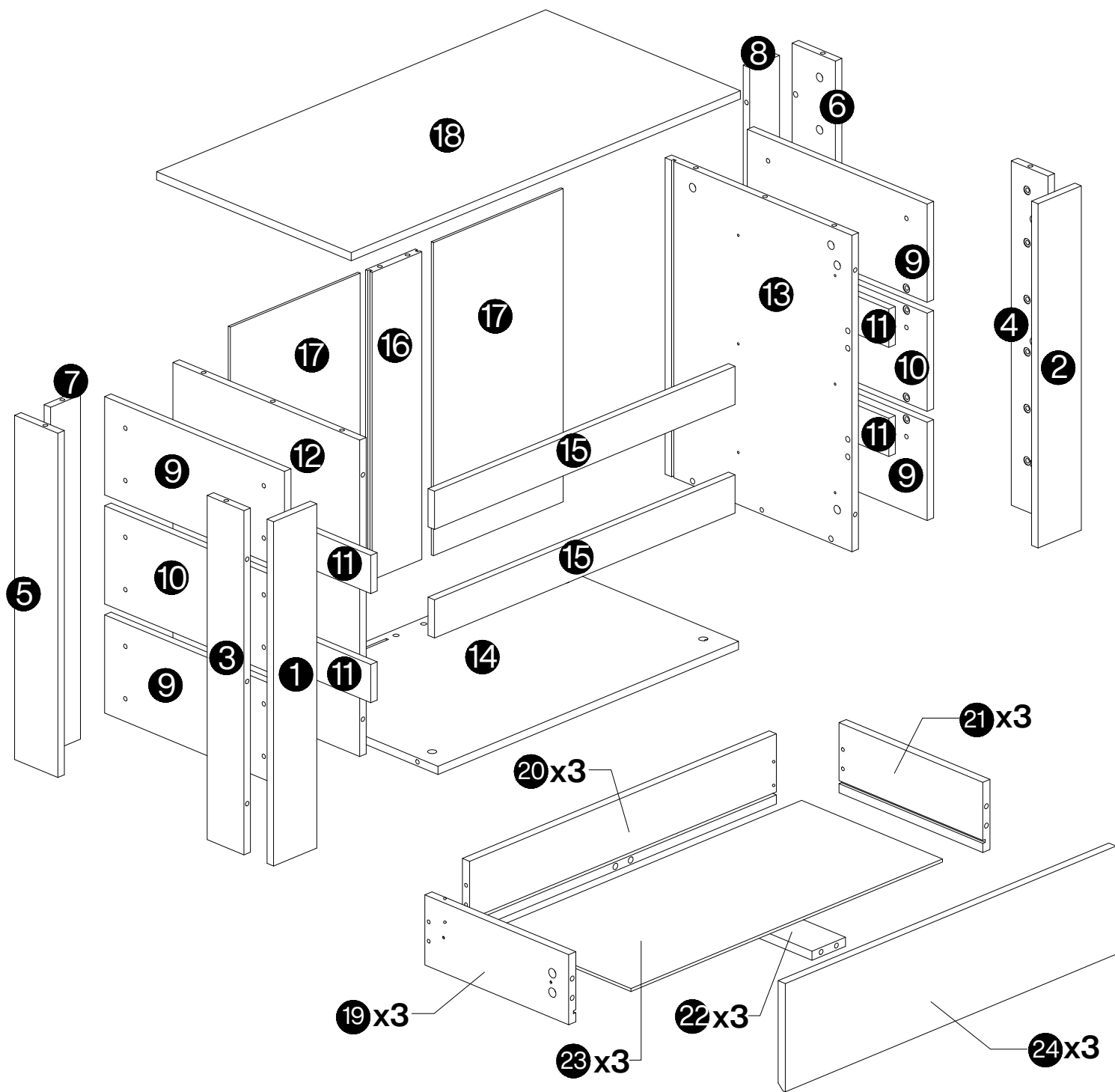
If an electric screwdriver is used, reduce power and torque to avoid damage to the product.



Install the Anti-Tip Straps

Using the anti-tip straps can reduce the risk of tipping over, but can not eliminate it.

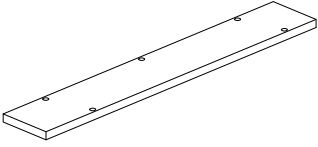
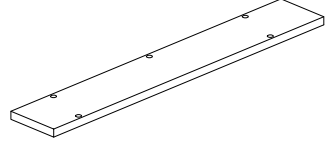
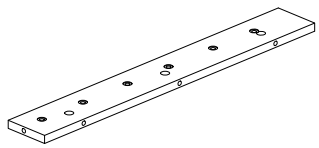
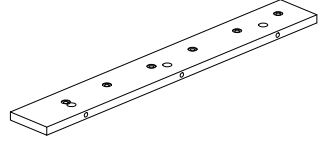
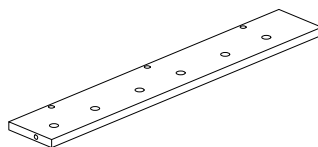
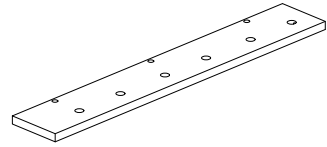
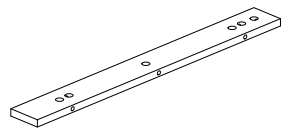
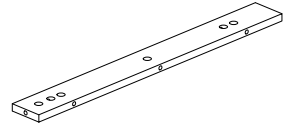
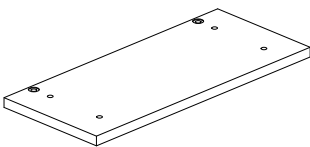
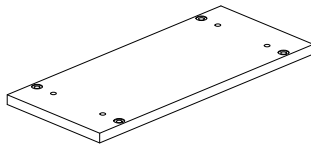
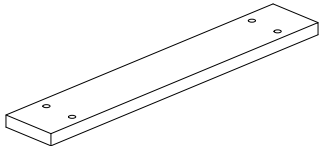
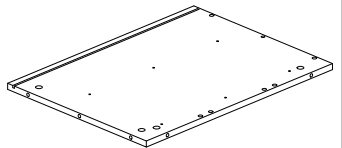




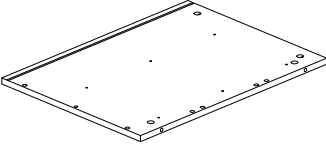
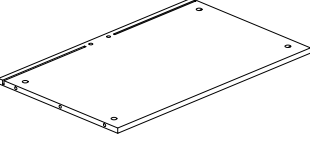
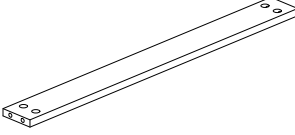
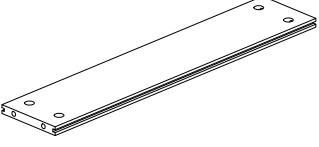
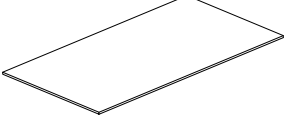
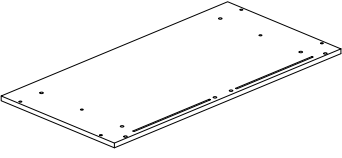
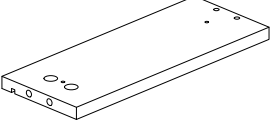
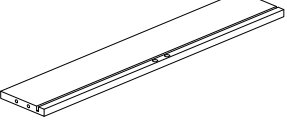
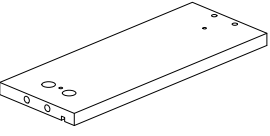
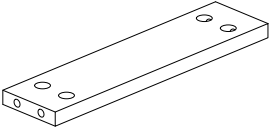

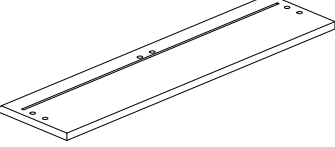
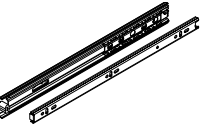
⚠ Caution

Make sure all parts are included. Most board parts are labeled or stamped on the raw edge. Contact us for a free replacement if you encounter any damaged or missing parts.

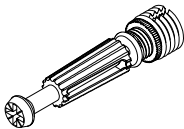
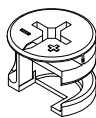
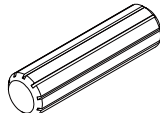
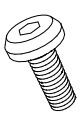

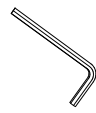
Parts List


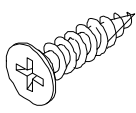


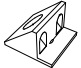
<p>1</p>  <p>1 pc</p>	<p>2</p>  <p>1 pc</p>	<p>3</p>  <p>1 pc</p>	<p>4</p>  <p>1 pc</p>
<p>5</p>  <p>1 pc</p>	<p>6</p>  <p>1 pc</p>	<p>7</p>  <p>1 pc</p>	<p>8</p>  <p>1 pc</p>
<p>9</p>  <p>4 pcs</p>	<p>10</p>  <p>2 pcs</p>	<p>11</p>  <p>4 pcs</p>	<p>12</p>  <p>1 pc</p>

Parts List

<p>13</p>  <p>1 pc</p>	<p>14</p>  <p>1 pc</p>	<p>15</p>  <p>2 pcs</p>	<p>16</p>  <p>1 pc</p>
<p>17</p>  <p>2 pcs</p>	<p>18</p>  <p>1 pc</p>	<p>19</p>  <p>3 pcs</p>	<p>20</p>  <p>3 pcs</p>
<p>21</p>  <p>3 pcs</p>	<p>22</p>  <p>3 pcs</p>	<p>23</p>  <p>3 pcs</p>	<p>24</p>  <p>3 pcs</p>
<p>25</p>  <p>3 pcs</p>			

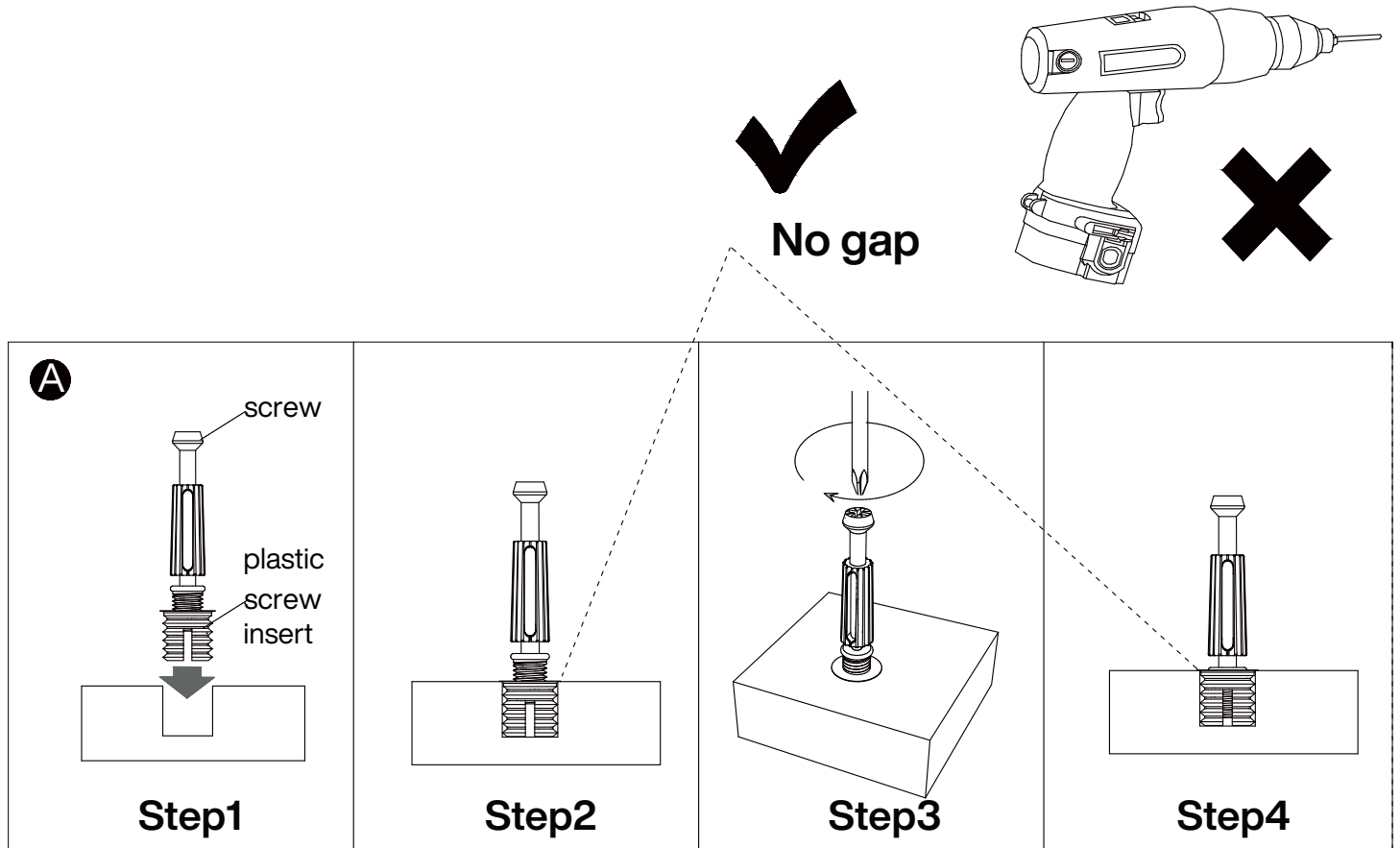
Hardware List

A	B	C	D	E	F
					
M6x40mm	Ø15x12mm	M8x30mm	M6x25mm	M4	M3
66pcs	66 pcs	8 pcs	40 pcs	1pc	1pc

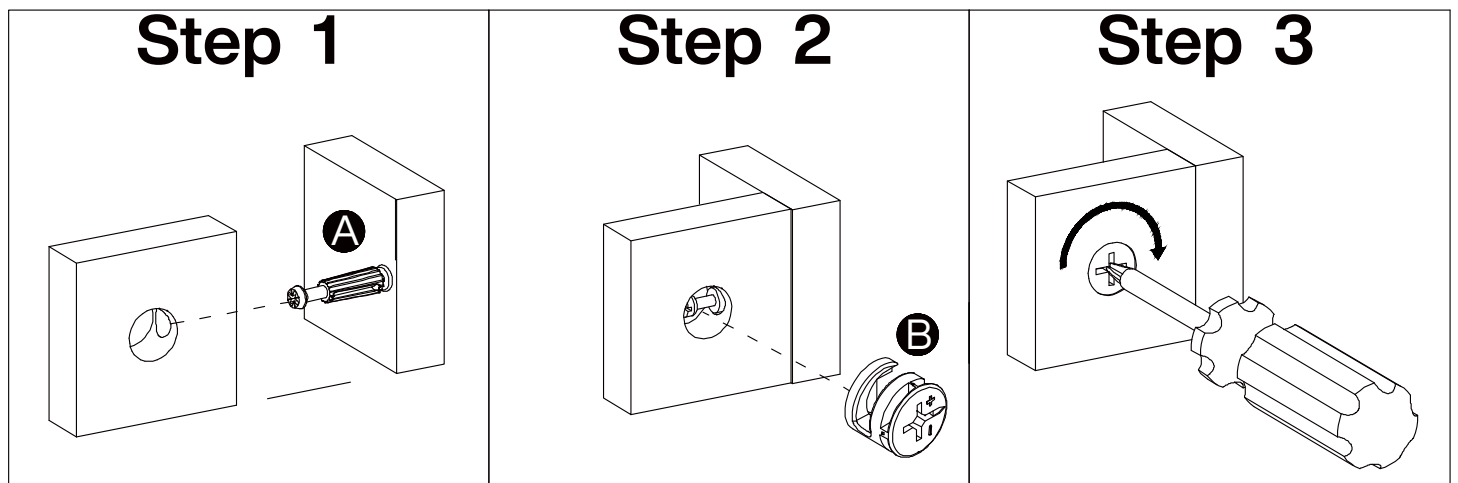
G	H	I	J	K	
					
M5x38mm	M3.5x14mm		Ø12x5mm		
12 pcs	35 pcs	1 pc	9 pcs	8 pcs	

Installation of Cams and Pins

Step 1-2: Align the plastic part with the mounting hole and press it in. If you can't press it in, loosen the screw counter clockwise or completely remove the screw from the plastic part and try again.
Step 3-4: After pressing the plastic part into place, use a screwdriver to tighten the screw clockwise.



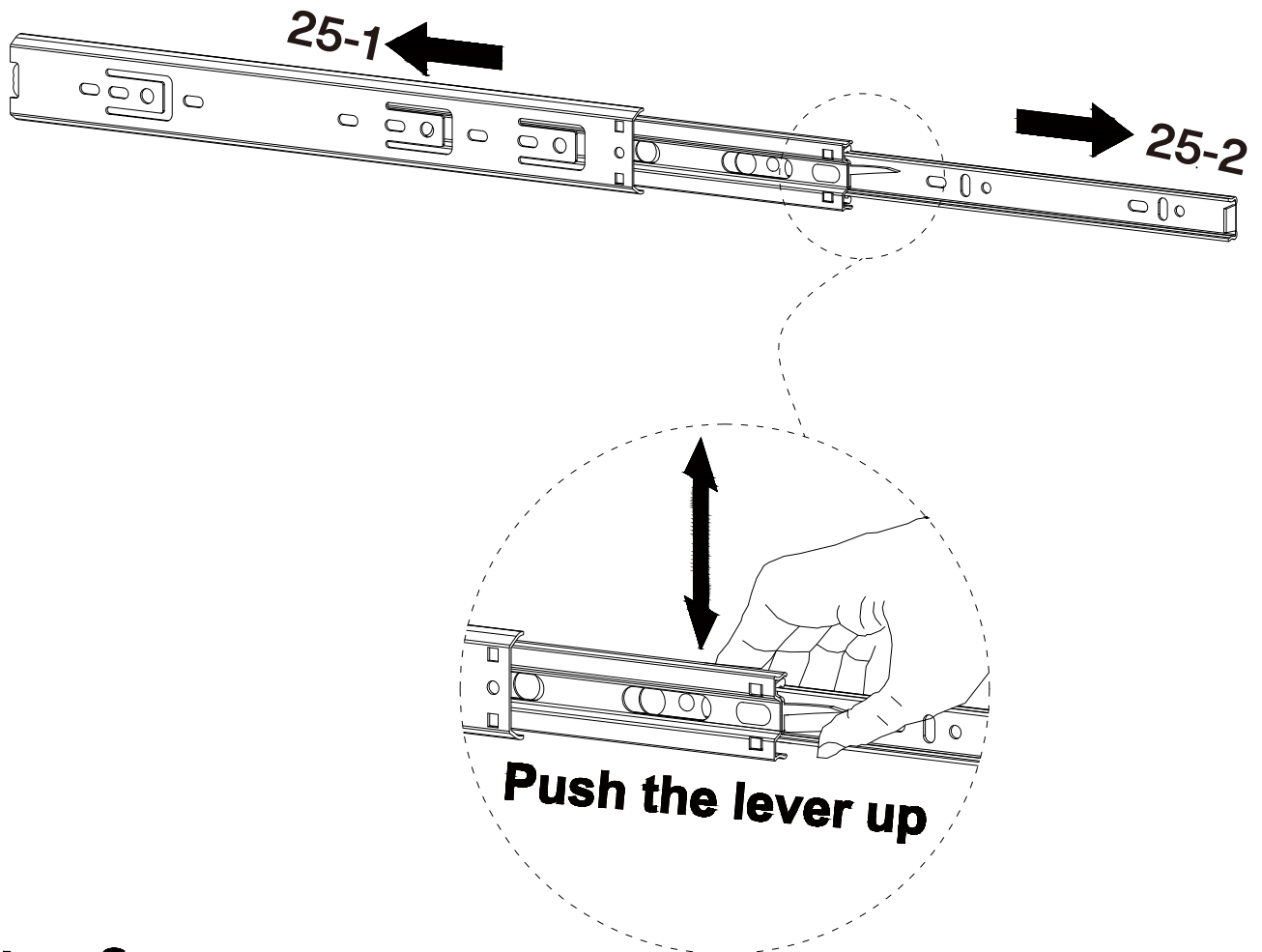
Screw the pin into the hole. Set the cams correctly by aligning the head of the cams with the lock pins. Lock the cam by turning the cam head with a screwdriver until it is tightened. Please do not use an electric screwdriver to assemble the unit.



Please split component "25" into "25-1" and "25-2" before assembling the slide and then proceed to the next step of assembly

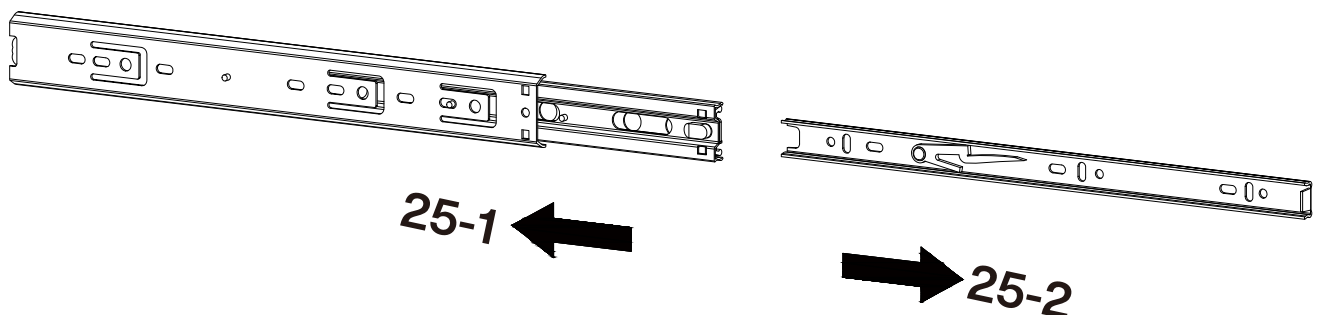
Step 1

Pull apart component "25" to each side, and then gently push up the lever of component "25-2"

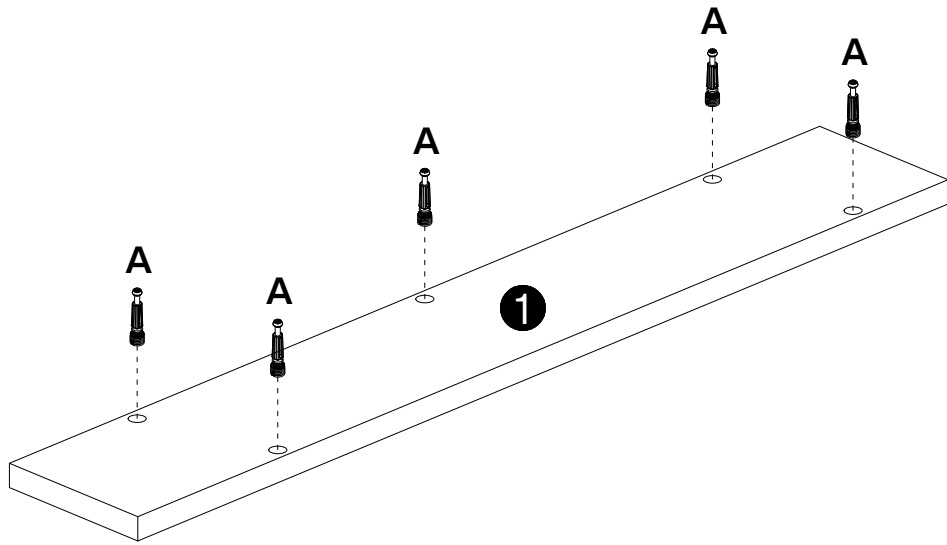
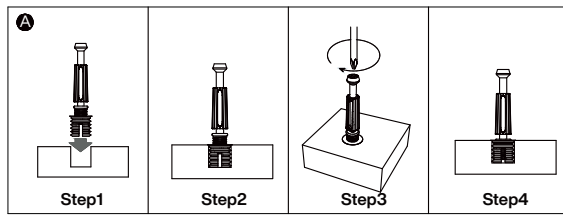



Step 2

Split component "25-1" and "25-2"

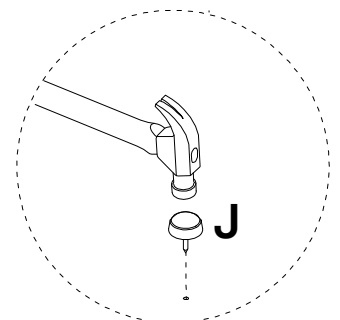
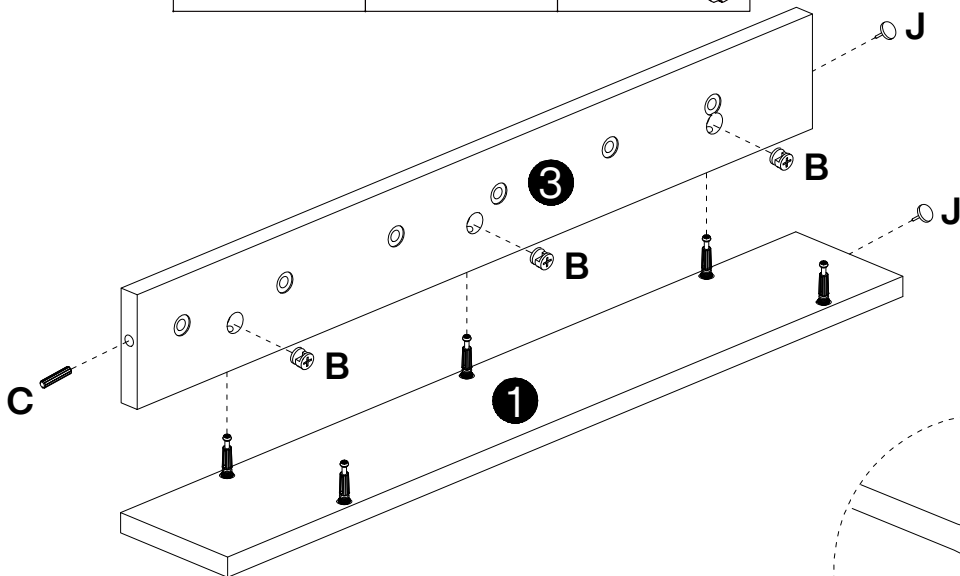
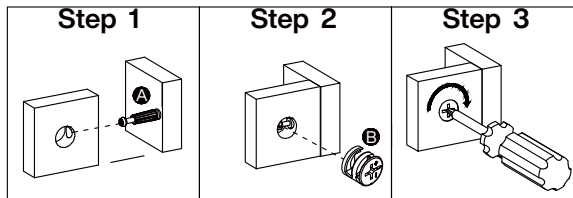


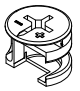

1



A

M6x40mm
5 pcs

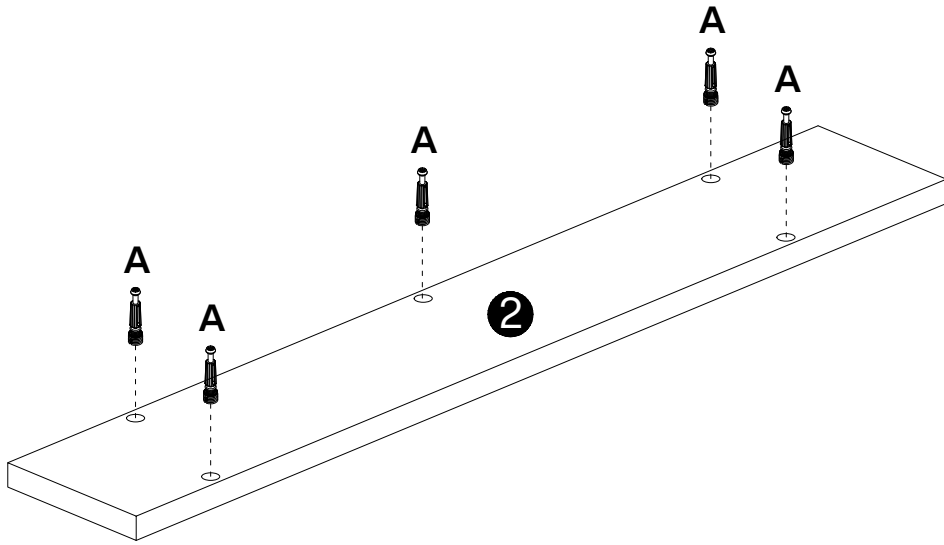
2




B	C	J
		
Ø15x12mm	M8x30mm	
3 pcs	1 pc	2 pcs

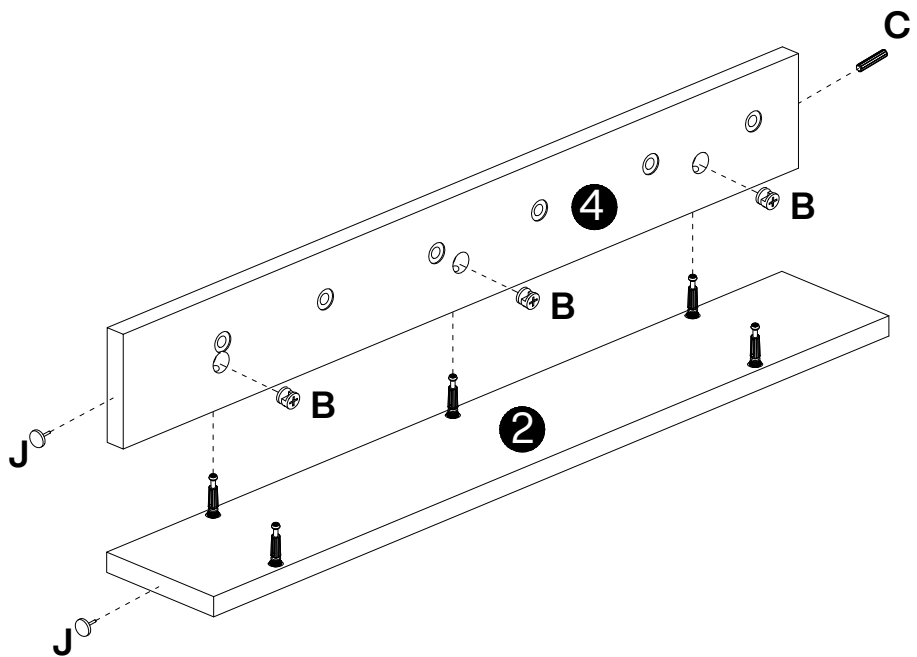
⚠ Caution! Tap lightly

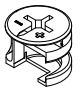


3



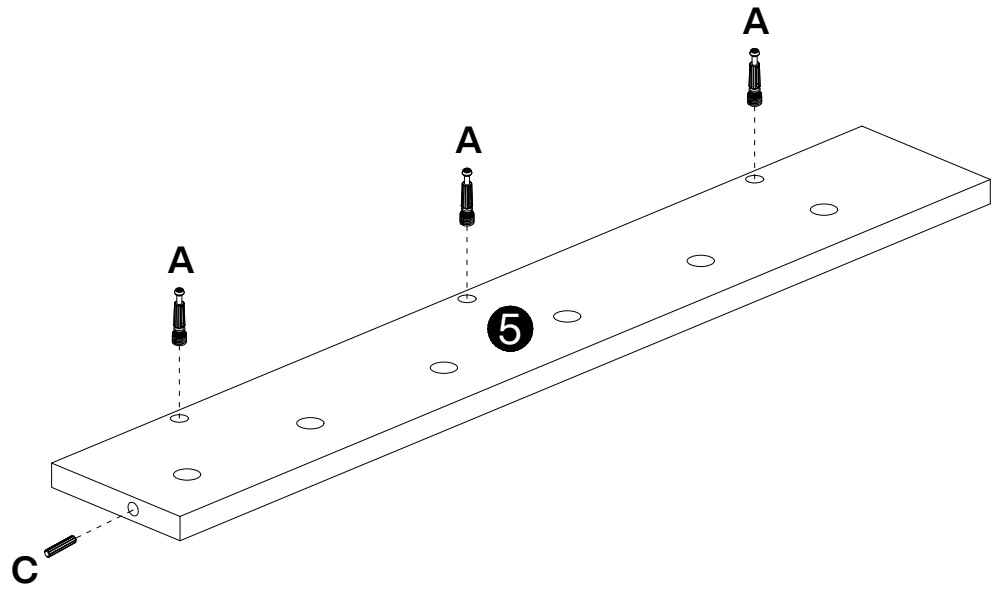
A

M6x40mm 5 pcs


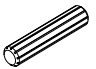
4



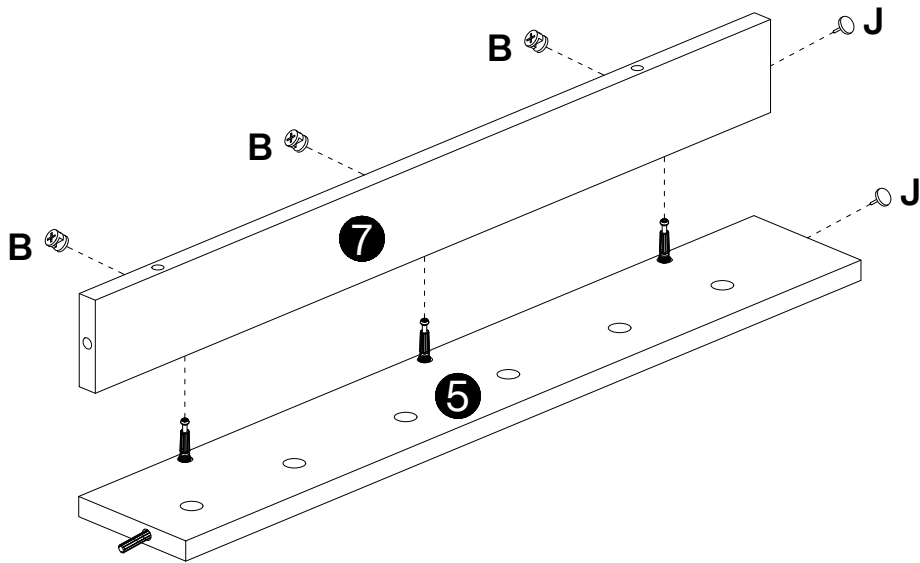
B	C	J
		
Ø15x12mm 3 pcs	M8x30mm 1 pc	2 pcs

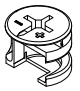

5



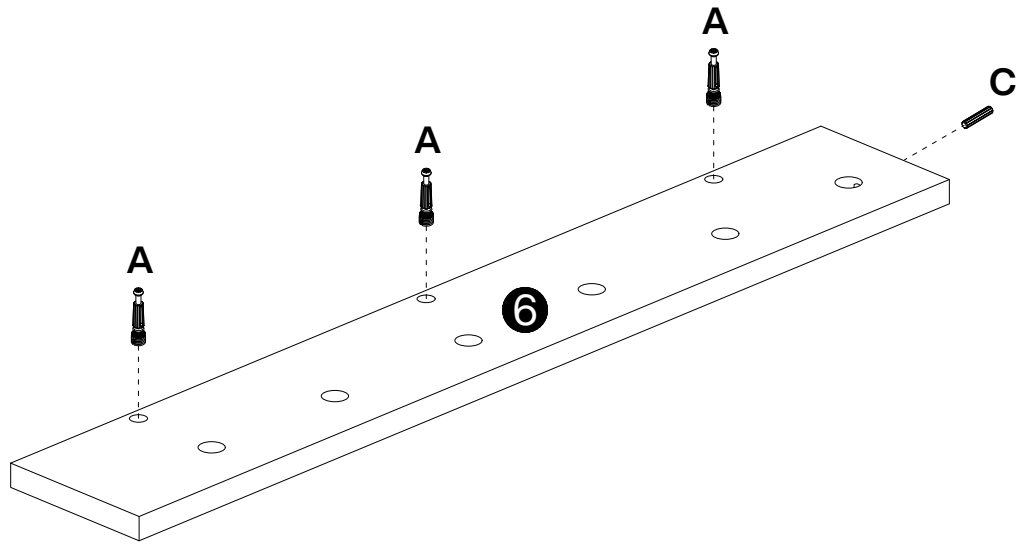
A	C
	
M6x40mm 3 pcs	M8x30mm 1 pc


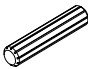
6



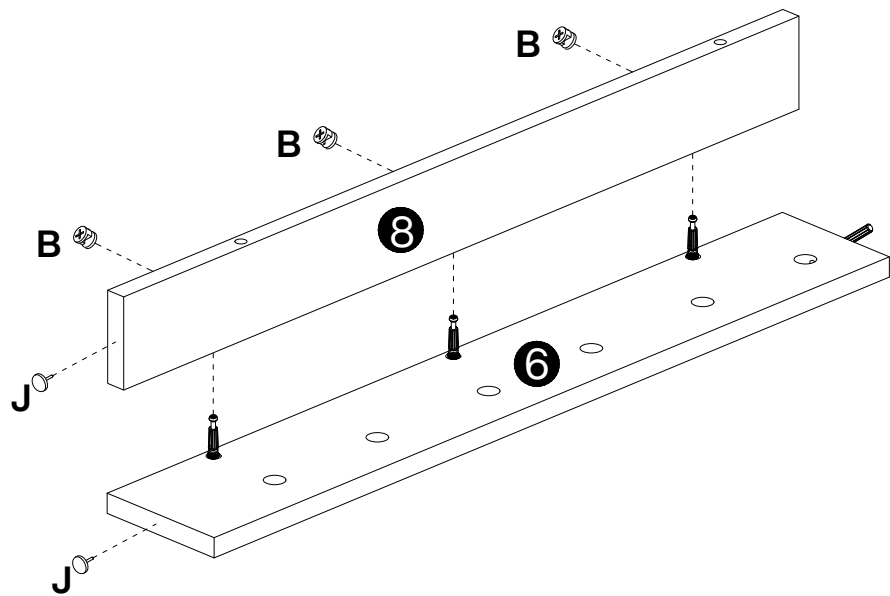
B	J
	
Ø15x12mm 3 pcs	 2 pcs

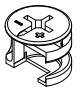

7



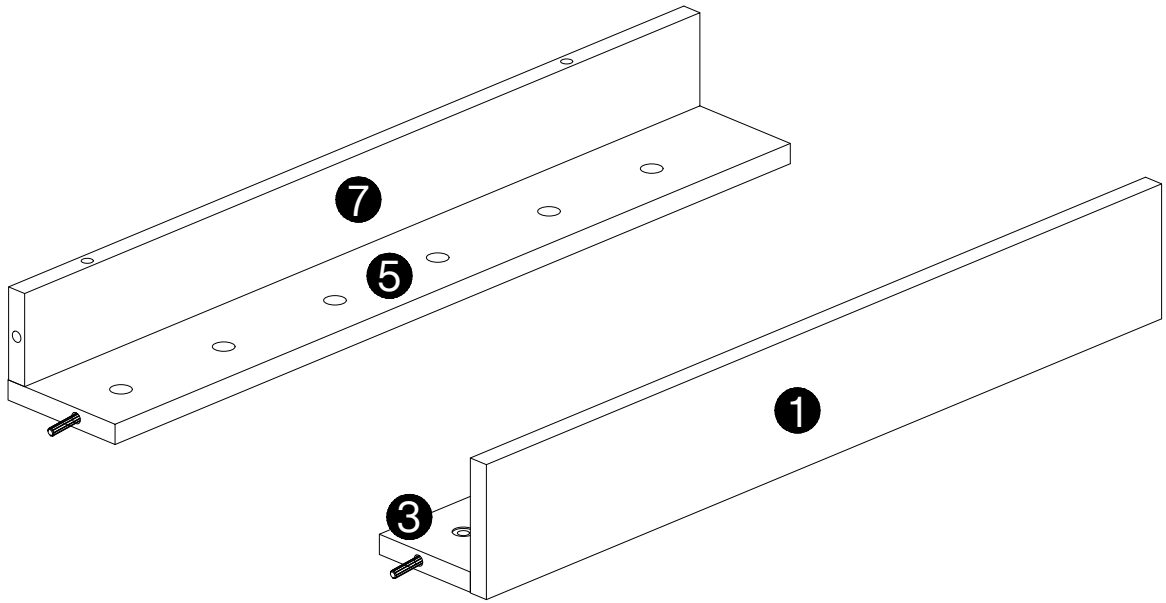
A	C
	
M6x40mm 3 pcs	M8x30mm 1 pc

8

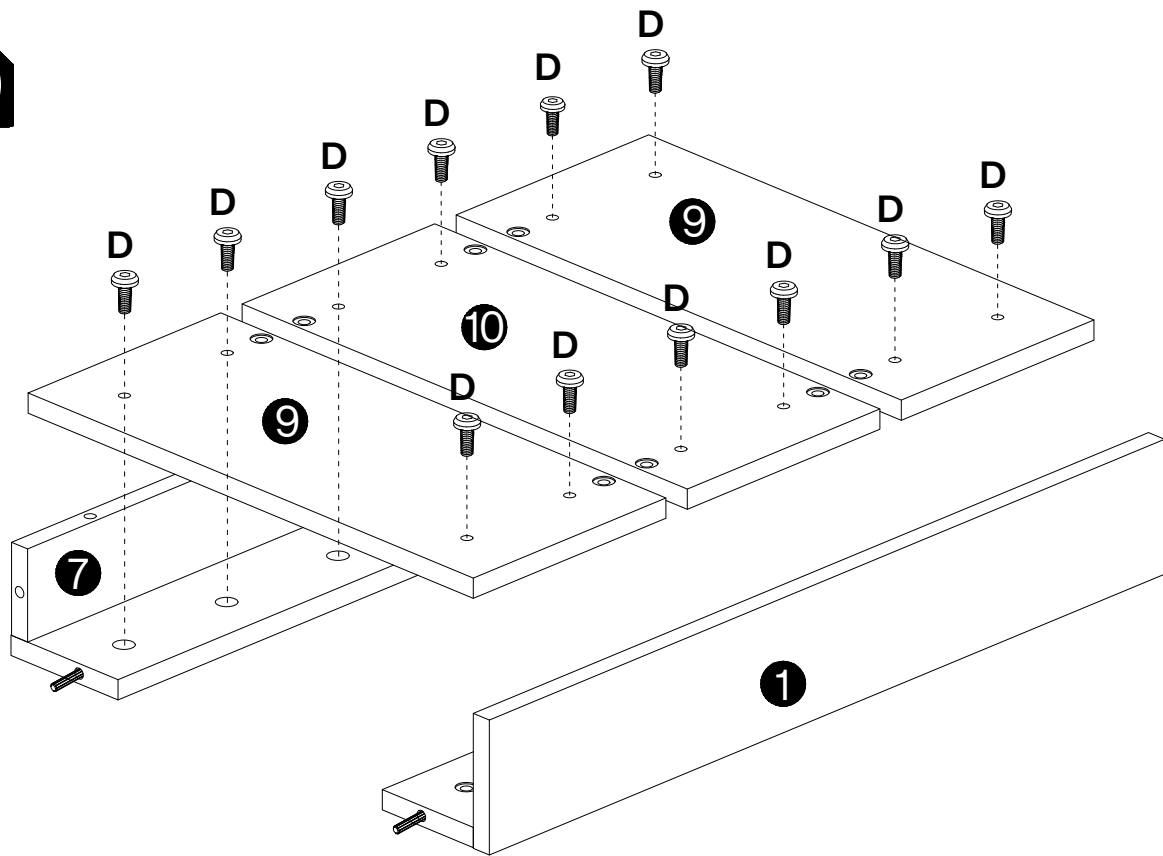




B	J
	
Ø15x12mm 3 pcs	 2 pcs

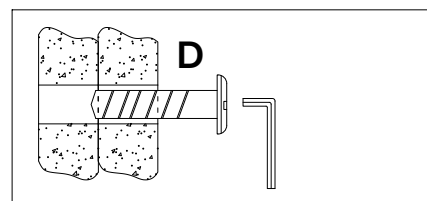
9



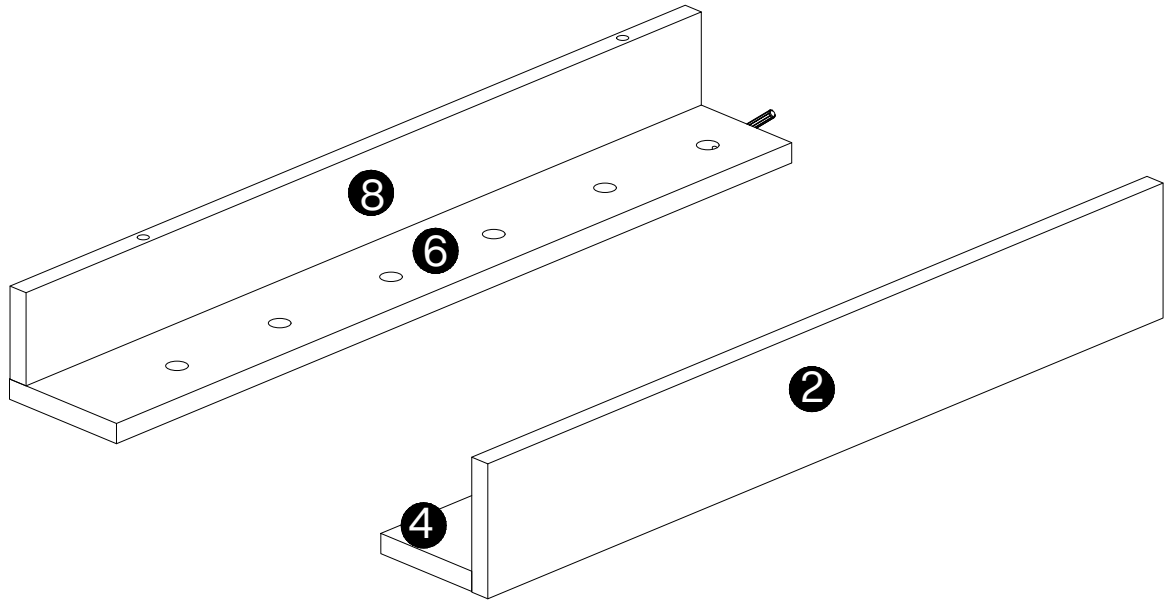
10



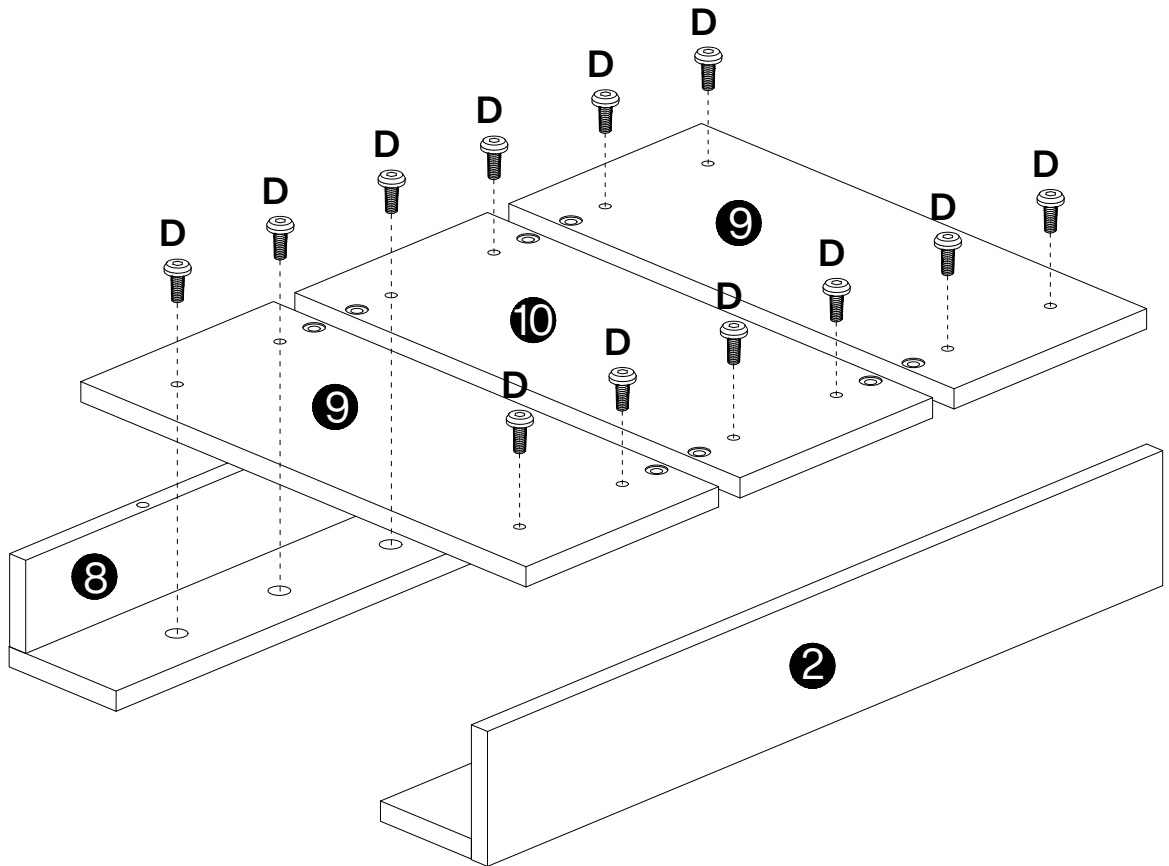
D	E
	
M6x25mm 12 pcs	1 pc





11

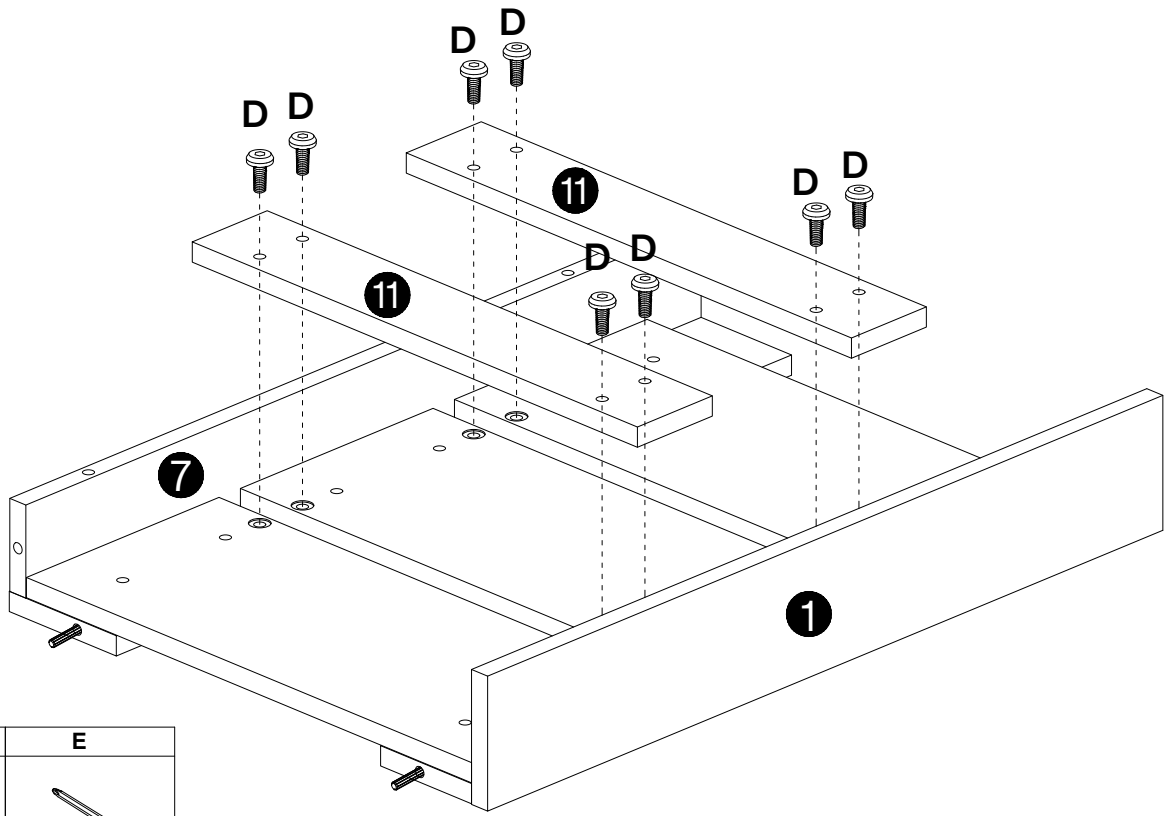




12



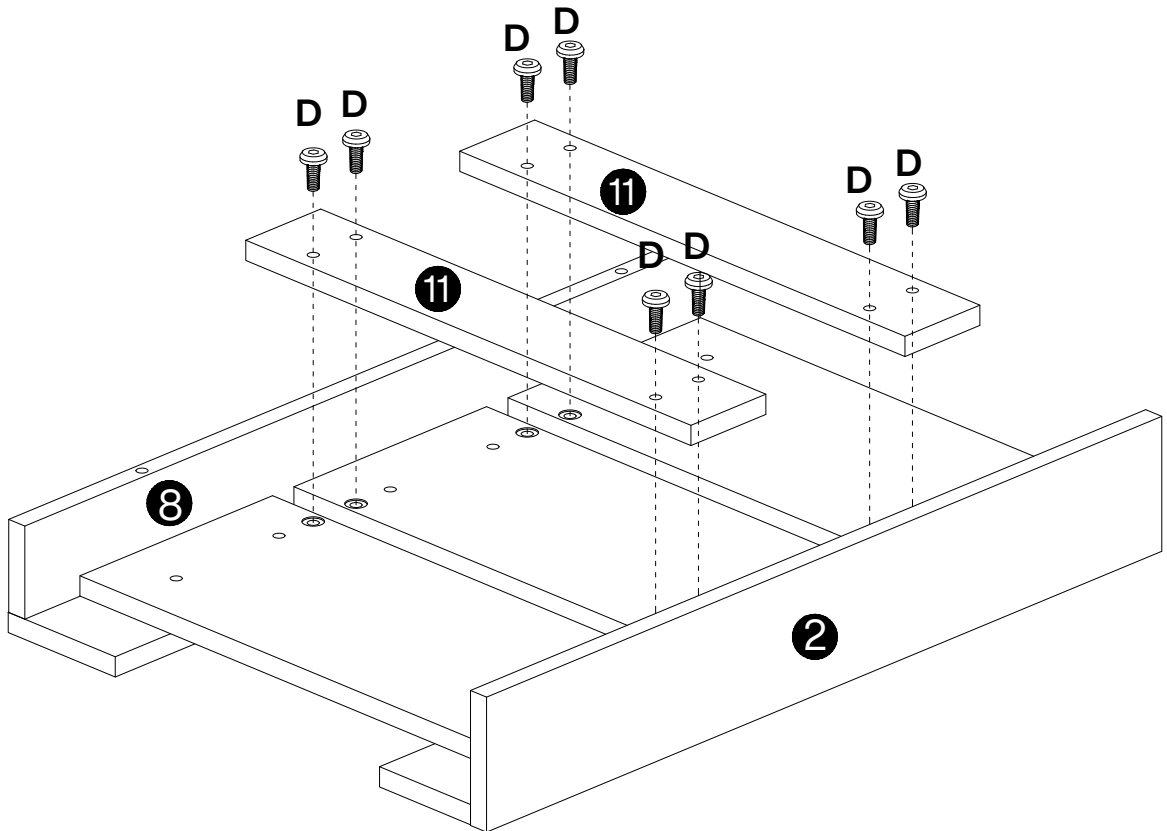
D	E
	
M6x25mm 12 pcs	1 pc



13



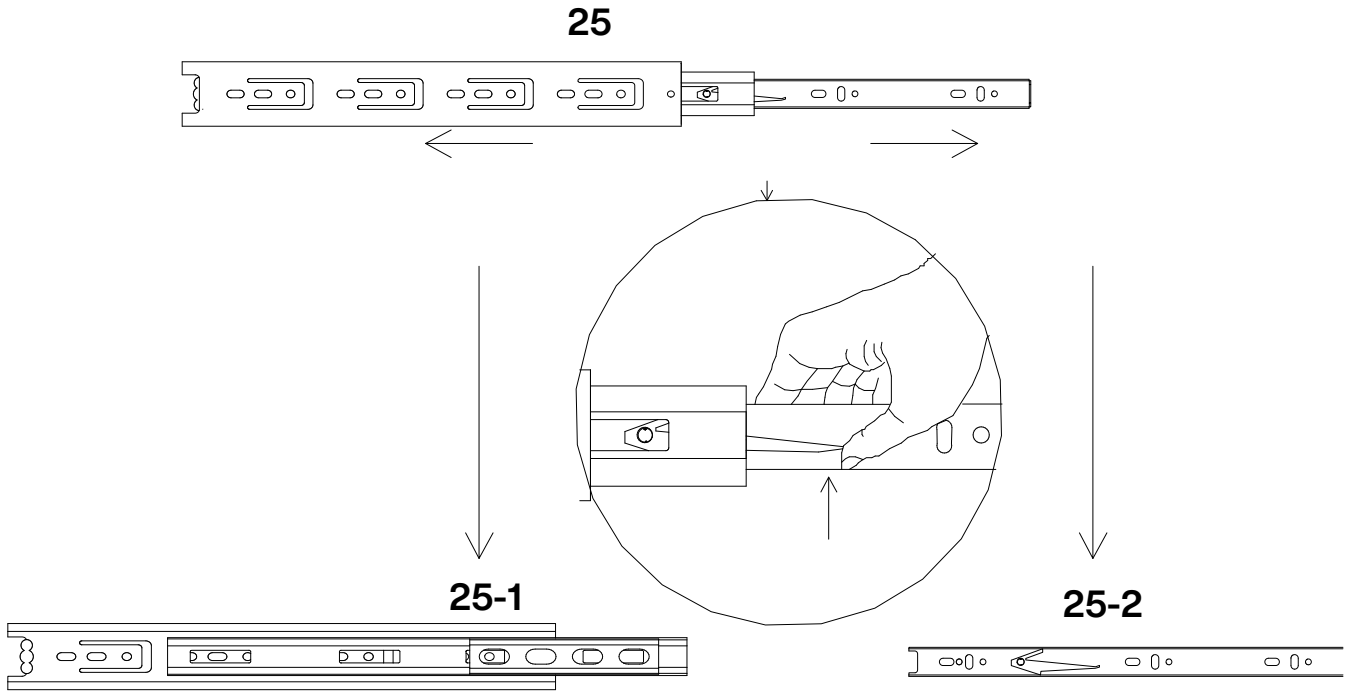
D	E
	
M6x25mm 8 pcs	1 pc

14

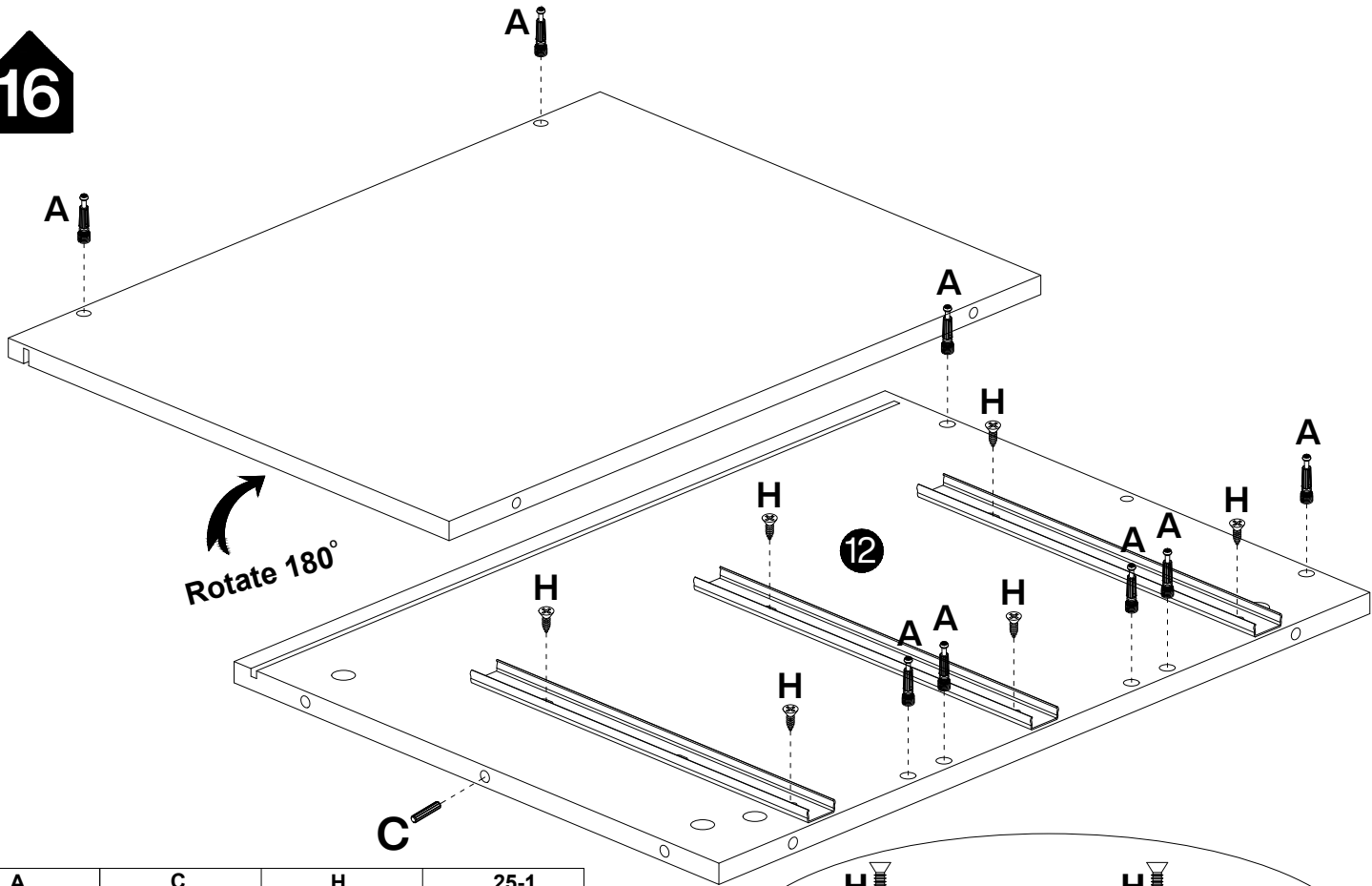



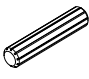


D	E
	
M6x25mm 8 pcs	1 pc

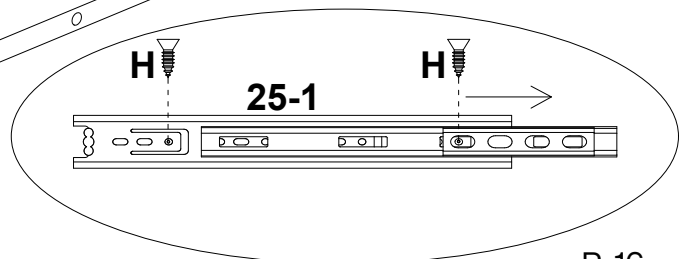
15



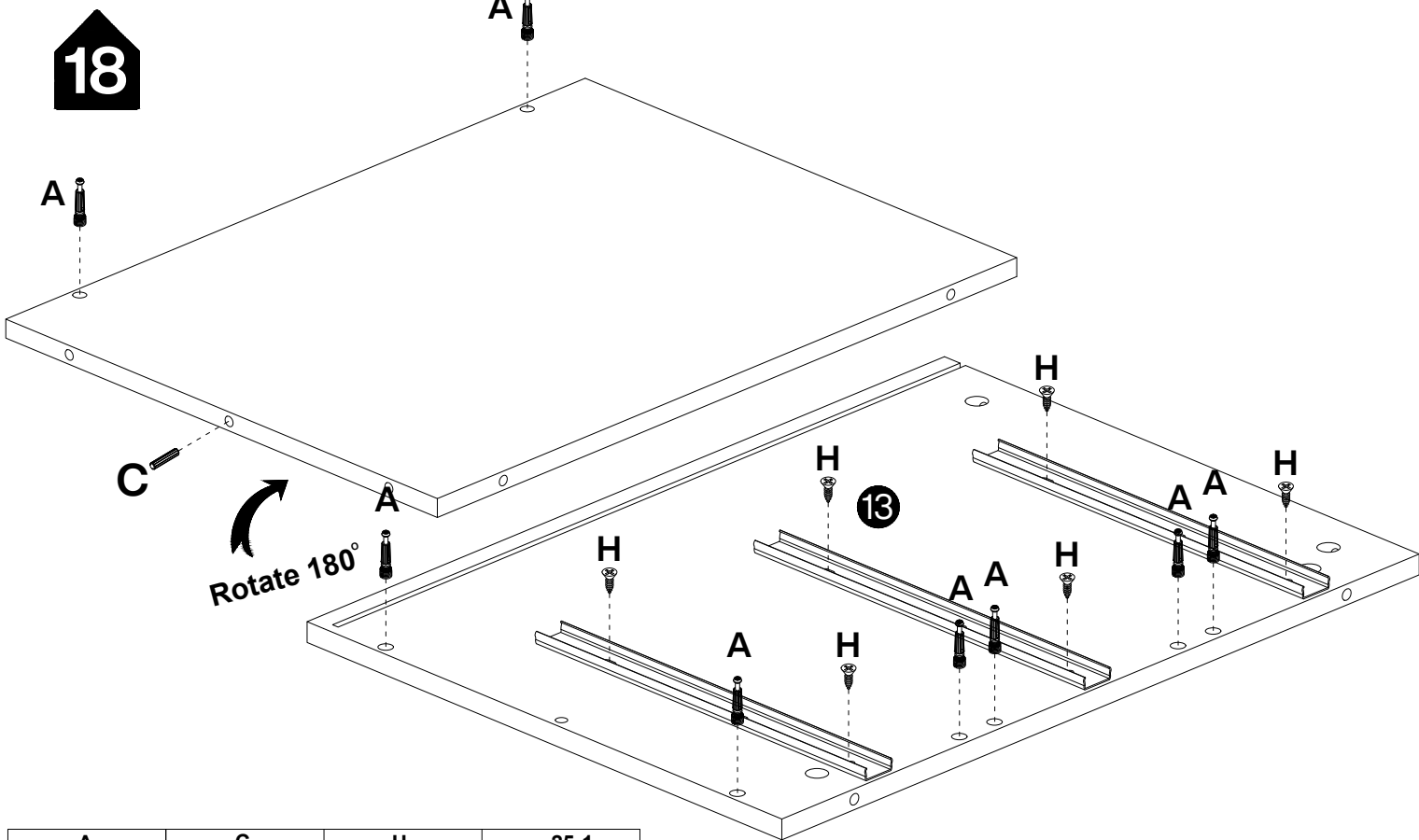
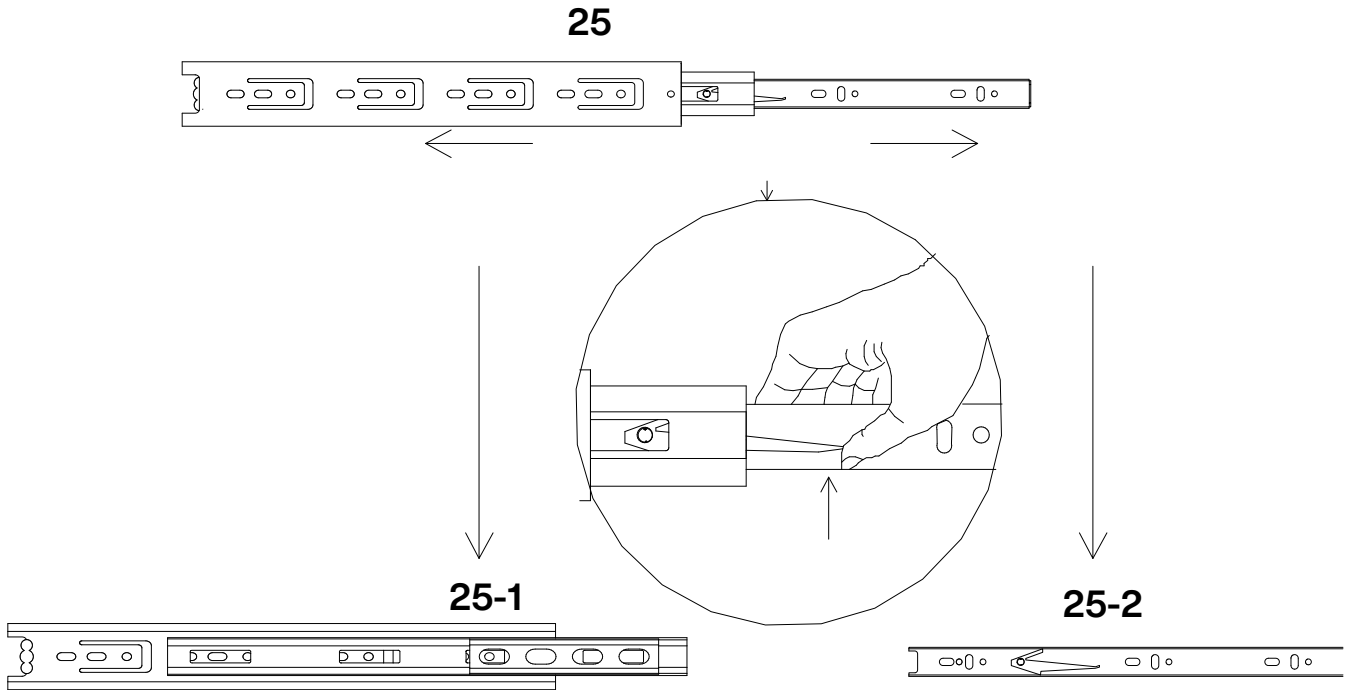
16


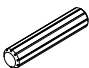




A	C	H	25-1
			
M6x40mm 8 pcs	M8x30mm 1 pc	M3.5x14mm 6 pcs	300mm 3 pcs

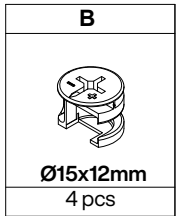
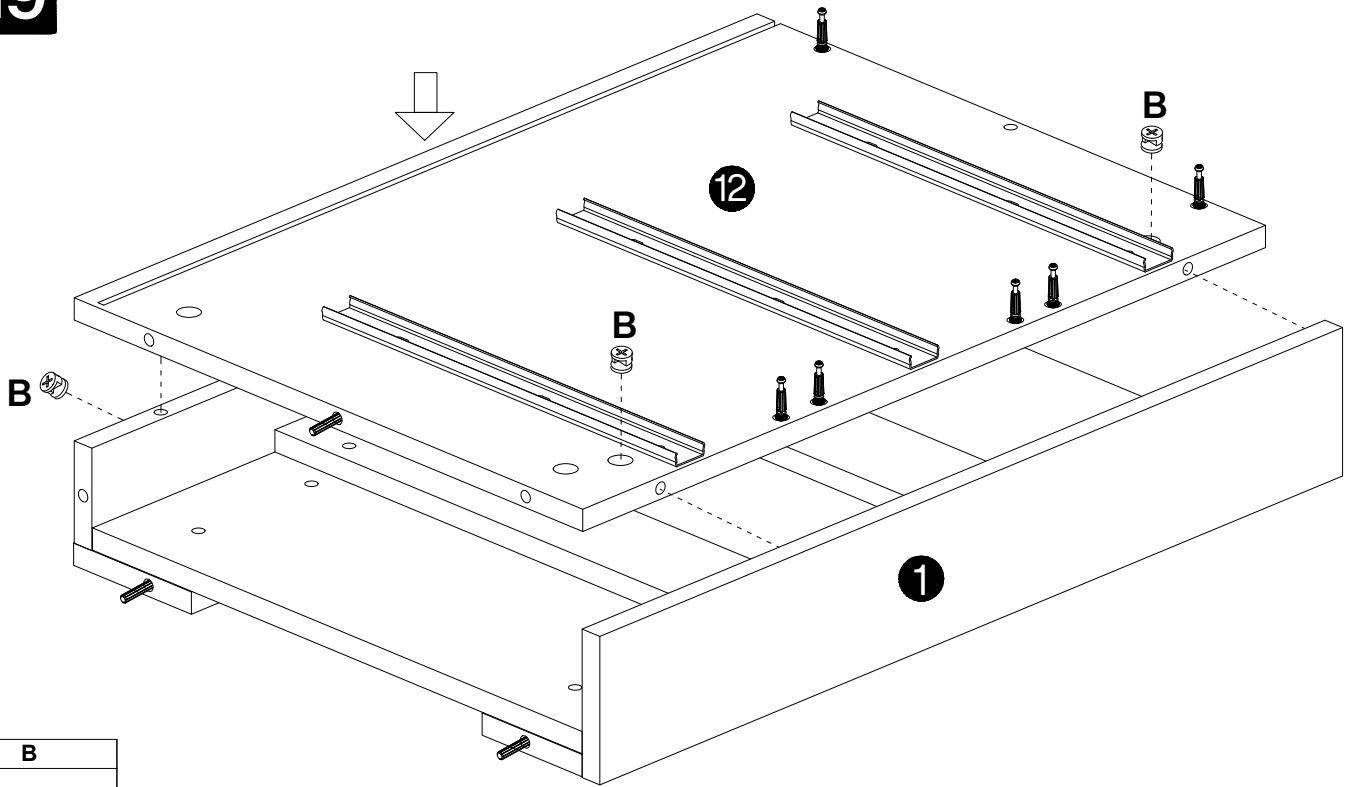


17

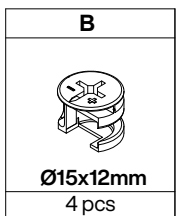
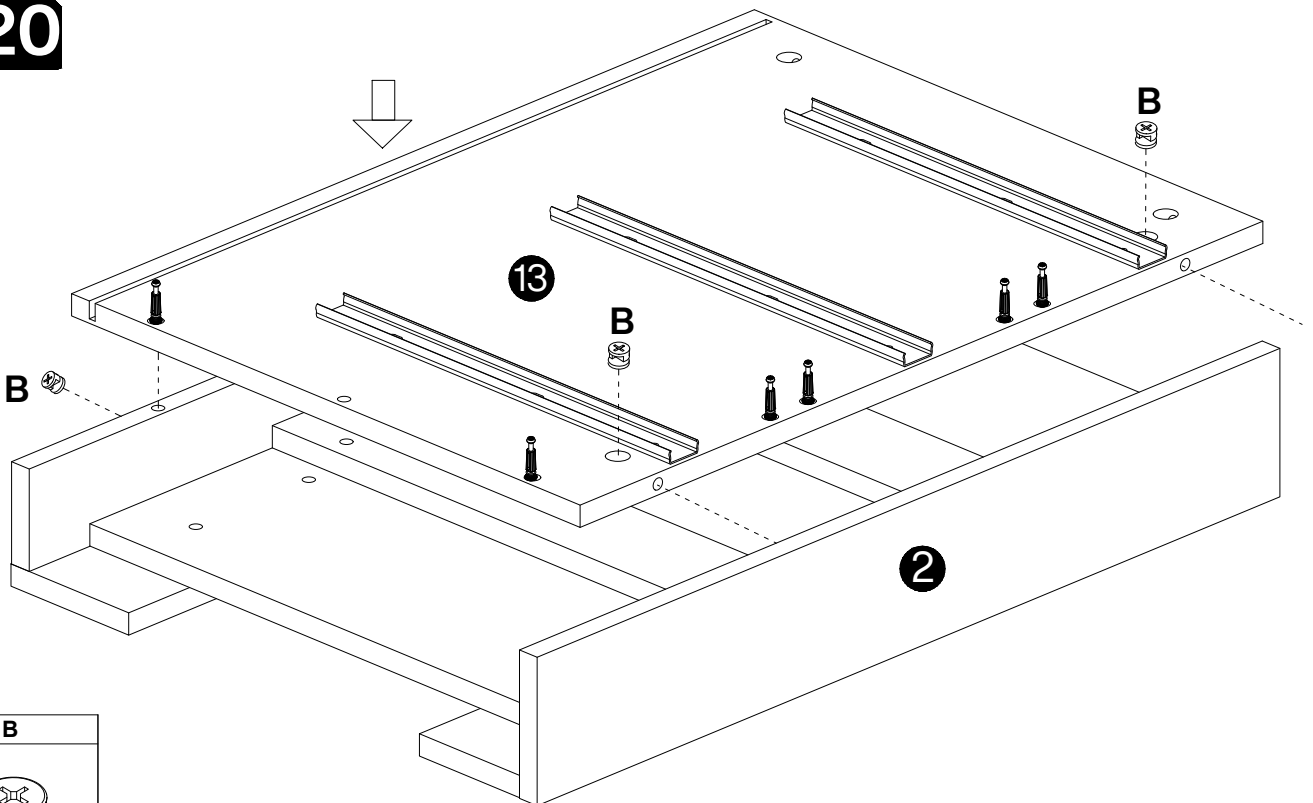


A	C	H	25-1
			
M6x40mm 8 pcs	M8x30mm 1 pc	M3.5x14mm 6 pcs	300mm 3 pcs

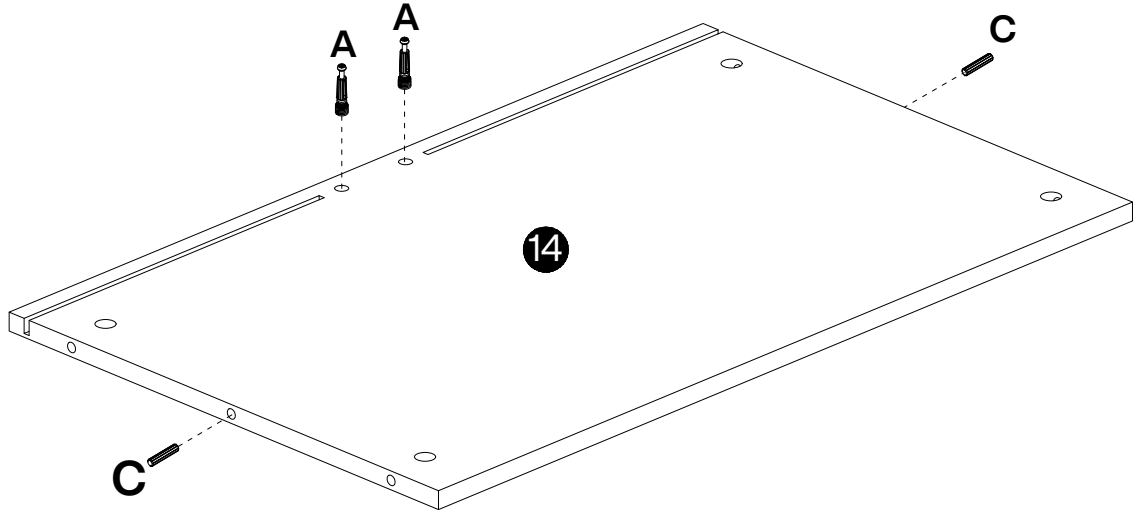
19


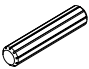


20

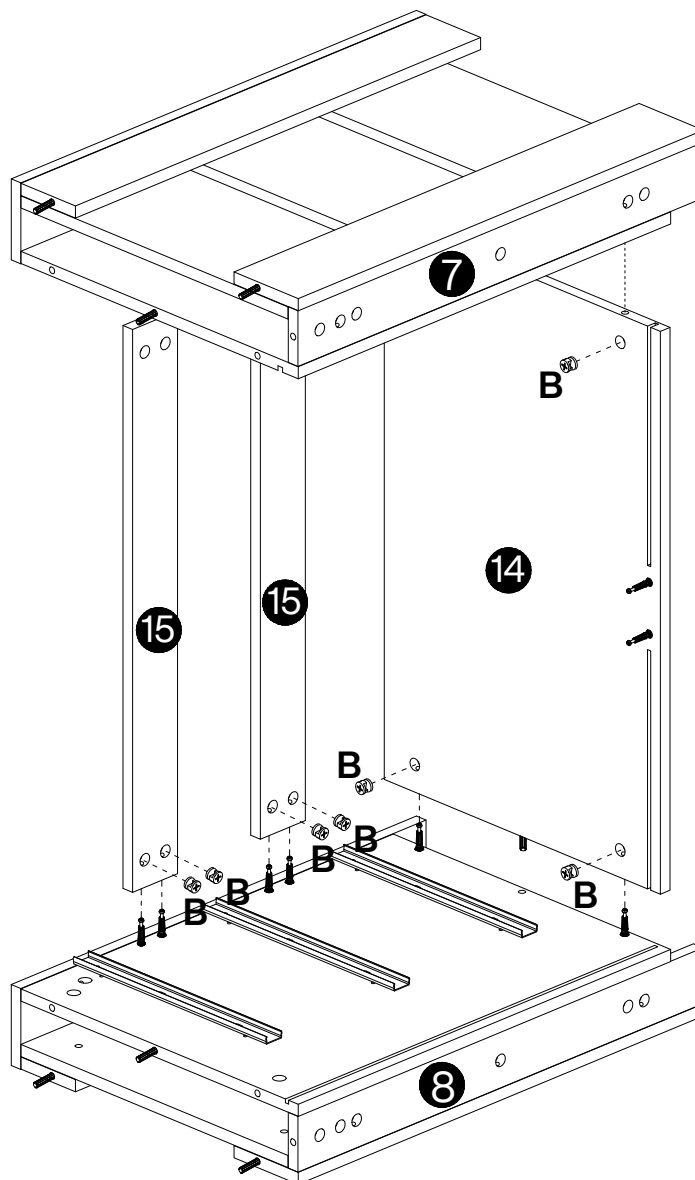


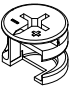
21



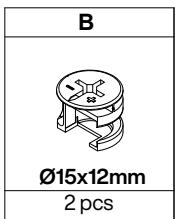
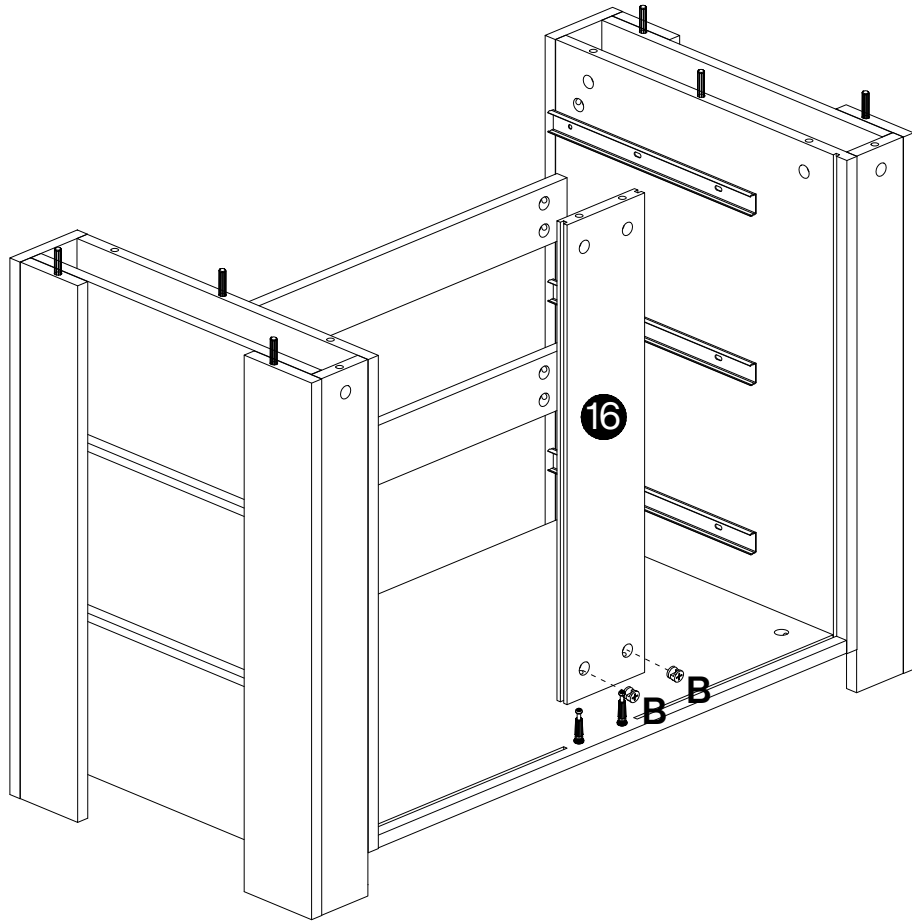
A	C
	
M6x40mm 2 pcs	M8x30mm 2 pcs

22

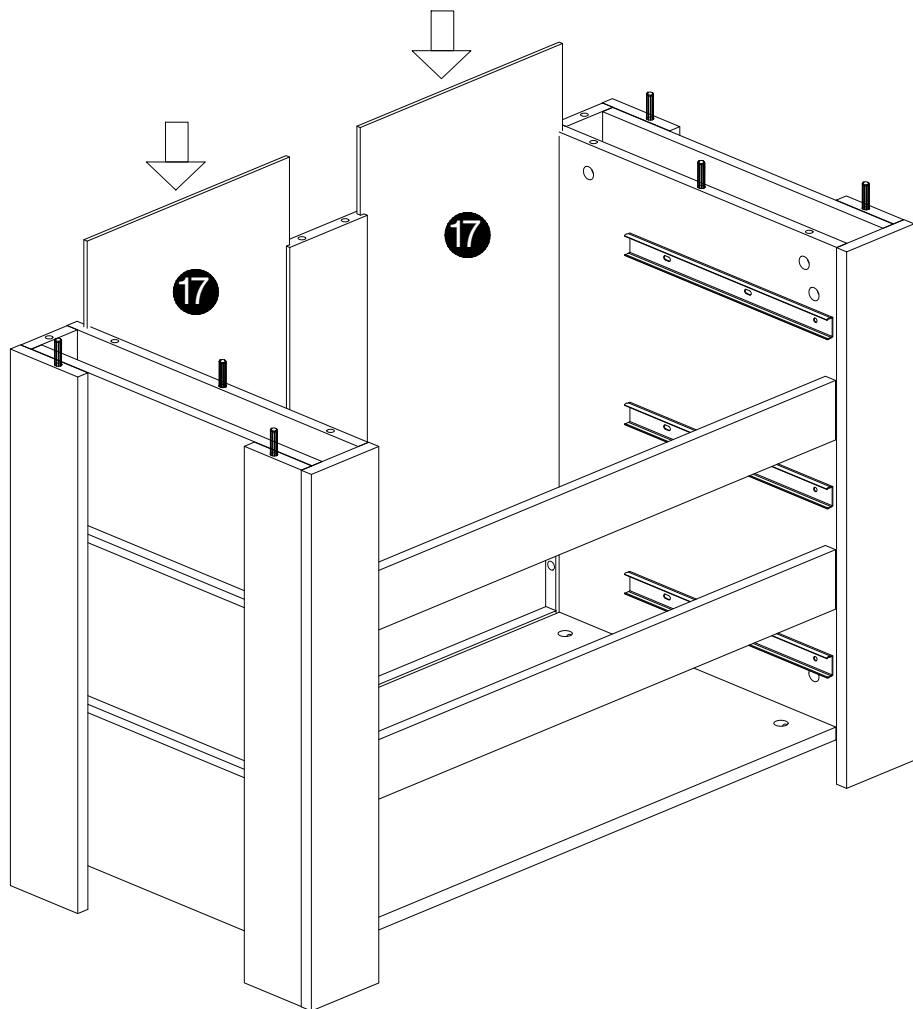


B

Ø15x12mm 12 pcs

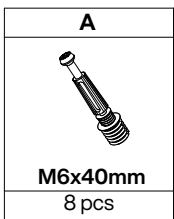
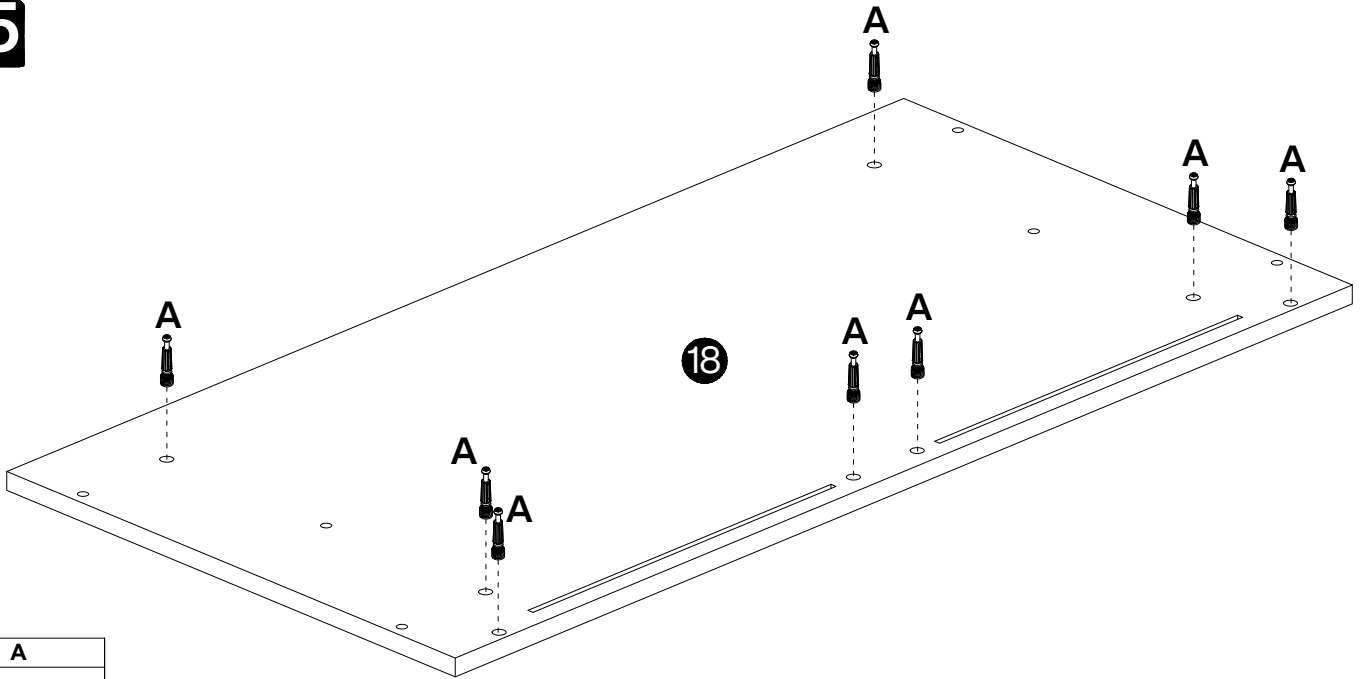
23



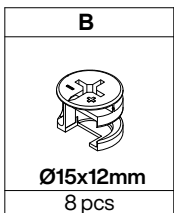
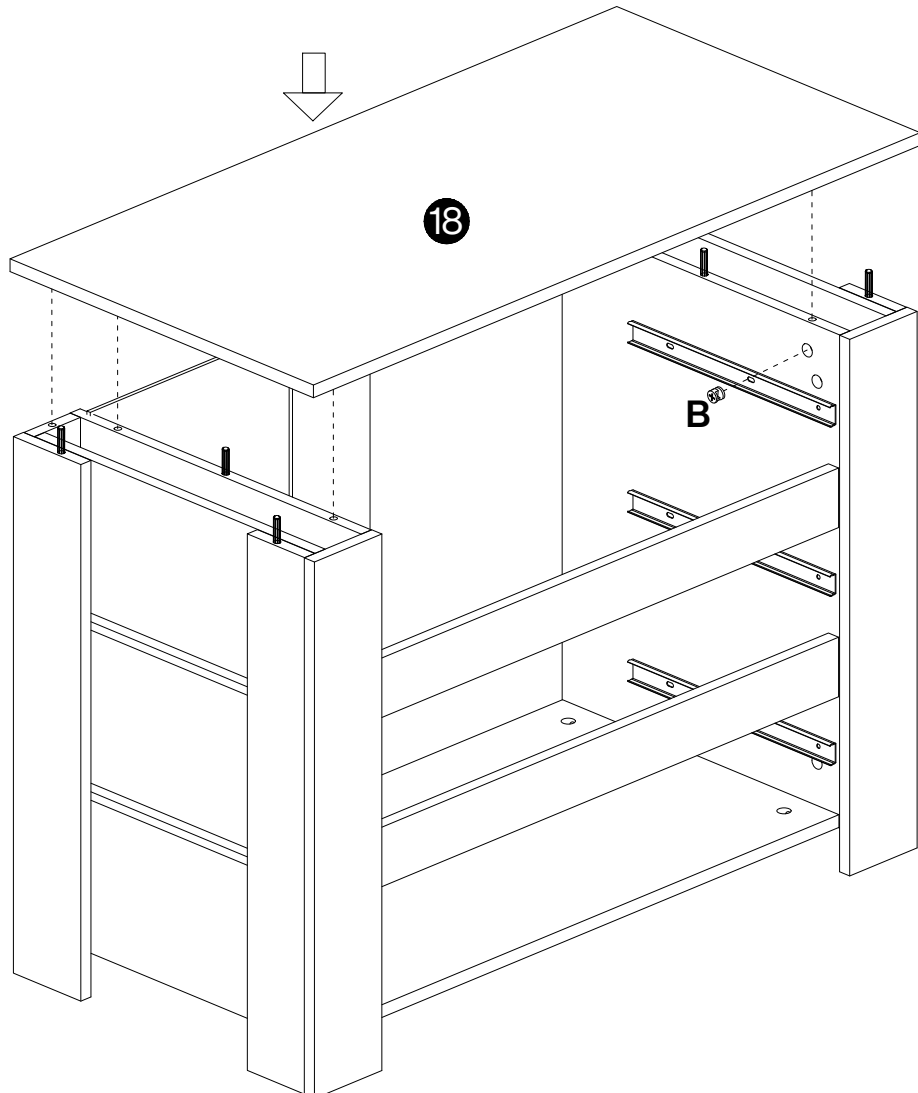
24



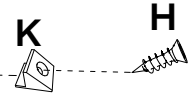
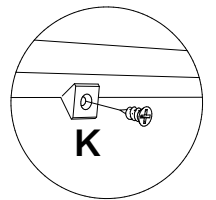
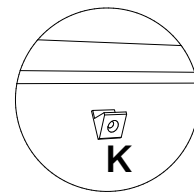
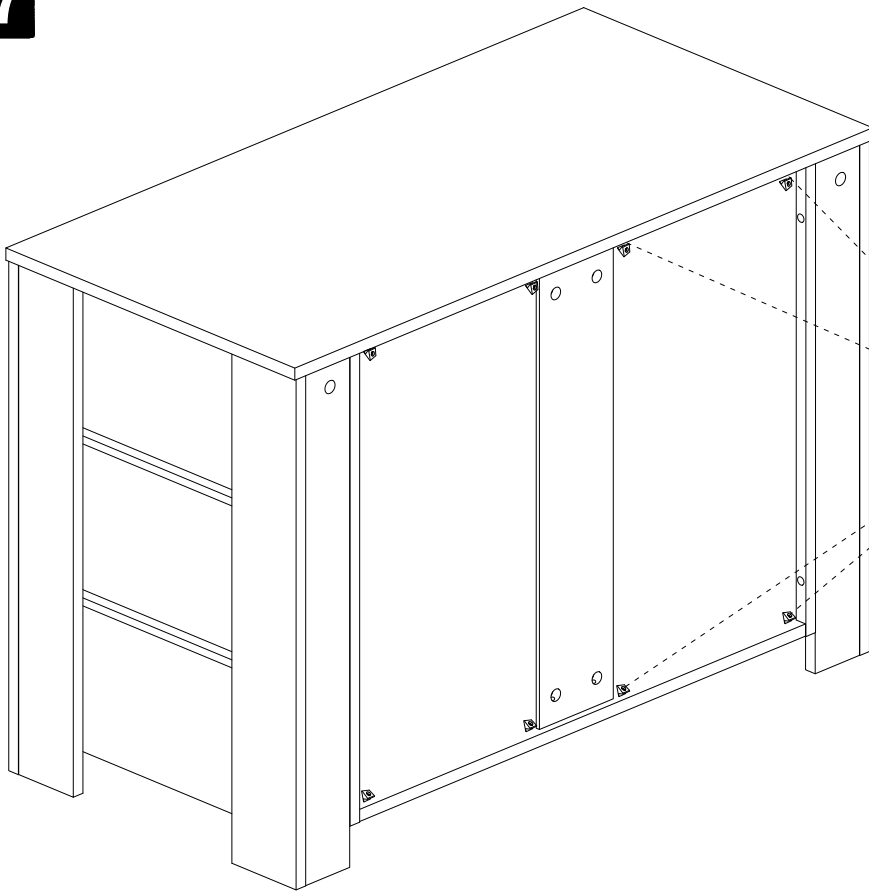
25





26



27

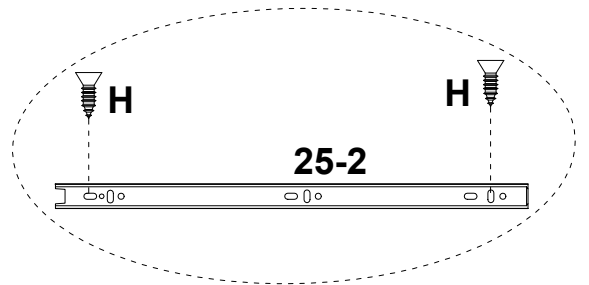
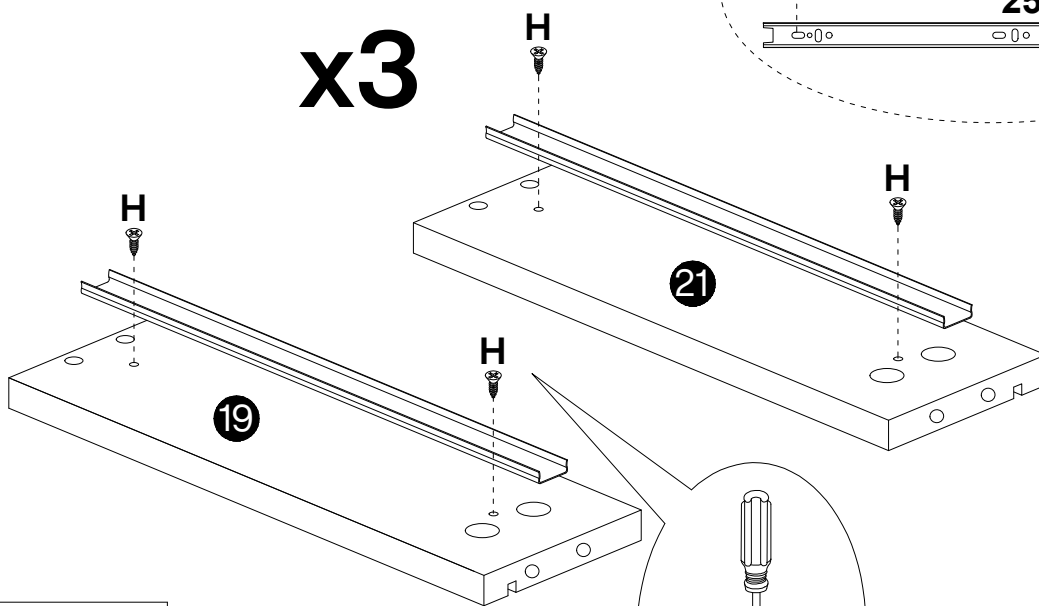




H	K
	
M3.5x14mm	
8 pcs	8 pcs

28

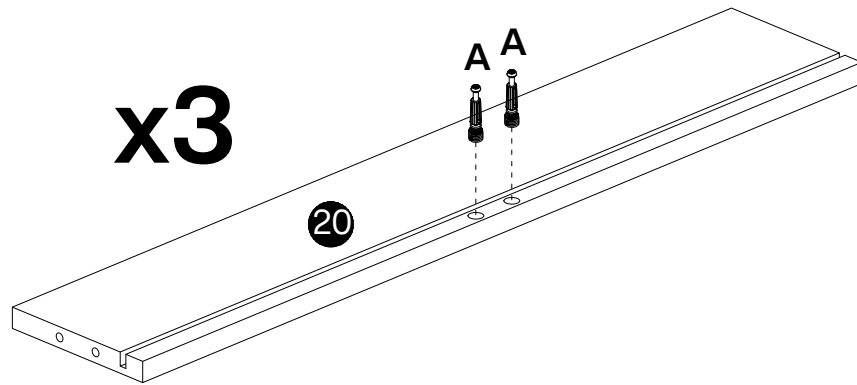
x3


x3



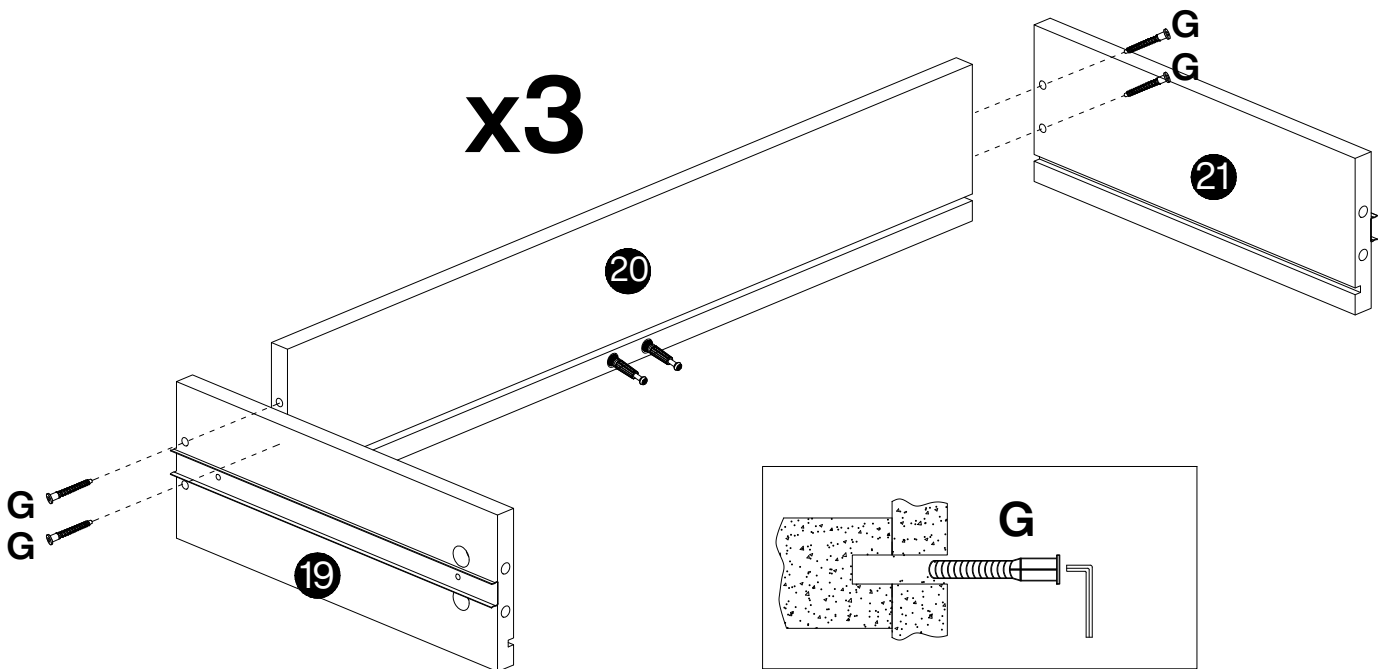
H	25-2
	
M3.5x14mm	300mm
12 pcs	6 pcs

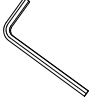

29



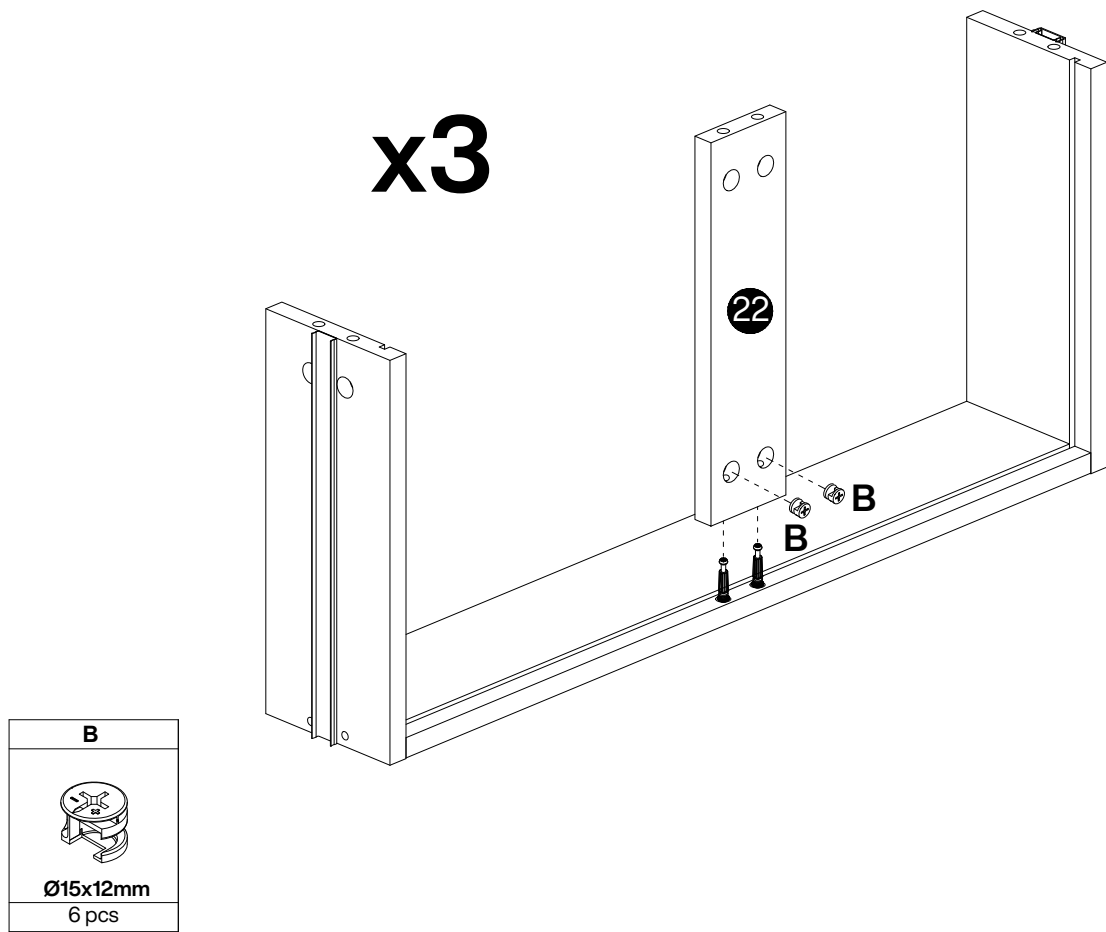
A

M6x40mm
6 pcs

30

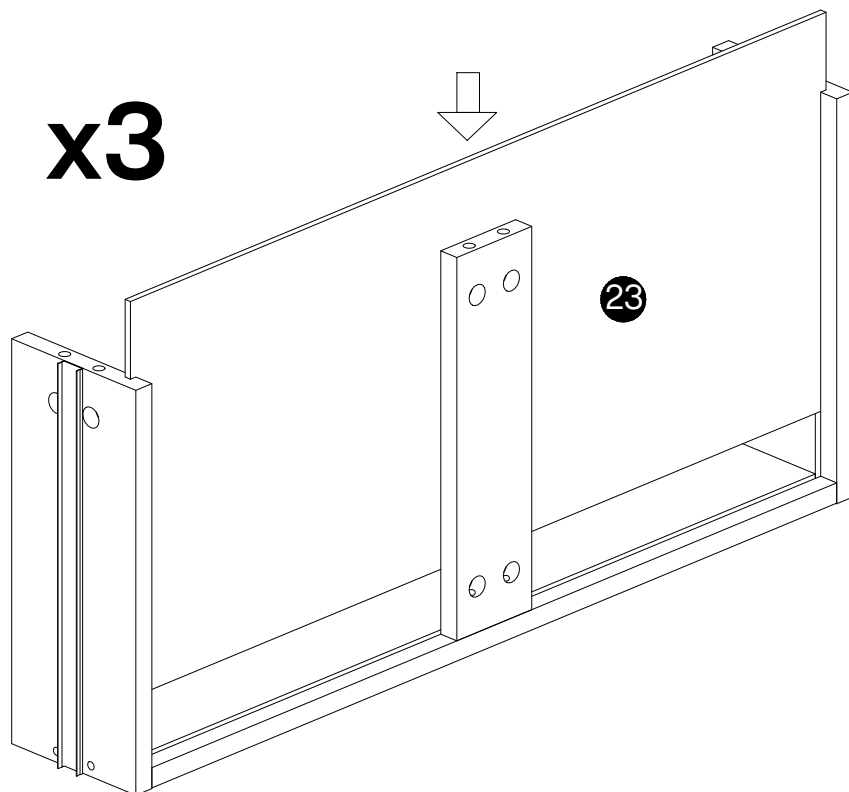


F	G
	
M3	M5x38mm
1 pc	12 pcs

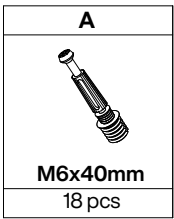
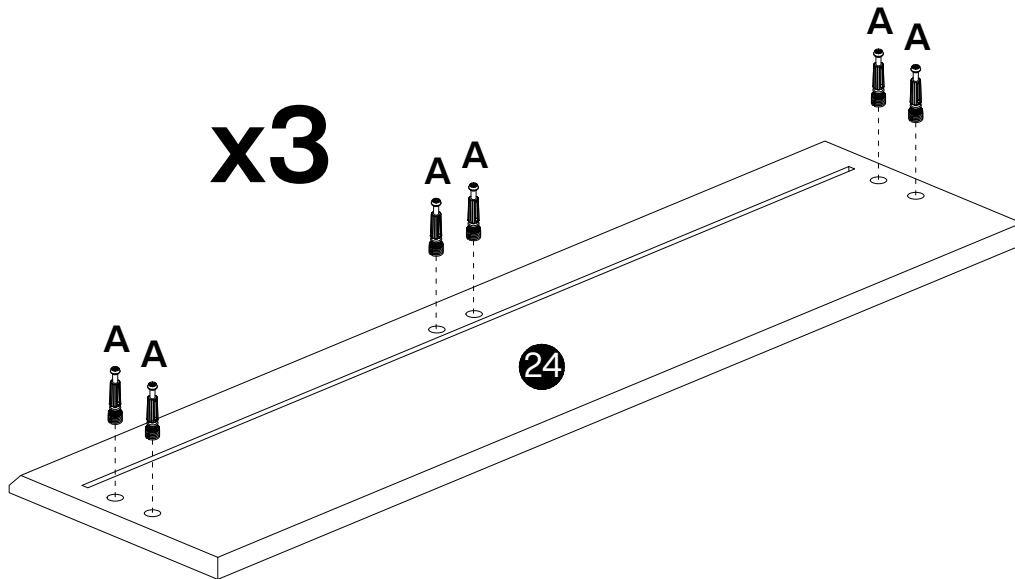
31



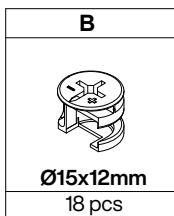
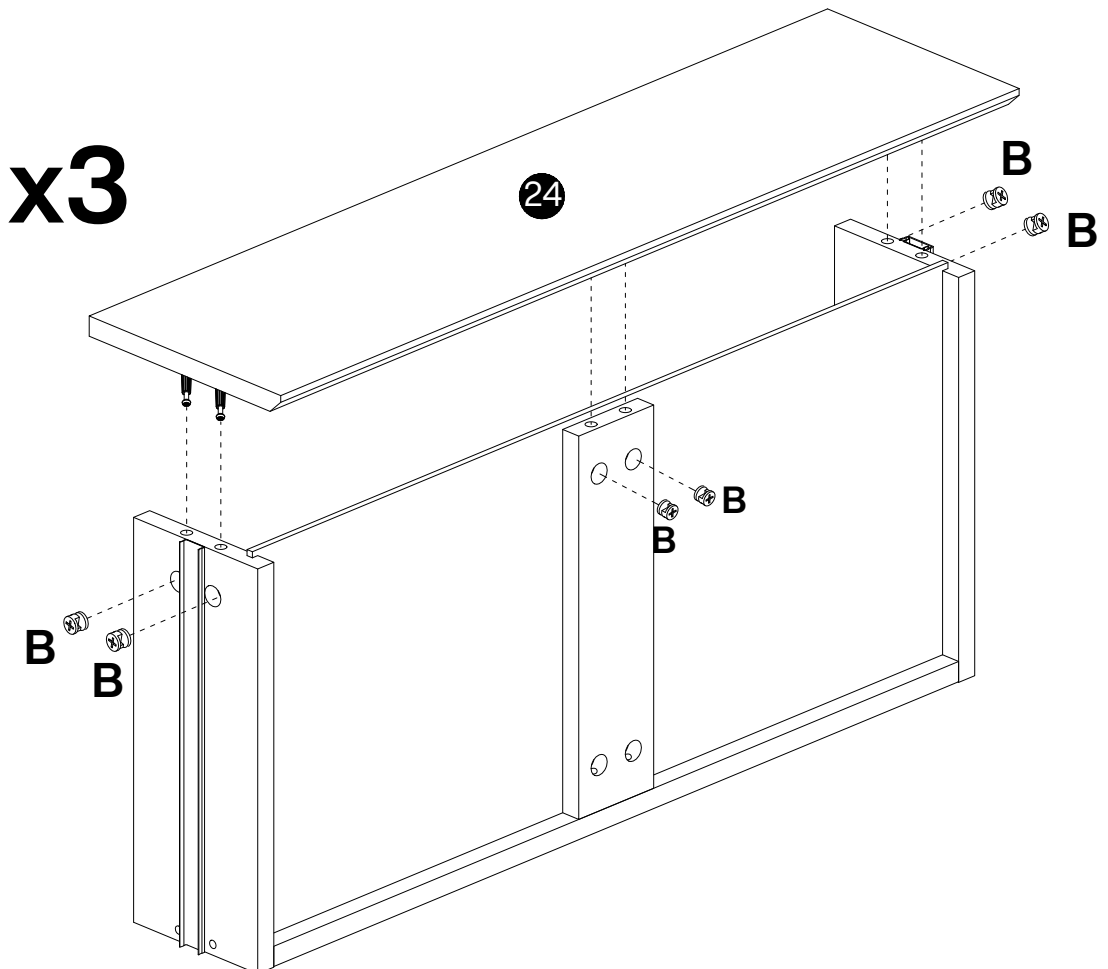
32

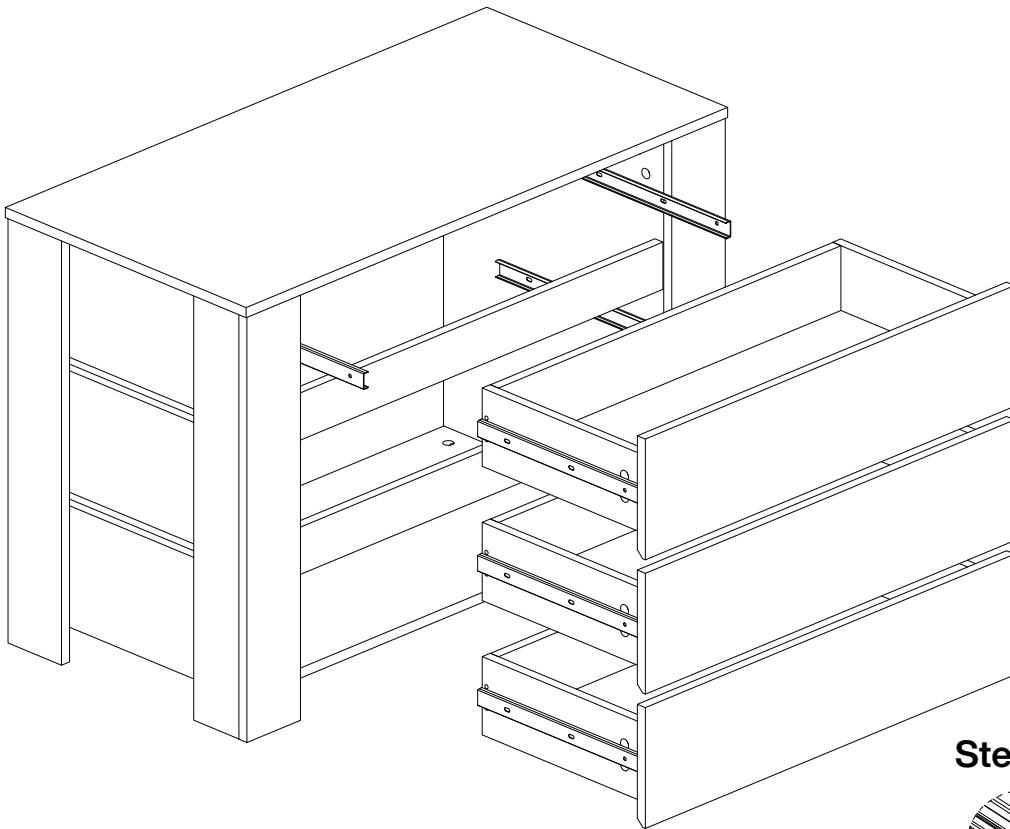


33

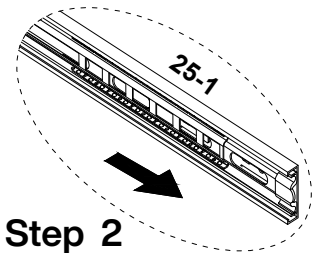


34

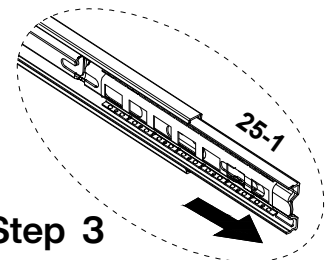




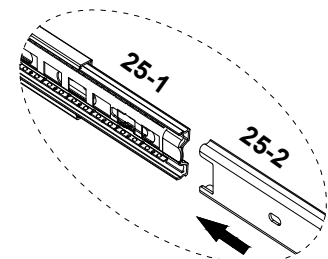
Step 1



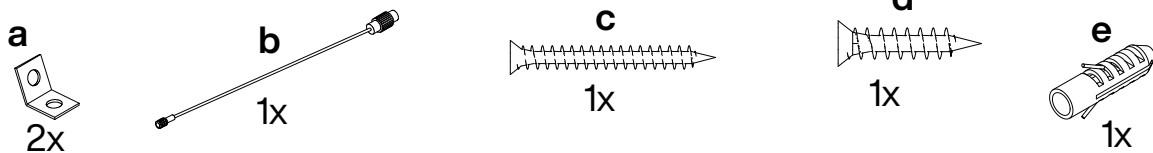
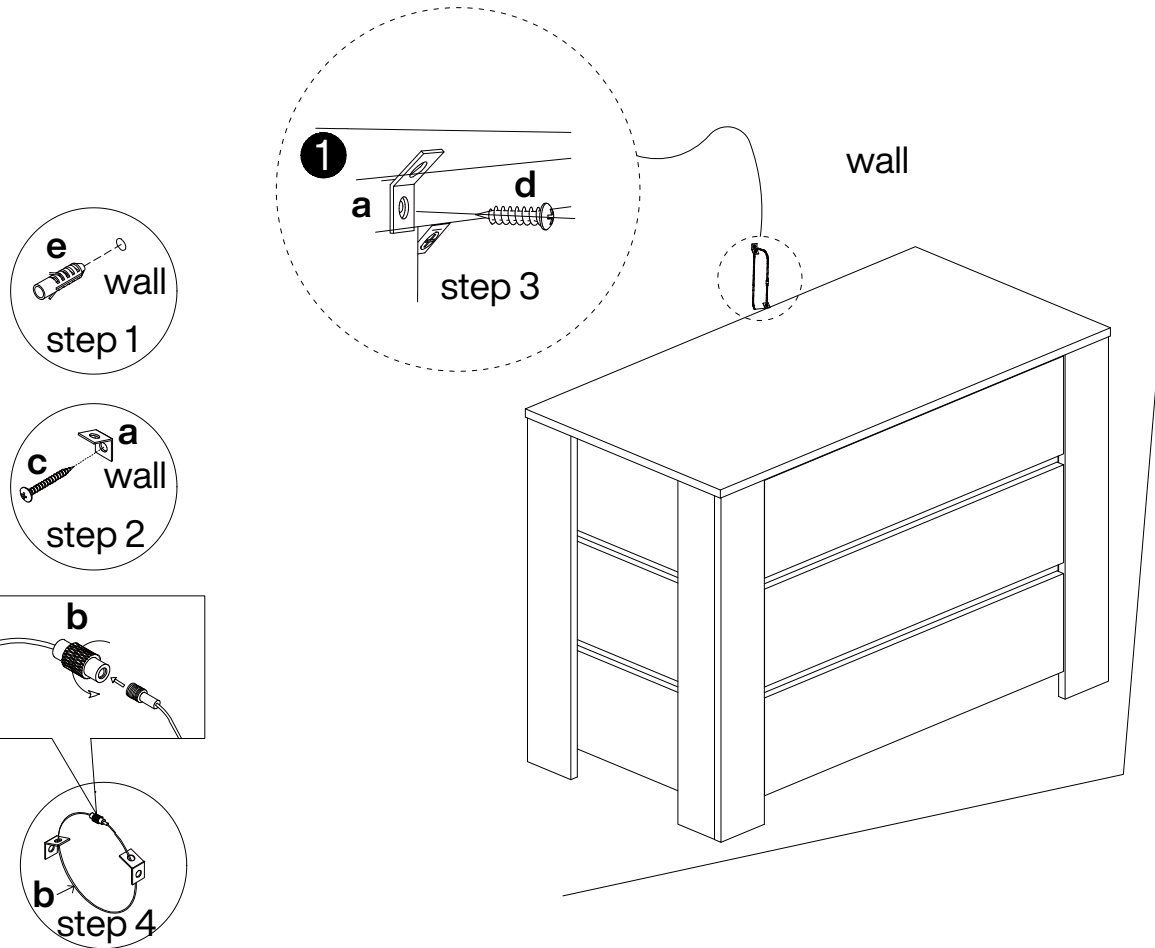
Step 2



Step 3



Before installation, slide the inner iron pieces of #25-1 to the outermost side. Then align it with #25-2 and gently push it inward to complete the slide installation.



Installation Steps:

1. Drill a hole on the wall, insert the expansion bolt (e) into the hole
2. Secure one bracket (a) into the expansion bolt (e) using the screw (c)
3. Position the furniture in place. Attach another bracket (a) (aligns with the bracket on the wall) to the back edge of unit top using the screw (d).
4. Thread the male end of the steel cable (b) through both brackets. Securely join the ends by turning the female connector clockwise.

Note:

Before installing the anti-tip kit, please determine where the furniture is to be placed and locate the center line of a wooden stud using a stud finder

For a concrete wall, ensure no steel bars inside it.

Thank you for your support !

