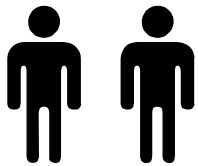
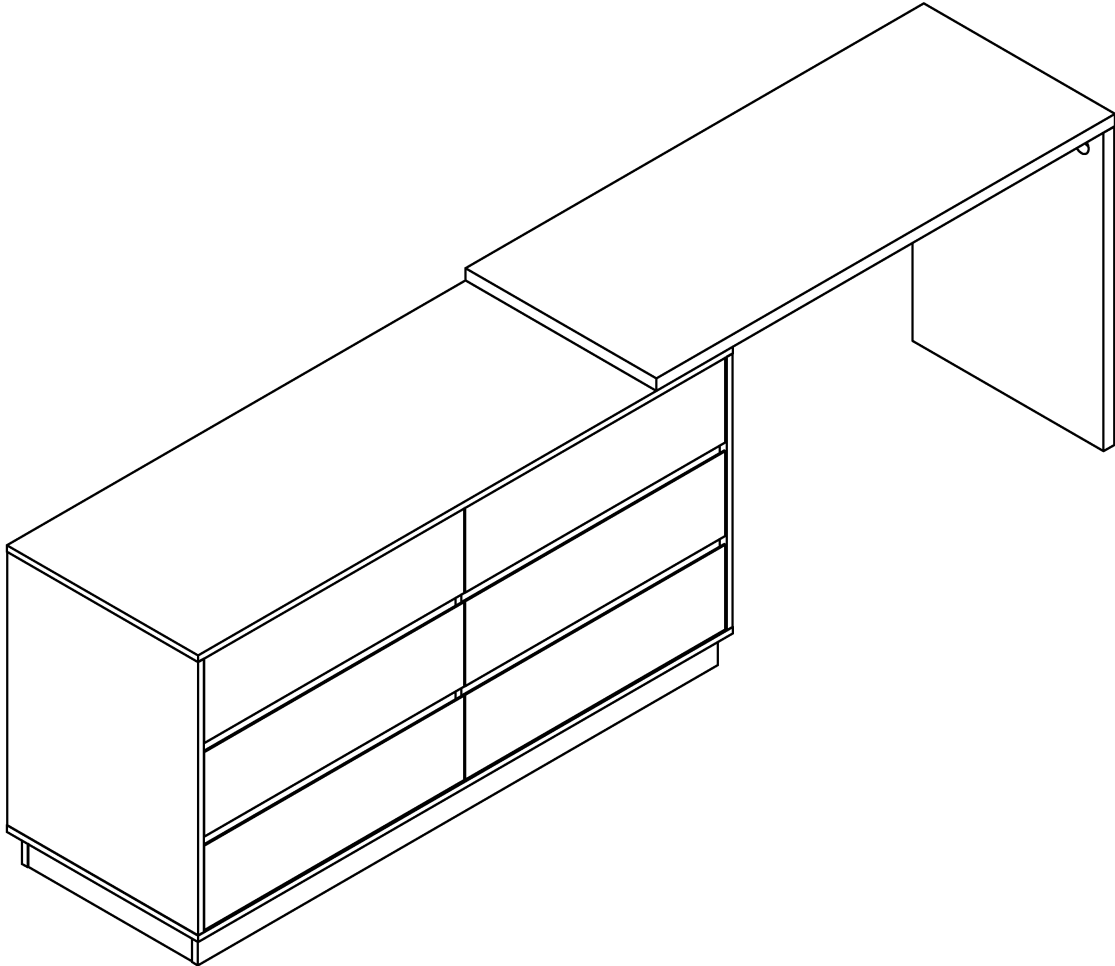


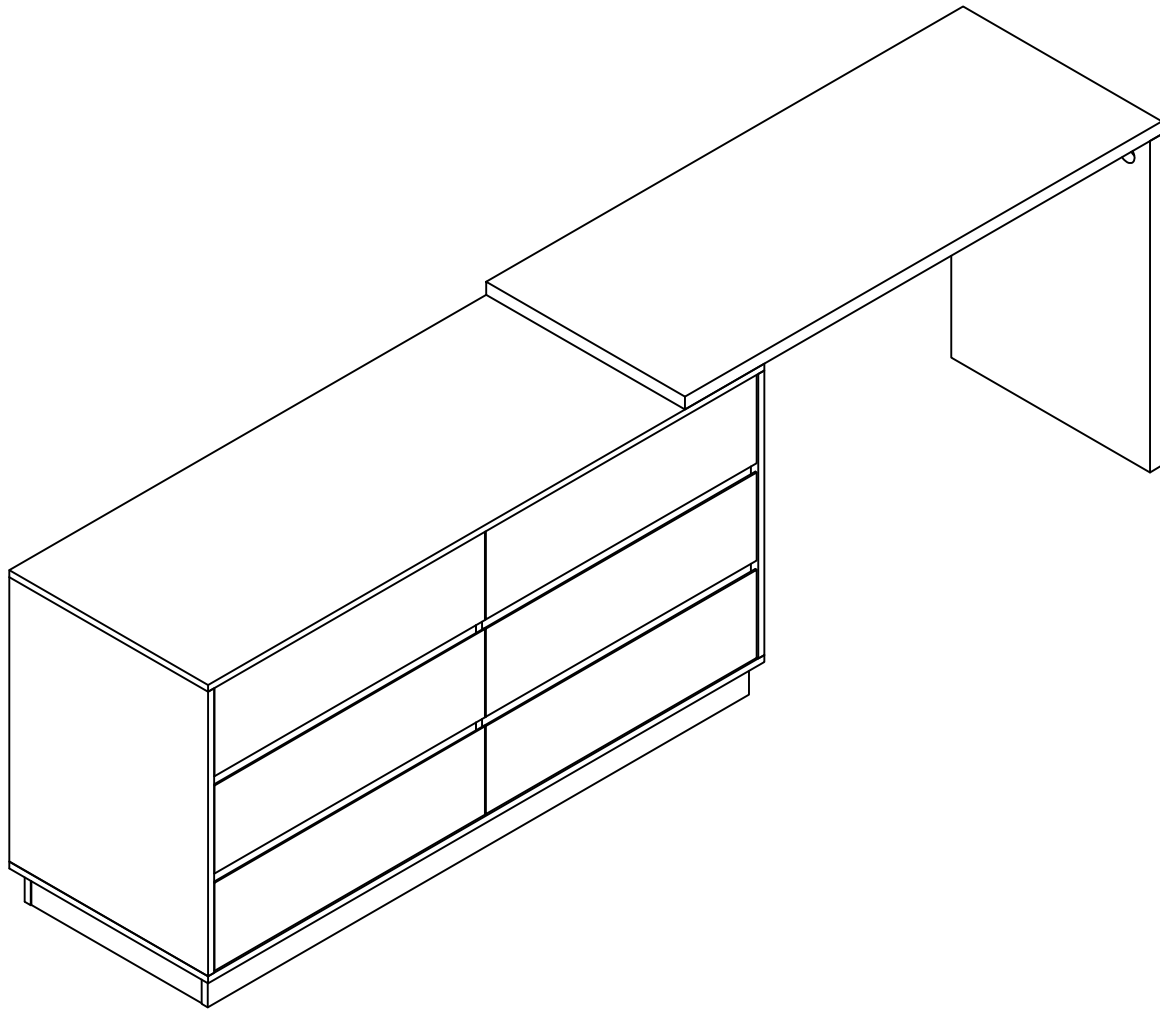
Installation Instructions



2 Persons

(W1400-2400)*D500*H750MM

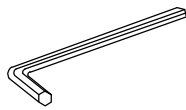
Notes: Don't tighten screws completely at first, just in case parts were assembled wrongly and need disassemble. Tighten screws at last when all parts are put together.



INSTALLATION MANUAL Tools You Will Need:



Adjustable wrench



Hexagon wrench



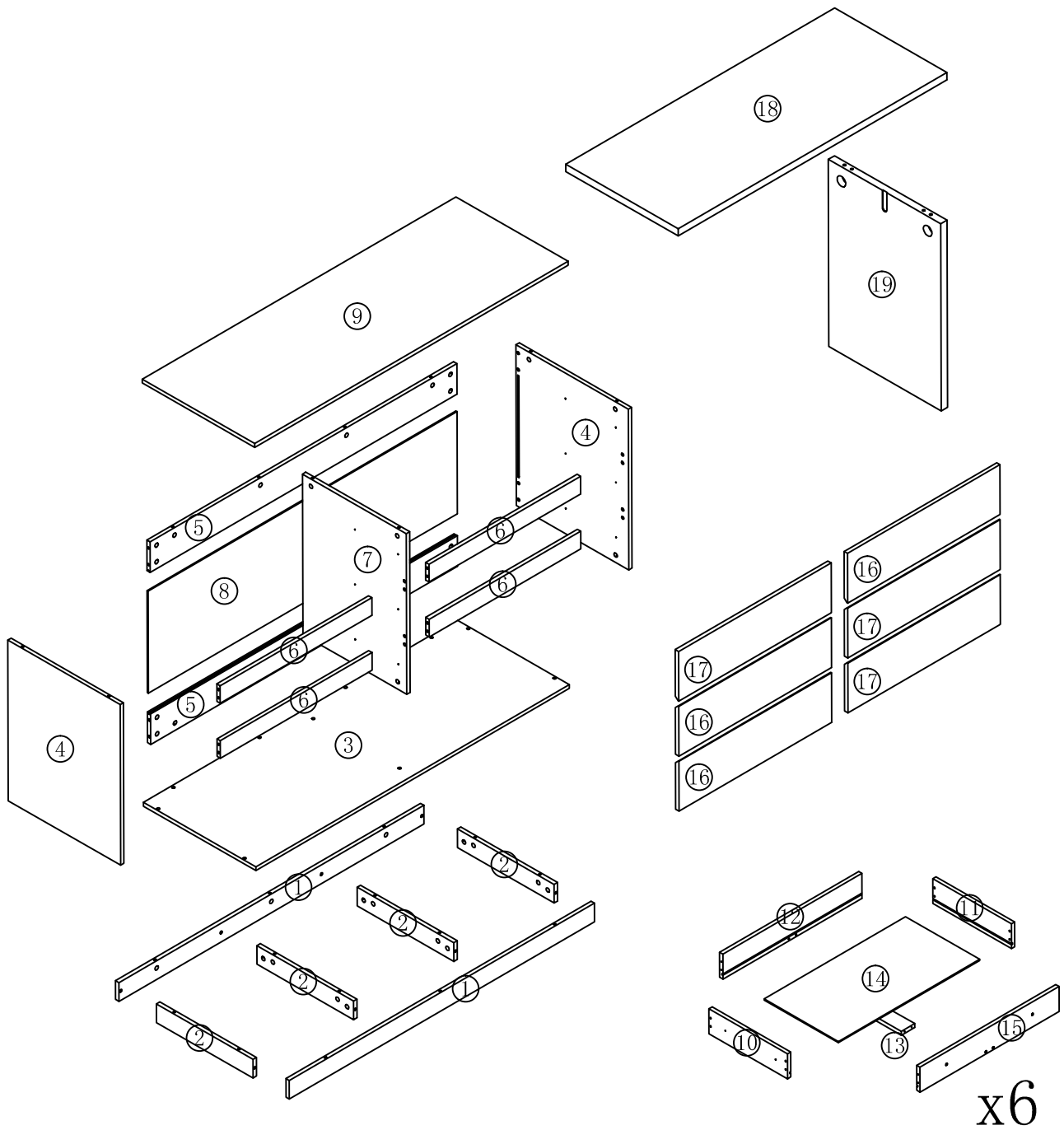
Philips Screwdriver

Before the Installation
















1. Do not throw away packing materials until assembly is complete for small parts may come loose inside the carton during shipment. If parts are missing, please contact us.
2. Assemble this item on a soft surface, such as carpet to protect the finish.
3. Proper assembly of this item requires 2 people.
4. Periodically check to ensure that all connections are tight.
5. It is recommended that installation of the product be done by a qualified licensed plumber.

Care and Cleaning

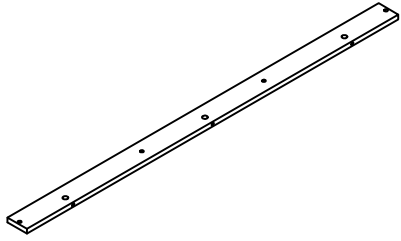
1. To protect the finish, avoid use chemicals and household cleaners.
2. All hot serving dishes should be placed on a pad.
3. Any liquid spilled onto the top should be up immediately with a damp cloth.



x6

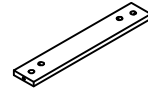
A 66PCS  φ6*35mm	B 66PCS  φ15*10mm	C 60PCS  φ3.5*14mm	D 6PCS 	E 12PCS  M6*25mm	F 12PCS  12"	G 2PCS  φ8*50mm	H 72PCS  φ3.5*35mm
I 2PCS  M8*75mm	J 2PCS 	K 2PCS  M8	L 2PCS  φ38	M 1PC  80*80*20	N 1PC  M8	O 8PCS 	

1



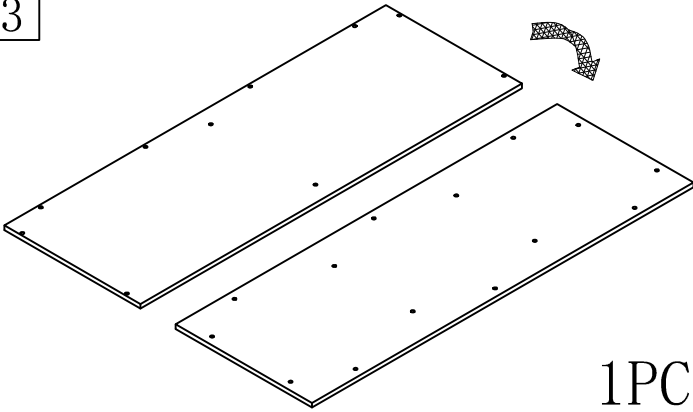
2PCS

2



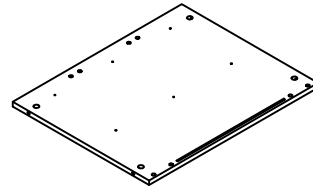
4PCS

3



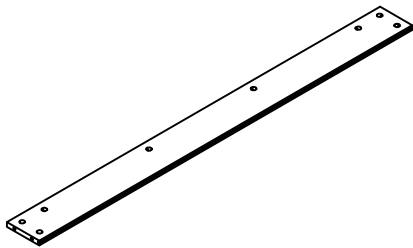
1PC

4



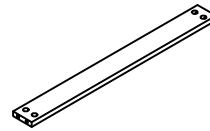
2PCS

5



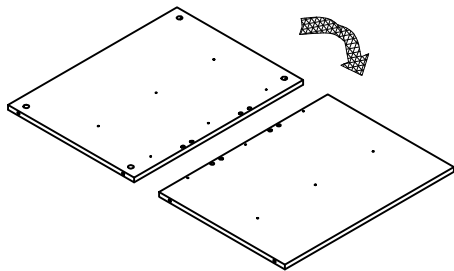
2PCS

6



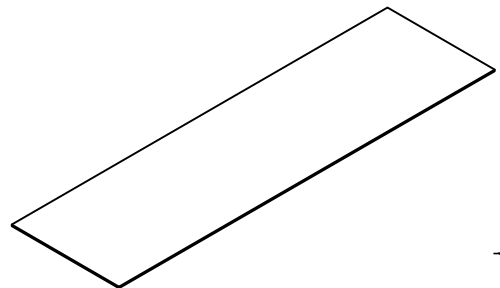
4PCS

7



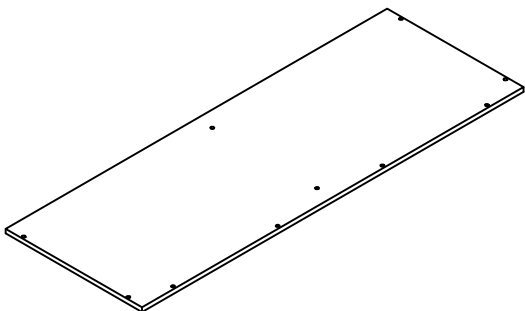
1PC

8



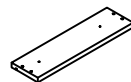
1PC

9



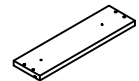
1PC

10

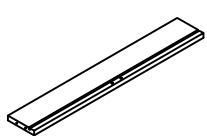
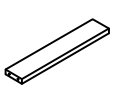
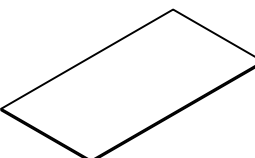
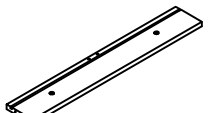
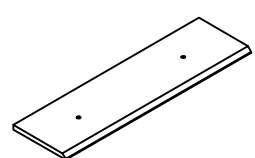
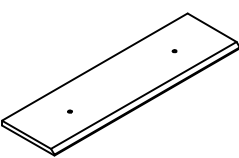
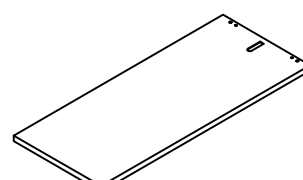
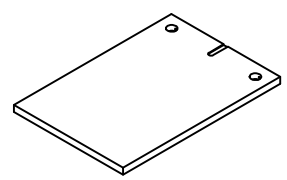


6PCS

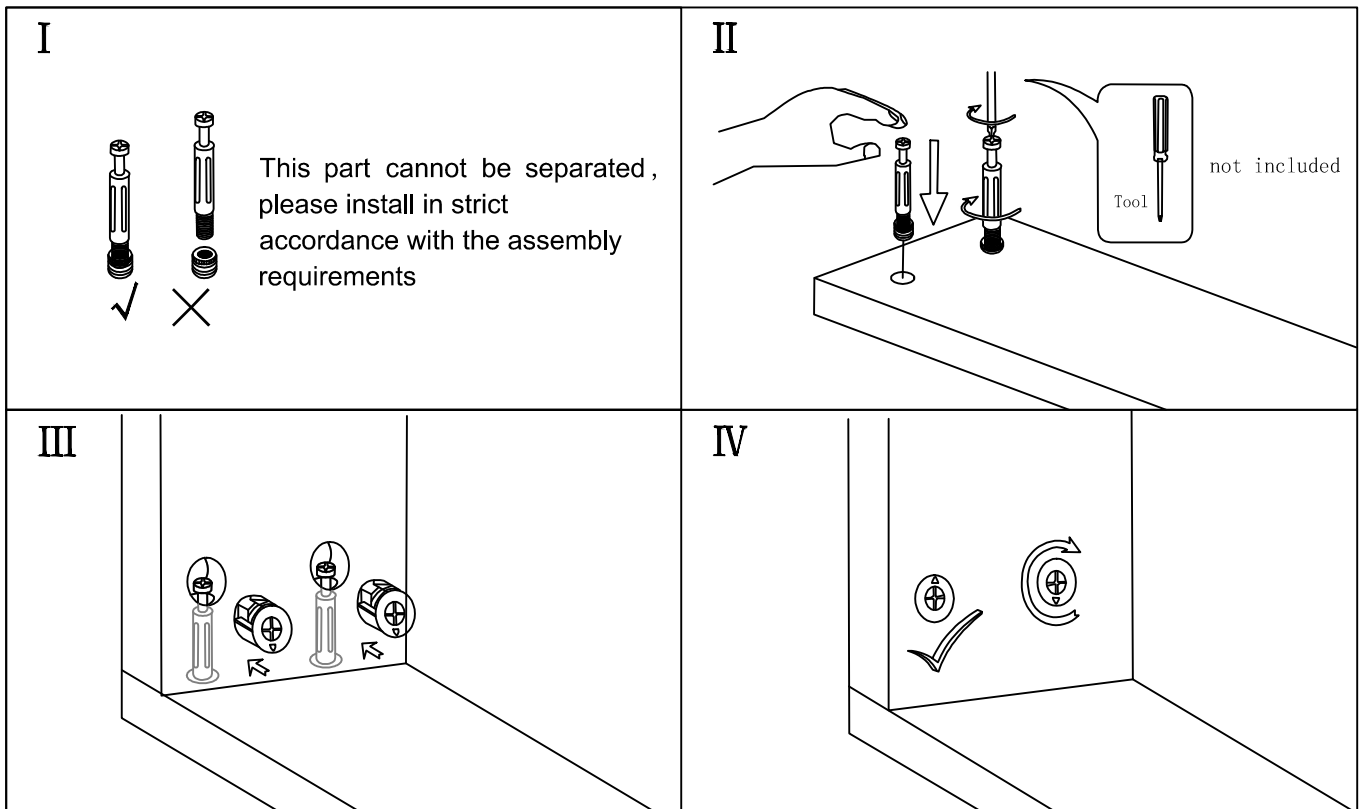
11



6PCS

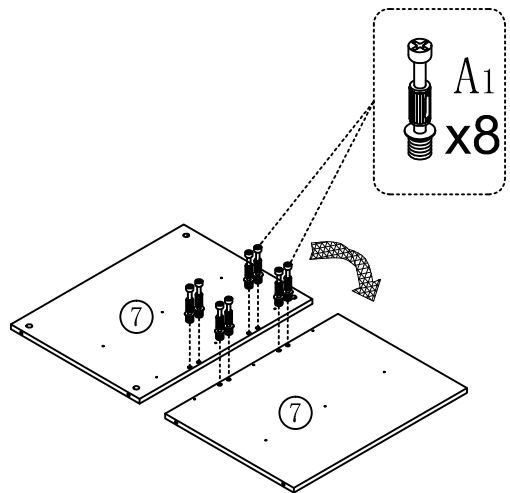
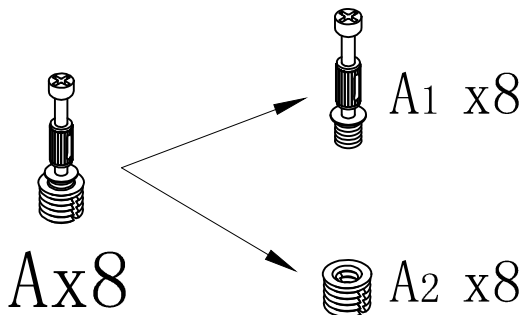
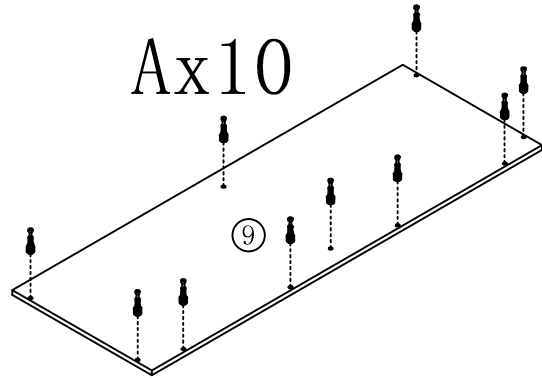
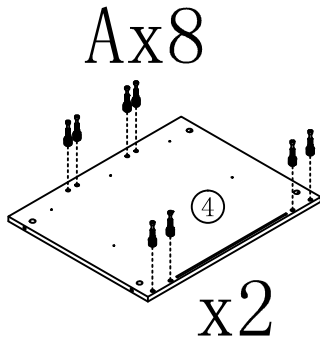
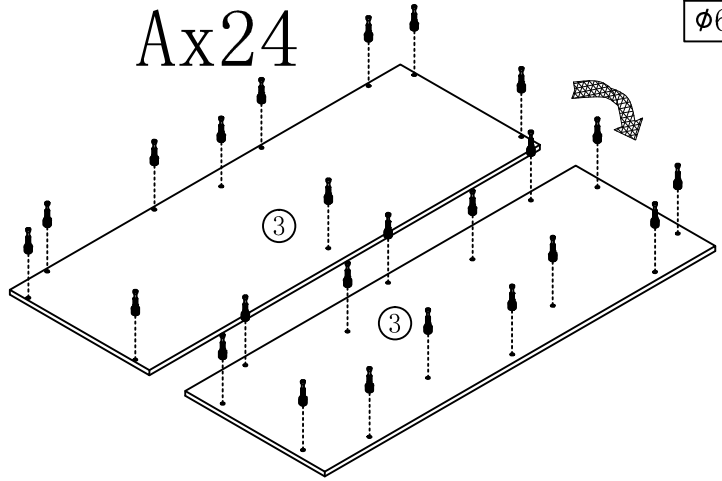
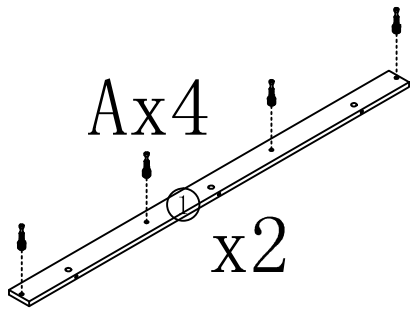
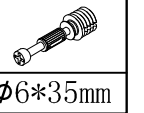
<p>12</p>  <p>6PCS</p>	<p>13</p>  <p>6PCS</p>	<p>14</p>  <p>6PCS</p>	<p>15</p>  <p>6PCS</p>
<p>16</p>  <p>3PCS</p>	<p>17</p>  <p>3PCS</p>	<p>18</p>  <p>1PC</p>	<p>19</p>  <p>1PC</p>

"A" Hardware installation example



Step 1

A 66PCS



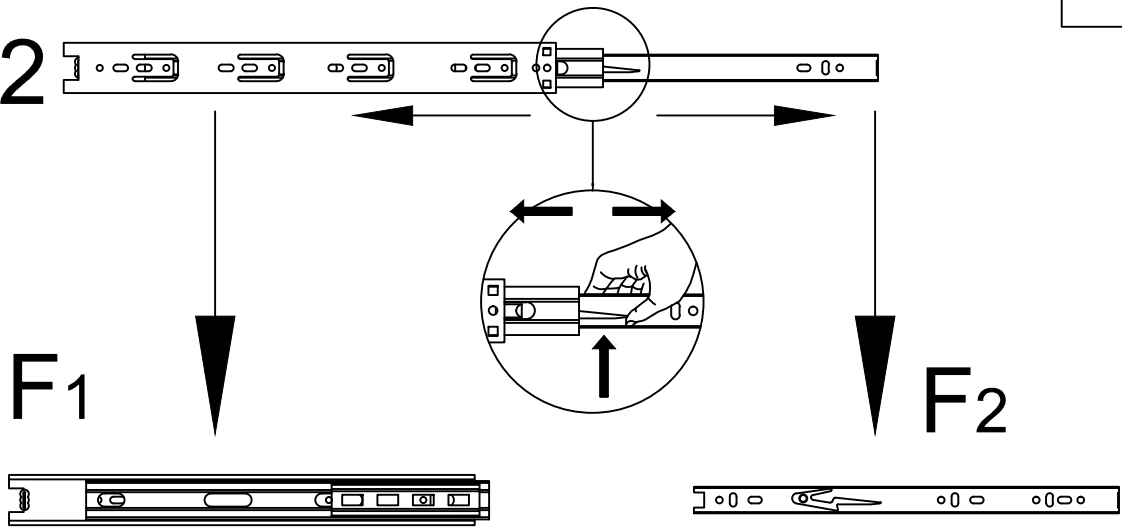
Step 2

F 12PCS



12"

Fx12



Step 3

C 24PCS

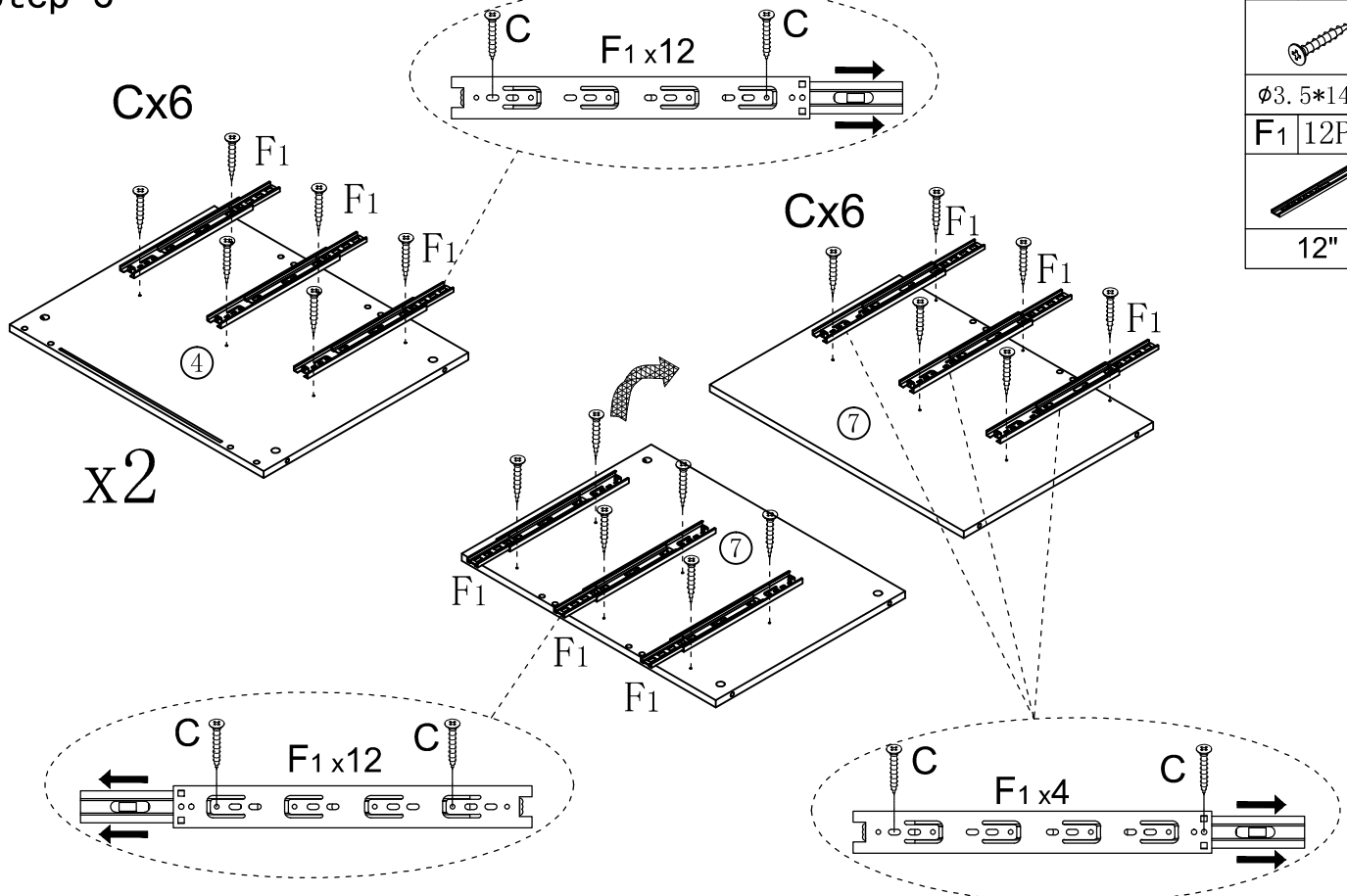


Ø3.5*14mm

F1 12PCS



12"



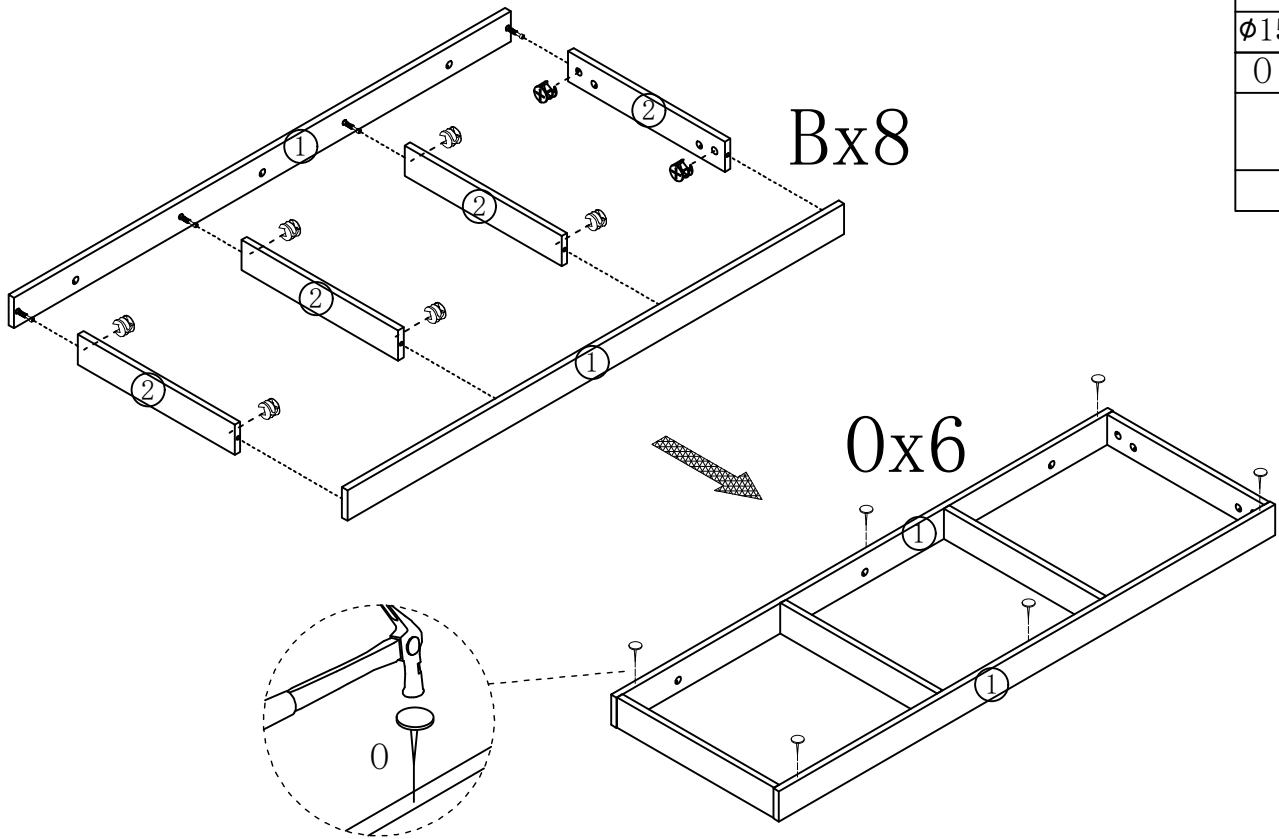
Step 4

B 8PCS



Ø15*10mm

O 6PCS

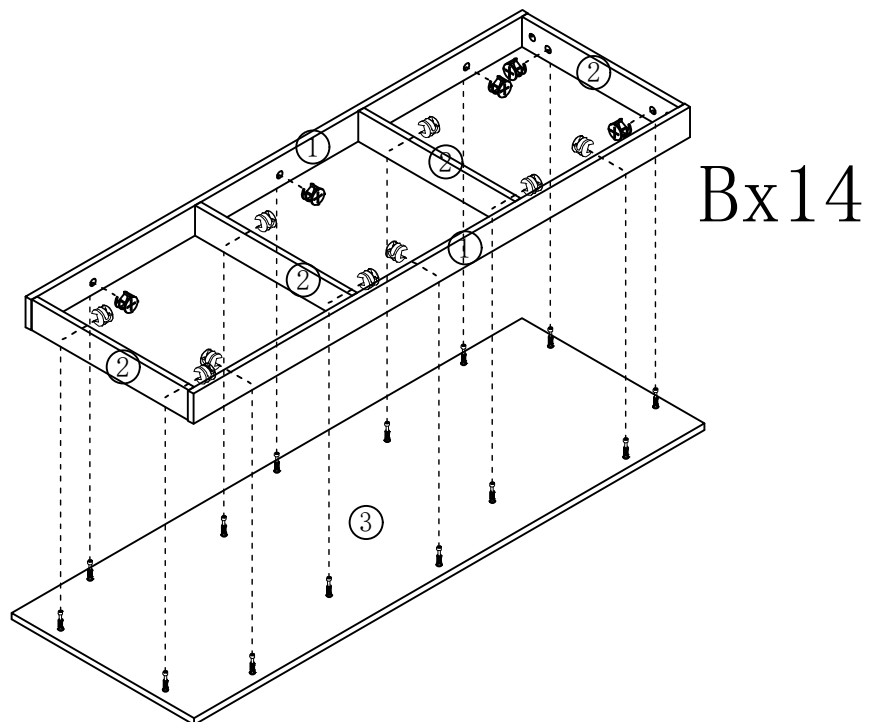


Step 5

B 14PCS



Ø15*10mm

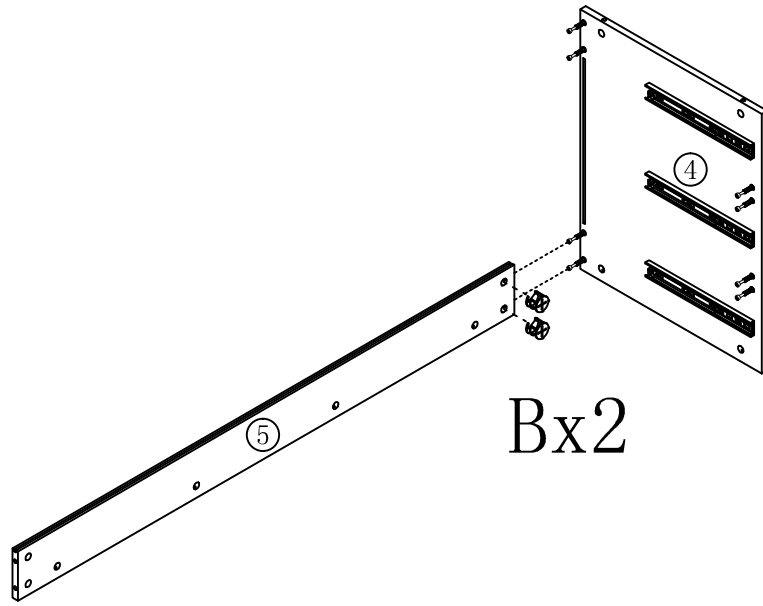


Step 6

B 2PCS



Ø15*10mm

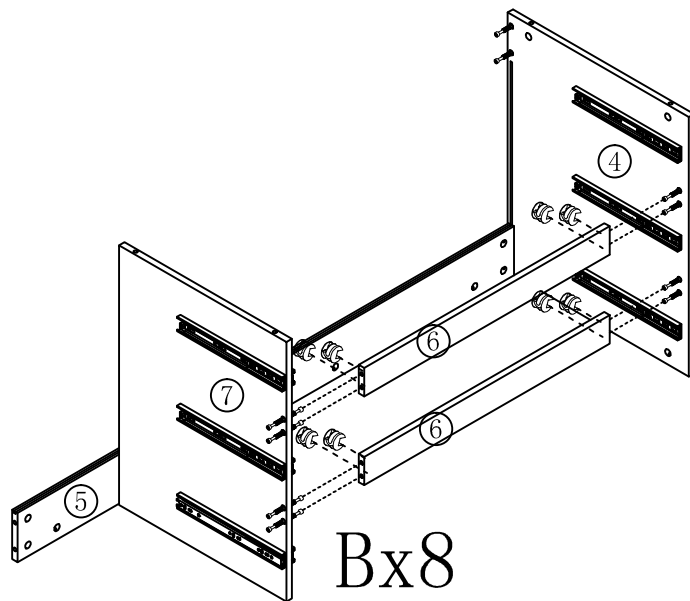


Step 7

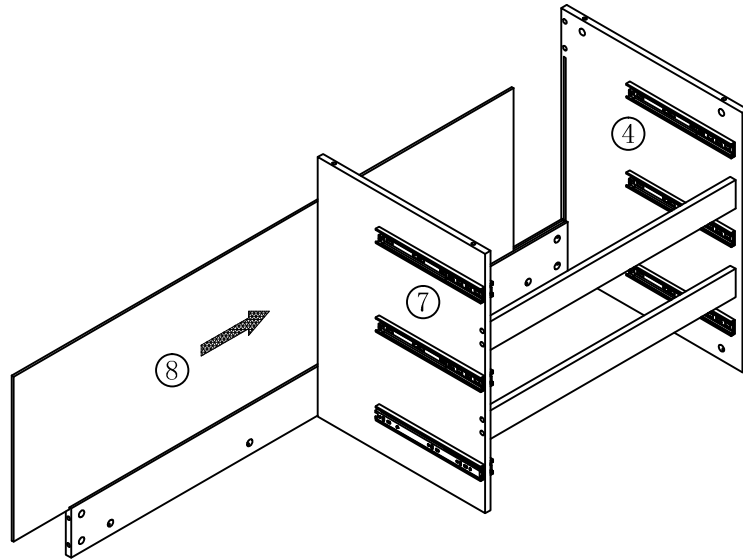
B 8PCS




Ø15*10mm

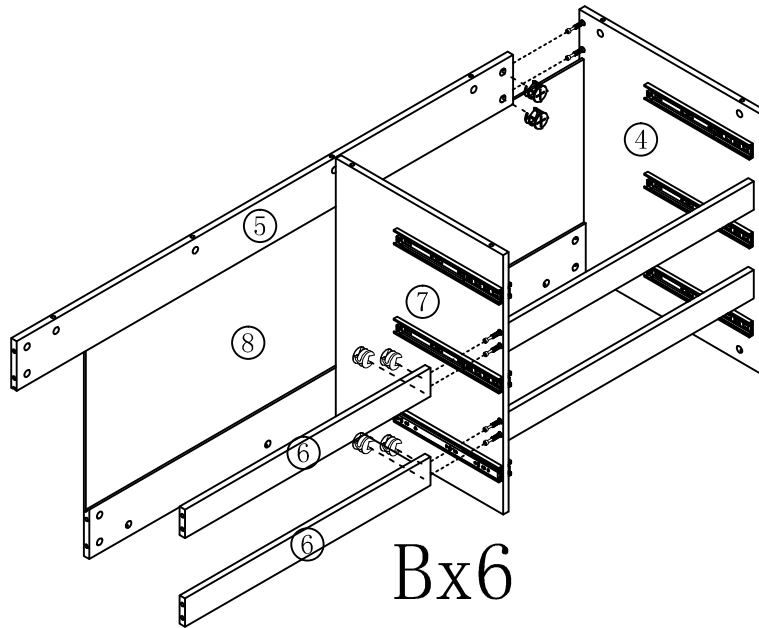


Step 8



Step 9

B	6PCS
	
Ø15*10mm	

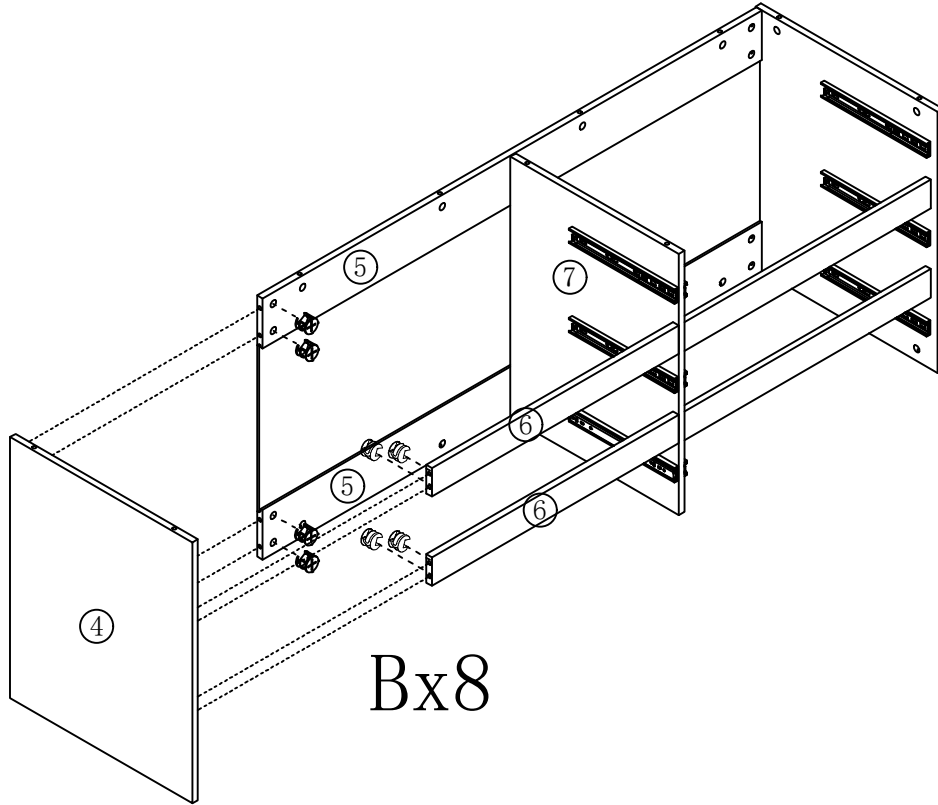


Step 10

B 8PCS



Ø15*10mm



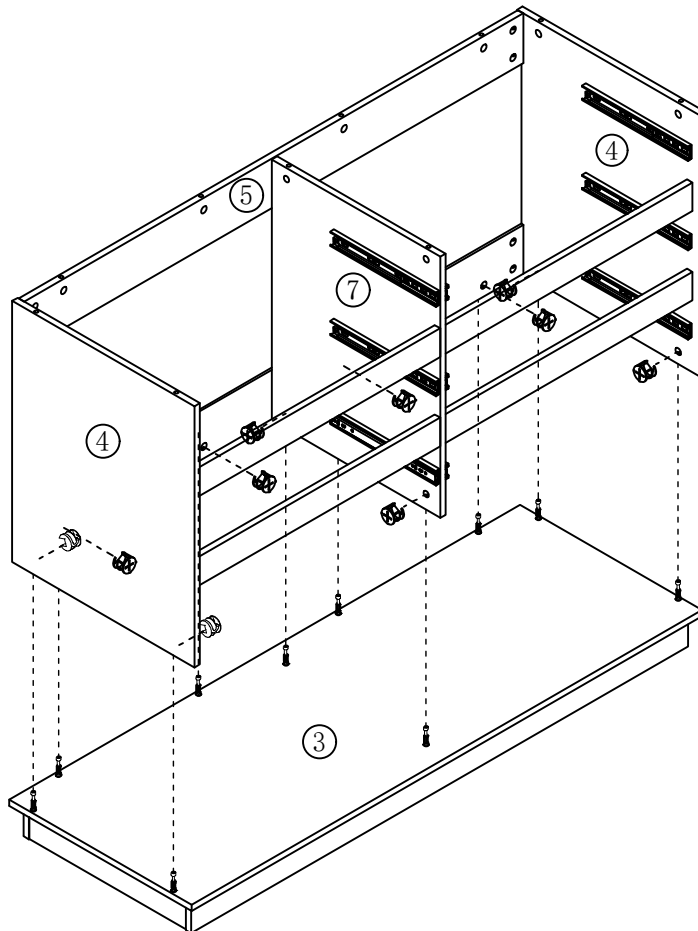
Bx8

Step 11

B 10PCS



Ø15*10mm



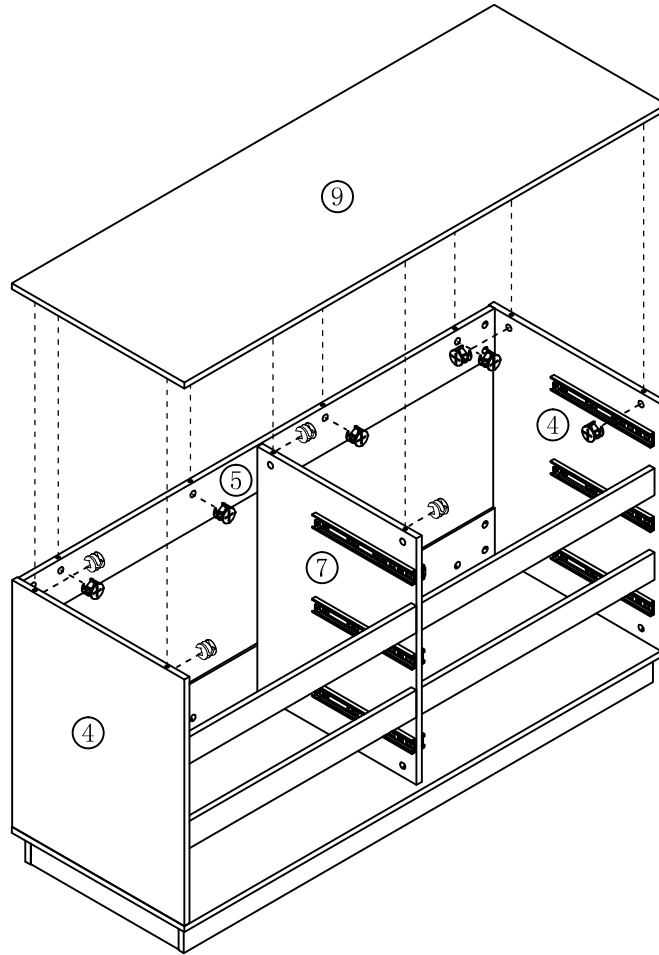
Bx10

Step 12

B 10PCS



Ø15*10mm



Bx10

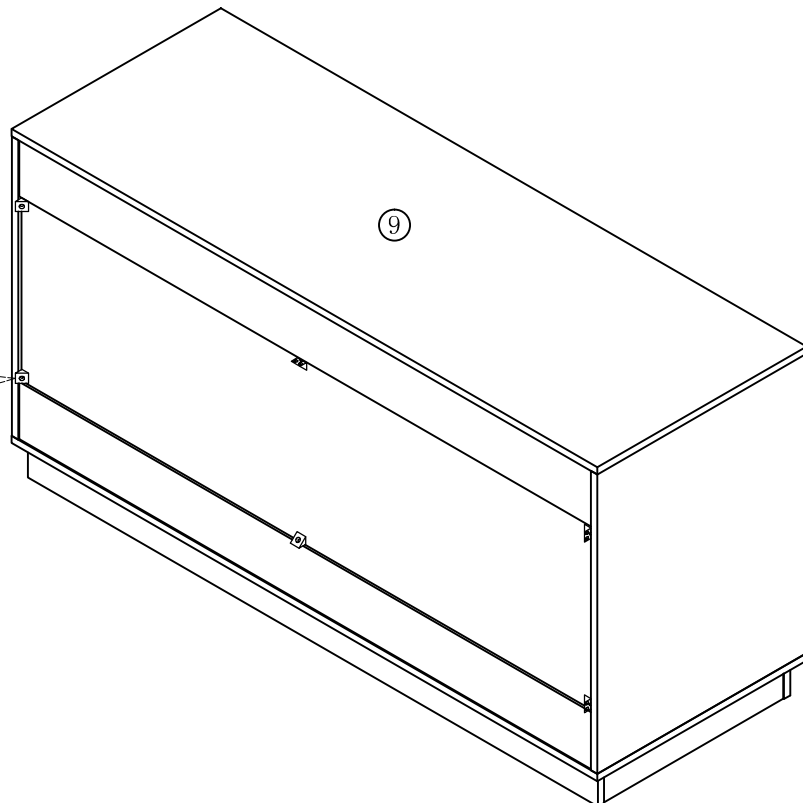
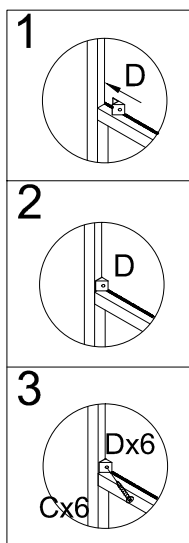
Step 13

C 6PCS





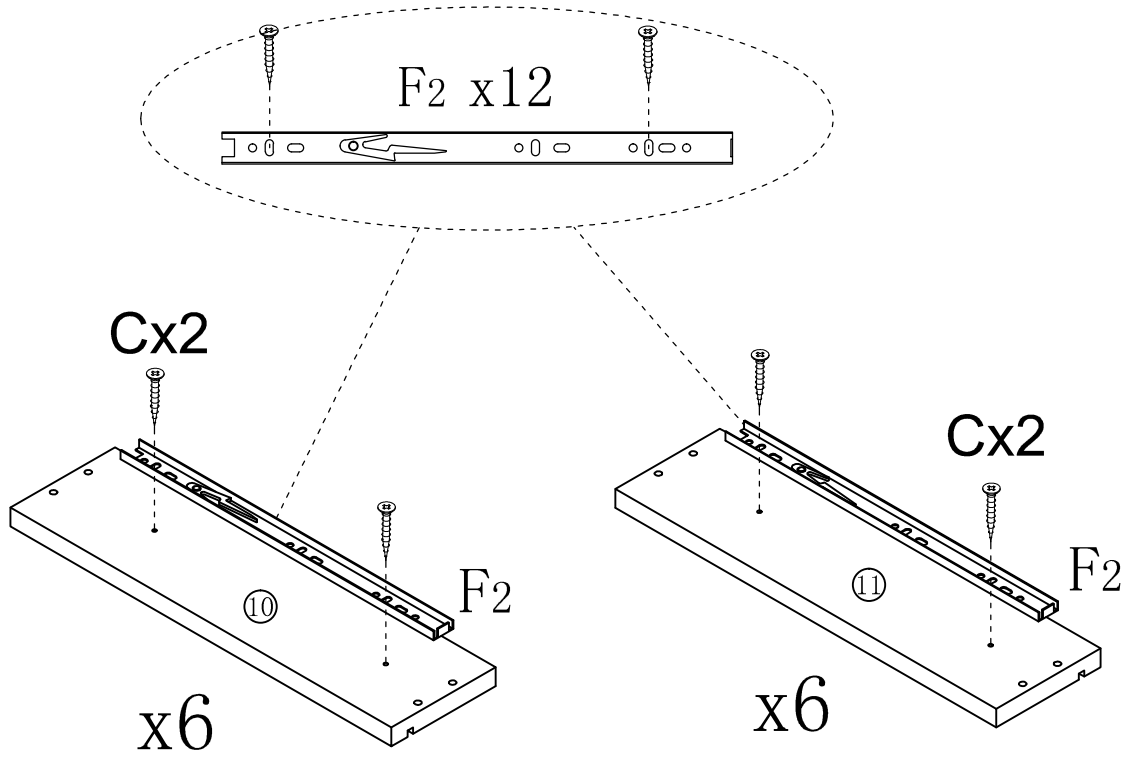
Ø3.5*14

D 6PCS




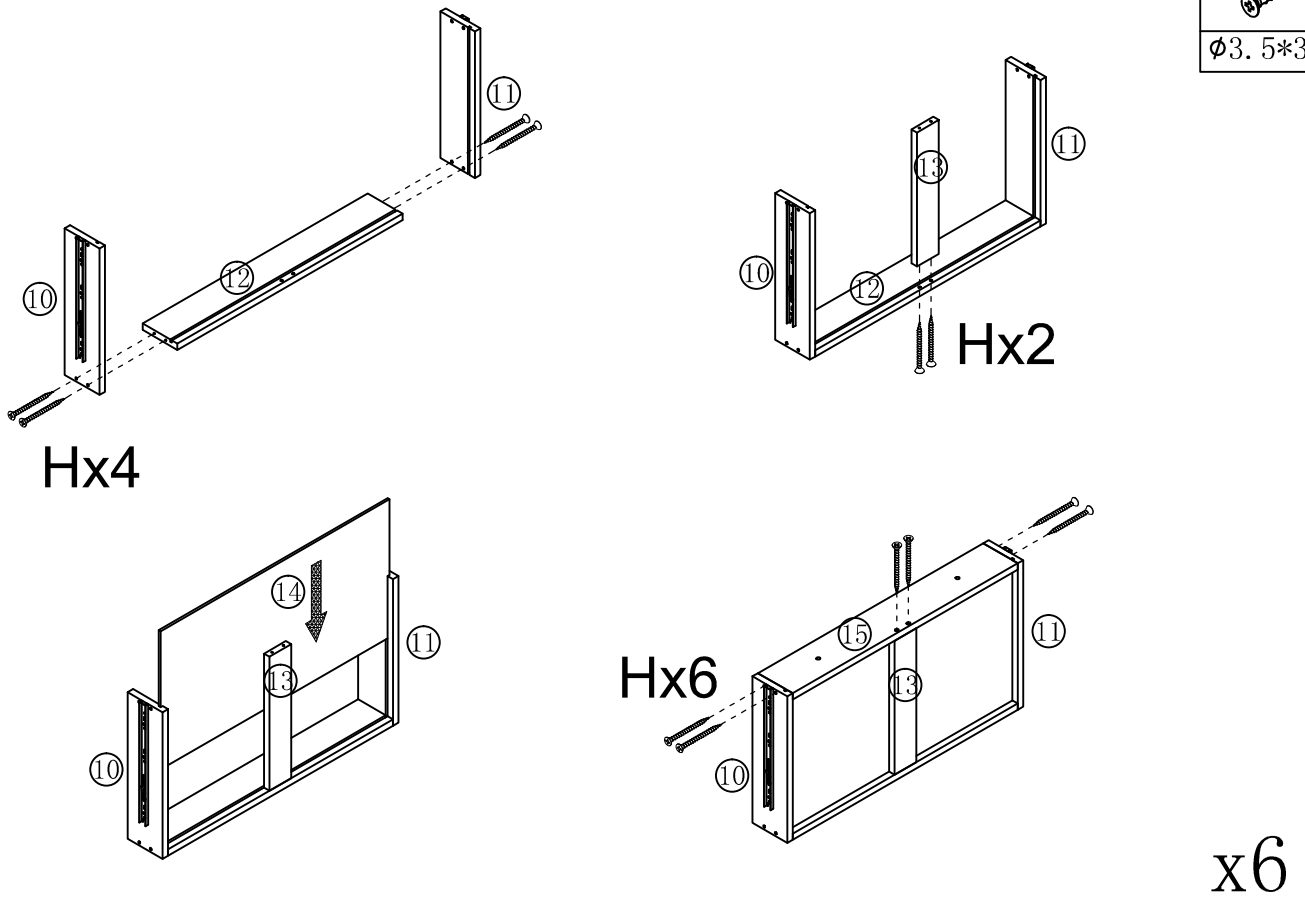
Step 14

C	24PCS
	
Ø3.5*14	
F2	12PCS
	
12"	

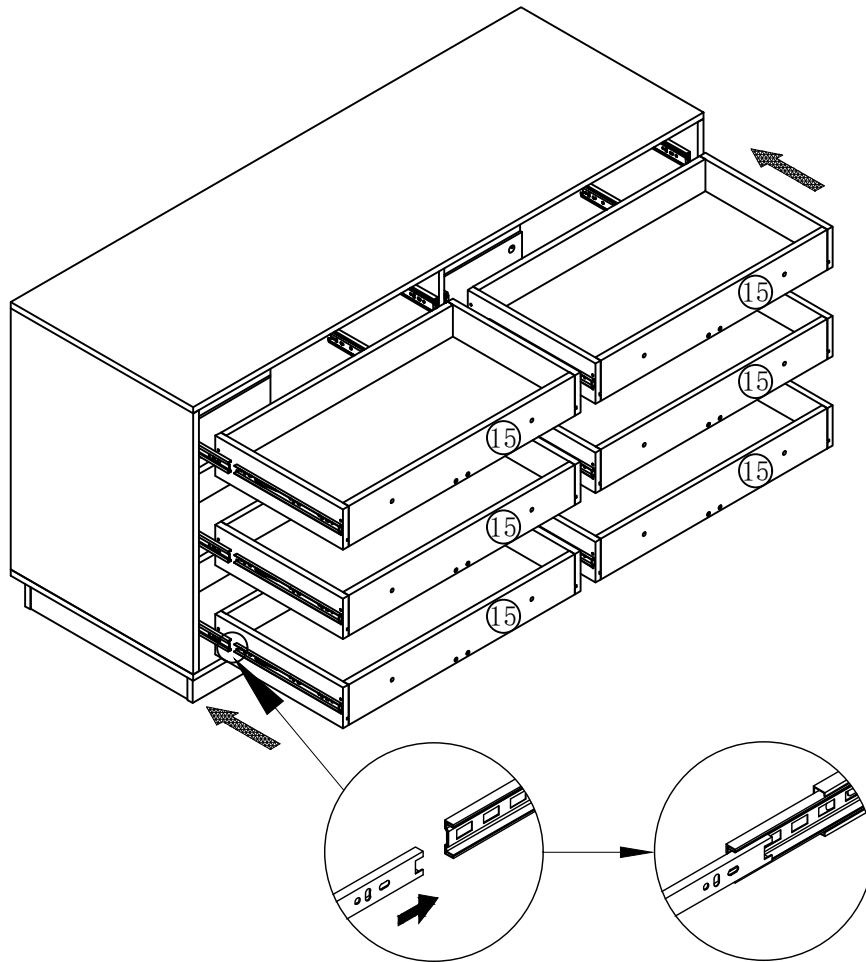


Step 15


H	72PCS
	
Ø3.5*35	

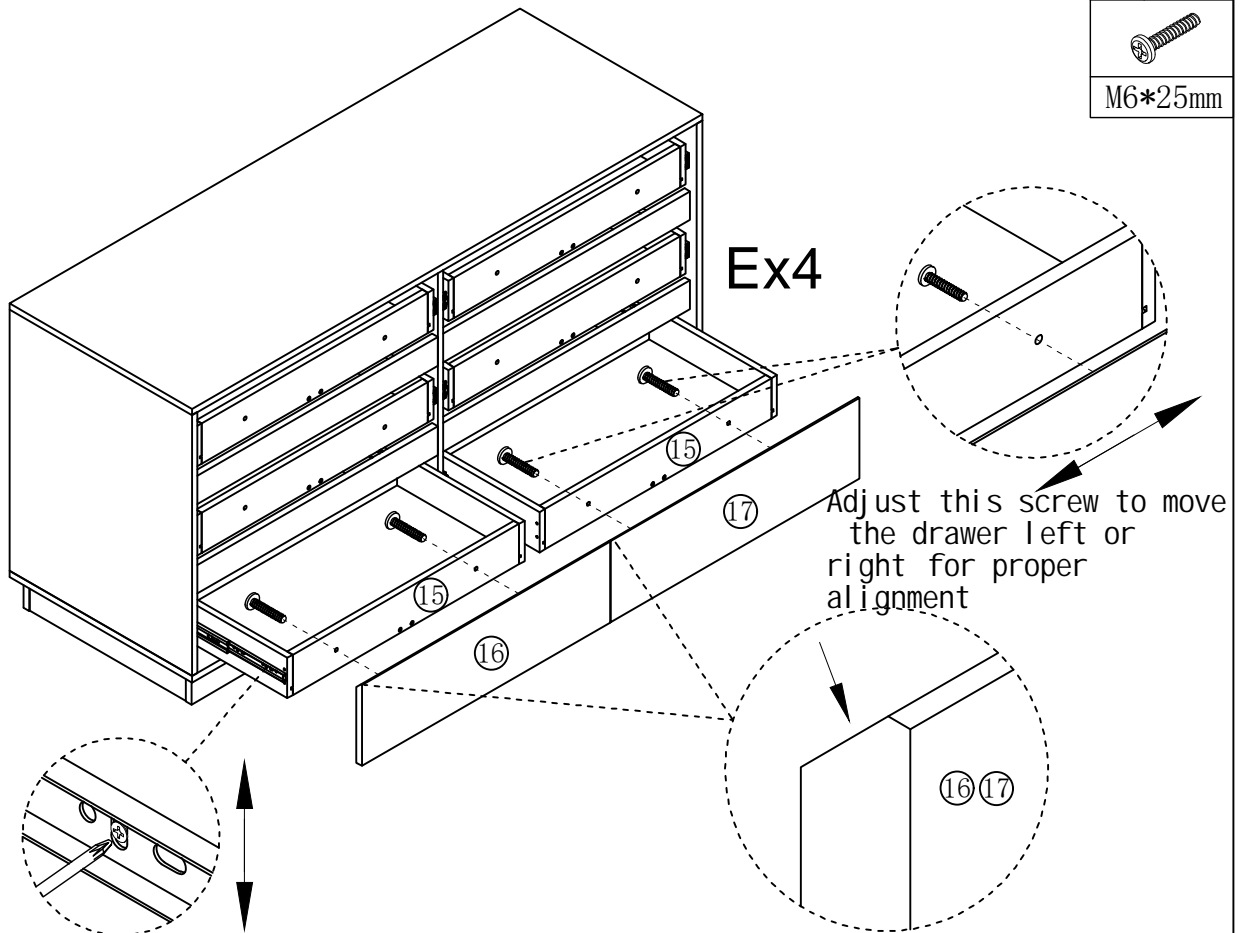


Step 16



Step 17

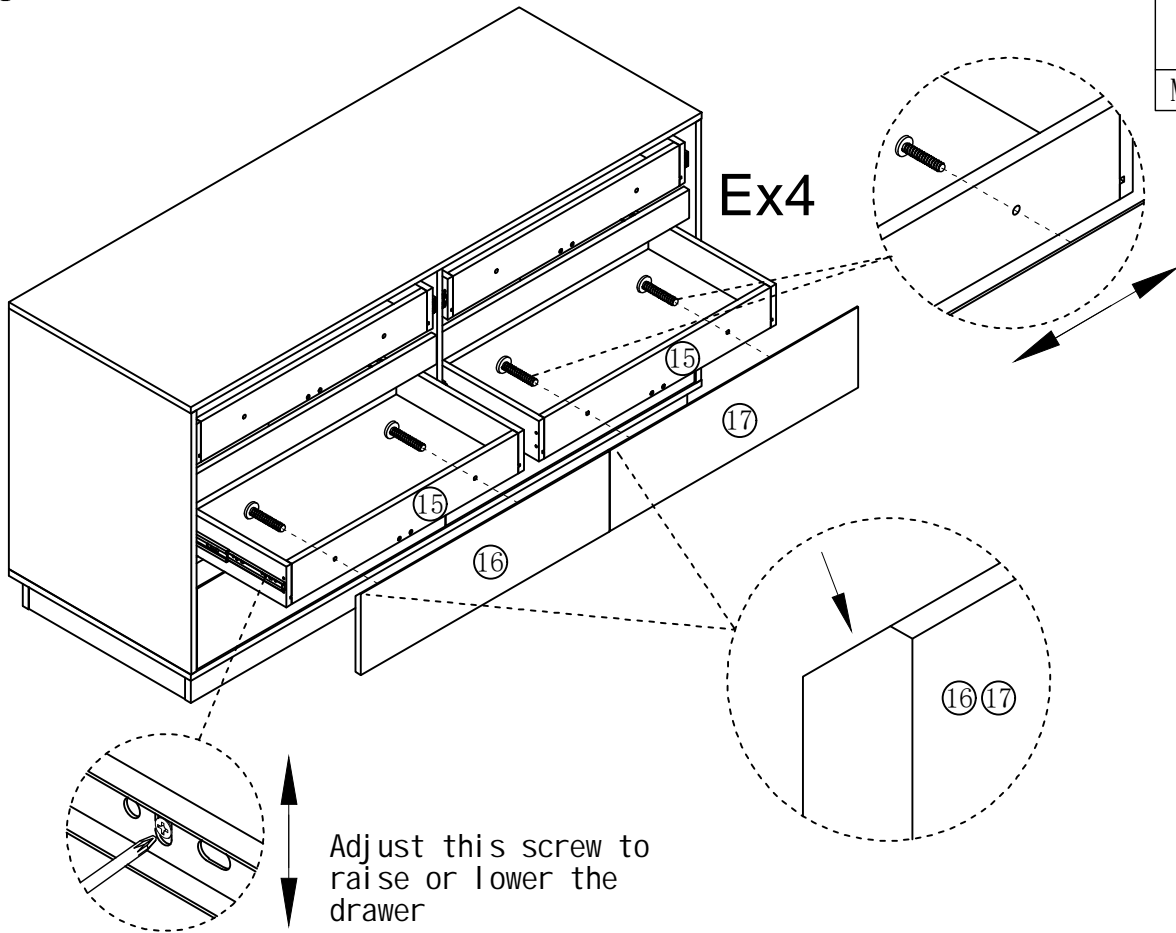
E	4PCS
	
M6*25mm	



Step 18

E 4PCS

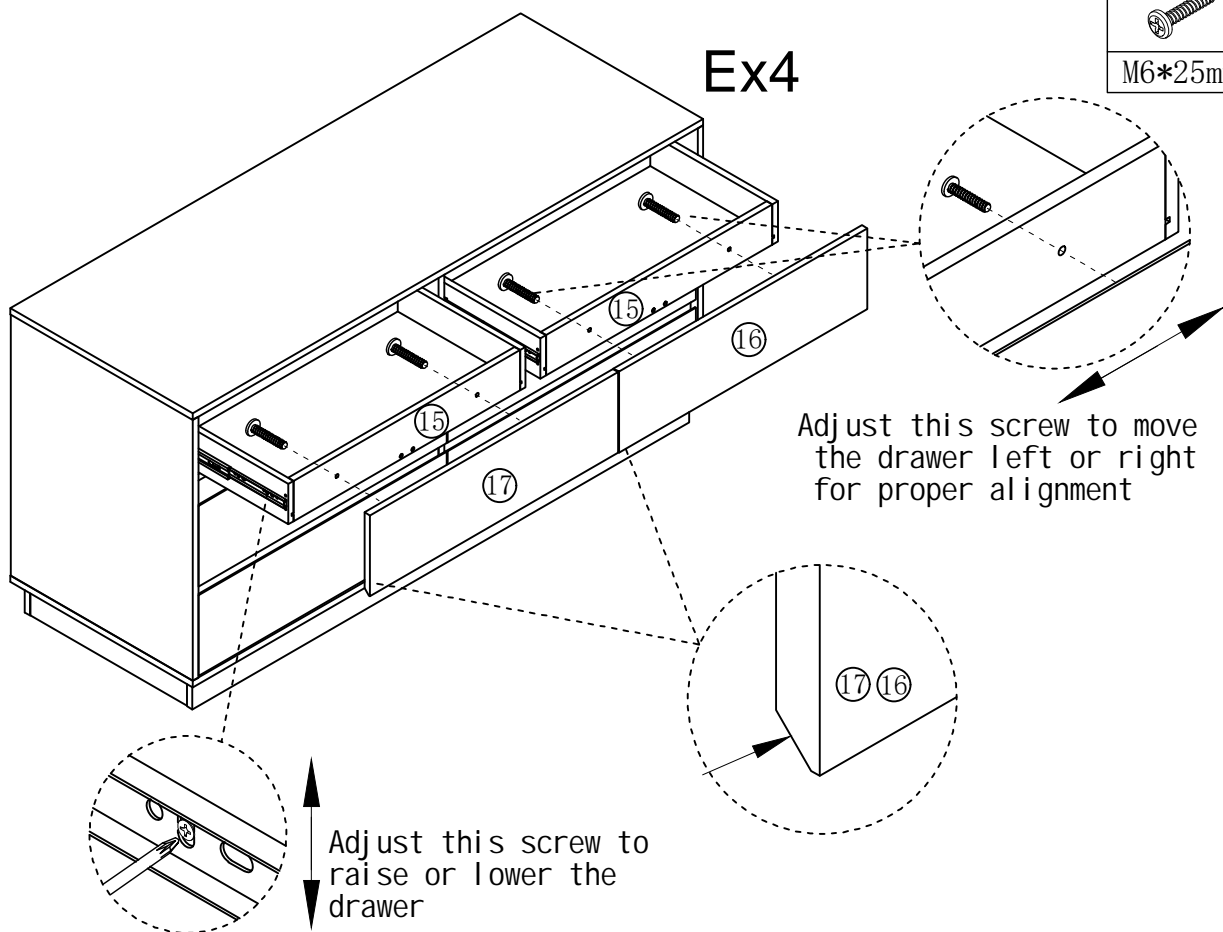
M6*25mm





Step 19

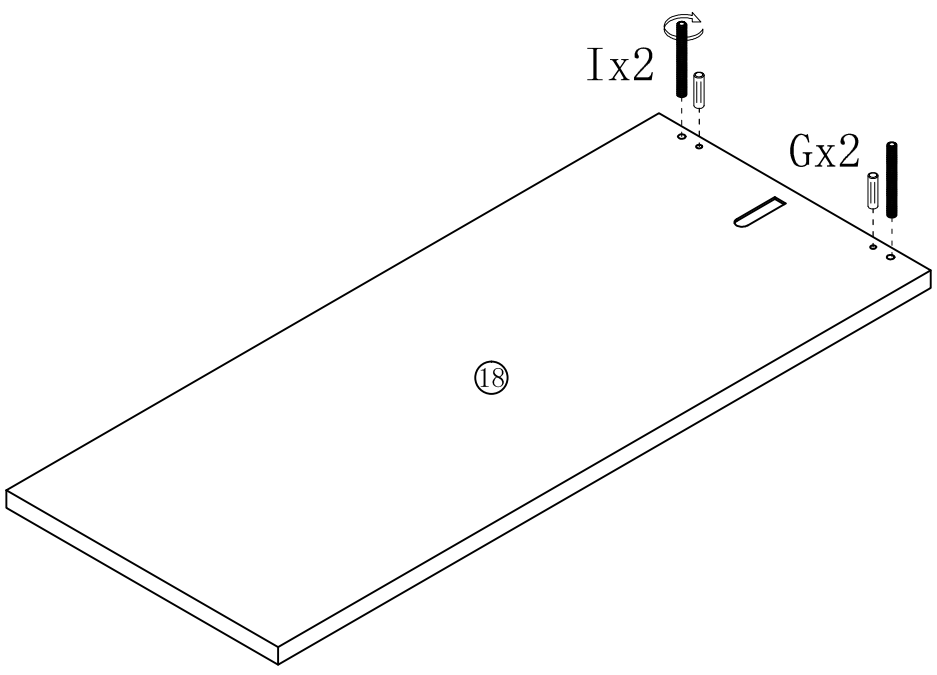
E 4PCS

M6*25mm

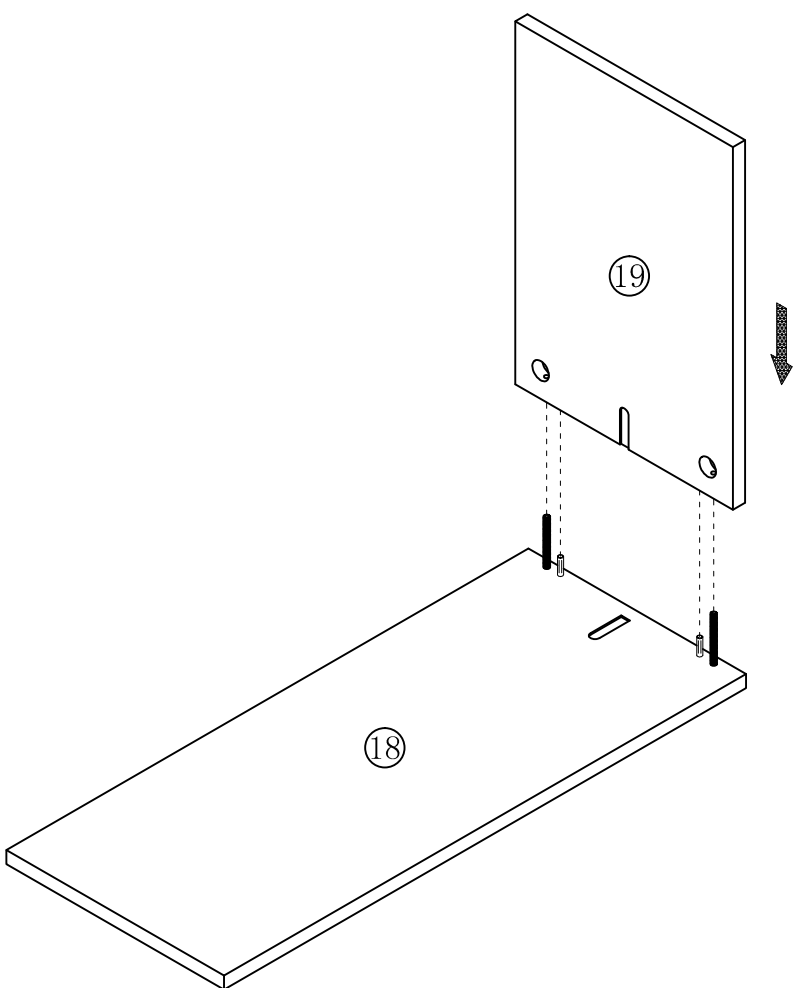


Step 20

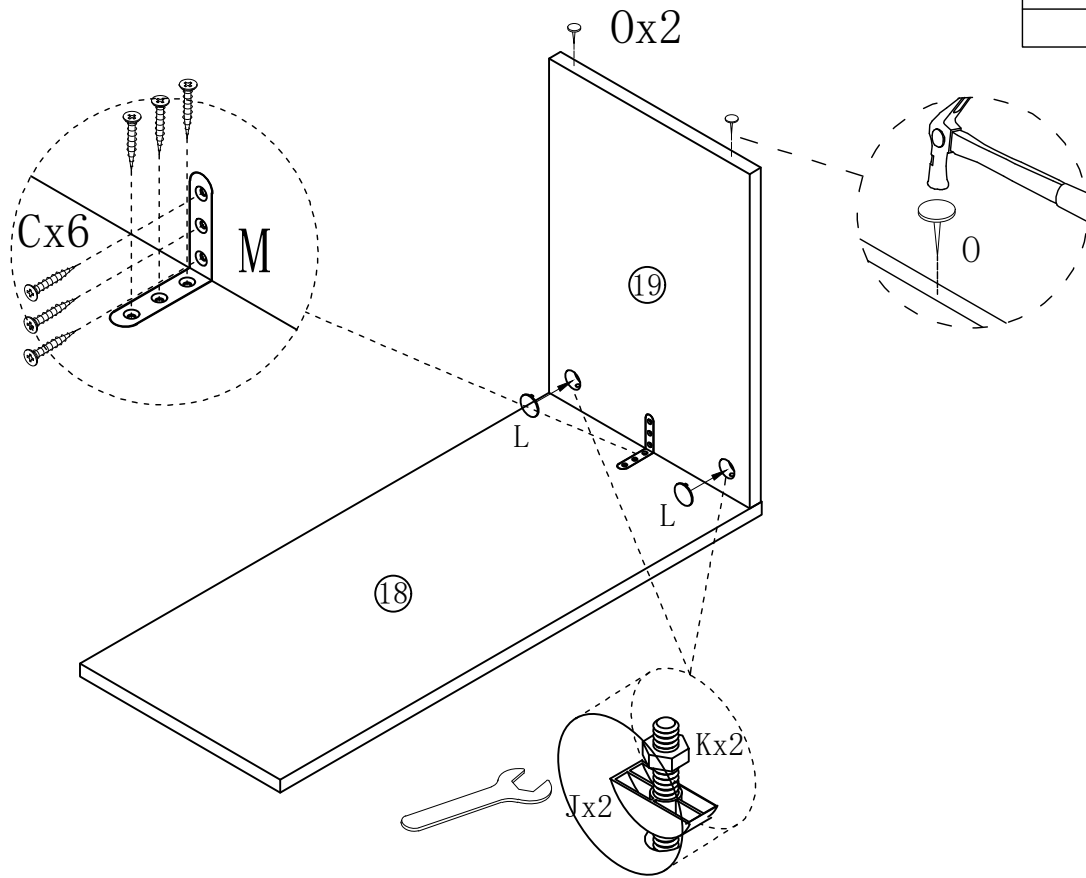
G	2PCS
	
$\phi 8*50\text{mm}$	
I	2PCS
	
M8*75mm	



Step 21

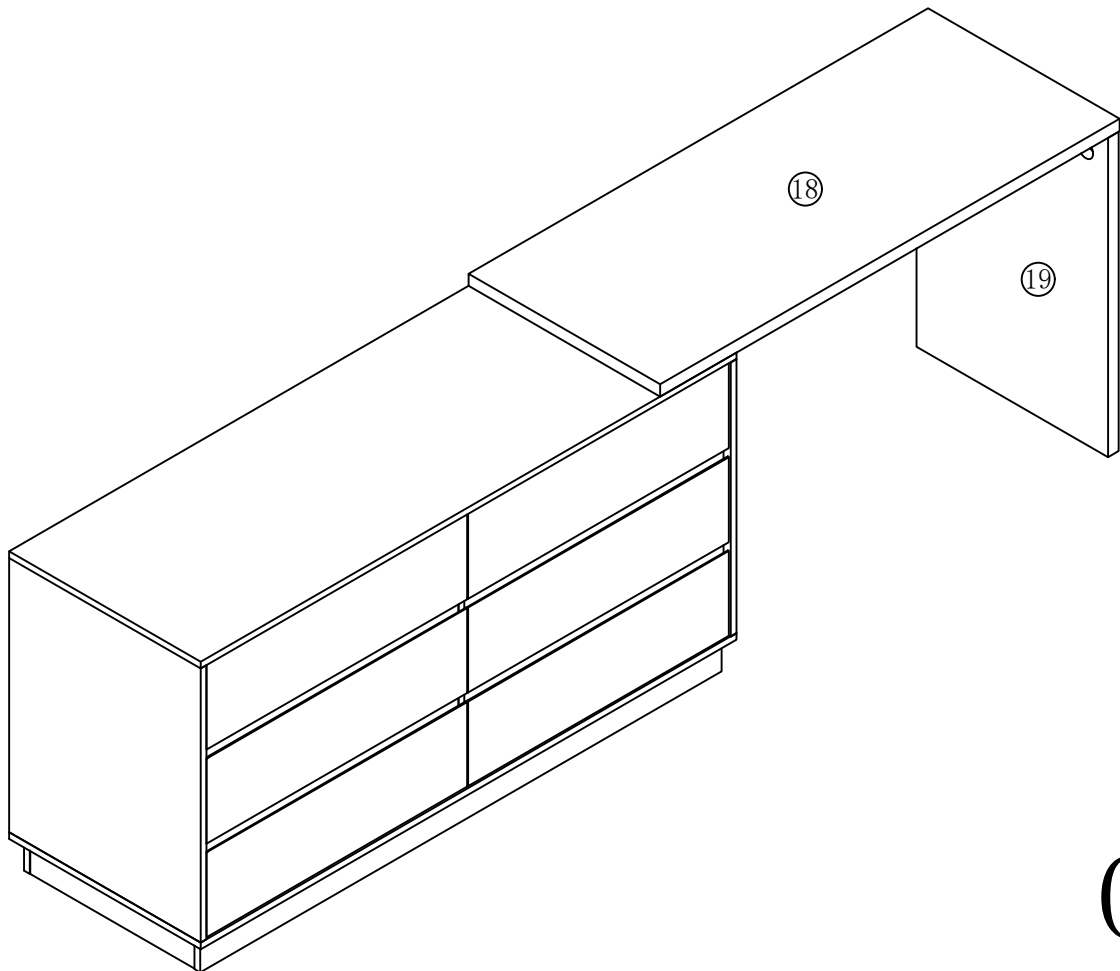


Step 22



O	2PCS	C	6PCS
			Ø3.5*14
J	2PCS		
K	2PCS		
			M8
L	2PCS		
			Ø38
M	1PC		
			80*80*20
N	1PC		
			M8

Step 23



OK