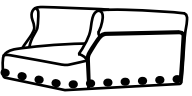
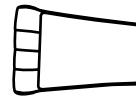

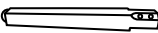
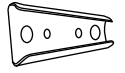





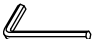
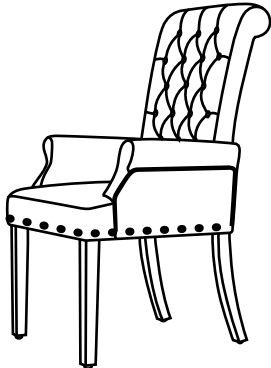


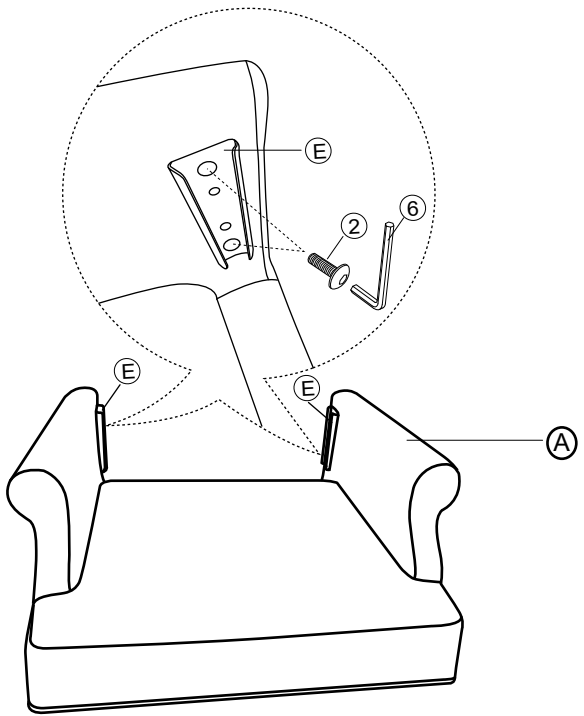
ASSEMBLY INSTRUCTION DINING CHAIR

NO.	Name of component	Qty
(A)		1
(B)		1
(C)	Back leg 	2
(D)	Front leg 	2
(E)		2

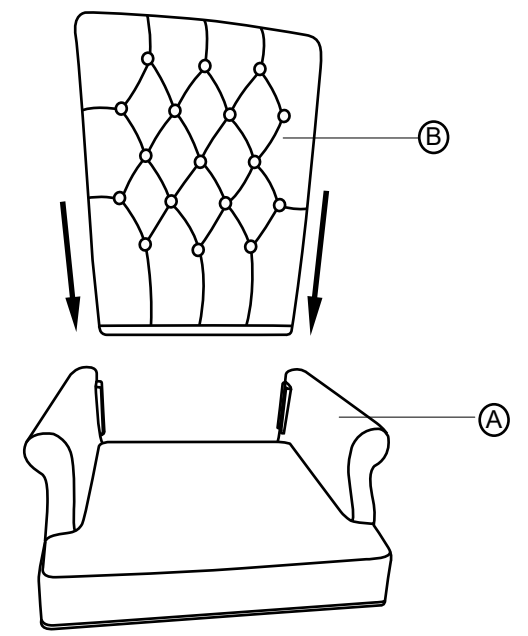
NO.	Name of Hardware	Qty
(1)	Longer Bolt 	8
(2)	Short Bolt 	4
(3)	Spring washer 	8
(4)	Flat Washer 	8
(5)	Allen key A8 	1
(6)	Allen key A6 	1



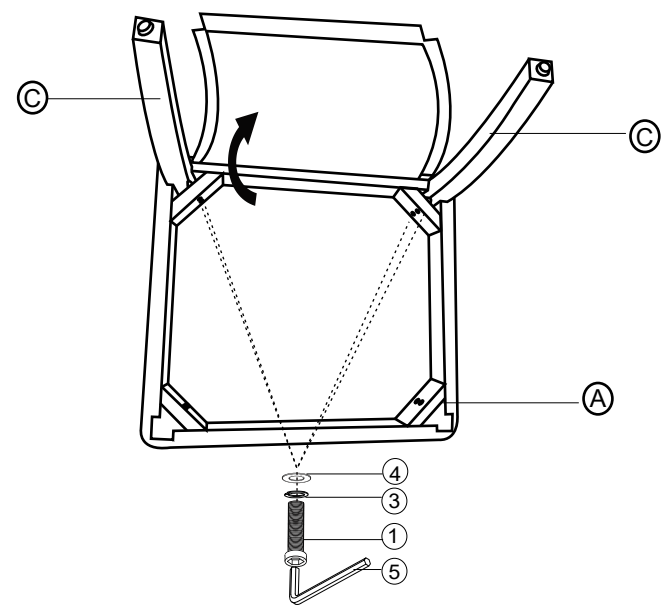
1



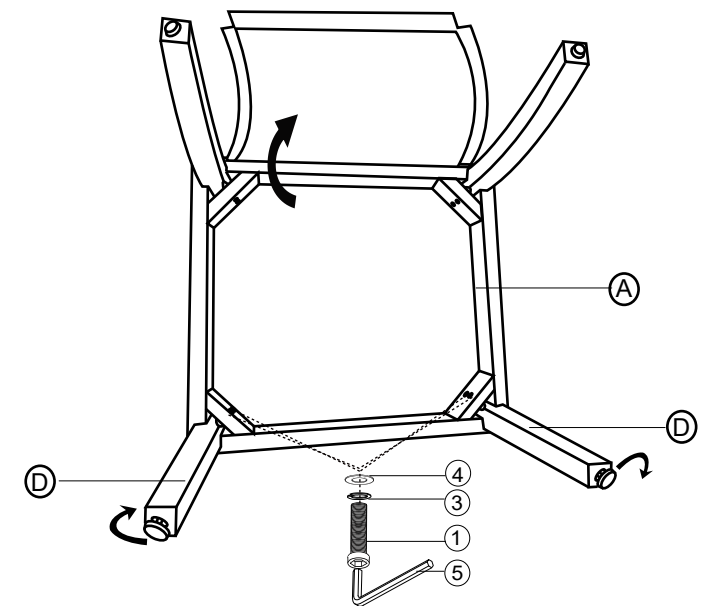
2



3



4



If needed, use adjustable foot pads to level chair.