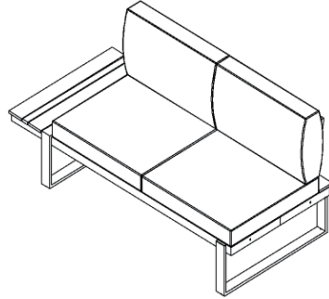




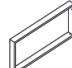
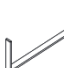


# Assembly Instructions

Caution : You must read this before you proceed








## Left Armrest Sofa



### Parts List

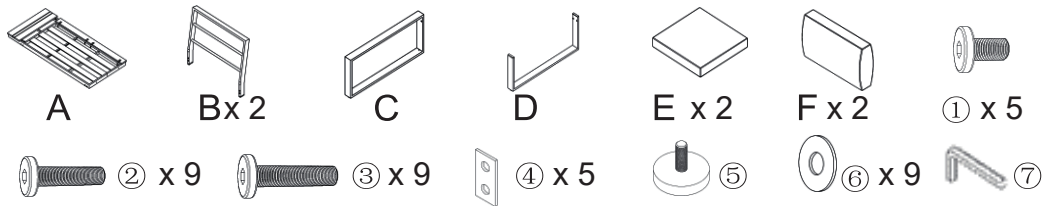
Label	Picture	Description	QTY
A		Seat	1
B		Backrest	2
C		Leg C	1
D		Leg D	1
E		Seat Cushion	2
F		Back Cushion	2

### Hardware

Label	Picture	Description	QTY
①		Bolt (M6*15MM)	5
②		Bolt (M6*30MM)	9
③		Bolt (M6*35MM)	9
④		Wahser	5
⑤		Plastic plug	1
⑥		Washer M6	9
⑦		Allen Wrench(4mm)	1

# Assembly Preparation

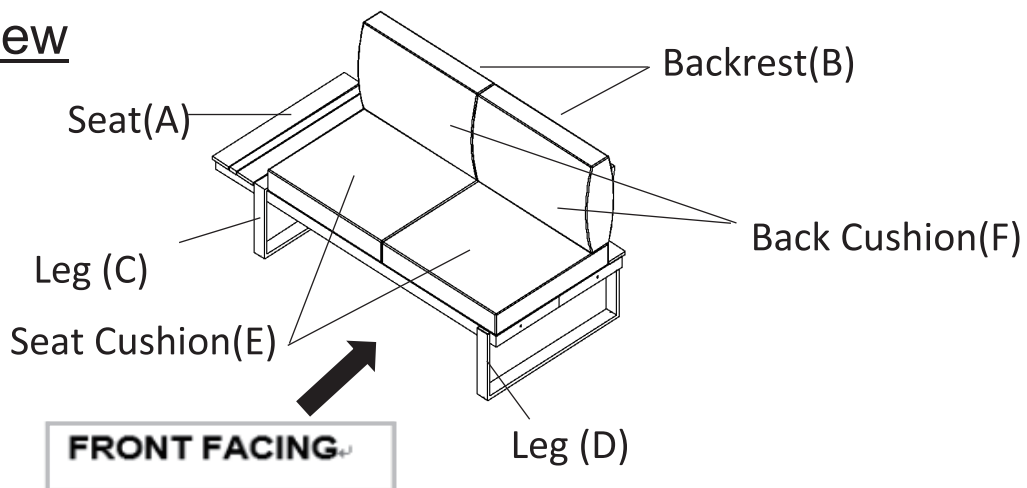
Before Beginning Assembly:



- Read instructions, cover to cover-
- Have 2 adults on hand for assembly-
- Do not assemble on flooring or carpet-
- Assemble on a clean non-marring surface (packing foam)-
- Save all packaging until finished-

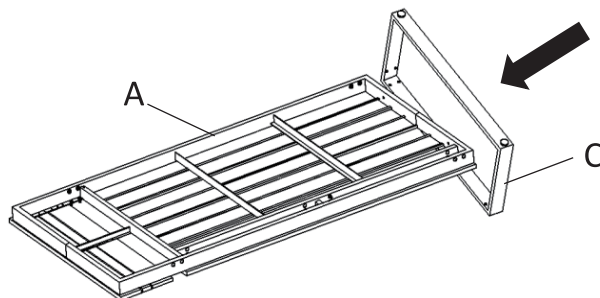
# Assembly Steps

## Overview



This Sofa has multiple parts and may require up to some 30 minutes to assemble. To give you an overview of the Chair parts, the above picture is to help you put the various parts into perspective. Please read through the instructions below to familiarise yourself with the parts and steps before assembly.

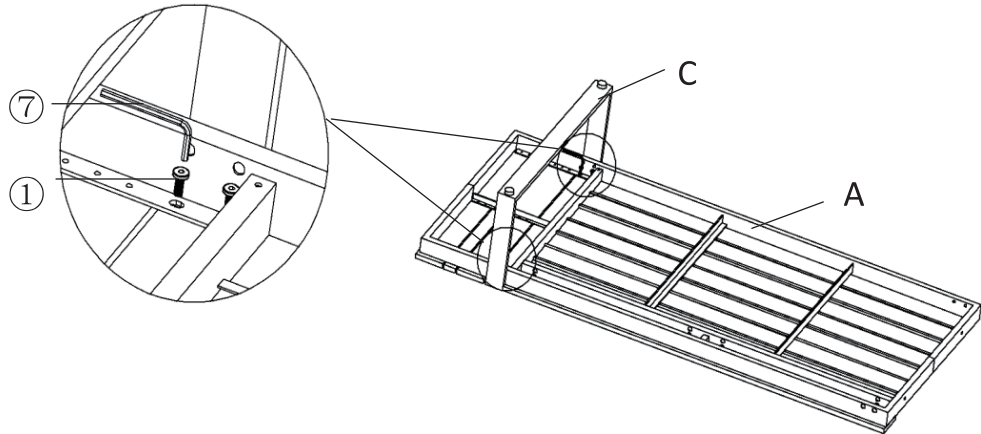
## Step 1



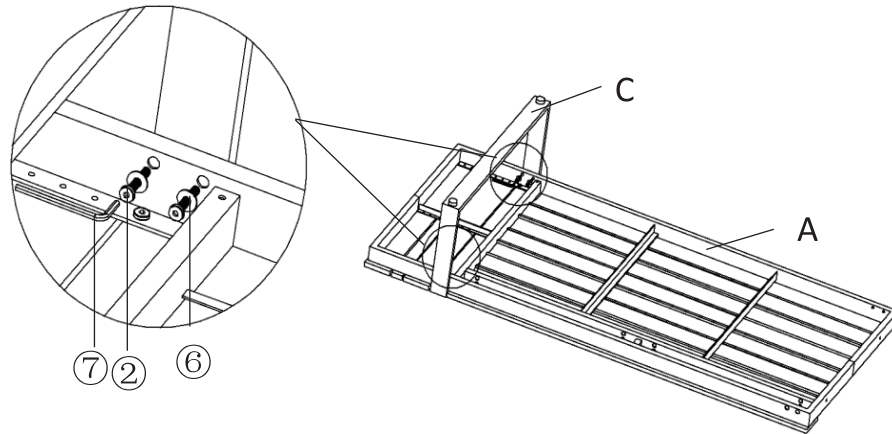
Open the carton and place all parts on a clean, non-marring surface. As shown in the figure above, tilt the seat plate (A) slightly to one side, and place the Leg tube (C) on the seat plate (A).

## Step 2

### Step 2.1



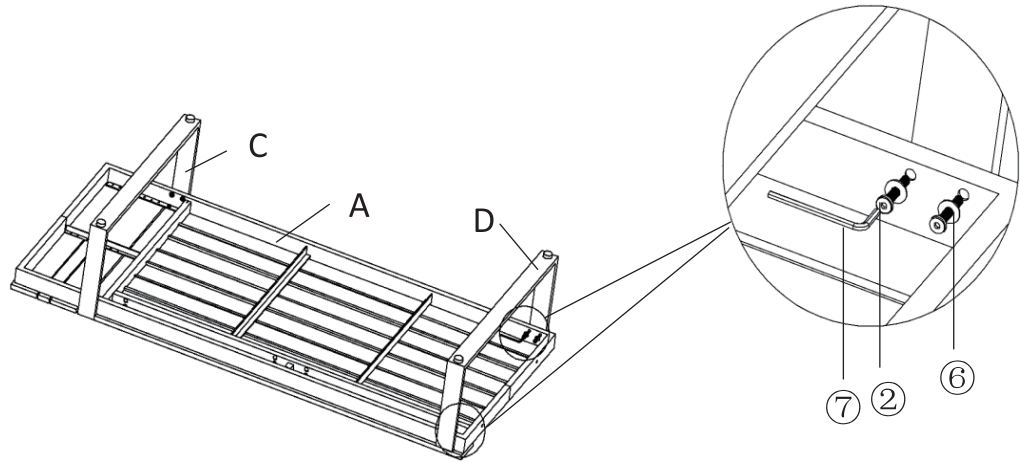
### Step 2.2



Step 2.1: as shown in the figure above, using the Allen wrench ((7)) and bolts ((1)) connect the Leg tube (C) to the seat plate (A). Do not tighten the bolt completely.

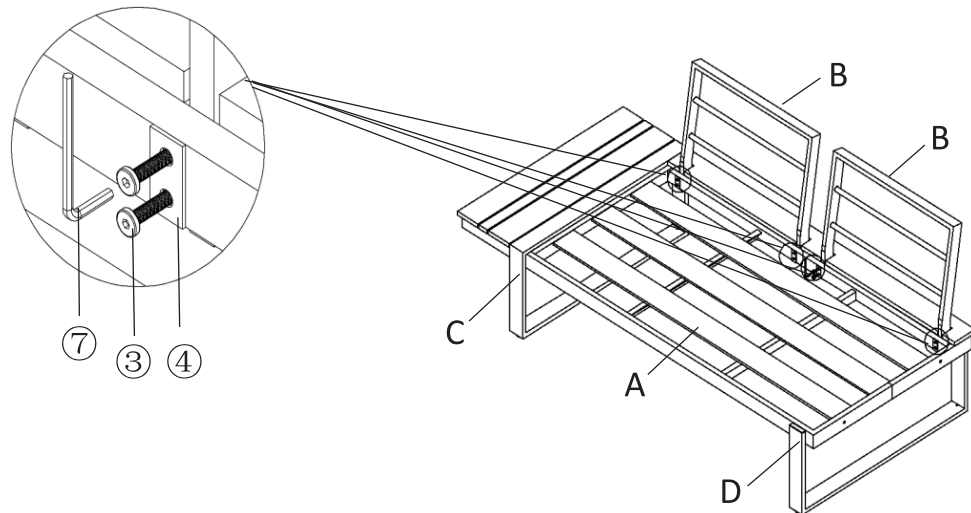
Step 2.2: connect the Leg tube (C) to the seat plate (A) with bolts ((2)) and washers ((6)) using the Allen wrench ((7)) as shown above. Do not tighten the bolts completely.

### Step 3



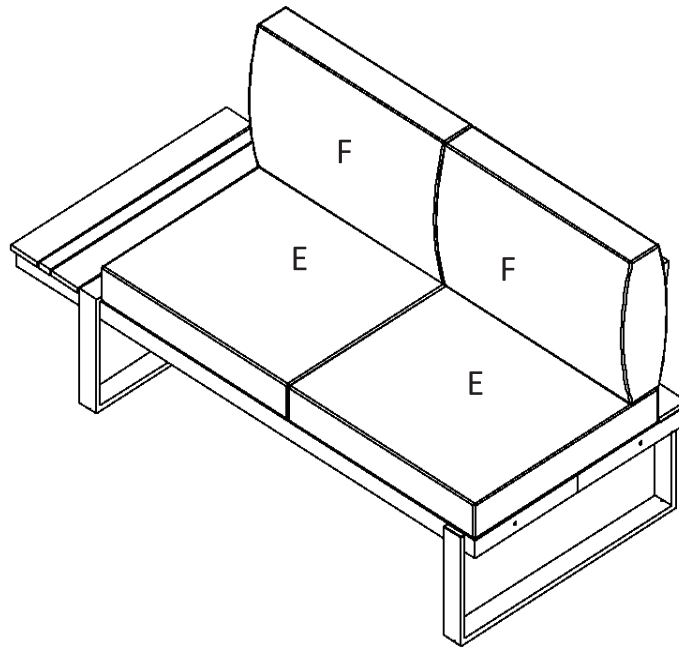
As shown in the figure above, using the Allen wrench (⑦), connect the Leg (D) to the seat plate (A) using bolts (②) and washers (⑥). Do not tighten the bolts completely.

### Step 4



Attach the Backrest (B) to the Seat (A) using Bolts (③) and washers (④) with the Allen wrench (⑦) as shown above. Fully tighten the Bolts.

## Step 5



Put the sofa on the horizontal surface. Check and ensure all parts are fully connected.

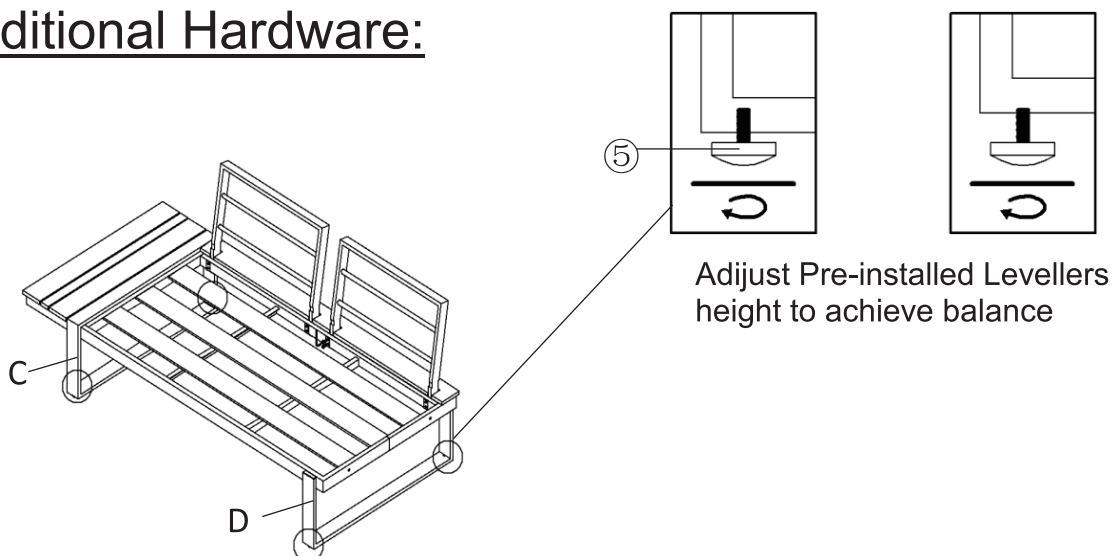
Sit down gently and carefully on the sofa.

This will help align all parts at all joints.

Then carefully get up off the sofa and tighten all the bolts in order. Place the cushions (E), (F) on the sofa and stick the Velcro from cushion to cushion.





















Your sofa is ready to use.

## Additional Hardware:



Insert the adjusting foot pad (5) into the Leg tube (C) and the Leg tube (D), as shown in the figure above

## Care & Maintenance

-   ● Do not put hot items directly on furniture surface
-   ● Do not clean furniture with harsh cleansers or polish.
-   ● To obtain the longest lifespan of your outdoor products, minimizing exposure to direct sunlight is recommended.
-   ● Children should not climb or jump on the furniture.
-   ● Do not write on furniture without a padded barrier to protect the surface.
-   ● To obtain the longest lifespan of your outdoor products, avoid extended and lengthy exposure to rain, snow, and direct sunshine. Whenever possible cover the product and /or place under patio or awnings.
-   ● Not for commercial use. For residential use only .
-   ● Stains may be removed with mild soap solution and damp cloth.
-   ● Keep away from sources of ignition.
-   ● Dust and pick-up spills using a clean, non-colored, lint-free cloth.