






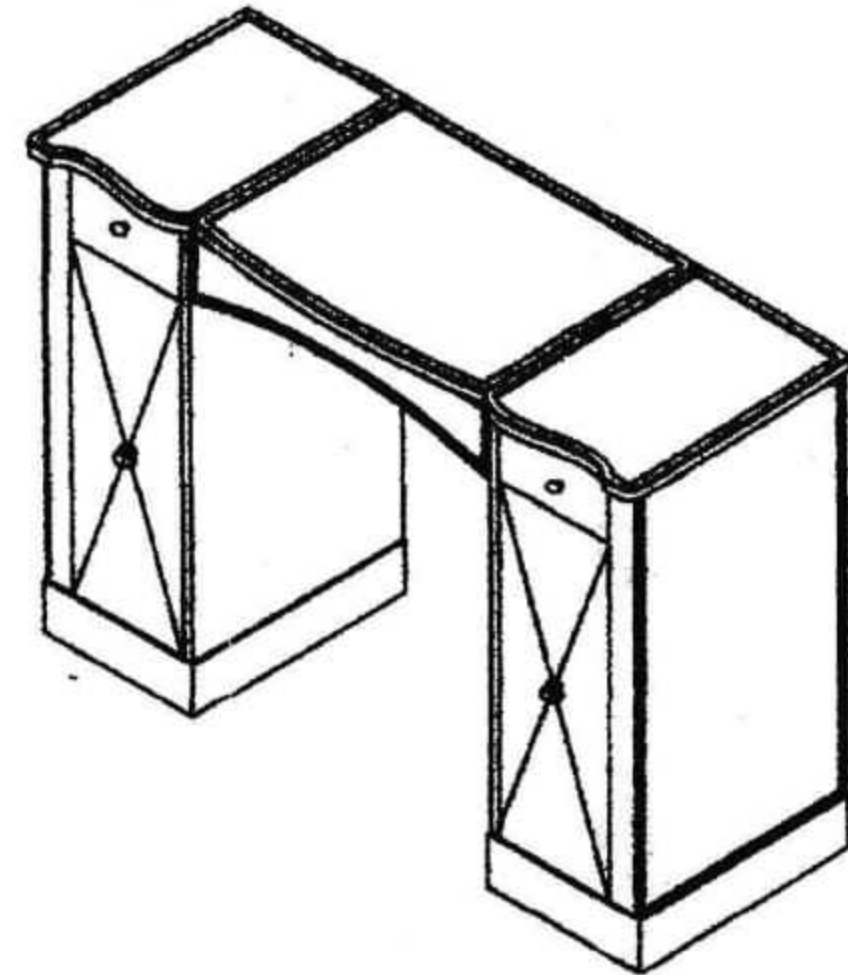


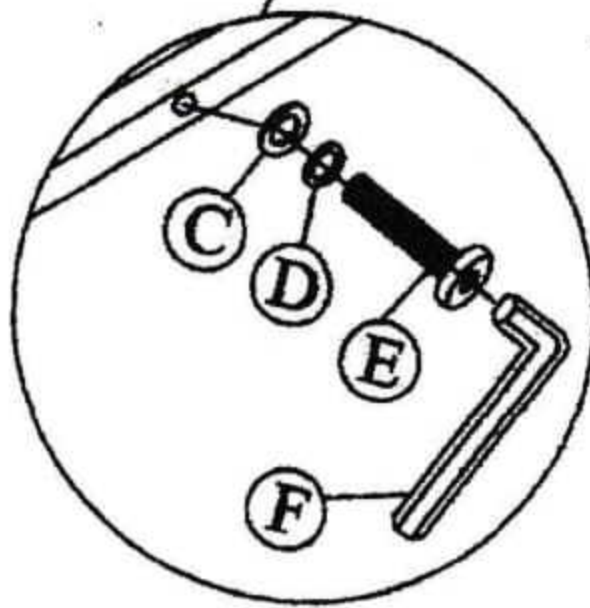
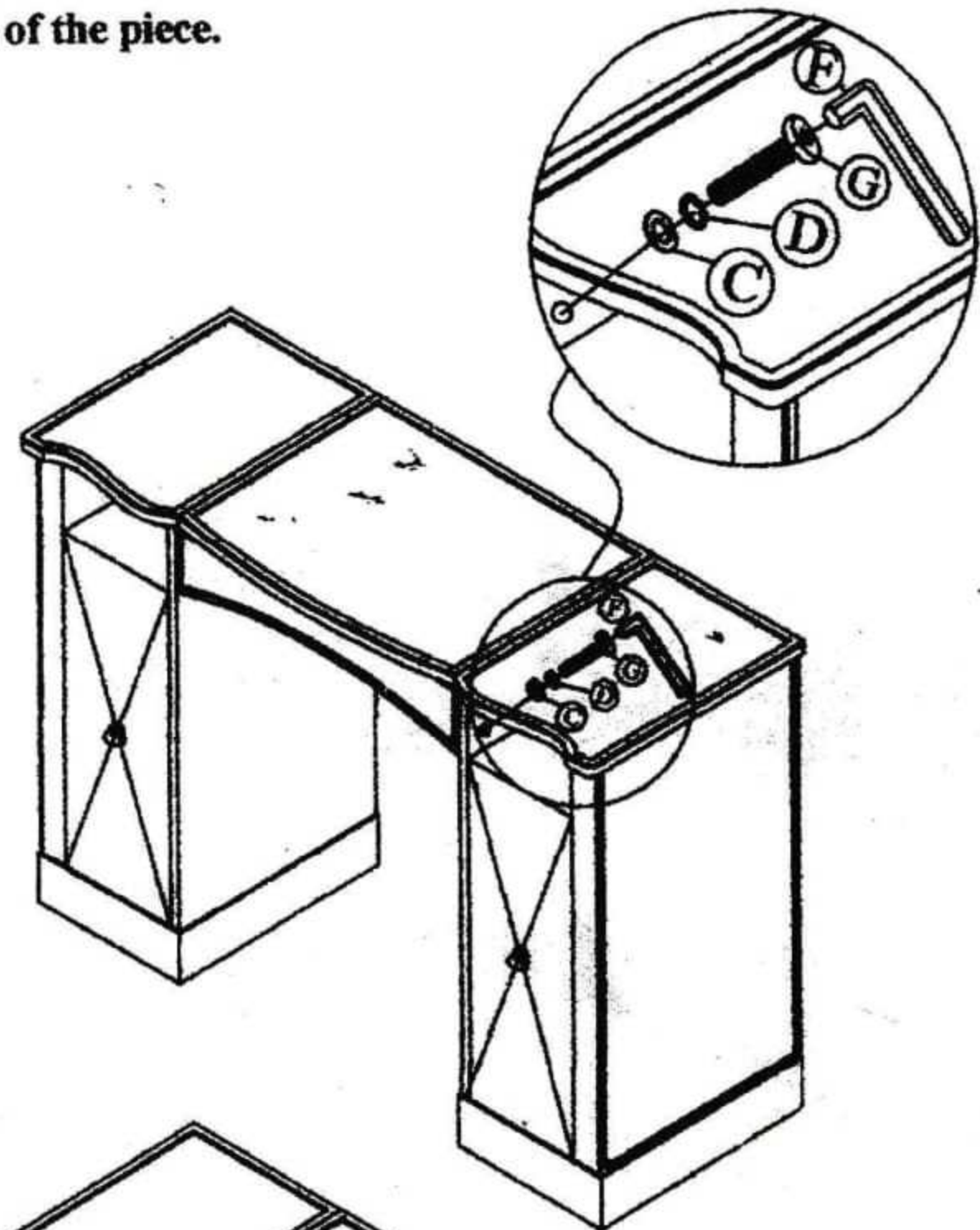
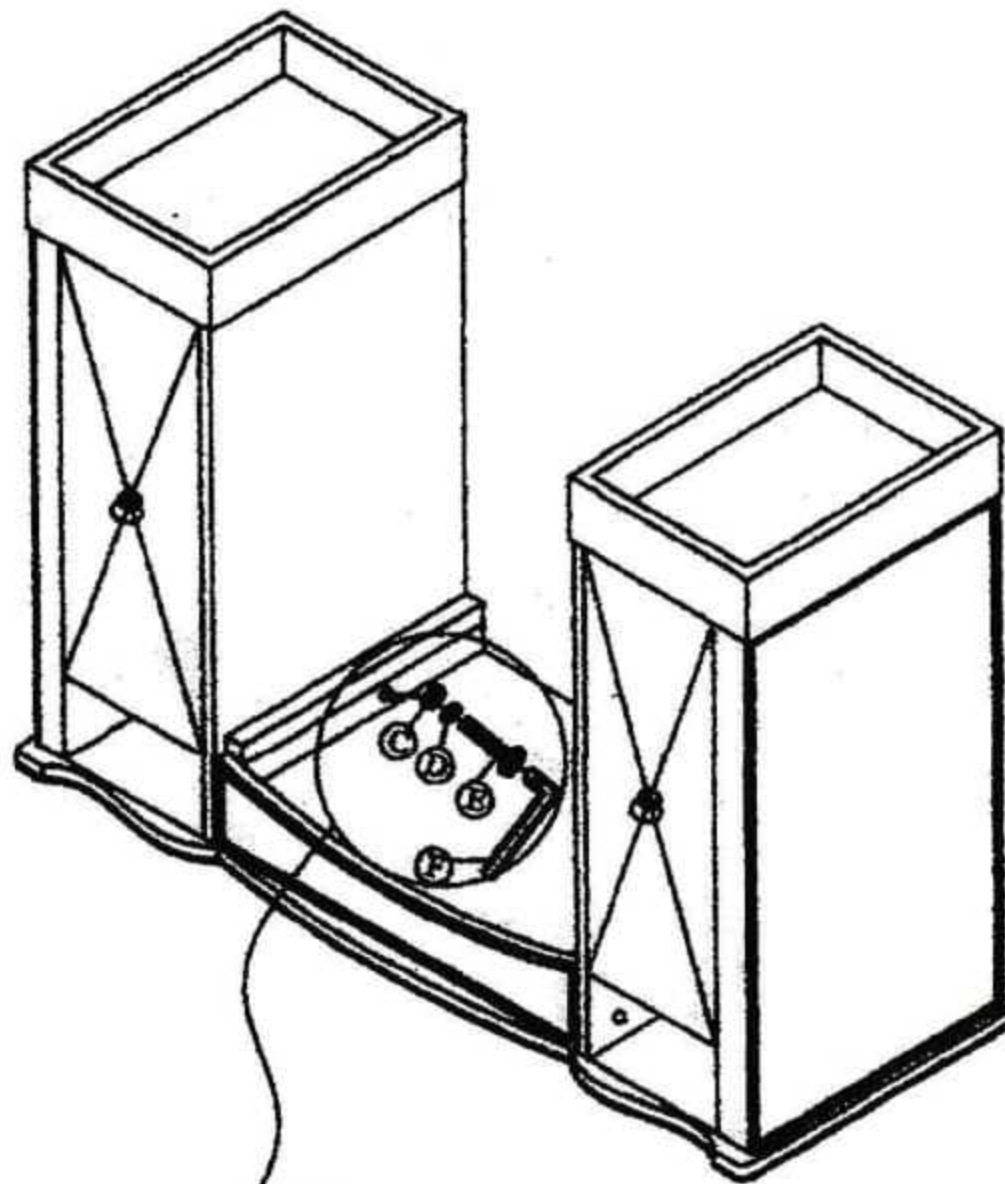
## Assembly Instructions

PACKAGED	
(A) 1-  1pc	(C) 3-  Ø5/16"X16mmFLAT WASHER 6pcs
(B) 2-  2pcs	(D) 4-  Ø5/16"LOCK WASHER 6pcs
	(E) 5-  Ø5/16"X1-1/4" ALLEN BOLTS 2pcs
	(F) 6-  5MM ALLEN WRENCH 1pcs
	(G) 7-  Ø5/16"X1-1/4" ALLEN BOLTS 4pcs



**Read all instructions before starting assembly.**

**Step#1** Remove all the contents from the package checking that all of the components listed in "Packaged" are included. Prepare a flat, protected work surface where the product can be assembled. **Part E bolt are for the underneath or bottom side of the vanity. Part G bolt is for the top side of the piece.**



**(\*Caution: DO NOT OVERTIGHTEN.**

**In any correspondence regarding this product, please include the complete identification number located on the underside of the product.**

*We hope this Vanity will be a useful and decorative addition to your home for years to come.*