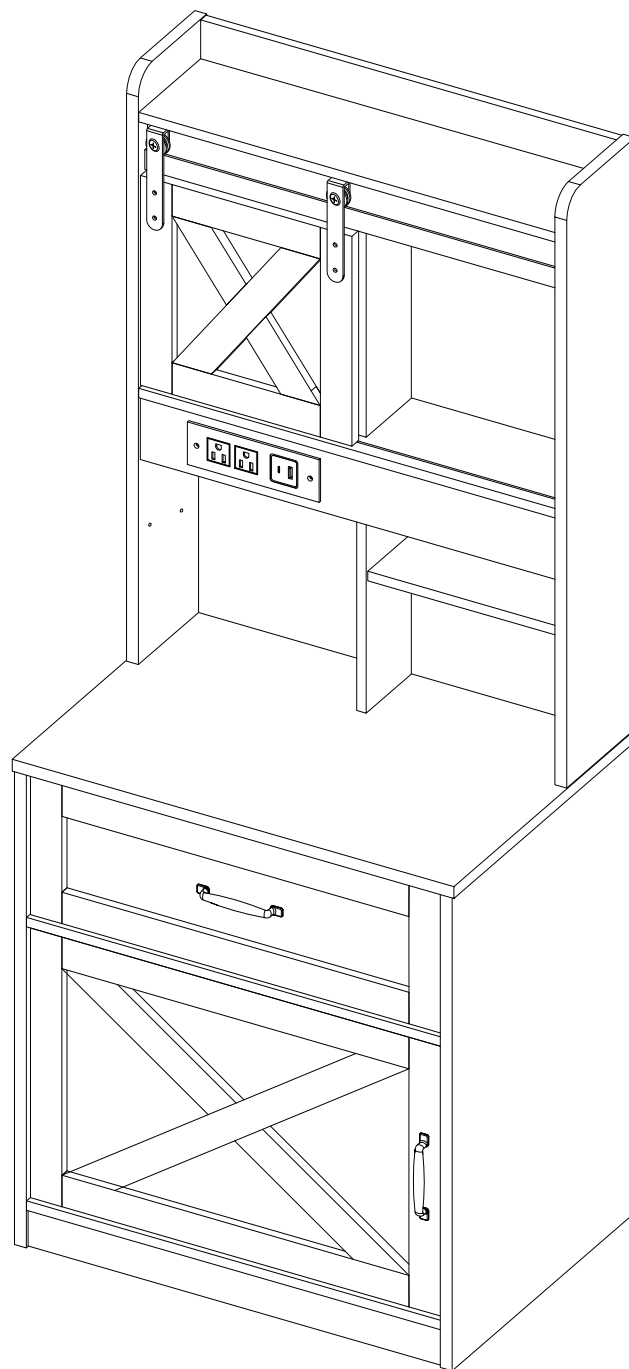
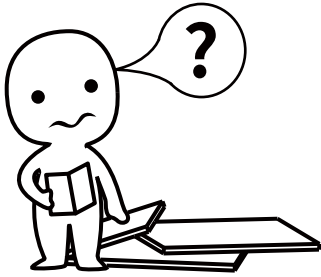


Nightstand

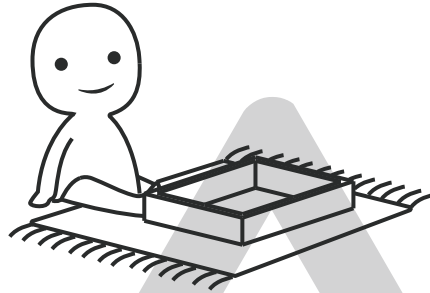
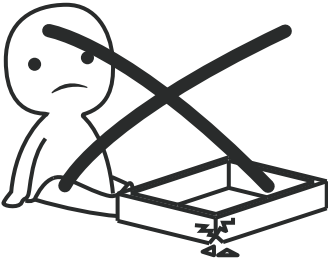
This assembly manual is suitable for single packaged products and two packaged products together.





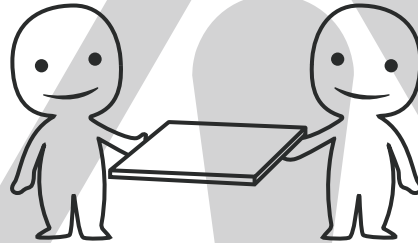
IMPORTANT INFORMATION!

please read the entire manual before starting to assemble and/or using this product. follow the manual thoroughly and keep it for further reference.



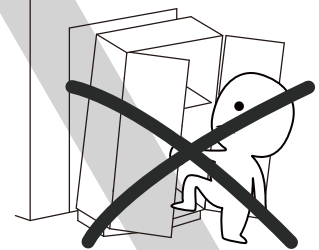
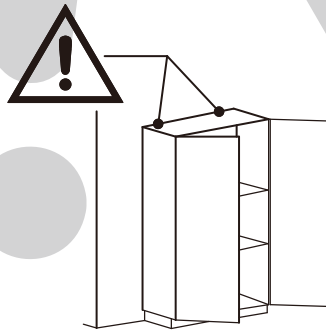
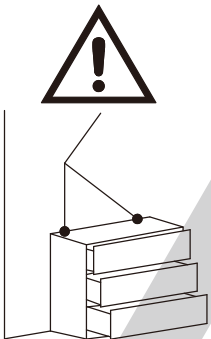
AVOID SCRATCHES!

In order to avoid scratching this furniture should be assembled on a soft layer—could be a rug.



IMPROVE EFFICIENCY !

Try to find a partner to install with you, which can speed up the installation efficiency and shorten the time.



ANTI-TOPPLE WARNING !

Overturnd furniture can cause serious or fatal crush injuries. To prevent tipping over, be sure to use the wall attachment, if not included with this product. Please purchase the wall attachment that fit your wall. If unsure, seek professional advice. Please read and follow each step of the instructions carefully.

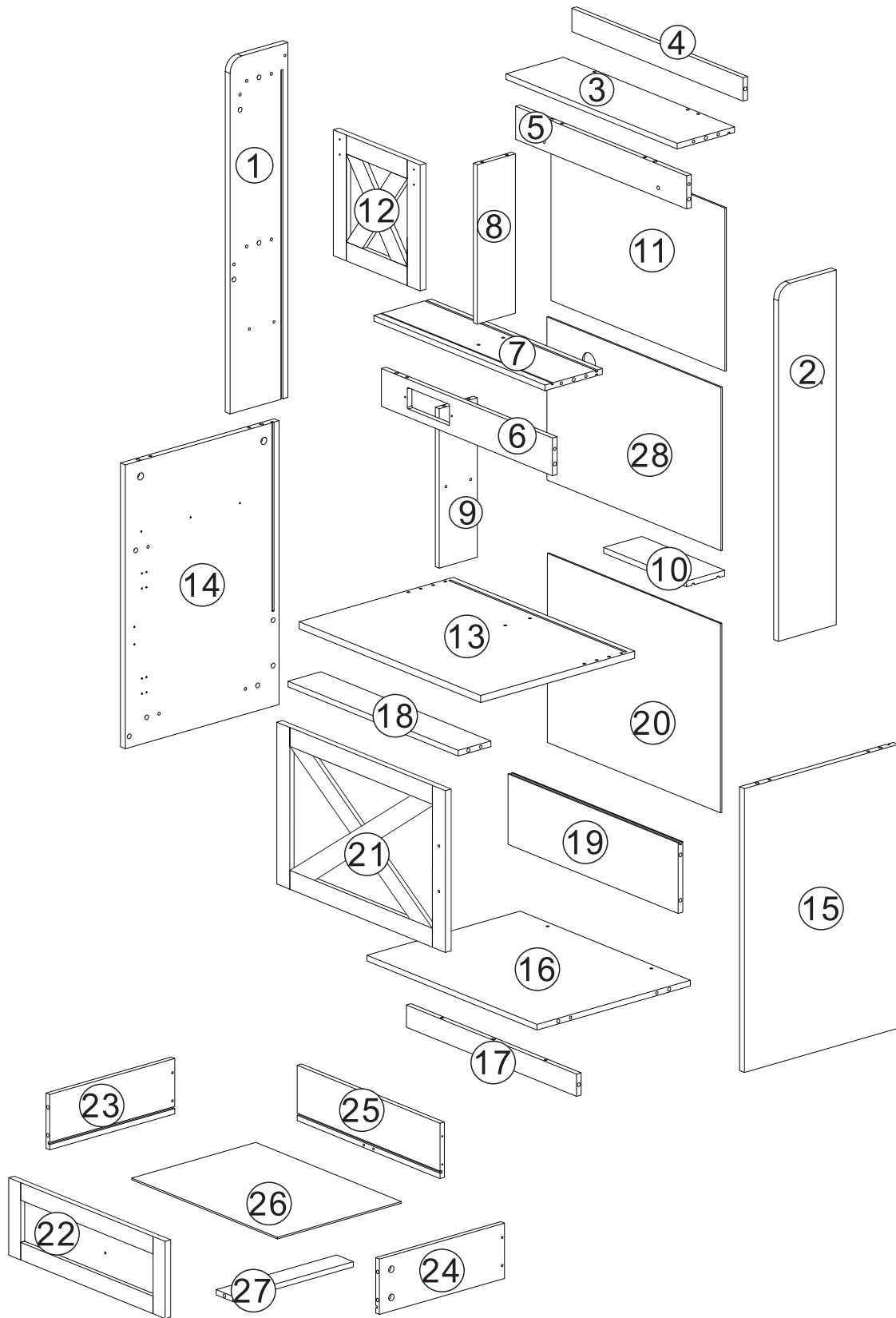
IMPORTANT !

It is important that any product which is assembled using any kind of screw is re-tightened 2 weeks after assembly, and once every 3 months - in order to assure stability through-out the lifespan of the product.

For regular maintenance and cleaning of the product, for the frame, please use a rag dipped in neutral detergent to fully wipe it, and then dry it with a clean rag. For glass materials, wipe with a rag dampened with water glass cleaner, and then dry with a dry rag.

If you're using an electric screwdriver, set the tool to low torque to avoid damage.

Board Identification



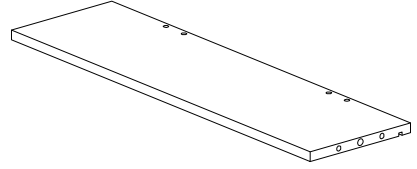
PARTS LIST



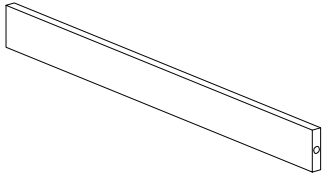
①



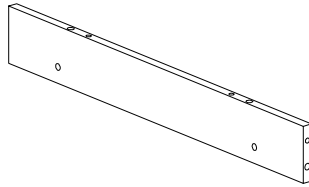
②



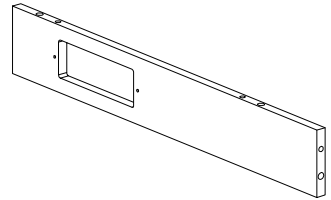
③



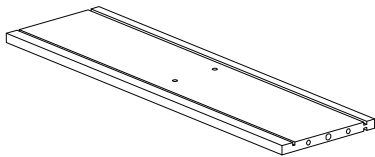
④



⑤



⑥



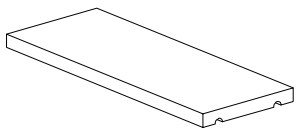
⑦



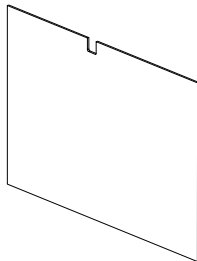
⑧



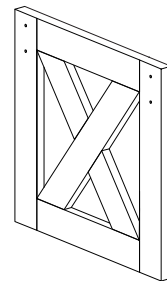
⑨



⑩

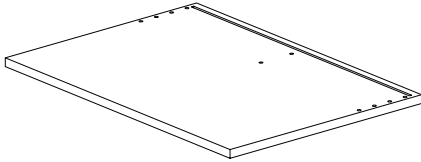


⑪

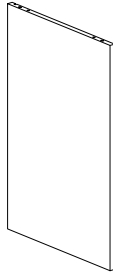


⑫

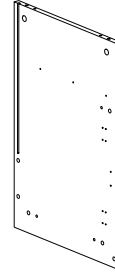
PARTS LIST



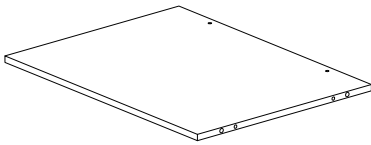
13



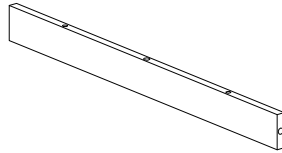
14



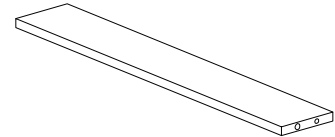
15



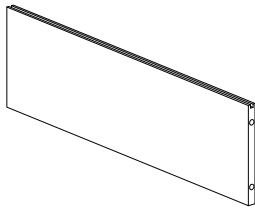
16



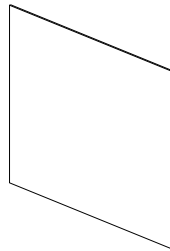
17



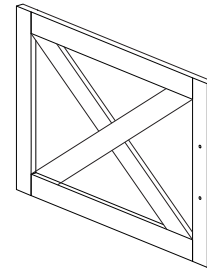
18



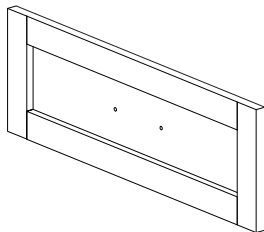
19



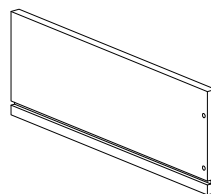
20



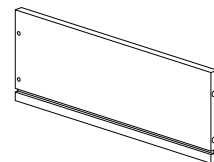
21



22

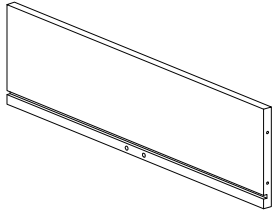


23

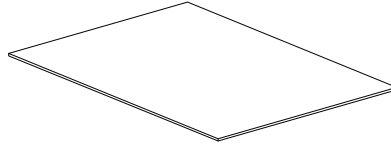


24

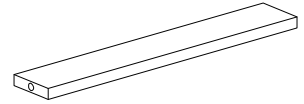
PARTS LIST



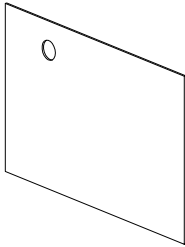
25



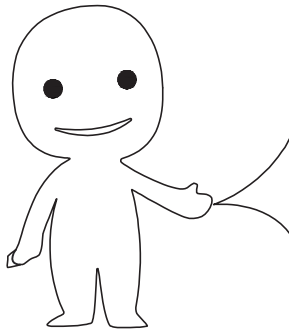
26



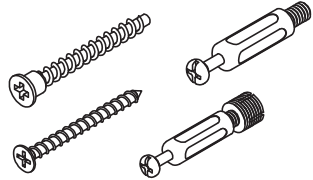
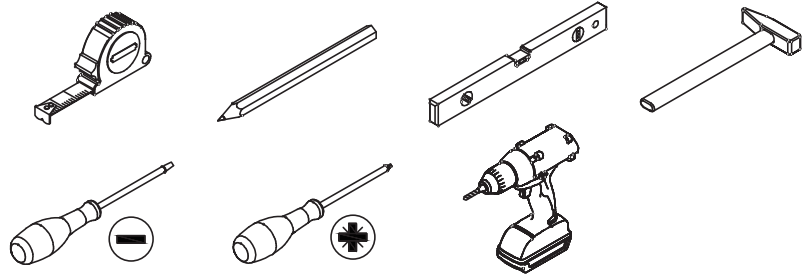
27



28

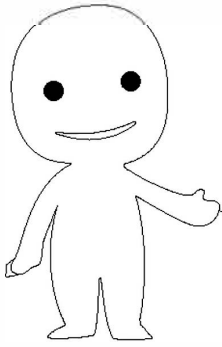


Please prepare the following tools

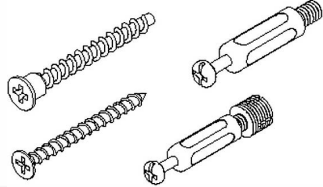
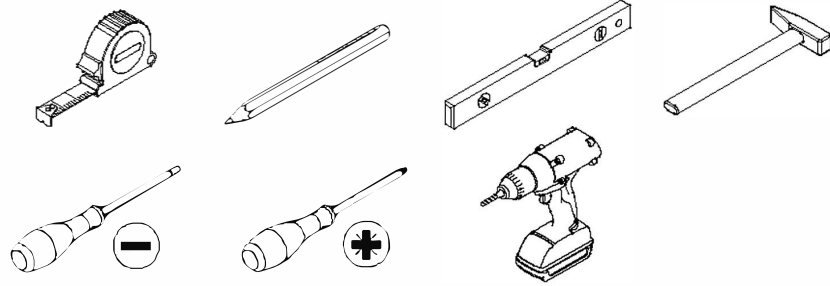


When installing, please carefully confirm whether each screw corresponds to the manual, accessories with similar shapes can be distinguished by size

<p>A x 8</p> <p>Ø 7 x 40 mm</p>	<p>B x 28</p> <p>Ø 7 x 40 mm</p>	<p>C x 36</p> <p>Ø 15 x 9.5 mm</p>	<p>D x 38</p> <p>Ø 5.8 x 30mm</p>
<p>E x 8</p> <p>Ø 5 x 38mm</p>	<p>F x 6</p> <p>Ø 3.5 x 35mm</p>	<p>G x 2</p>	<p>H x 2</p> <p>Ø 4 x 20mm</p>
<p>I x 33</p> <p>Ø 3.5 x 12mm</p>	<p>J x 3</p>	<p>K x 5</p> <p>Ø 3.5 x 14mm</p>	<p>L x 1</p>
<p>M x 4</p> <p>Ø 12 x 3mm</p>	<p>N x 2</p> <p>Ø 4 x 8mm</p>	<p>O x 2</p> <p>Ø 5.8 x 50mm</p>	<p>P x 2</p>
<p>Q x 2</p>	<p>R x 4</p>	<p>S x 1</p>	<p>T x 2</p> <p>Ø 6 x 20mm</p>



Please prepare the following tools



When installing, please carefully confirm whether each screw corresponds to the manual, accessories with similar shapes can be distinguished by size

U x 12

V x 12

Ø 3.5 x 14mm

W x 12

X x 2

Y x 1

Z x 1

HGx1 CL+DL CR+DR

X1

LED x 1

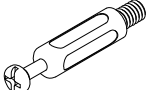



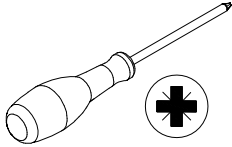
PC x 1

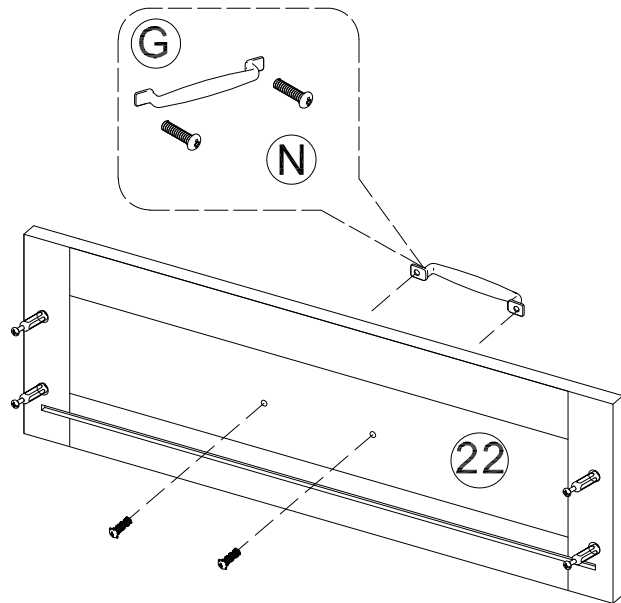
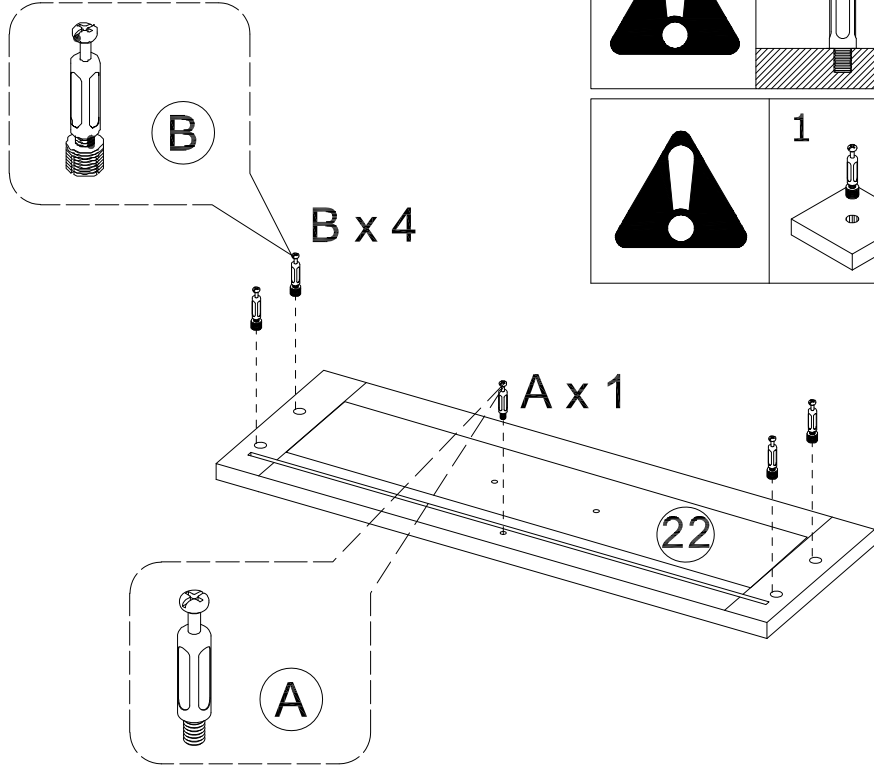
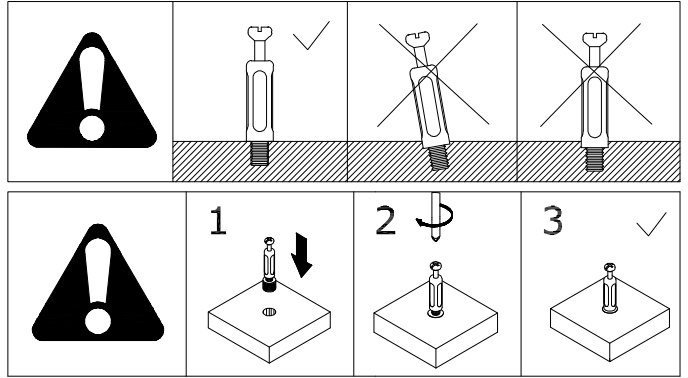
Ø 3.5 x 14mm

+ 2

SPARE BAG

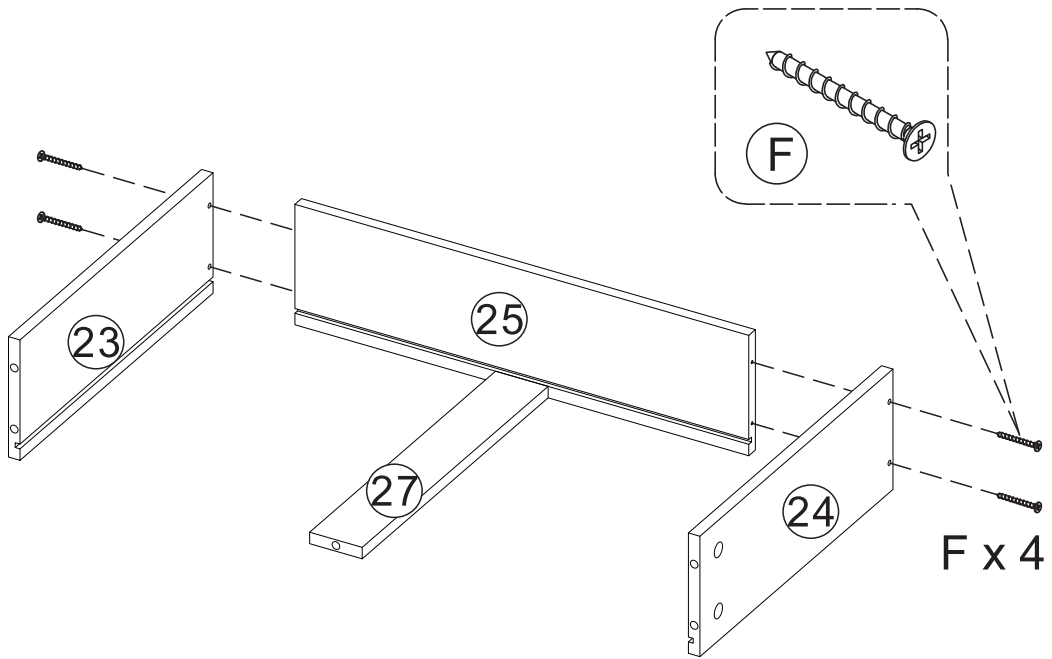
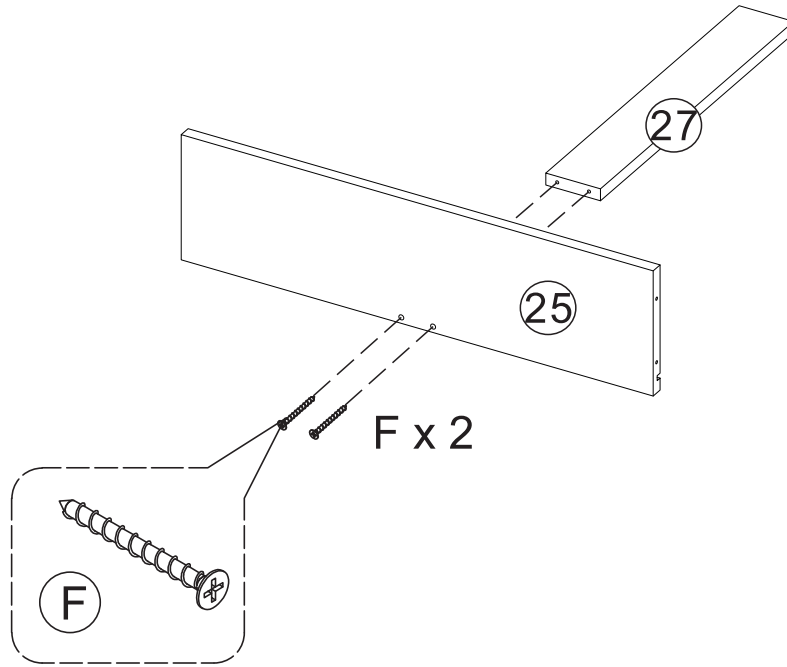
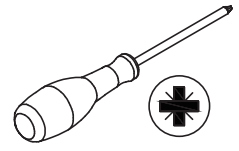
1

A x 1  Ø7 x 40 mm	B x 4  Ø7 x 40 mm	G x 1 	N x 2  Ø4 x 8mm	
---	---	---	--	---



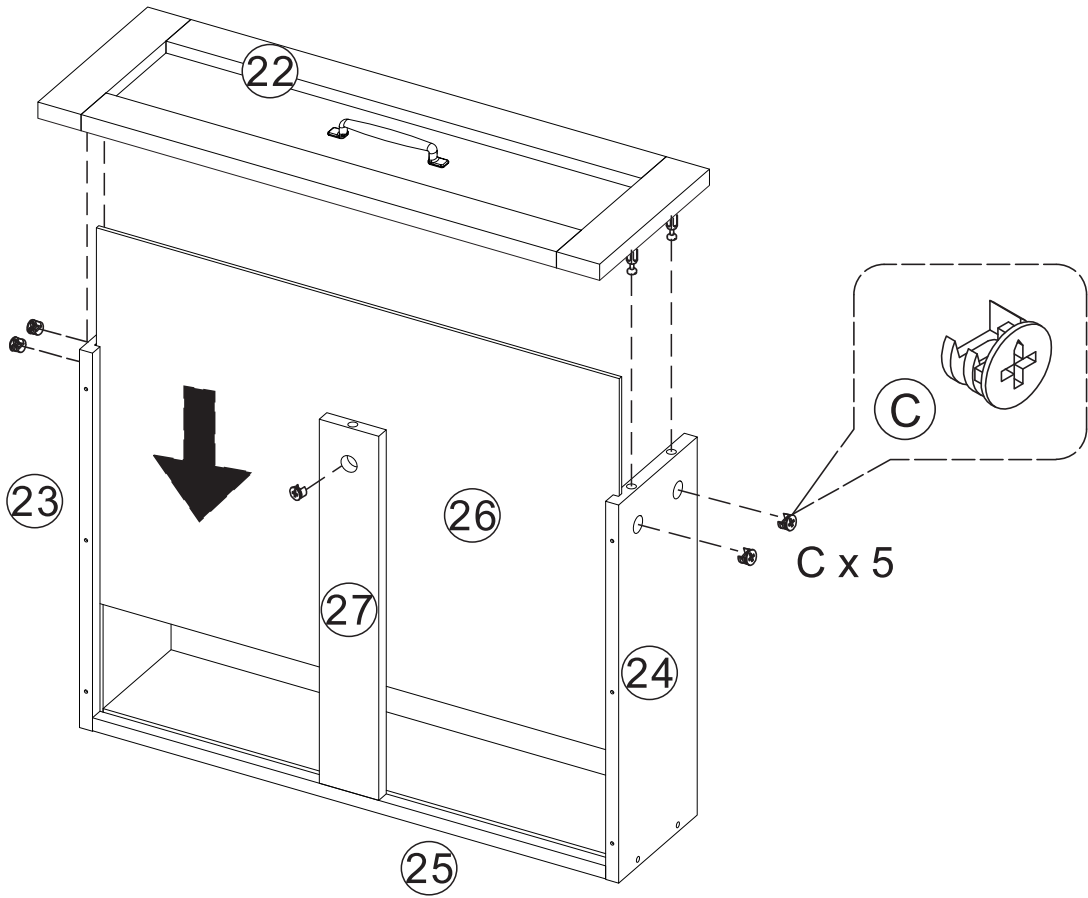
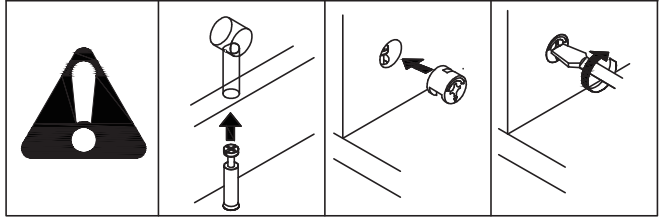
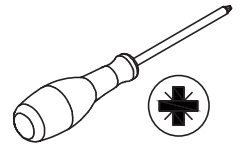
2

F x 6
Ø3.5 x 35mm

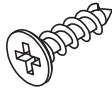
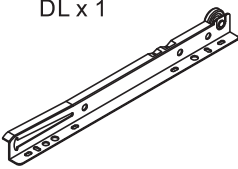
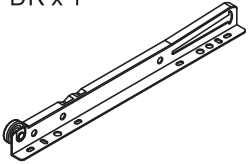
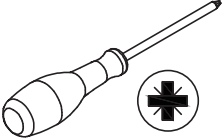



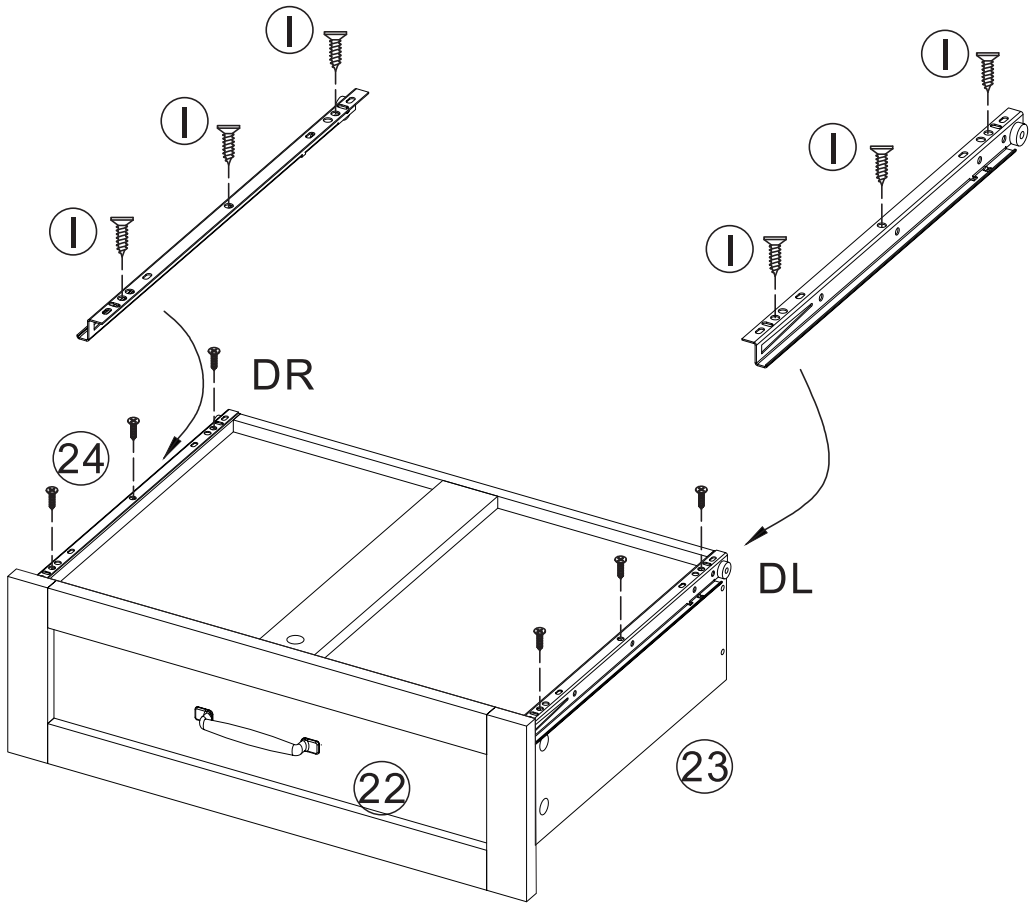
3

C x 5
Ø15 x 9.5 mm

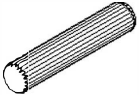

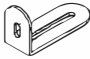

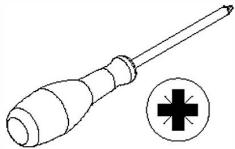


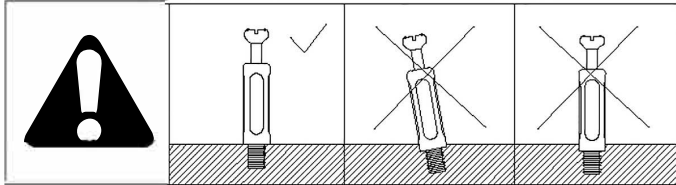
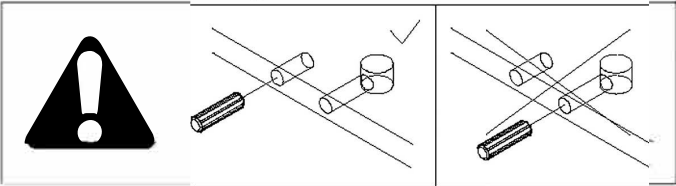
4

<p>I x 6</p>  <p>Ø 3.5 x 12 mm</p>	<p>DL x 1</p> 	<p>DR x 1</p> 	 
---	---	--	---

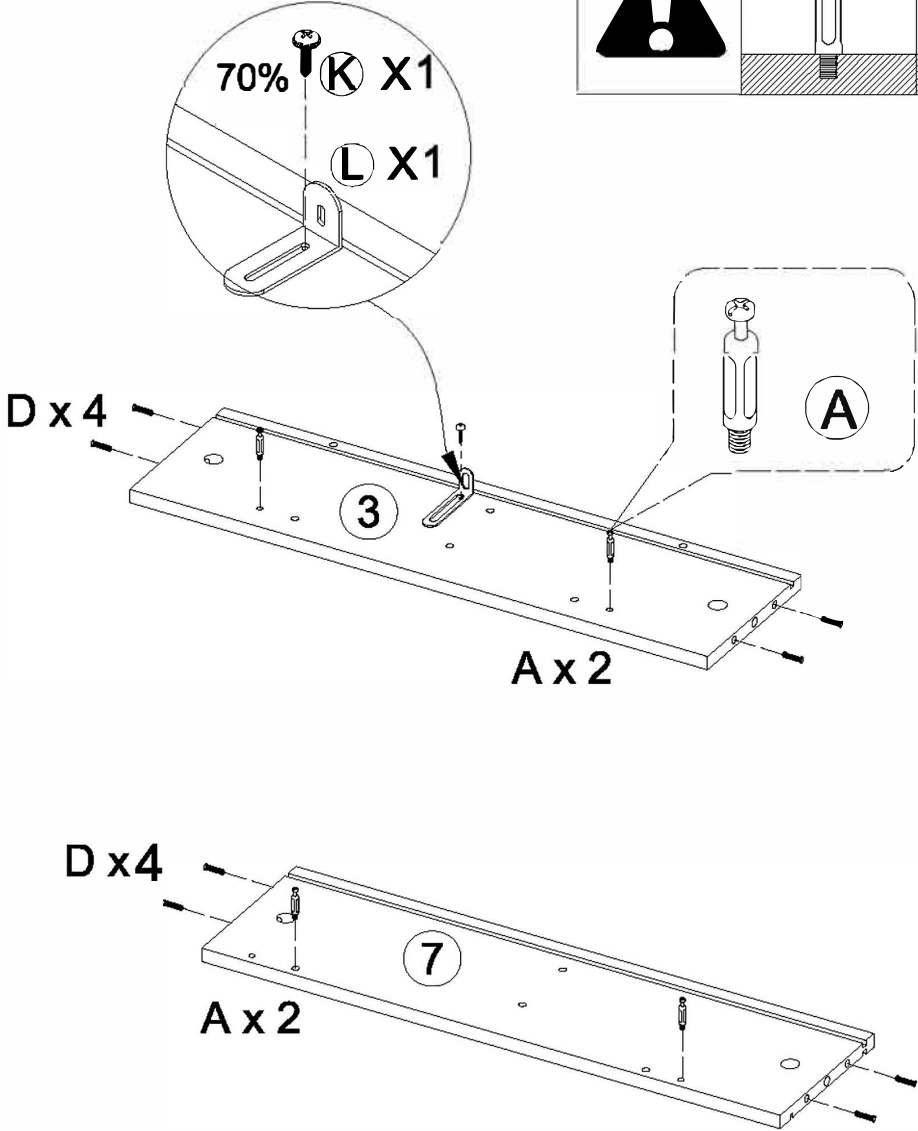


5







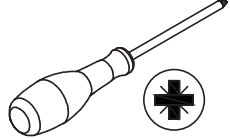


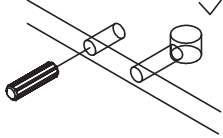
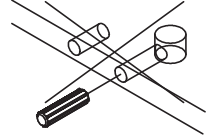
D x 8  Ø5.8 x 30mm	A x 4  Ø7 x 40 mm	L x 1 	K x 1  Ø3.5 x 14mm	
--	---	---	---	---

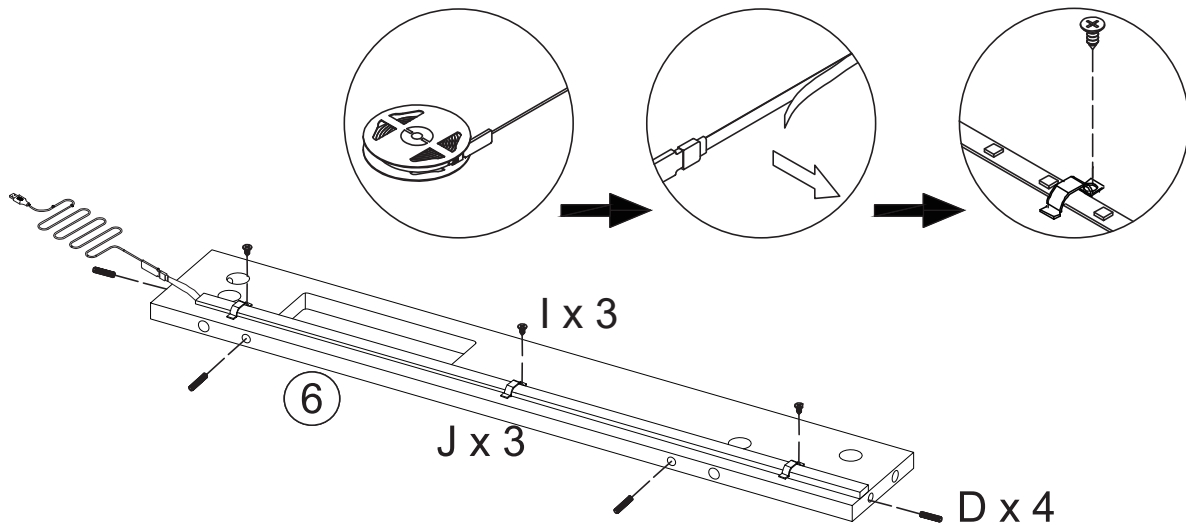
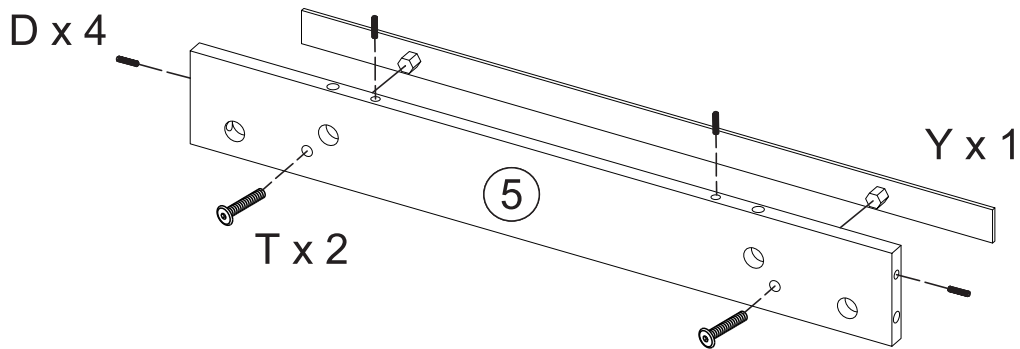
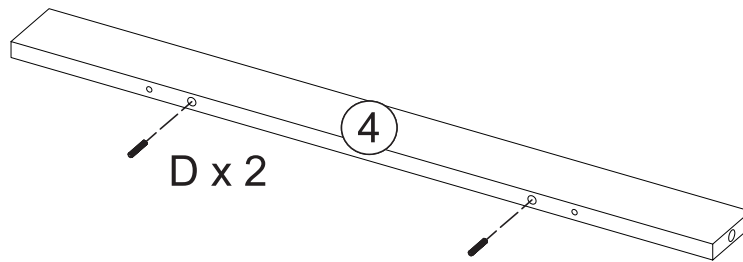


Tighten the screw K up to 70%

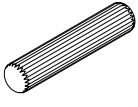
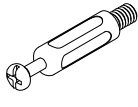
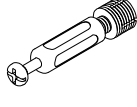
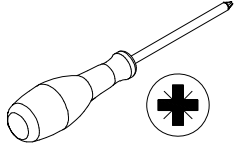


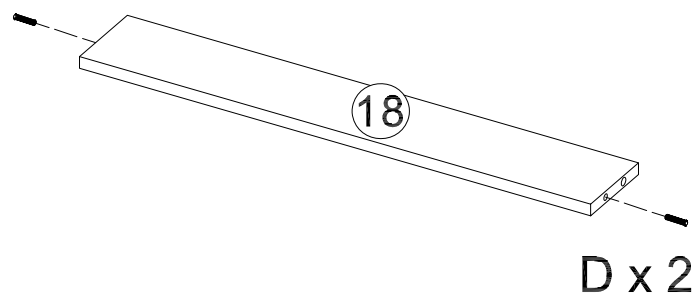
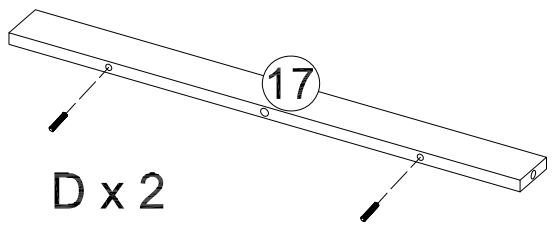
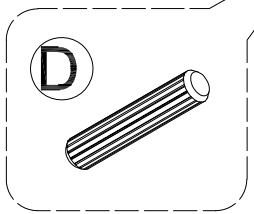
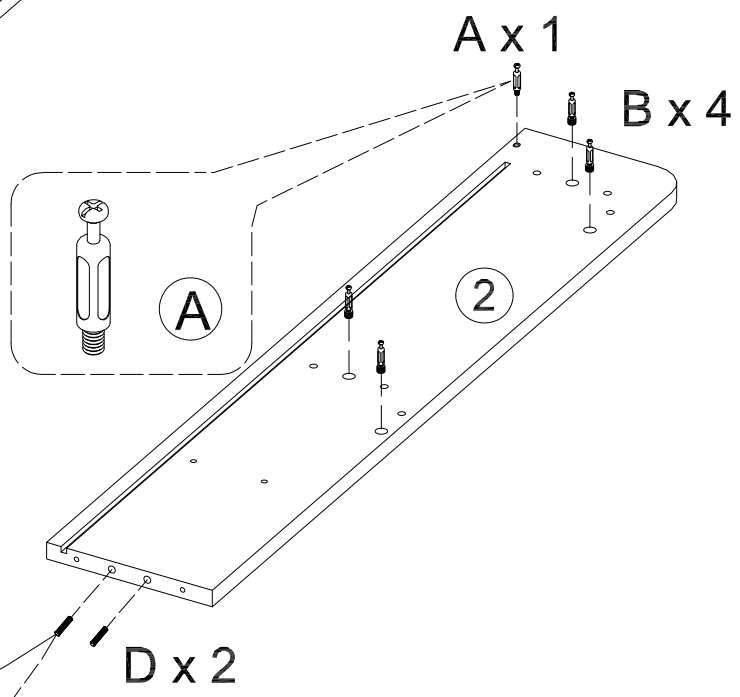
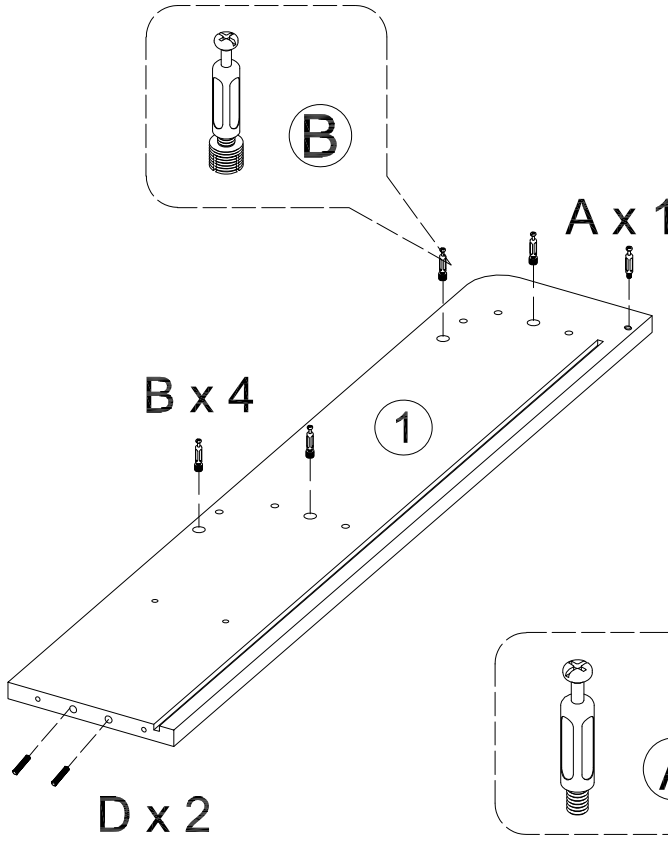
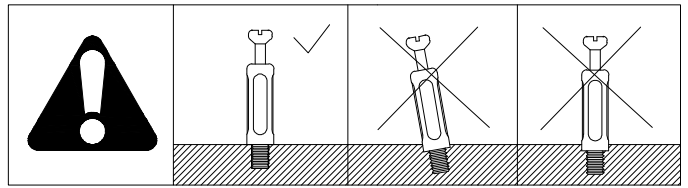
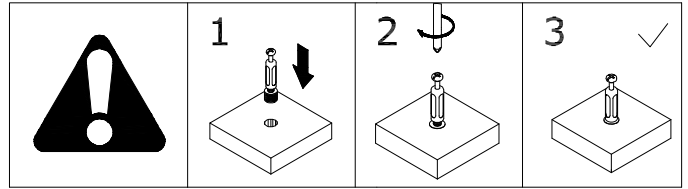
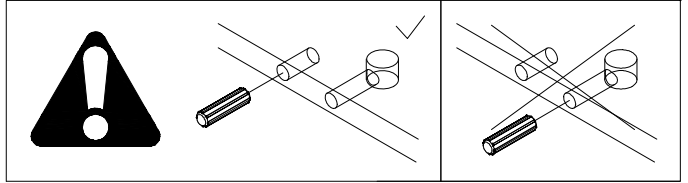
6

D x 10  Ø5.8 x 30mm	T x 2  Ø6 x 20mm	I x 3  Ø3.5 x 12mm	J x 3 	LED x 1 	Y x 1 
	Z x 1 				


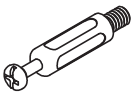

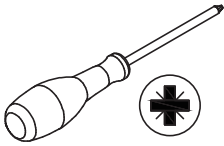


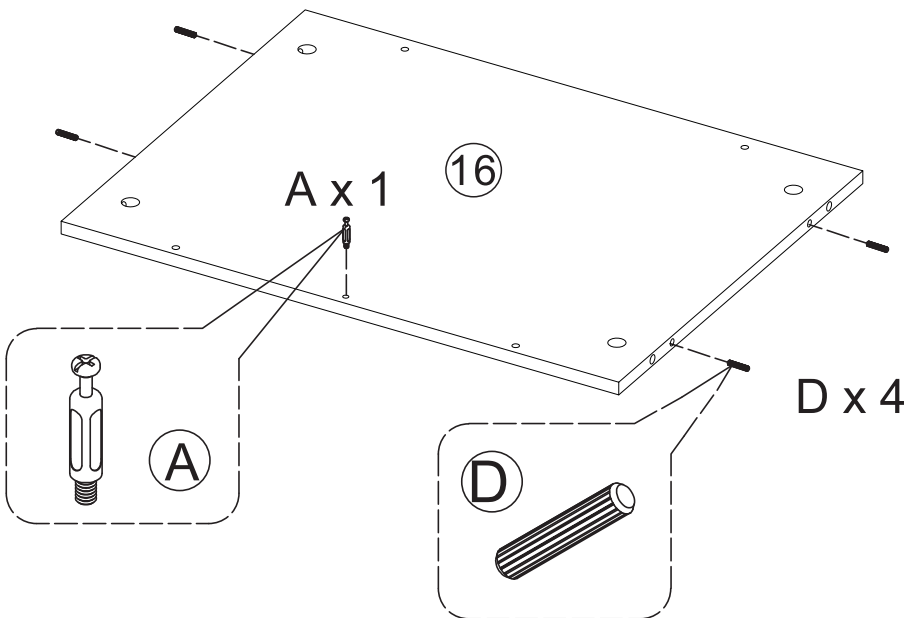
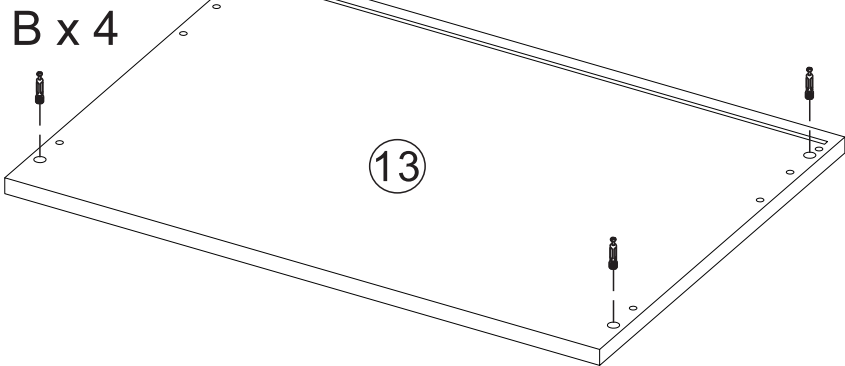
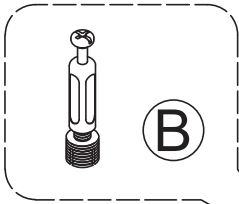
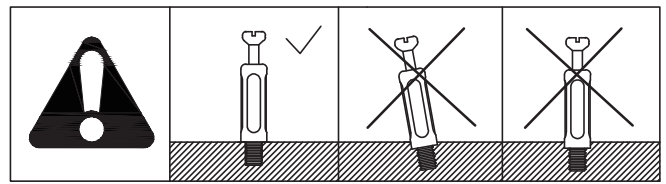
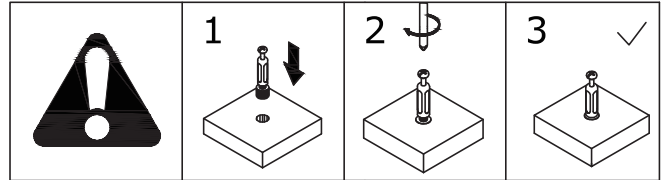
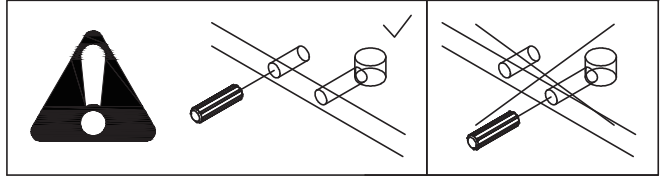
7

<p>D x 8</p>  <p>Ø5.8 x 30mm</p>	<p>A x 2</p>  <p>Ø7 x 40 mm</p>	<p>B x 8</p>  <p>Ø7 x 40 mm</p>	
---	--	--	---

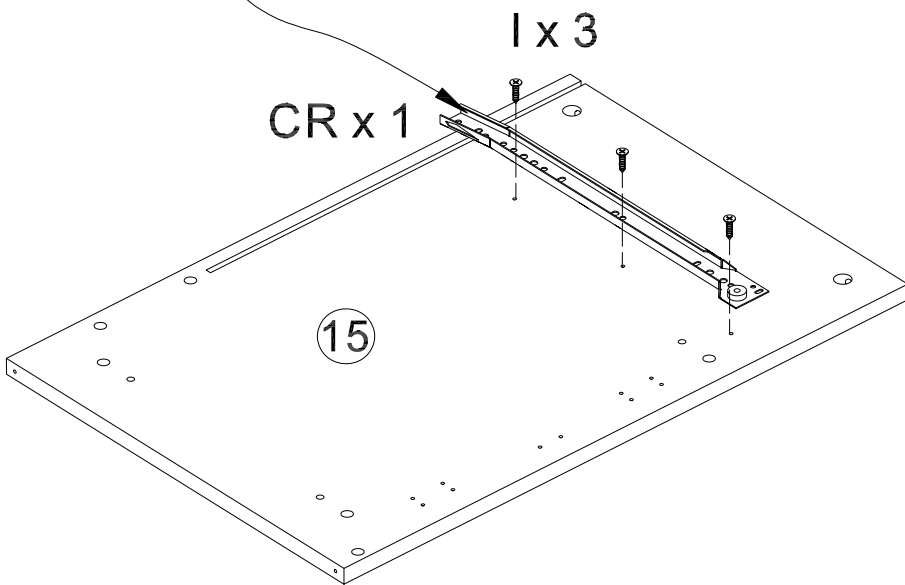
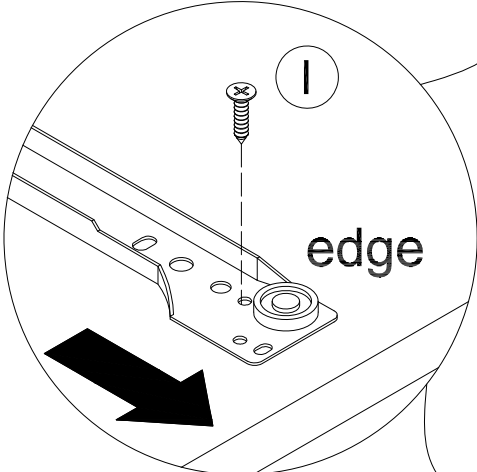
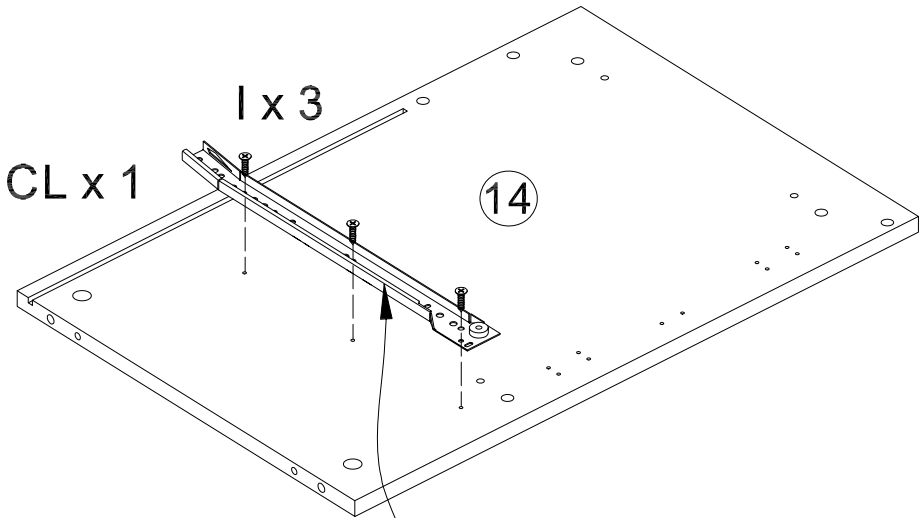
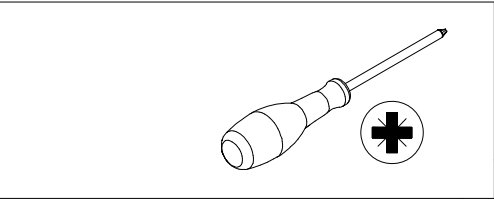
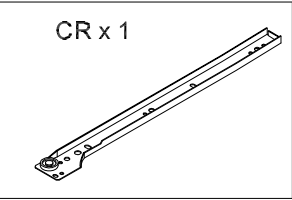
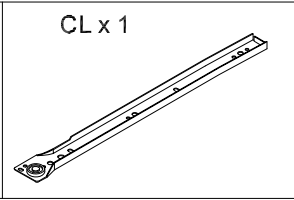
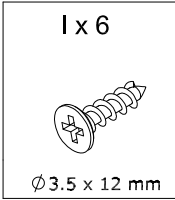


8

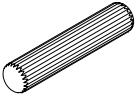
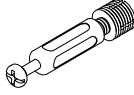
<p>D x 4</p>  <p>Ø5.8 x 30mm</p>	<p>A x 1</p>  <p>Ø7 x 40 mm</p>	<p>B x 4</p>  <p>Ø7 x 40 mm</p>	
---	--	--	---


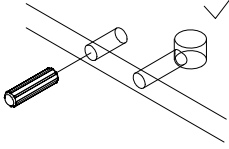
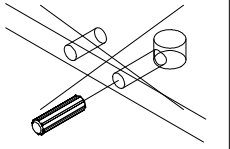



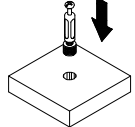
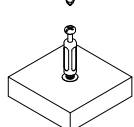
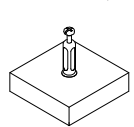
9




10


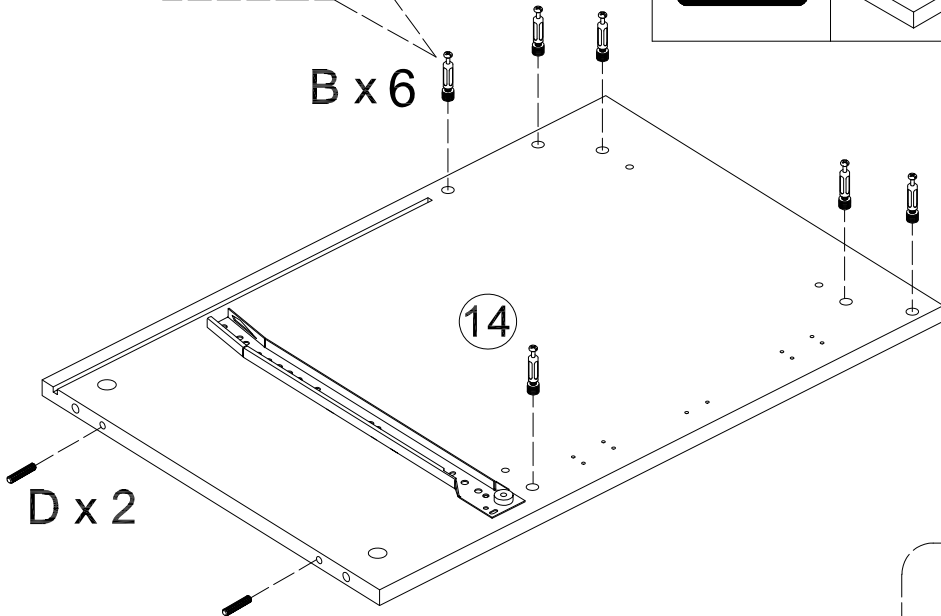
<p>D x 4</p>  <p>Ø5.8 x 30mm</p>	<p>B x 12</p>  <p>Ø7 x 40 mm</p>	 
---	---	---

		
---	---	---

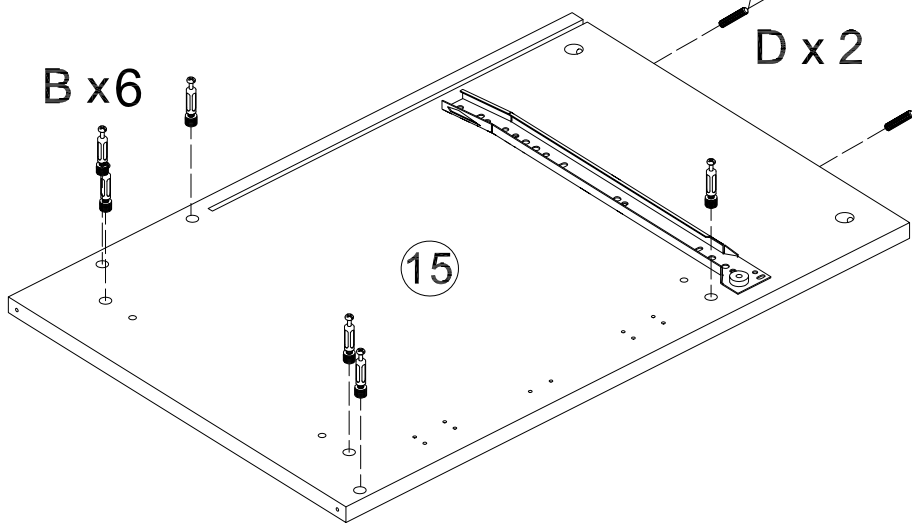
	<p>1</p> 	<p>2</p> 	<p>3</p> 
---	--	--	--



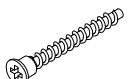
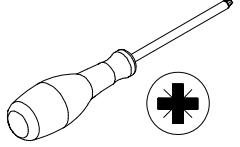
B

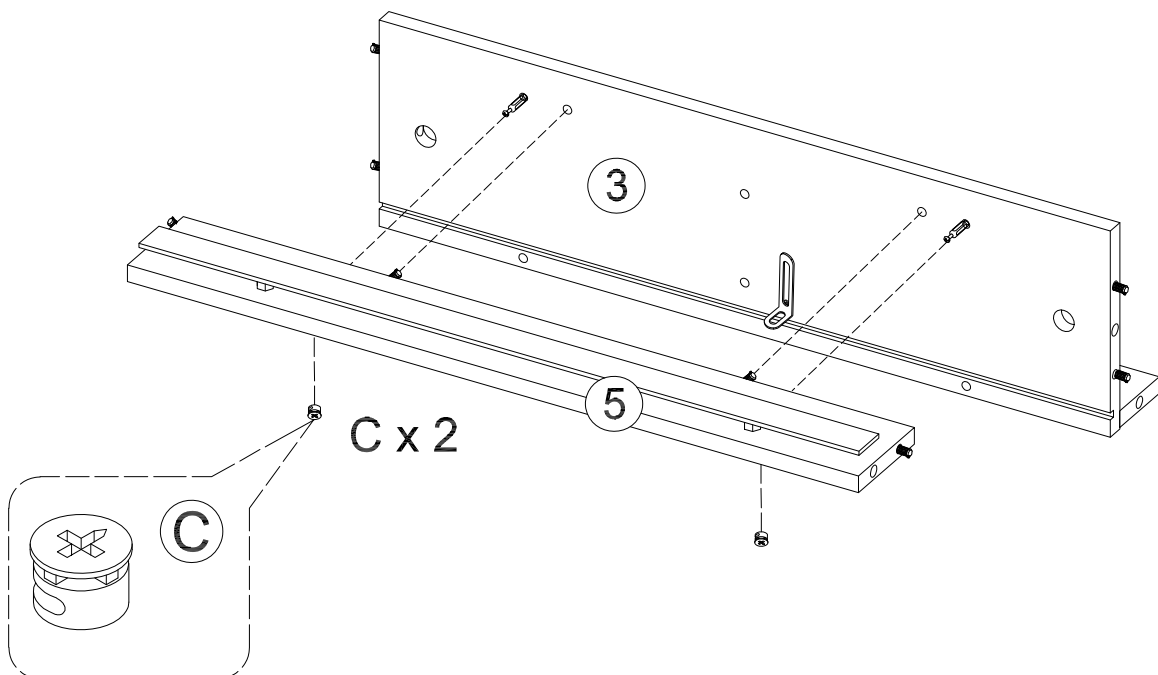
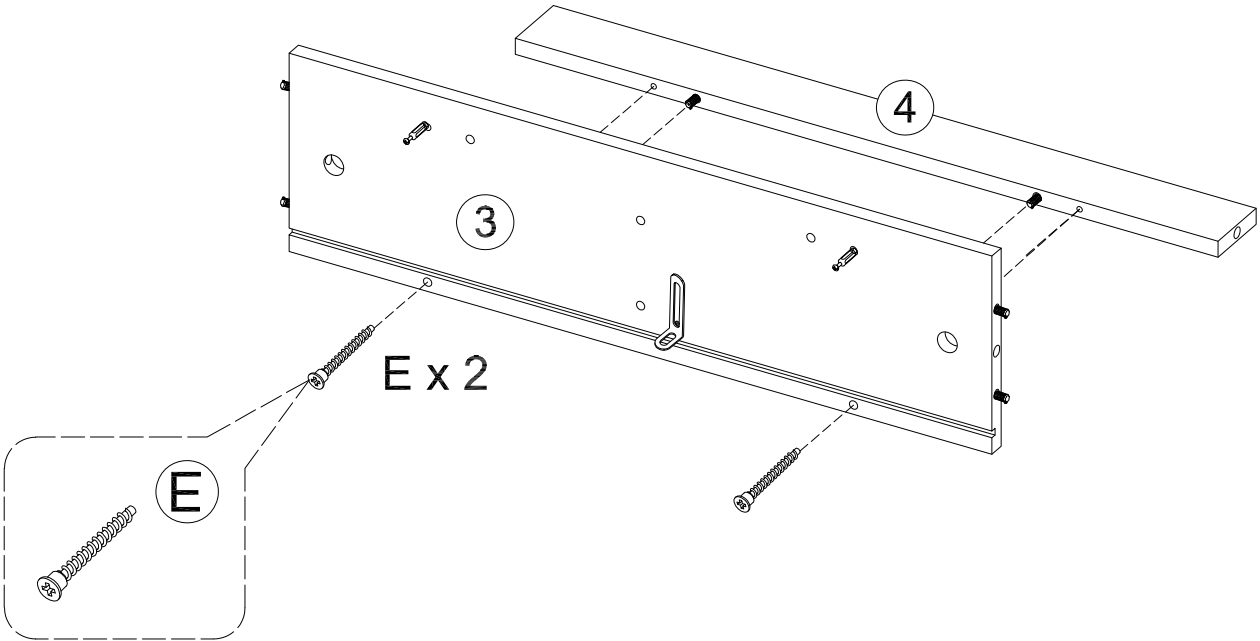


D


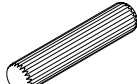
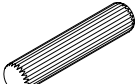
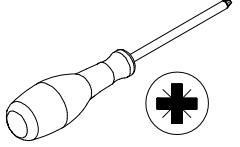


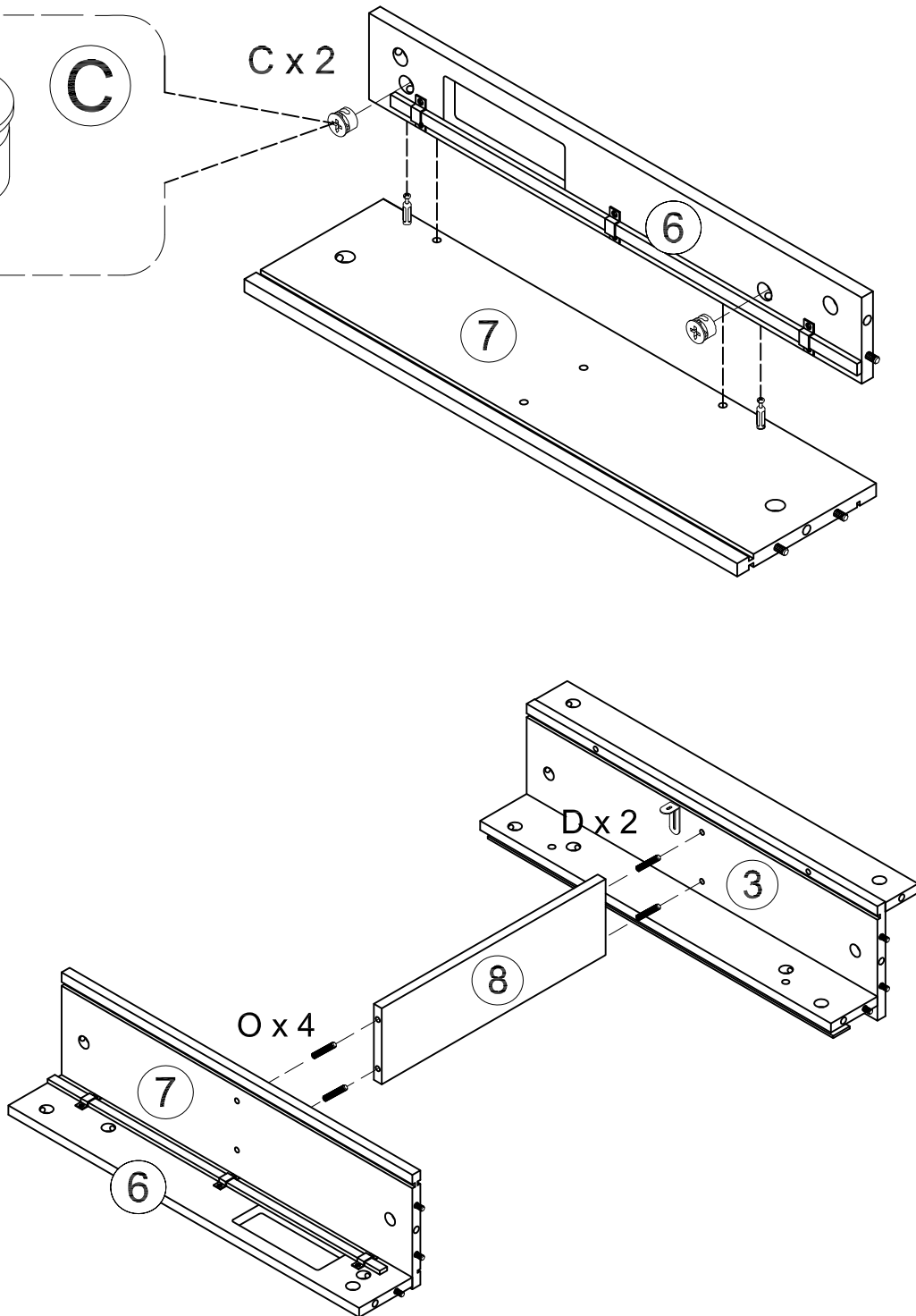
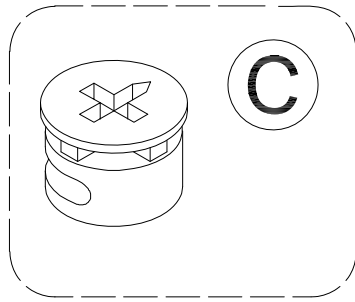
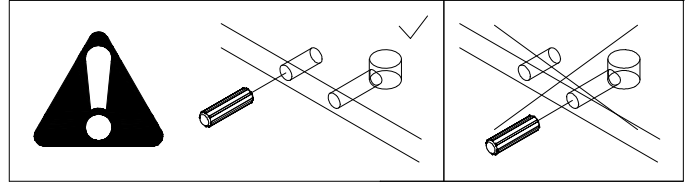
11

<p>C x 2</p>  <p>Ø 15 x 9.5mm</p>	<p>E x 2</p>  <p>Ø 5 x 38mm</p>	
--	--	---

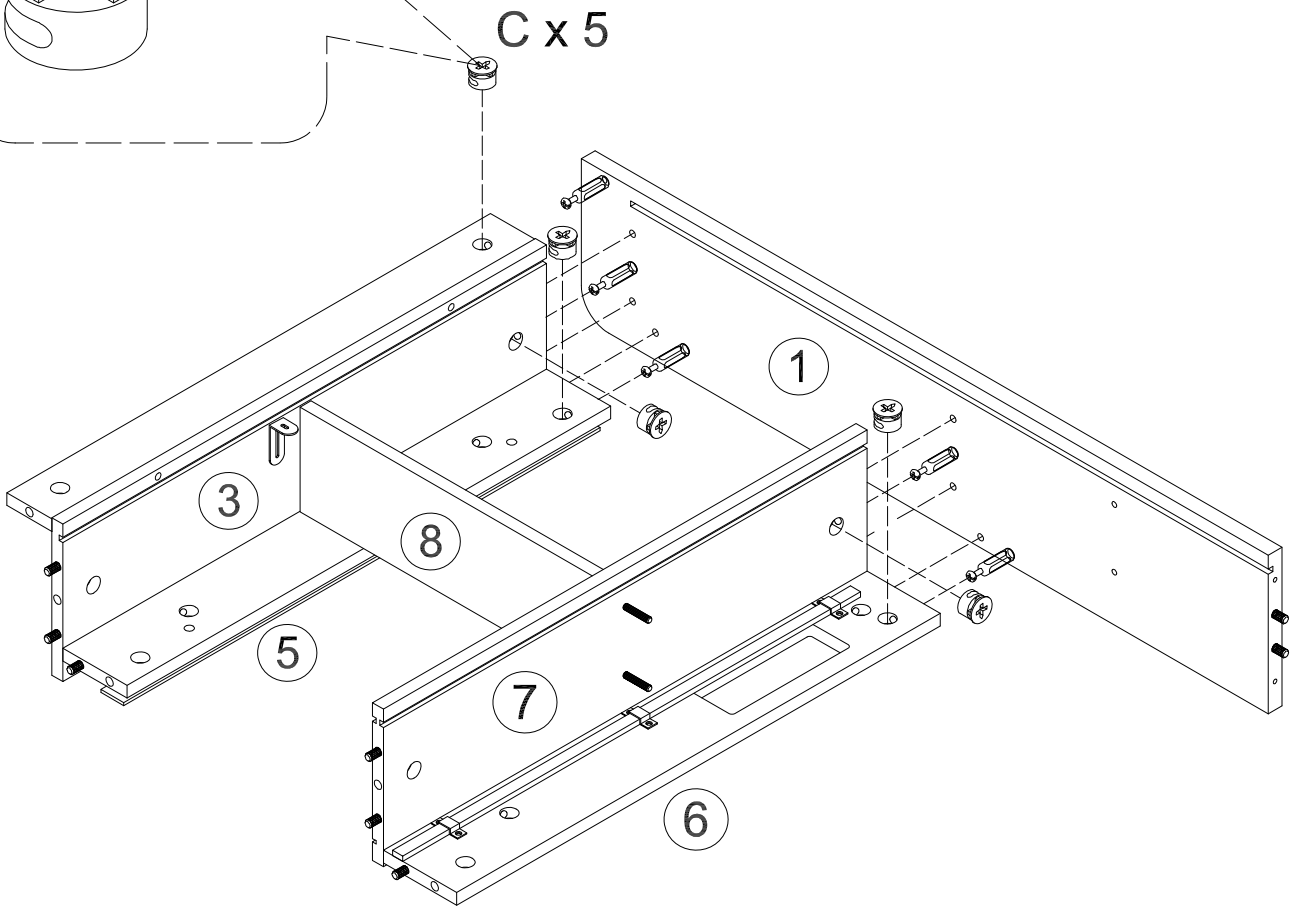
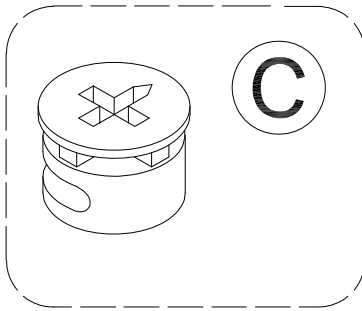
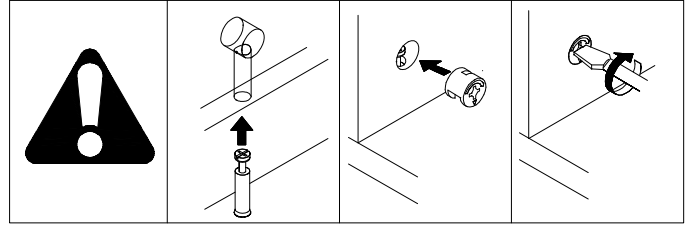
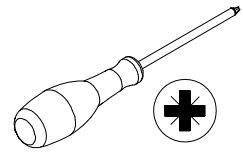
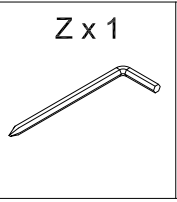
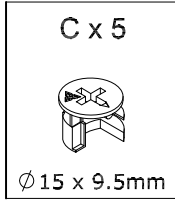


12

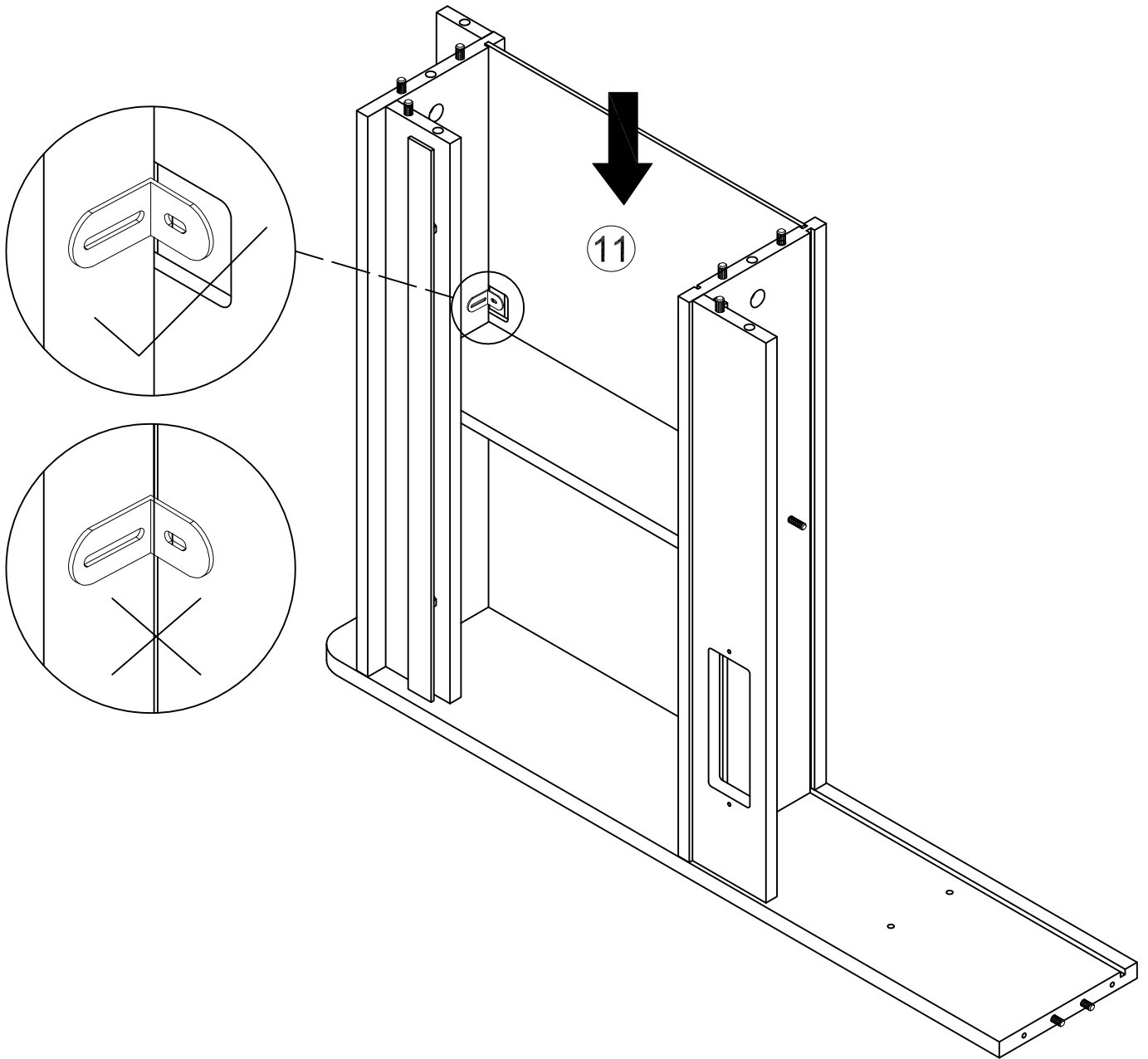
<p>C x 2</p>  <p>Ø 15 x 9.5mm</p>	<p>D x 2</p>  <p>Ø 5.8 x 30mm</p>	<p>O x 2</p>  <p>Ø 5.8 x 50mm</p>	
--	--	--	---



13



14



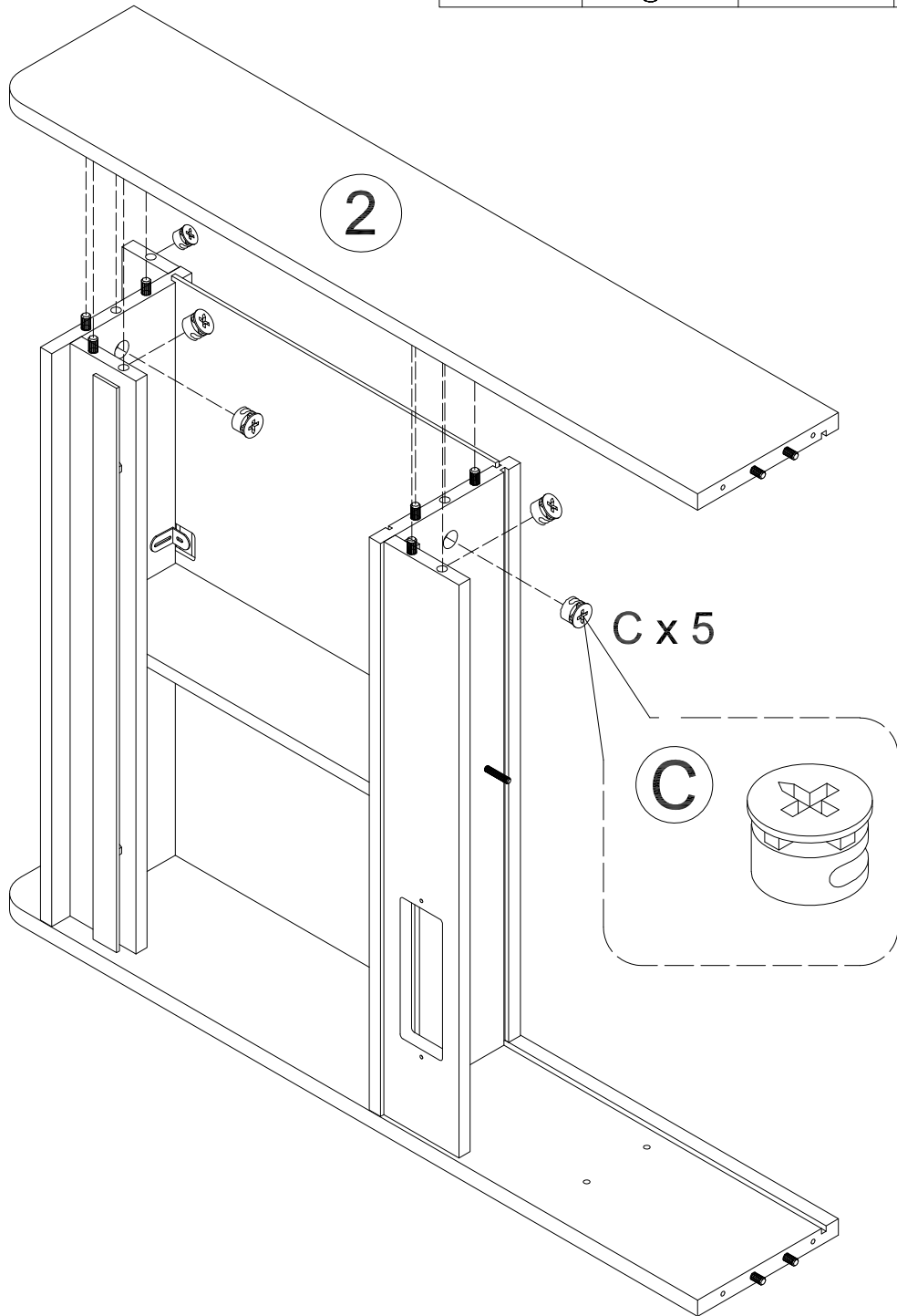
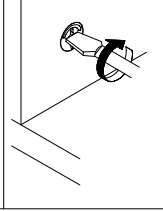
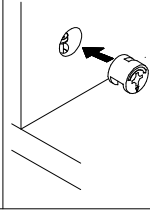
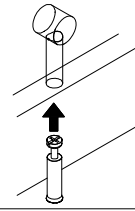
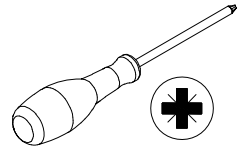
15

C x 5

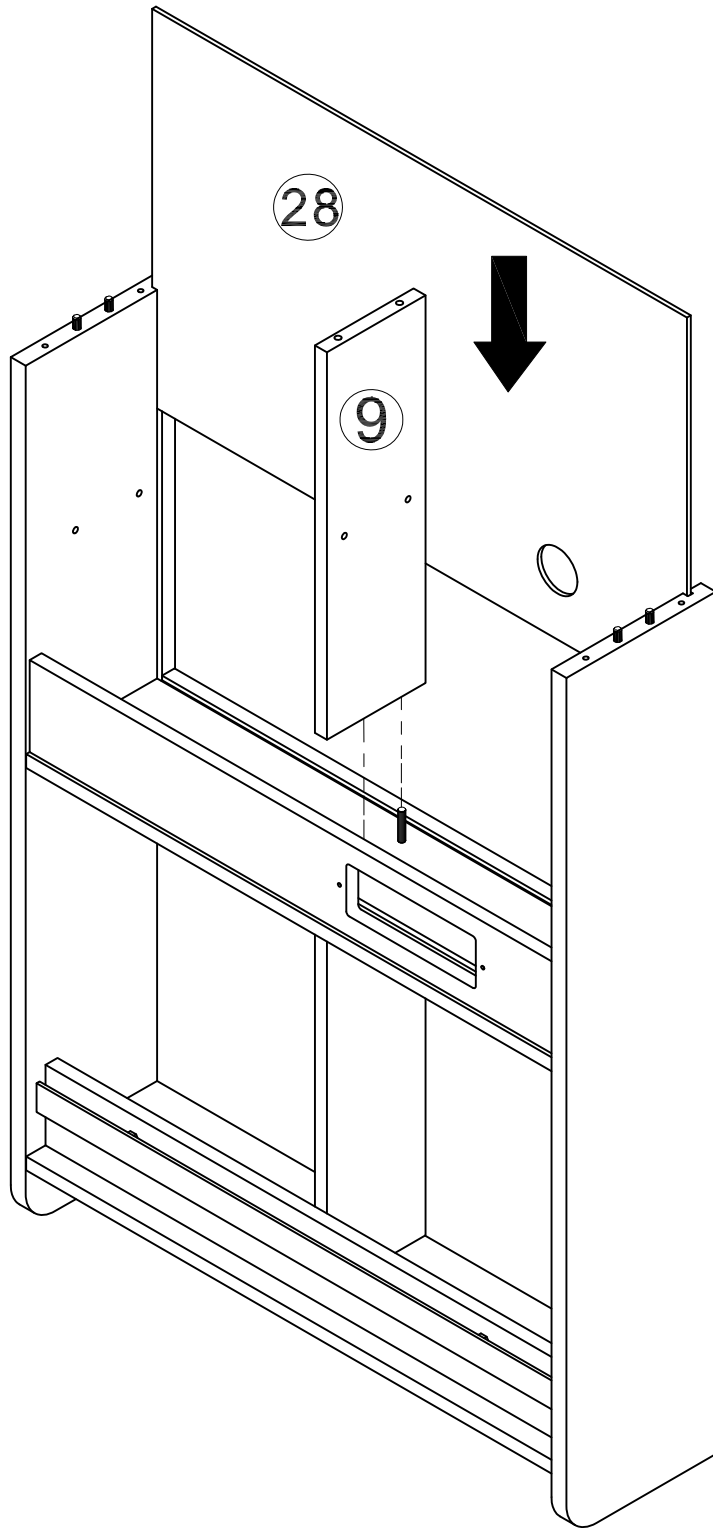


Ø 15 x 9.5mm


Z x 1

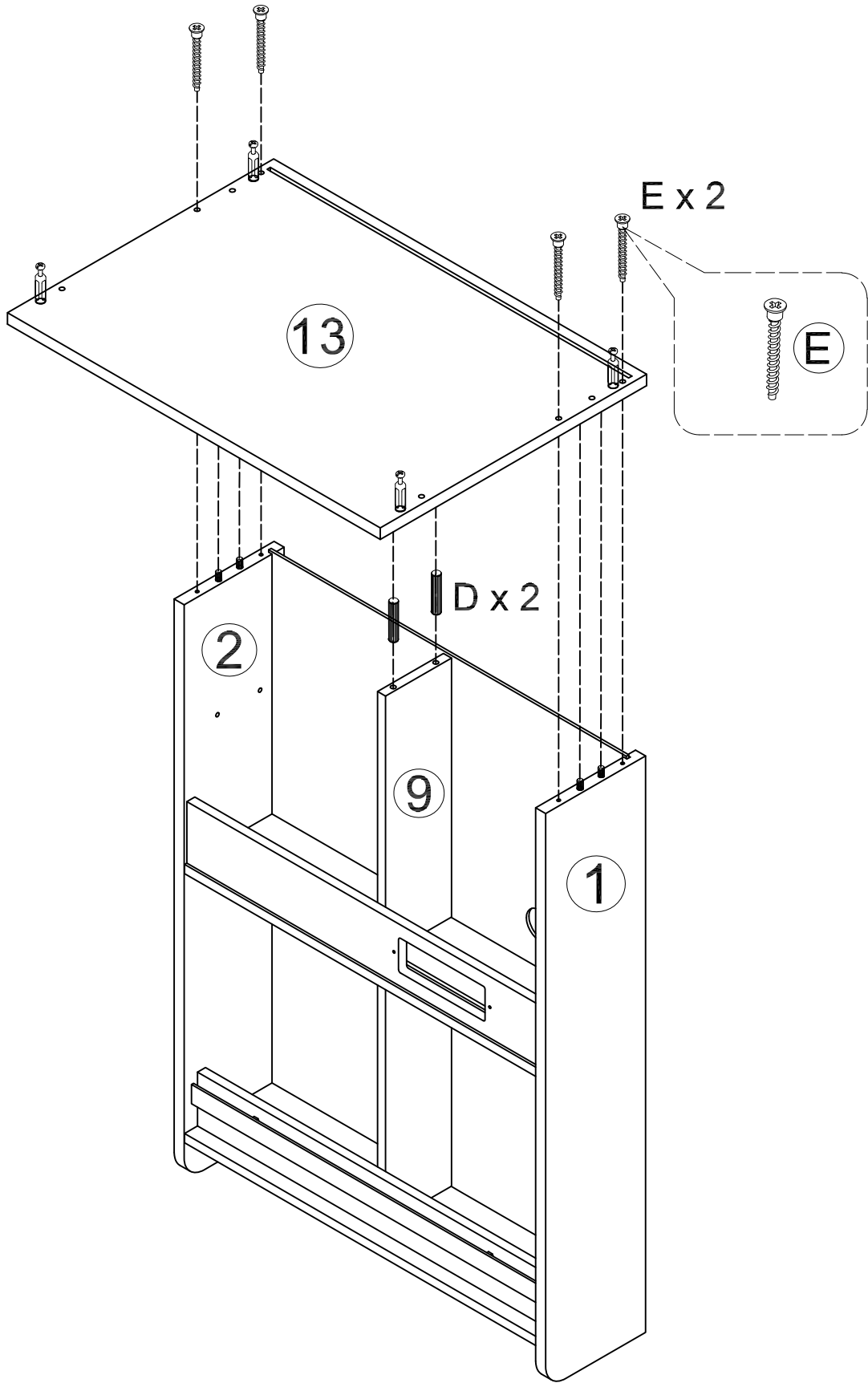


16


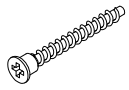
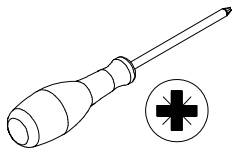



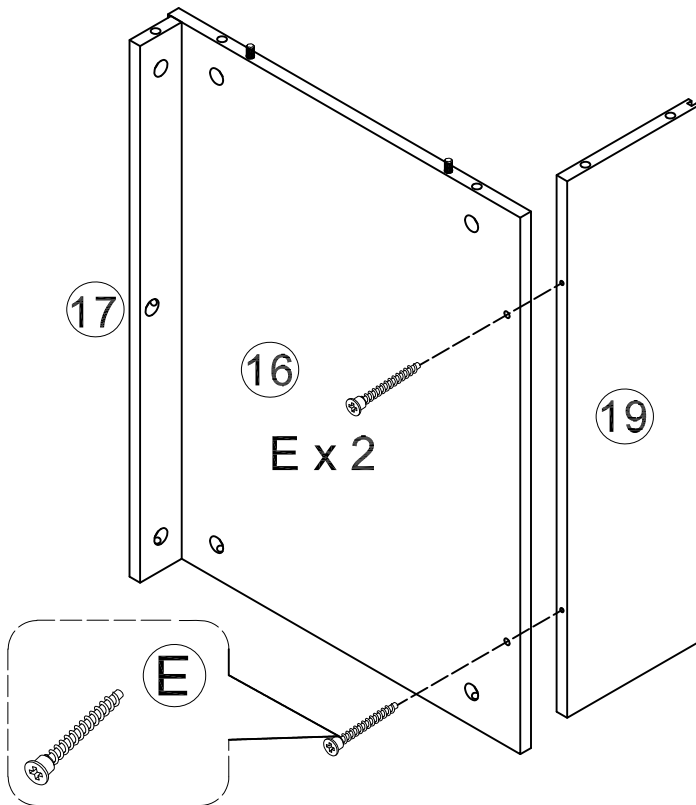
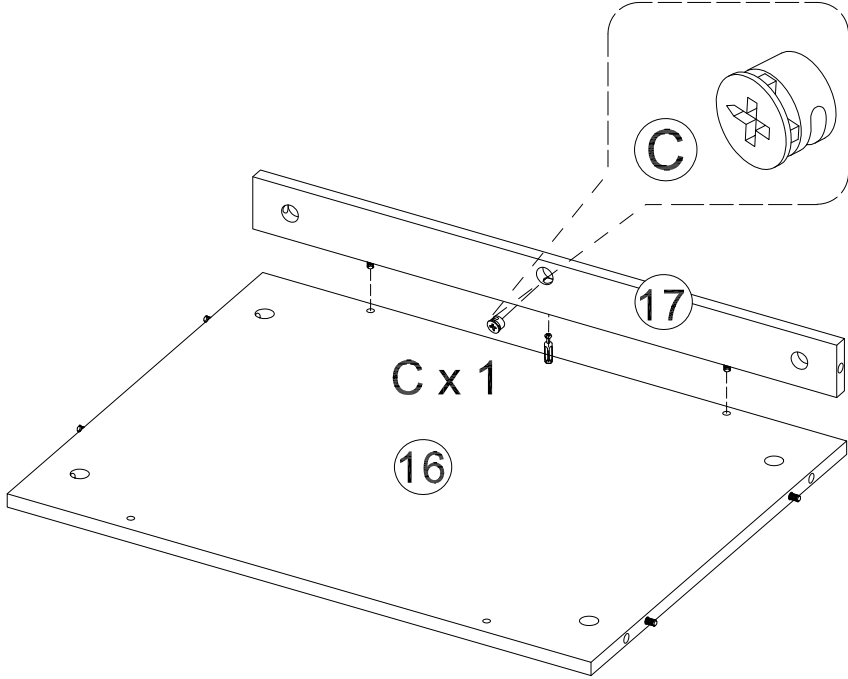
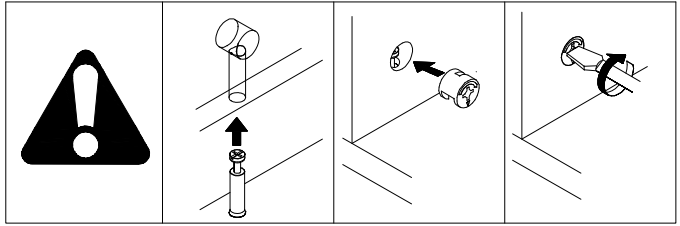
17

<p>D x 2</p>  <p>∅5.8 x 30mm</p>	<p>E x 4</p>  <p>∅5 x 38mm</p>	 
---	---	---



18

<p>C x 1</p>  <p>Ø 15 x 9.5mm</p>	<p>E x 2</p>  <p>Ø 5 x 38mm</p>	 
--	--	---

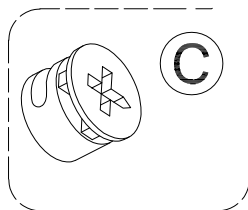
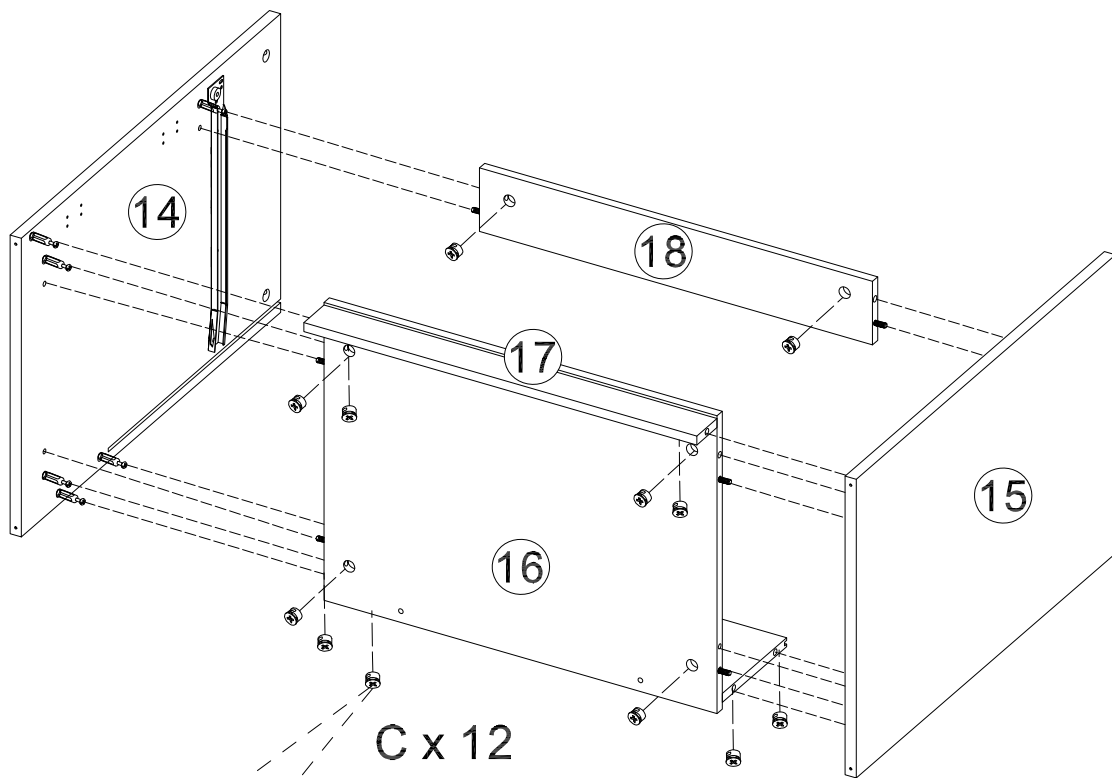
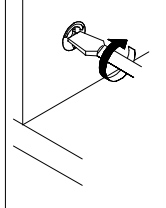
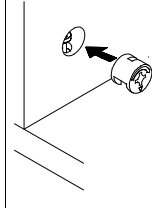
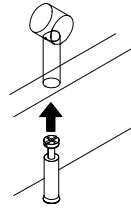
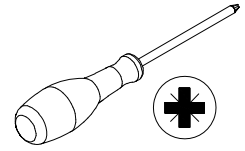


19

C x 12



Ø 15 x 9.5mm

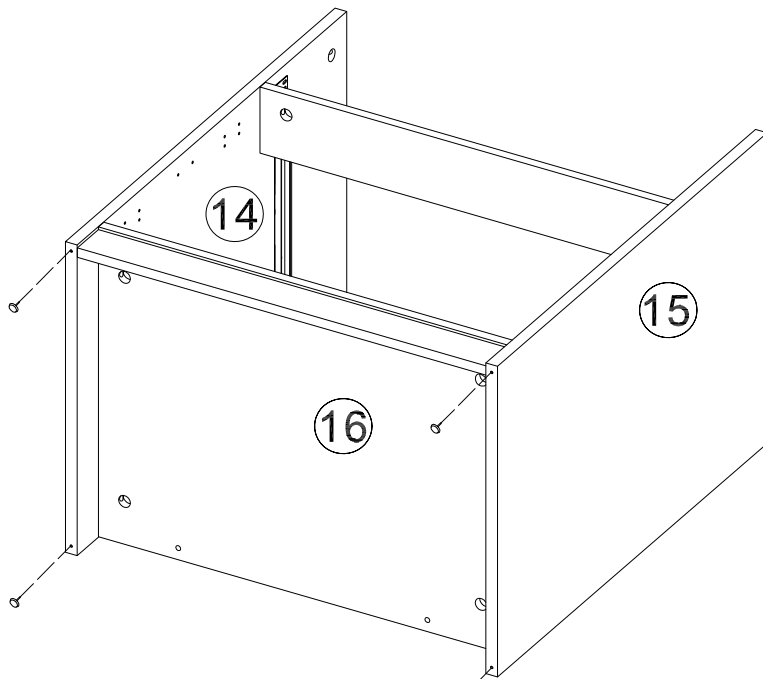
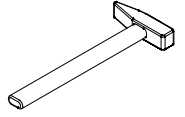


20

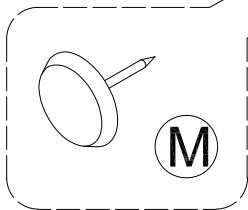
M x 4



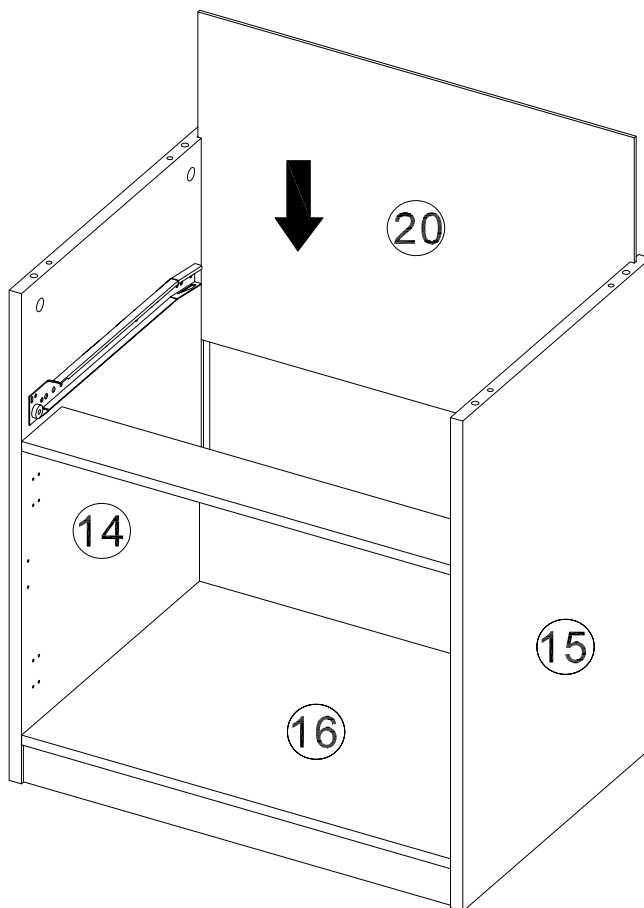
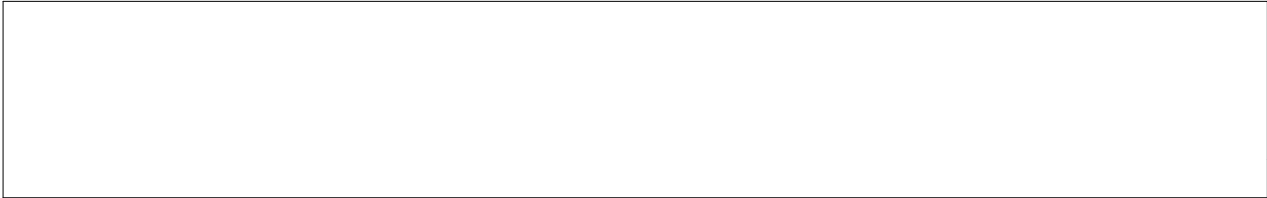
Ø 12 x 3mm



M x 4


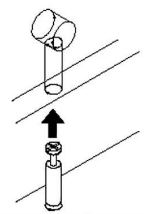
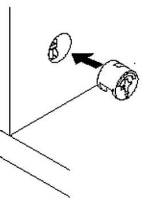
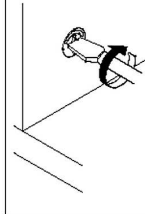


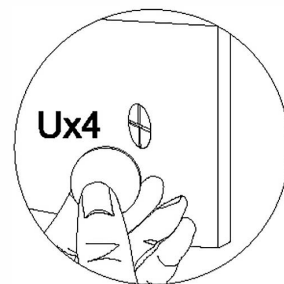
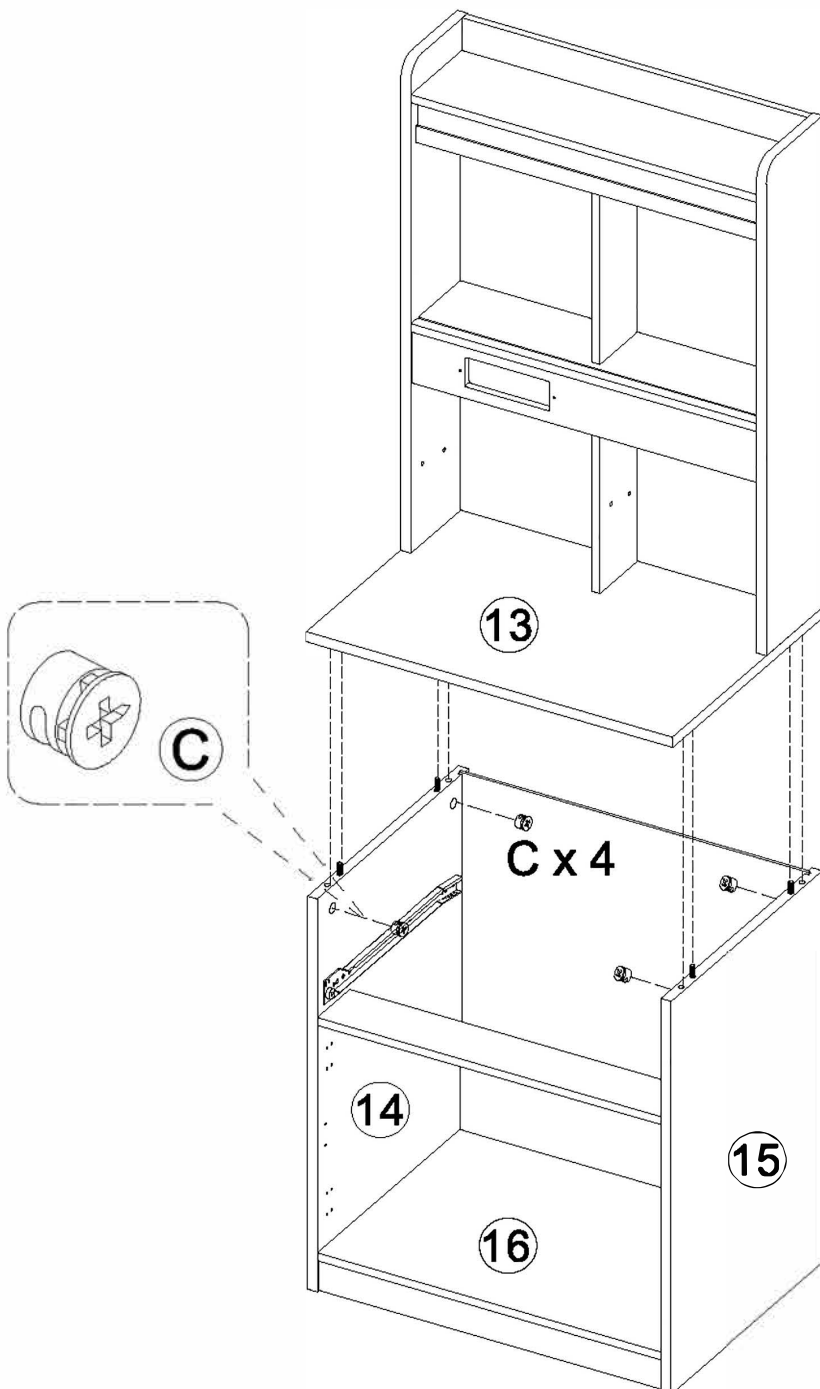
21



22

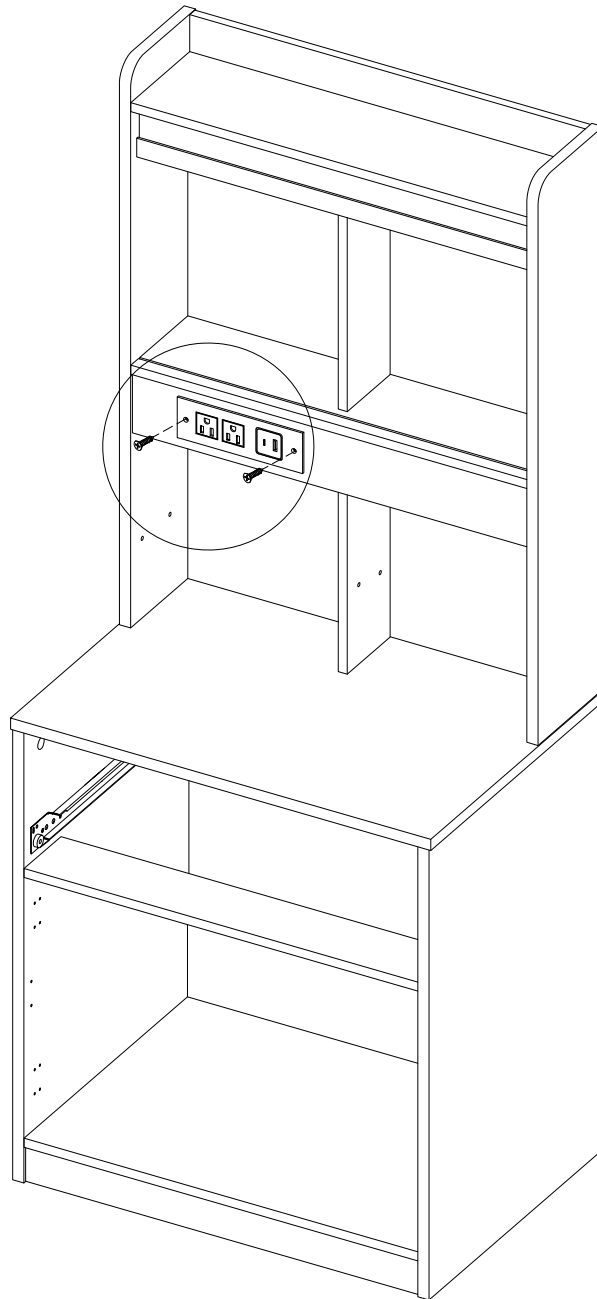
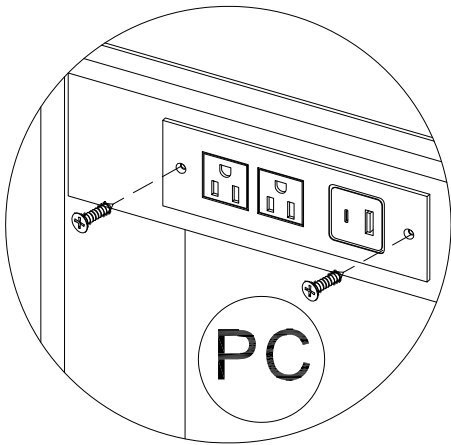
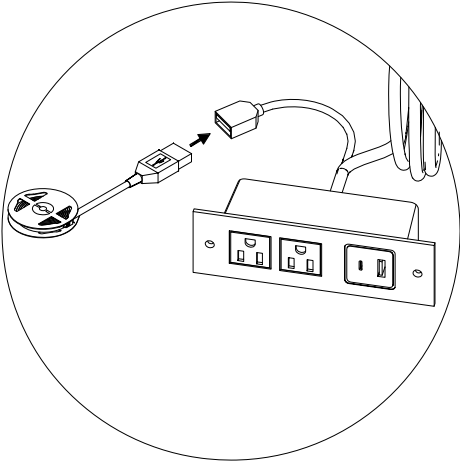
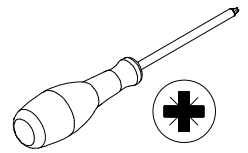
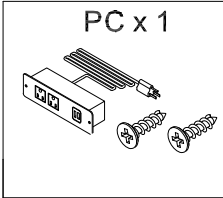
C x 4  Ø 15 x 9.5mm	U x 4 	
---	---	---

			
---	---	---	---



Use the stickers U to cover the cam locks on board 14&15

23



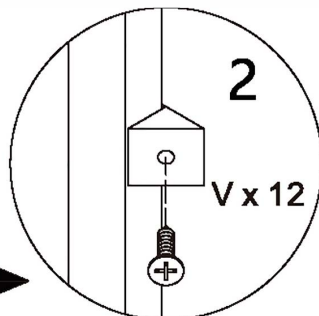
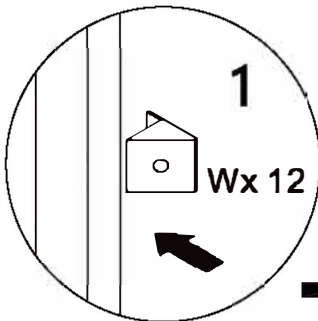
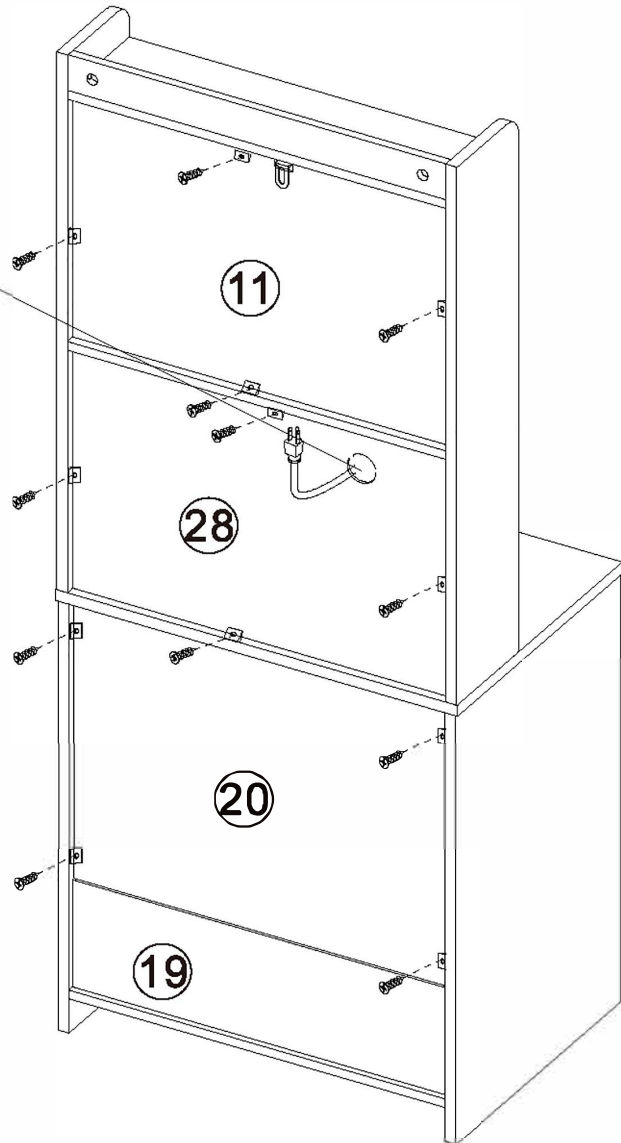
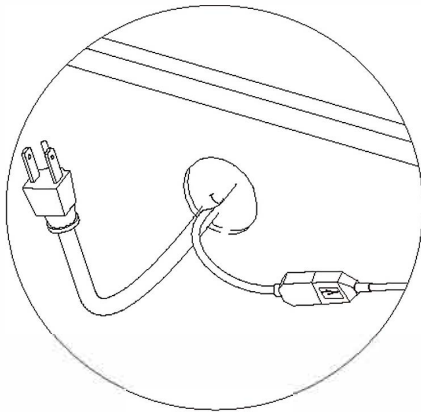
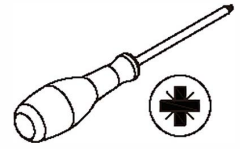
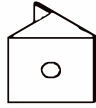
24

V x 12

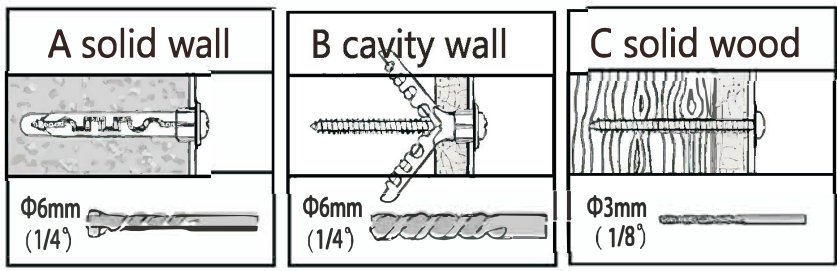
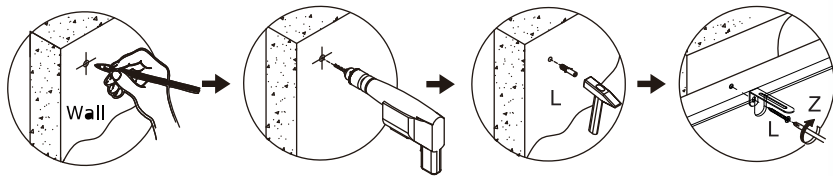


Ø 3.5 x 14mm

W x 12



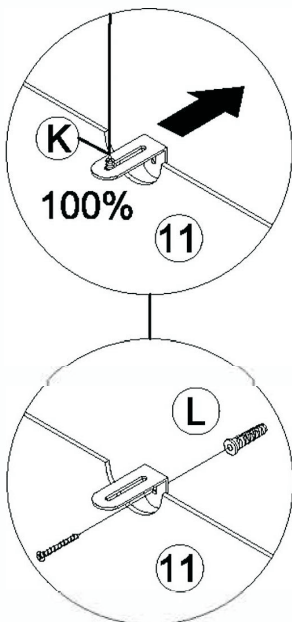
25



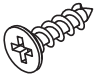



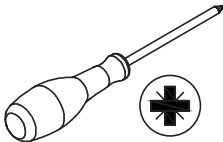

⚠ Warning: If you overturn the furniture, it may cause serious or fatal crushing injuries. We have a wall connection device attached, please use it to hold the furniture following these instructions.

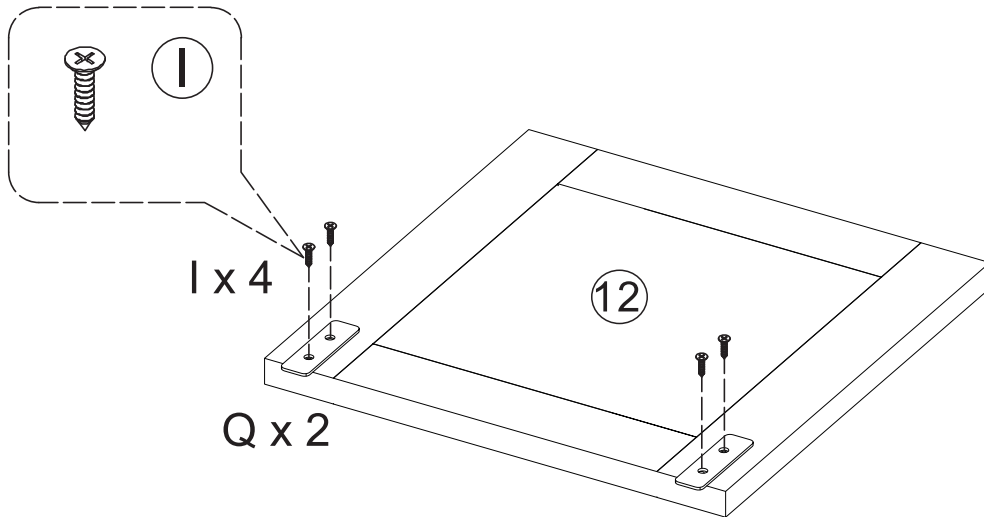
1. Mark the corresponding hole positions where you want to place the furniture;
2. Use a impact drill to drill holes and pay attention to avoid wires and water pipes;
3. Knock the expansion pipes into the wall holes;
4. Place the furniture in the corresponding position and tighten the wall connection device with screws.

Ad just the bracket forward and tighten the screw K.

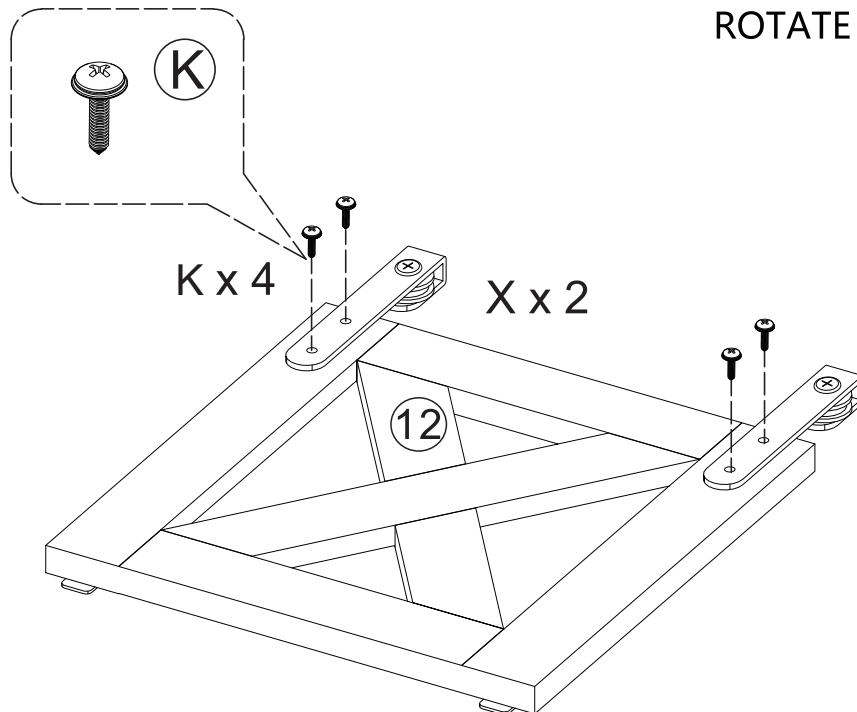


26

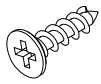
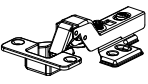


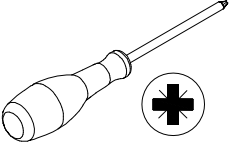
<p>I x 4</p>  <p>Ø 3.5 x 12 mm</p>	<p>Q x 2</p> 	<p>X x 2</p> 	<p>K x 4</p>  <p>Ø 3.5 x 14 mm</p>	 
---	--	--	---	---

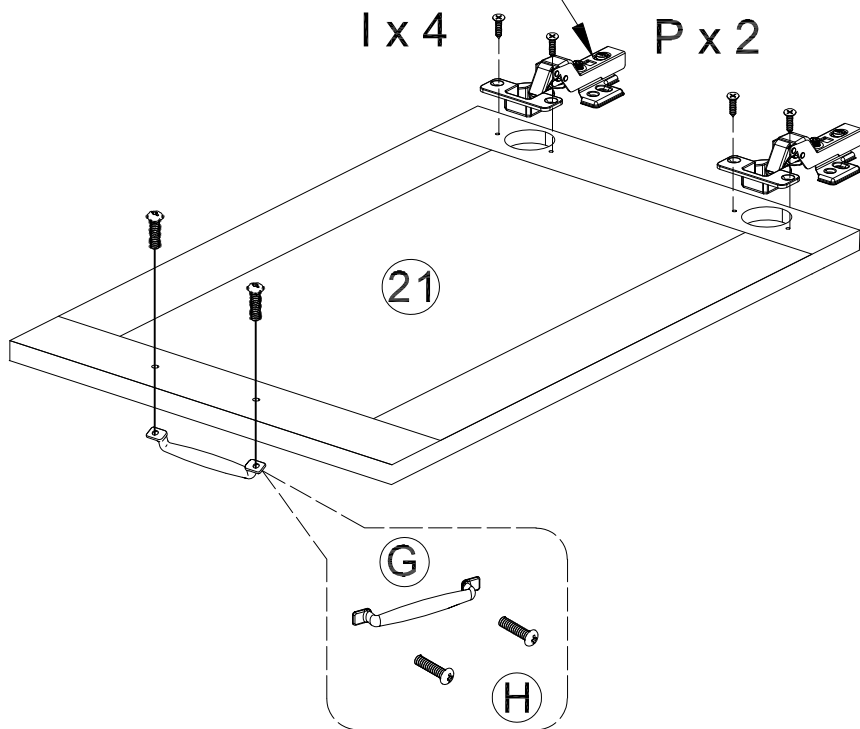
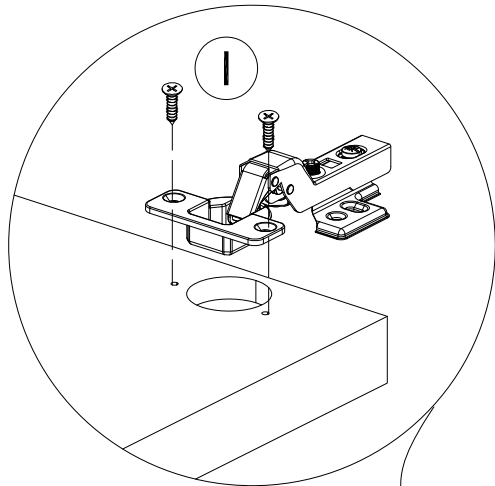


ROTATE 180°

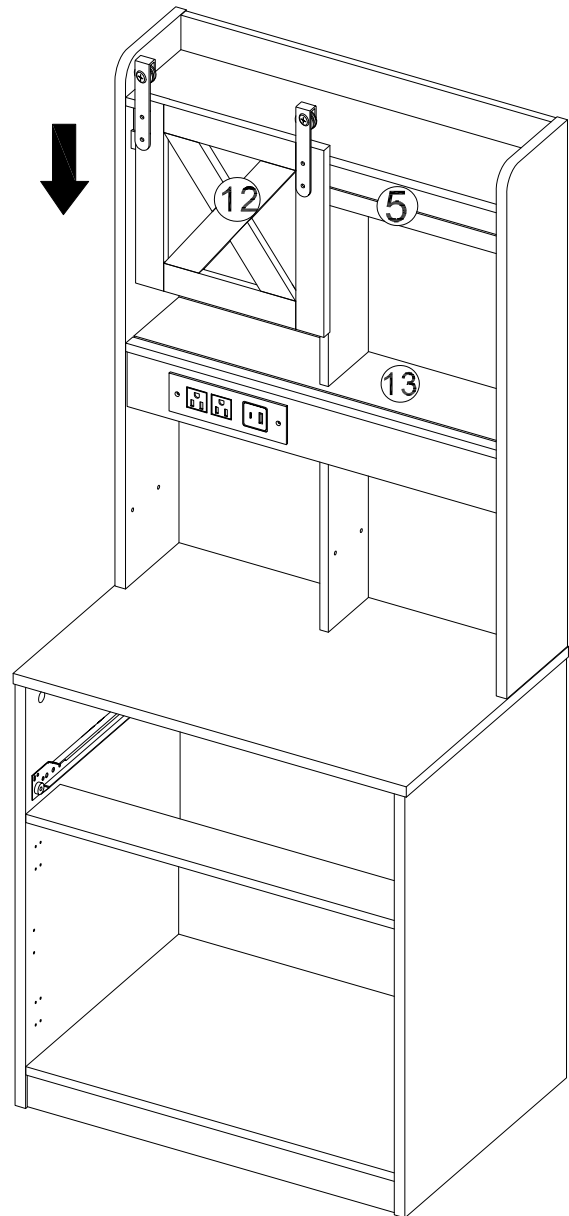
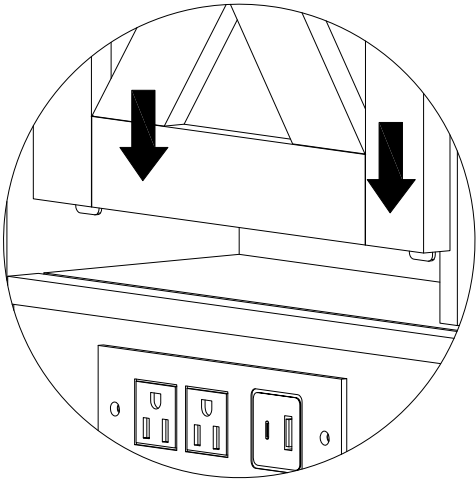
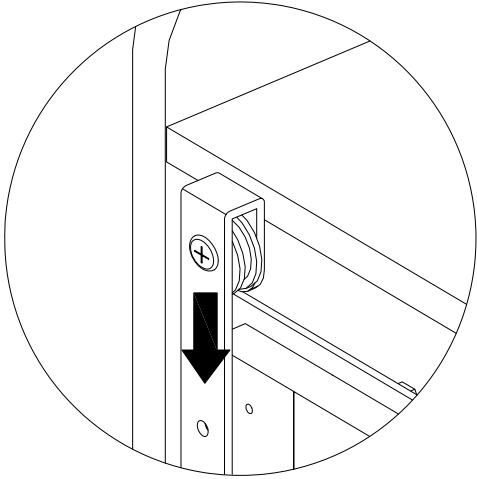


27

<p>I x 4</p>  <p>Ø3.5 x 12 mm</p>	<p>P x 2</p> 	<p>G x 1</p> 	<p>H x 2</p>  <p>Ø4 x 20mm</p>	
--	--	--	---	---

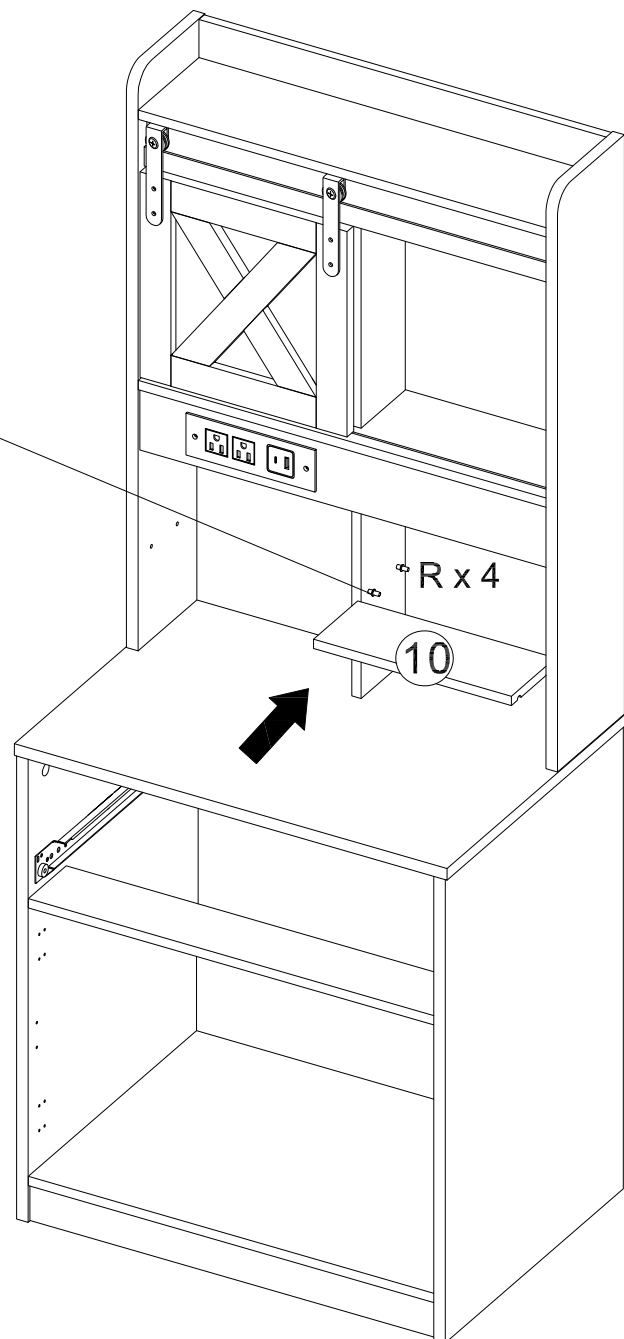
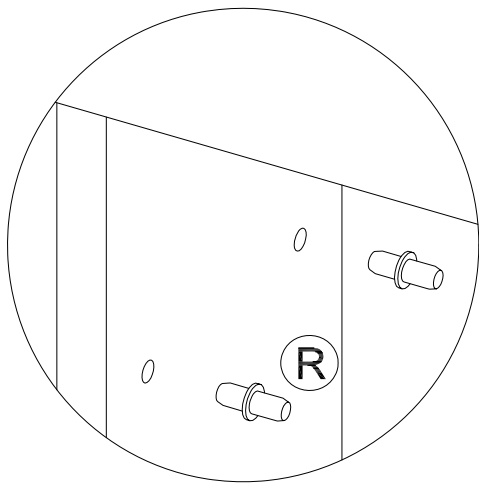


28

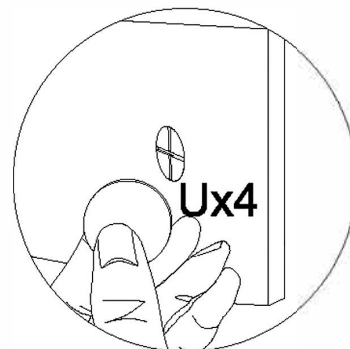
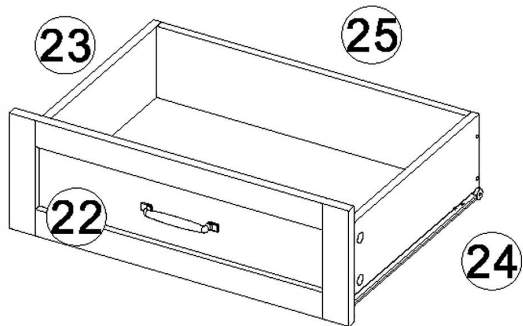


29

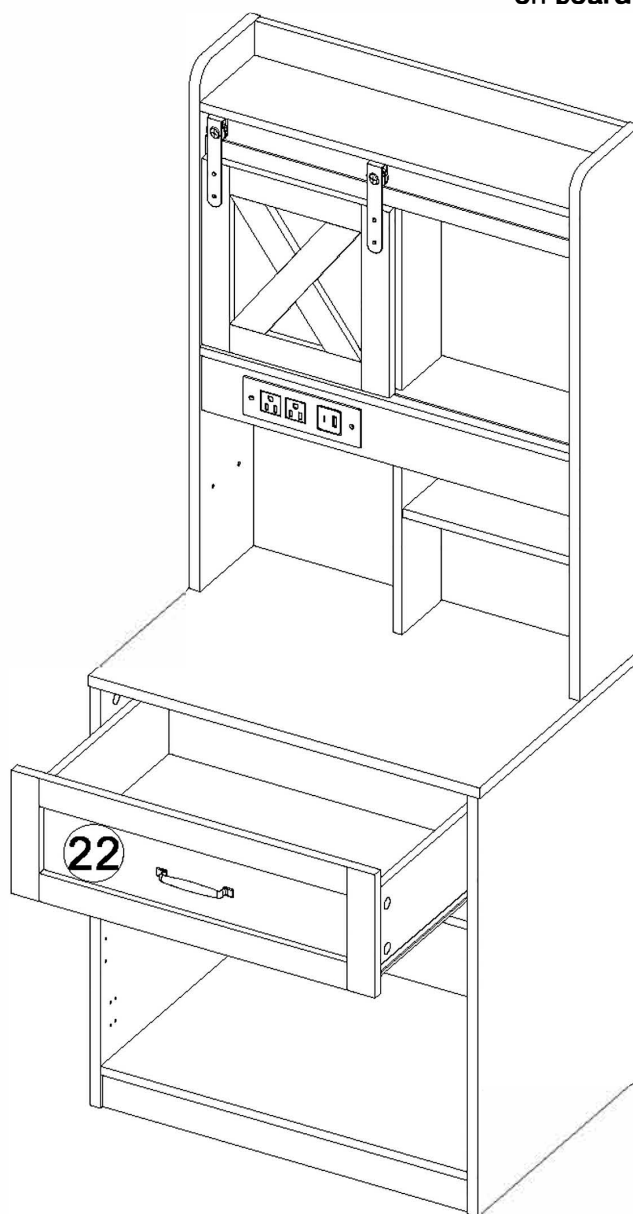
R x 4



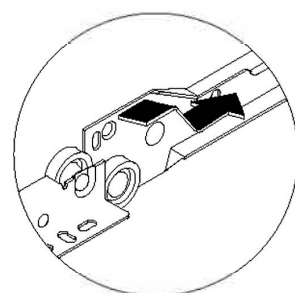
30



Use the stickers U to cover the cam locks on board 23&24

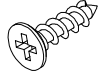


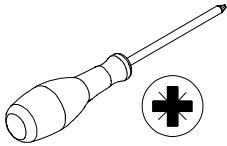


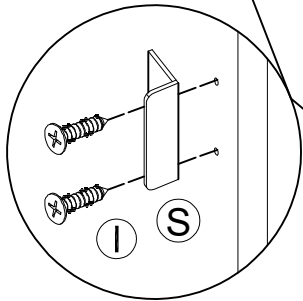
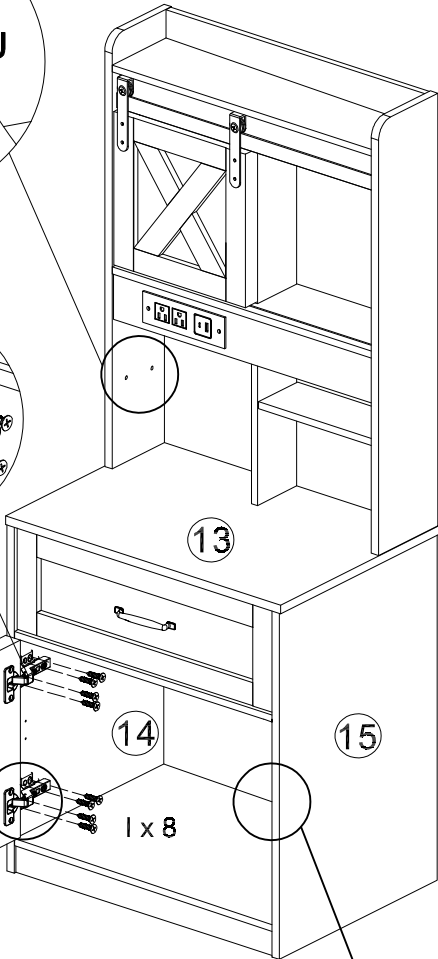
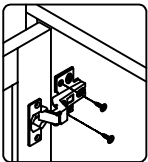
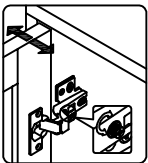
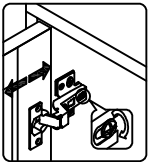
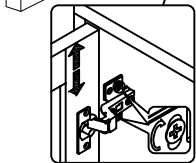
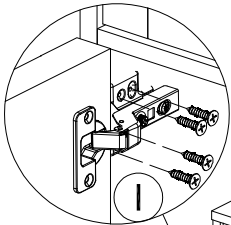
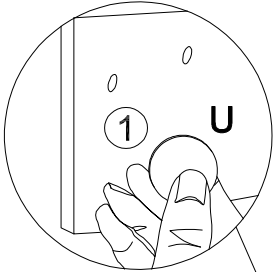
Cabinet Slide



Drawer Slide

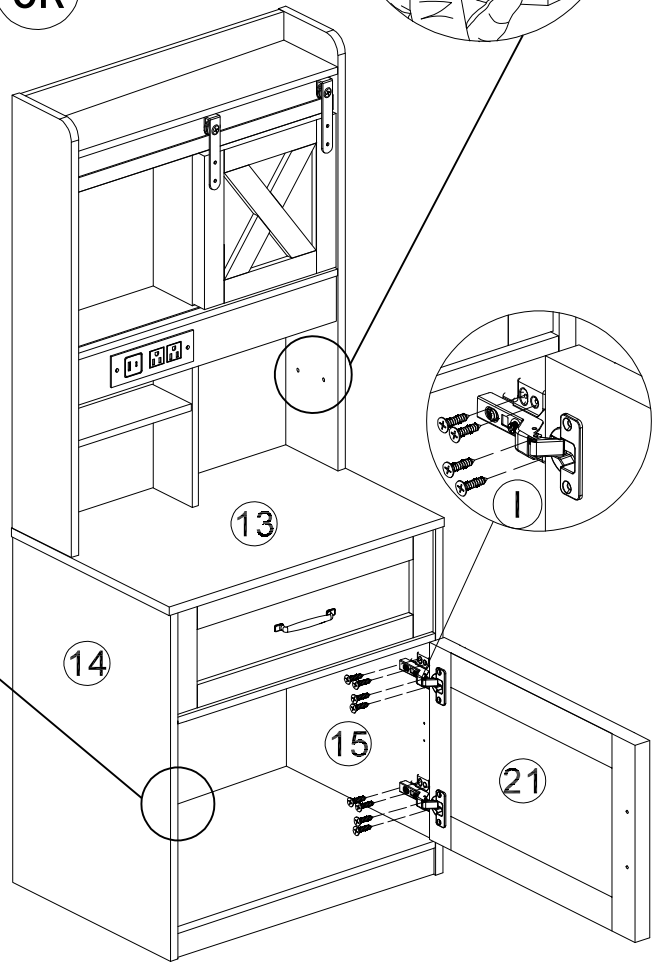
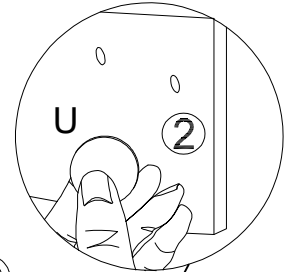
31

I x 10  Ø 3.5 x 12 mm	S x 1 	U x 4 	
--	--	--	---



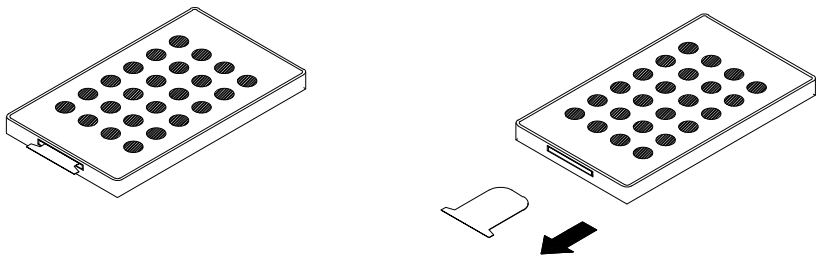
OR

Use the stickers U to cover the holes

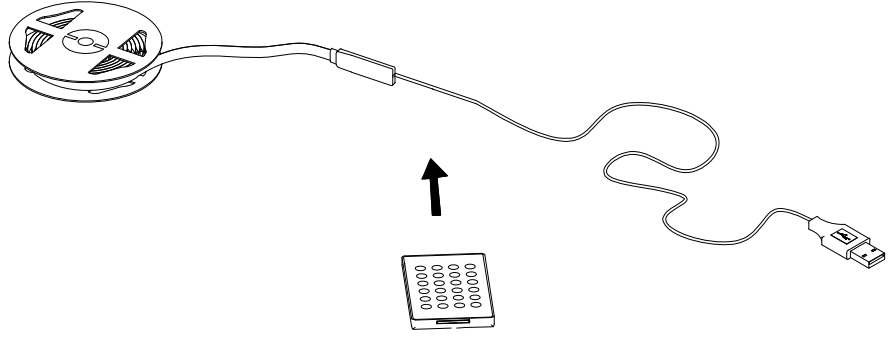


32

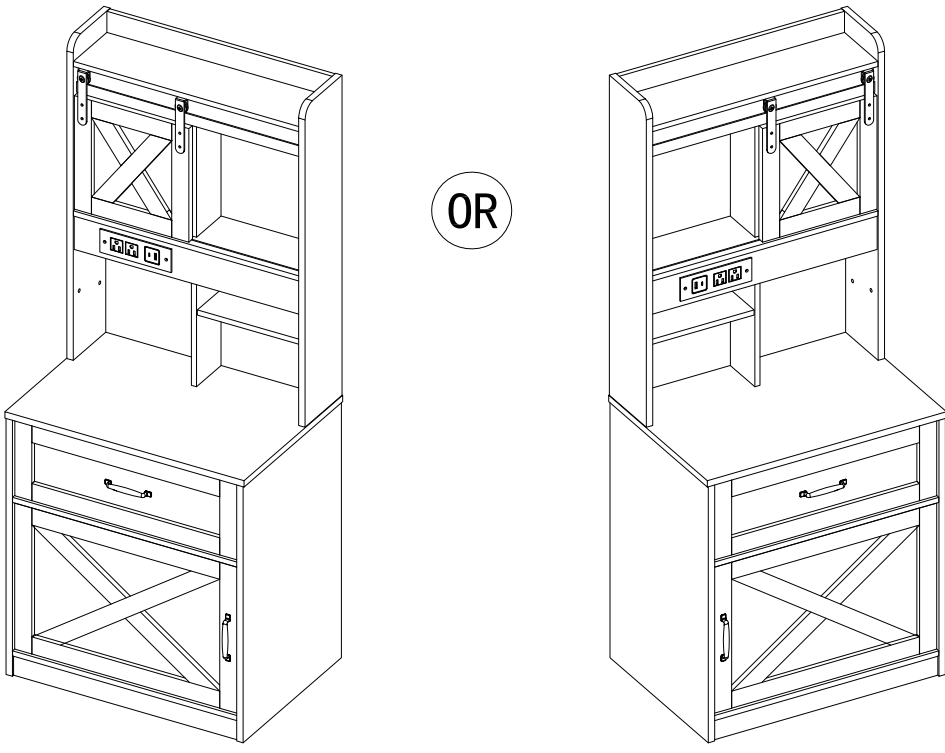
-LED lamp with effective remote control distance of 5 meters



1. Take out the remote control gasket



2. Align remote controller to the RGB Control box to adjust the color mode



- Installation complete.

APP Manual

1. Software Overview

1.1 Overview

The traditional control ways like infrared, 433MHz, 2.4GHz and others old wired ways will be replaced by mobile phone control way with convenient, powerful and scalable features.

Through this mobile APP, you can not only control the color, brightness and color temperature of the LED strips but also set up all kinds of fancy flash mode. Also this APP can change the light of the LED strip according to the rhythm of the music. This APP can set and control several LED strips through Bluetooth and the operation is very simple, easy to learn and easy to use.

1.2 Features

- Adjust color LED strips with 60,000 colors to change color and brightness and adjust monochrome LED strips to change brightness and color temperature
- Play music or turn on a sound playback device, you can let the light change the color and brightness with the rhythm of music, the music rhythm beautiful
- Inside multiple setting mode for color change and control LED strips without mobile
- Long distance control with omni-directional antenna, and many-to-many group control mode
- Once the connection is successful, connect automatically next time

1.3 Performance

APP is easy for use as well as great compatible for all kinds of smart phones. After the actual test of hundreds of mobile phones verification, the compatibility is above 95% of mobile phones in the market. APP is small and convenient, it consumes less system resources, so the requirements of the mobile configuration are low. Control delay is small, the operation feel good, light control is smooth with people's visual sense.

2. Operating Environment

This APP program requires phones of system above Android 4.3 and iOS 8.0. Mobile phone configuration is not limited.

3. Instructions

Note: Android version and iOS version download and use the same method, here in the Android version as an example.

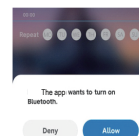
3.2 App Operation

(1) Click on the APP icon, enter the APP page:

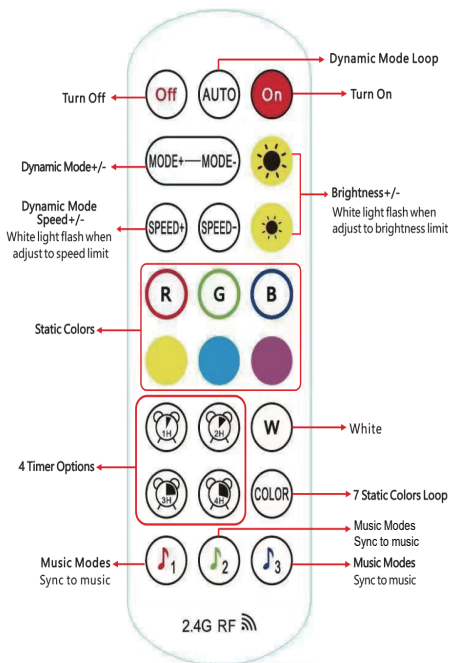


(2) After entering the APP interface, if Bluetooth is not enabled, "The app wants to turn on Bluetooth."

Click [Allow]



(3) Switch to color and brightness interface:



Notices

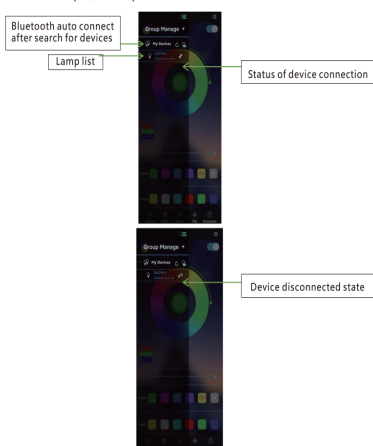
- Please pull out the battery insulated plastic chip before using remote.
- Press the lock key, the remote keys will be locked, press the lock key again, all the remote keys will be unlocked.

1

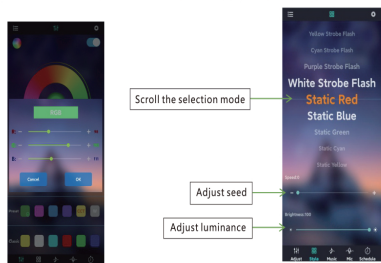
2

3

(4) Click to show the lamp list, view lamp list:

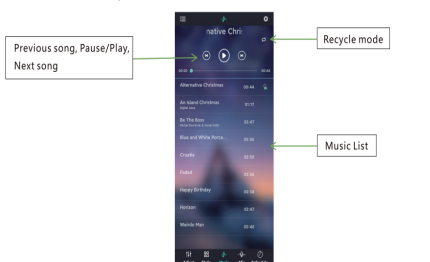


(5) Click to RGB manual adjustment view. (6) switch to the mode interface:

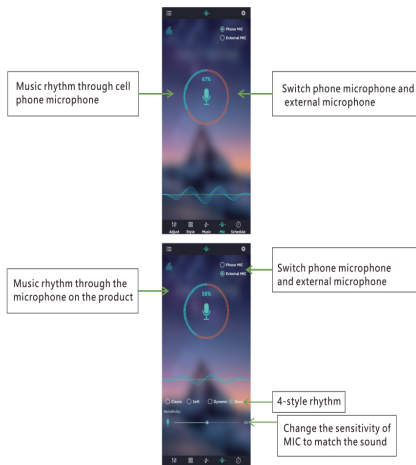


4

(7) switch to the music rhythm interface:

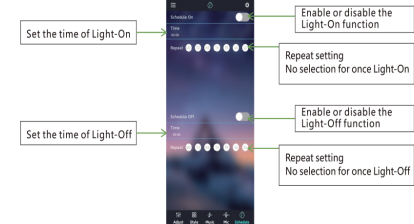


(8) Switch to the microphone rhythm interface:



5

(9) Switch to the schedule interface:



(10) Switch to the modify pin sequence interface:



6