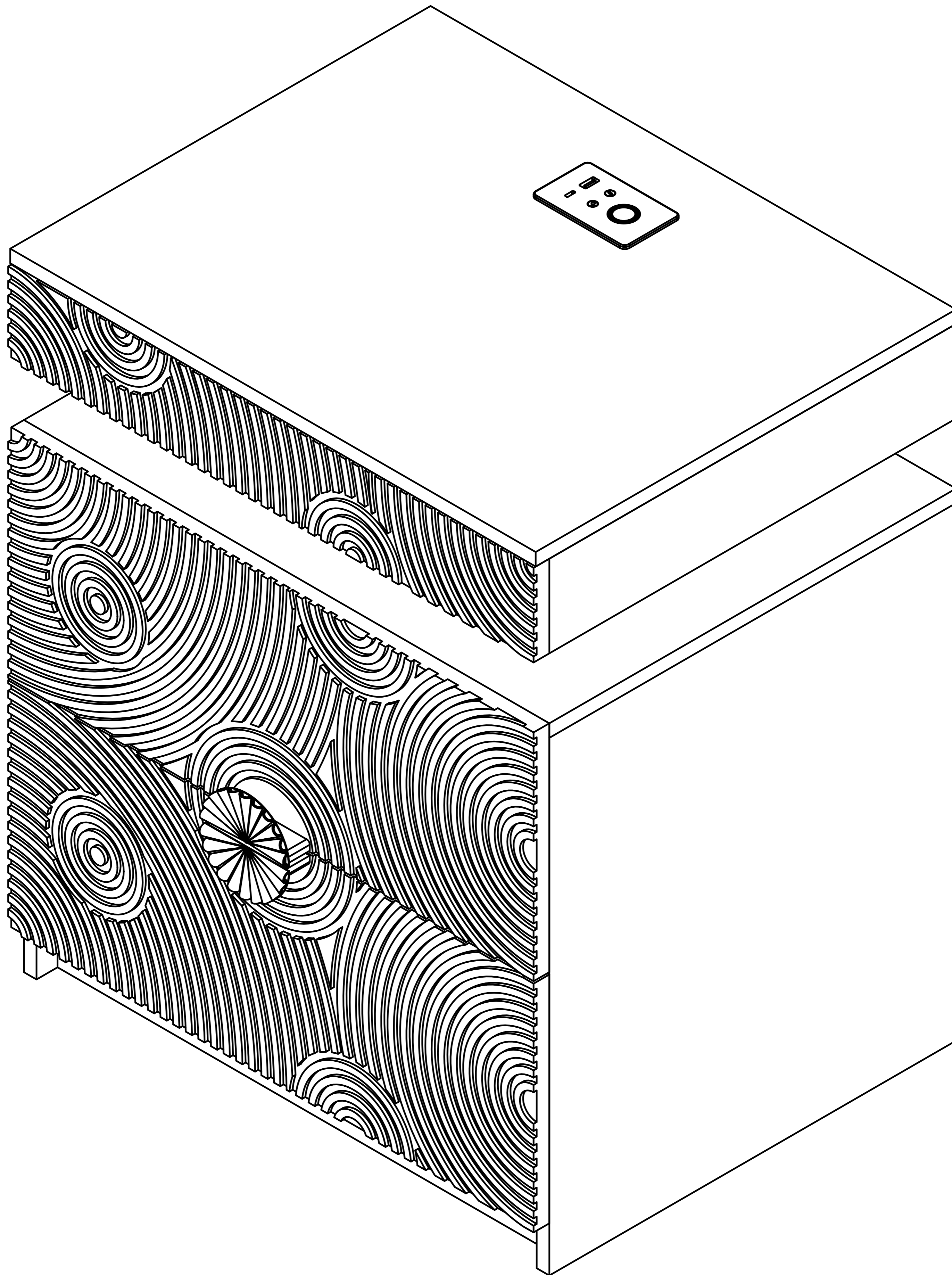
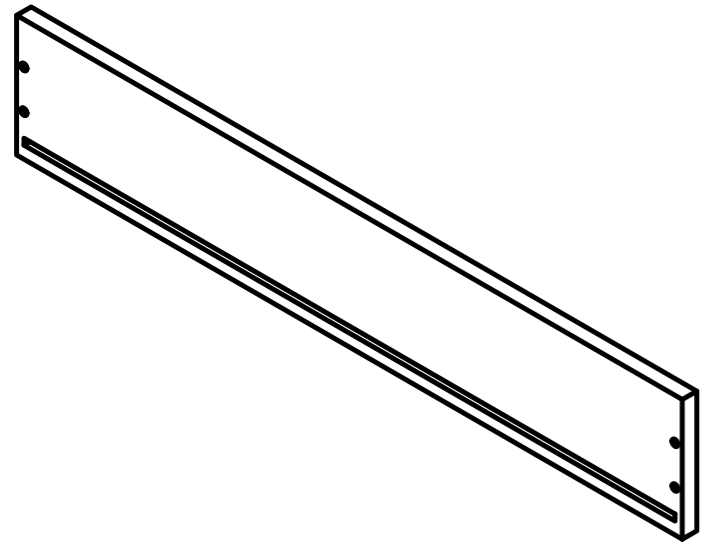
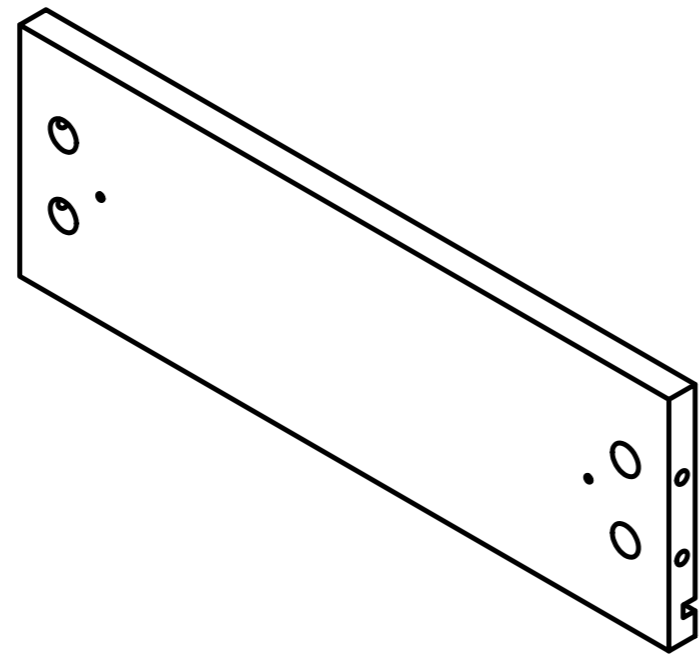


Product Installation Instructions

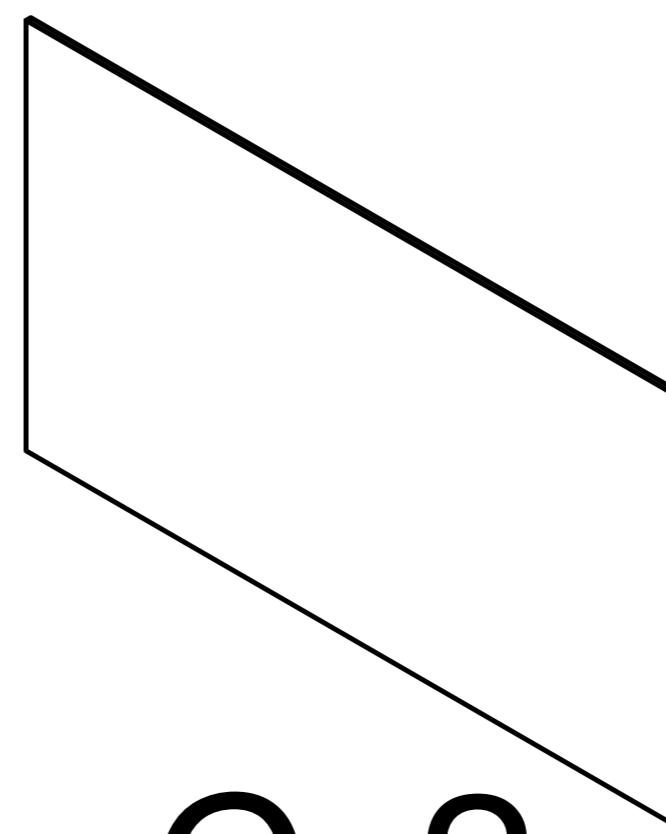




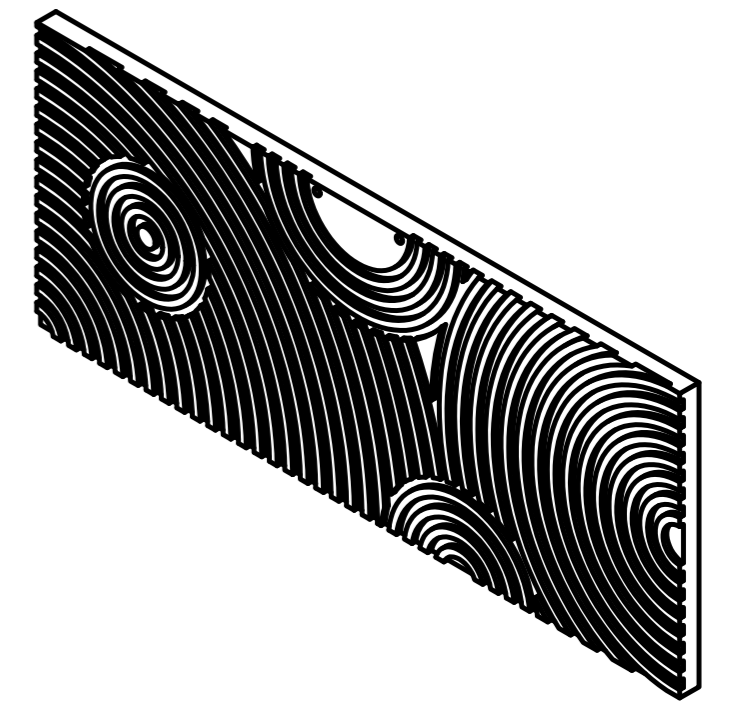
Ax2



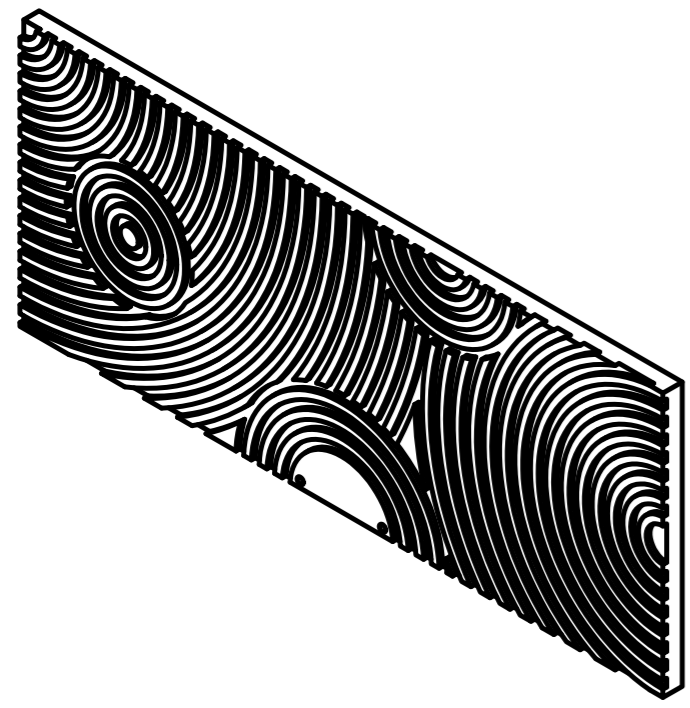
Bx4



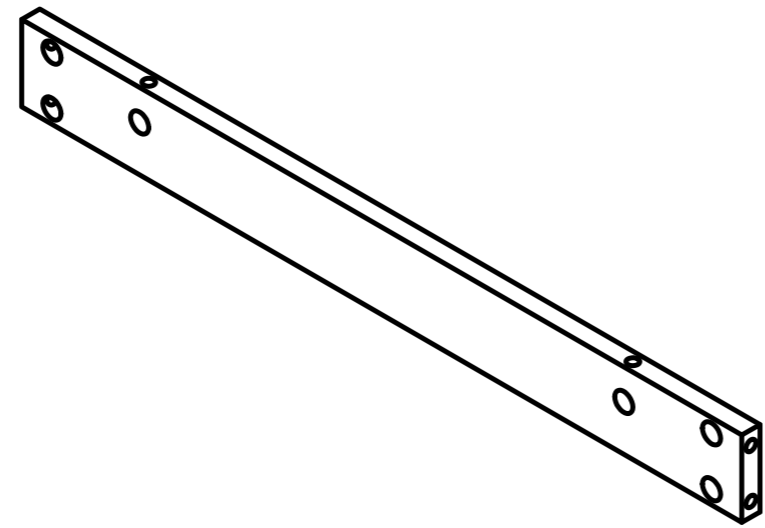
Cx2



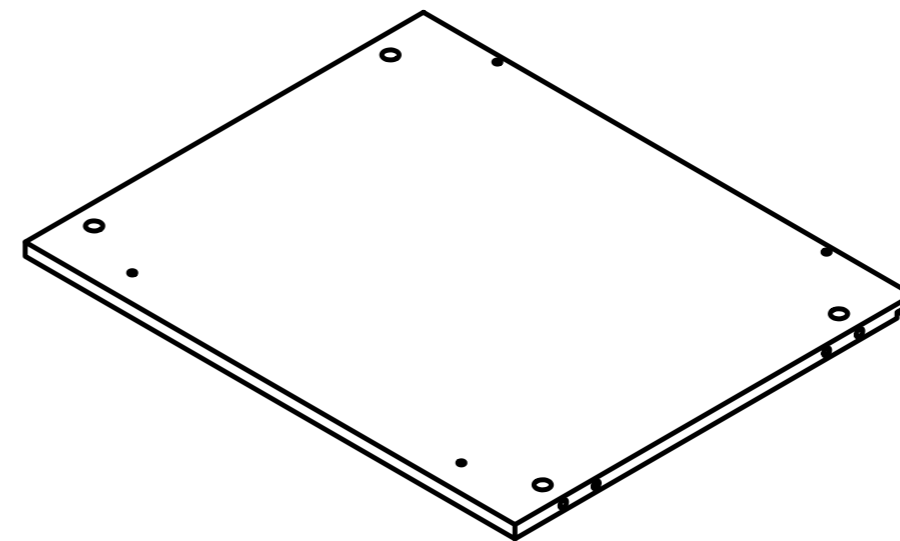
Dx1



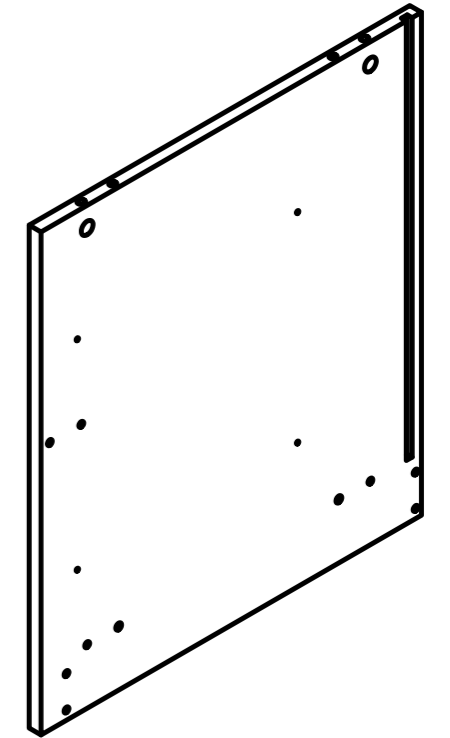
Ex1



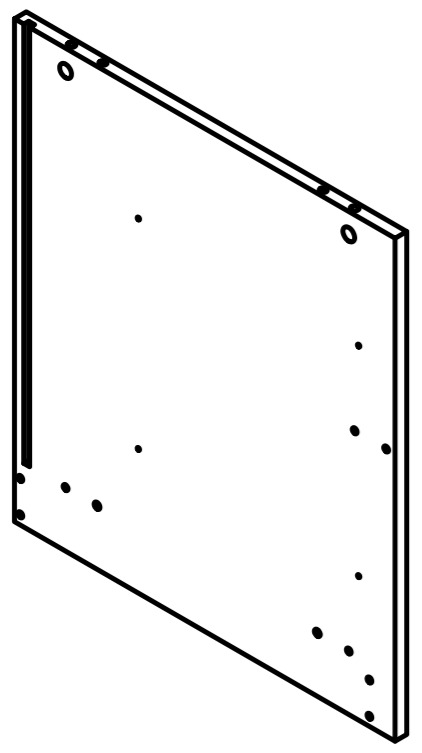
Fx2



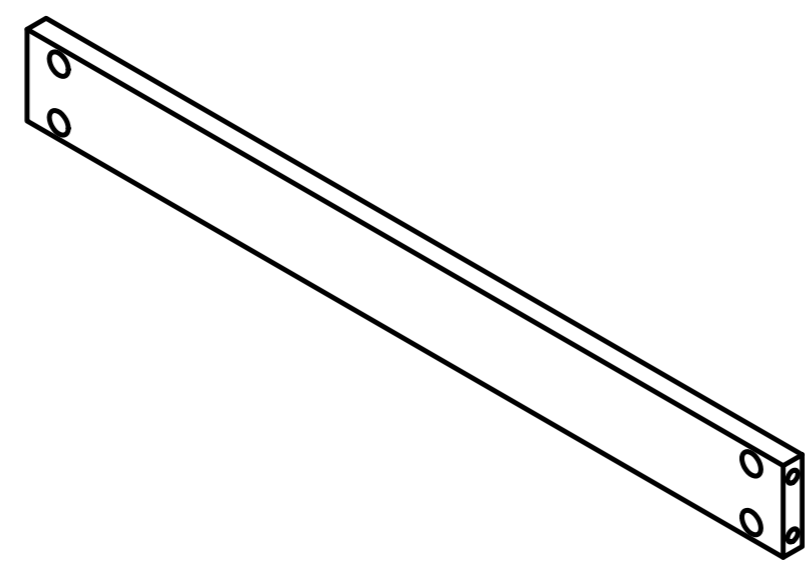
Gx1



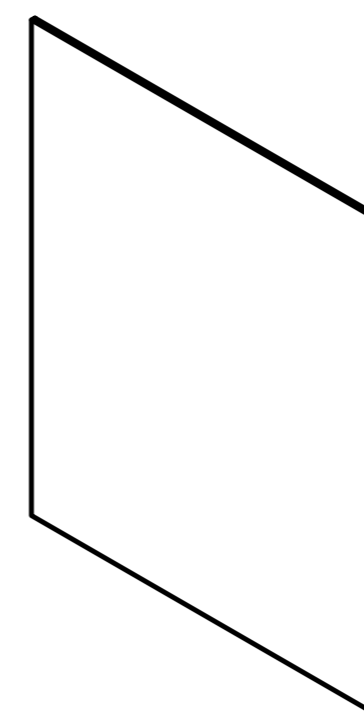
Hx1



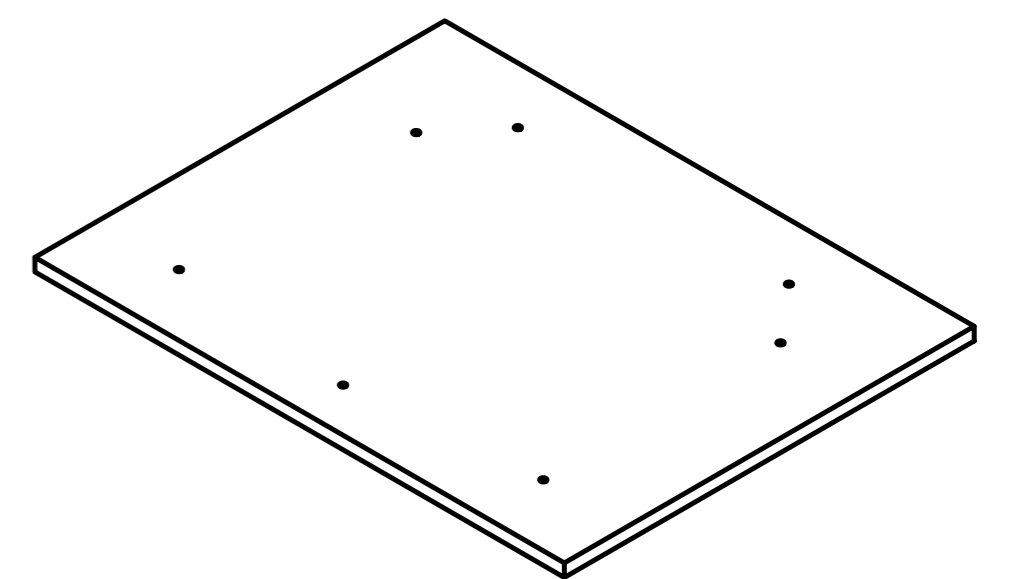
Ix1



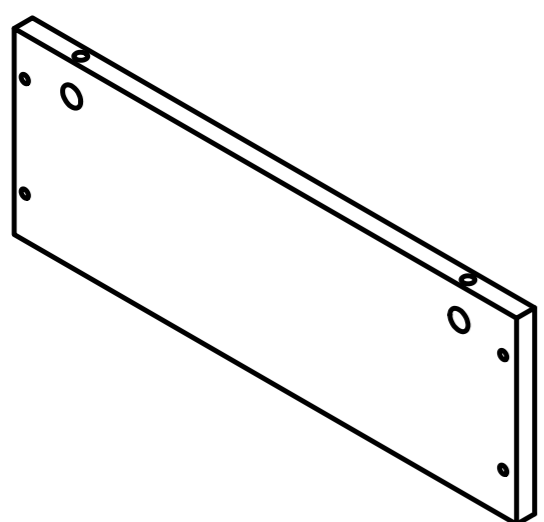
Jx1



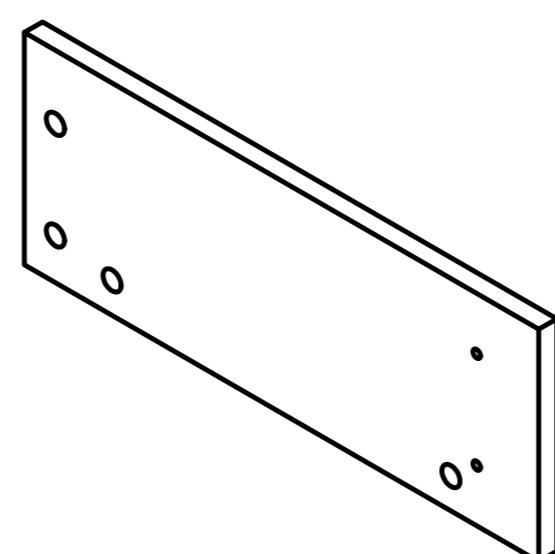
Kx1



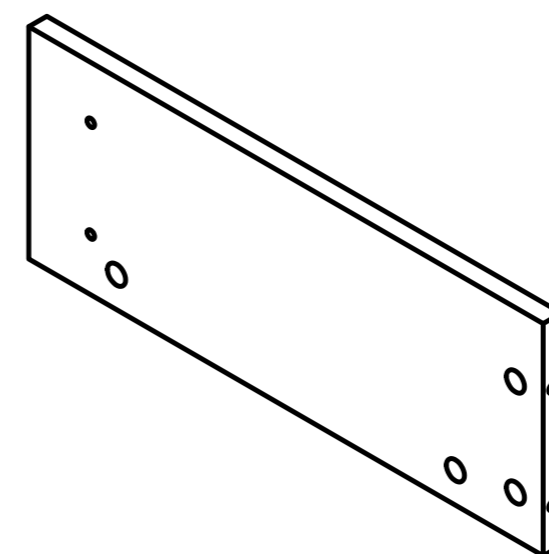
Lx1



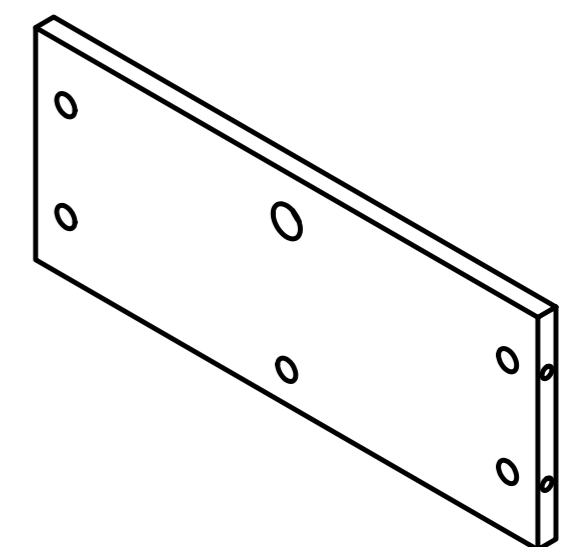
Mx1



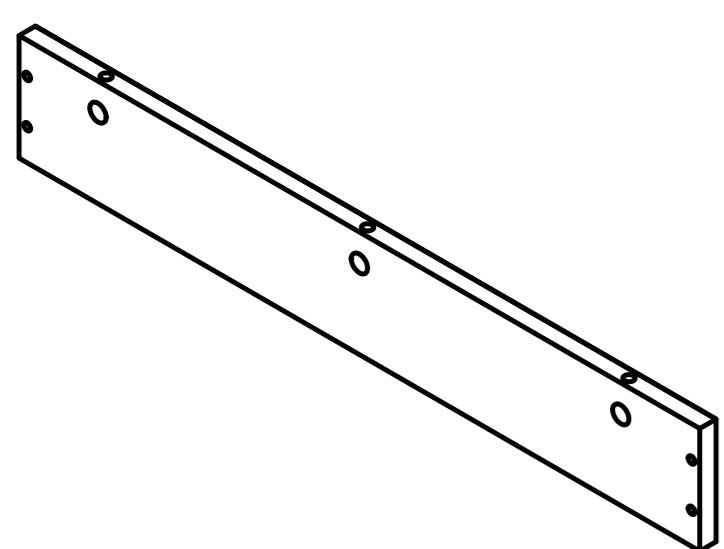
Nx1



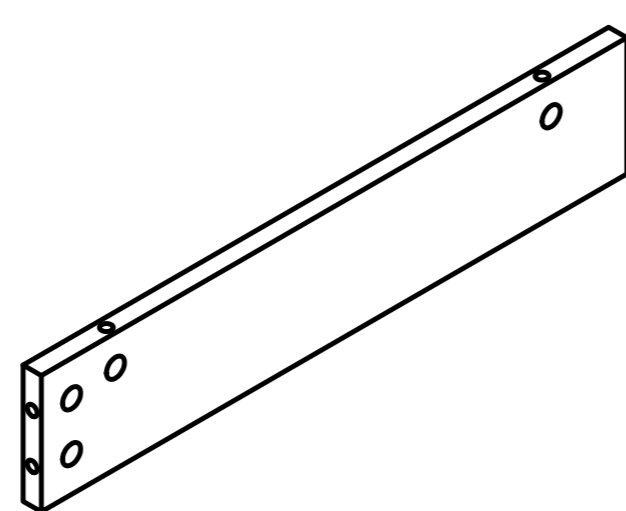
Ox1



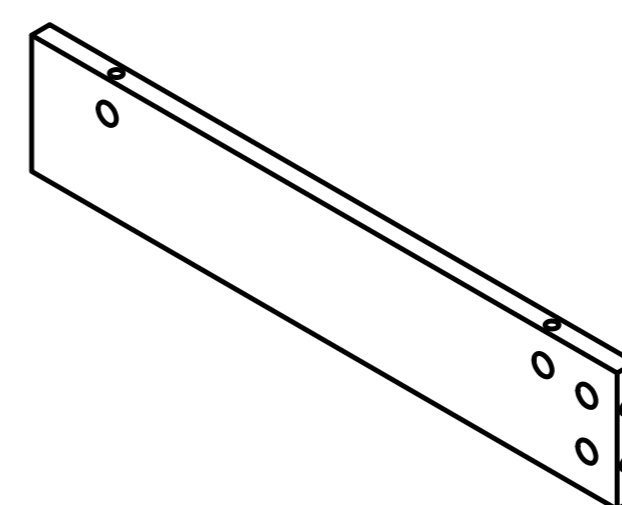
Px1



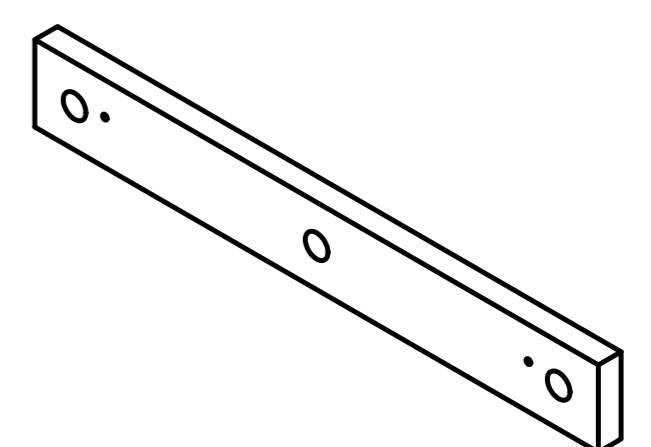
Qx1



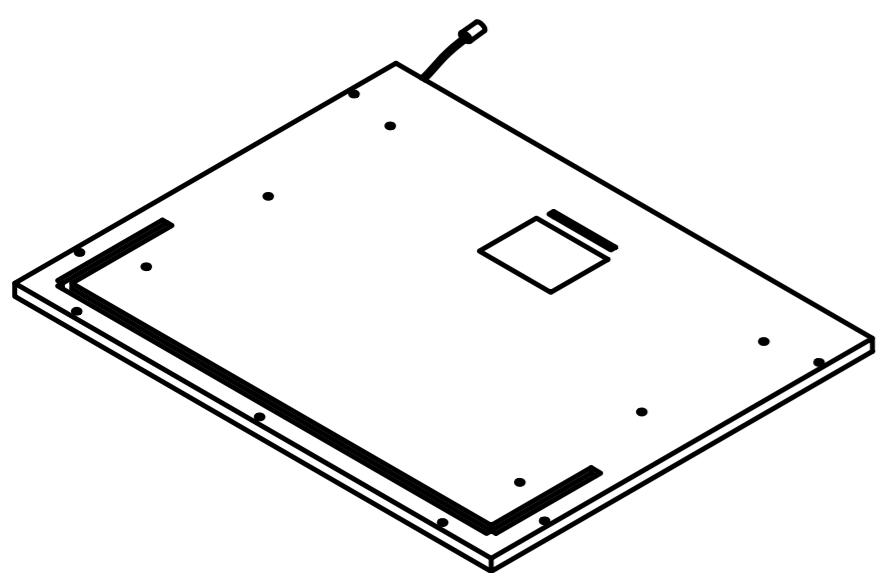
Rx1



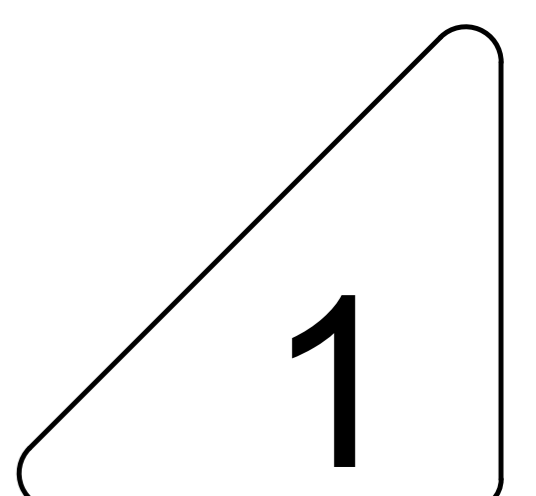
Sx1



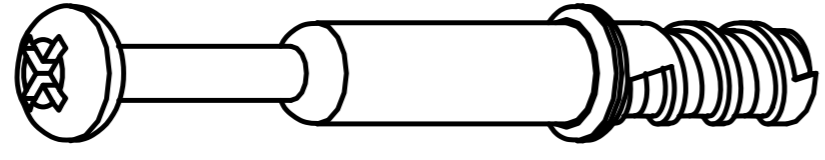
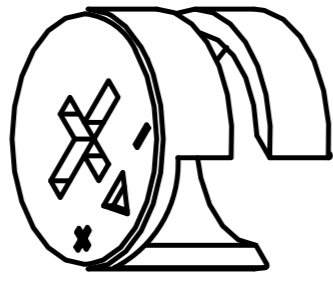
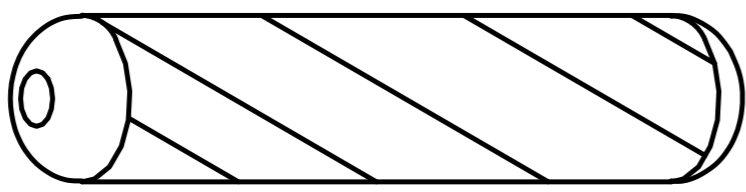
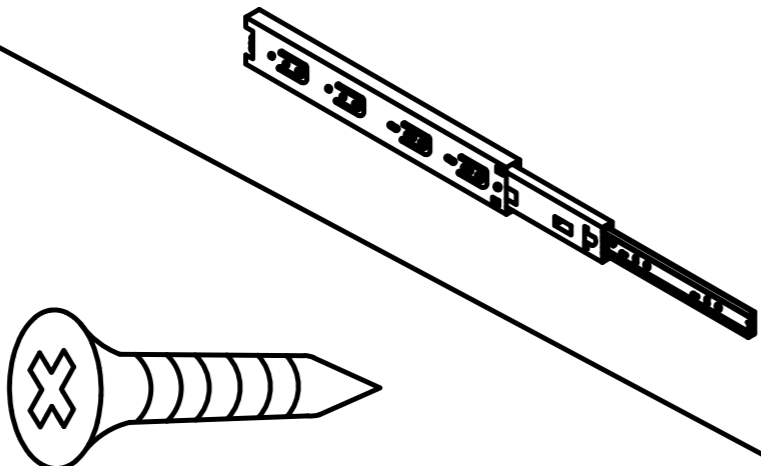
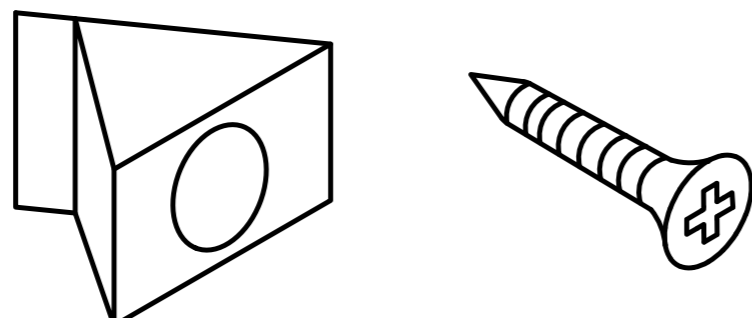
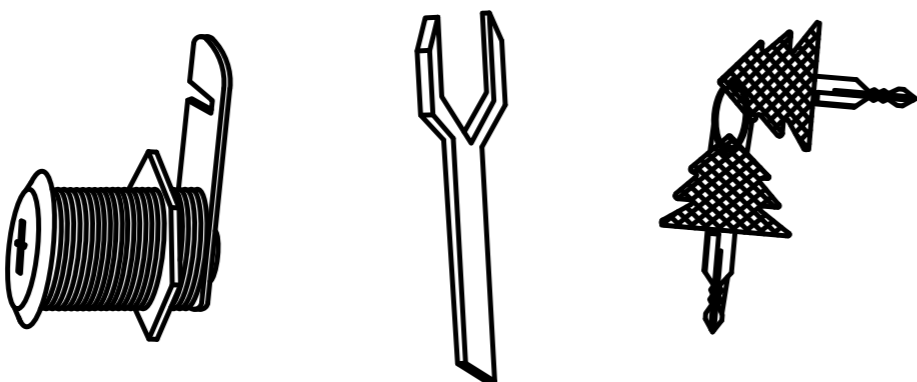

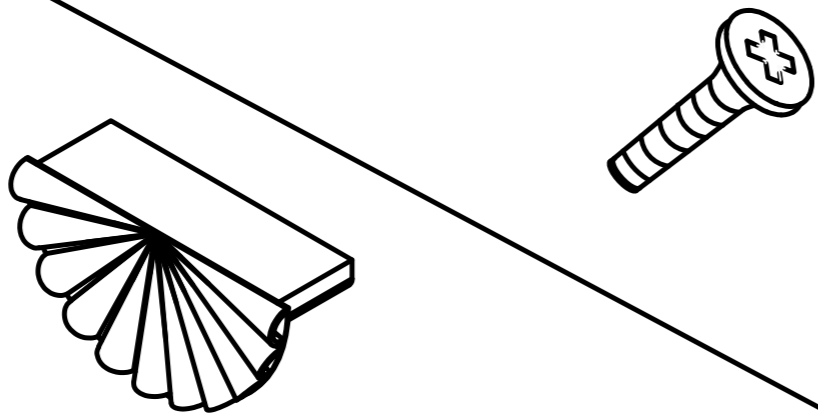
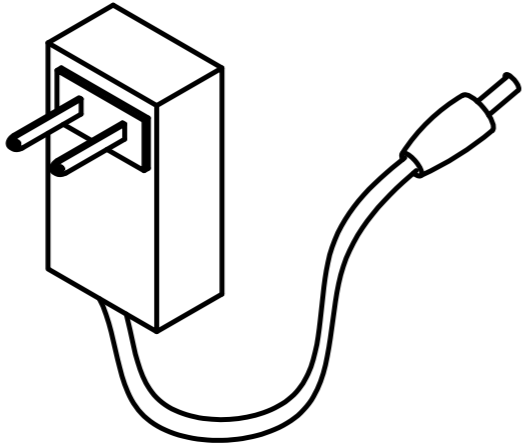
Tx2

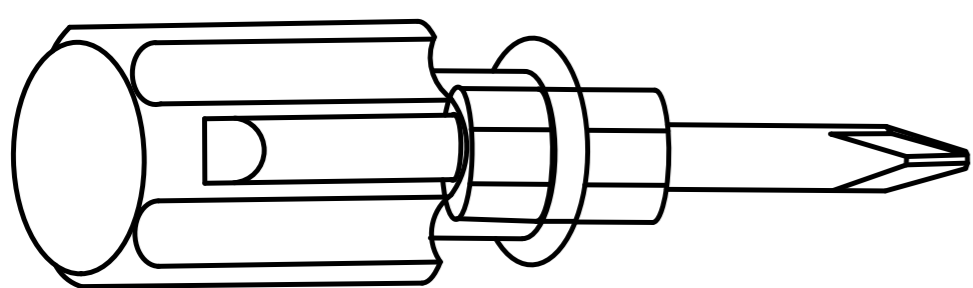


Ux1

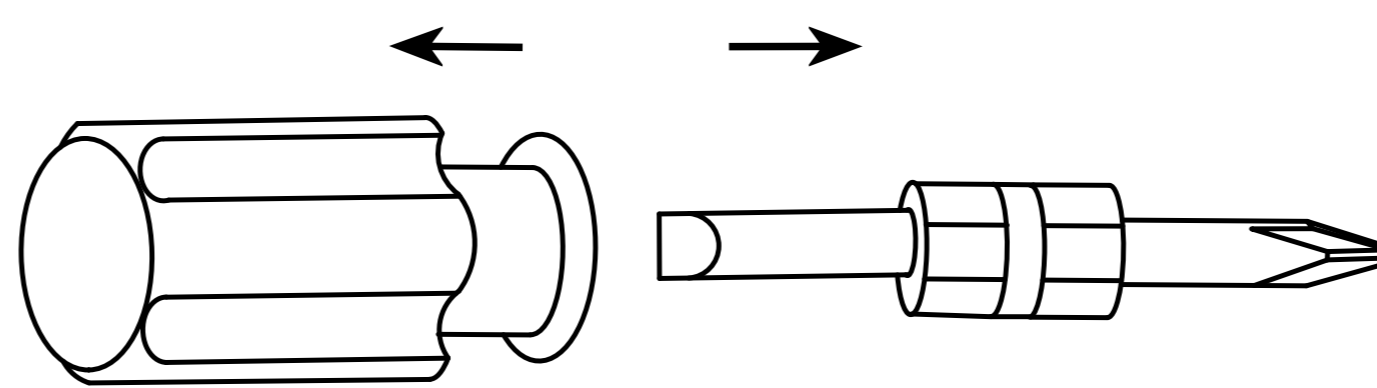


Accessories list

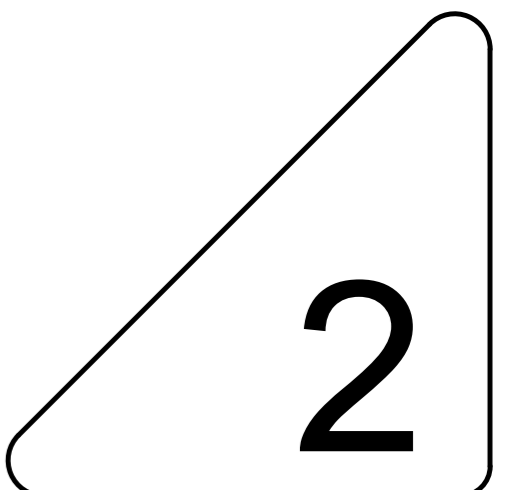
<p>1</p>		<p>Two In One Screw (6x28mm)</p>	<p>72pcs +6pcs</p>
<p>2</p>		<p>Two In One Nut (10x12mm)</p>	<p>72pcs +6pcs</p>
<p>3</p>		<p>Wood Chipping (6x30mm)</p>	<p>8pcs +2pcs</p>
<p>4</p>		<p>Screw & Guide (12 inch) (3x12mm)</p>	<p>6pcs 30pcs +6pcs</p>
<p>5</p>		<p>Back plate buckle & Screw (3x16mm)</p>	<p>4pcs +1pcs</p>
<p>6</p>		<p>Locks & tools & key</p>	<p>1pcs</p>
<p>7</p>		<p>Non-slip pads</p>	<p>8pcs +1pcs</p>
<p>8</p>		<p>Handle & Screw (4x20mm)</p>	<p>6pcs 30pcs +6pcs</p>
	<p>AC/DC Adapter(12V 3.0A)</p>	<p>1pcs</p>	



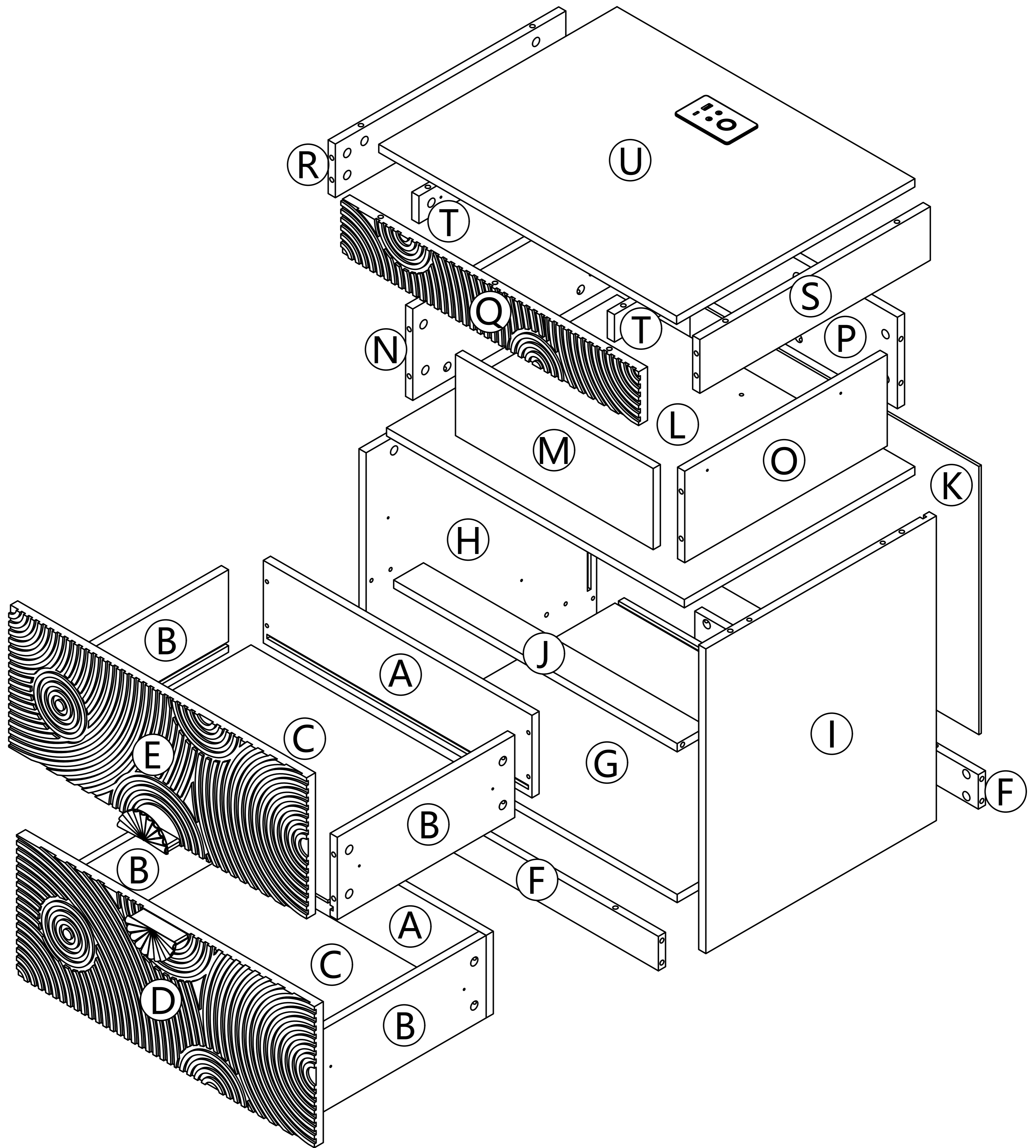
1pcs



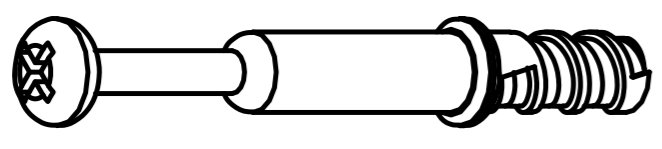
Double-head screwdriver, use as required



Product structure decomposition

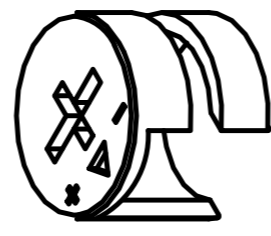


1



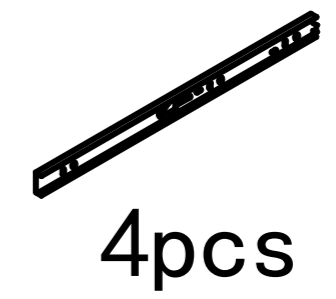
16pcs

2



16pcs

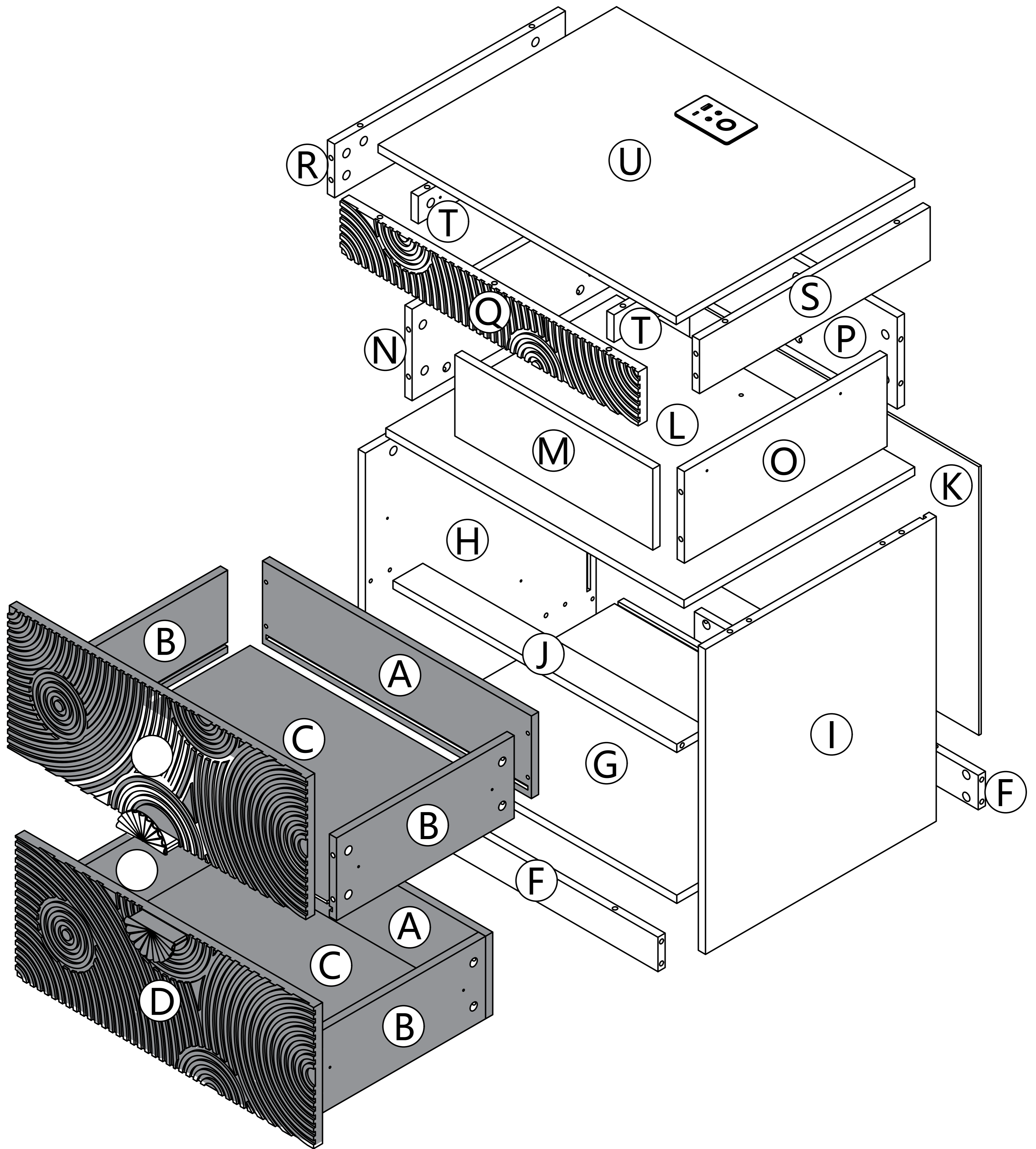
4



4pcs

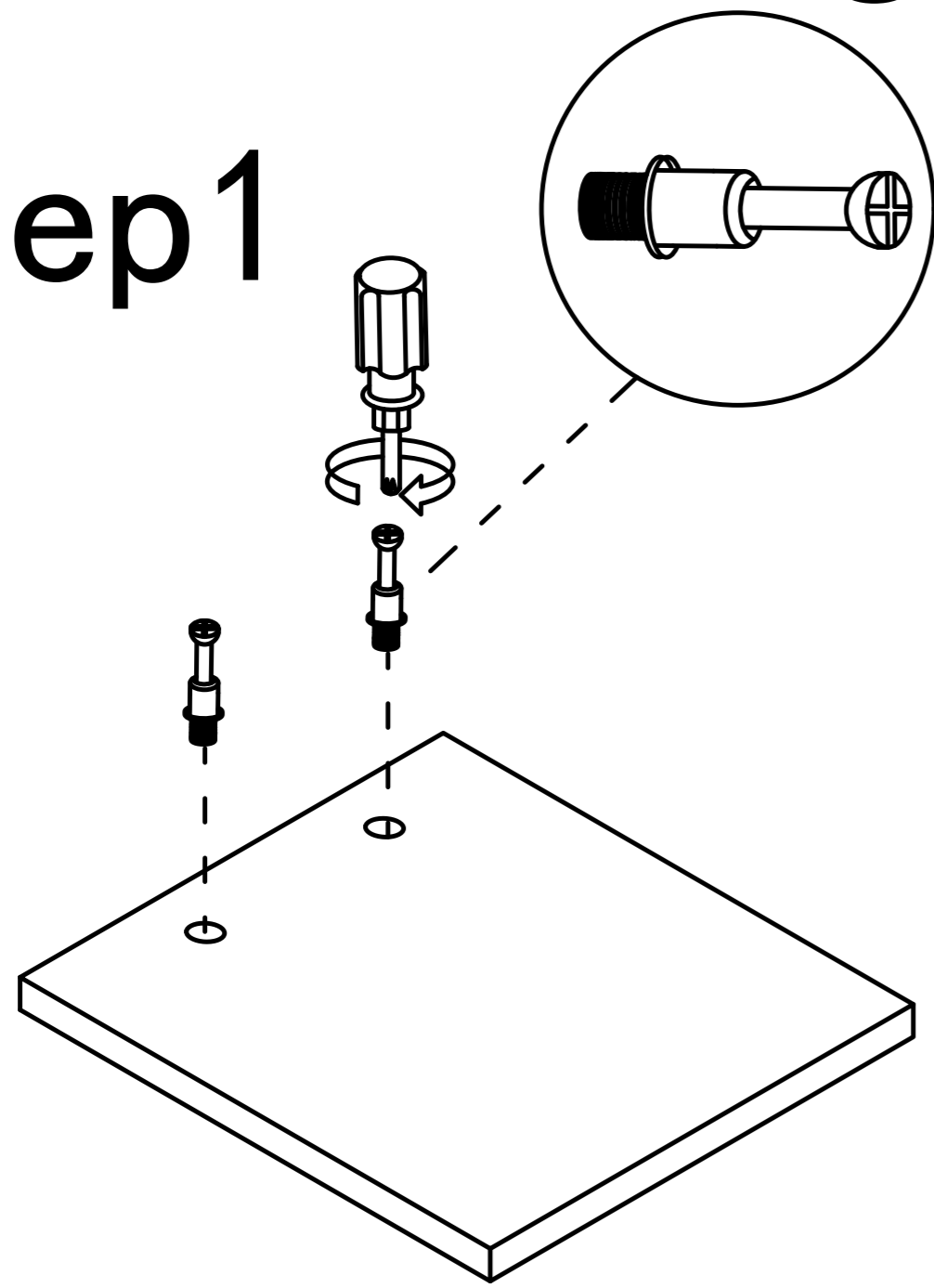


8pcs

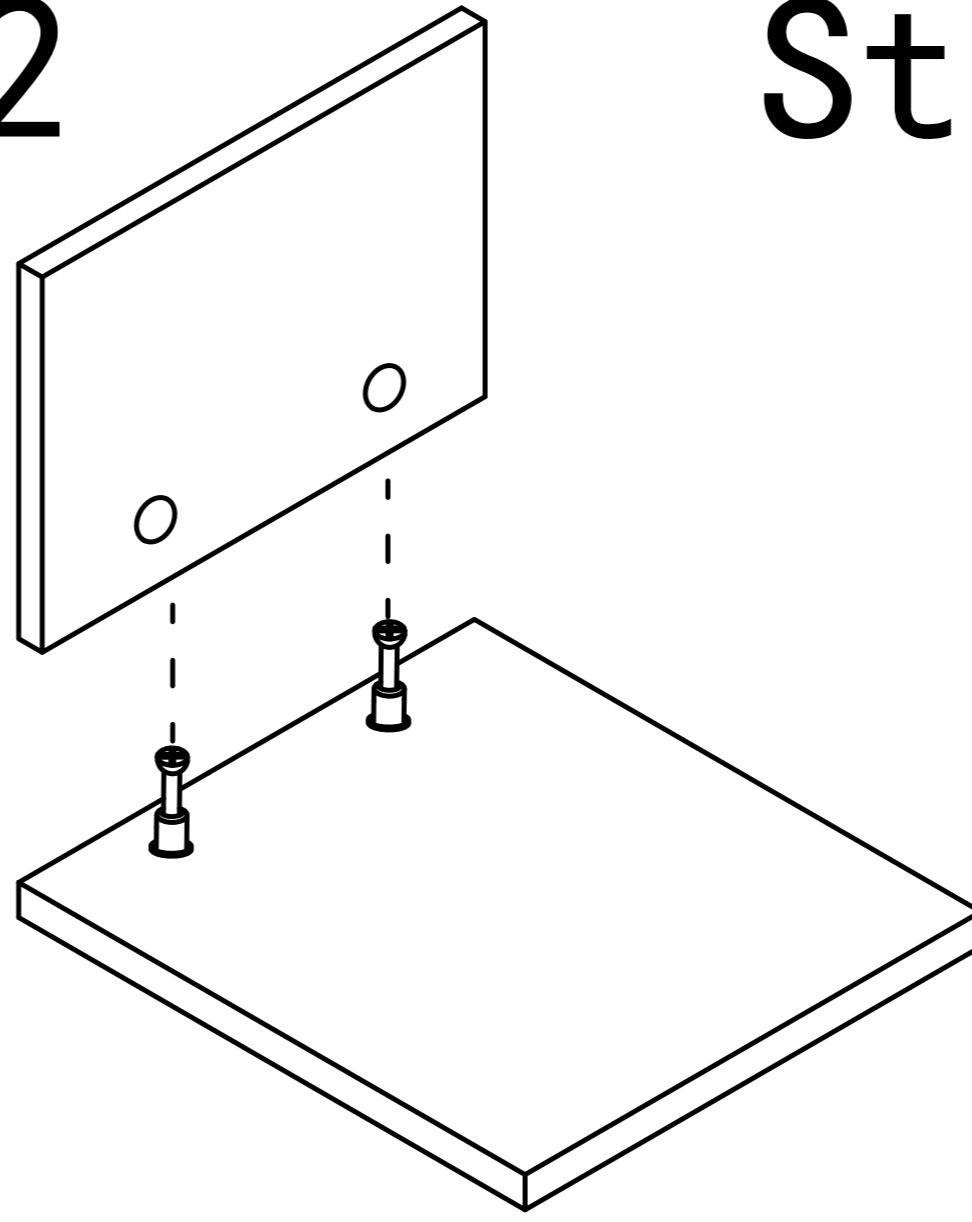


Use parts ① and ②

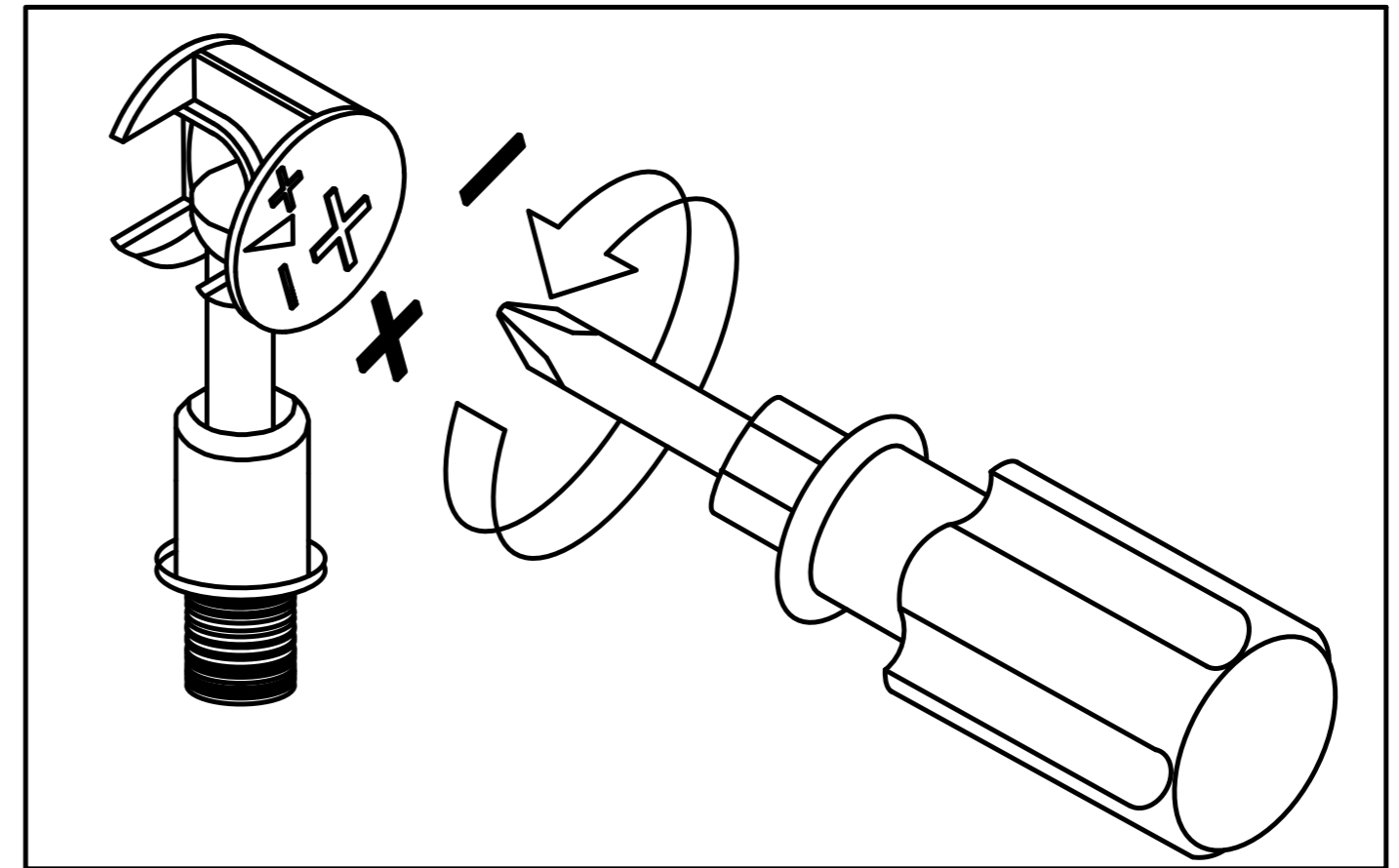
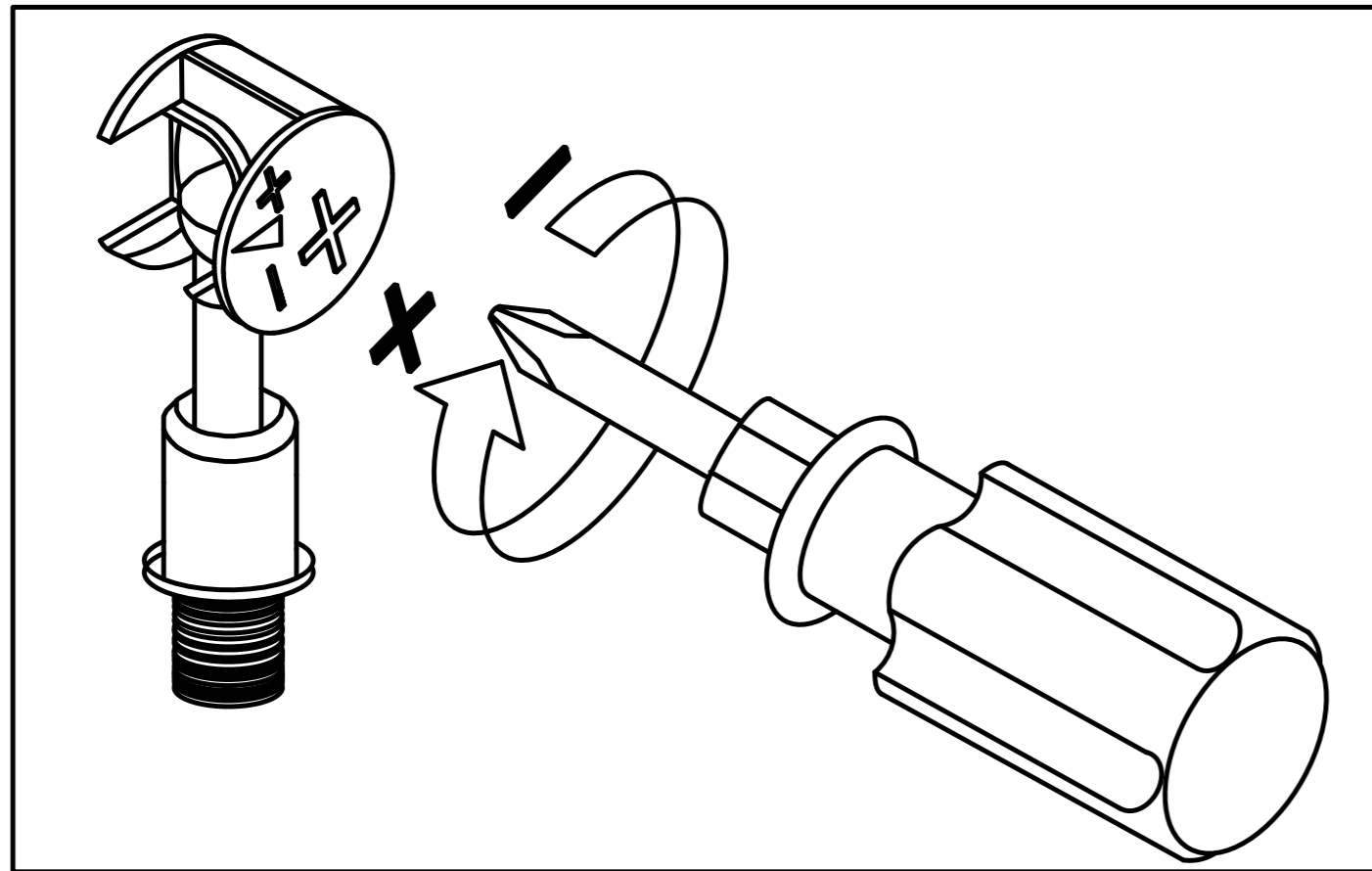
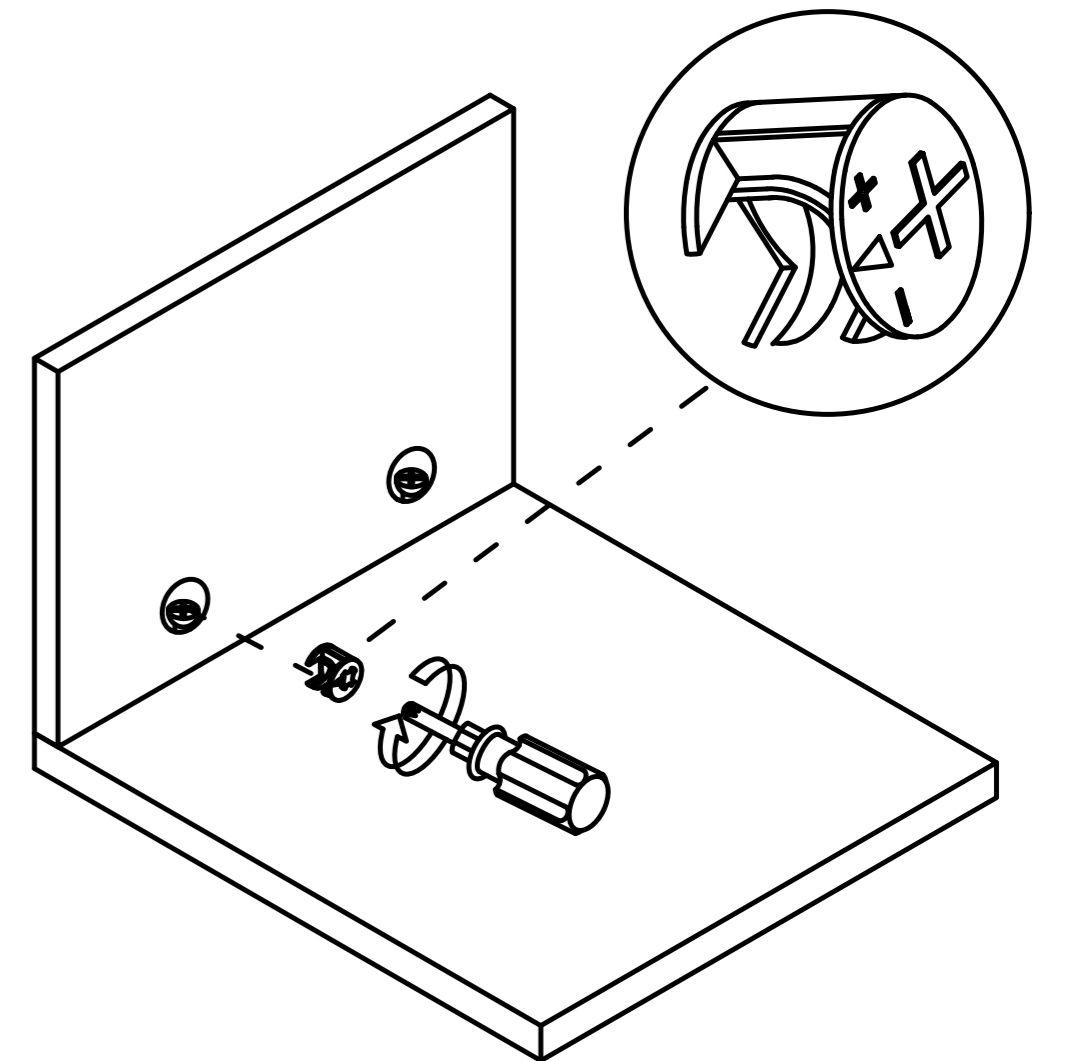
Step 1



Step 2



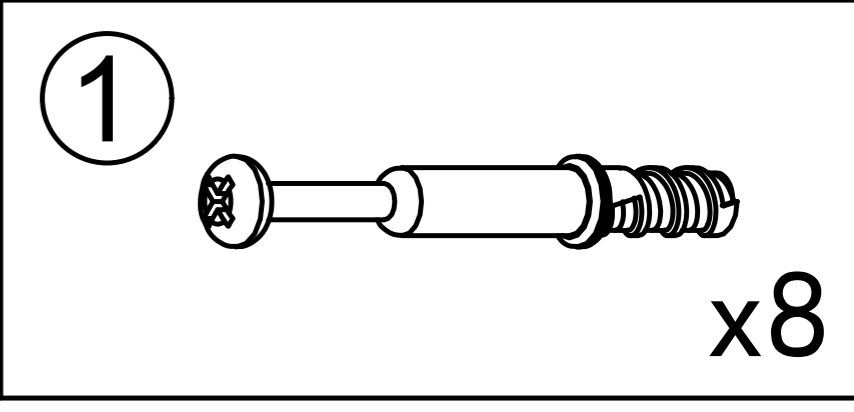
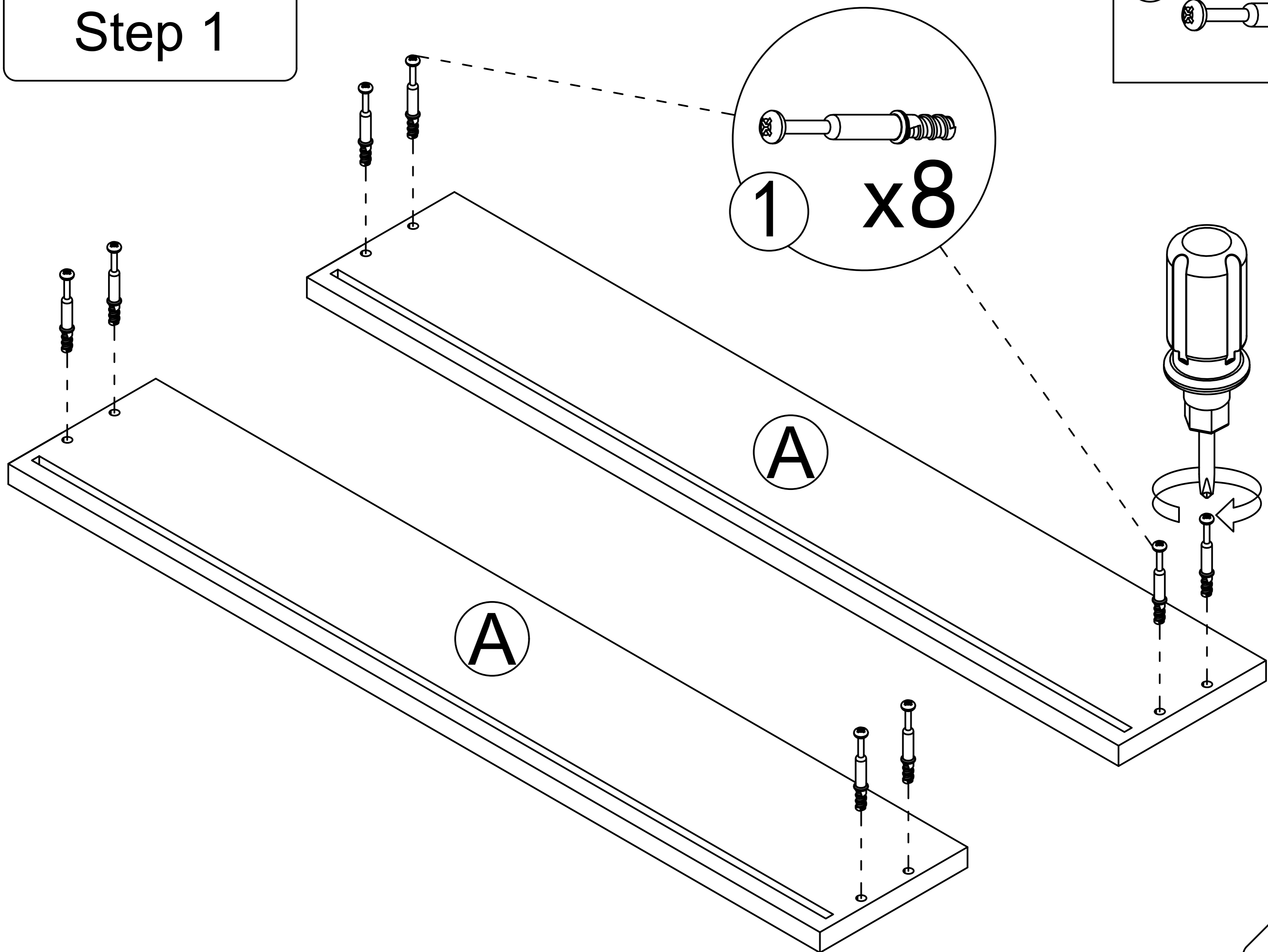
Step 3



Use a screwdriver to lock in the direction of the "+" sign

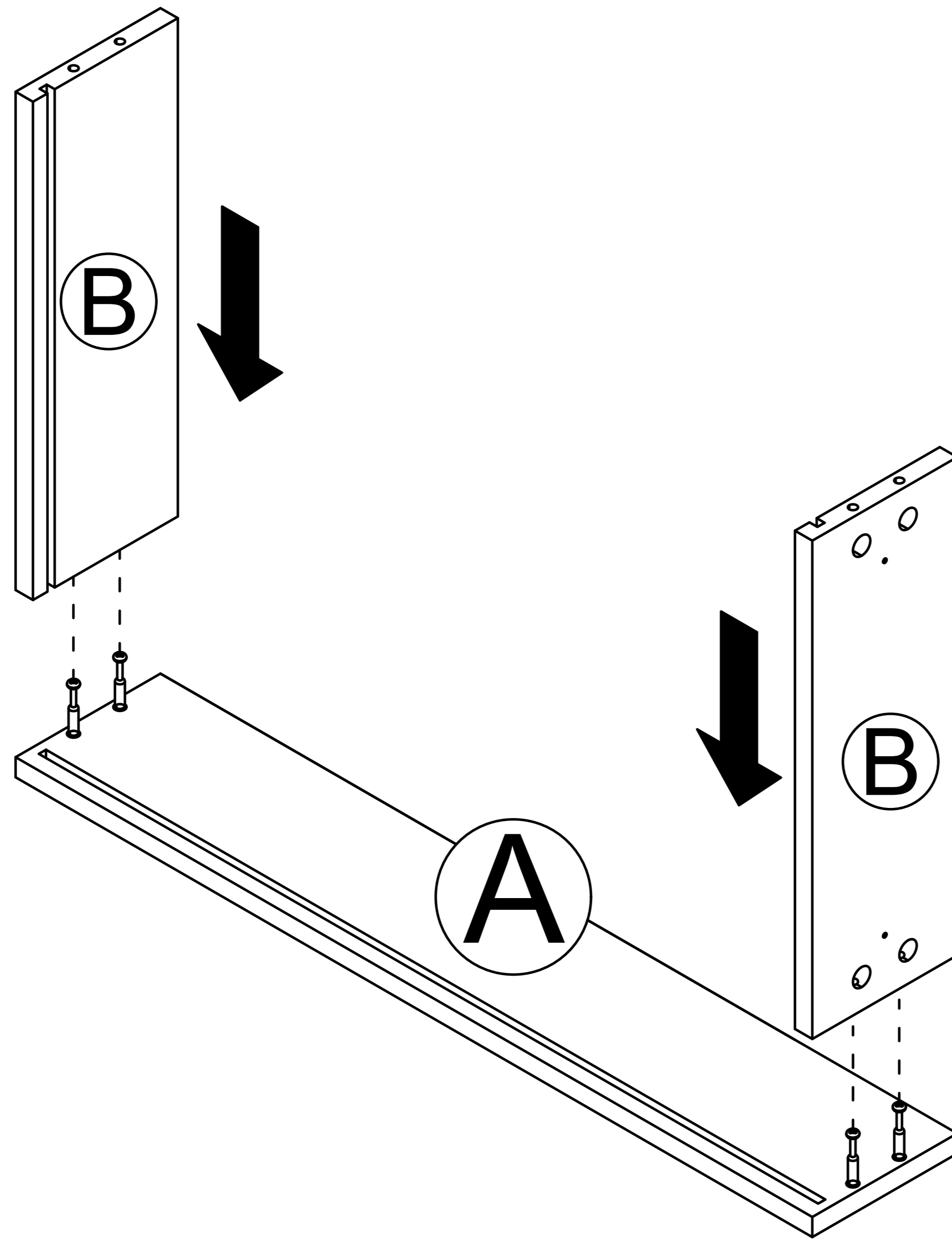
Disassemble along the direction of "-" sign

Step 1



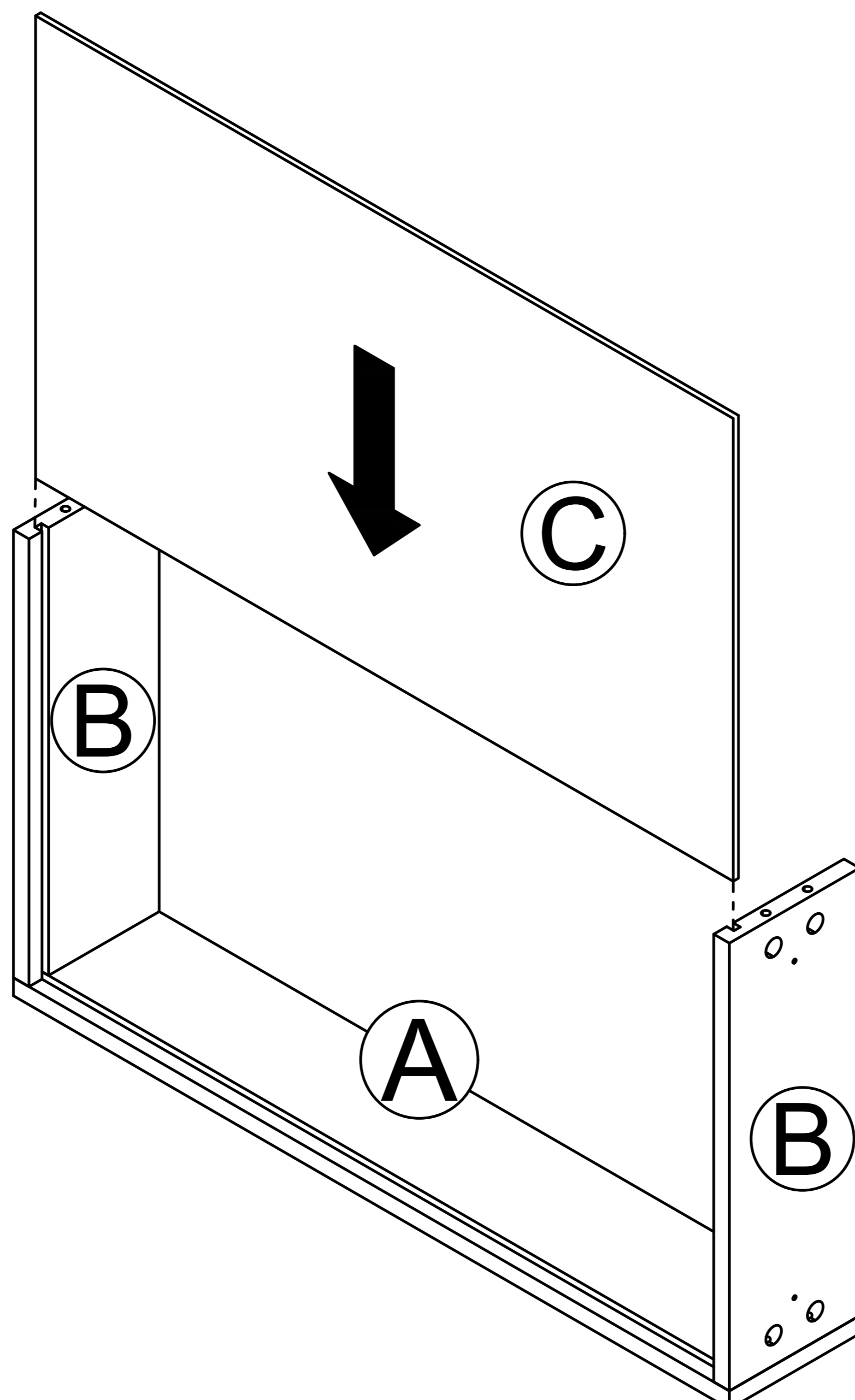
5

Step 2



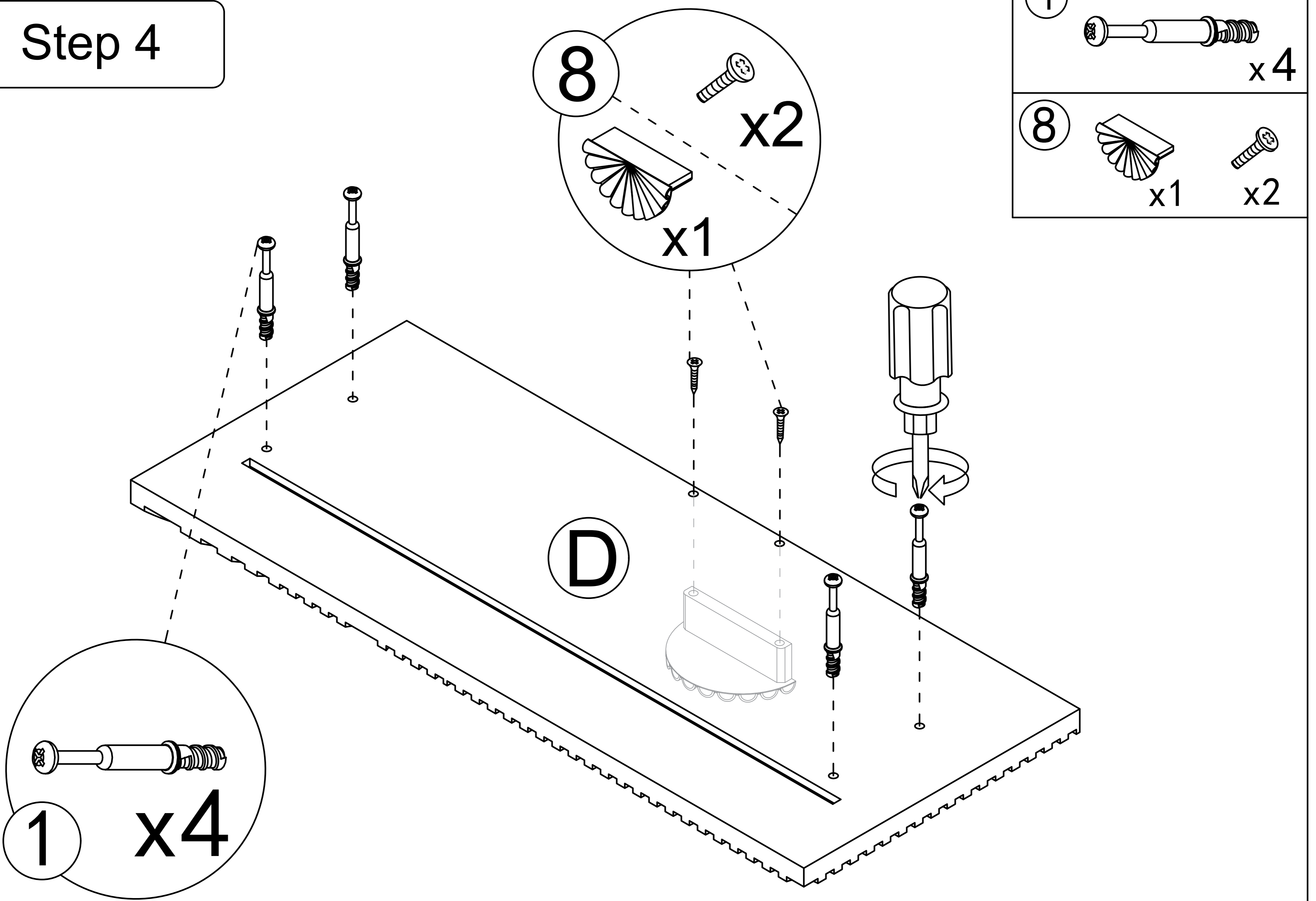
x2

Step 3

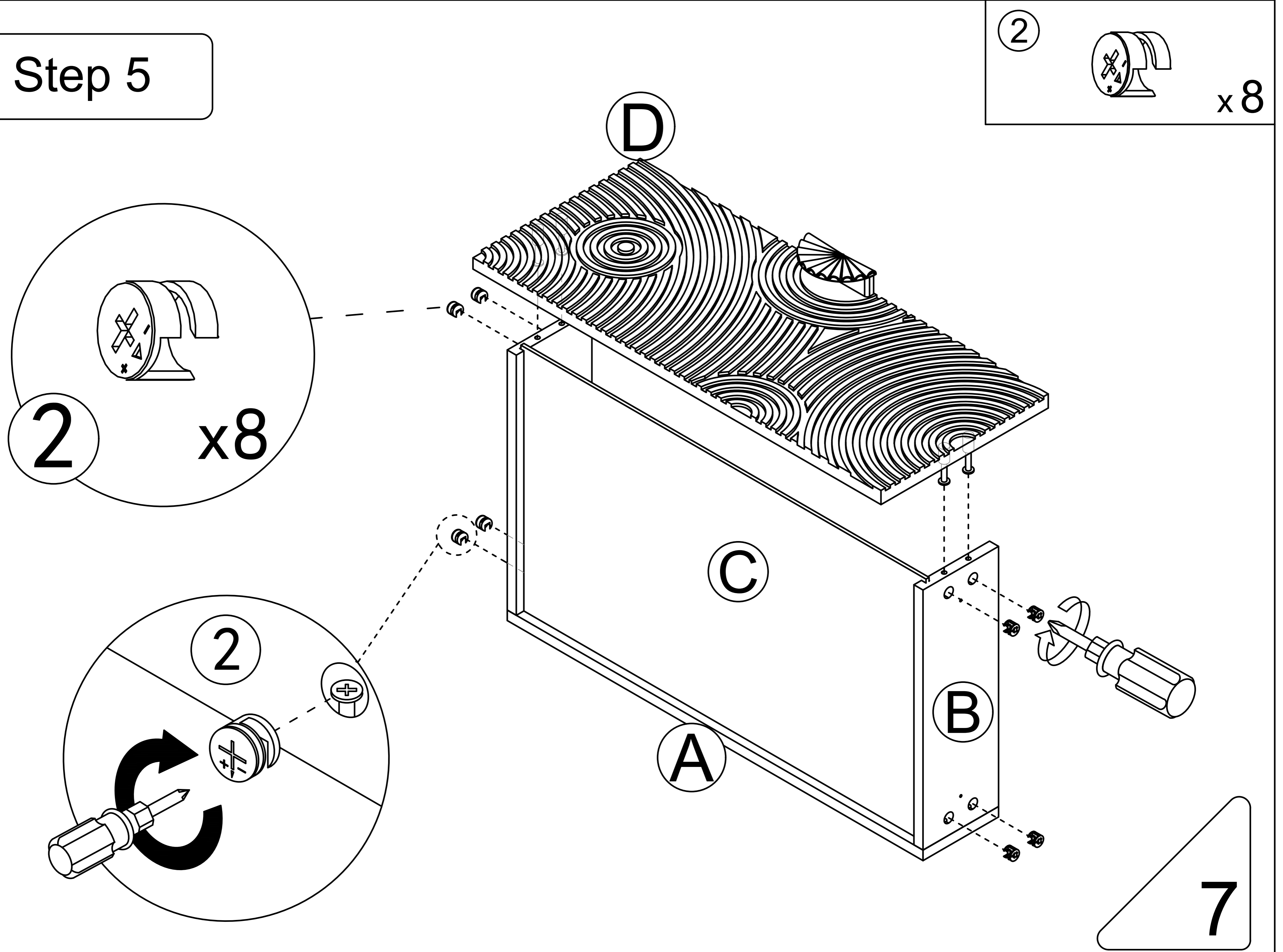


x2

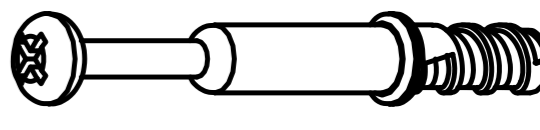
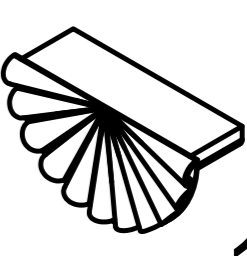

Step 4

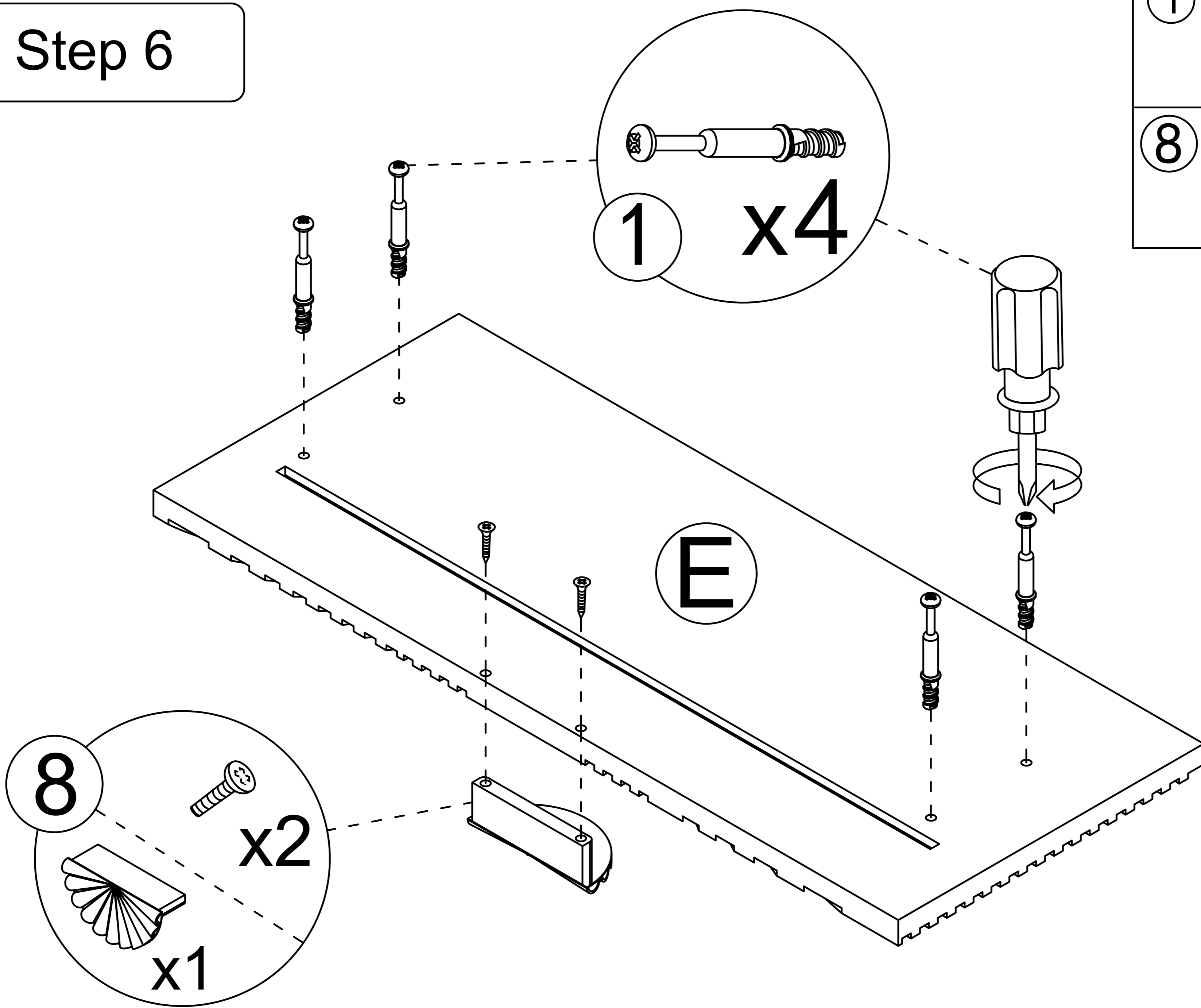


Step 5

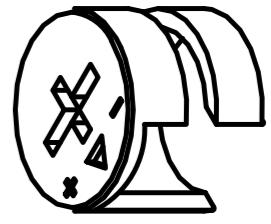


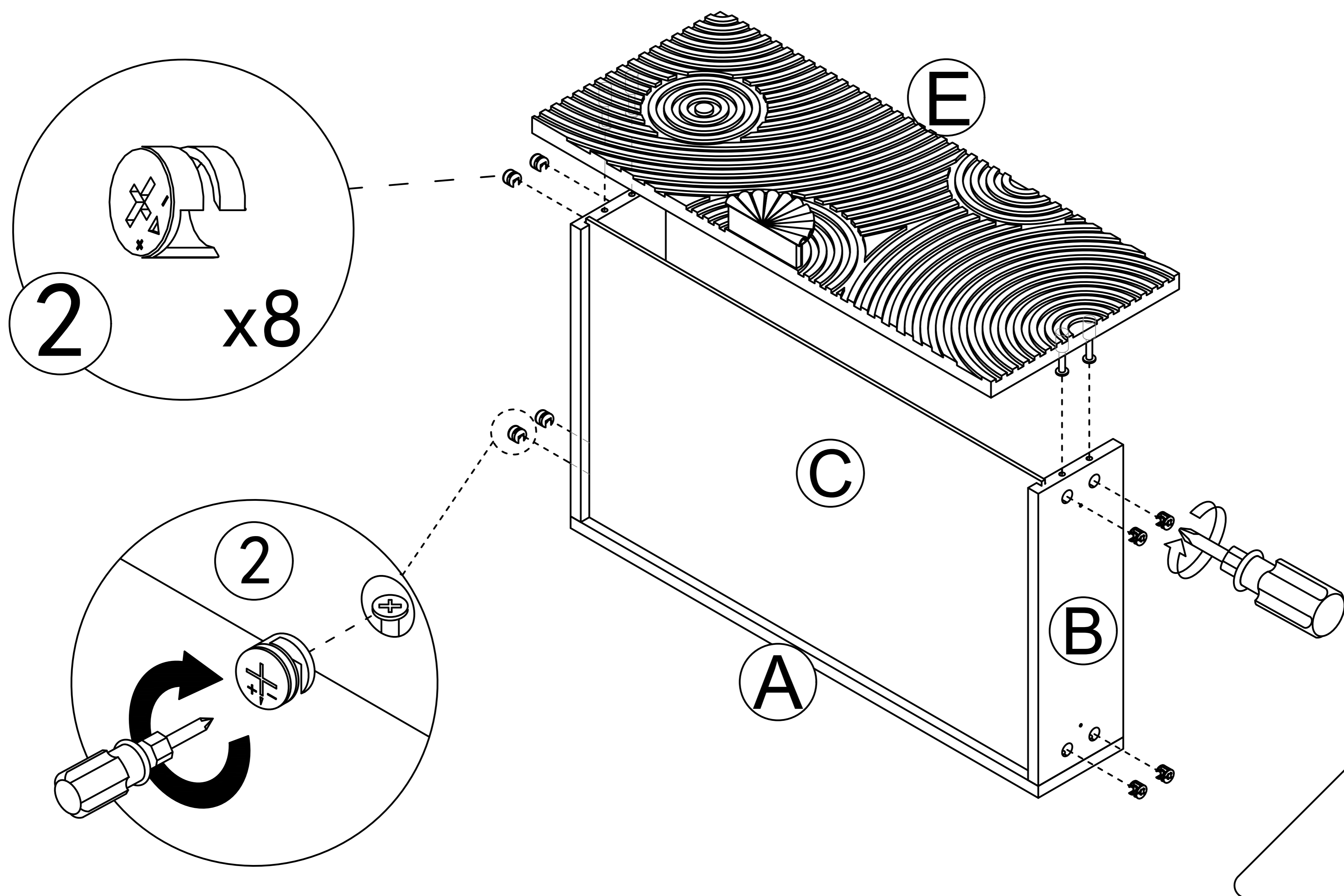
Step 6

- ①  x4
- ⑧  x1  x2

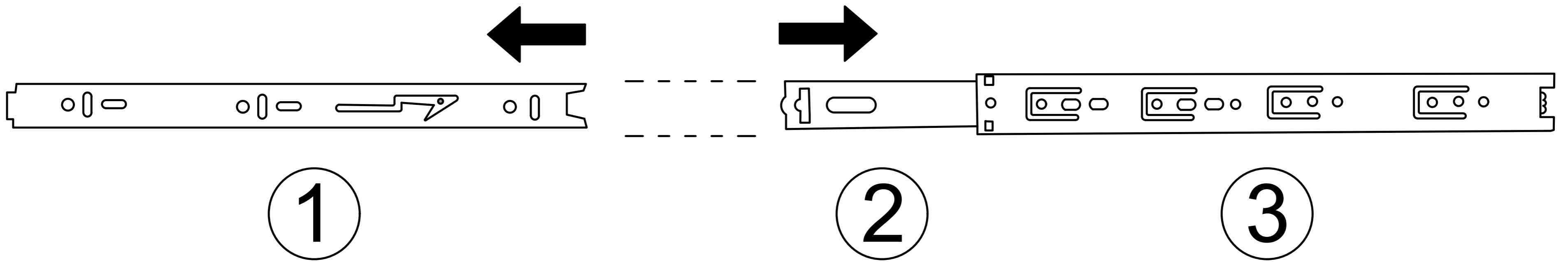


Step 7

- ②  x8

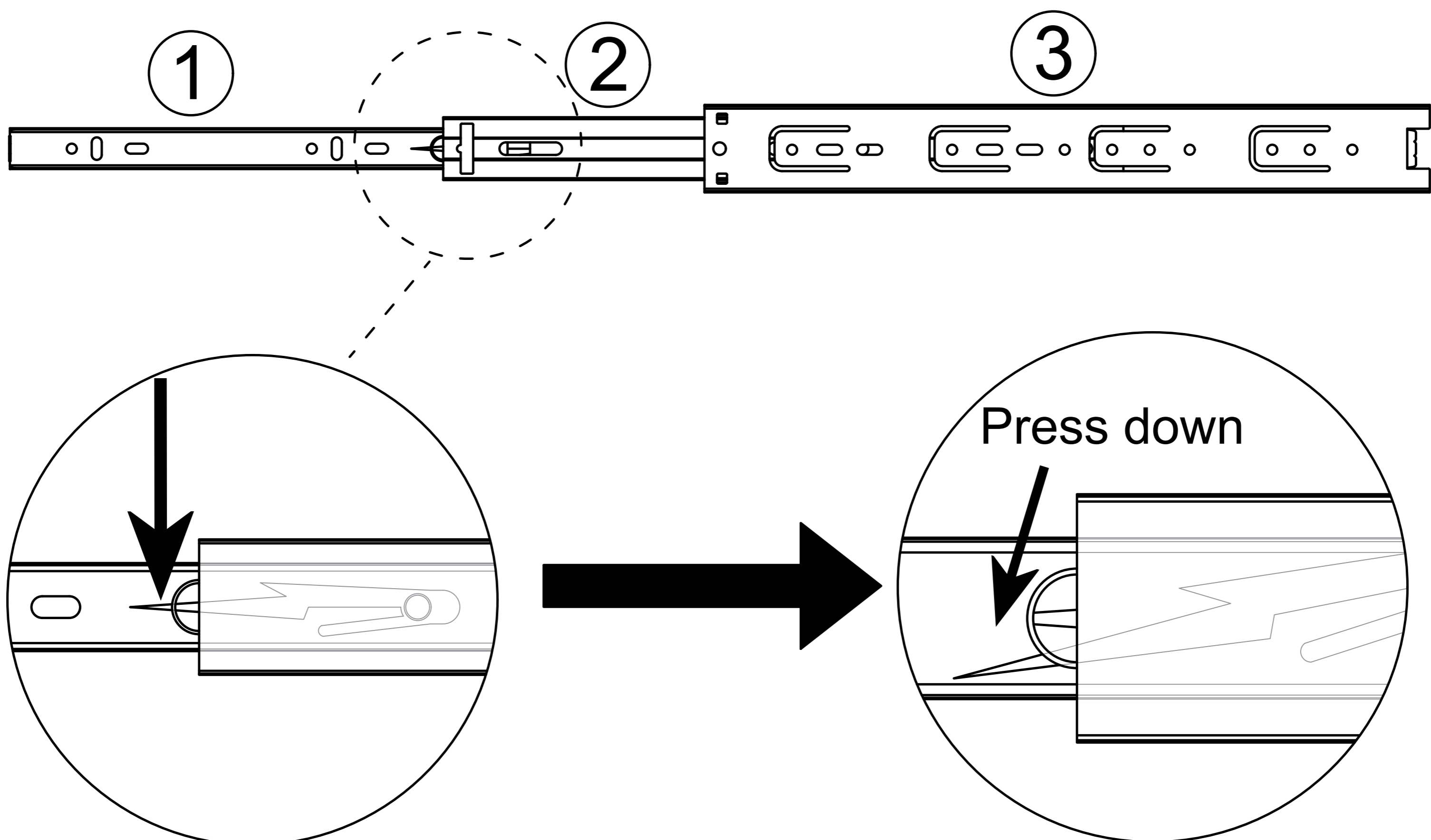


Drawer rail breakdown diagram



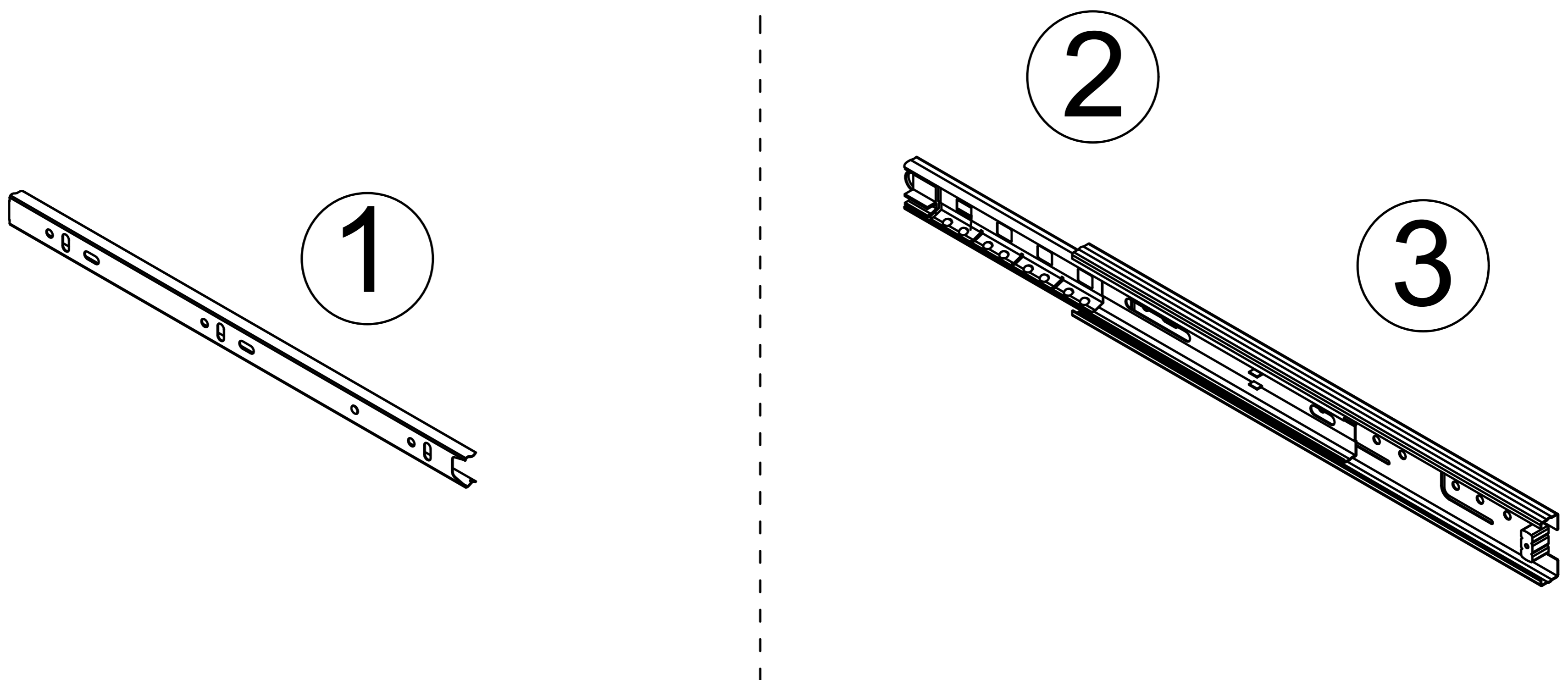
① Dismantle the schematic diagram

Step 1 : Pull the rails apart

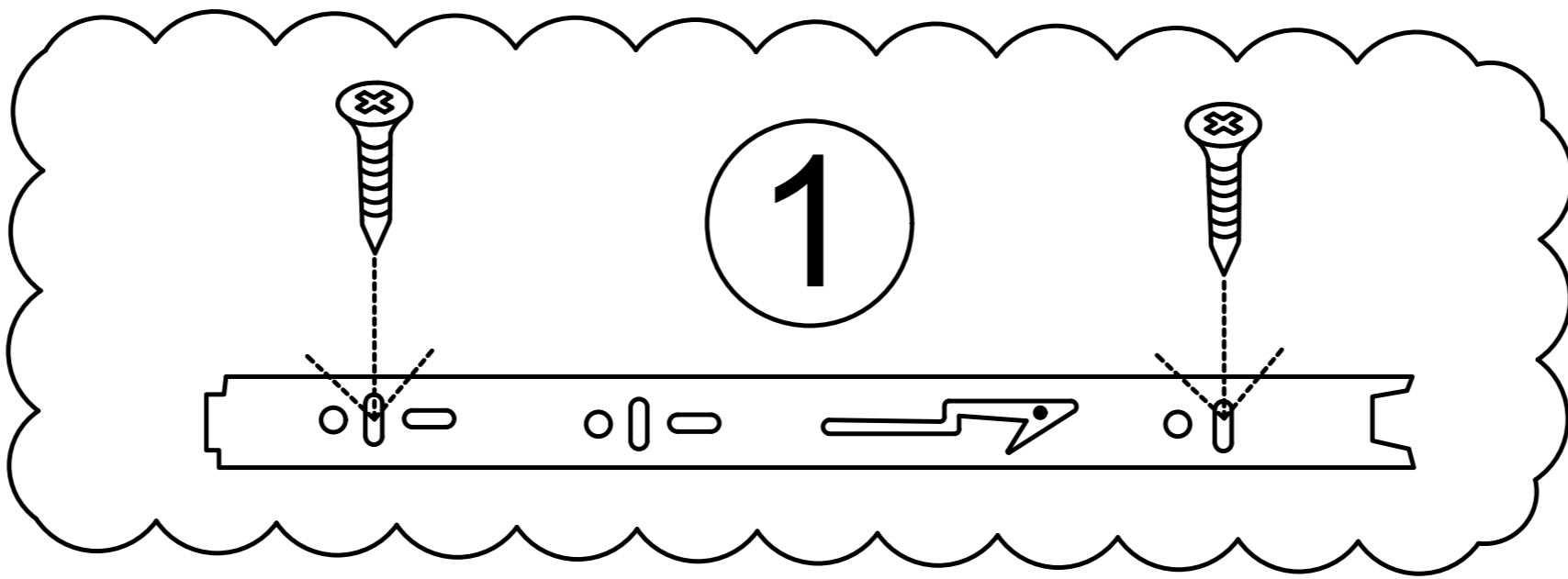


Step 2 : Press the nylon button and pull out ①.

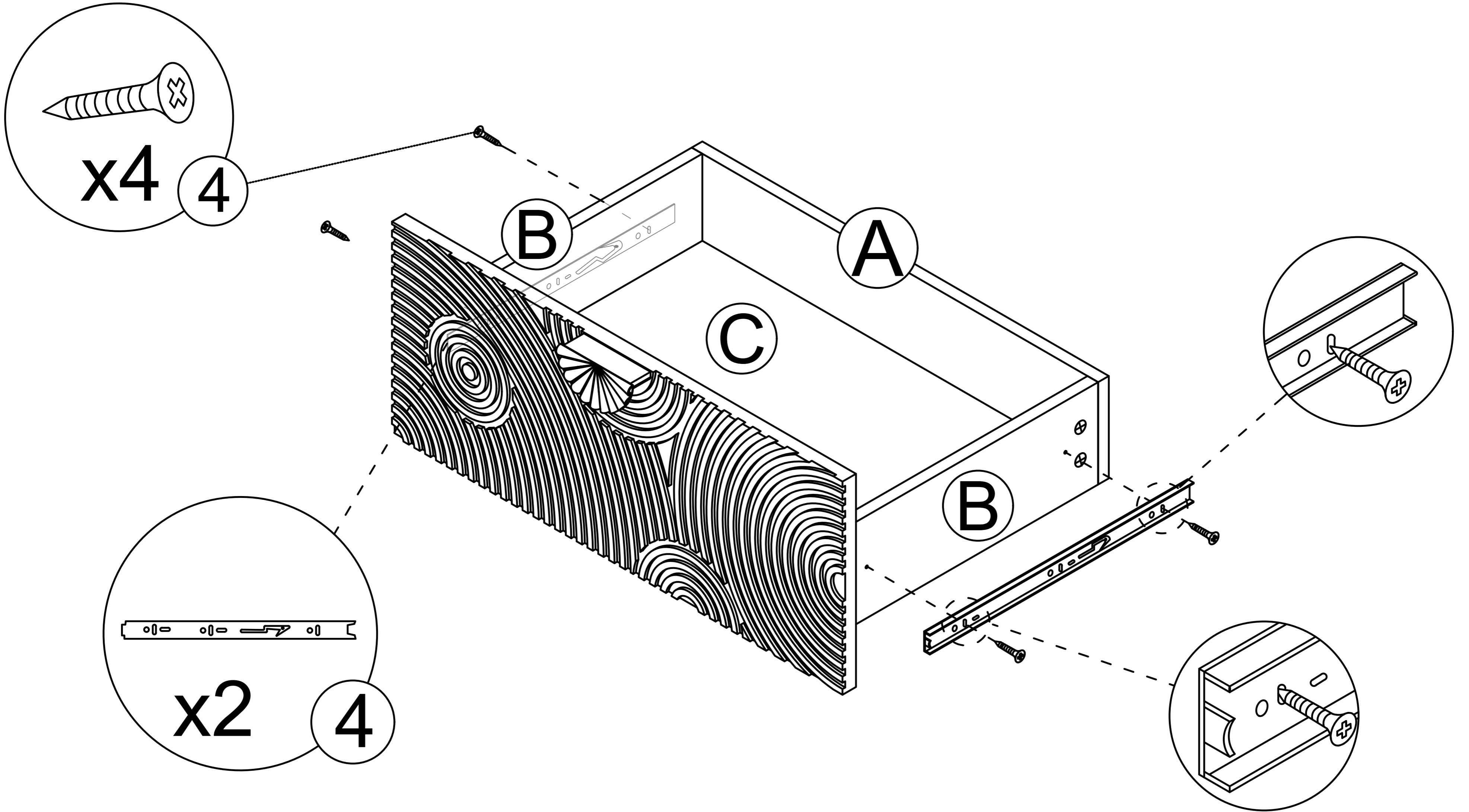
Drawer rail decomposition completed schematic diagram



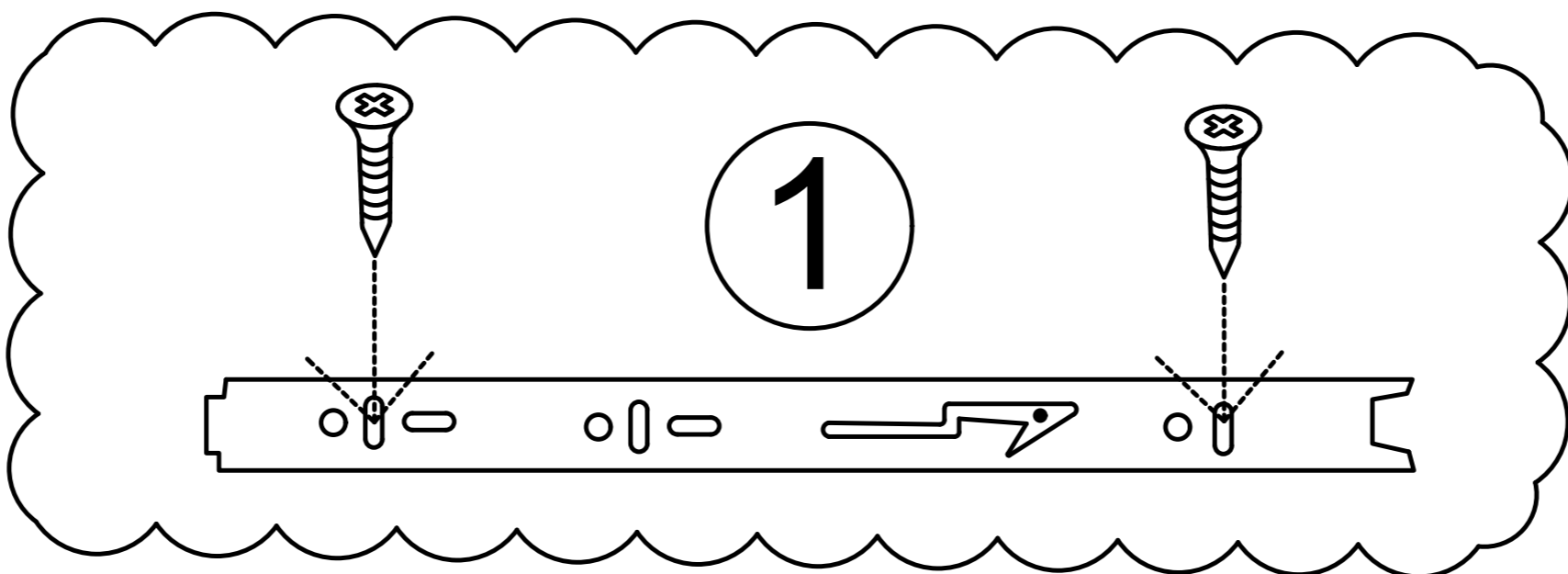
Step 8



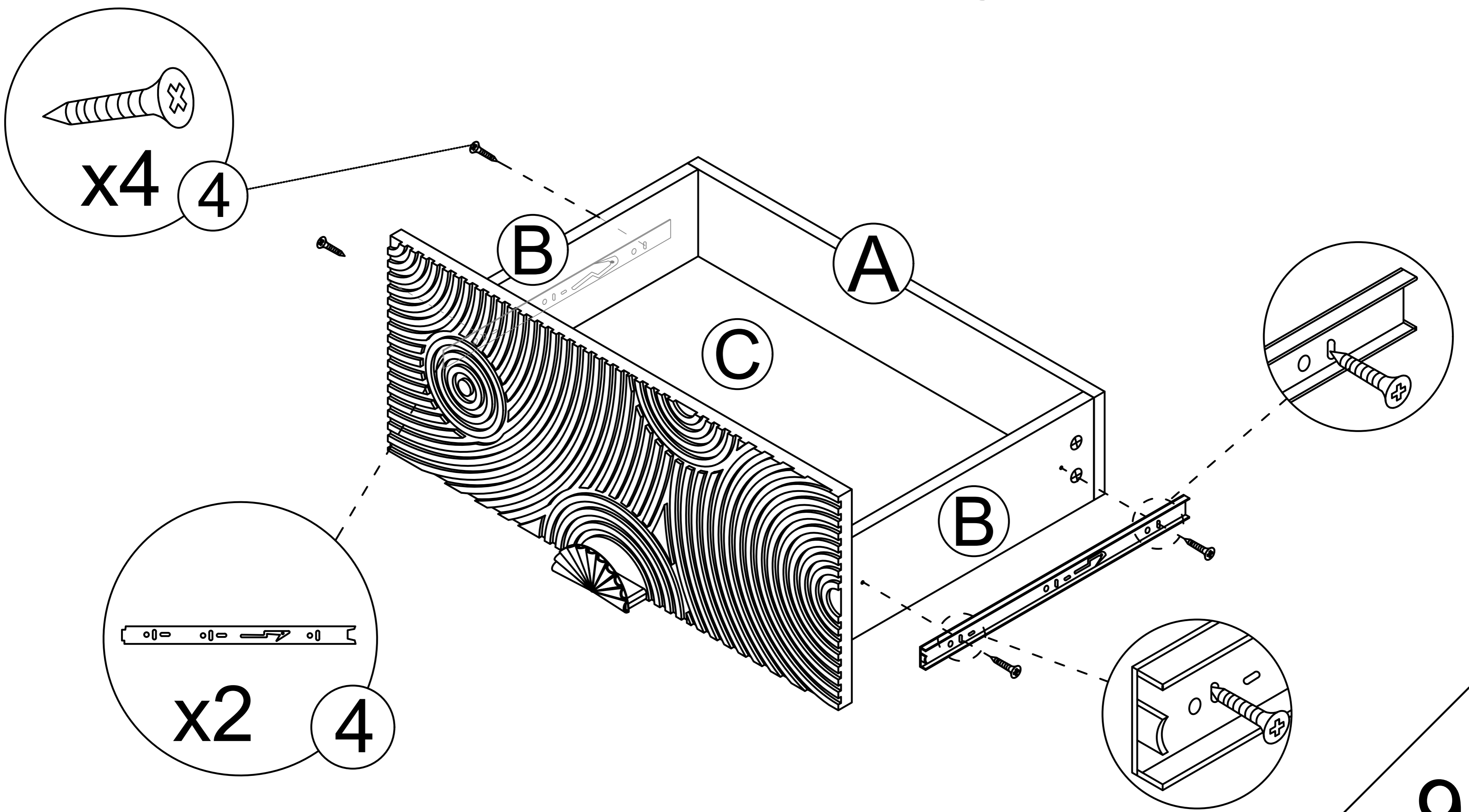
- 4 x2
- x4

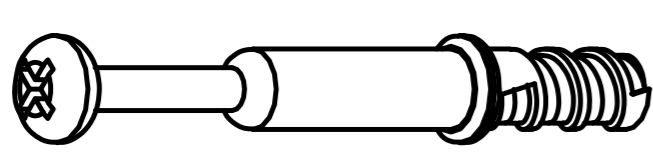
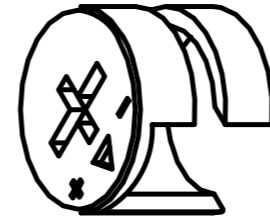
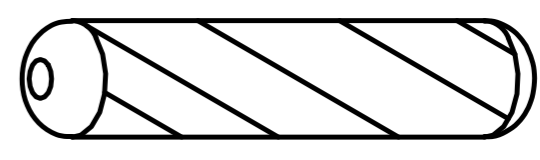
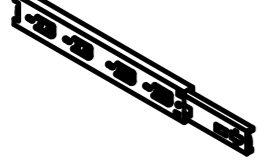







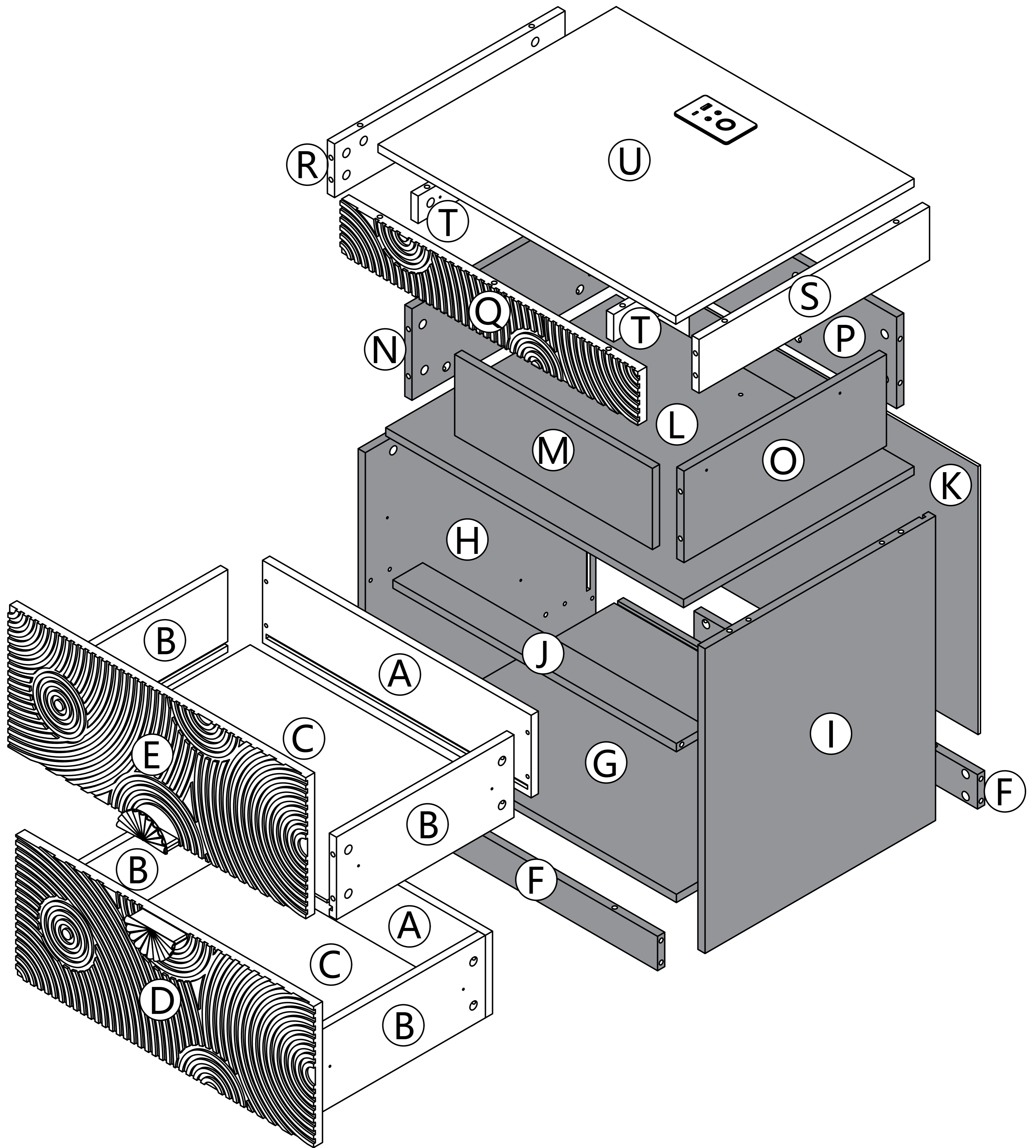
Step 9



- 4 x2
- x4

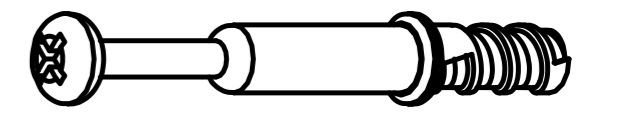


①		39pcs	②		39pcs	③		8pcs
④	 6pcs	 18pcs	⑥	  	1pcs	⑦		8pcs

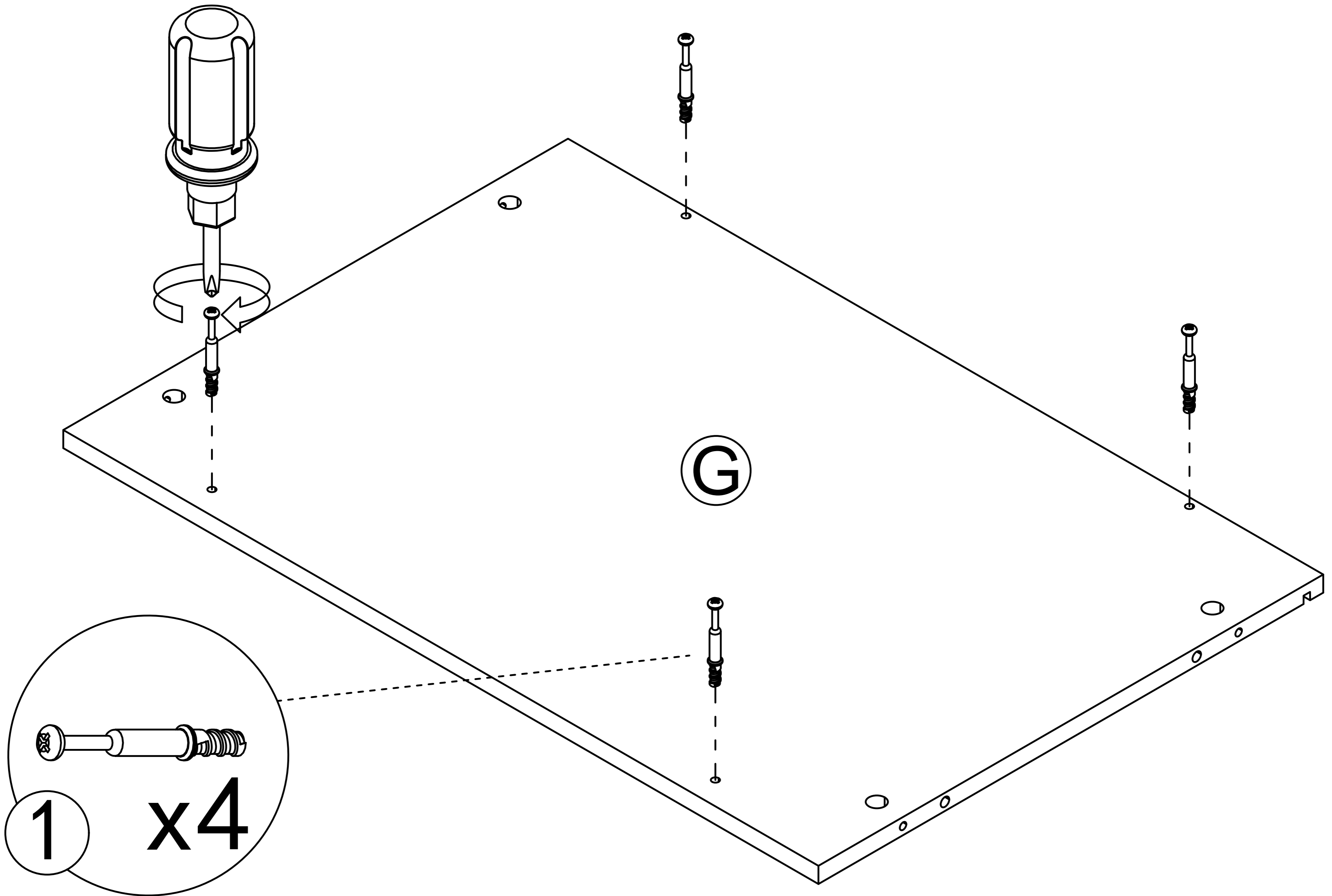


Step 10

1

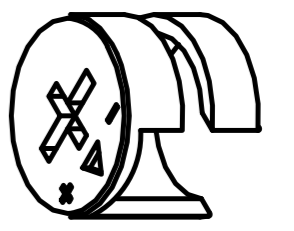


x4

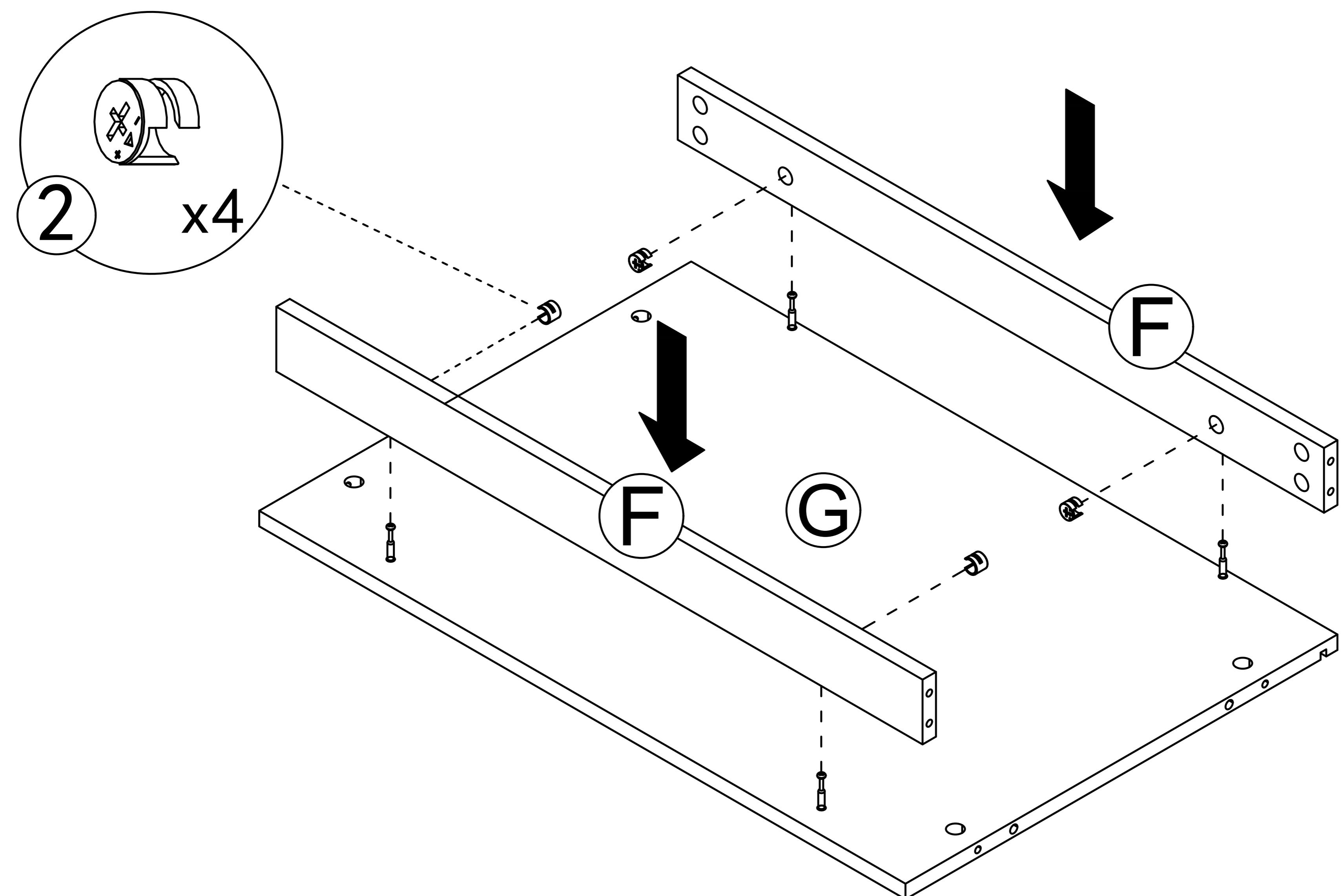


Step 11

2

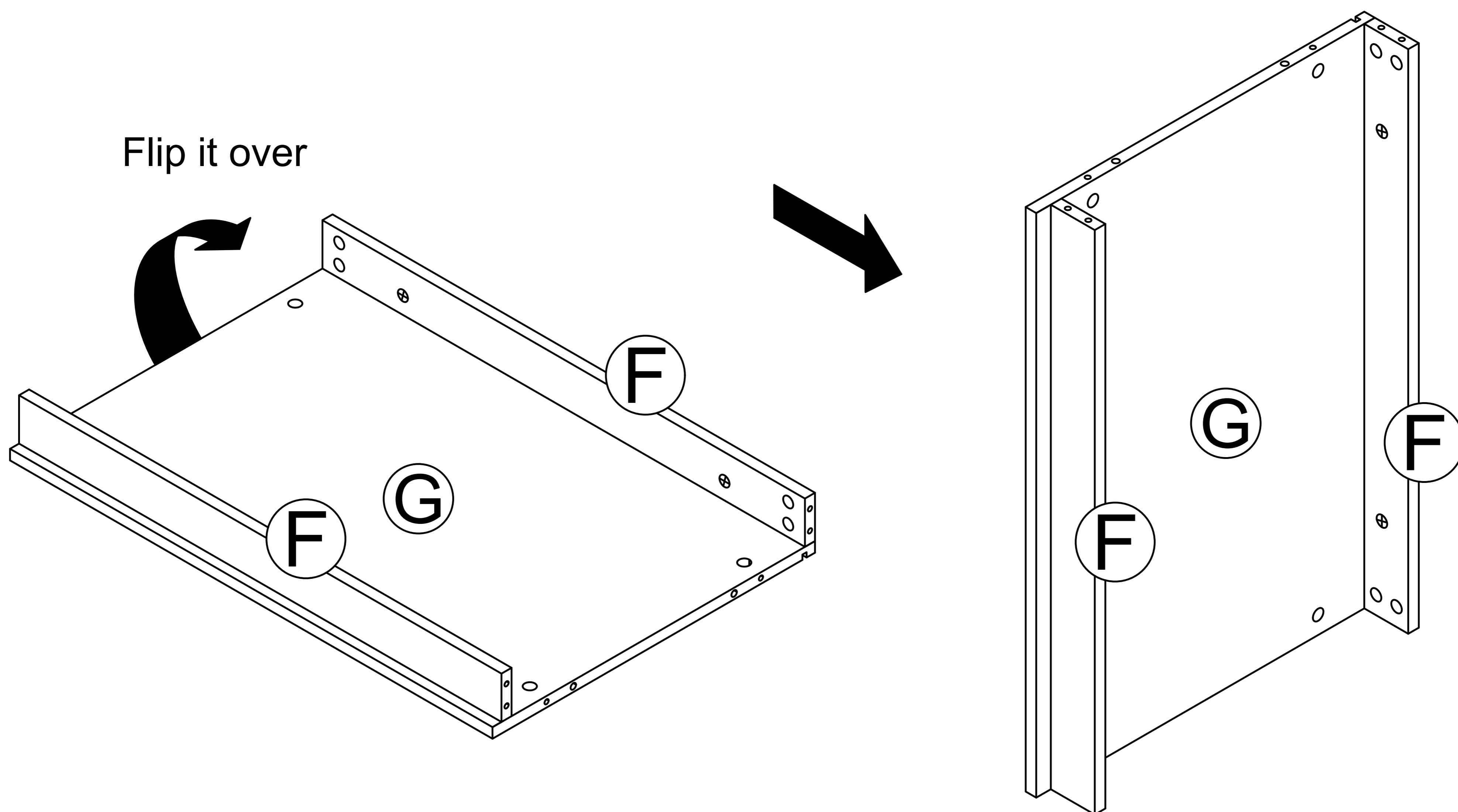


x4

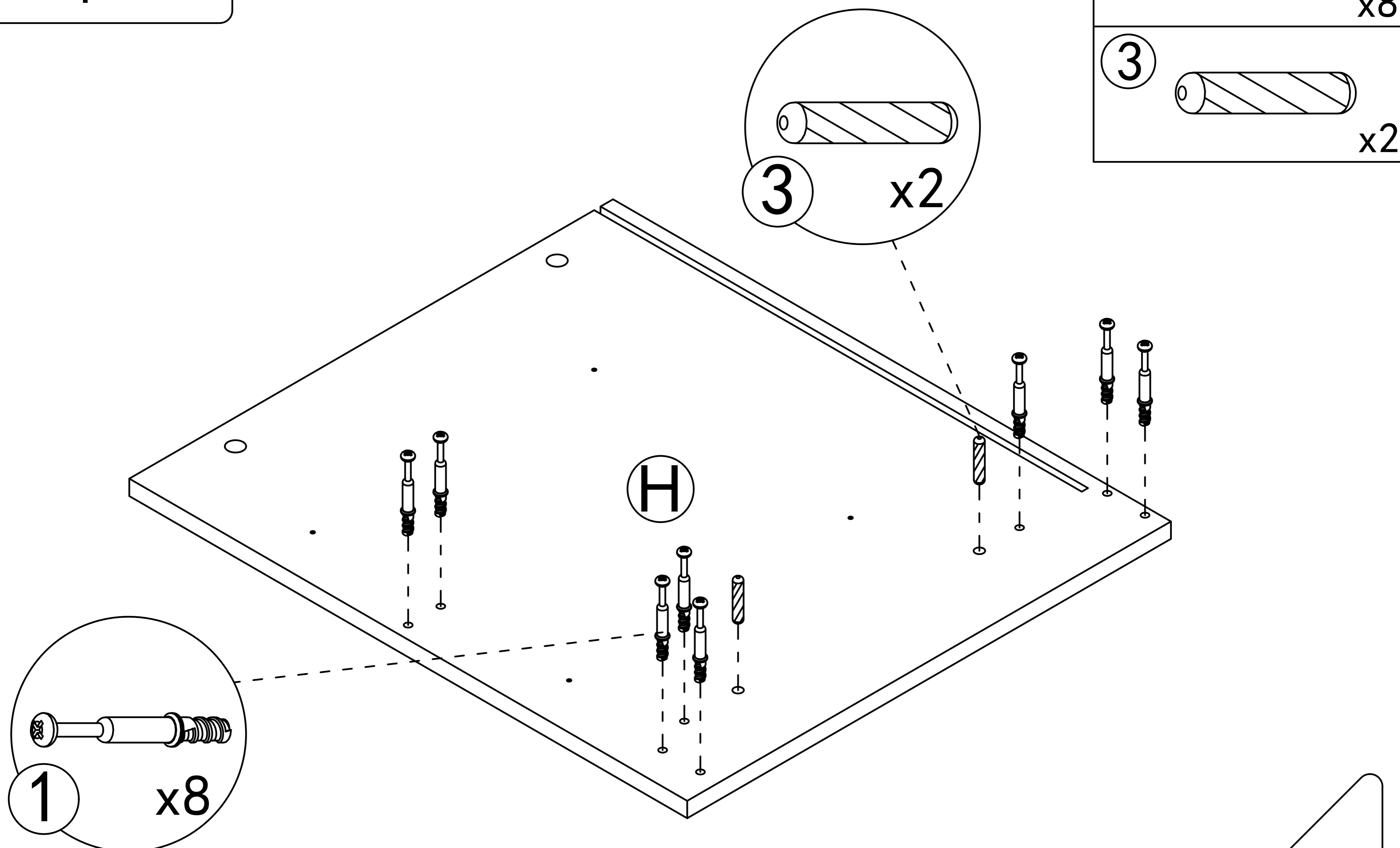


Step 12

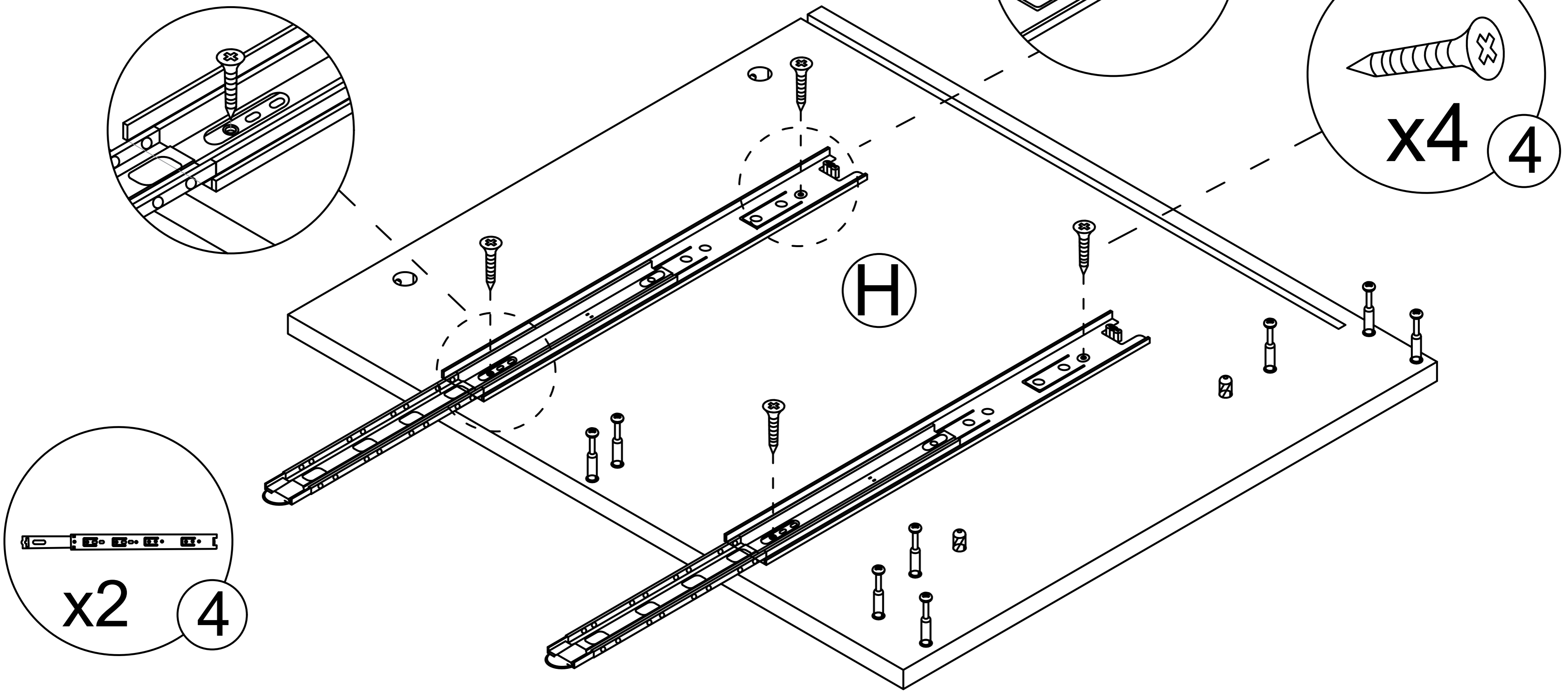
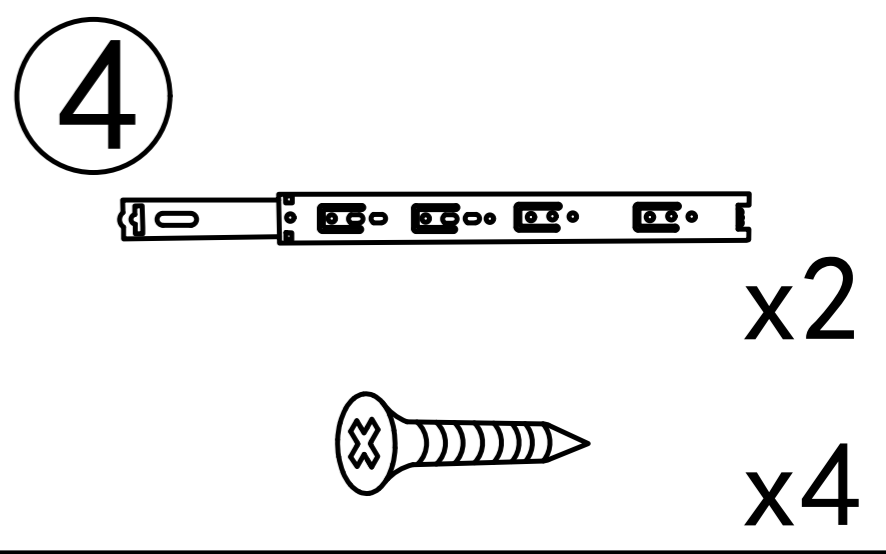
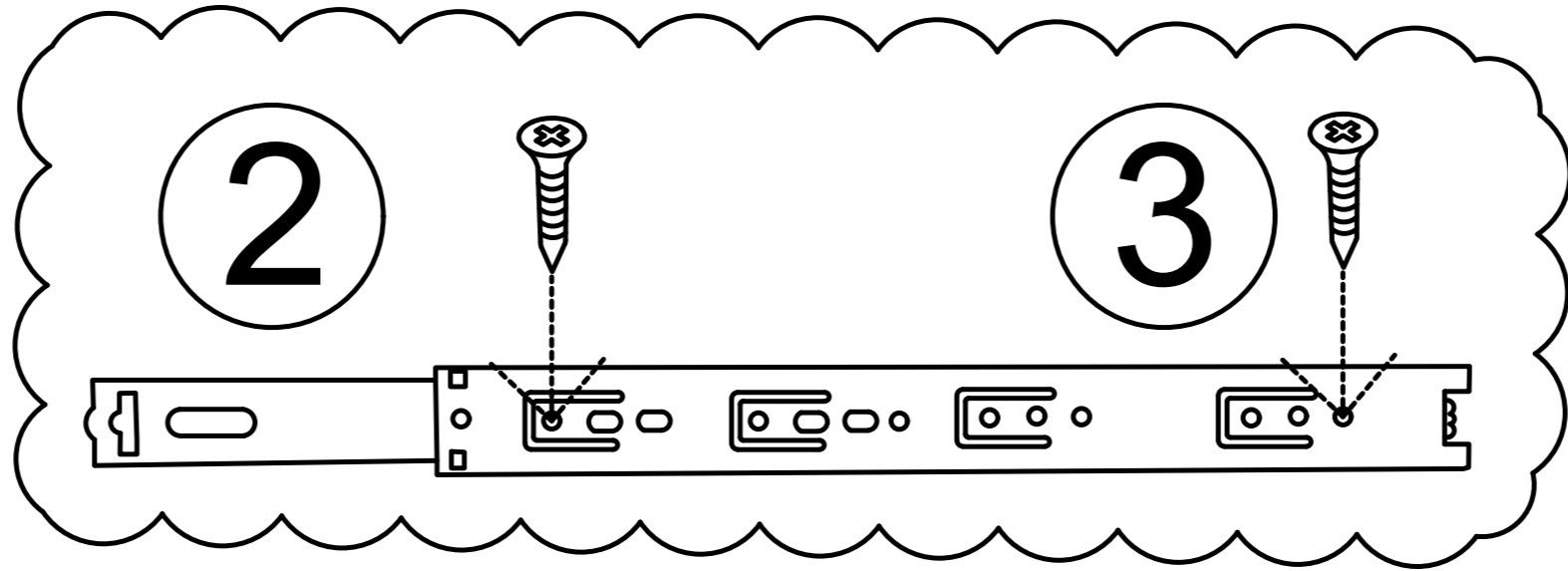
Flip it over



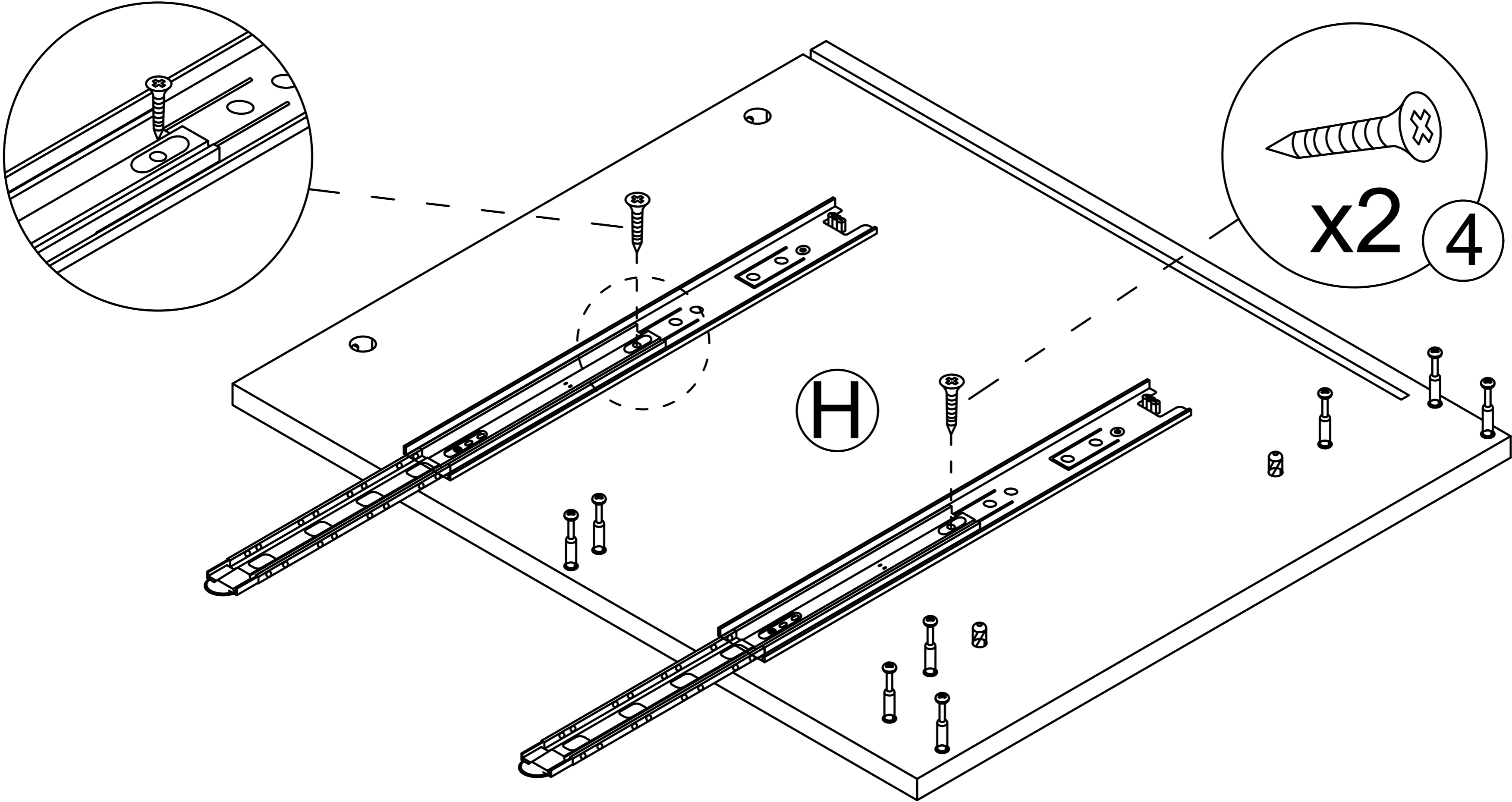
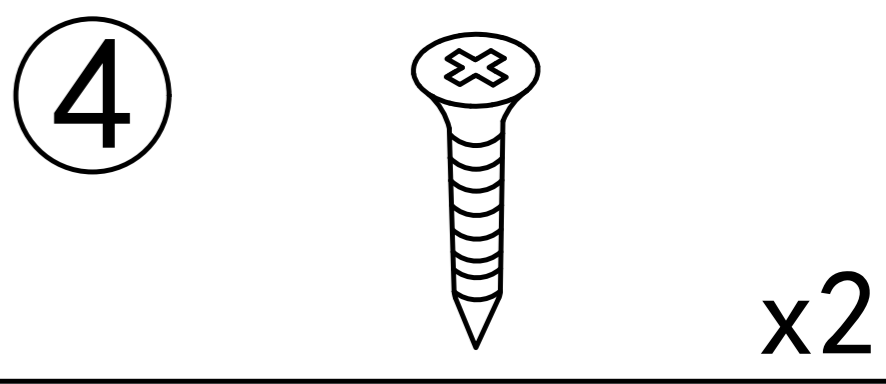
Step 13



Step 14

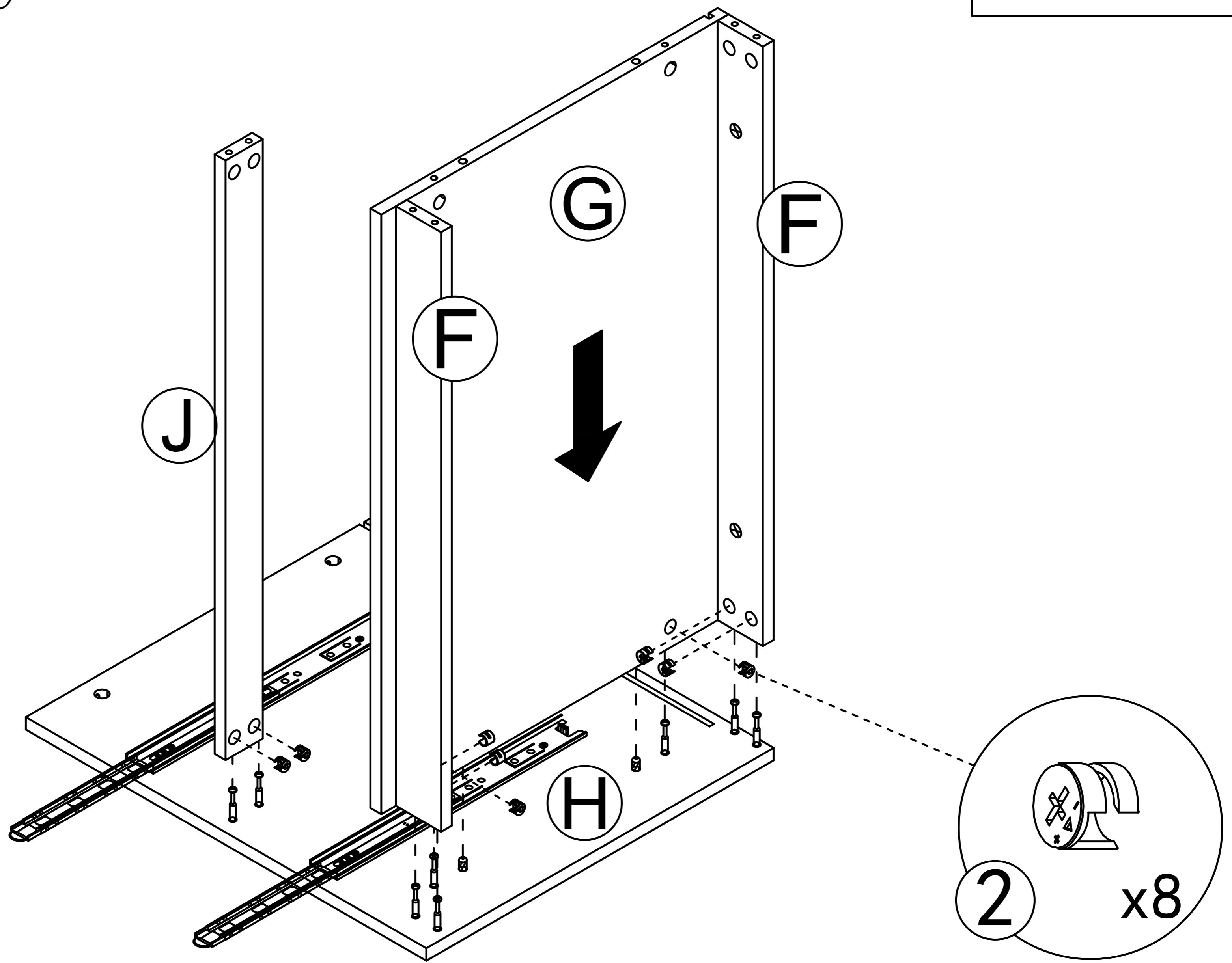
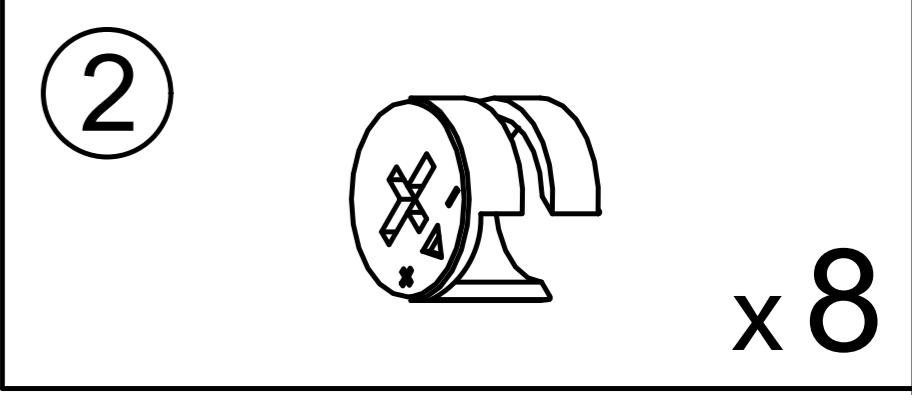


Step 15

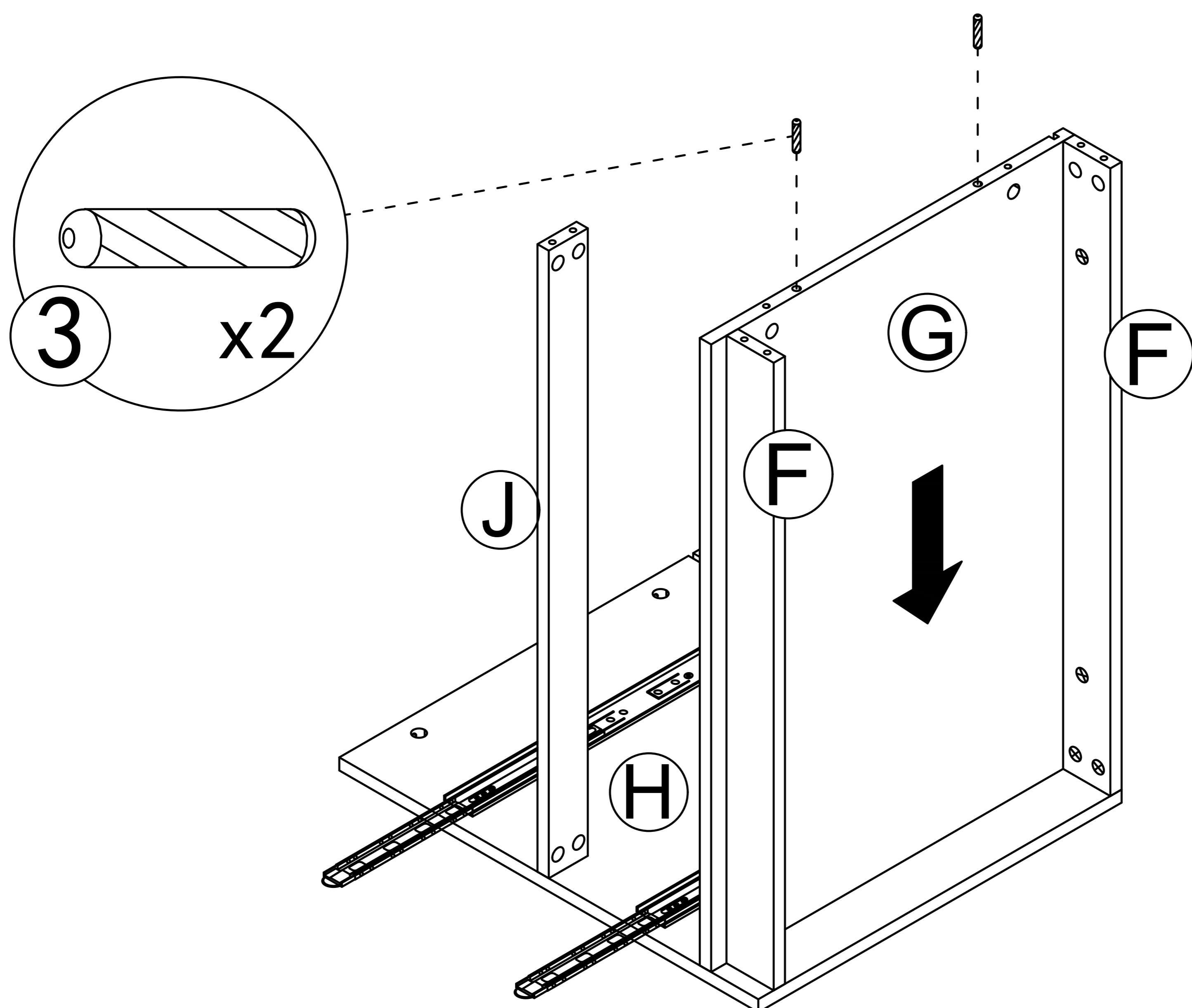
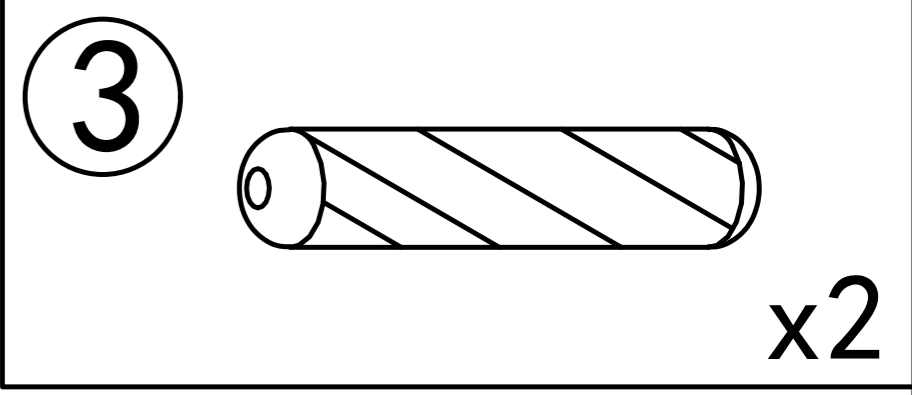


This hole is for strengthening fixed hole customers can choose to install according to their needs.

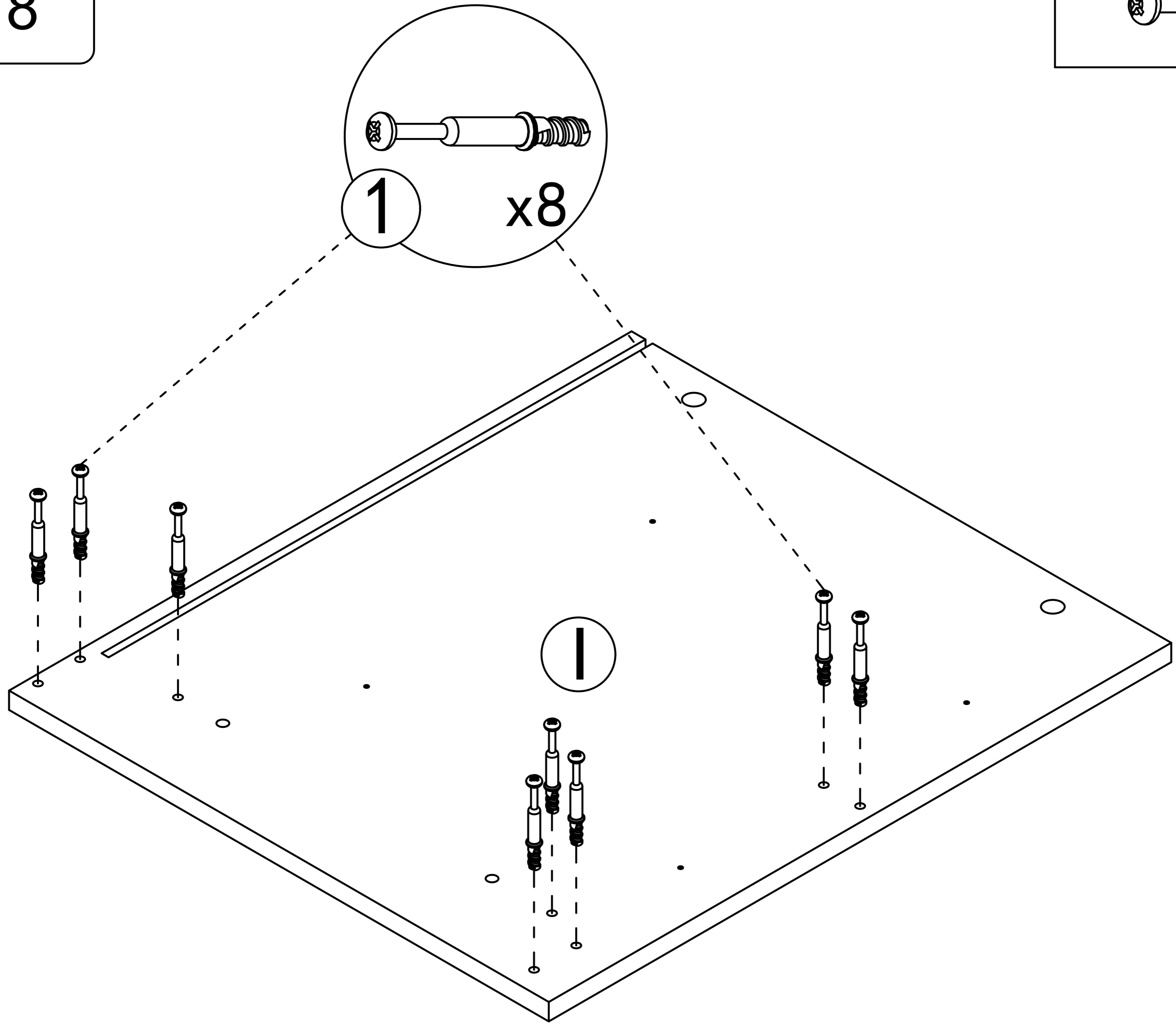
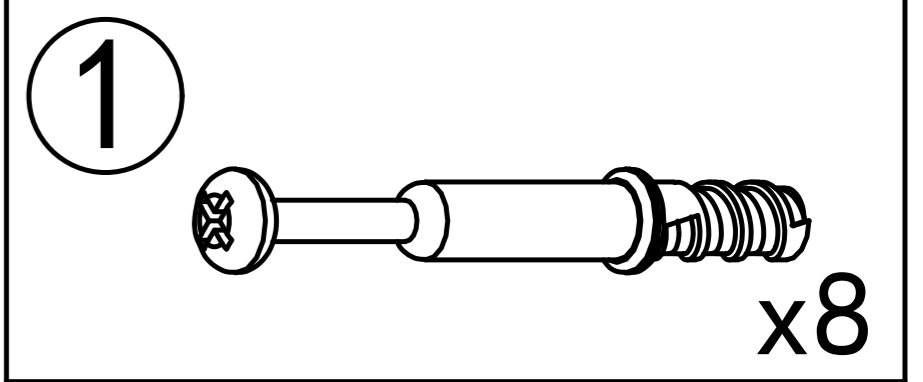
Step 16



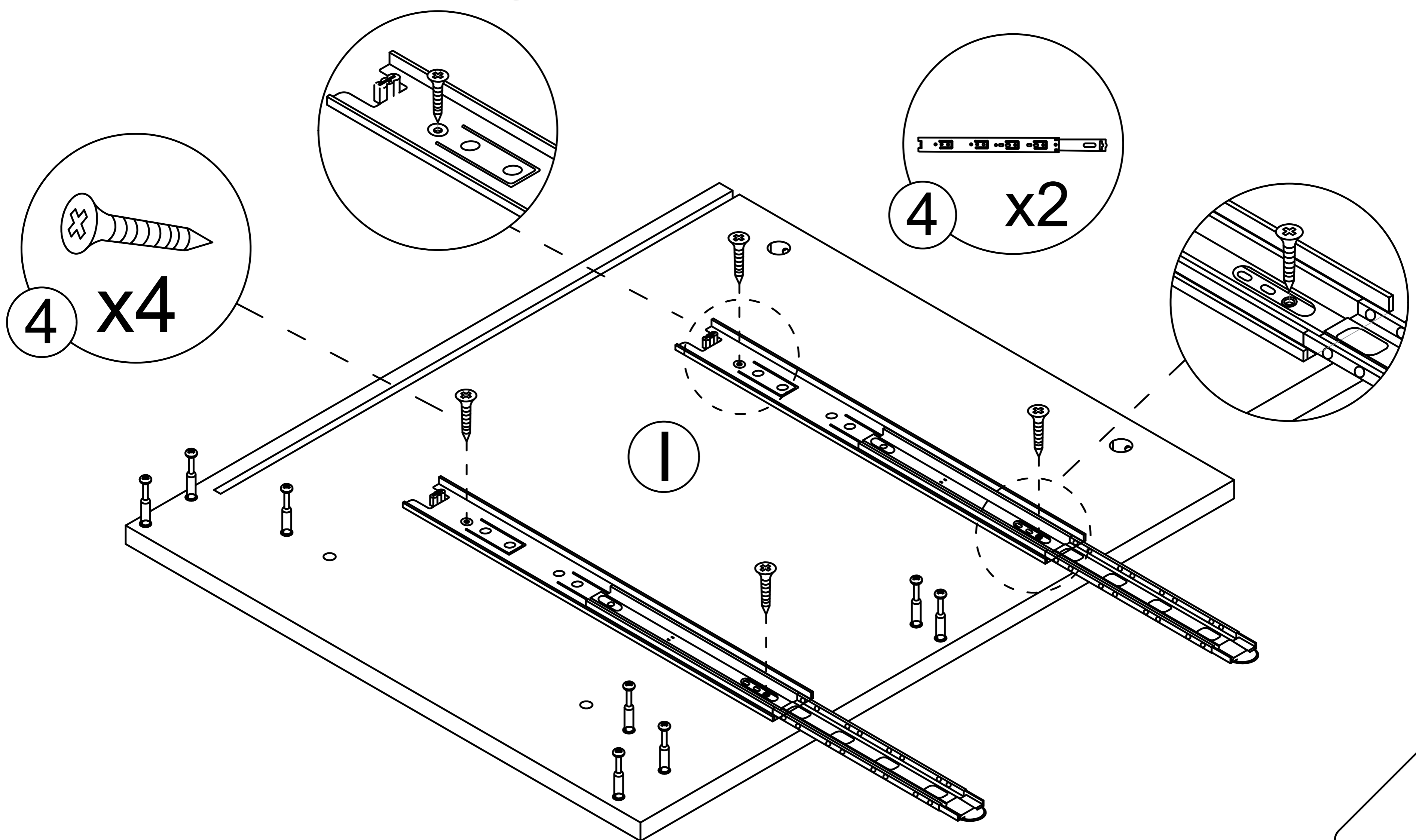
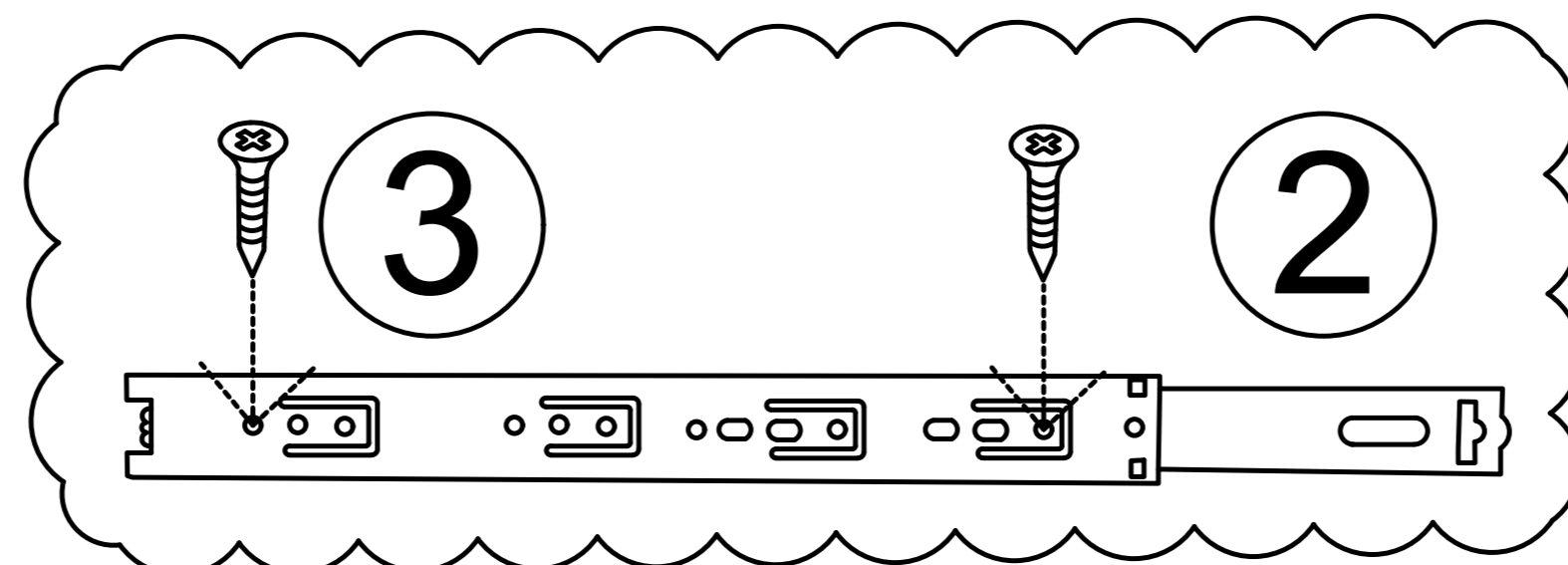
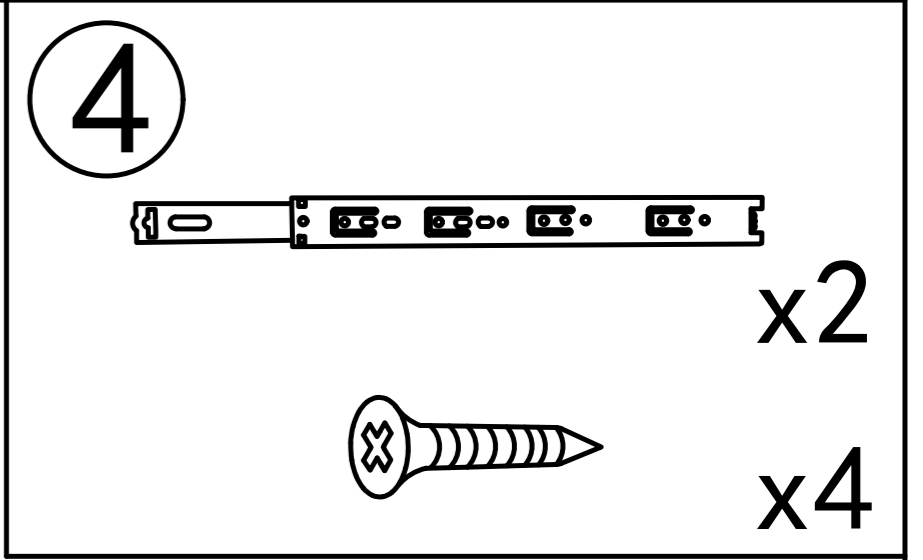
Step 17



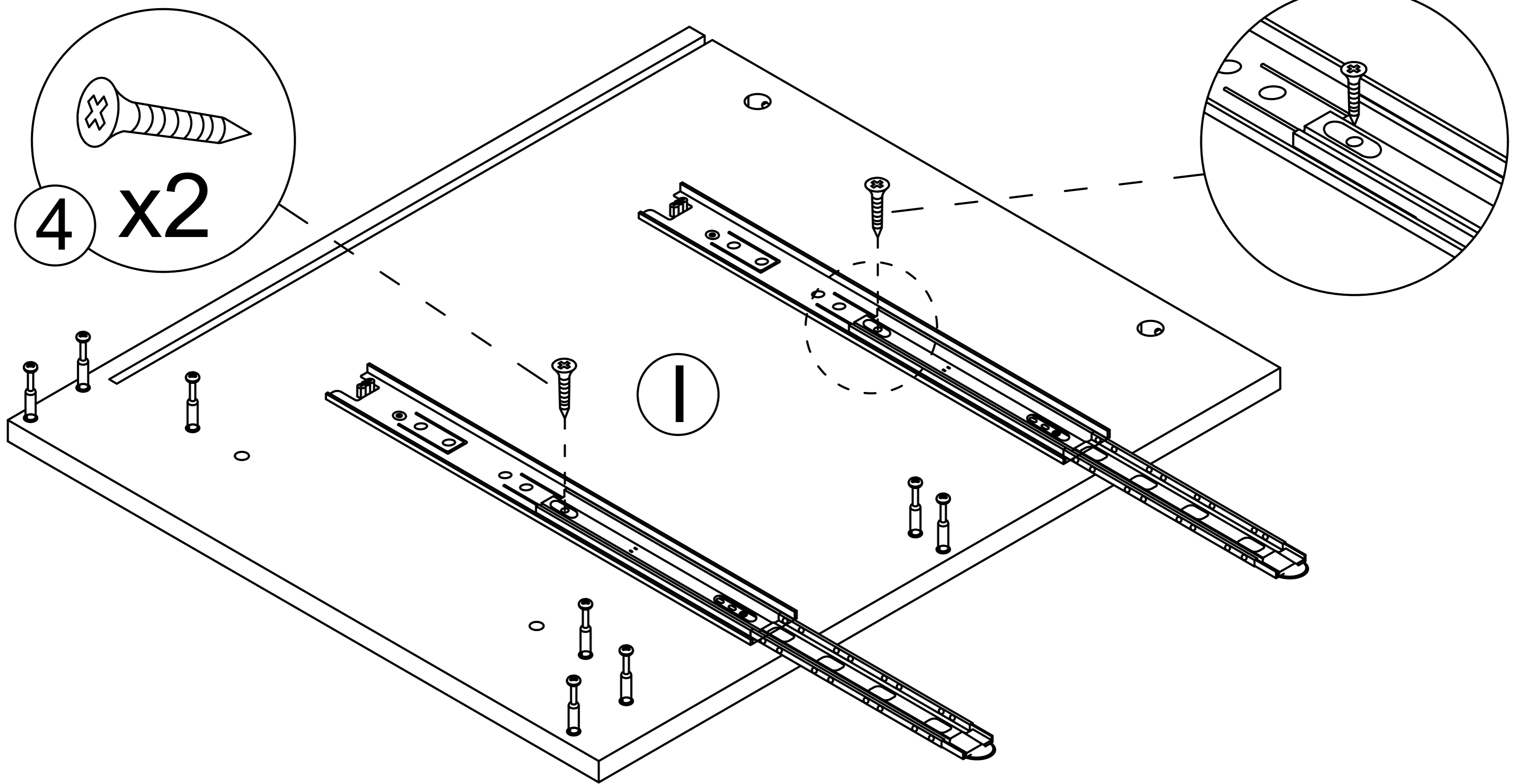
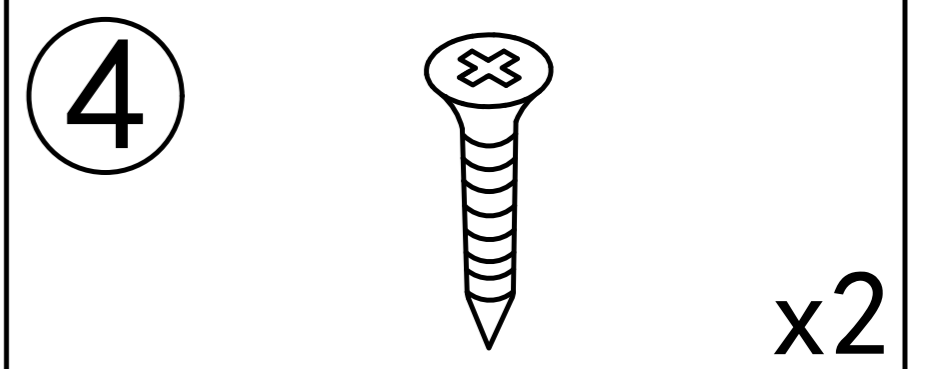
Step 18



Step 19

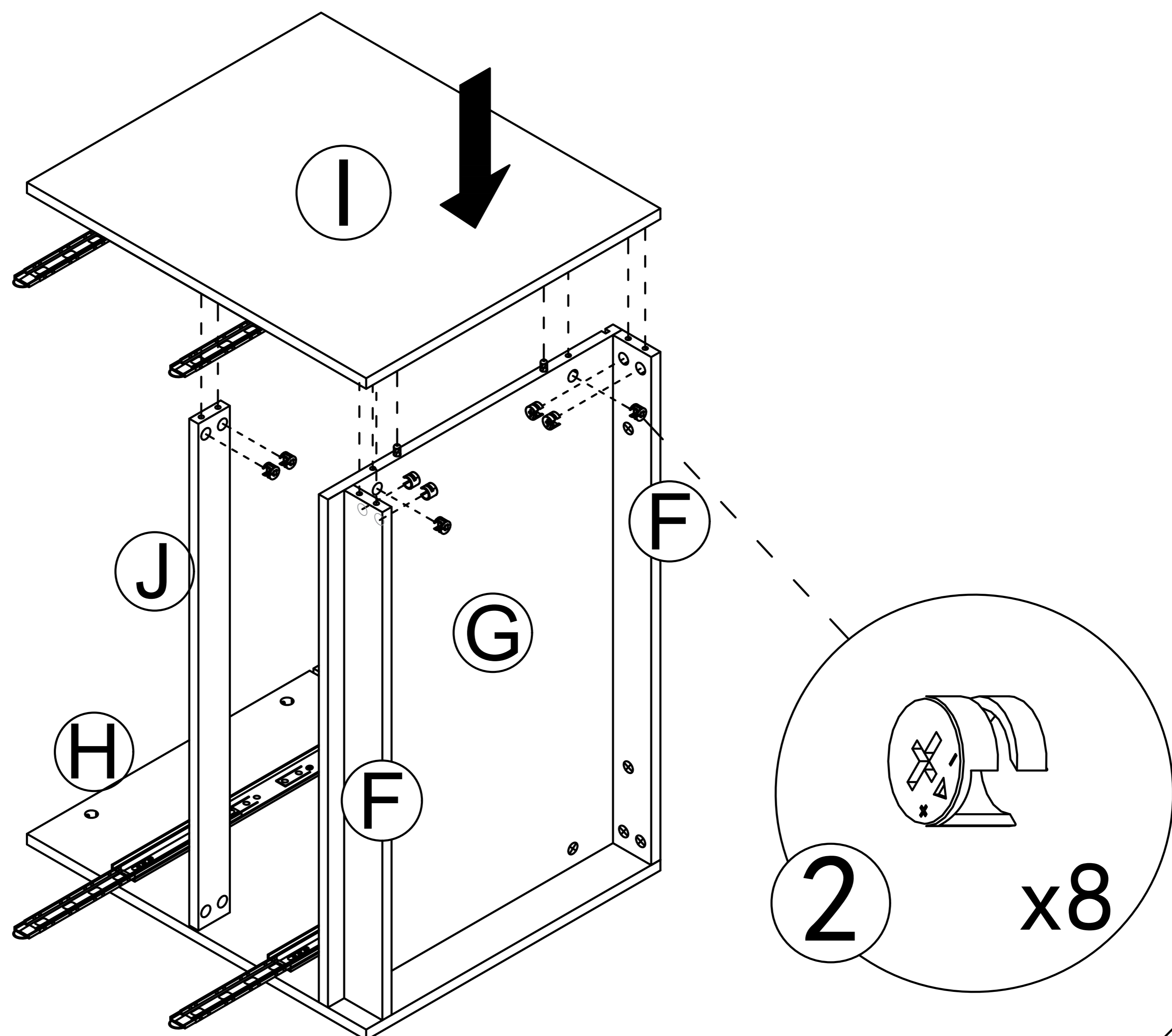
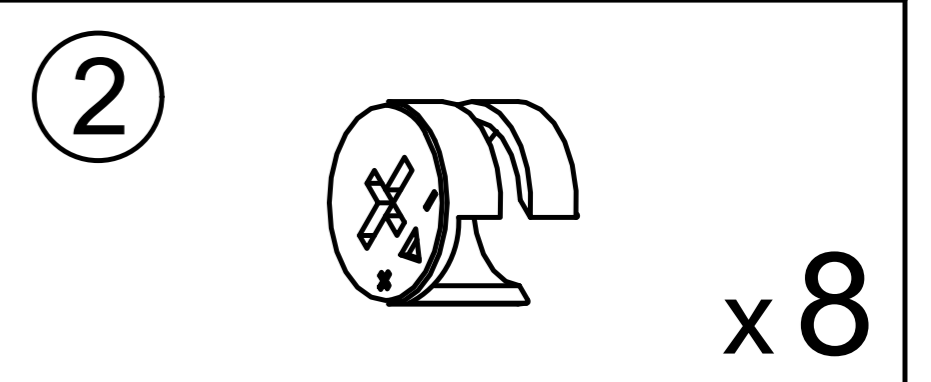


Step 20

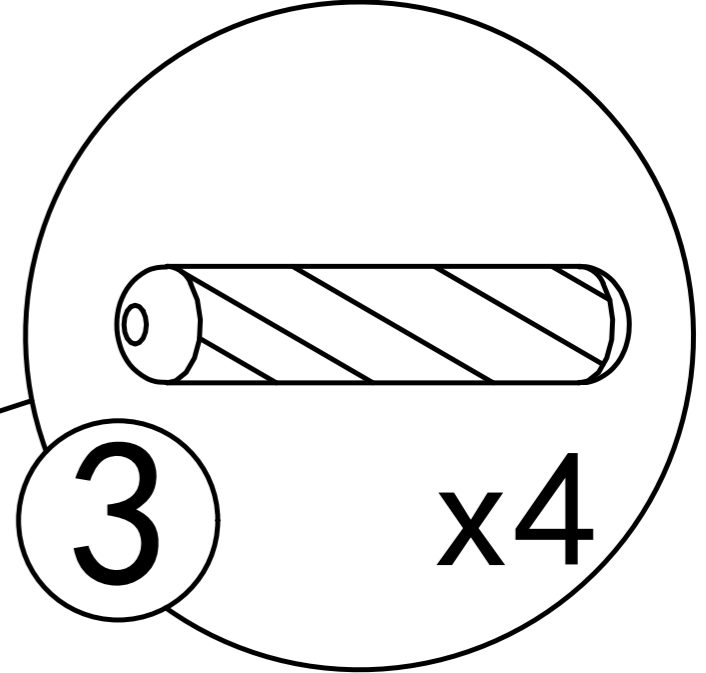
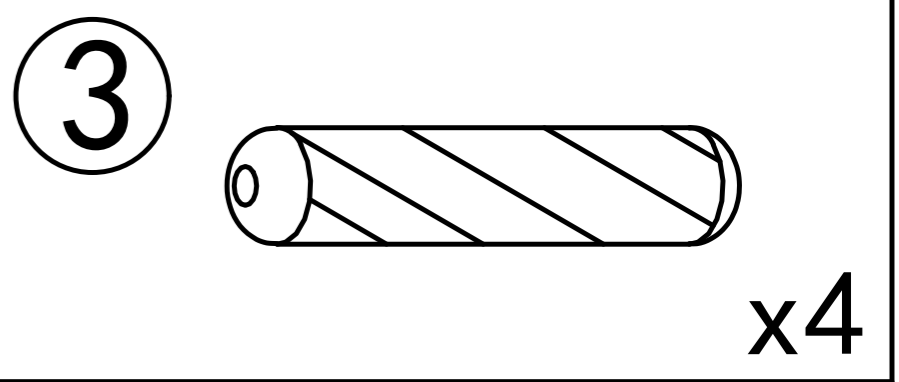
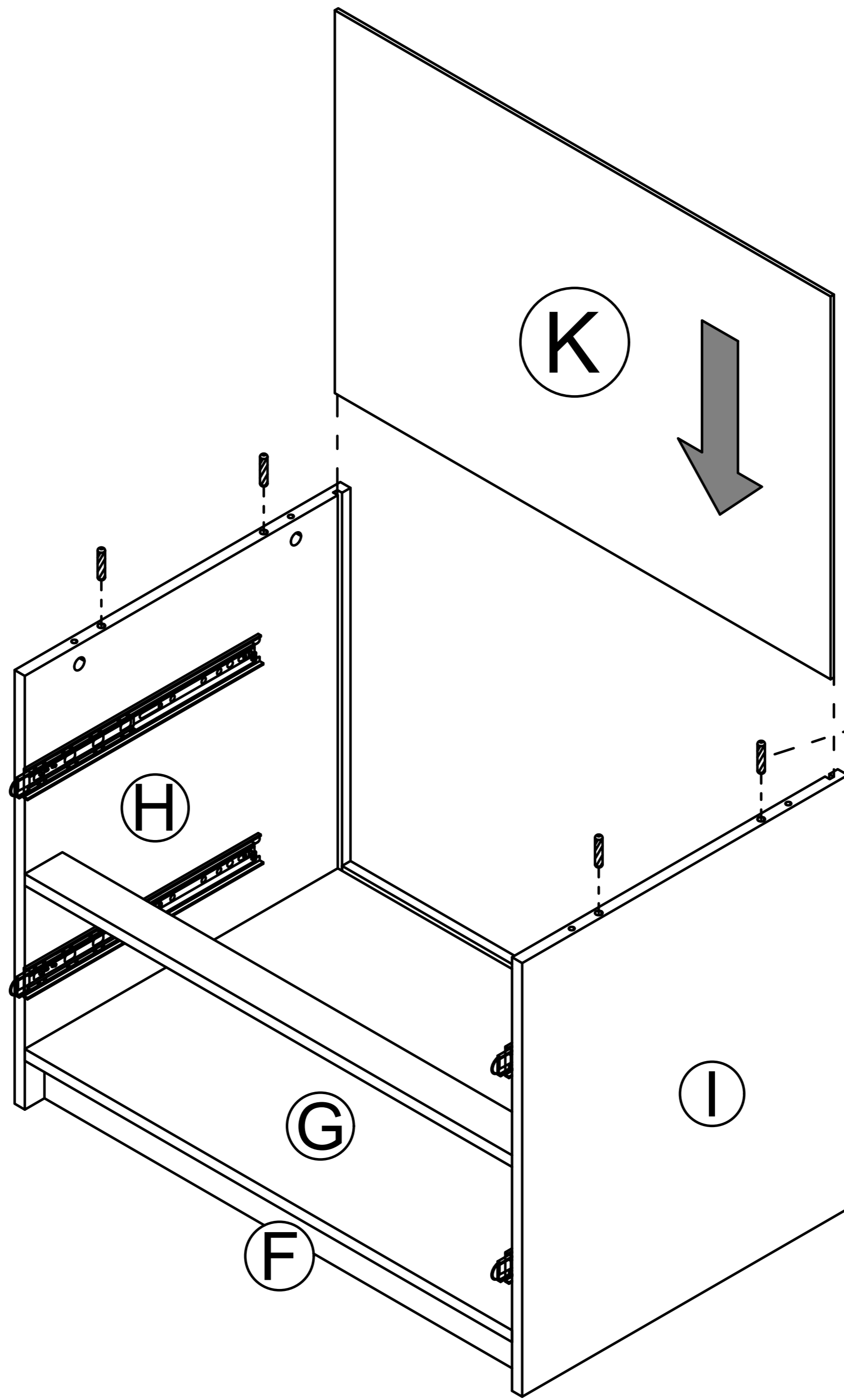


This hole is for strengthening fixed hole customers can choose to install according to their needs.

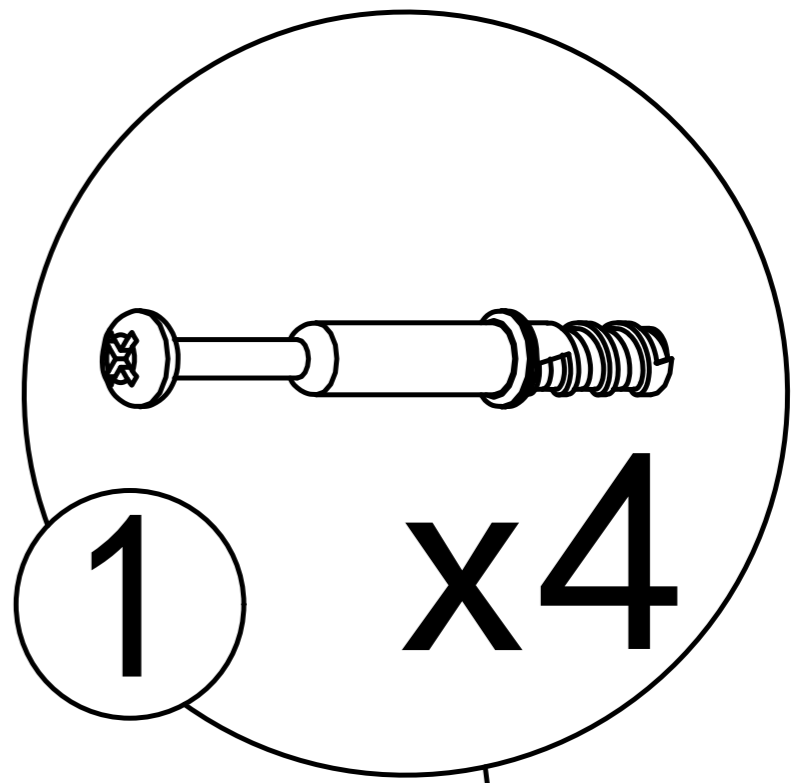
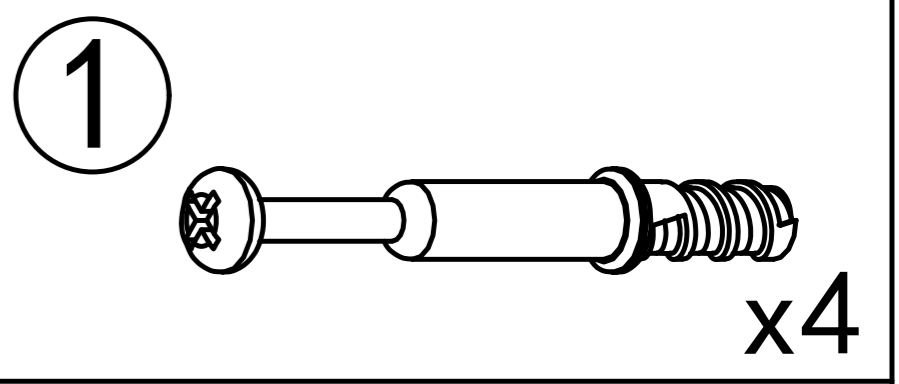
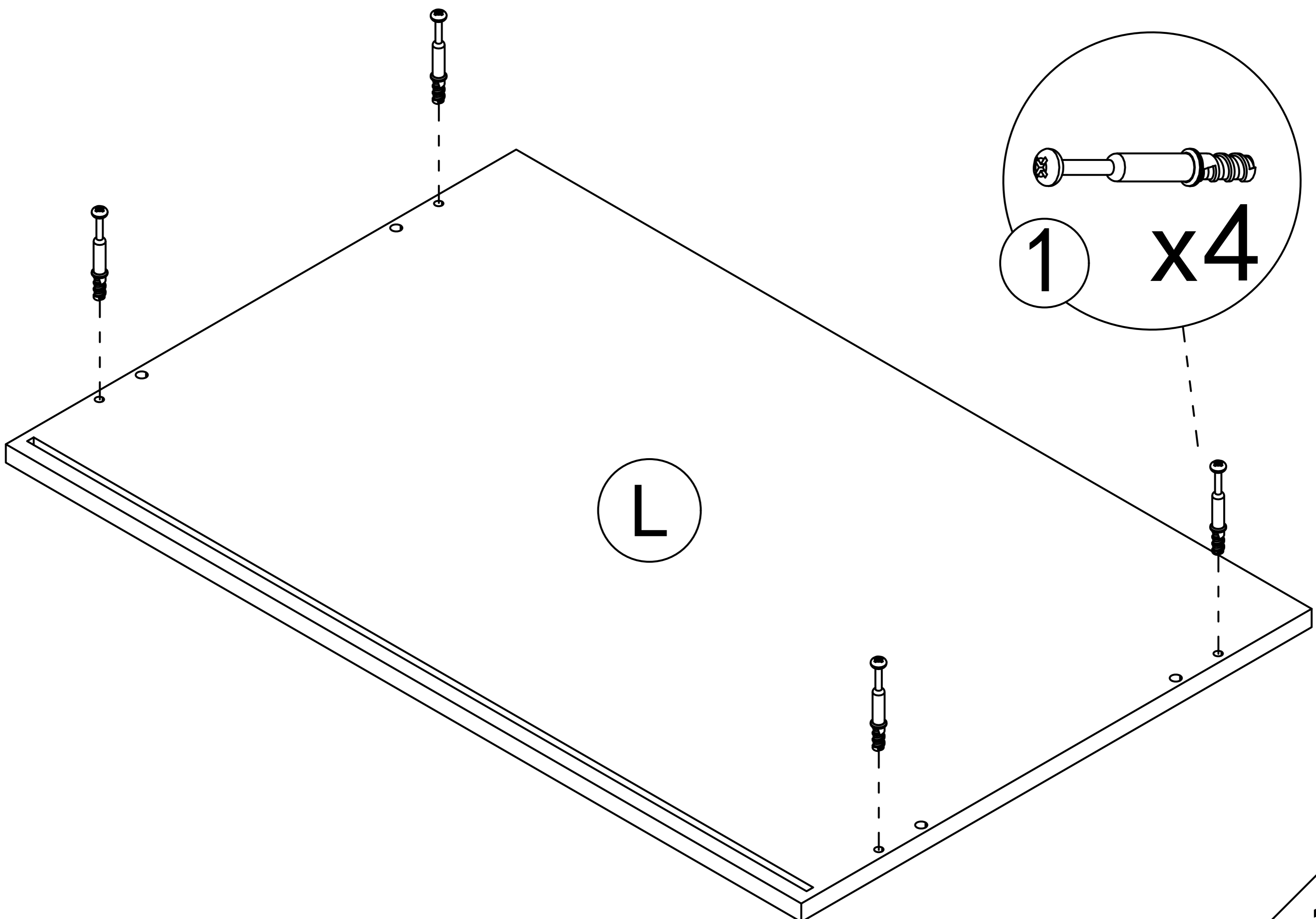
Step 21



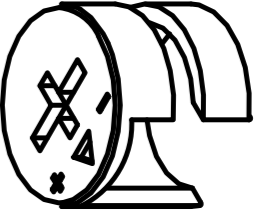
Step 22

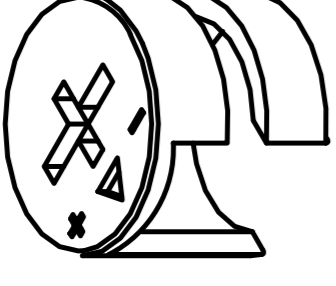


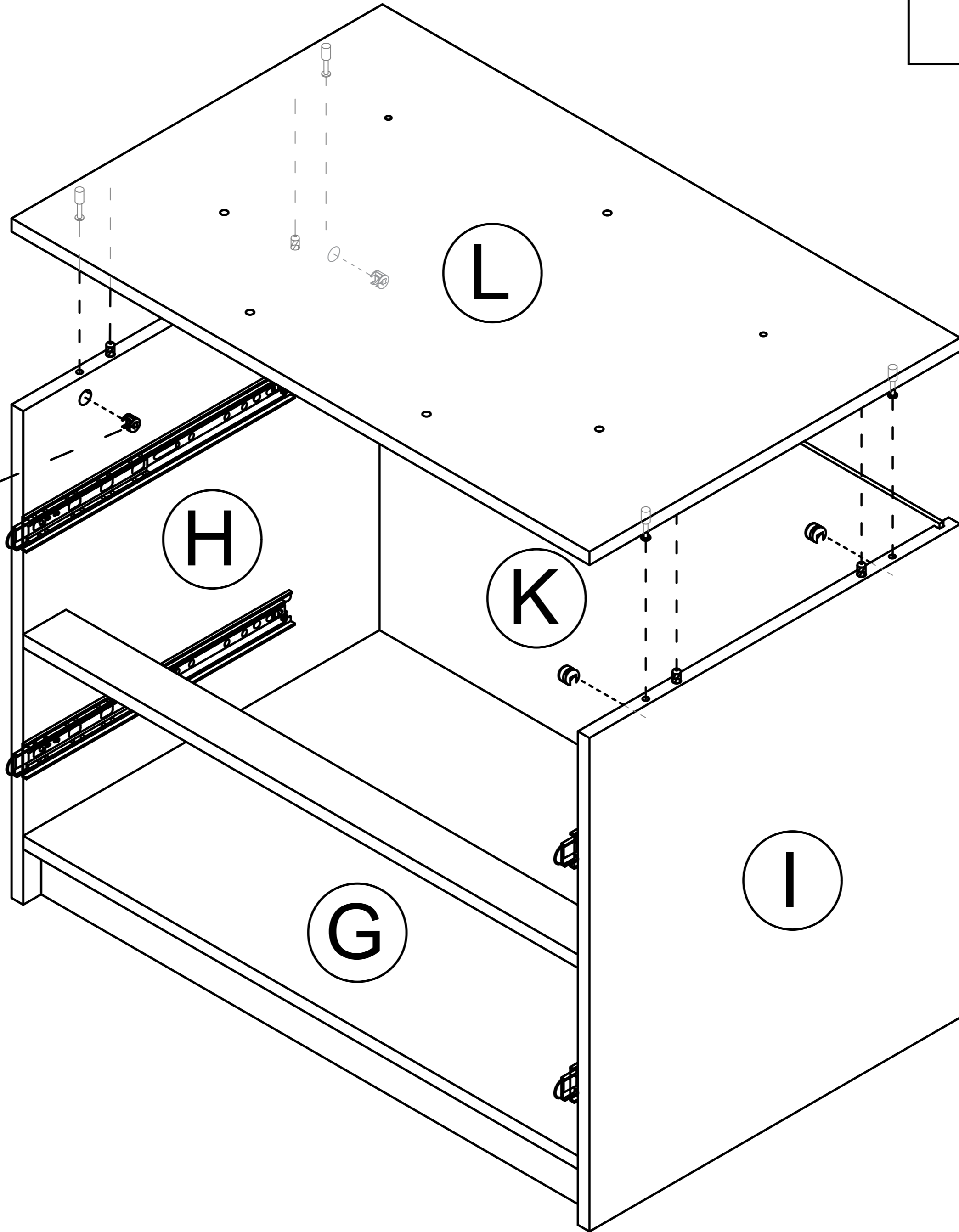
Step 23



Step 24

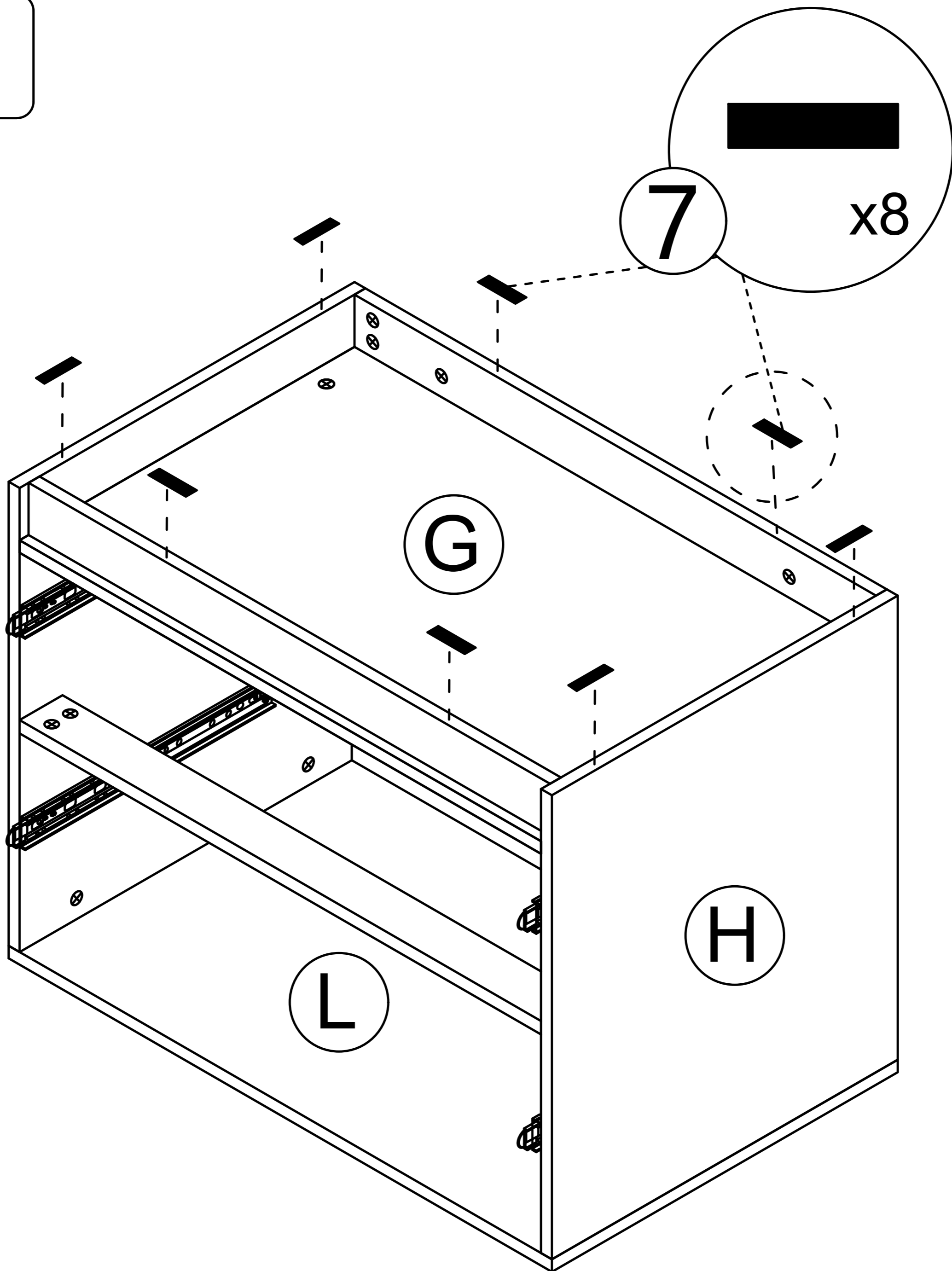
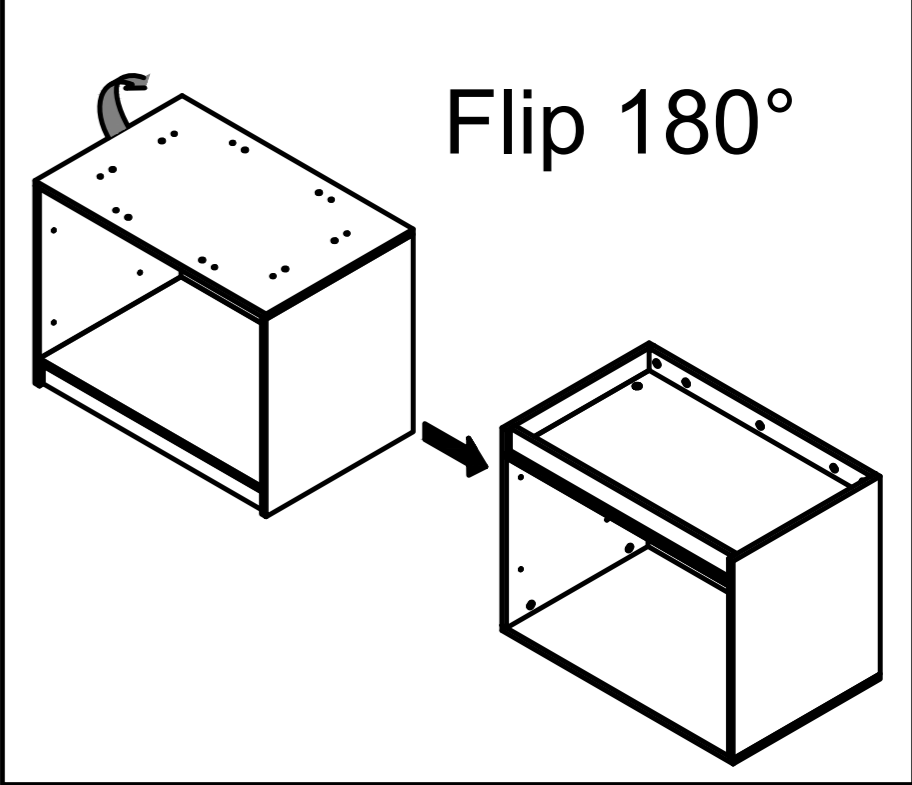
②  x4

②  x4

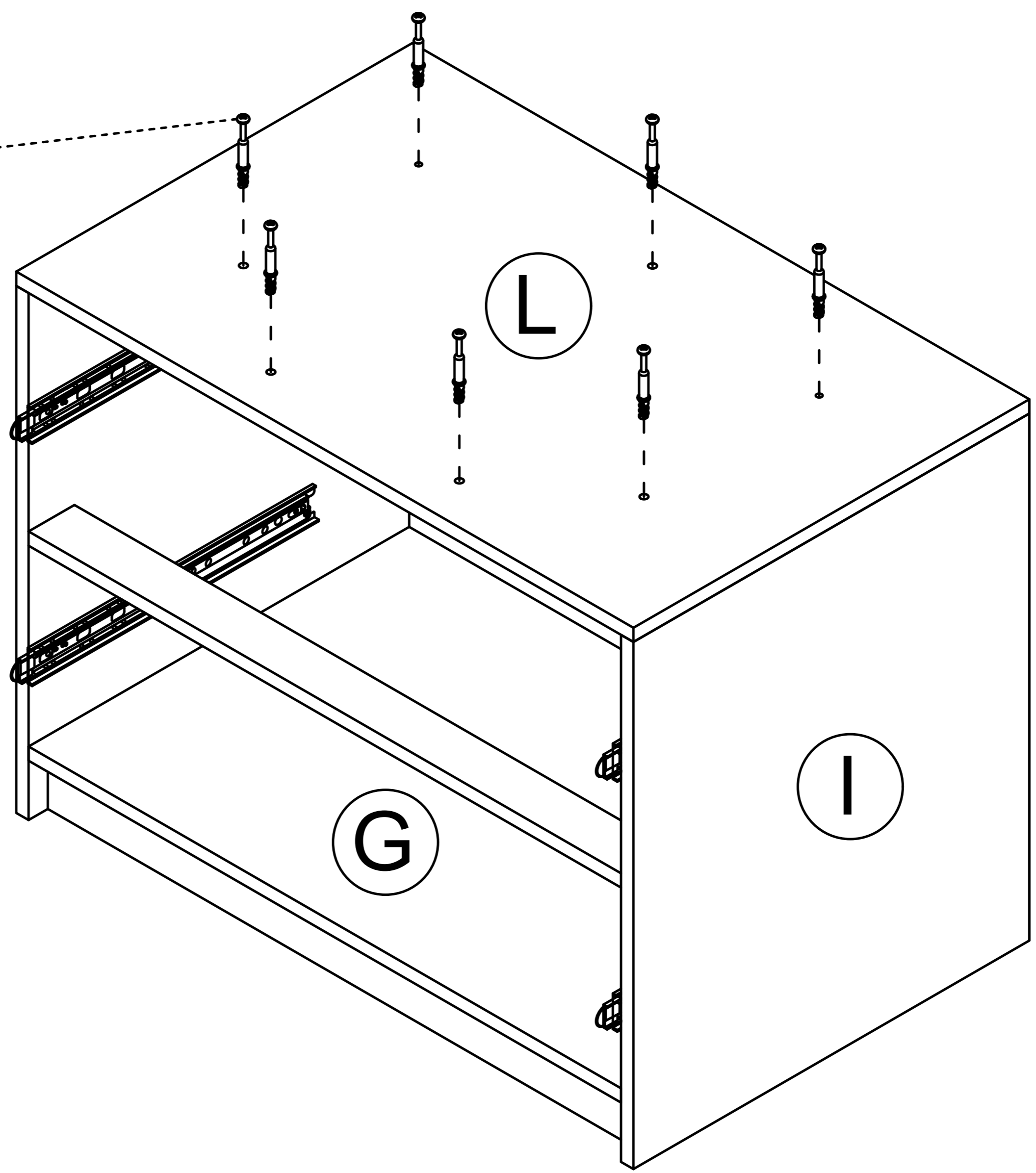
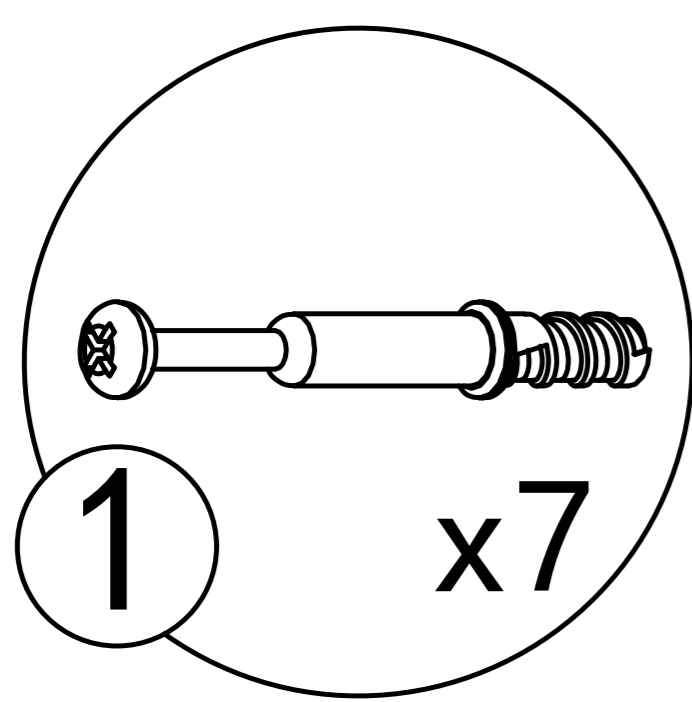
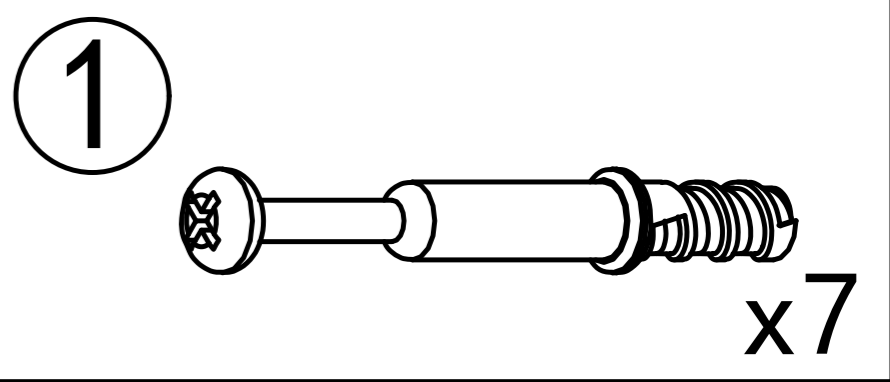


Step 25

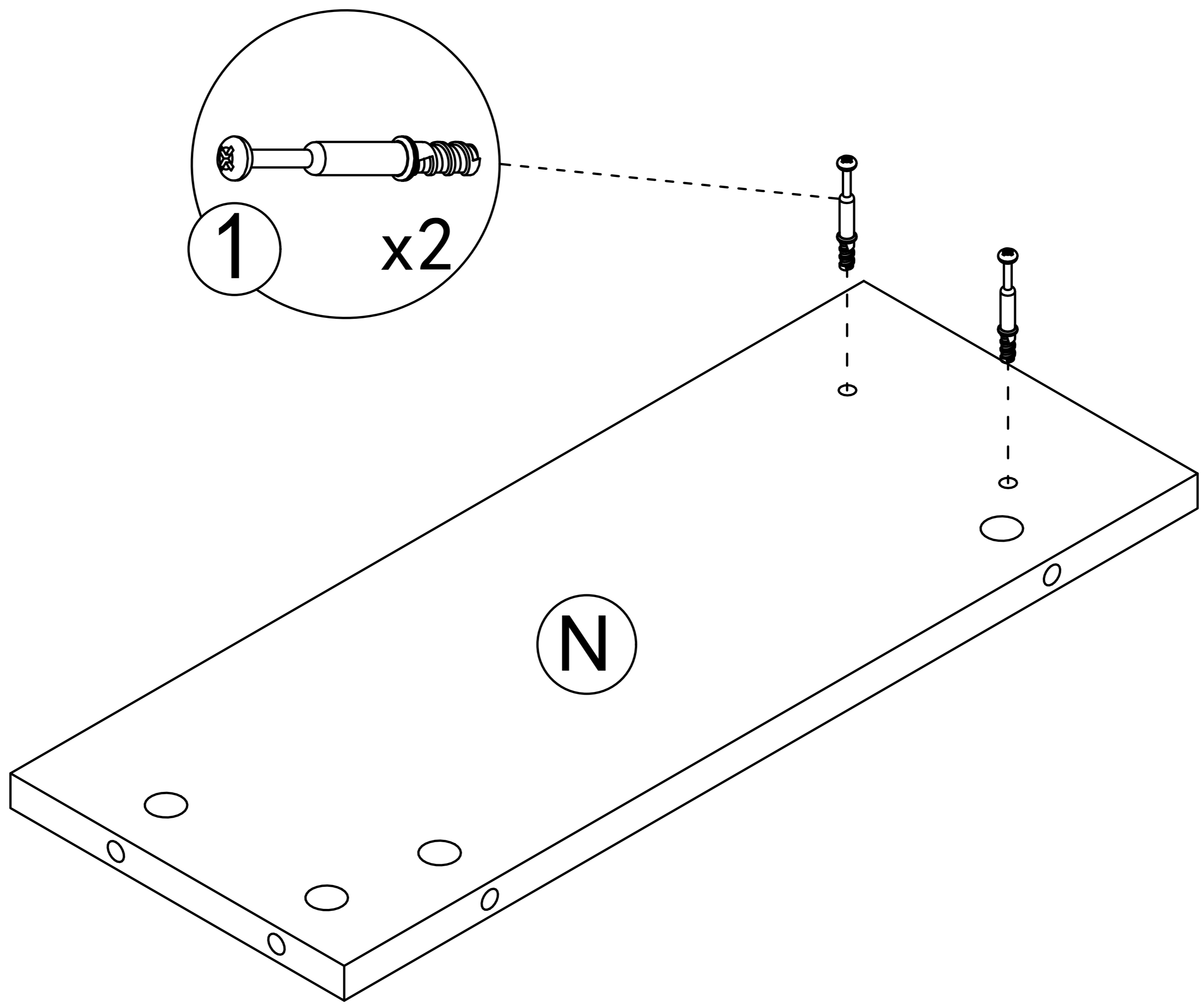
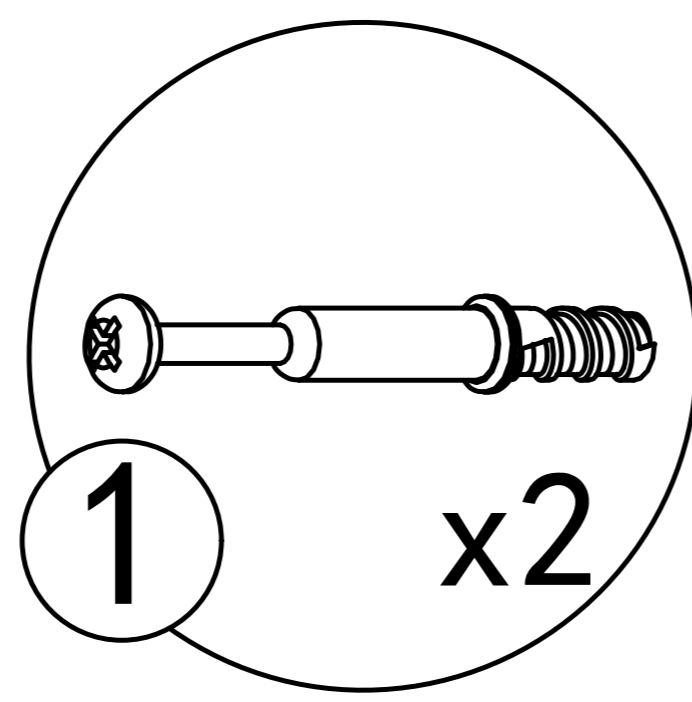
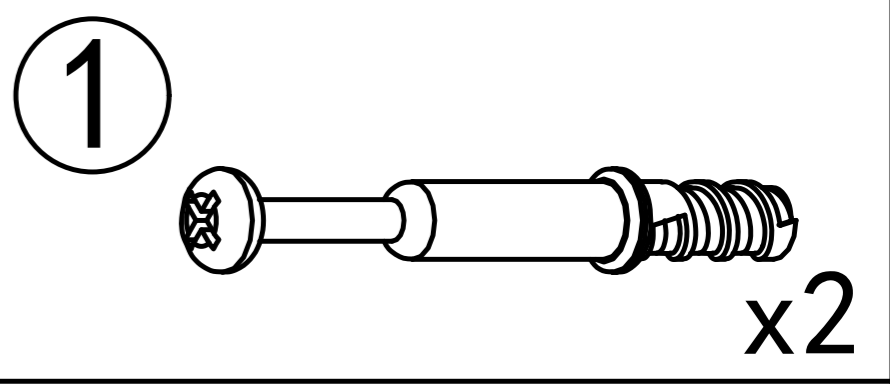
⑦  x8



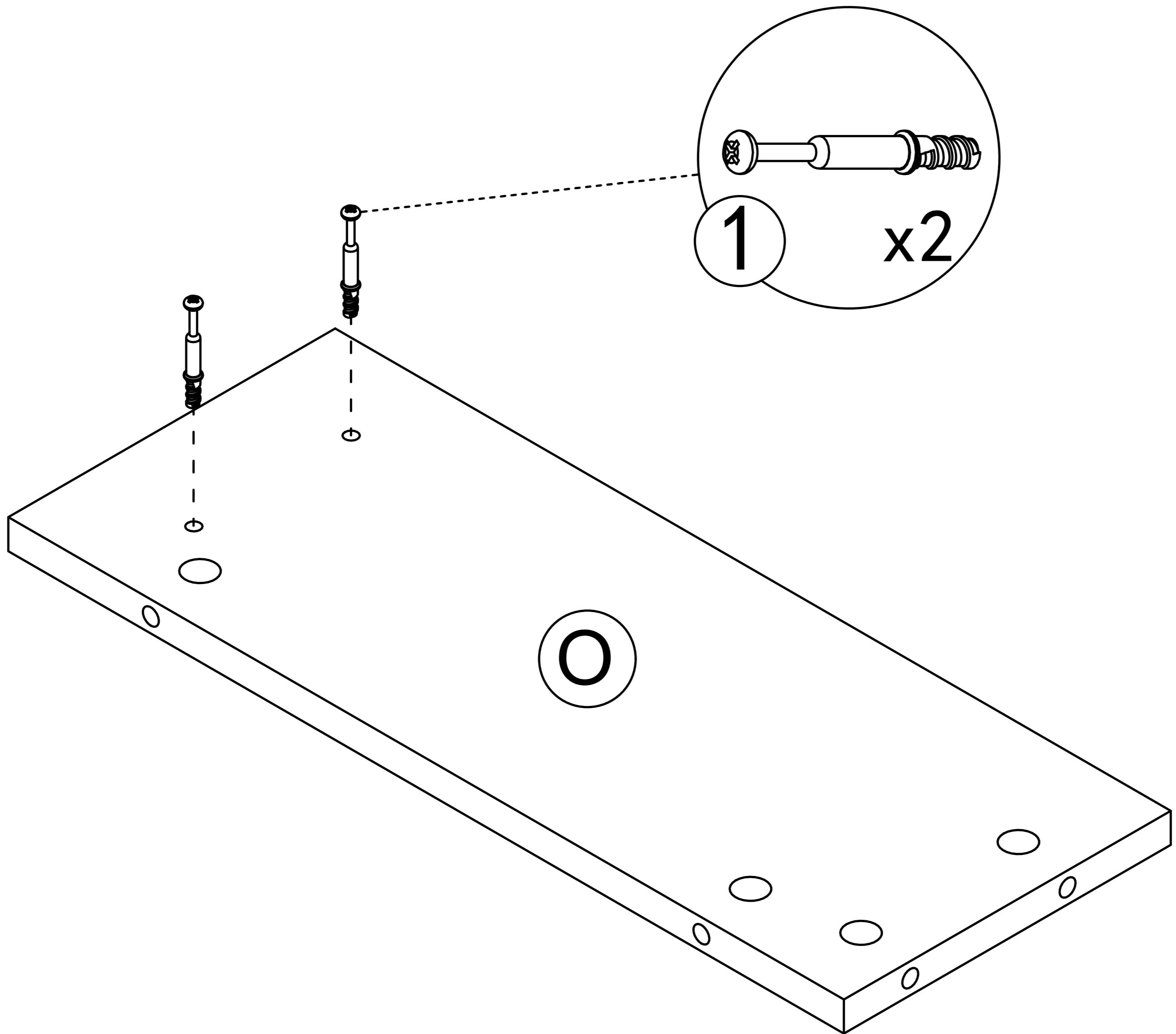
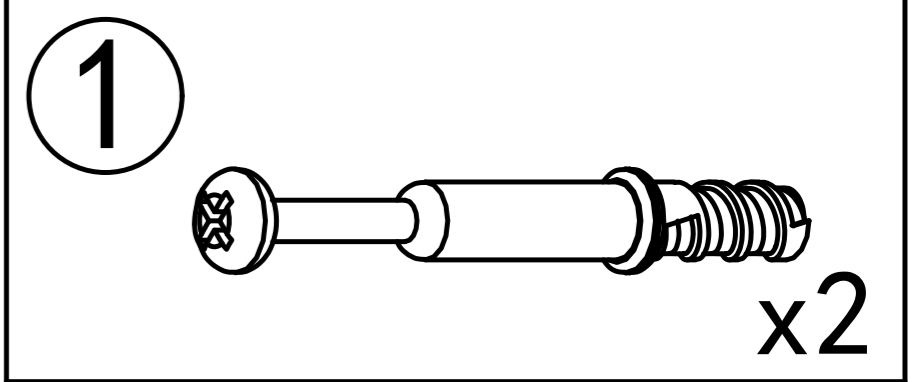
Step 26



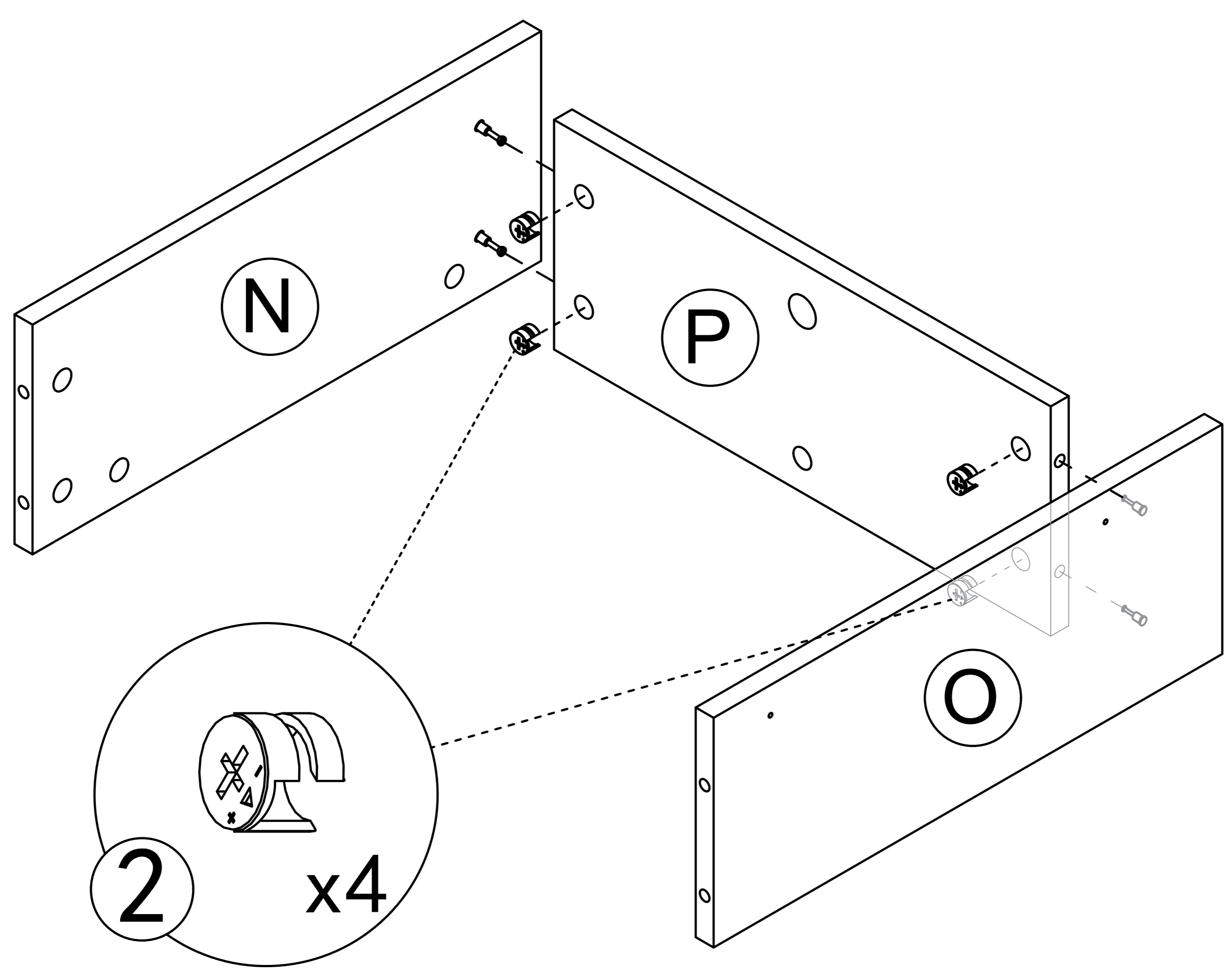
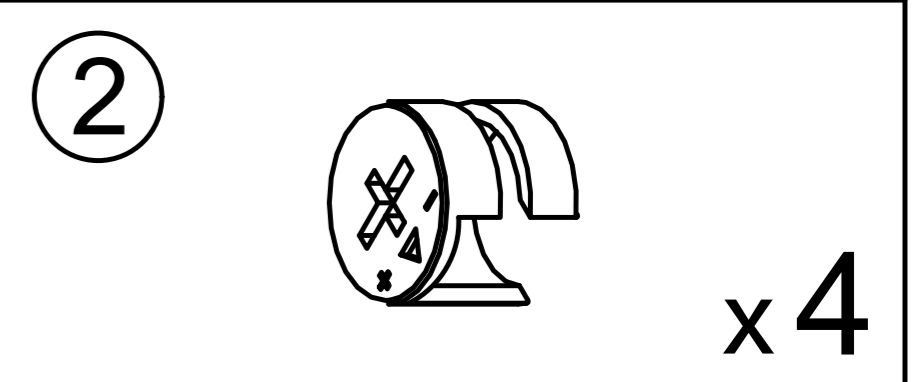
Step 27



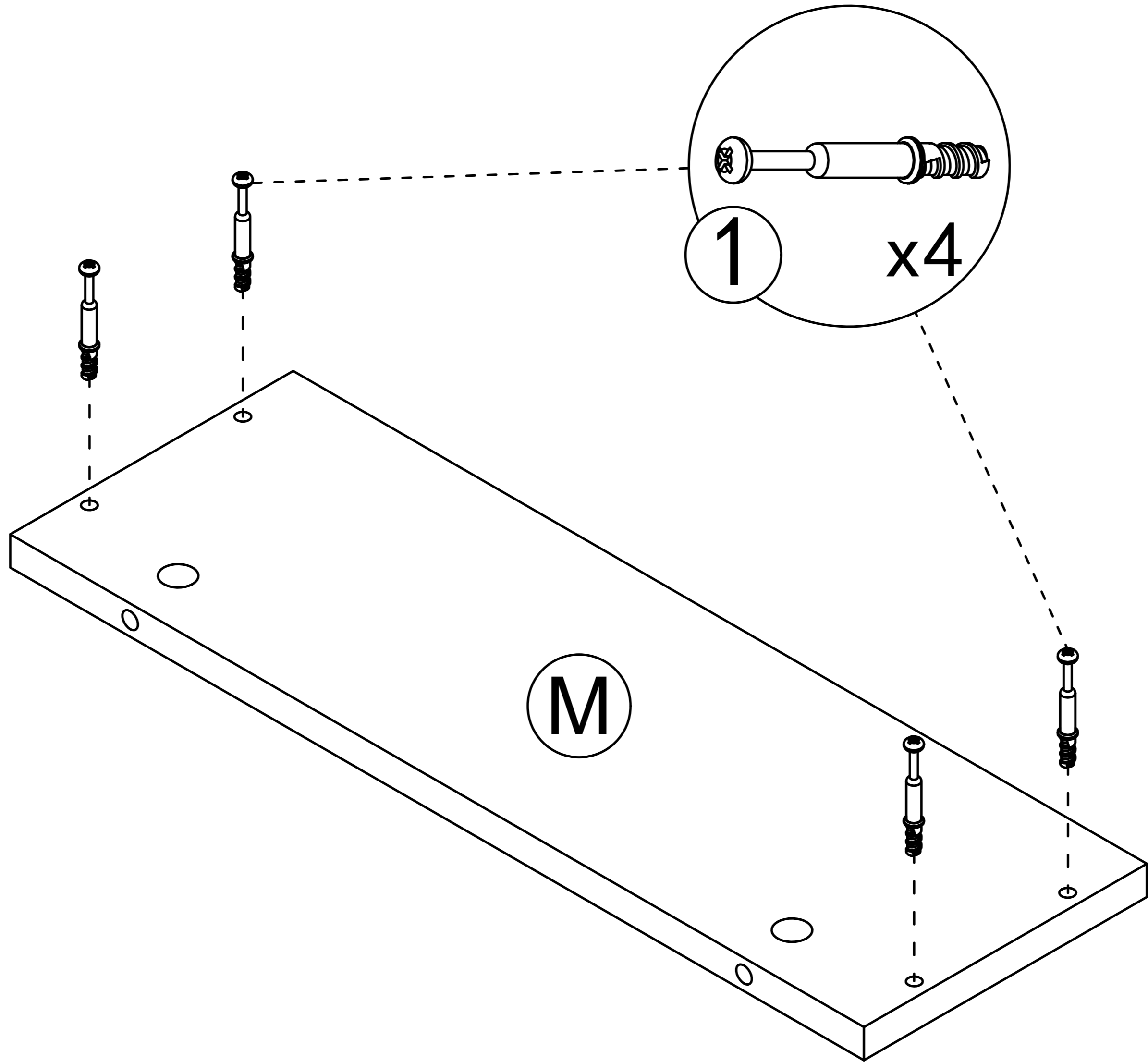
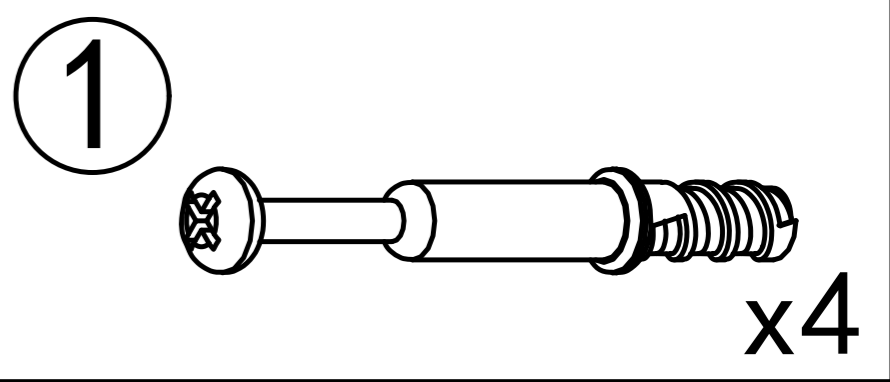
Step 28



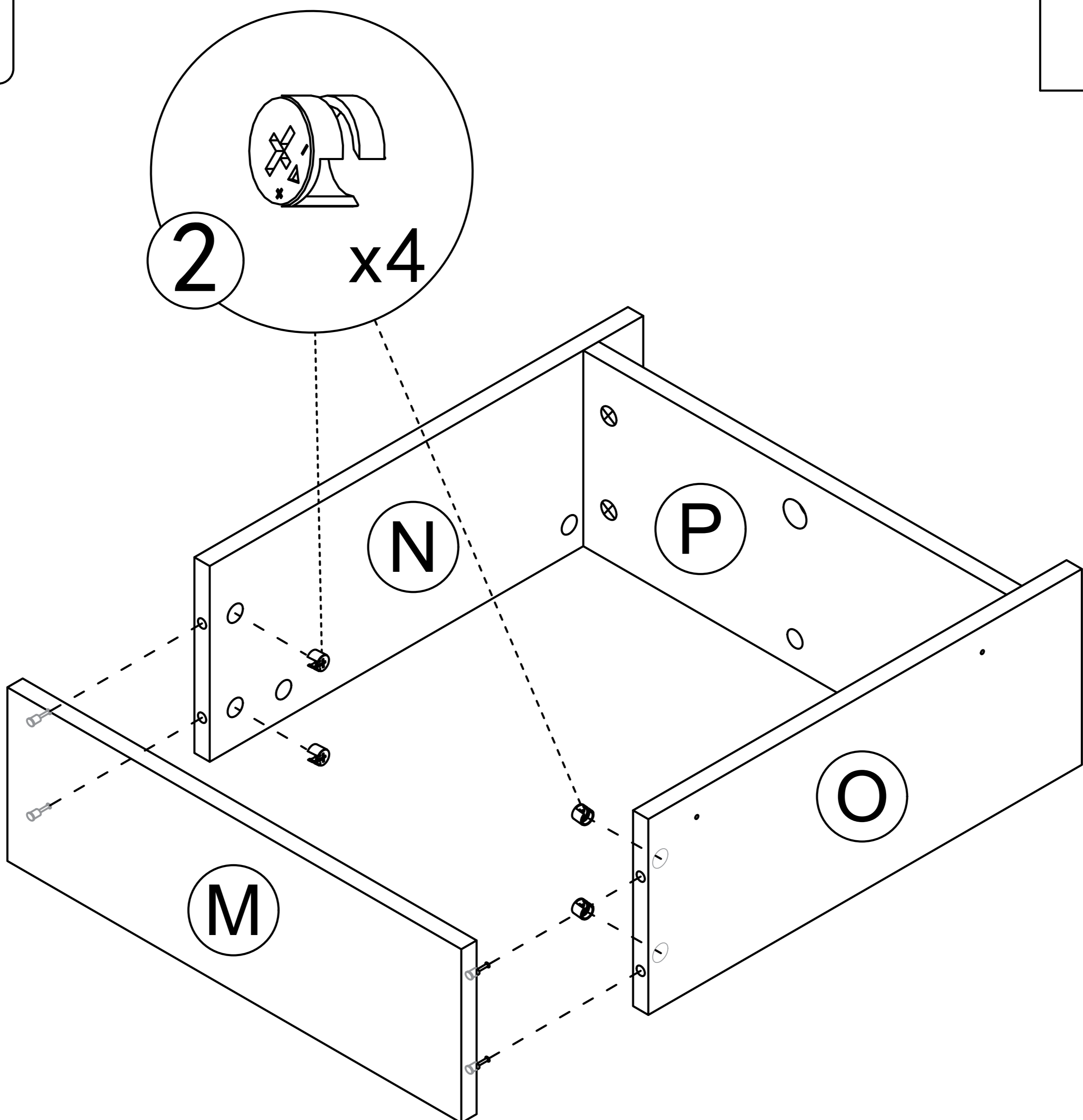
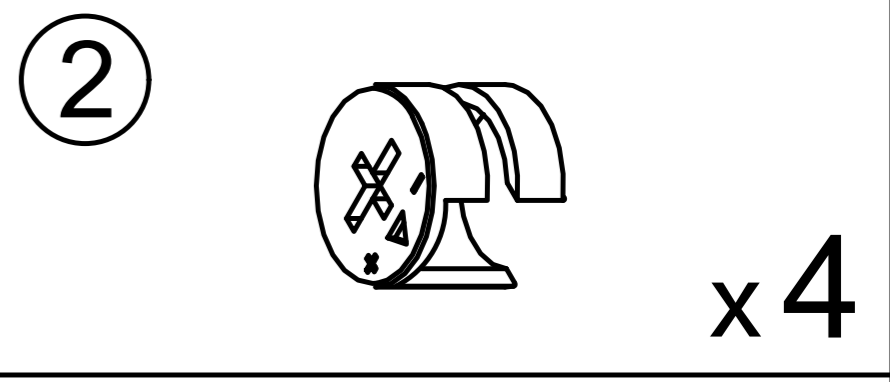
Step 29



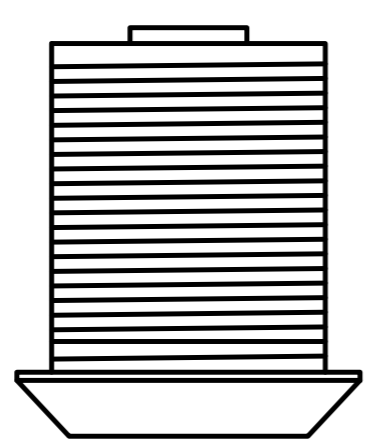
Step 30



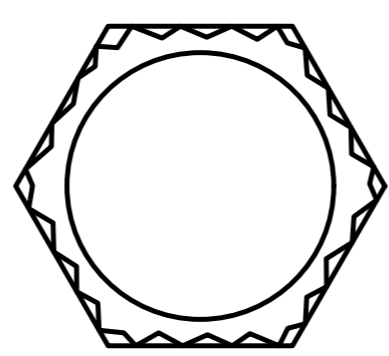
Step 31



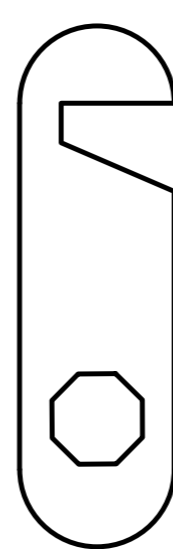
The decomposition of the lock



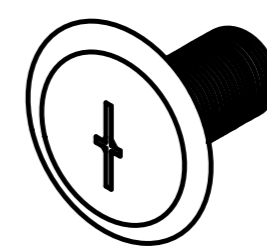
①



②



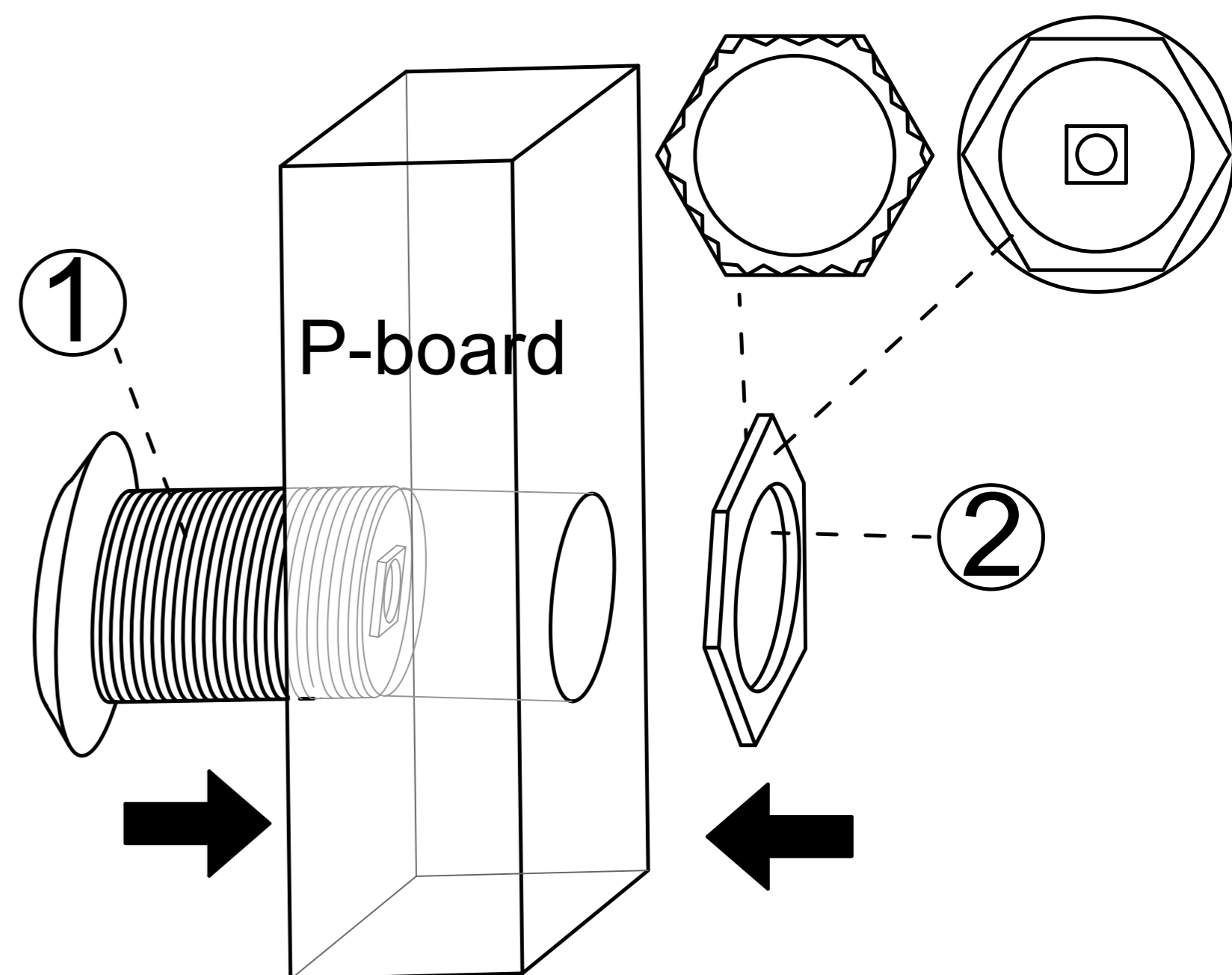
③



④

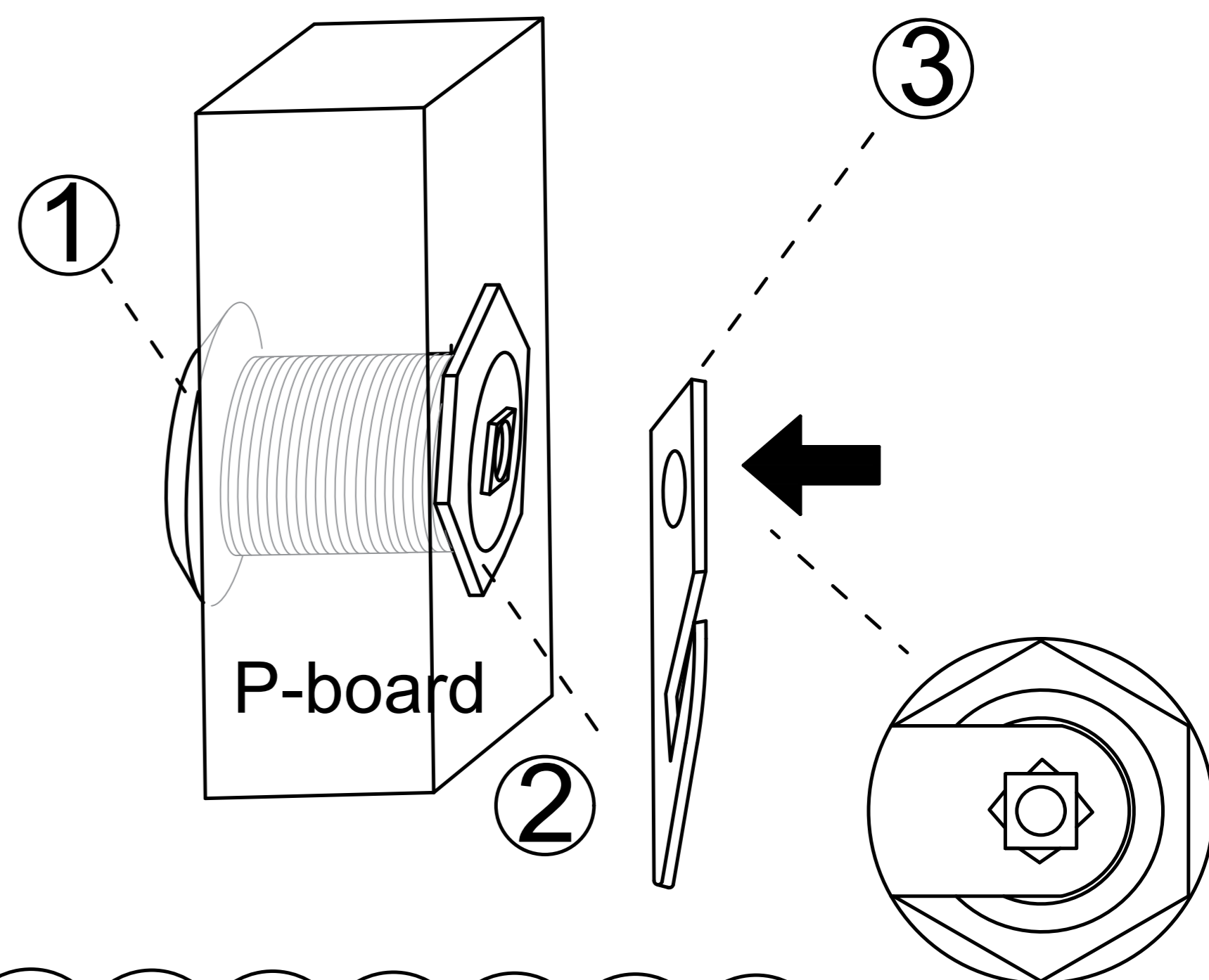
Step 1

1. Facing the direction of the keyhole position with the teeth, clamp the wooden board tightly
2. Insert part 1 into the hole of the P plate first, and then lock the hex nut

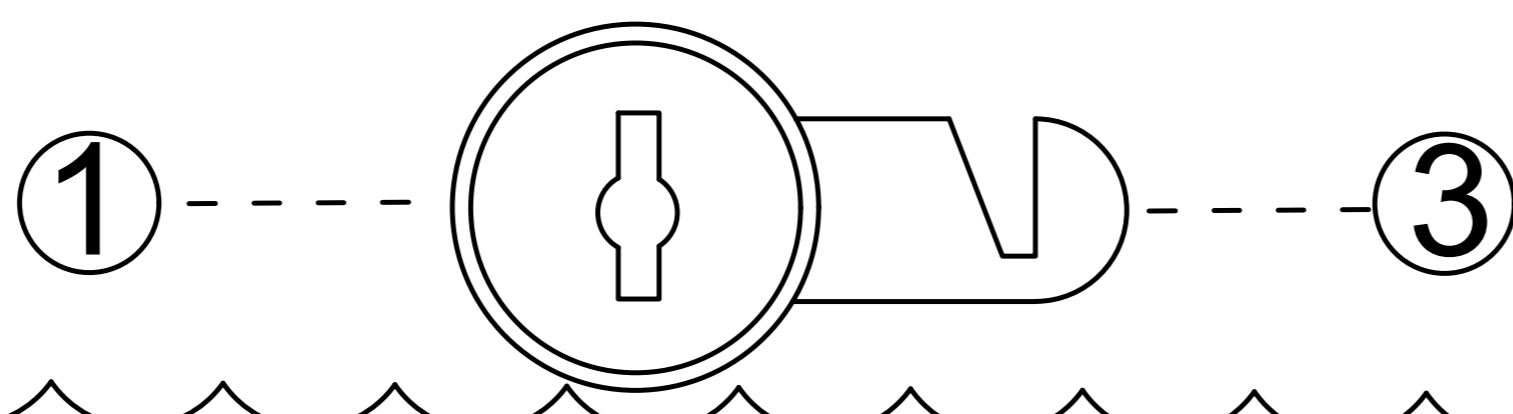


Step 2

1. Clip part 3 into the tail of part 1

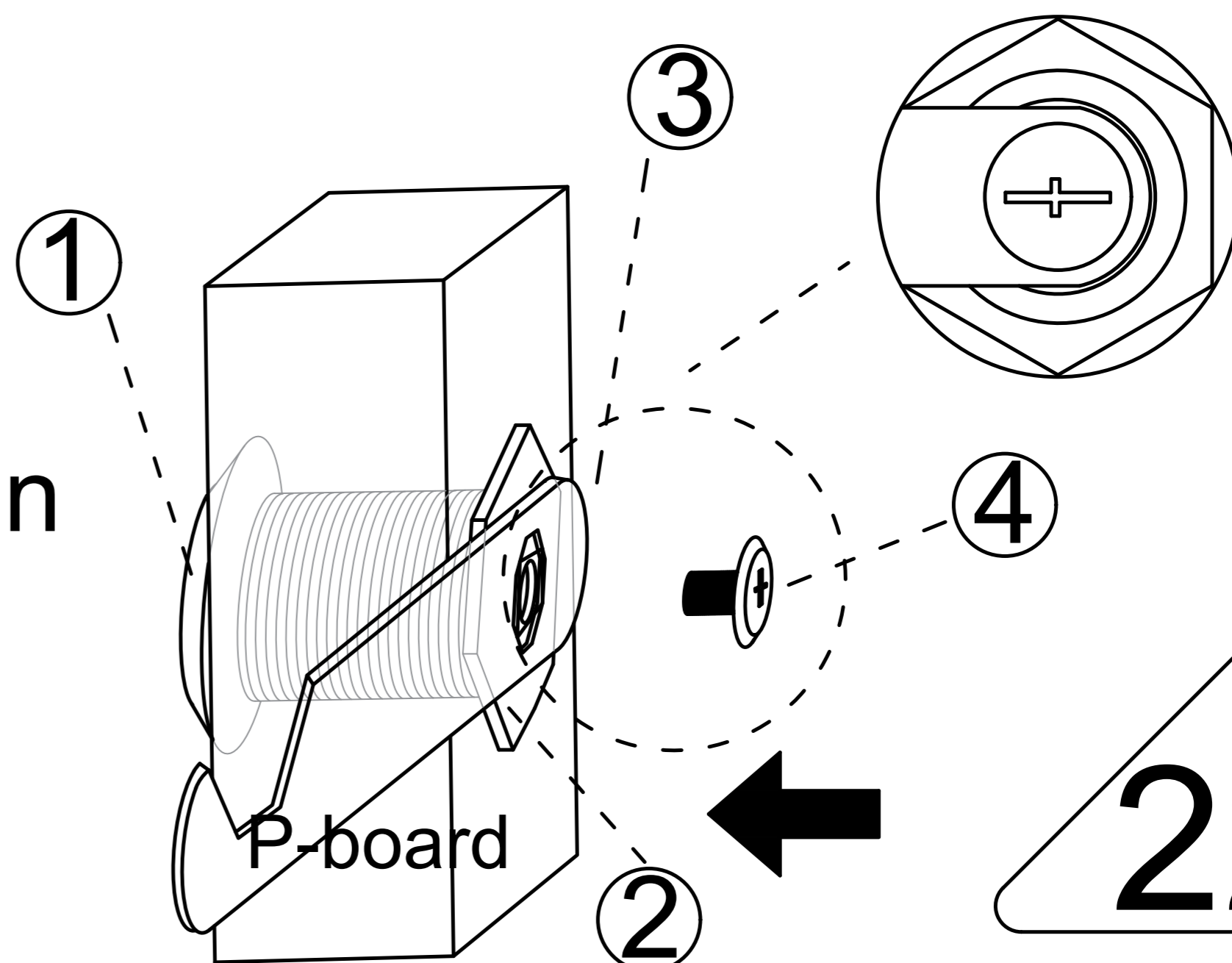


The installation is completed as shown in the figure

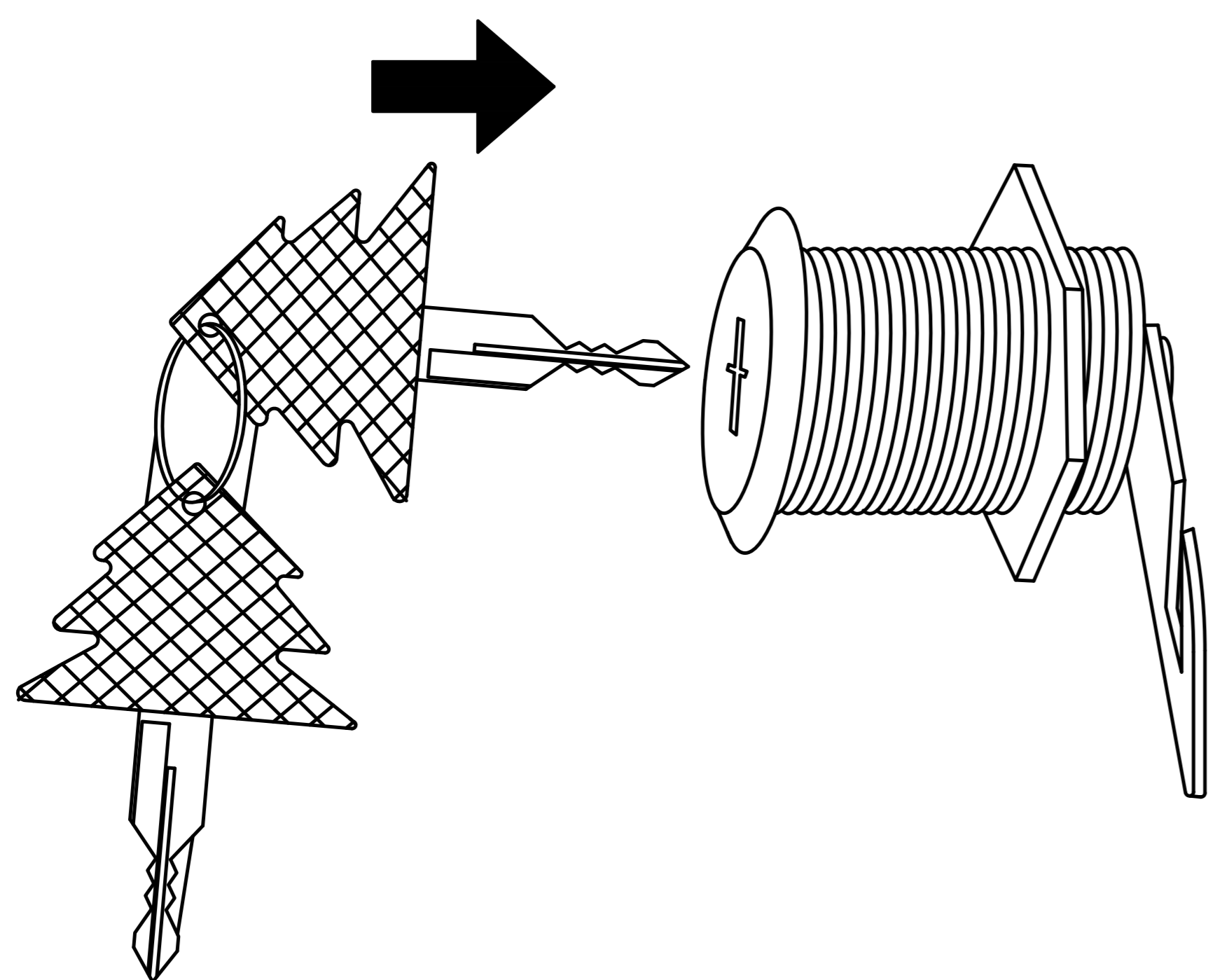


Step 3

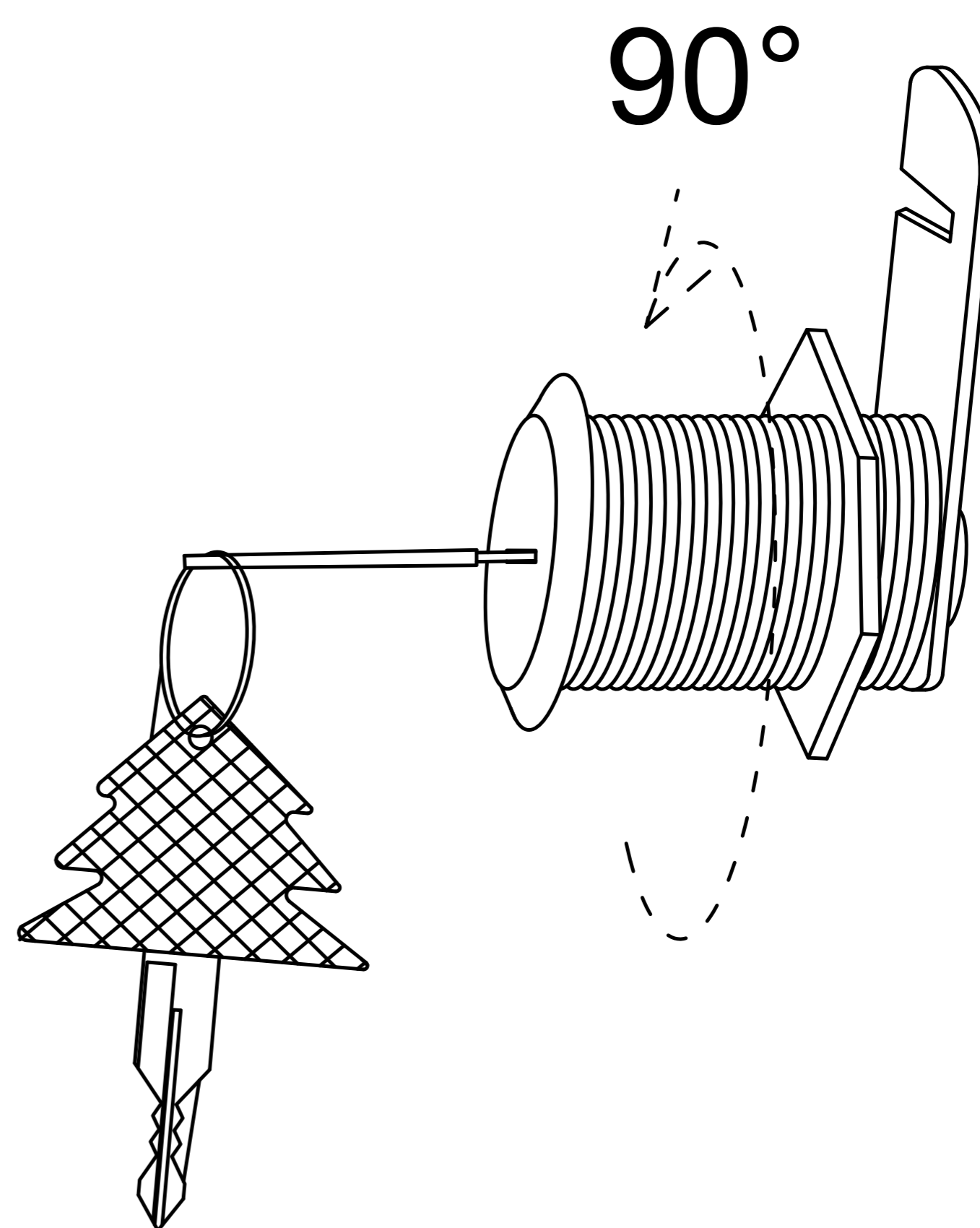
1. Twist screw 4 into the hole position at the tail of 1



Unlock steps



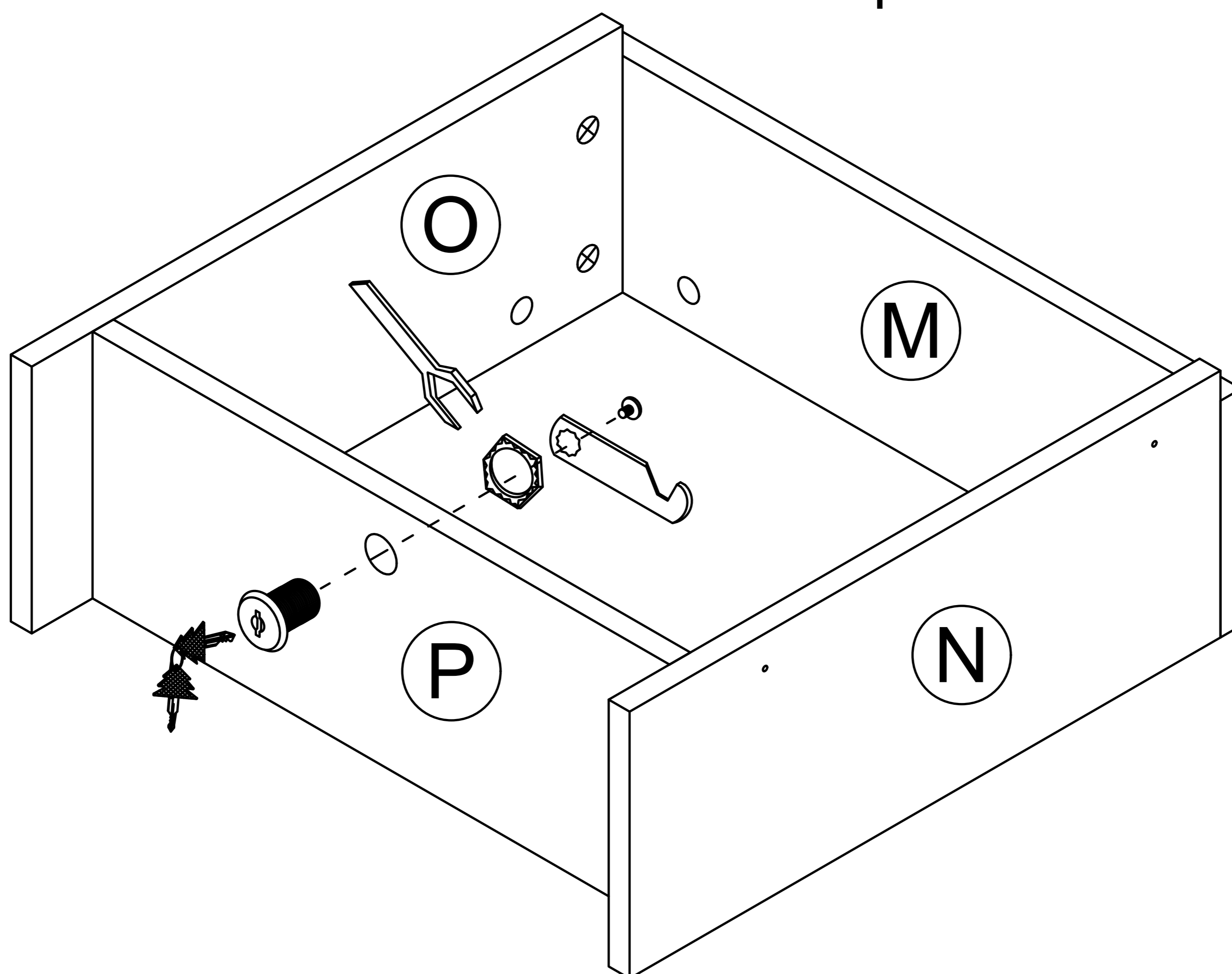
Unlock

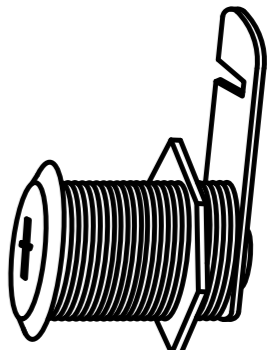
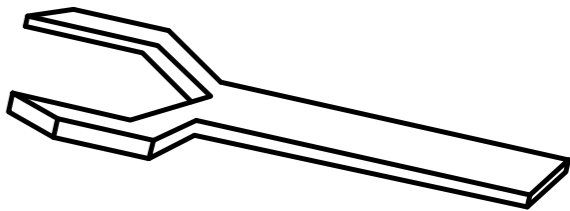



lock

Step 32

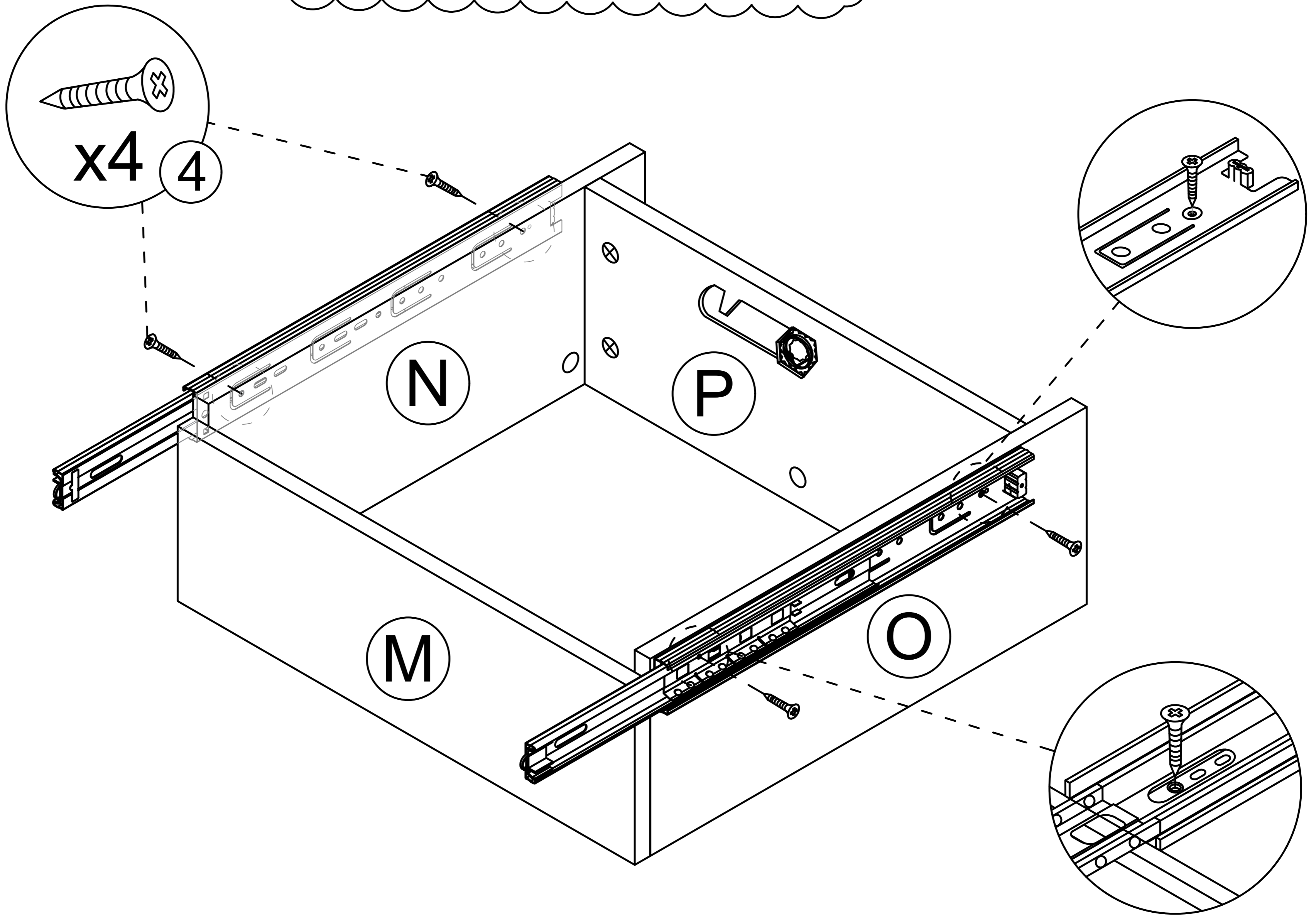
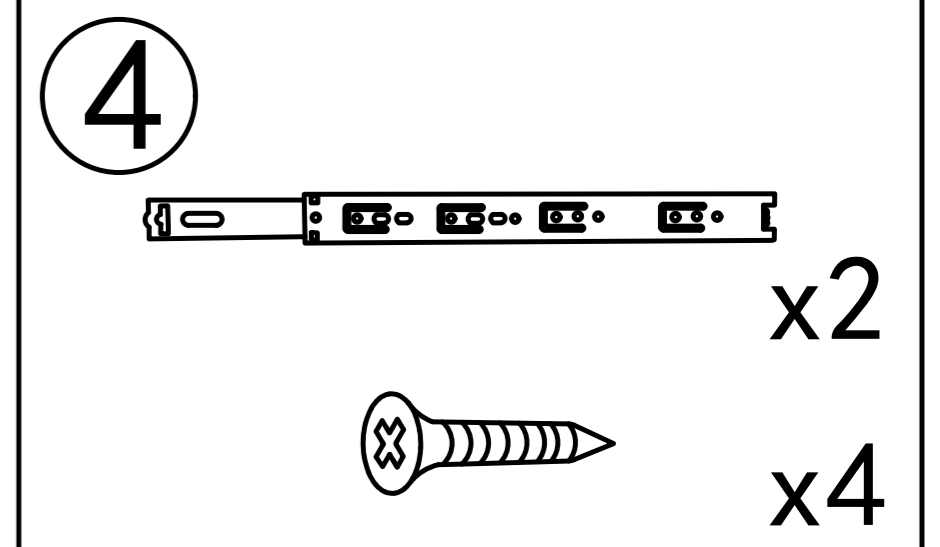
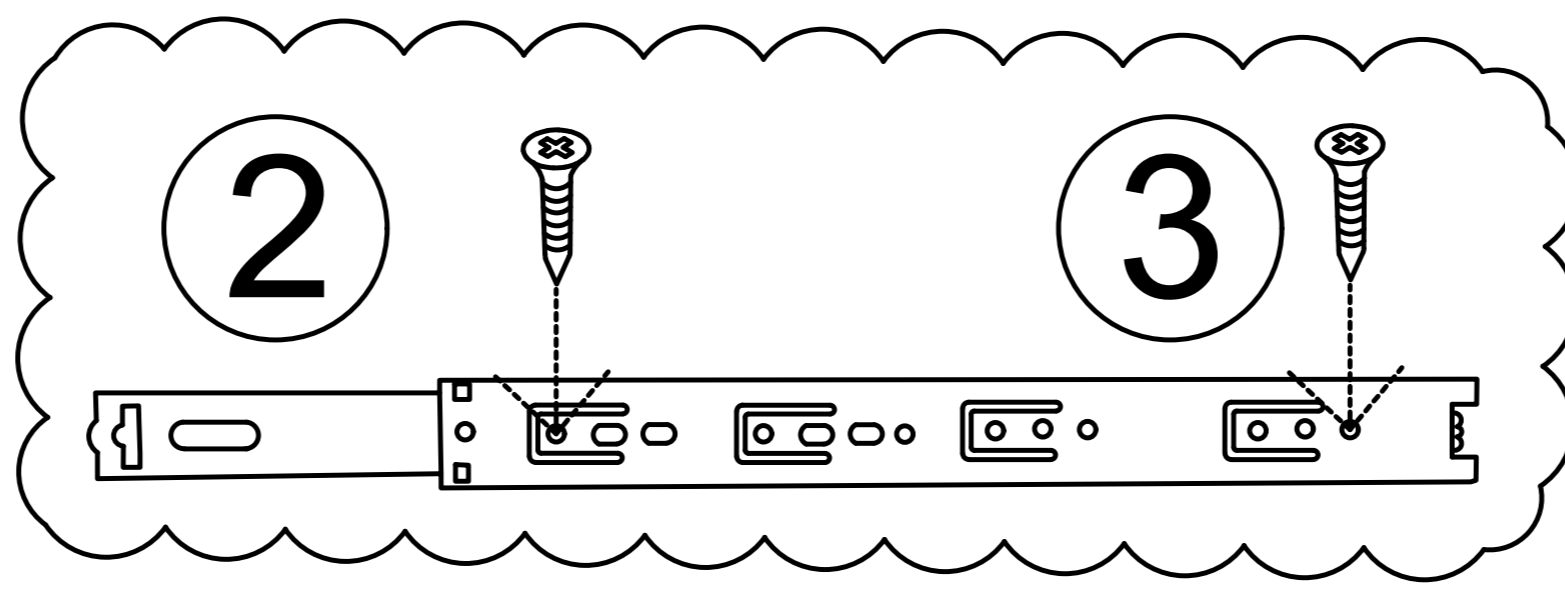
Pay attention to the direction of the hole position



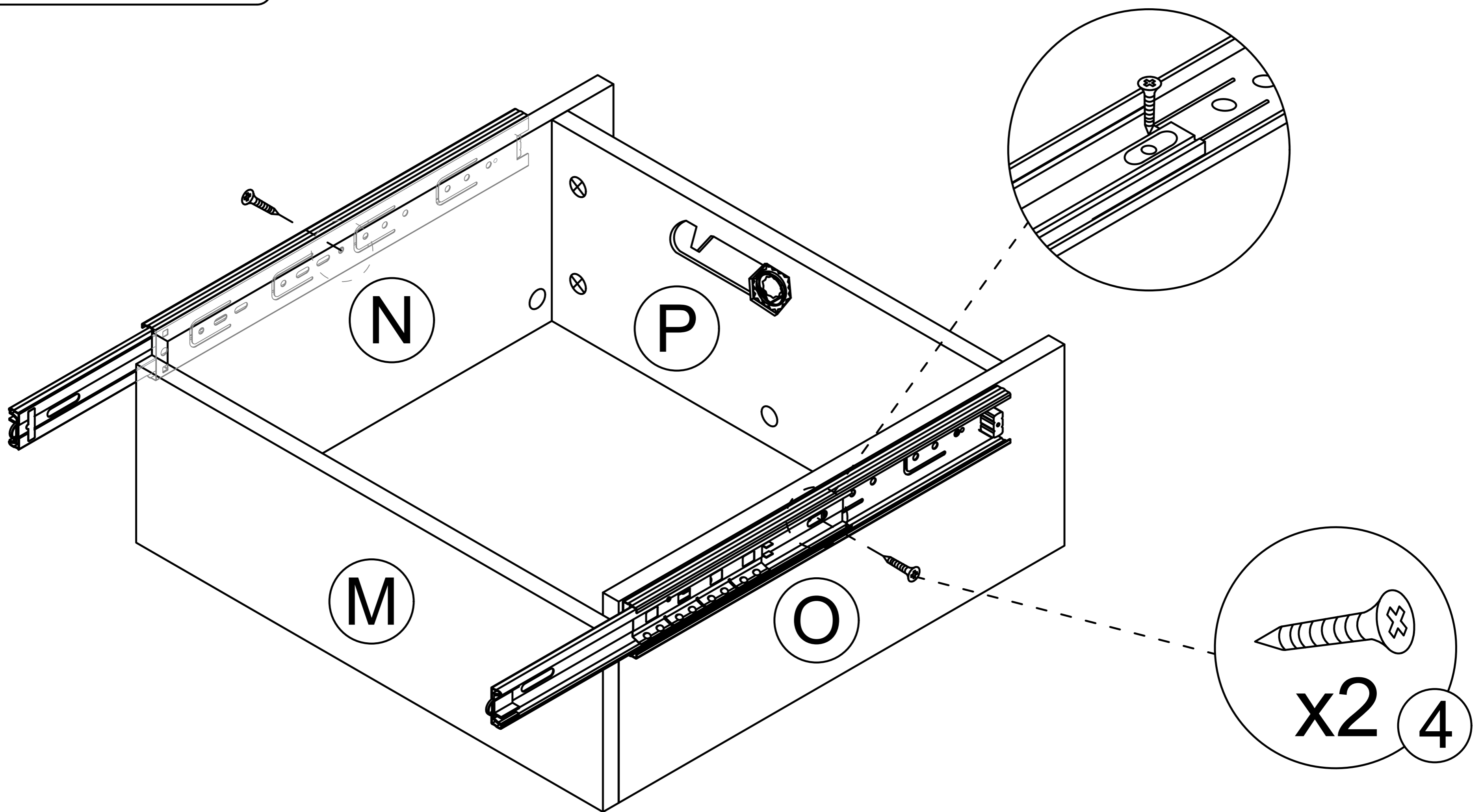
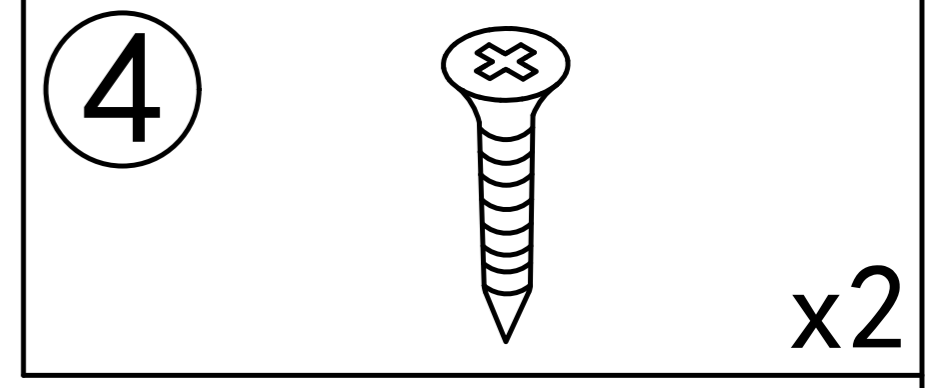
6		x1
		x1
		x1

Lock the hex nut with a wrench

Step 33

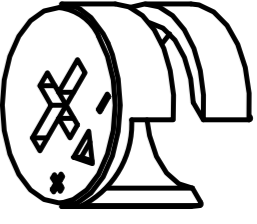


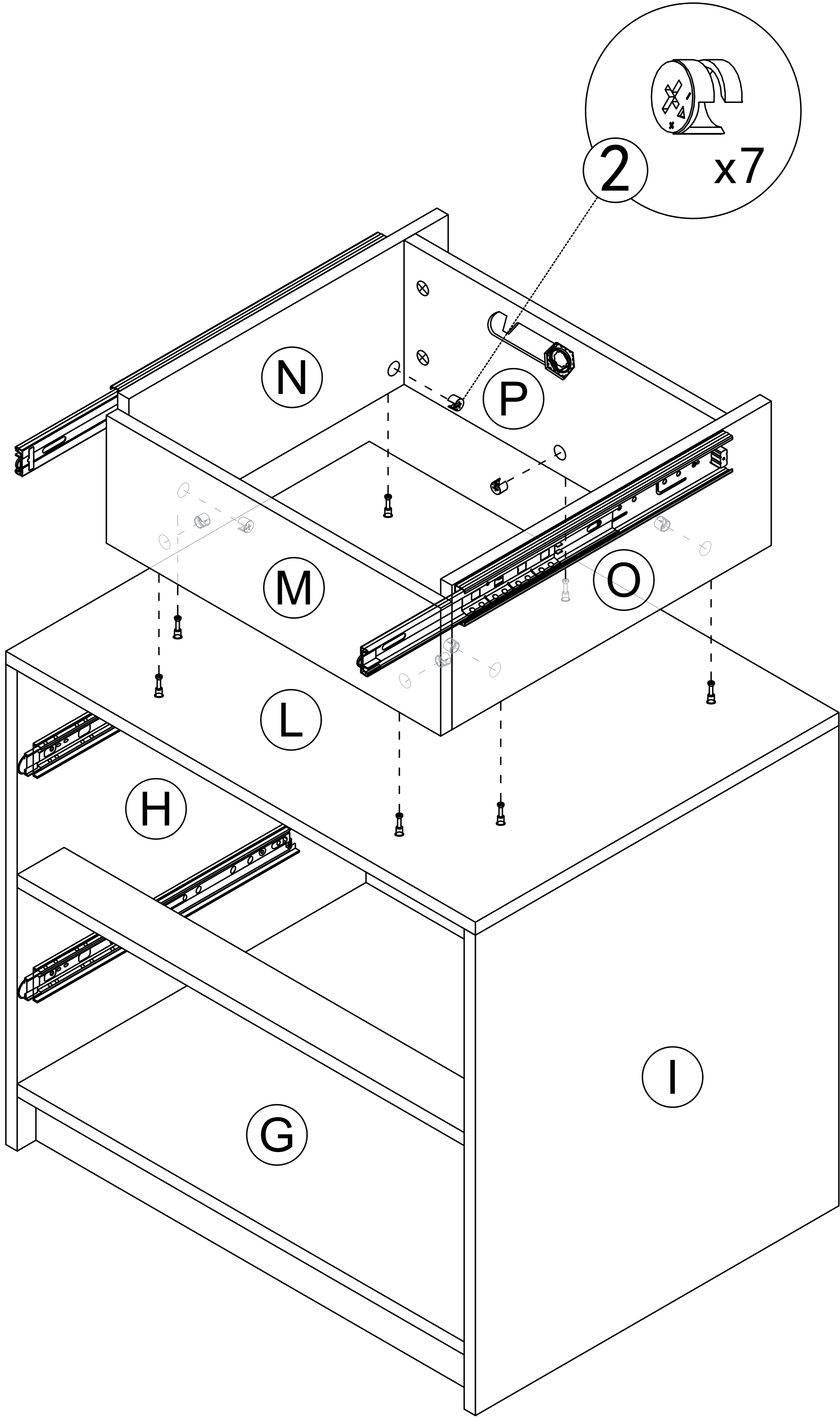
Step 34



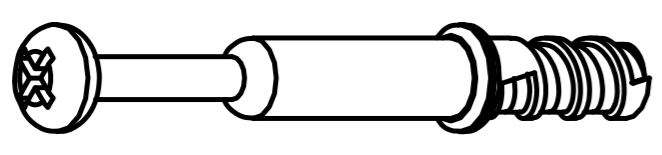
This hole is for strengthening fixed hole customers can choose to install according to their needs.

Step 35

②  x7

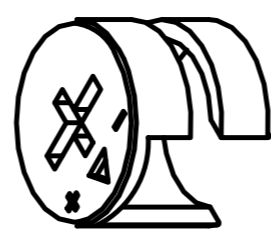


1



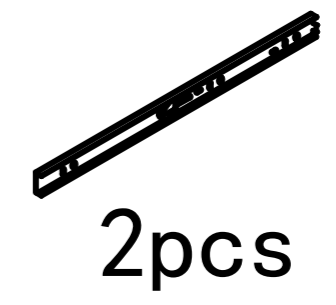
17pcs

2



17pcs

4

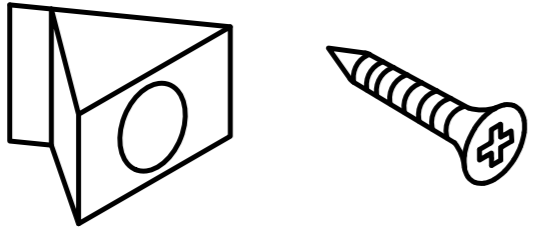


2pcs

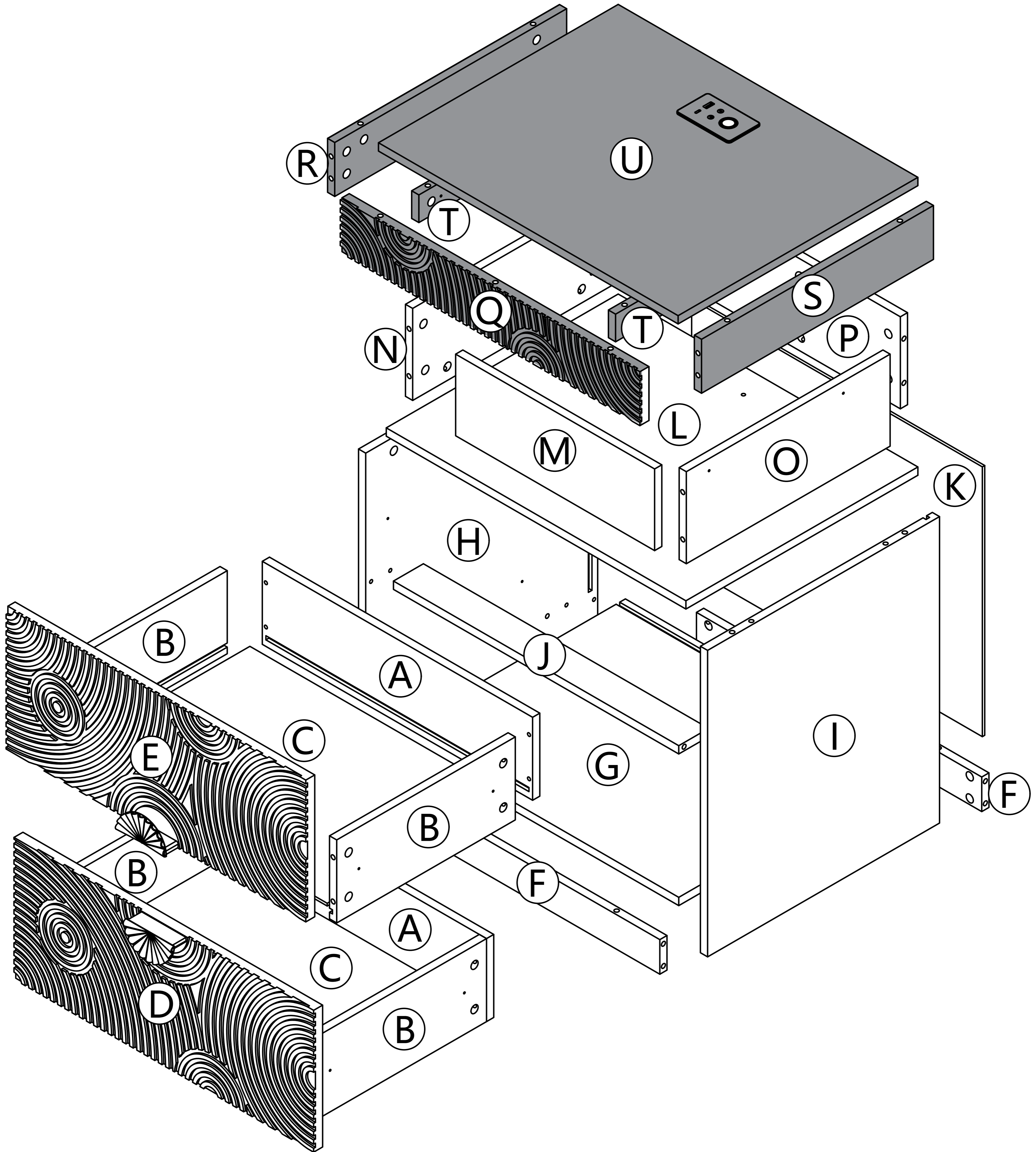


4pcs

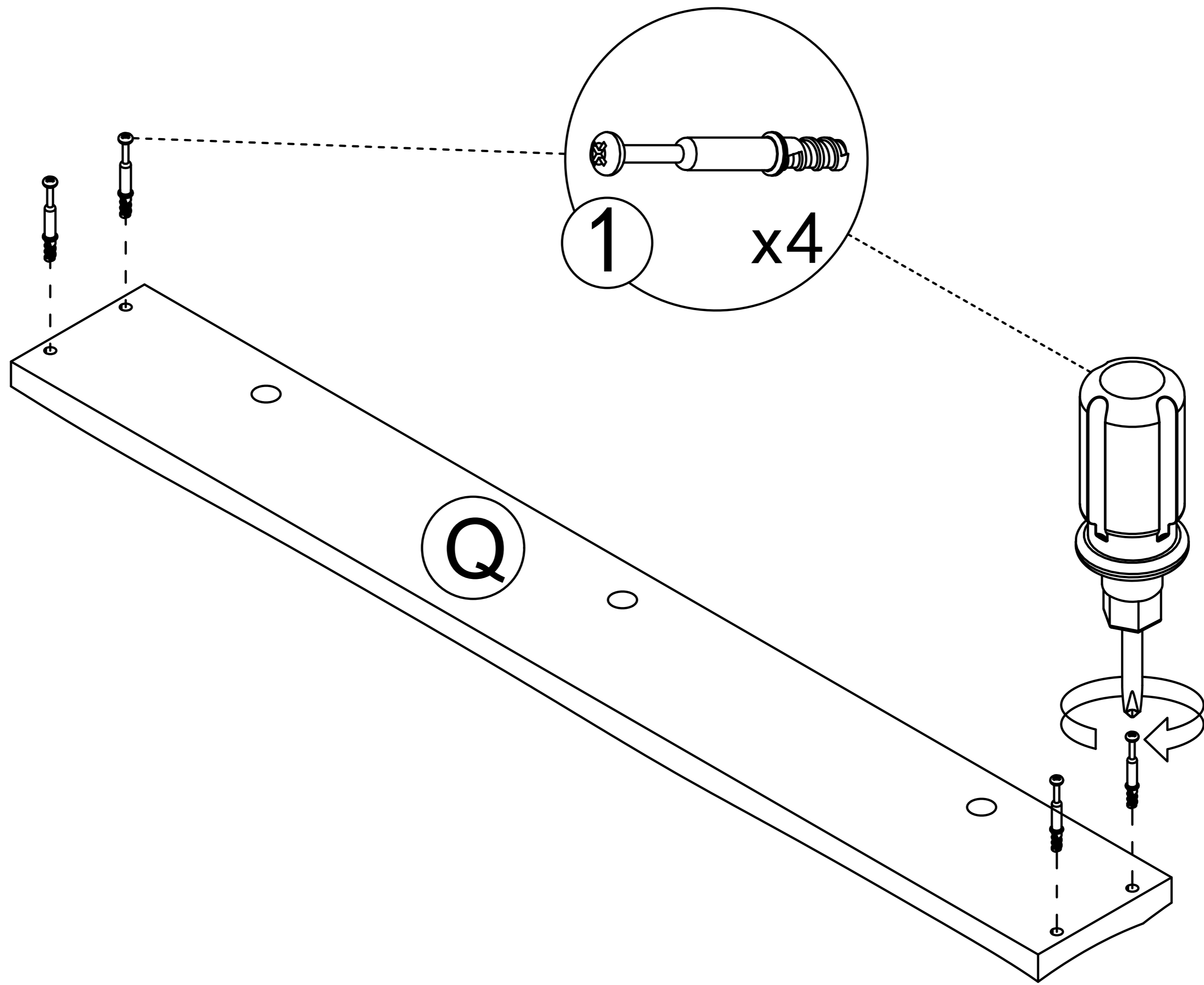
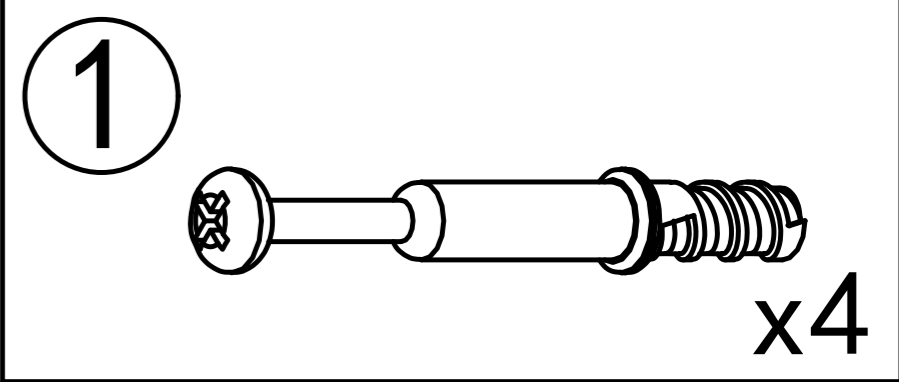
5



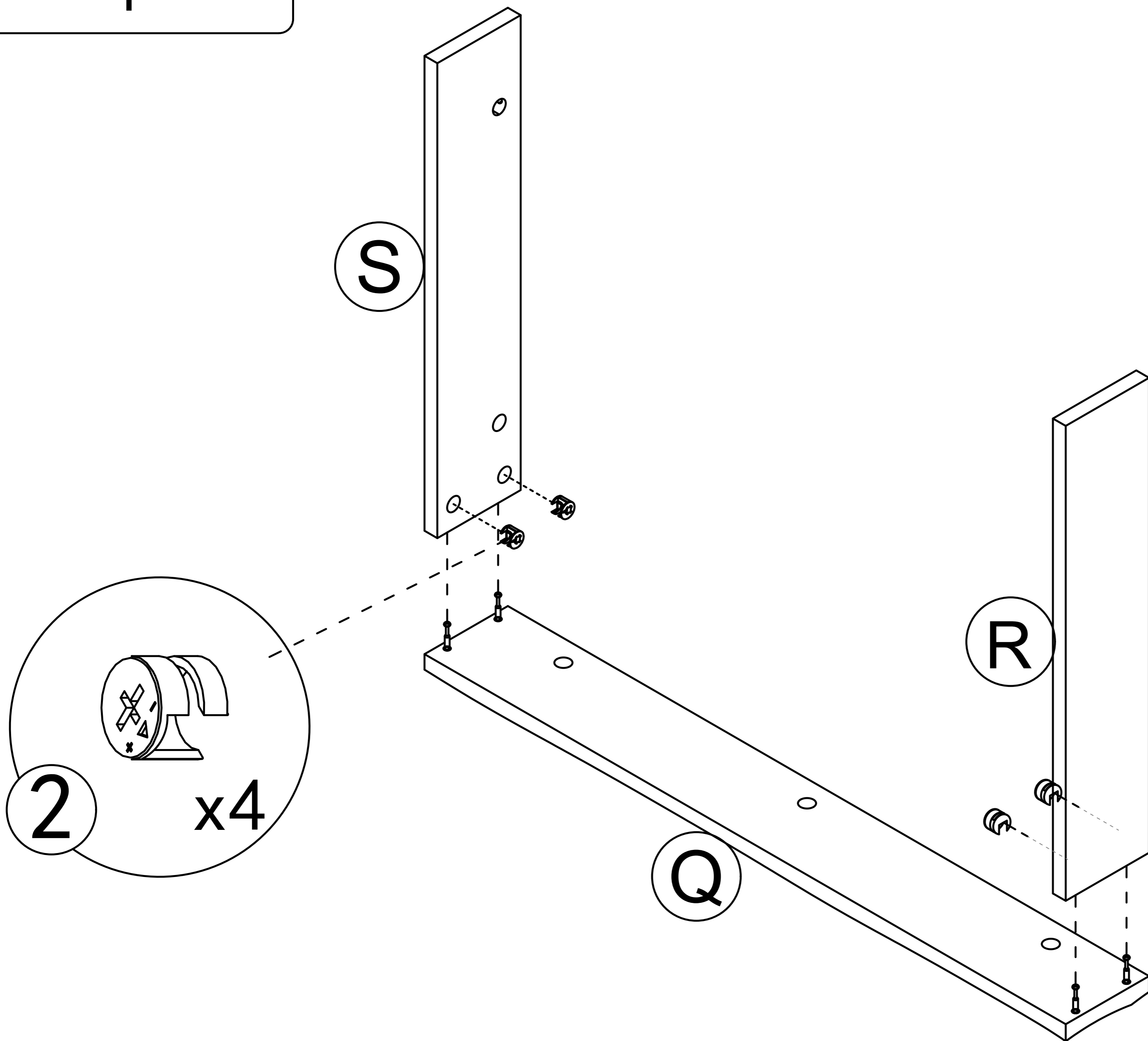
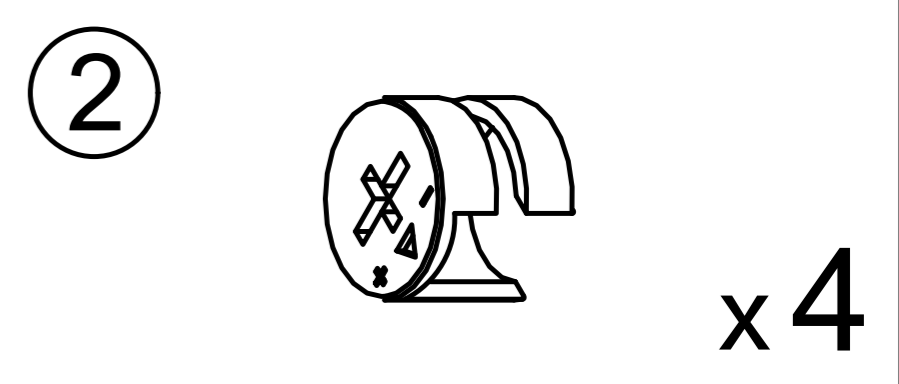
4pcs



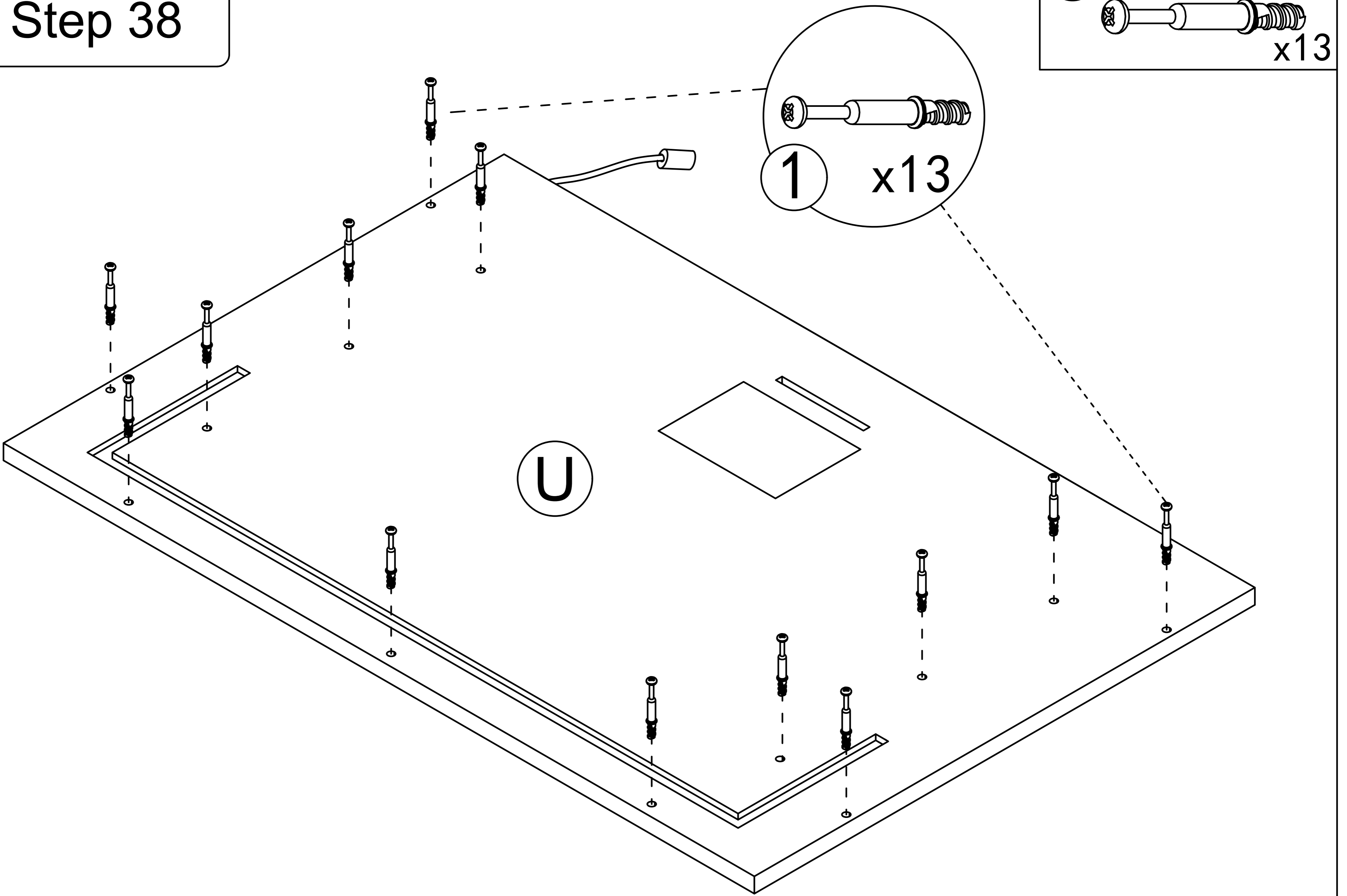
Step 36



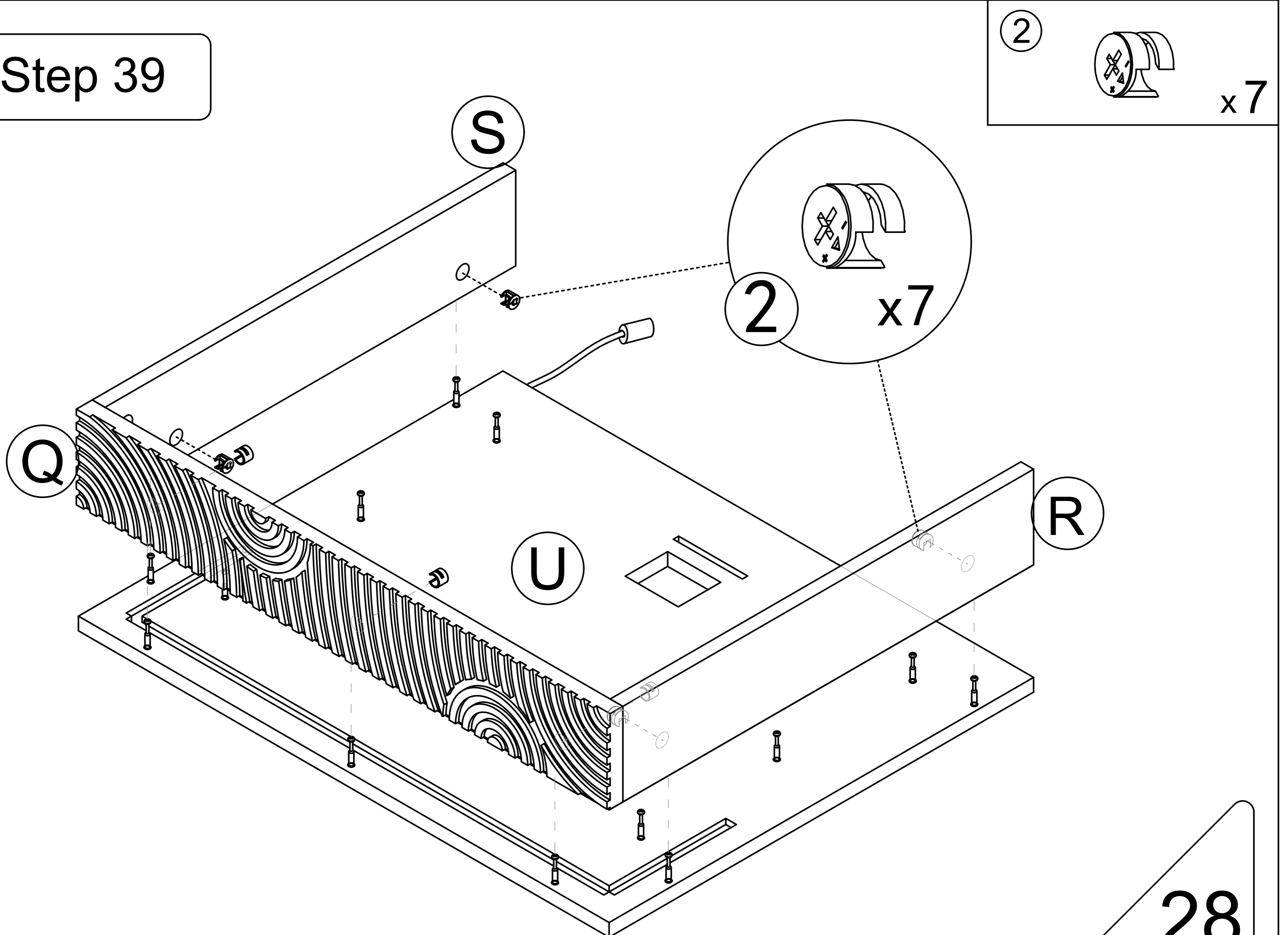
Step 37



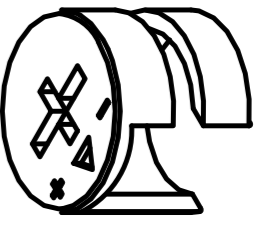
Step 38

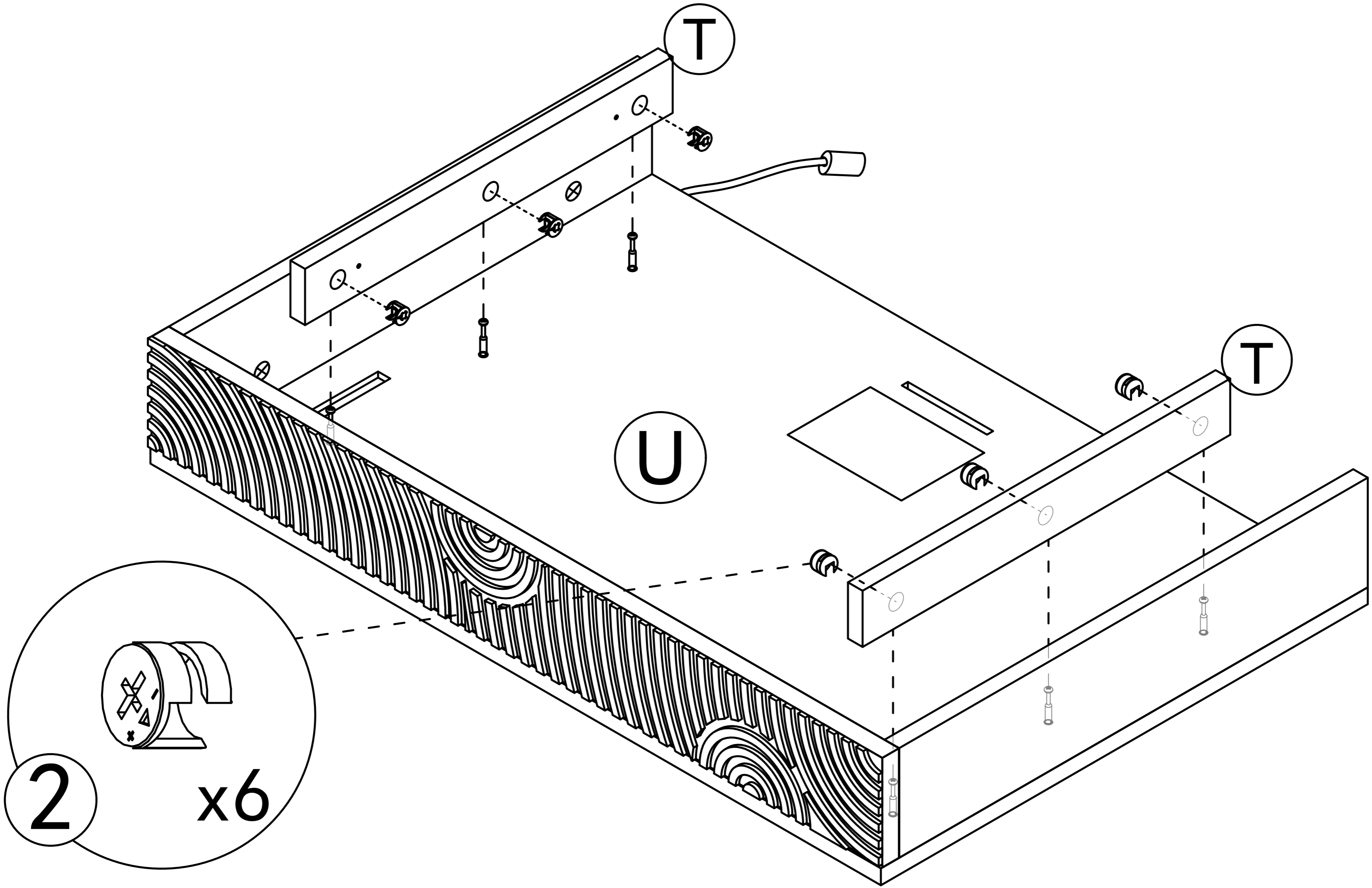


Step 39

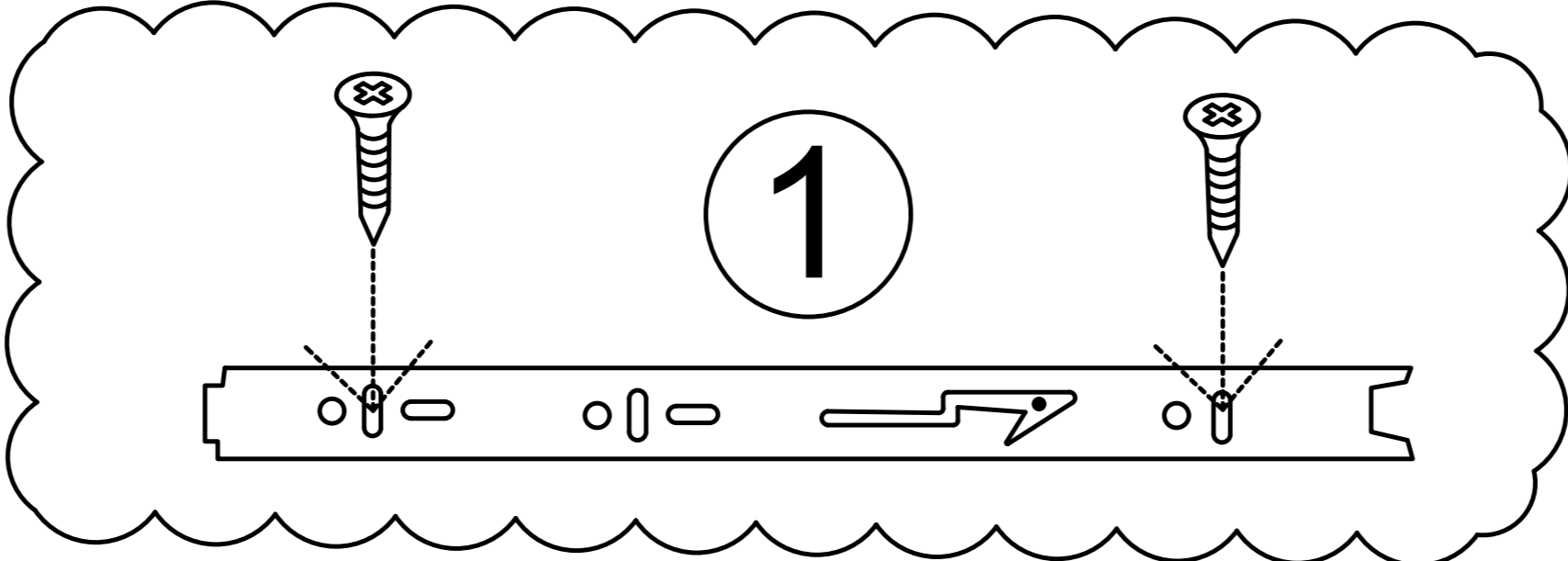



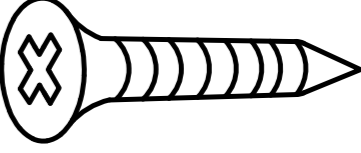
Step 40

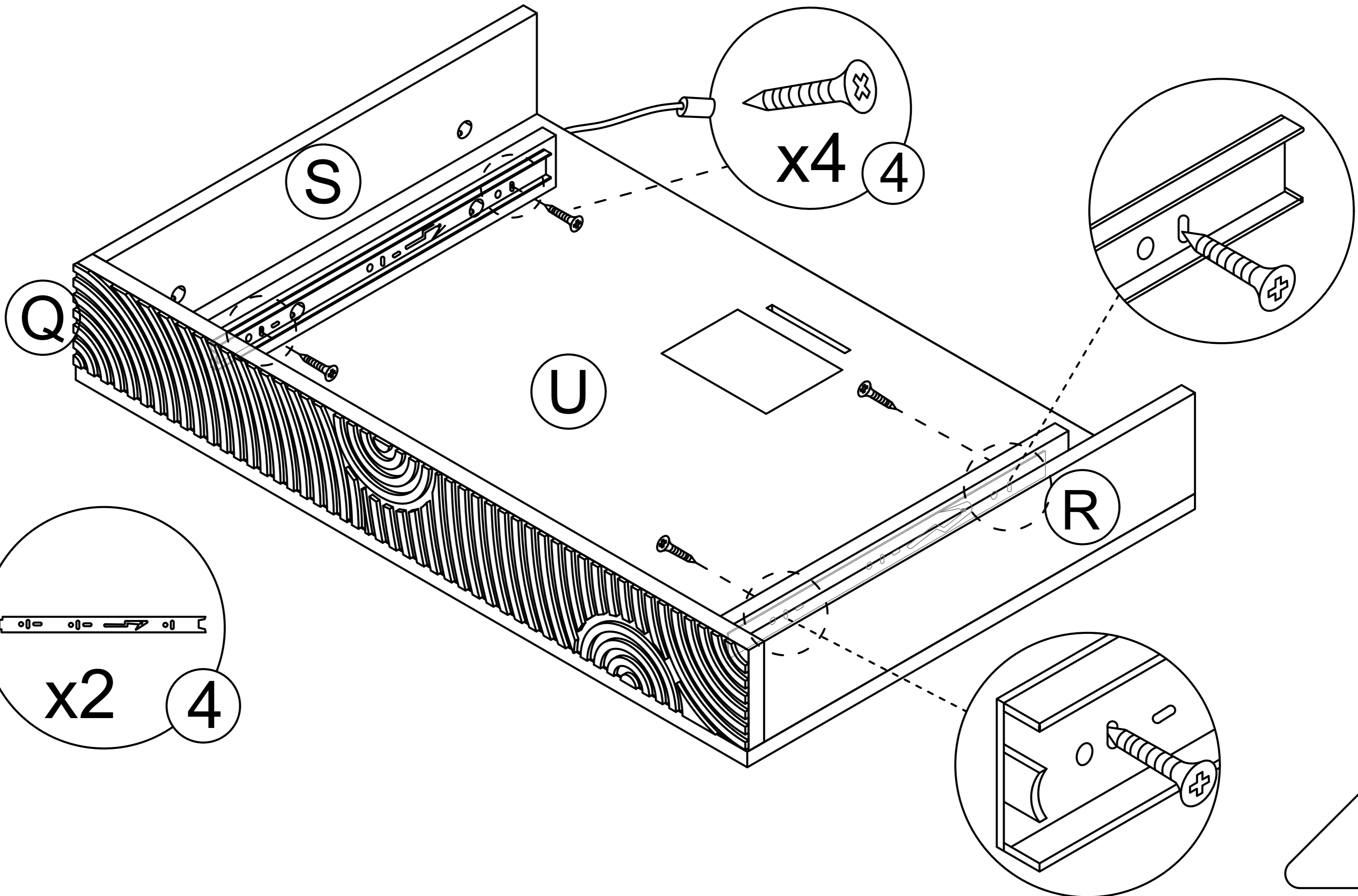
②  x6




Step 41

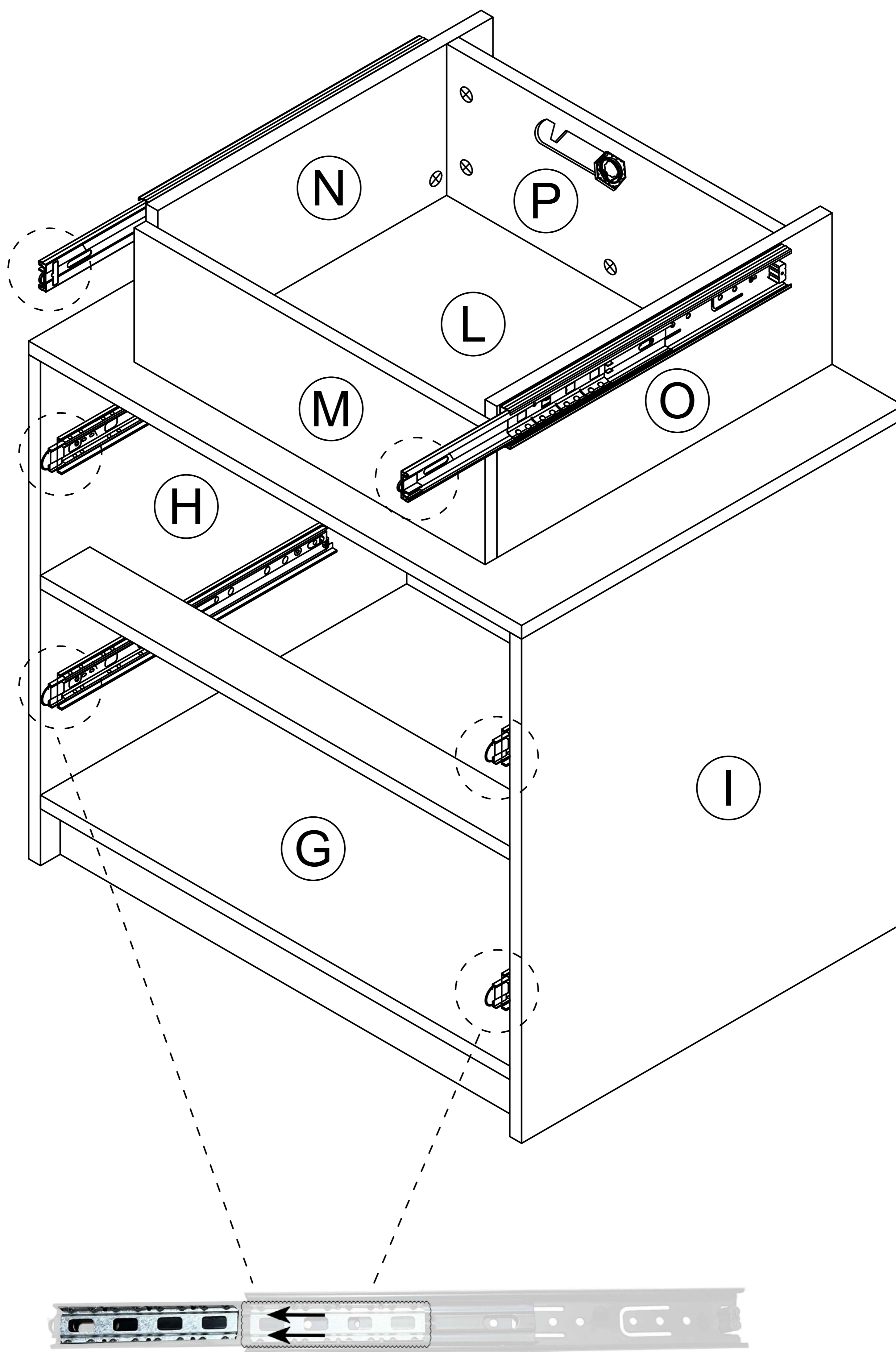


④  x2
 x4



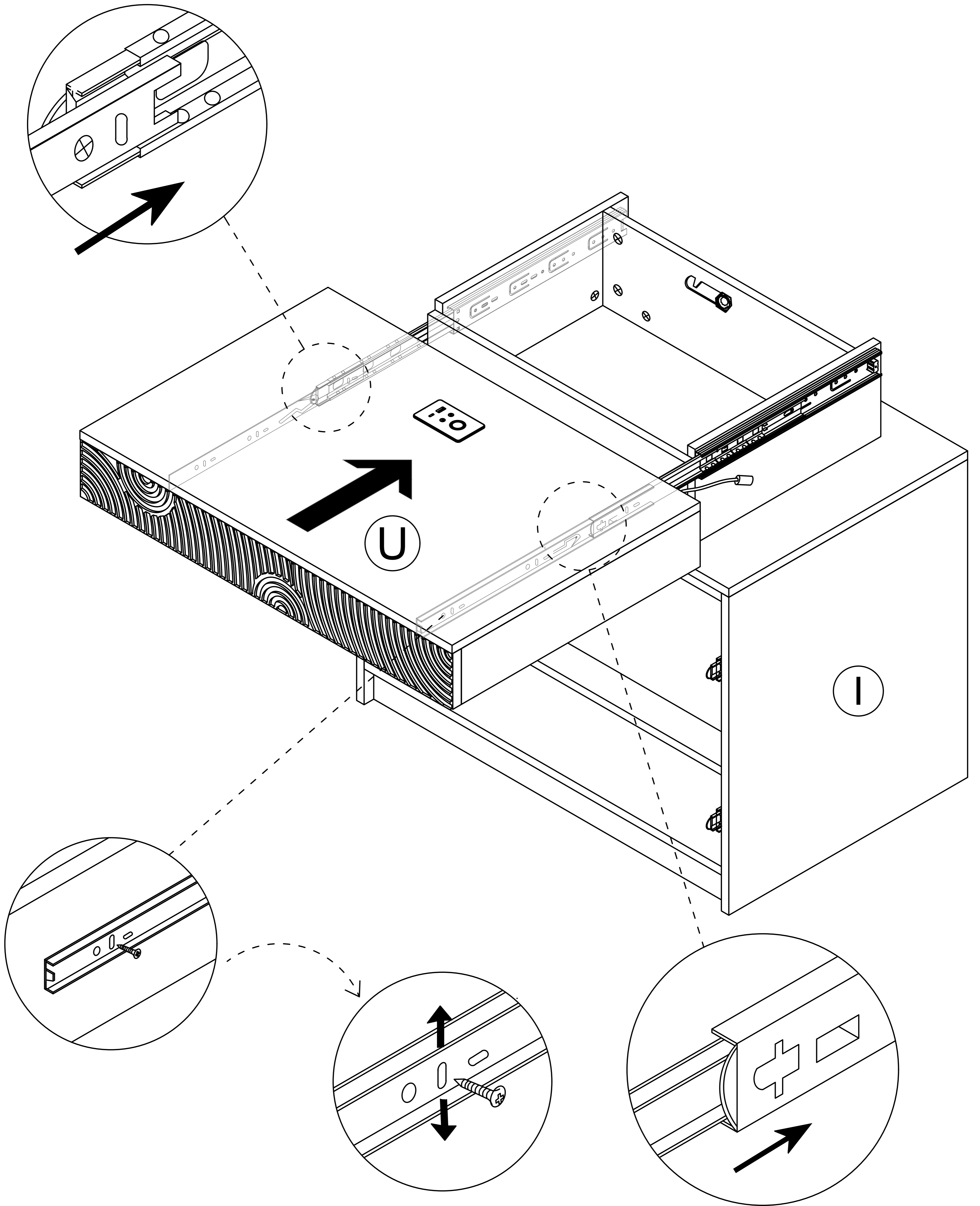
 x2 ④

Step 42



As shown, When installing the drawer,
pull the guide rail out first, Slide beads are also pulled out.

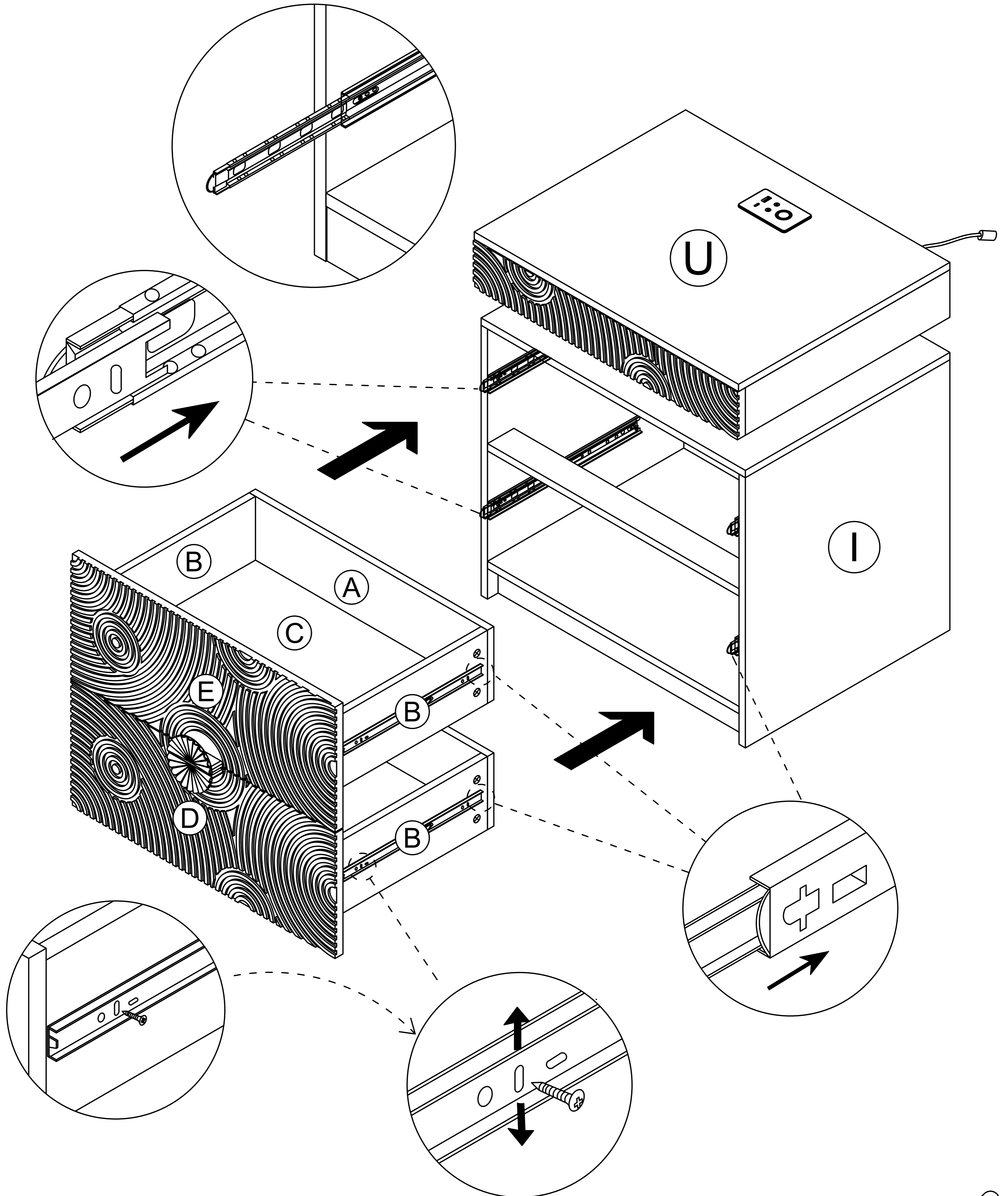
Step 43



If a large gap is found after installing the drawer the slide rail can be moved up and down to adjust the gap.

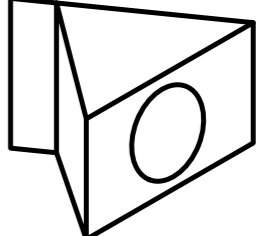
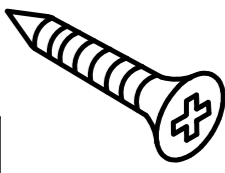
Step 44

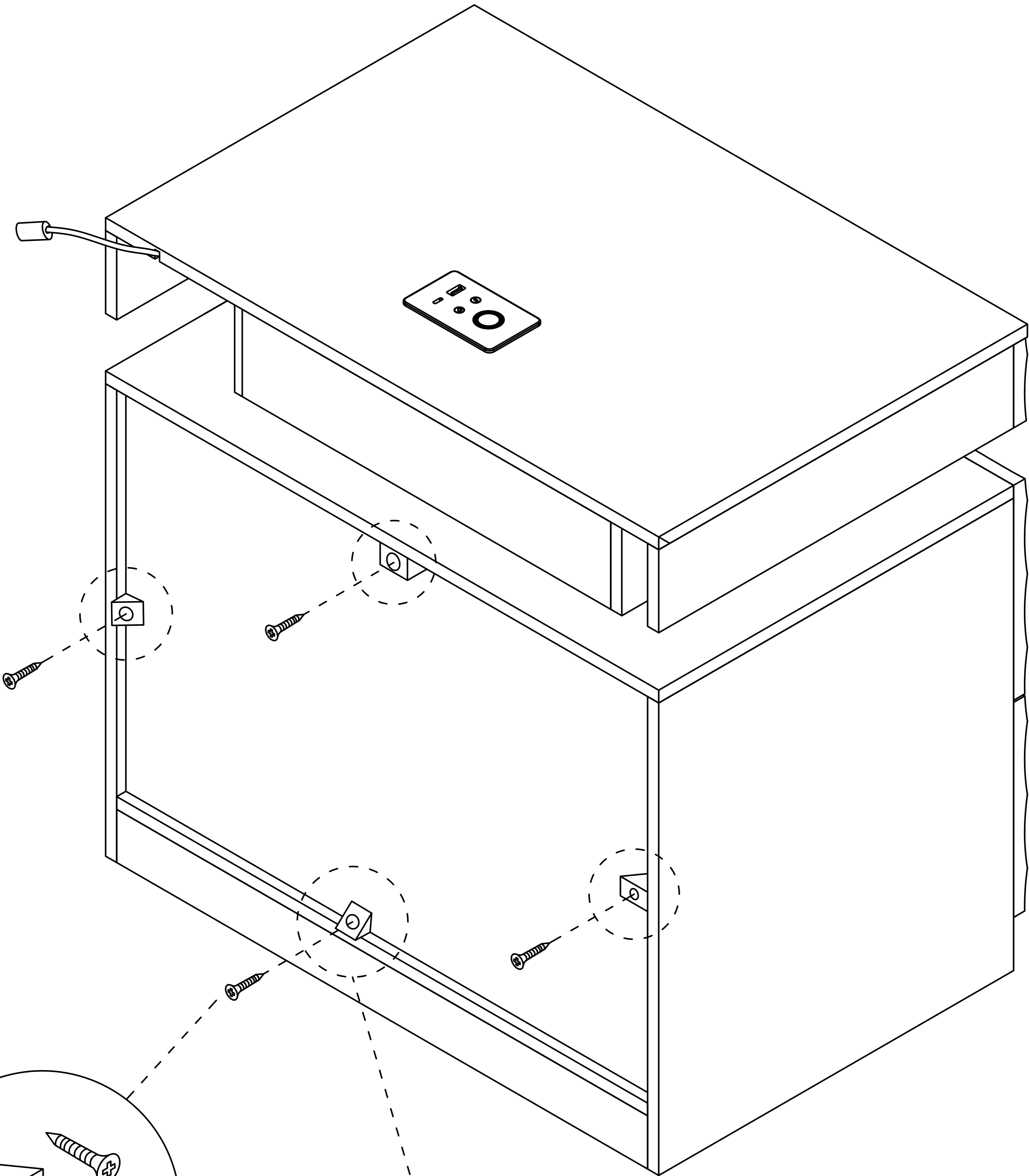
As shown, When installing the drawer, pull the guide rail out first, Slide beads are also pulled out.

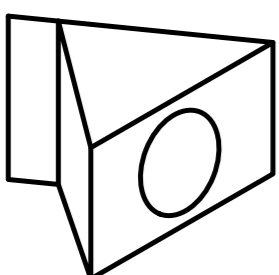
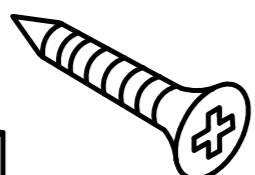


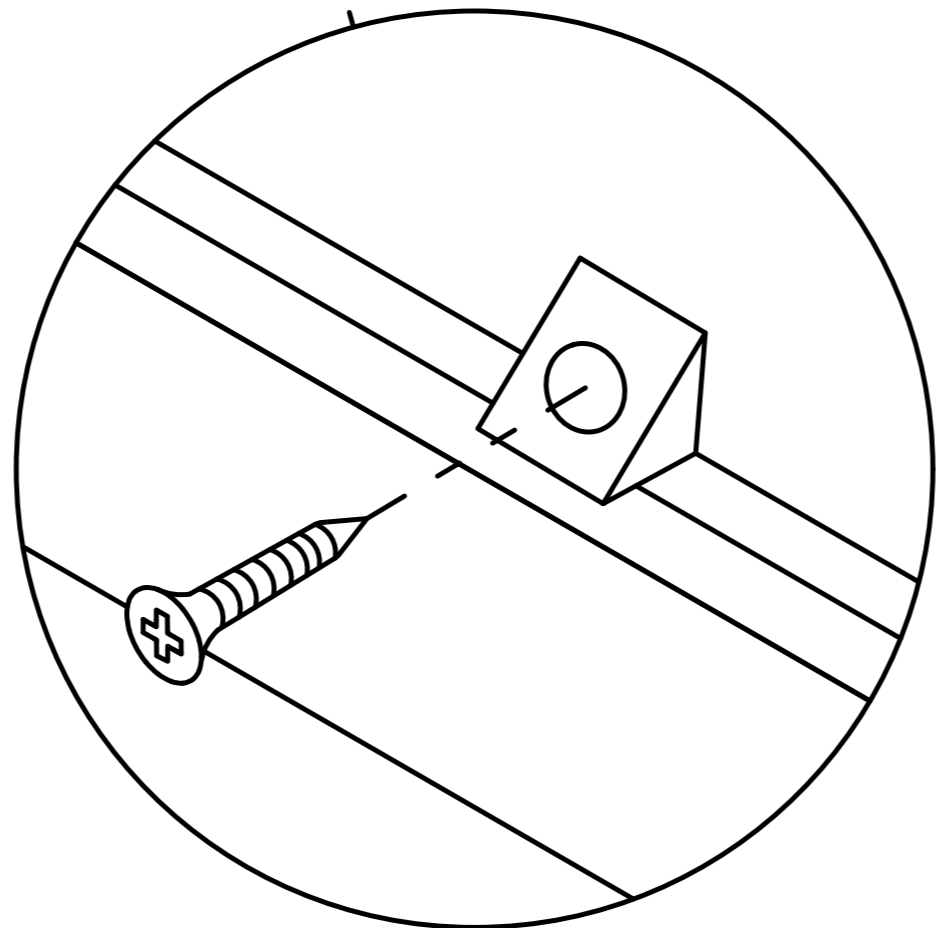
If a large gap is found after installing the drawer the slide rail can be moved up and down to adjust the gap.

Step 45

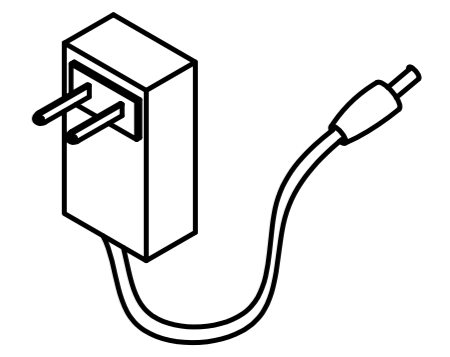
5   x4



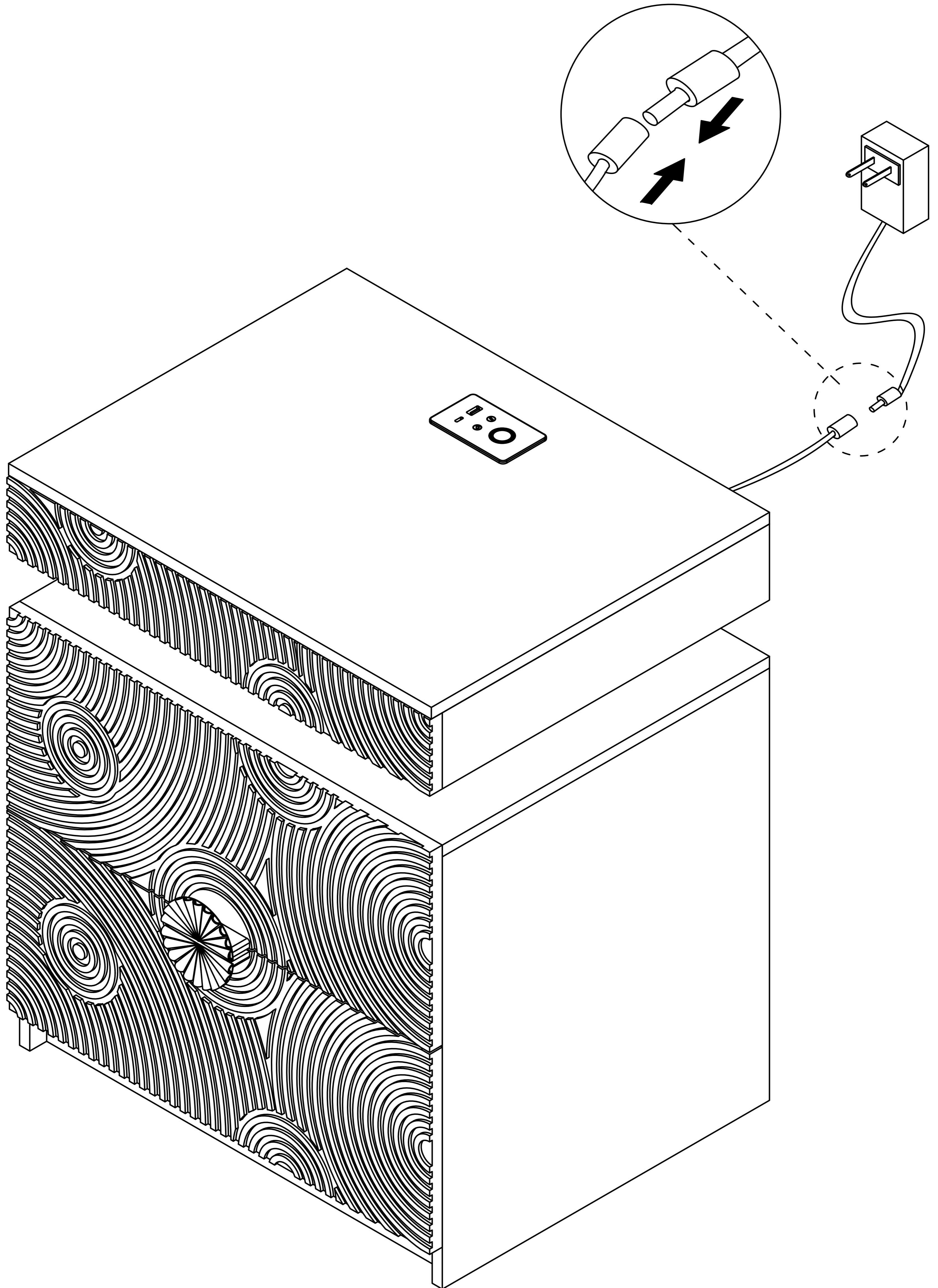
  x4 5



Step 46



x1





User's Guide

Thank you for purchasing this product.

To use this product, please connect it to a power source.

Please use if the product works normally after connecting to power.

If bubbles appear on the panel, remove the protective film.

Introduction

The box is an intelligent controller.

It has 1 USB output port 1 Type-c port, with 3 touch buttons and a touch ring, it can and turn ON/OFF the induction function,

turn ON/OFF the light, adjust the light luminance, and change light colors.

The lights can be controlled through both the touch buttons and a dedicated app.

Operation

This touch button is used to turn the light on/off, adjust brightness, and switch the color of the lights.



i. Single Click: Turn the light on/off.

ii. Quick Double-Click: Switch between 7 static RGB colors.

iii. Long Press (2+ seconds): Adjust the light luminance.

This touch button is used to turn ON/OFF the induction function.



Single Click: Turn on The key press indicator light is on.)

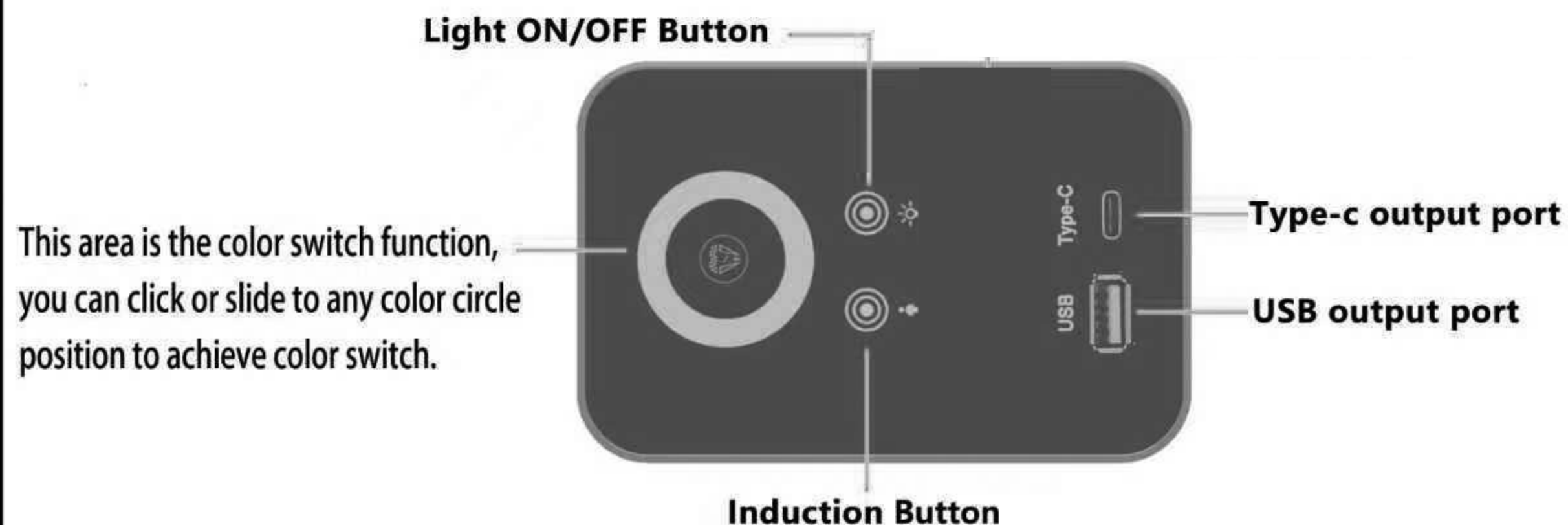
Single Click: Turn off (The key press indicator light is off.)

By default, the human body sensing is enabled upon initial power-on, and the indicator light is on.

This touch button is used to switch dynamic phantom colors.



Single Click: Switch to Phantom Mode, with 5 magical color transformations available.



⚠ ATTENTION PLEASE

1. If there is no touch response suddenly, Re-plug the power to reset the touch static electricity.

2. If you have any questions when installing, please feel free to contact us. Thank you.