

General Guidelines

- Please read the following instructions carefully and use the product accordingly.
- Please keep this manual and hand it over when you transfer the product.
- This summary may not include every detail of all variations and considered steps. Please contact us when further information and help are needed.

Notes

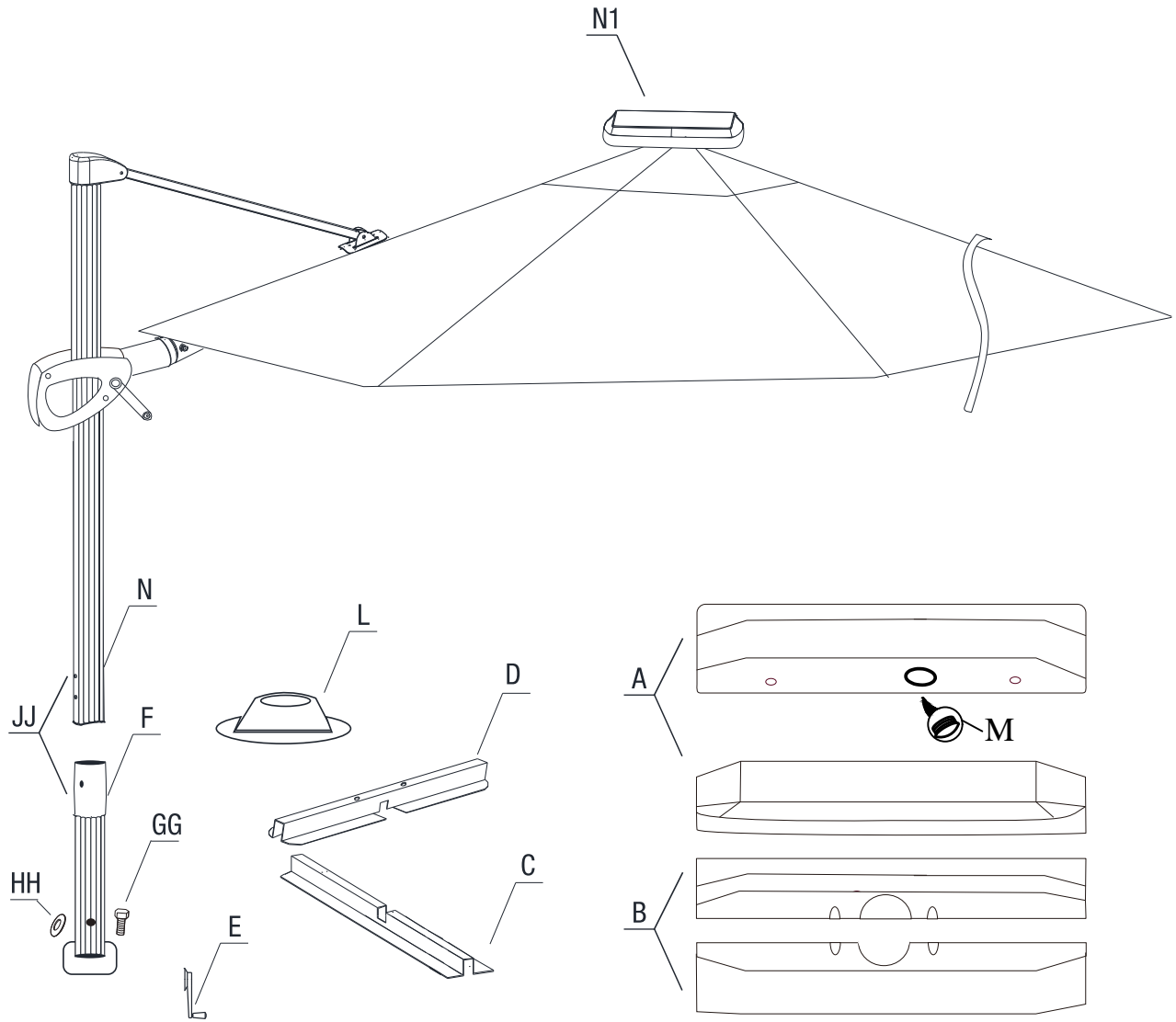
- Personal injury and/or damage to the product may occur if products are used outside of their intended purposes and/or if products have been changed/modified from their original design. The product must be assembled and used in accordance with the provisions of the manual. The seller does not assume any responsibility or liability with respect to any damage caused by incorrect assembly or improper use.
- Carefully check accessories when opening the package. If anything is missing or damaged, please contact us immediately.
- Do not use the parasol without an umbrella stand.
- This parasol is only used for shading and decoration purposes.
- Store the parasol in a dry, sheltered place, such as a garage or basement during high winds, rainy days, and the off-season.
- Never force your parasol open. Umbrella mechanics should open gently and easily.
- Do not use sharp tools or equipment such as a knife or scissors when removing the protective material, as it may damage the product.
- After receiving the product, connect the LED light plug to the solar panel before using it.
- Put the solar parasol in direct sunlight to charge the batteries for 8 hours before the first use.

Warnings

- Keep children away when assembling the product. Small parts are included in the package; they may be fatal if swallowed or inhaled.
- To avoid the potential dangers of suffocation, please keep all parts and packaging (film, plastic bags, foam, etc.) away from babies and children.
- Keep the parasol away from fire; do not use it during extreme cold and heat, and severe weather like rainy, windy, snowy days, and hailstorms, etc.
- When the battery needs to be replaced, please use a battery of the same specifications and capacity.
- Do not throw the battery into fire or heat.
- The battery should be recycled or treated according to state or local requirements.

Daily Maintenance

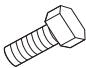


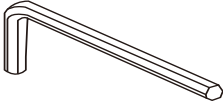
- Clean the canopy with a soft cloth moistened with a neutral detergent. Store it after completely drying, which will help reduce the growth of mold.
- Do not machine wash, do not dry.
- Do not iron.



Package Contents

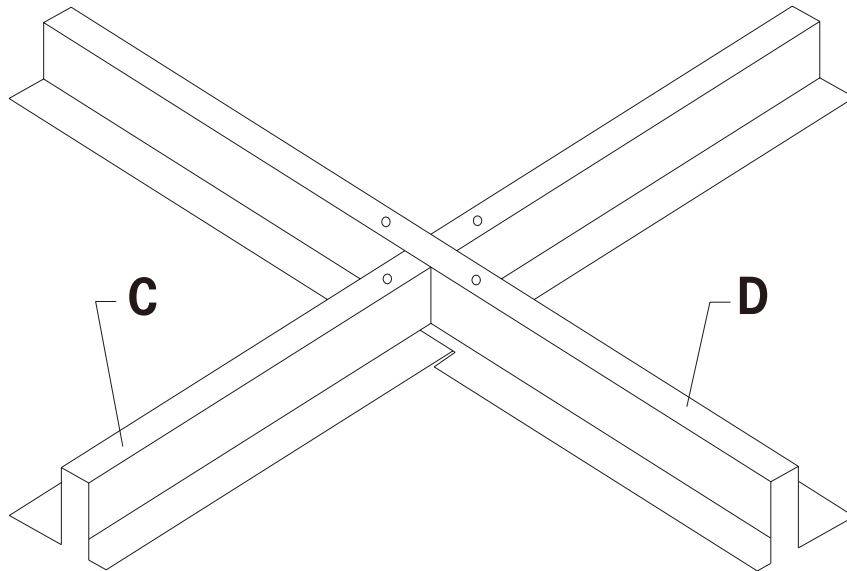
Part	Description	Quantity
A	Blow Molded Base Outside	2
B	Blow Molded Base Inside	2
M	Blow Molded Base Cap	4
C	Lower Cross Leg	1
D	Upper Cross Leg	1
E	Crank Handle	1
F	Holder Pole	1
L	Pole Support Cup	1
CAN	Canopy (on the umbrella frame)	1
N	Umbrella Frame (with canopy)	1
N1	Solar Panel	1

Hardware Contents

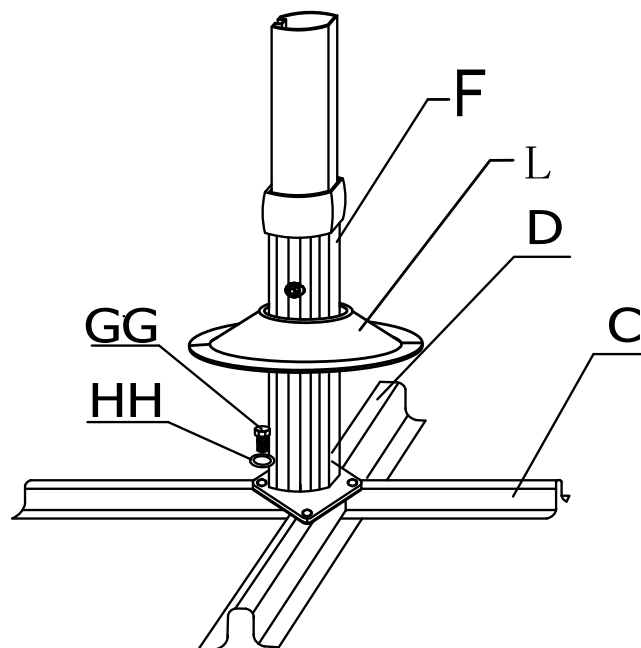
Part	Picture	Description	Quantity
GG		Hex Bolt M10-1.5x20 A2-70	4
HH		Flat Washer M10 A2-70	4
JJ		Hex Bolt M8 A2-70	2
KK		Hexagon Wrench M8	1



CAUTION: Do not use sharp tools or equipment such as a knife or scissors when removing the protective material, as it may damage the product. Be careful not to throw away small parts such as bolts, washers, ect. that may be wrapped in the protective materials.



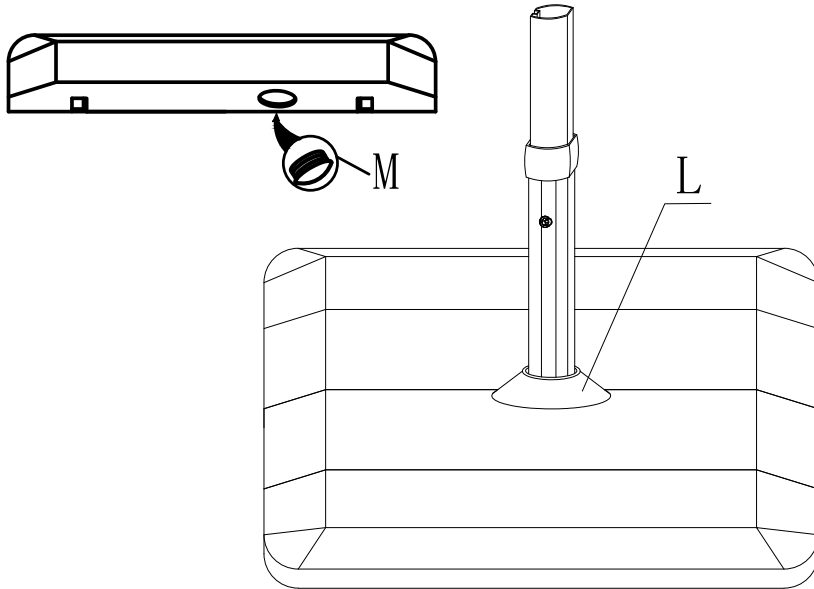
Step 1: Place lower cross leg (C) on the ground, line up notches and place upper cross leg (D) over the lower cross leg (C).



Step 2: Attach the holder pole (F) to the base by using the bolts (GG) and washers (HH) (found in blister pack). Hand tighten only. Adjust the holder pole (F) to be sure it is positioned correctly on the base. Finally tighten all bolts. Be careful not to over tighten.



WARNING: Do not use this umbrella during periods of high winds and rain. Failure to do so may result in personal injury and/or damage.

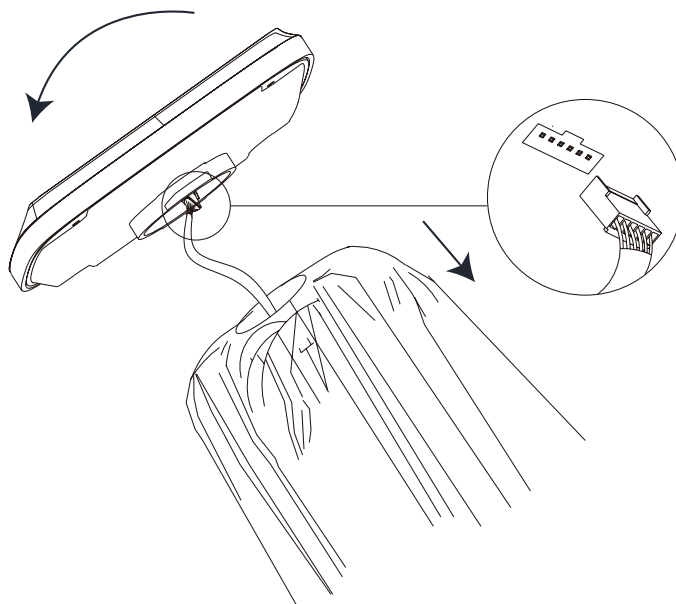


Step 3: Fill each base (A & B) with sand, cover with cap (M). Place pole support cup (L) onto holder pole (F) and lay on top of blow molded base (B).

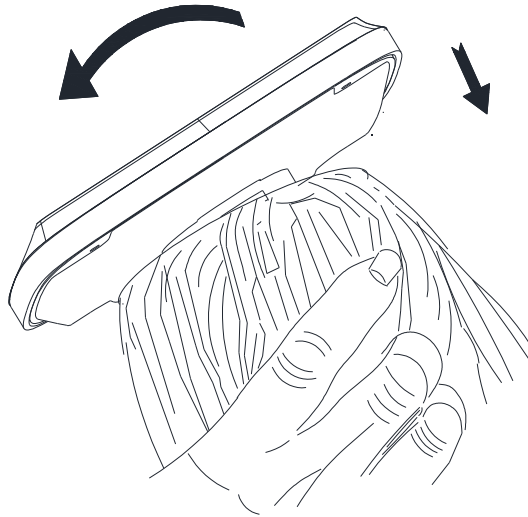
Solar Light Assembly Instructions

Estimated Assembly Time: 10 minutes

Tools Required for Assembly: No Tools Required



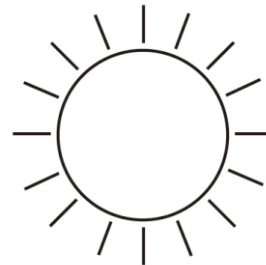
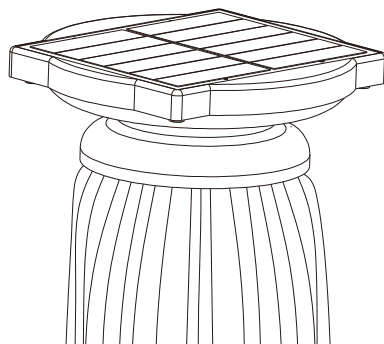
Step 1: Insert the plug into the socket under the solar panel as shown above.



Step 2. Put the solar panel on the top of umbrella and hide the plug and wire inside the groove at the top of umbrella. Then turn the solar panel clockwise. Do not over tighten. Please remove the plastic film on the solar panel.



INFORMATION: Please remove the plastic film on the solar panel. This protective film is to prevent damage during shipping. Failure to remove the film will result in the solar panel not functioning properly.

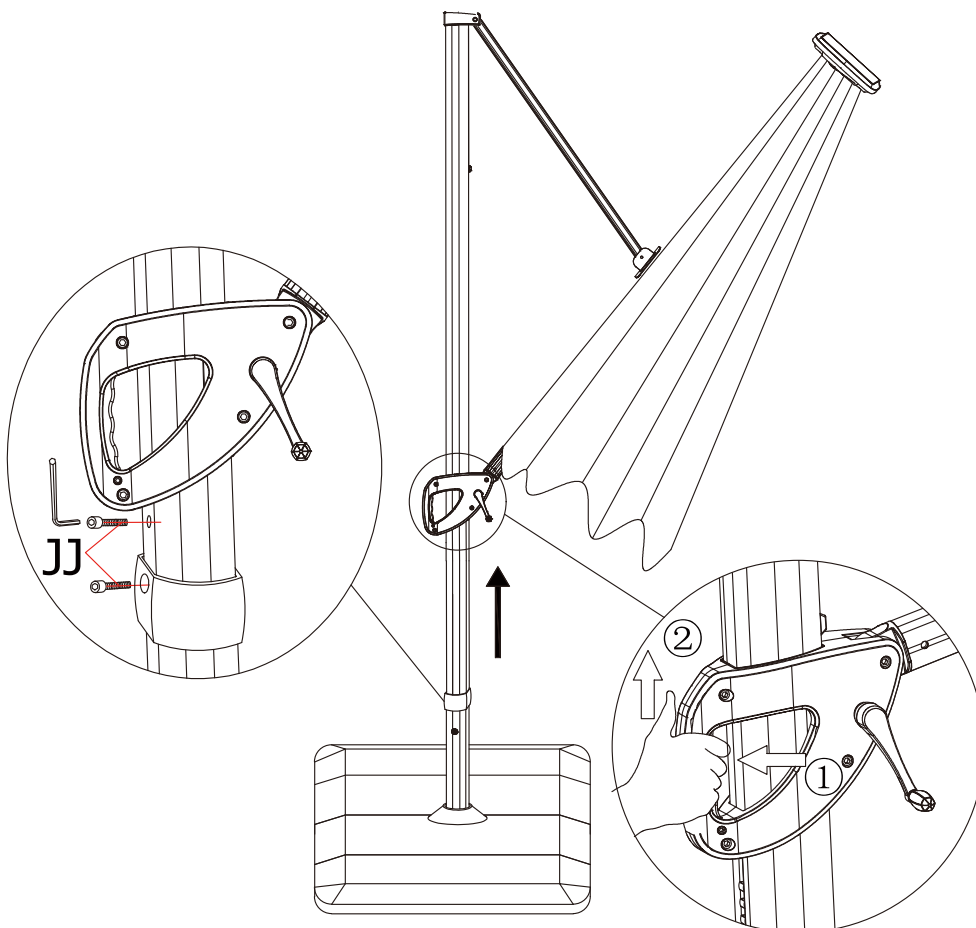


Step 3: Put the solar umbrella in the sunlight to charge the battery for 8 hours before the first use.

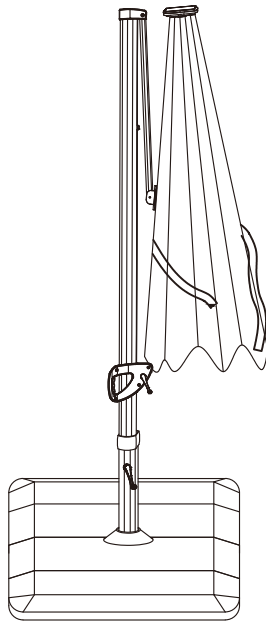
Make sure to charge the battery for at least 8 hours before the first use. Otherwise it will shorten lifespan of the battery and decrease performance. If charging the solar panel while attached to the umbrella, make sure the switch on the rib is in the off position.



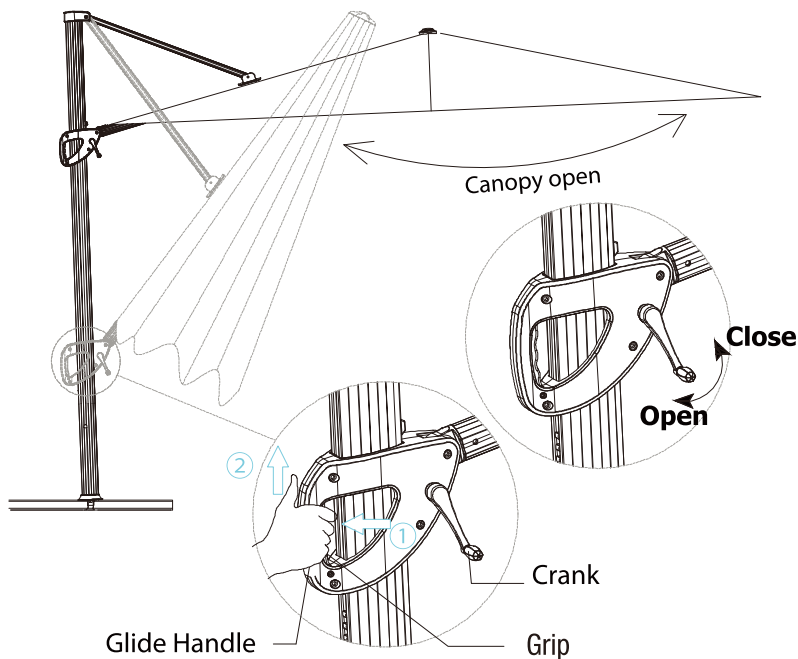
CAUTION: YOU MUST CHARGE BATTERY BEFORE FIRST USE. Please note that battery can discharge if they are left unused or uncharged for a long period of time. Since there can be a six-month period between production and final customer purchase, we recommend you charge your solar umbrella for at least 8 hours in direct sunlight before the first use. Failure to charge the battery will result in premature dimming of the lights in your new solar umbrella. Make sure the light switch is in the off position when charging the solar panel. For everyday normal use, turn the light switch on at night when you want to use the solar light and turn off the switch after use. **MAKE SURE THE LIGHT SWITCH IS IN THE OFF POSITION IN THE DAYTIME FOR THE SOLAR PANEL TO RECHARGE THE BATTERY**



Step 4: Insert Umbrella Frame with Canopy (N) into the Holder Pole (F). Slide the holder pole collar onto the holder pole at the same time. Tighten the two Hex Bolts (JJ) into the holder pole to secure the umbrella.



Step 1: Unfasten the storage straps around the canopy.



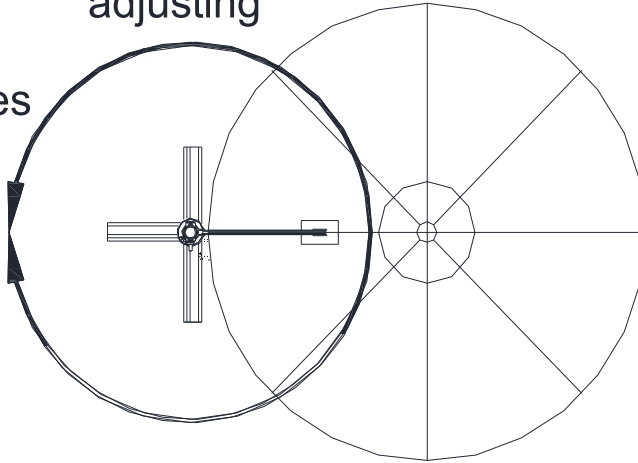
Step 2: To open the umbrella, squeeze the Glide Handle and grip together and slide up or down the pole to achieve the desired tilting angle. Release the grip to lock into place. To open the canopy, turn the crank handle clockwise until the canopy is fully open as pictured.



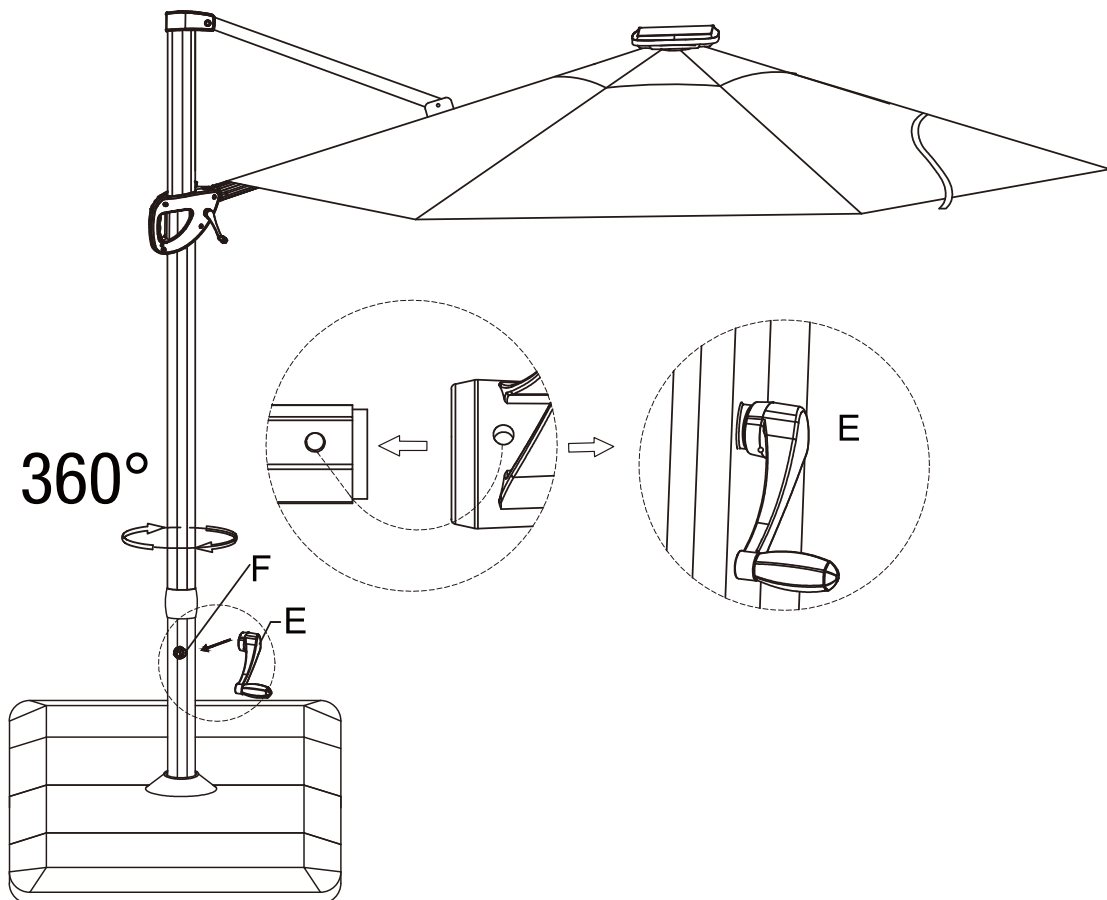
CAUTION: If the crank becomes too hard to turn while opening the canopy, check to see if the rope has come off the pulley. If you continue to turn the crank, the rope or crank handle could break.

Canopy position adjusting

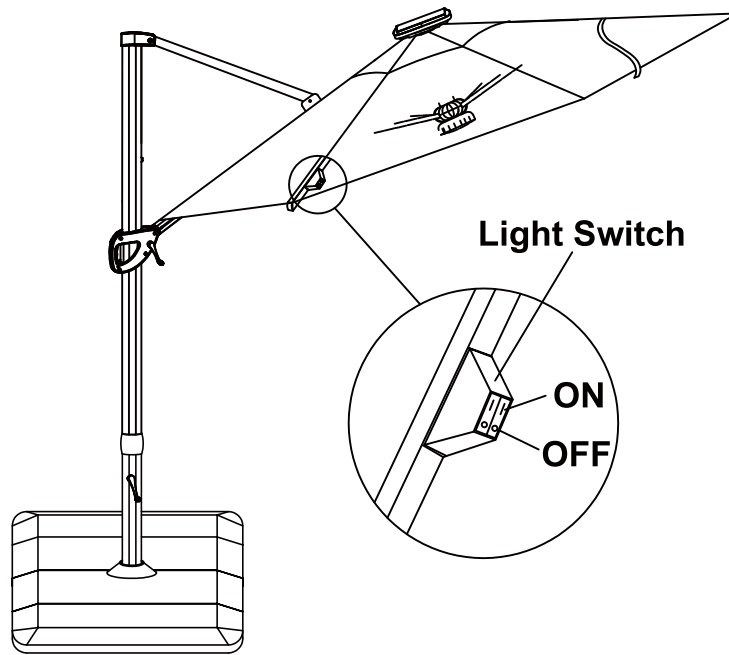
Rotates
360°



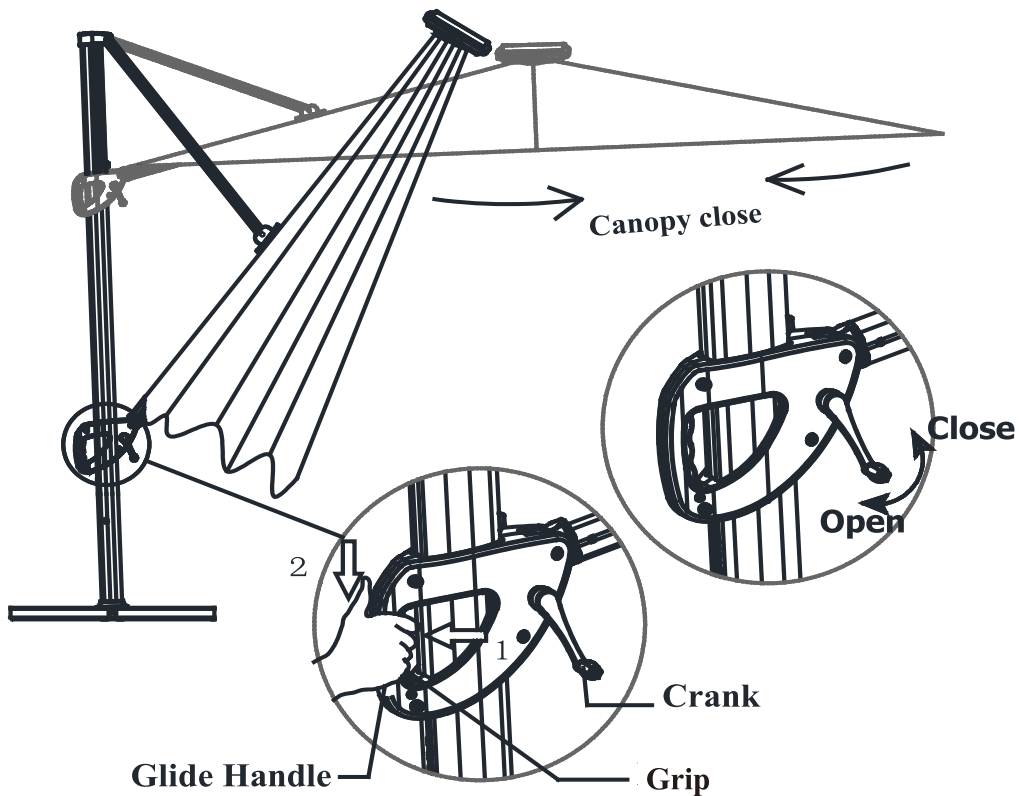
Step 3: The multiple position canopy can rotate 360° around the axis of the main pole to offer the shade on your expected area around the umbrella.



Step 4: To rotate umbrella insert the crank handle (E) into holder pole (F) and turn to desired position.



Step 5: Press the light switch to turn on/off the solar lights.



Step 6: To close the umbrella, turn the crank handle counter clockwise until the canopy is fully closed. Squeeze the Glide Handle and grip together, then slide down the pole and release the grip to lock into place.

Step 7: Fasten the storage straps around the canopy.

