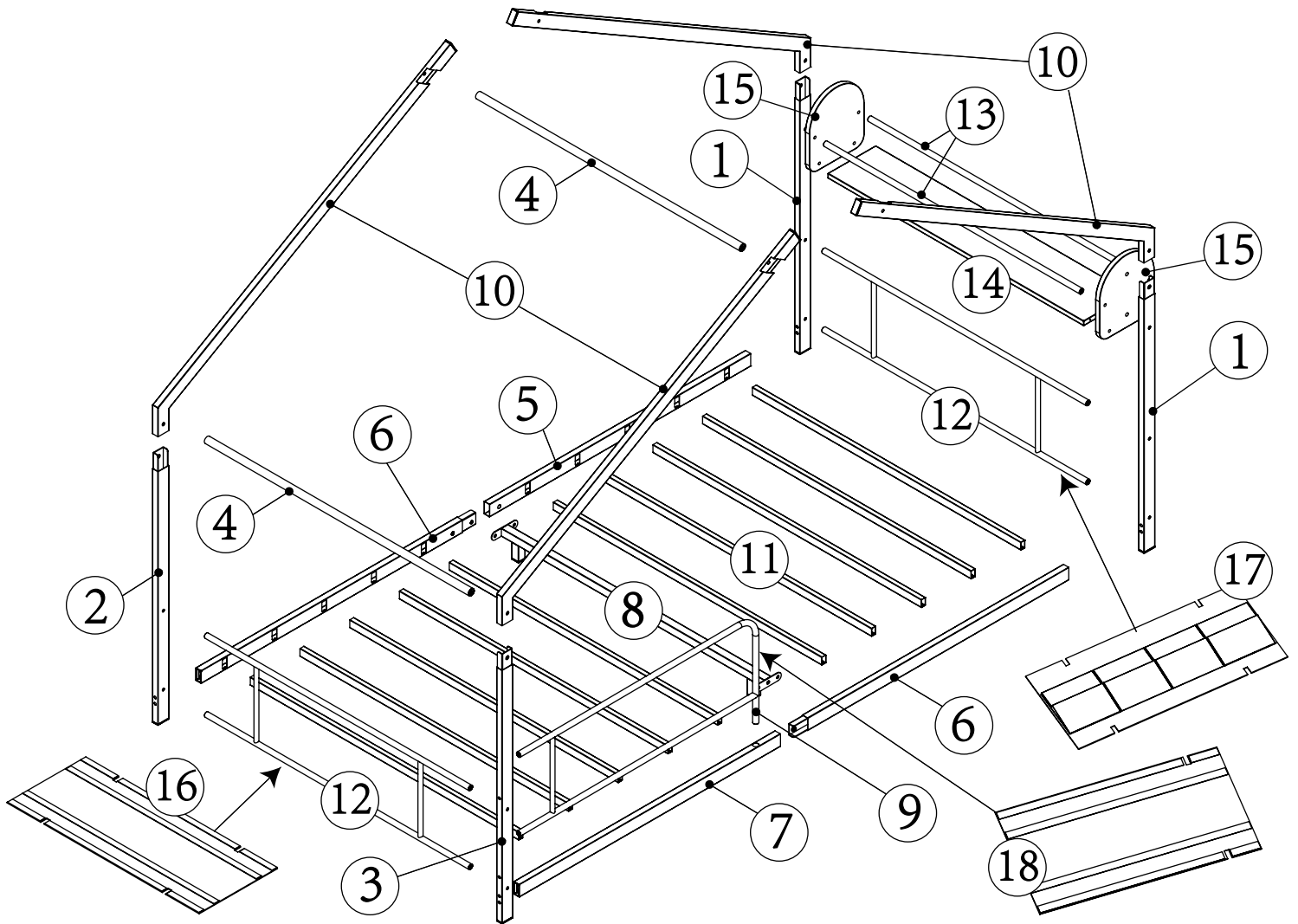
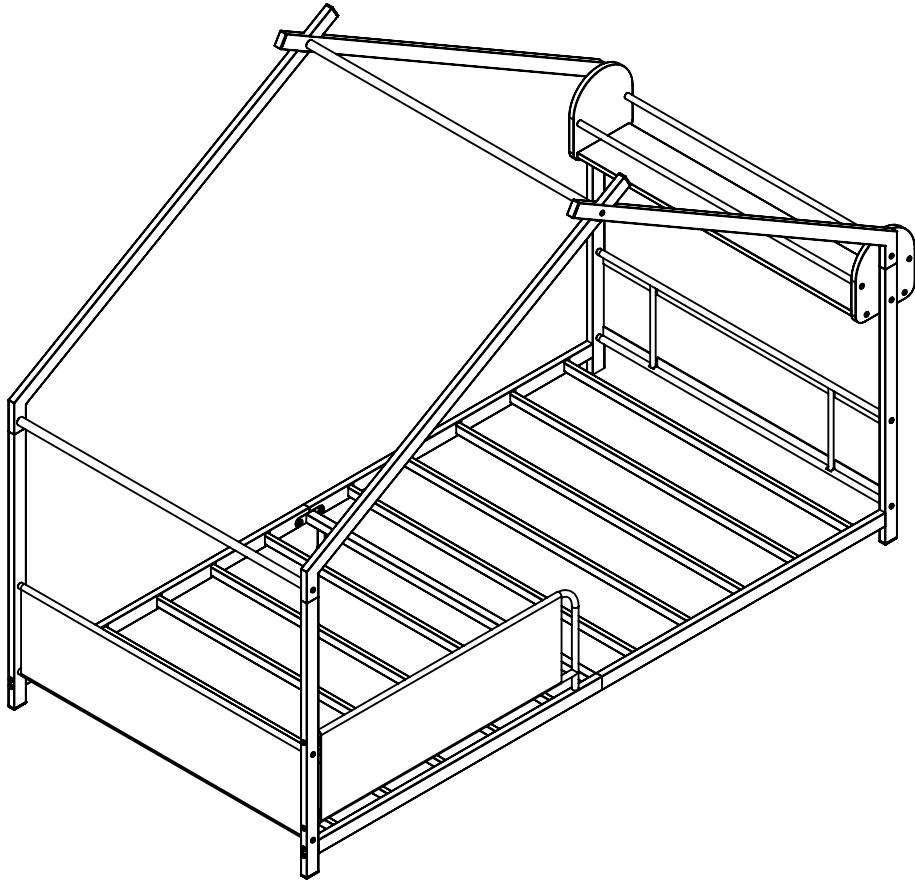
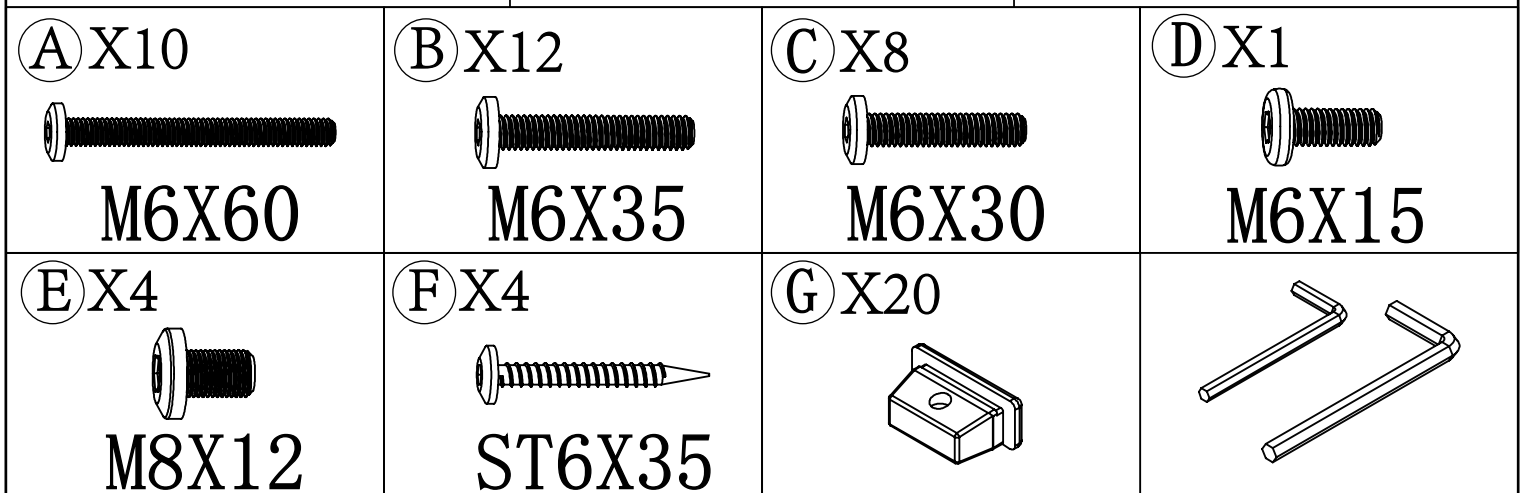
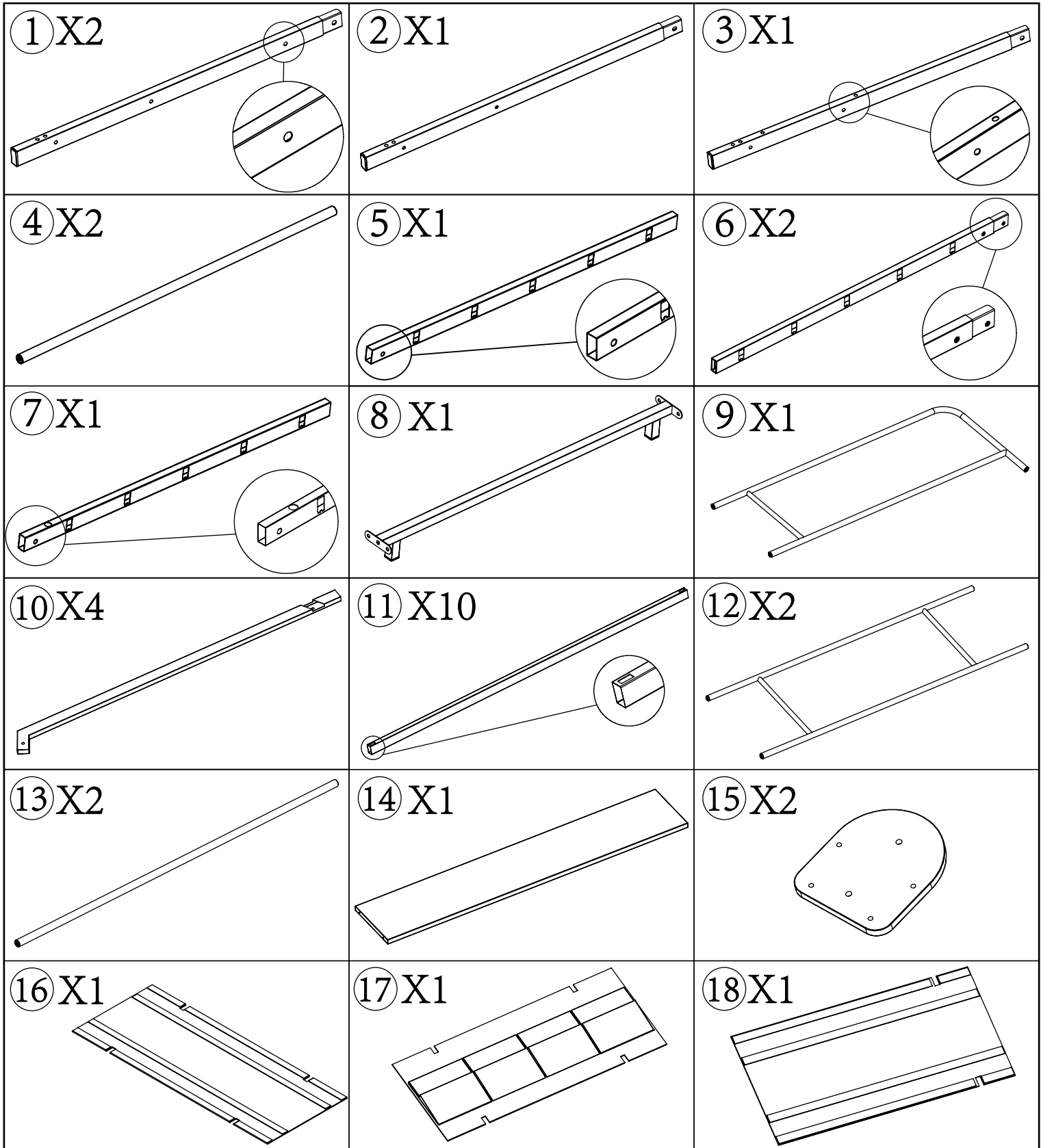
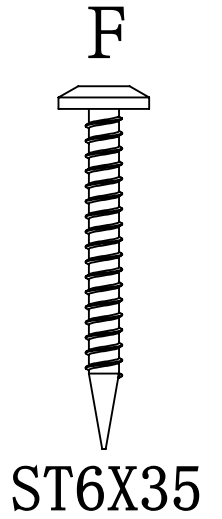
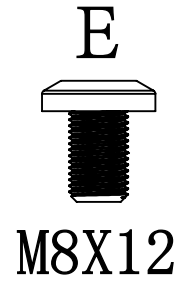
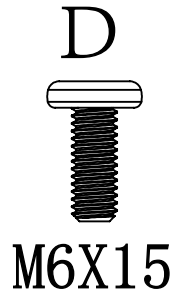
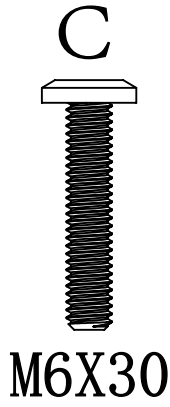
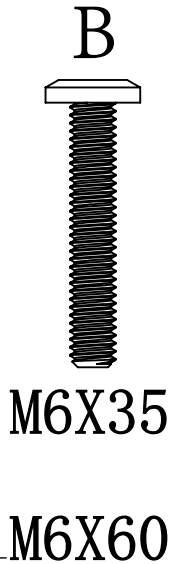
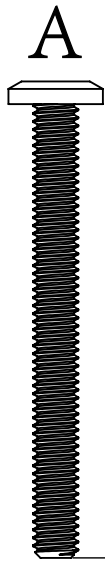


# HOUSED-TWIN HOUSE BED



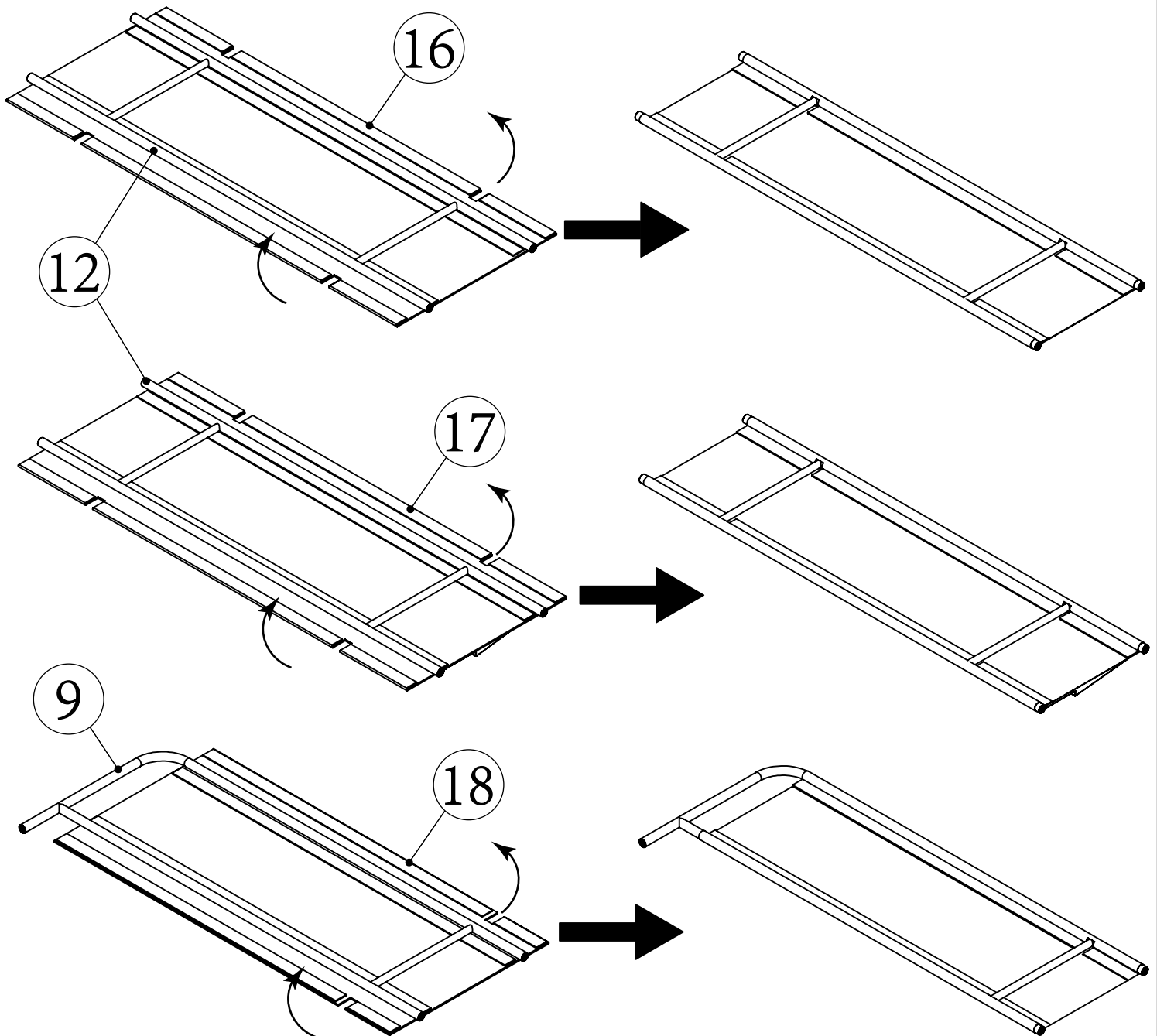


# Difference screws display(1:1)



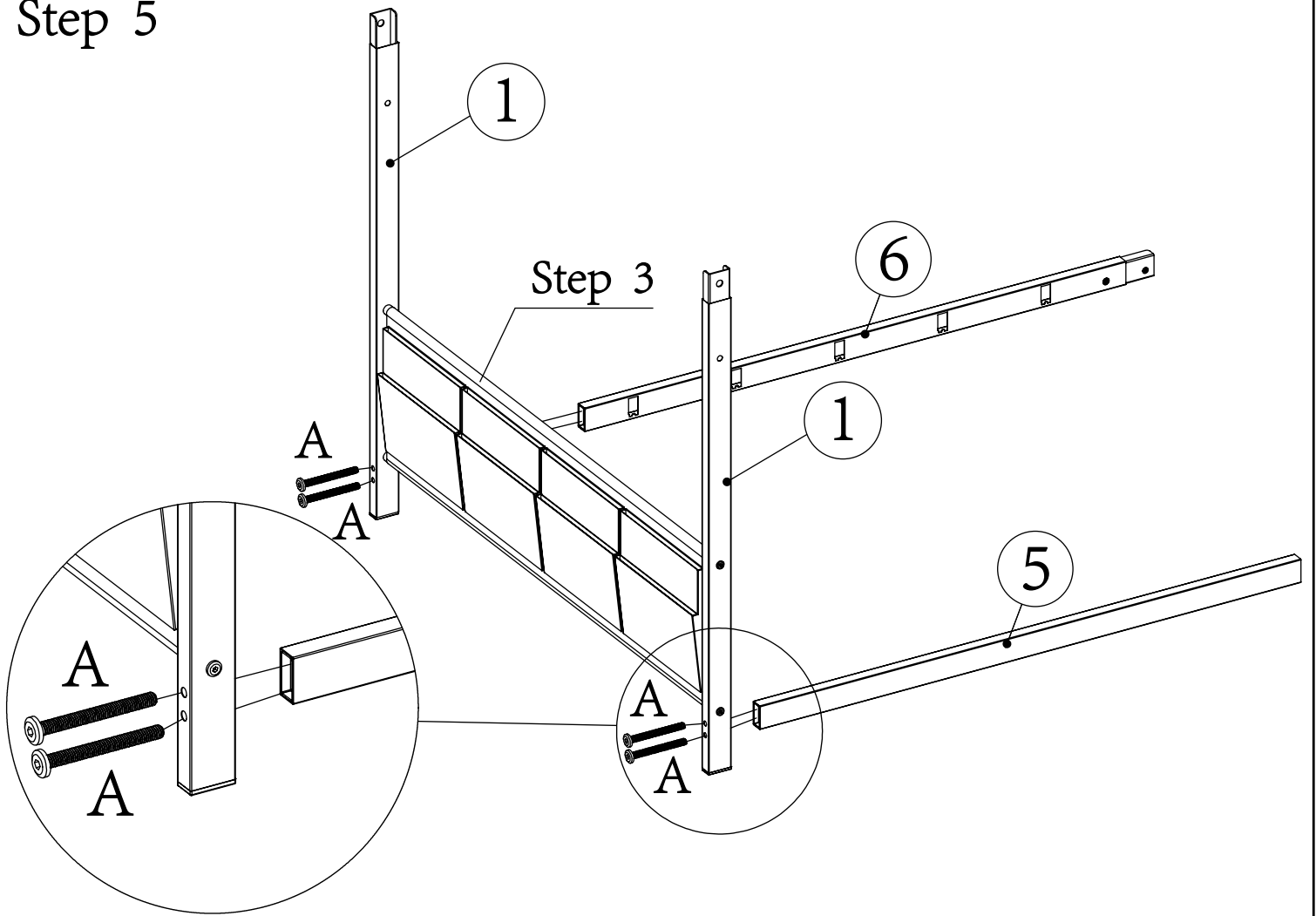
M6:Screw outer diameter 6mm  
M8:Screw outer diameter 8mm

## Step 1

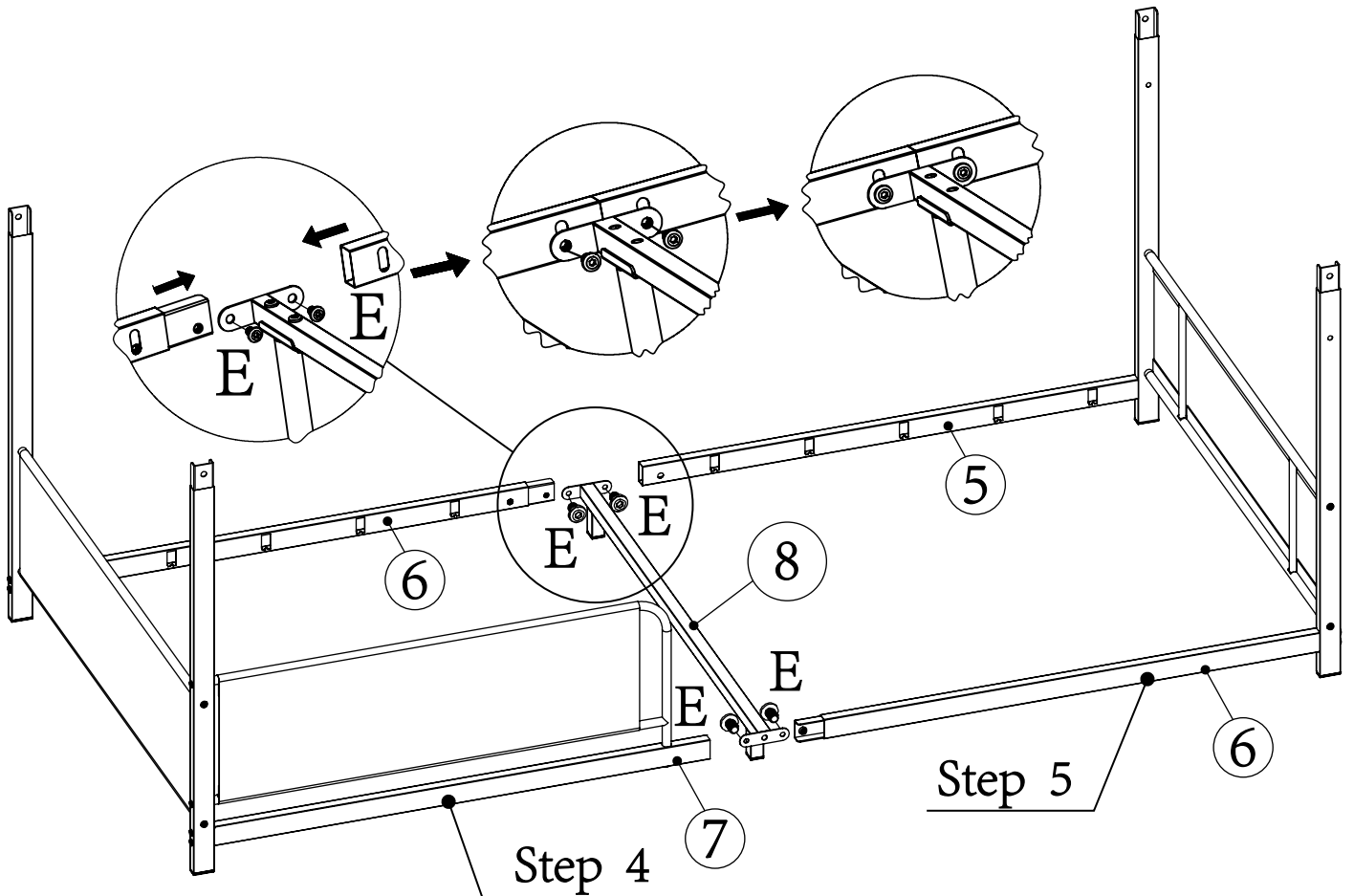




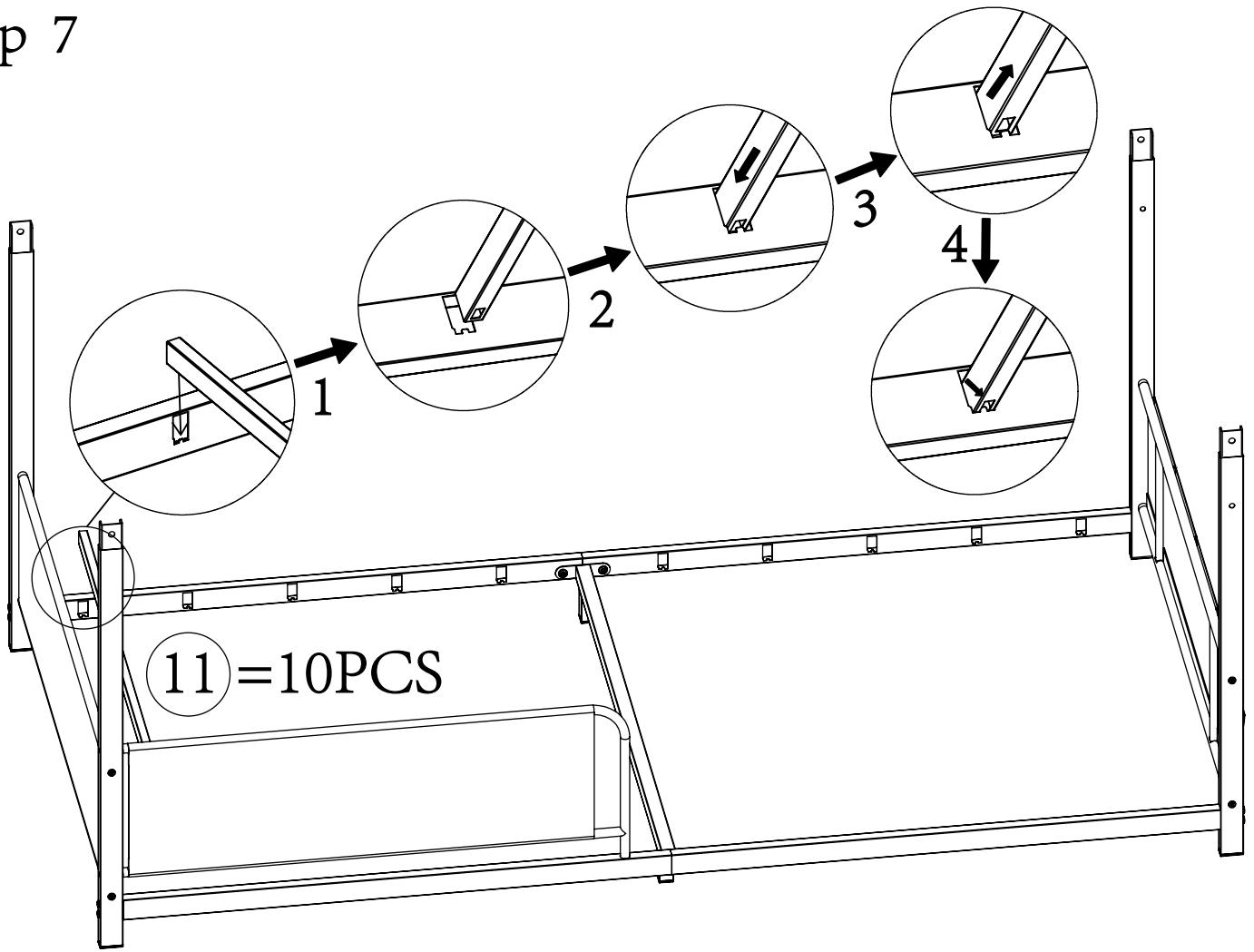
# Step 5



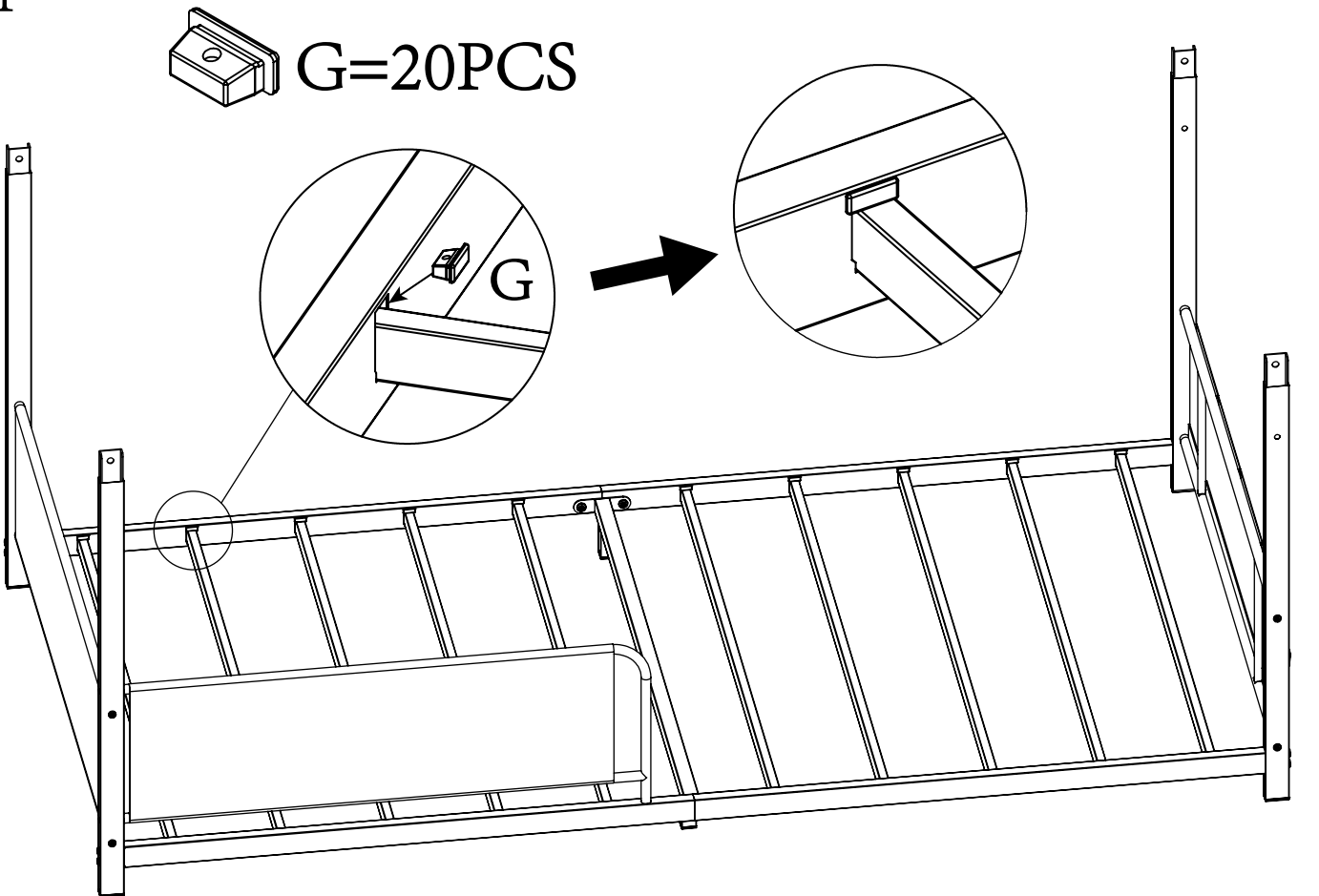
# Step 6



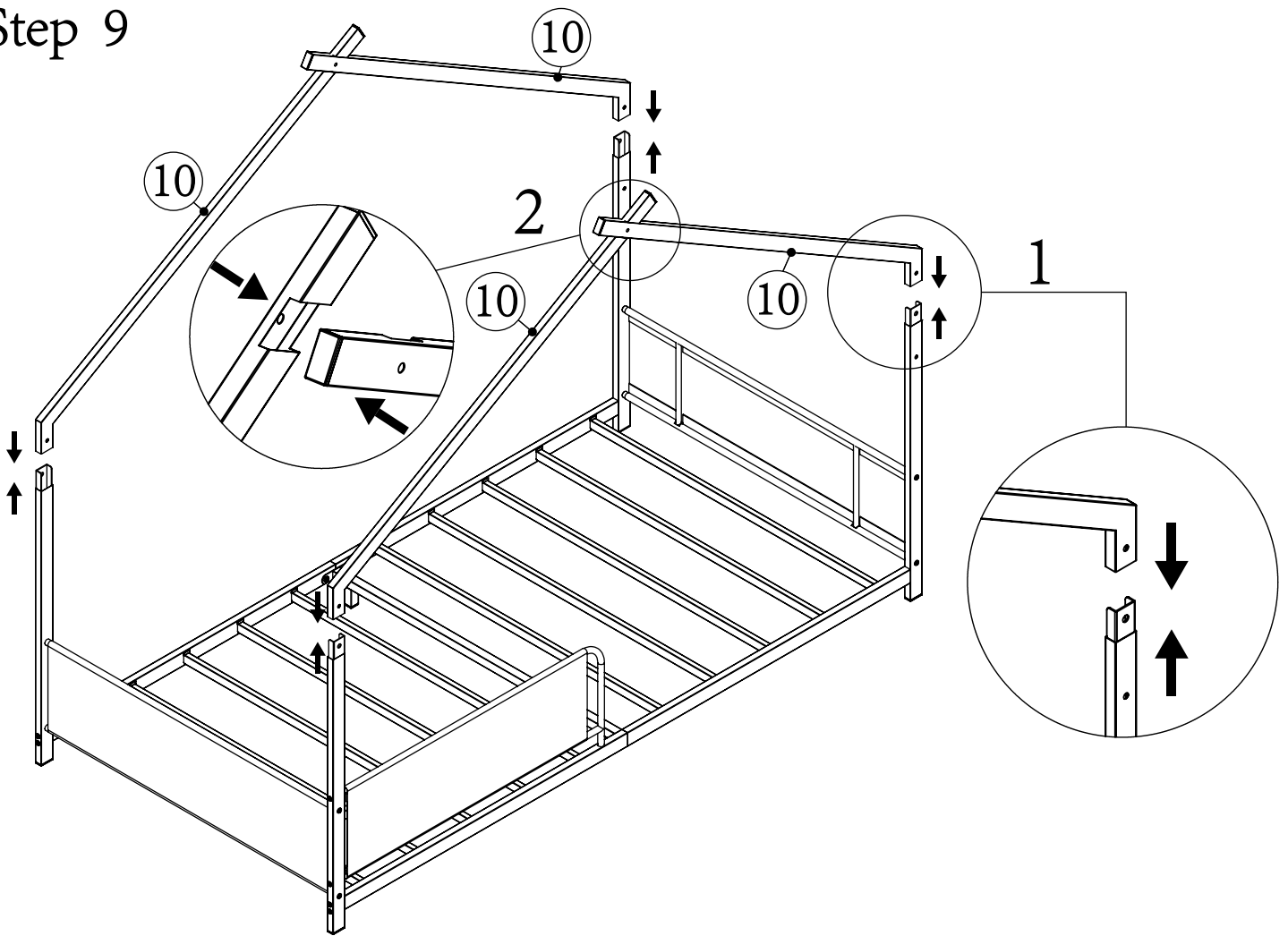
# Step 7



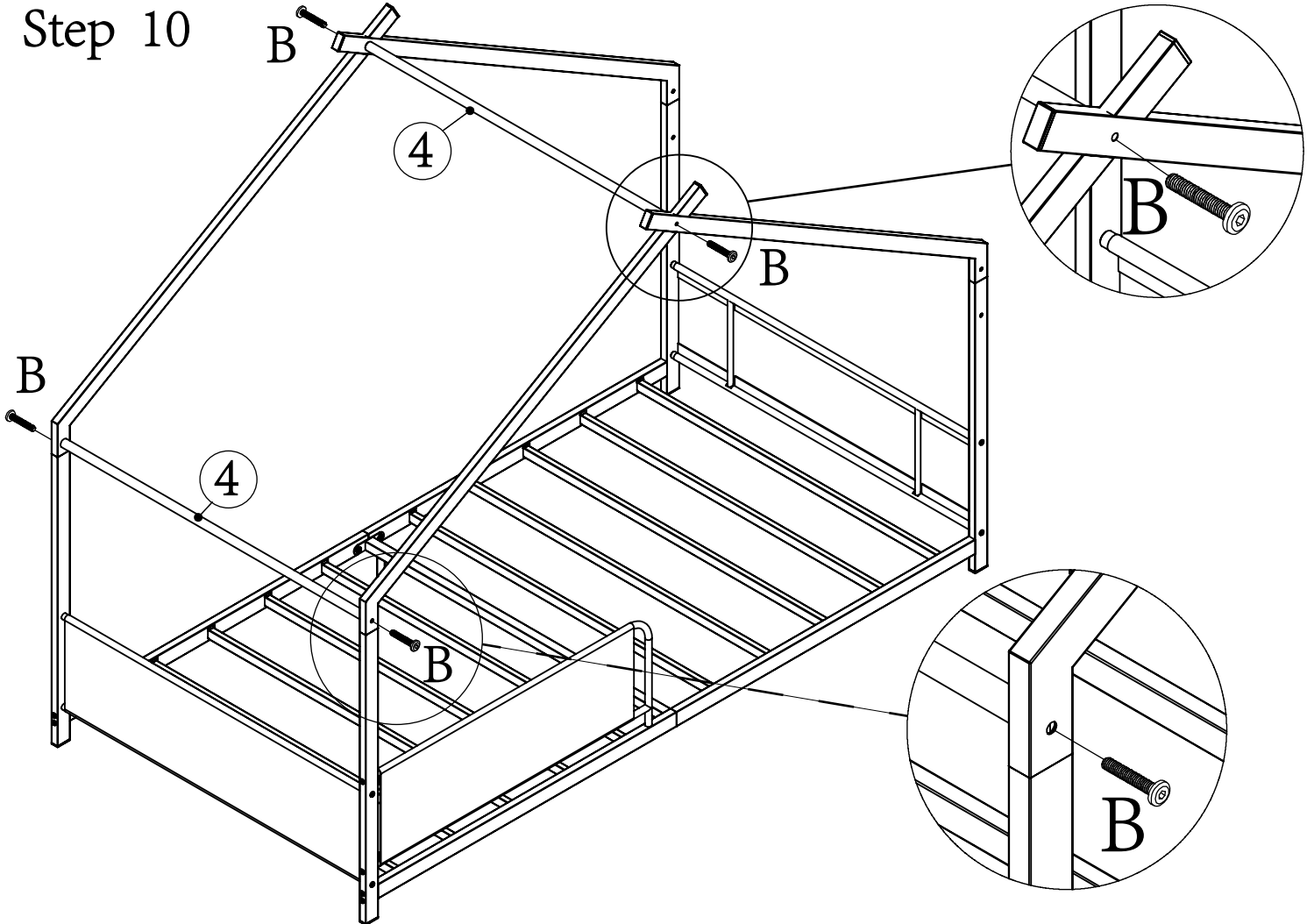
# Step 8



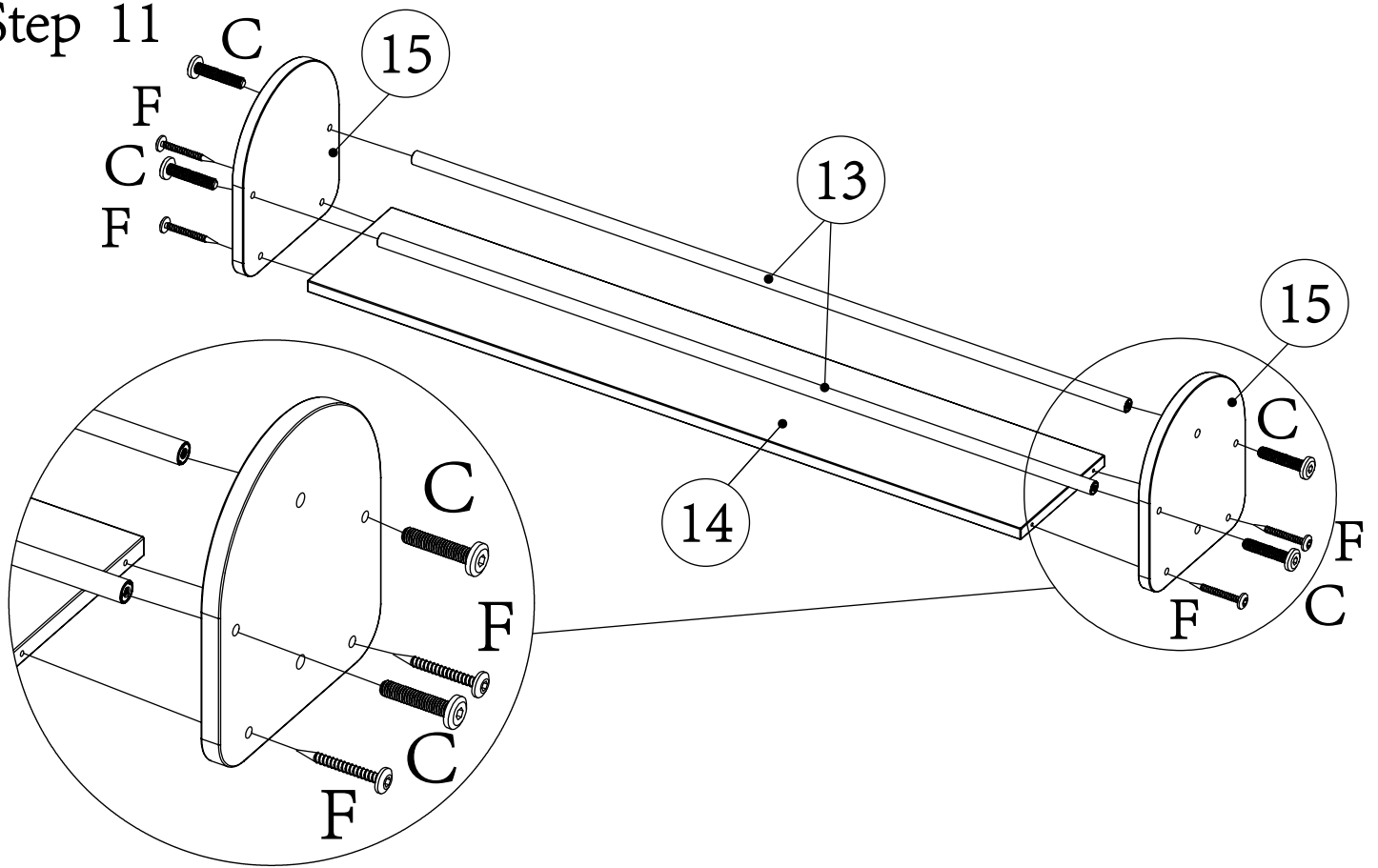
# Step 9



# Step 10



Step 11



Step 12

