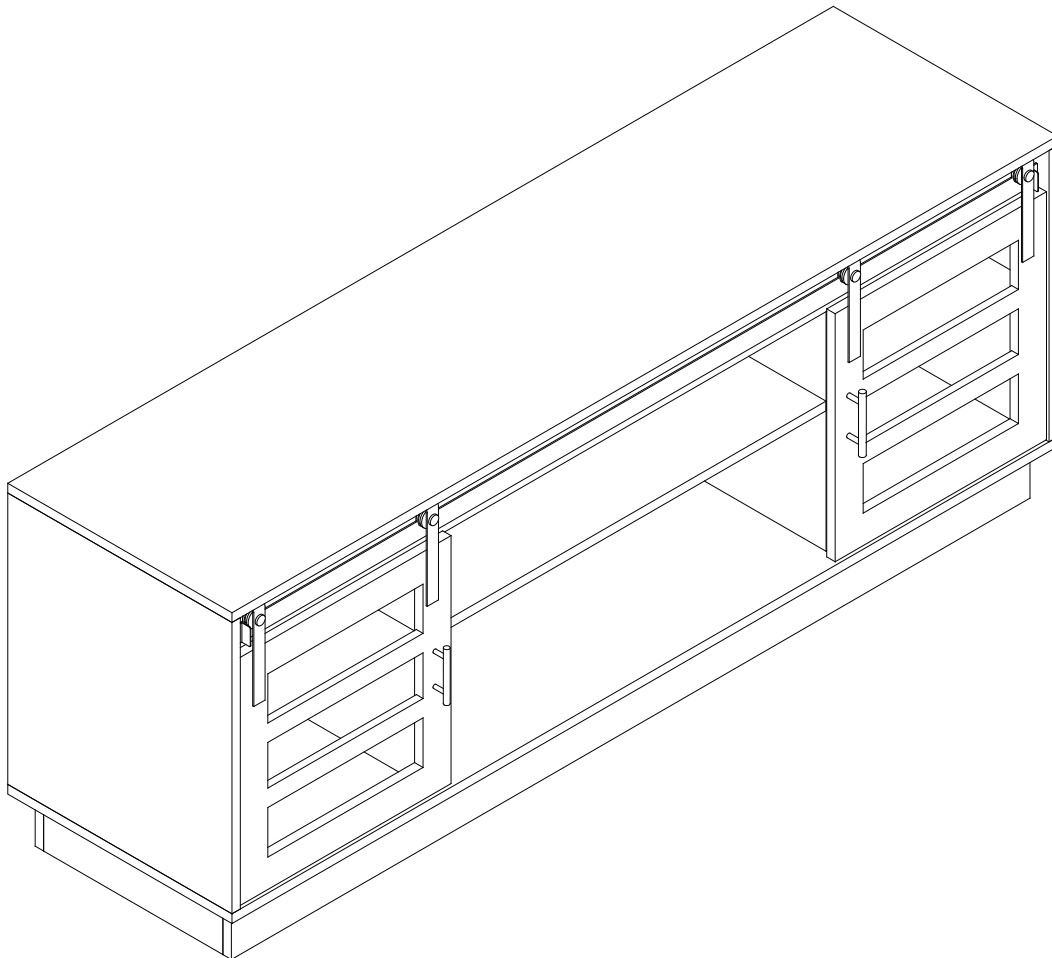




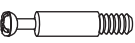

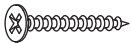


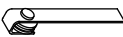


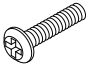






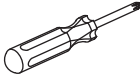
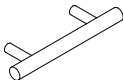

Modern Barn Door TV Stand 58"

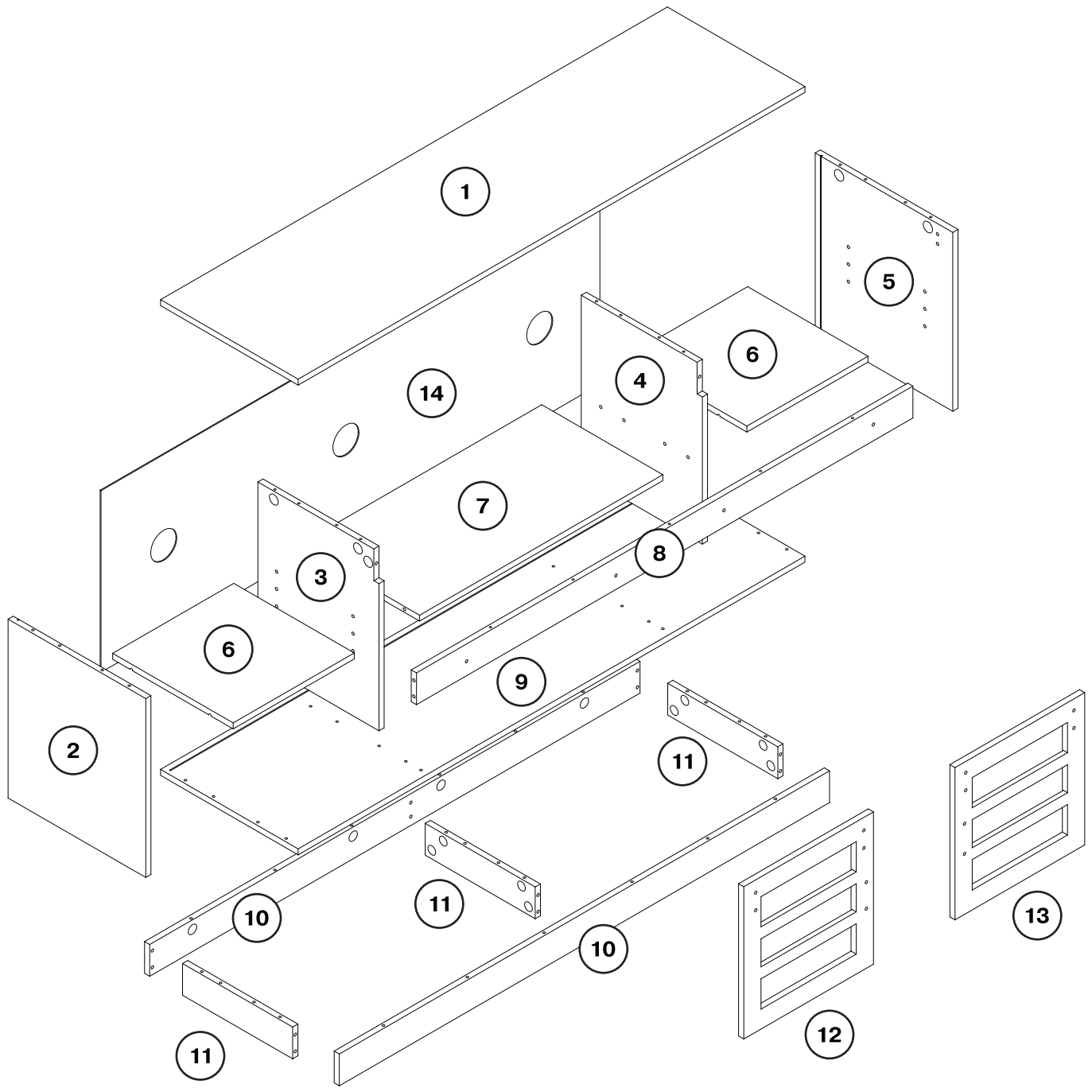
Assembly Instructions



To see more of our unique products,
visit our website at steadfurniture.com

Questions? Contact support@steadfurniture.com

Hardware Pieces		Quantity	Your Parts		Quantity	
A		Cam Bolt	39	1	Top Panel	1
B		Cam Lock	39	2	Left Outside Panel	1
C		Long Screw	8	3	Left Inside Panel	1
D		Short Screw	8	4	Right Inside Panel	1
E		Wooden Dowel	40	5	Right Outside Panel	1
F		Wheel	4	6	Side Shelf	2
G		Bolt -12mm	8	7	Middle Shelf	1
H		Spacer	4	8	Rail Panel	1
I		Bolt - 28mm	4	9	Bottom Panel	1
J		Metal Rail	1	10	Base Panel	2
K		Door Pin	2	11	Base Crossbeam	3
L		Shelf Pin	8	12	Left Door	1
M		Plastic Wedge	8	13	Right Door	1
N		Foot Pad	11	14	Back Panel	1
O		Bumper	4	<h3>What You'll Need</h3> <ul style="list-style-type: none"> A blanket or a flattened box to protect your piece during assembly. Phillips head screwdriver.  Rubber mallet. 		
P		Handle	2			
Q		Handle Bolt	4			
			<h3>Before Assembling, Remember!</h3> <ul style="list-style-type: none"> Make sure all hardware and pieces are accounted for before discarding the box. Pay close attention to all holes on each panel during assembly. Do not overtighten screws, as this may cause splitting. Use hand tools when assembling. No power tools allowed! 			

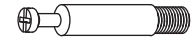


Let's Build a TV Stand!

How To Insert Cam Lock and Bolt

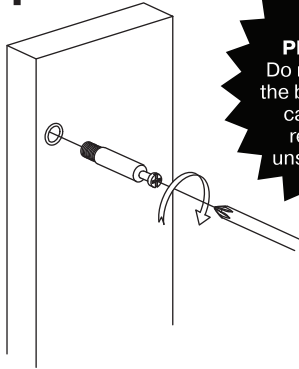


Cam Lock



Cam Bolt

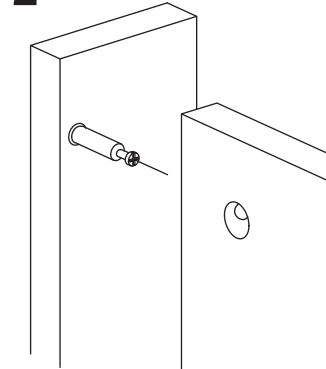
1



PLEASE NOTE
Do not over tighten the bolts as this may cause splitting, resulting in an unstable product.

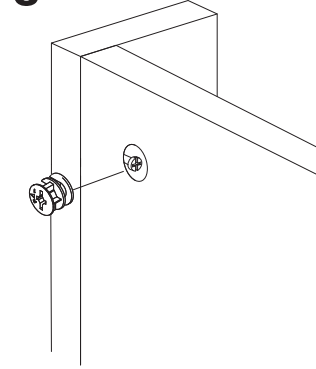
Screw Cam Bolt into the panel until the plastic sleeve touches the wood panel.

2



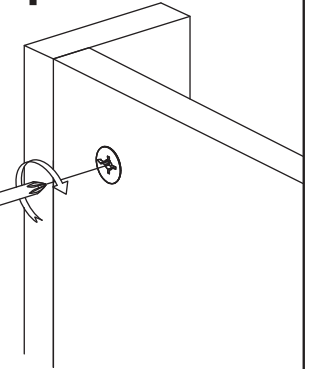
Insert Cam Bolt into the bolt hole of the adjoining panel.

3



Insert Cam Lock with arrow facing bolt.




4

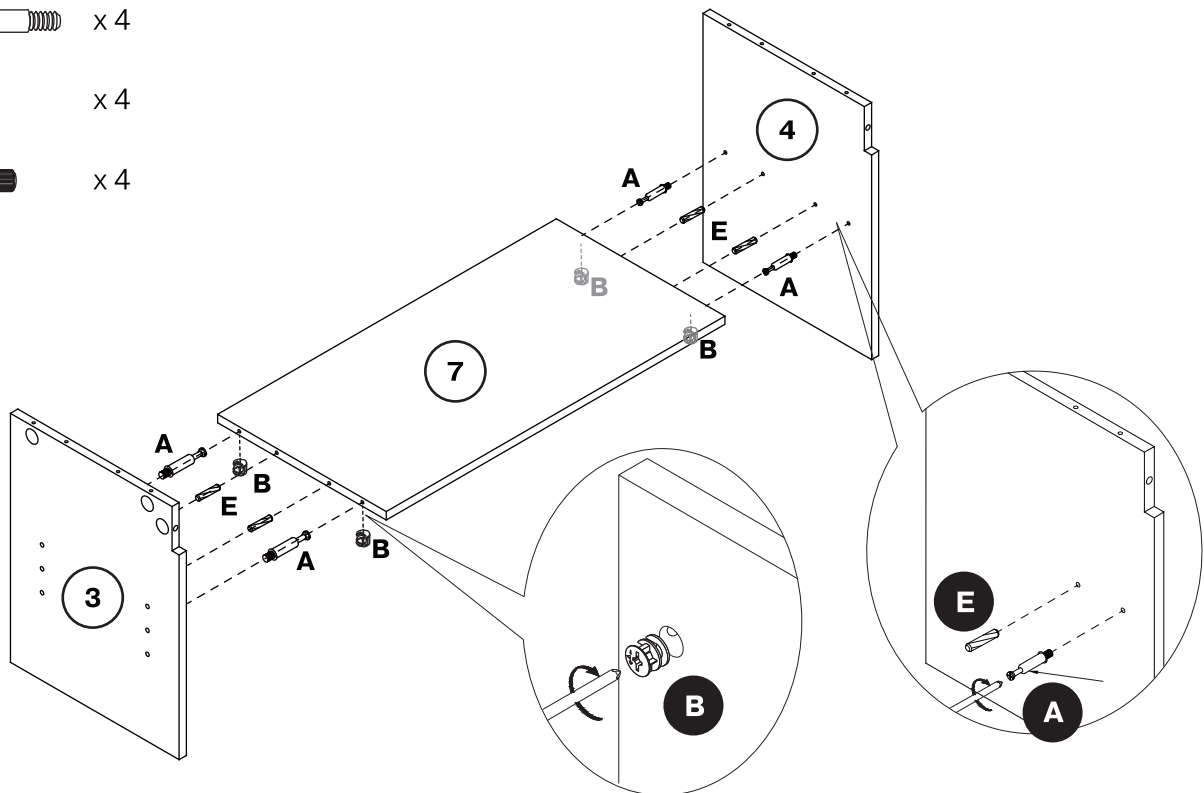


Gently turn Cam Lock 180° clockwise to lock into position.

Step 1

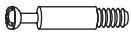

Insert Wooden Dowels (E) and screw Cam Bolts (A) into the Left and Right Inside Panels (3,4) using a Phillips screwdriver. Put together the Middle Shelf (7) and the Left and Right Inside Panels. Insert Cam Locks (B) and turn them clockwise with a Phillips screwdriver to tighten.

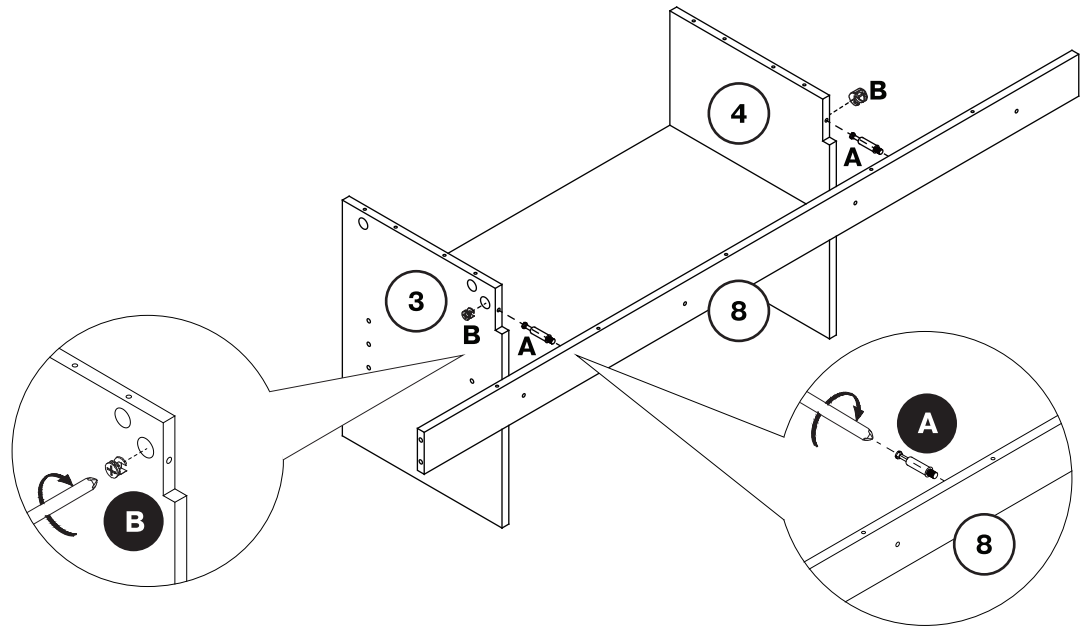
- A**  x 4
- B**  x 4
- E**  x 4



Step 2




Screw Cam Bolts (A) into the Rail Panel (8). Put together the Rail Panel and the Left and Right Inside Panels (3,4). Insert Cam Locks (B) and turn them clockwise to tighten.

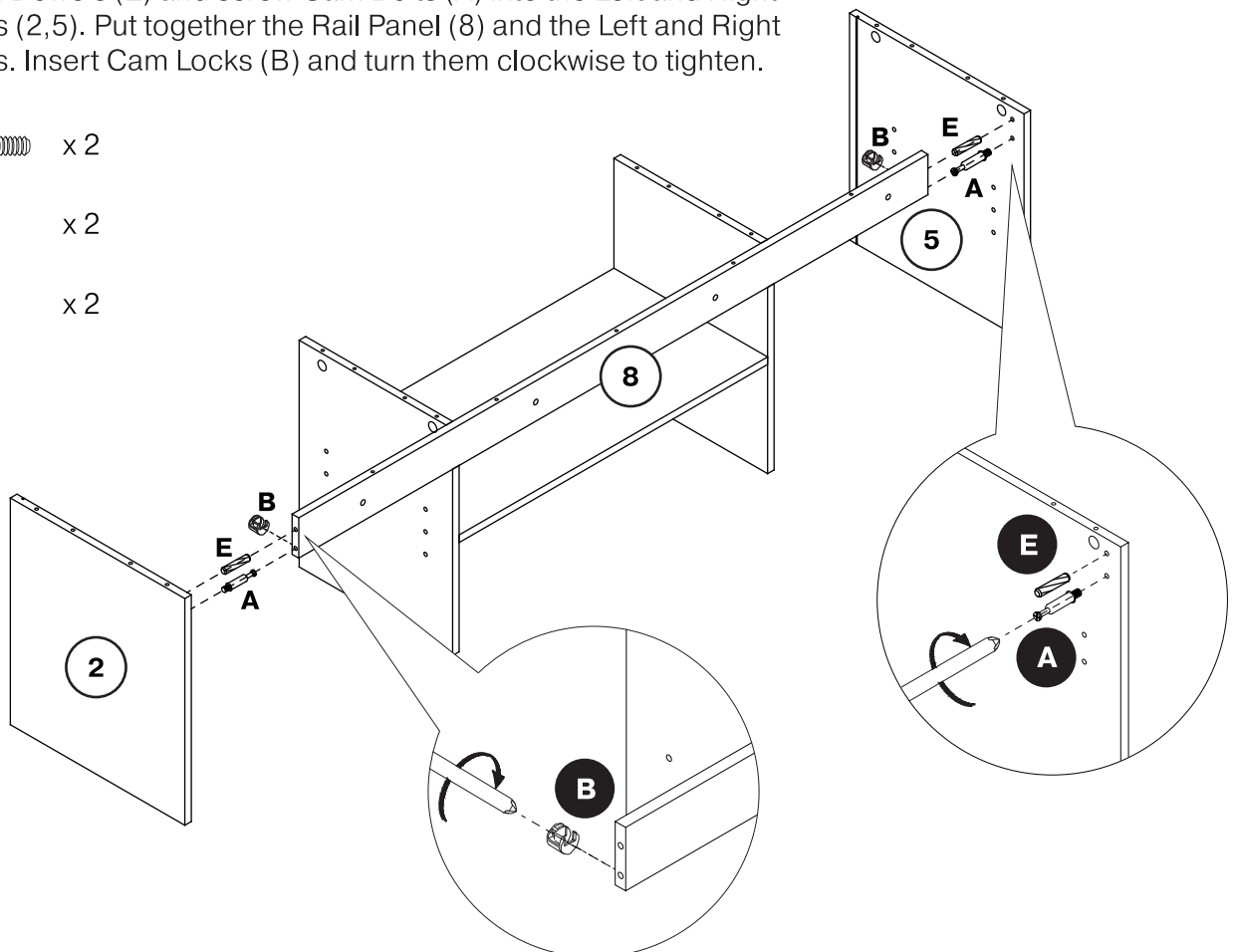
- A**  x 2
- B**  x 2



Step 3

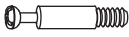


Insert Wooden Dowels (E) and screw Cam Bolts (A) into the Left and Right Outside Panels (2,5). Put together the Rail Panel (8) and the Left and Right Outside Panels. Insert Cam Locks (B) and turn them clockwise to tighten.

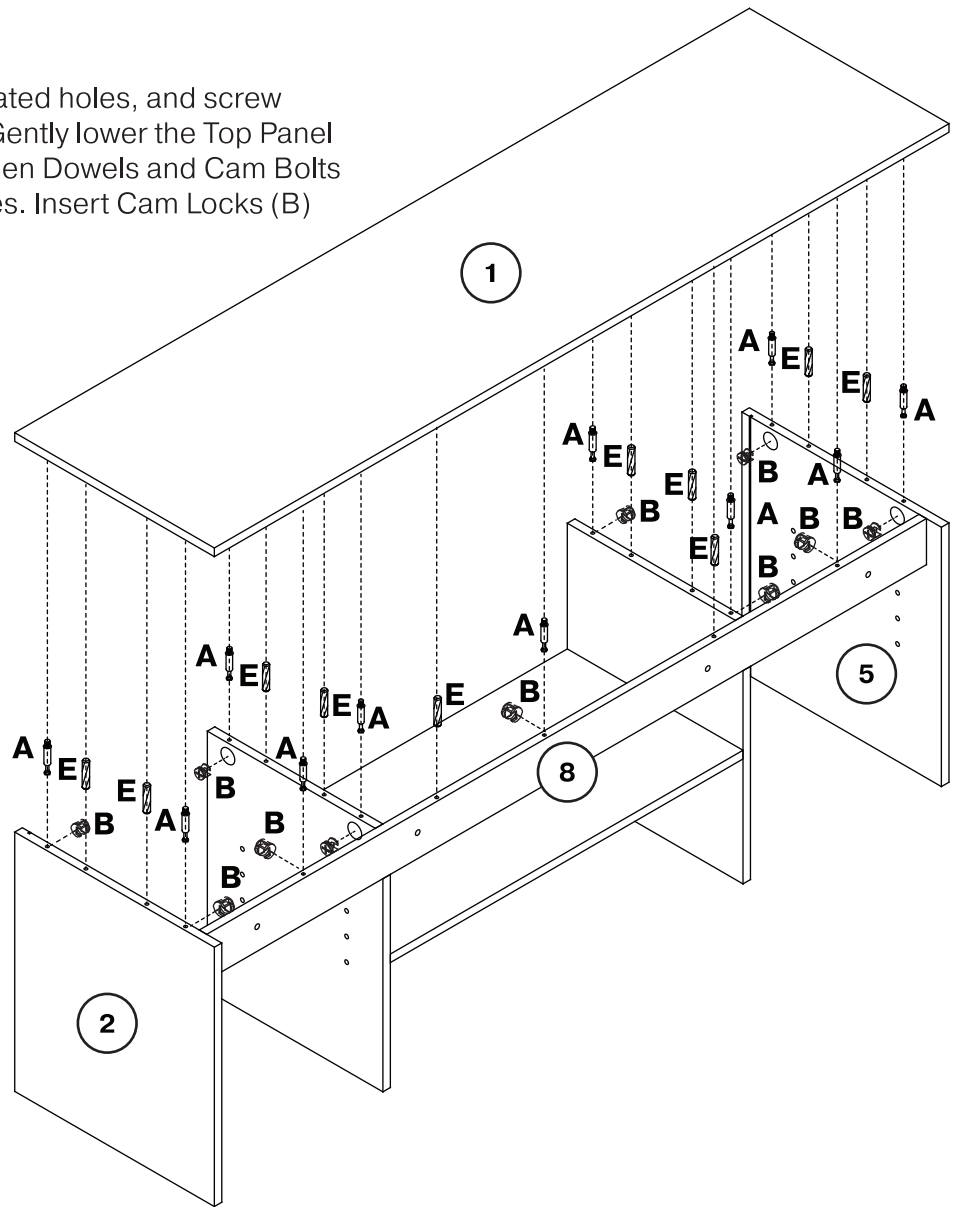
- A**  x 2
- B**  x 2
- E**  x 2



Step 4

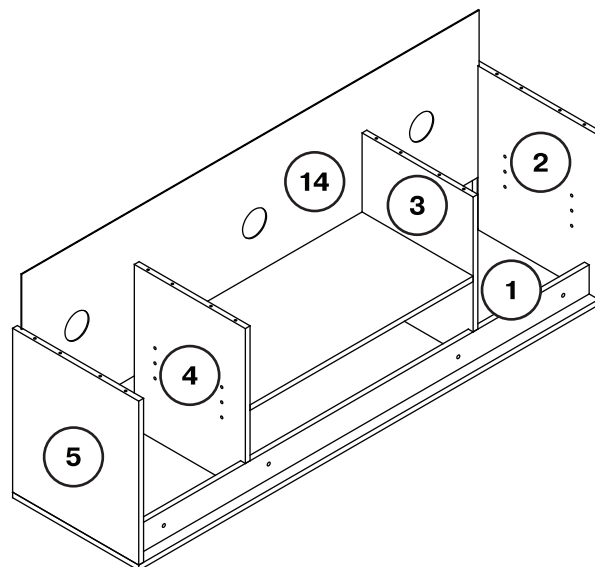
Insert Wooden Dowels (E) in the indicated holes, and screw Cam Bolts (A) into the Top Panel (1). Gently lower the Top Panel into place and make sure all the Wooden Dowels and Cam Bolts are fully seated in their respective holes. Insert Cam Locks (B) and turn them clockwise to tighten.

- A**  x 11
- B**  x 11
- E**  x 10



Step 5

Gently flip the piece upside down, so the Top Panel (1) rests on a soft surface. Slide the Back Panel (14) into the grooves in the Left and Right Outside Panels (2,5) and Top Panel (1).

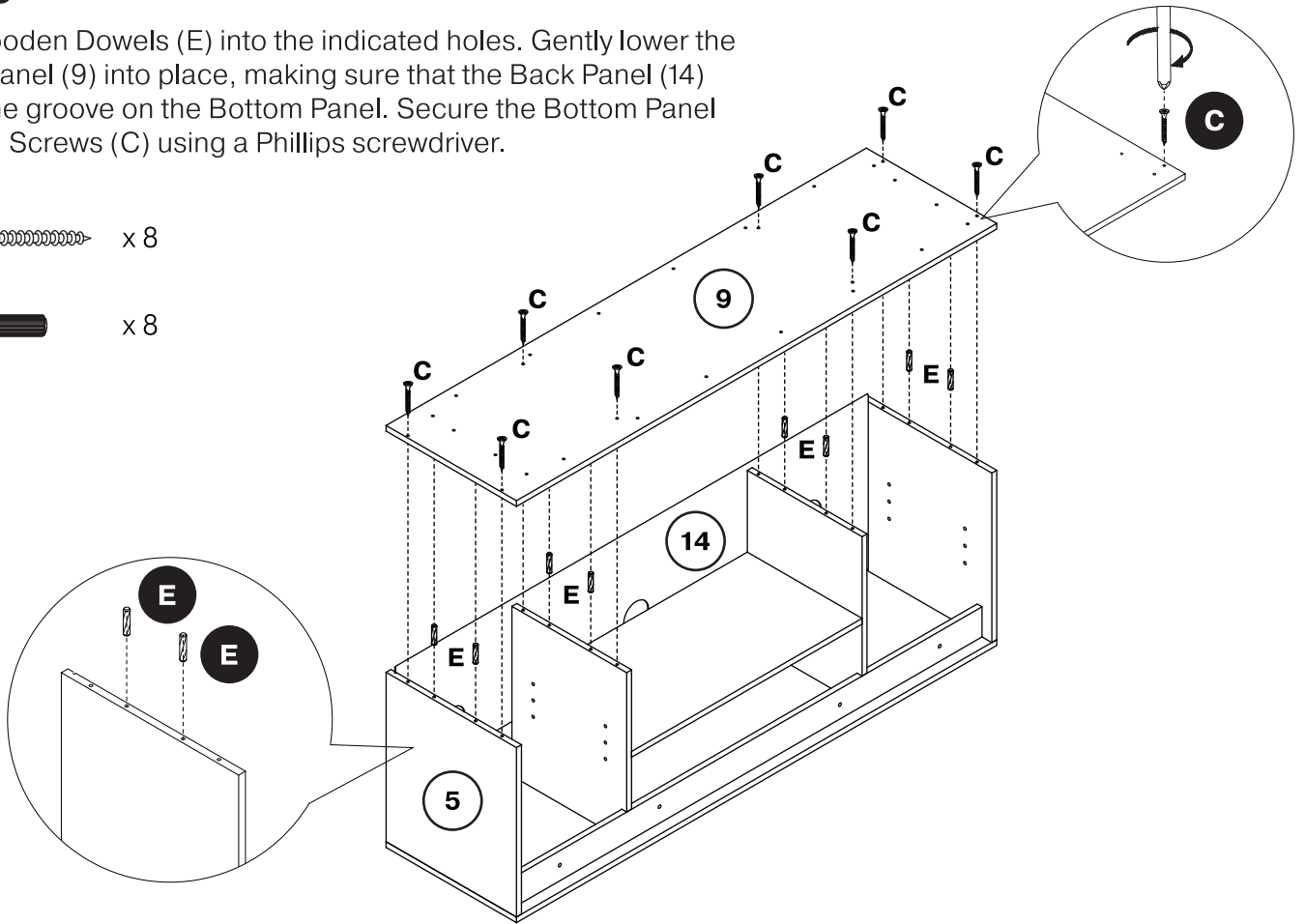


Step 6

Insert Wooden Dowels (E) into the indicated holes. Gently lower the Bottom Panel (9) into place, making sure that the Back Panel (14) fits into the groove on the Bottom Panel. Secure the Bottom Panel with Long Screws (C) using a Phillips screwdriver.

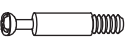
C  x 8

E  x 8



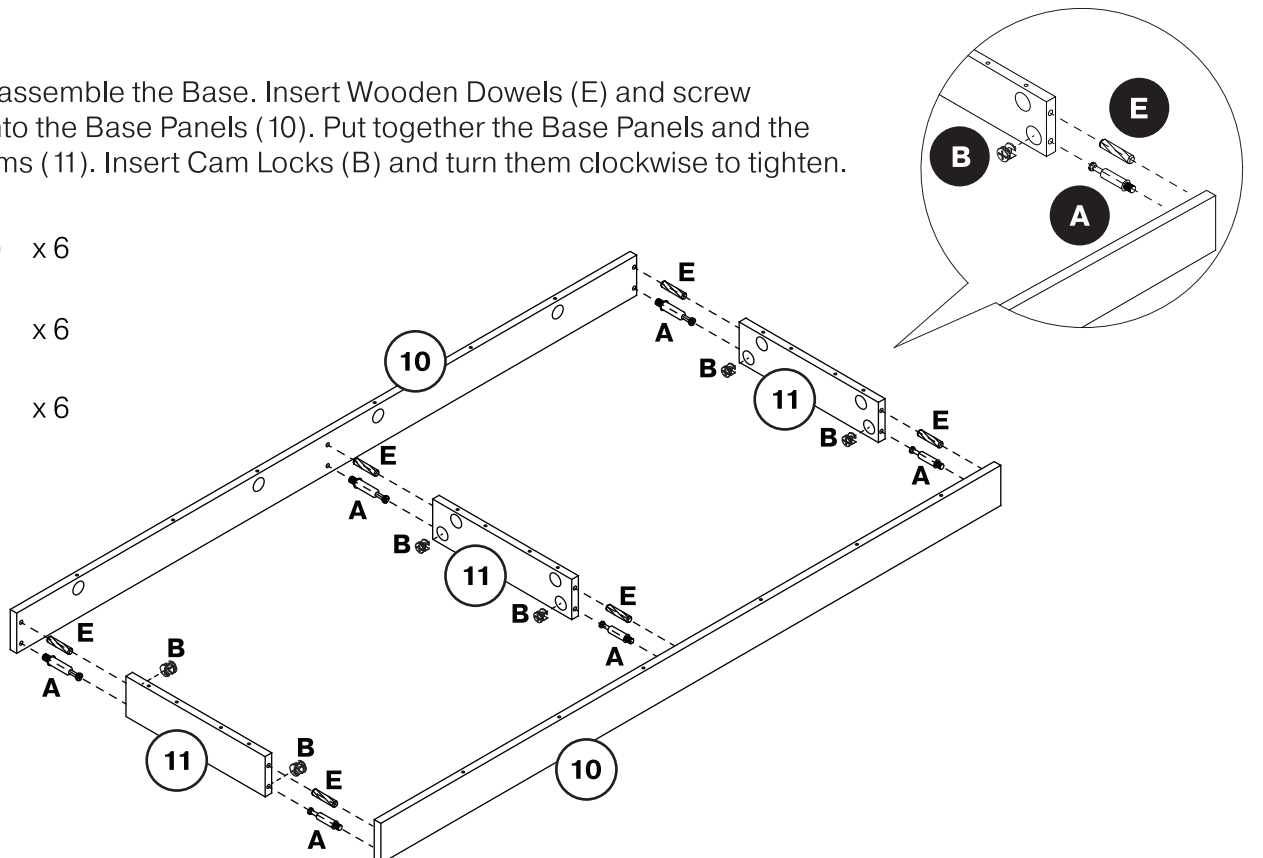
Step 7

Now it's time to assemble the Base. Insert Wooden Dowels (E) and screw Cam Bolts (A) into the Base Panels (10). Put together the Base Panels and the Base Crossbeams (11). Insert Cam Locks (B) and turn them clockwise to tighten.

A  x 6

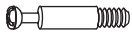


B  x 6

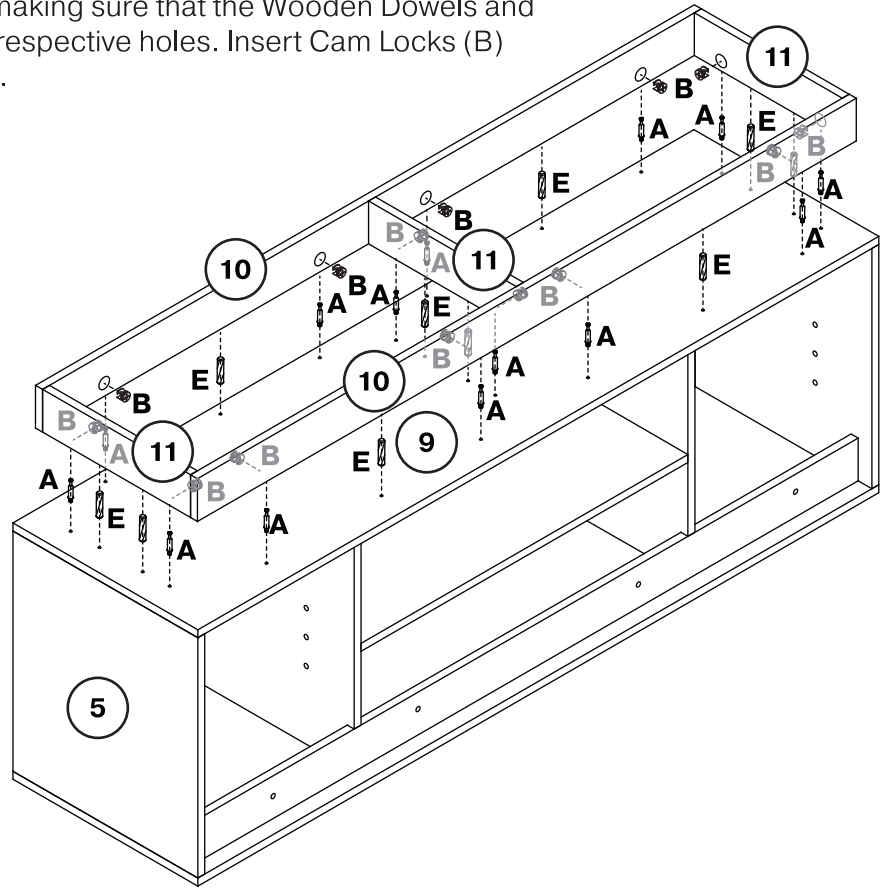
E  x 6



Step 8




Insert Wooden Dowels (E) and screw Cam Bolts (A) into the Bottom Panel (9). Gently lower the Base into place, making sure that the Wooden Dowels and Cam Bolts are fully seated in their respective holes. Insert Cam Locks (B) and turn them clockwise to tighten.

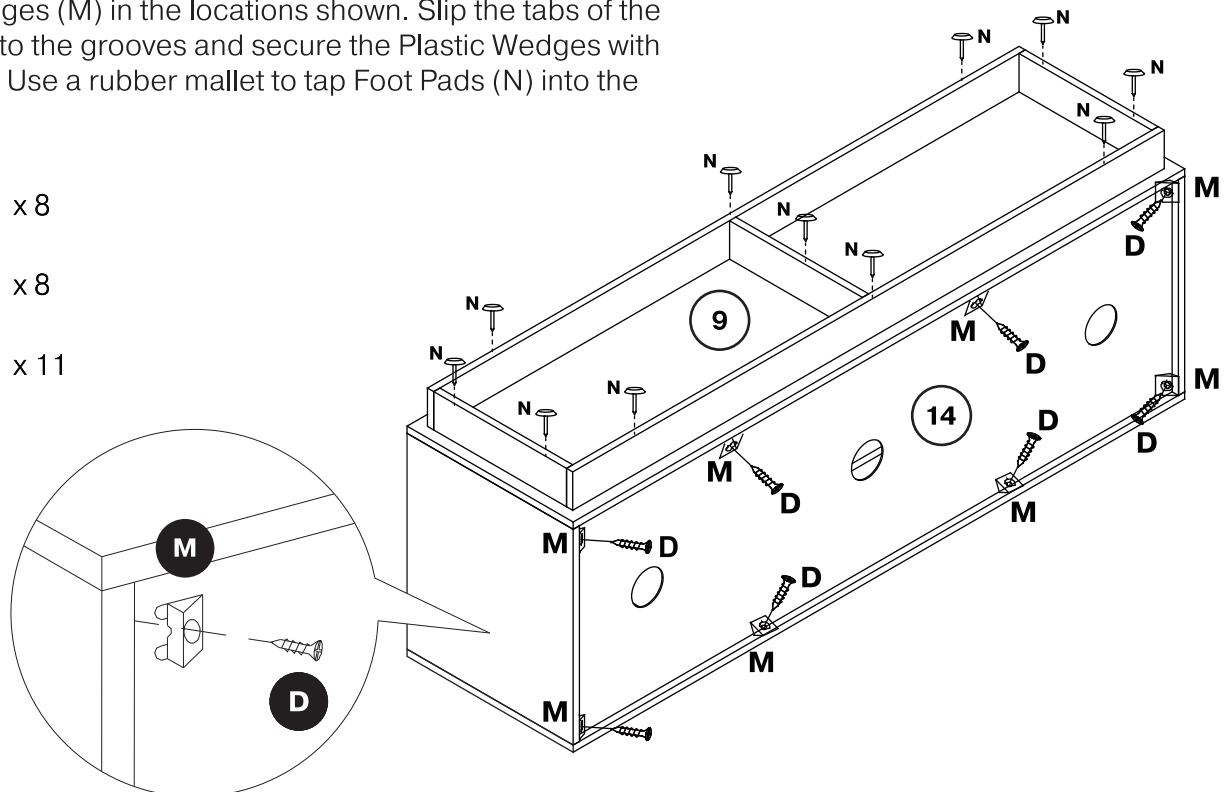
- A**  x 14
- B**  x 14
- E**  x 10



Step 9


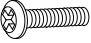


Place Plastic Wedges (M) in the locations shown. Slip the tabs of the Plastic Wedges into the grooves and secure the Plastic Wedges with Short Screws (D). Use a rubber mallet to tap Foot Pads (N) into the locations shown.

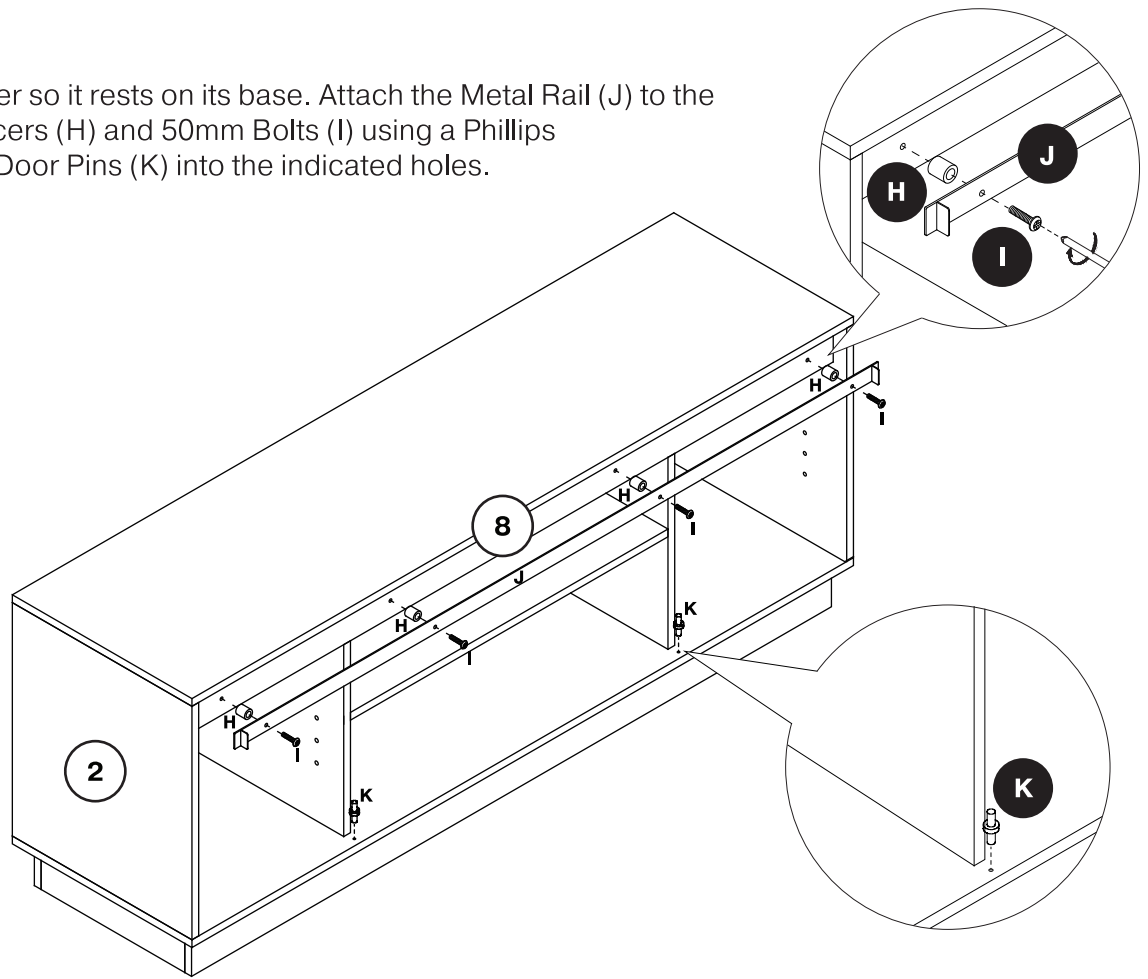
- D**  x 8
- M**  x 8
- N**  x 11



Step 10

Gently flip the piece over so it rests on its base. Attach the Metal Rail (J) to the Rail Panel (8) with Spacers (H) and 50mm Bolts (I) using a Phillips screwdriver. Press the Door Pins (K) into the indicated holes.

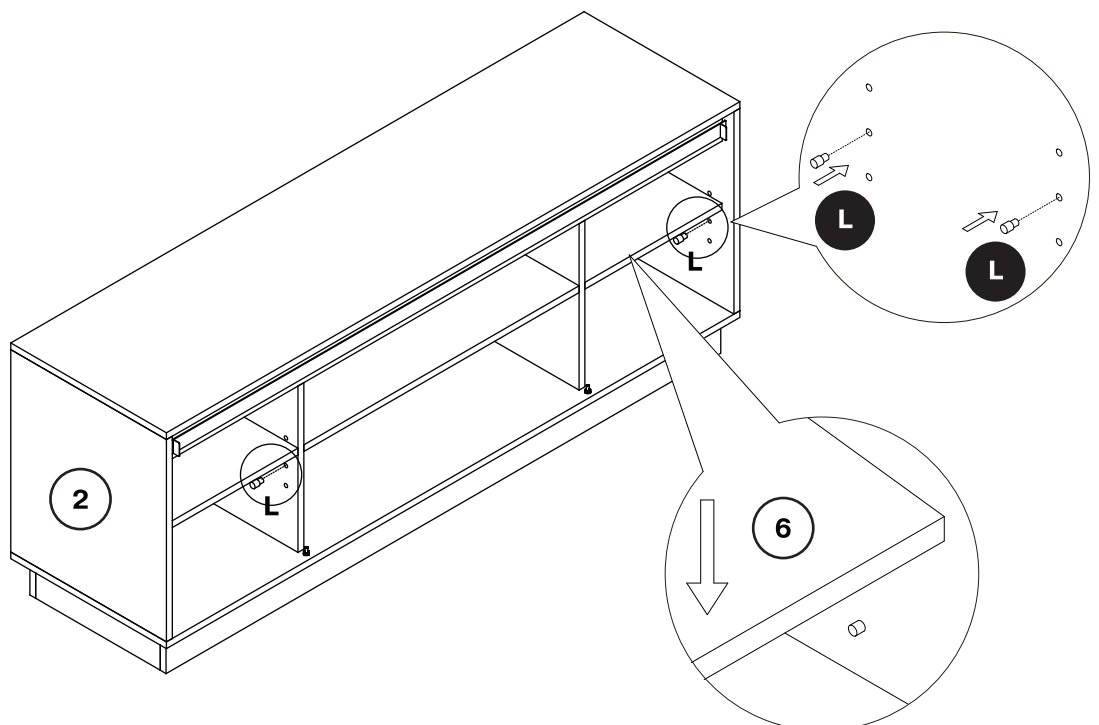
- H**  x 4
- I**  x 4
- J**  x 1
- K**  x 2



Step 11

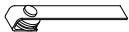
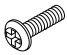
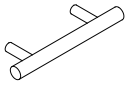

Insert Shelf Pins (L) into the indicated holes, and place Side Shelves (6) onto the Pins.

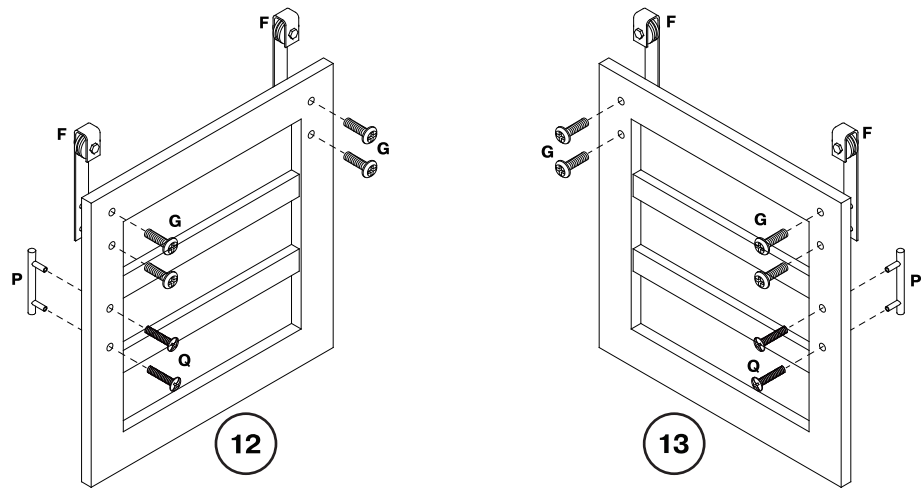
- L**  x 8



Step 12

Attach Wheels (F) to the Left and Right Doors (12, 13) with 10mm Bolts (G) using a Phillips screwdriver.
Attach Handles (P) to the Doors with Handle Bolts (Q) using a Phillips screwdriver.

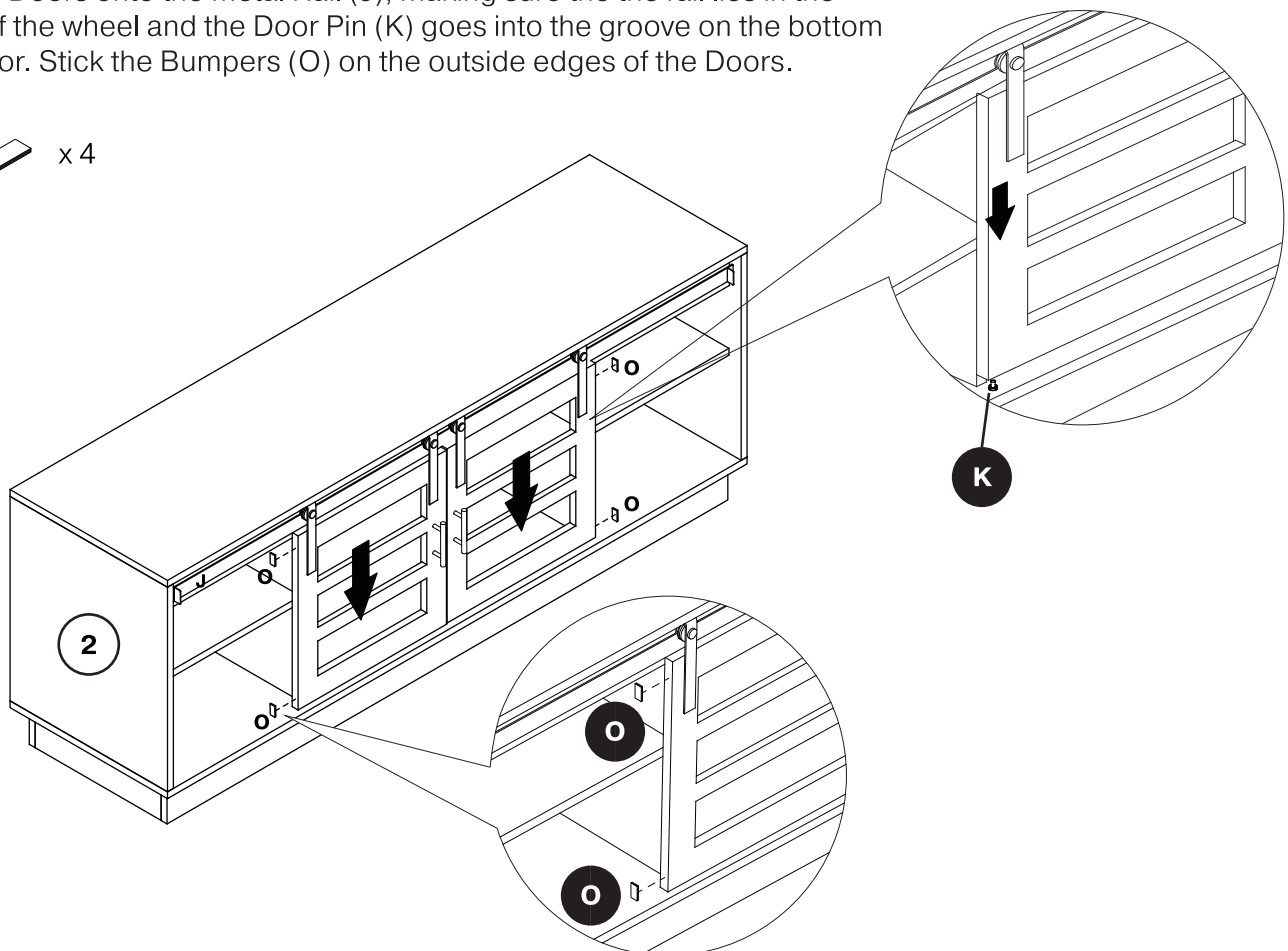
- F**  x 4
- G**  x 8
- P**  x 2
- Q**  x 4



Step 13

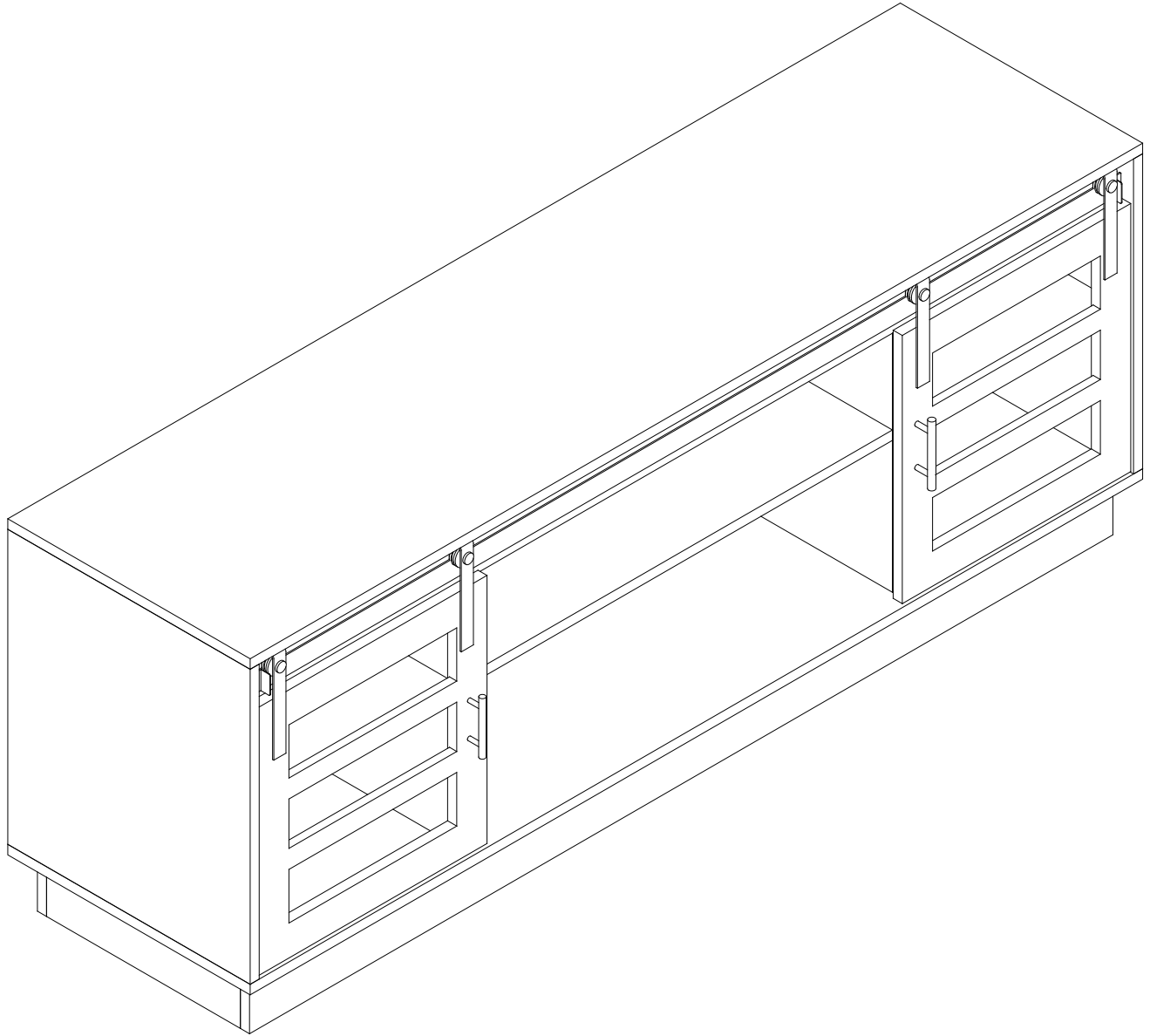
Hang the Doors onto the Metal Rail (J), making sure the the rail lies in the groove of the wheel and the Door Pin (K) goes into the groove on the bottom of the door. Stick the Bumpers (O) on the outside edges of the Doors.

- O**  x 4



Finished

Place your TV on top, then kick back and relax while tuning in to your favorite show!



To see more of our unique products,
visit our website at steadfurniture.com

Questions? Contact support@steadfurniture.com