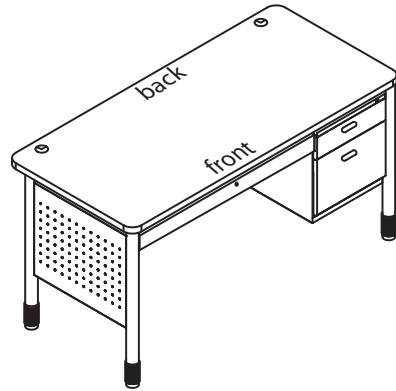
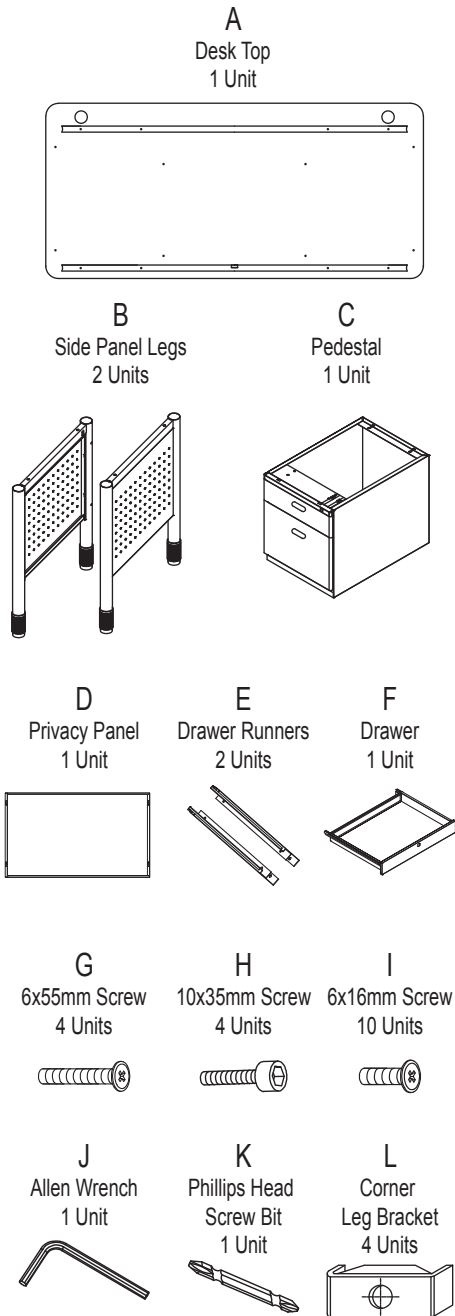


Model NOR-66349-PK Single Pedestal Desk

Parts Listing



Assembly Instructions

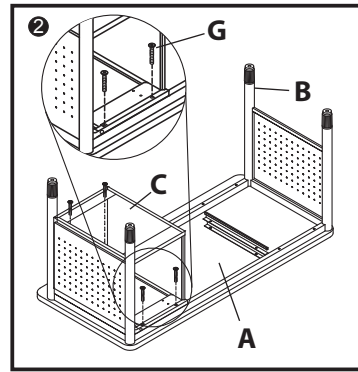
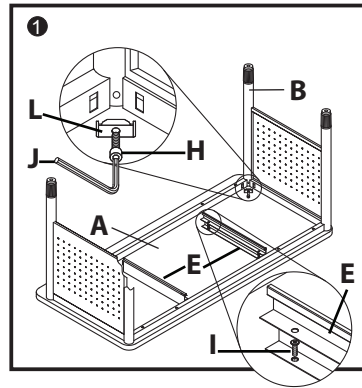
Tools Needed: Phillips Head Screwdriver

Tools Supplied: Allen Wrench, Phillips Head Screw Bit

Please read all instructions before assembly. Assembly will require 2 people and should be done in place. Be sure to remove the Pedestal drawers prior to installation.

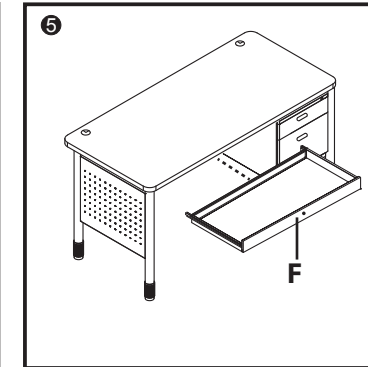
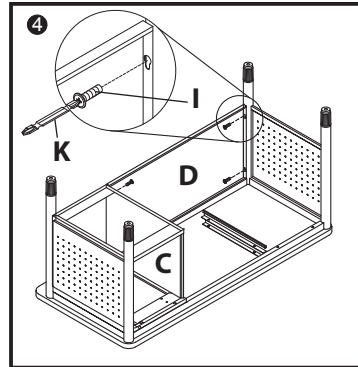
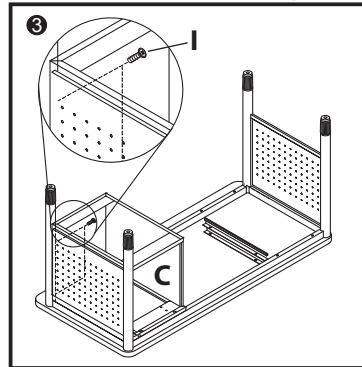
Step 1: Align Side Panel Legs (B) with the support rail on the underside of the Desk Top (A). Place Corner Leg Bracket (L) in holes on support rail, and insert 10x35mm Screw (H) through bracket and into legs. Tighten using Allen Wrench (J). Align Drawer Runners (E) with holes in underside of the Desk Top (A). Attach using 6x16mm Screws (I) and Phillips Head Screw Bit (K).

Step 2: Attach Pedestal (C) to underside of Desk Top (A) by aligning screw holes in Pedestals with holes in Desk Top, and inserting 6x55mm Screws (G) to secure, one in each corner of the pedestal. Tighten using Phillips Head Screw Bit (K) or screwdriver.



Step 3: Attach Pedestal (C) to Side Panel Legs (B) by inserting 6x16mm Screws (I), two in each leg, through pedestal wall and into legs. Tighten using Phillips Head Screw Bit (K) or screwdriver.

Step 4: Attach Privacy Panel (D) to Pedestal (C) by inserting two 6x16mm Screws (I) through side of Privacy Panel (D) and into the side of Pedestal (C). Attach Privacy Panel (D) to Side Panel Legs (B) by inserting two 6x16mm Screws (I) through other side of Privacy Panel (D) and into the corresponding hole on the inside of the Side Panel Leg (B). Tighten using Phillips Head Screw Bit (K).



Step 5: Flip the desk right side up using at least two people. Insert the Drawer (F) backwards, as shown, aligning it with the Drawer Runners (E). Push Drawer (F) all the way in to secure.

Note: At this time you can insert drawers back into the Pedestal (C) and push all the way in to secure.

Assembly Notes:

During assembly, loosely tighten screws only. When all screws are in place, you may then tighten all screws completely.

CAUTION:

1. Do not use this desk as a step ladder.
2. Check for loose screws and tighten them every 6 months.

Learniture

3736 Regent Avenue
Cincinnati, OH 45212
800.260.2776 schooloutfitters.com