

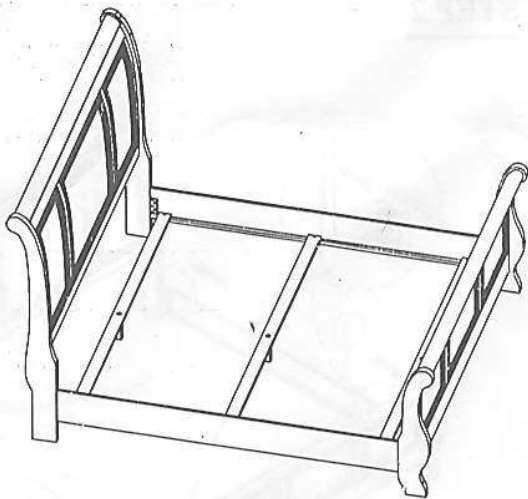
# ASSEMBLY INSTRUCTIONS

GROUP NO.: F9203Q/F9289Q

DESCRIPTION: QUEEN BED

**Caution:** Please read instructions thoroughly before unpacking assembly parts. Sharp, exposed staple tips can cause injury, therefore, for your protection, please remove any exposed staple used in packing.

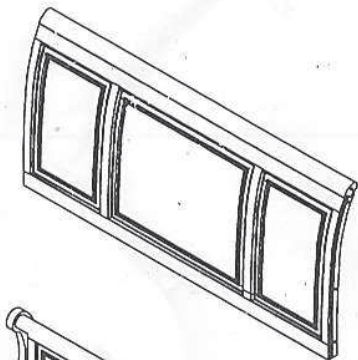
1. We recommend that you should assemble this product with the assistance of another person; this will make assembly easier, and will help to eliminate damage to the product or injury to persons during assembly.
2. Be sure to check all packing materials carefully for small parts that may have come loose inside the carton during shipment.
3. please do not over tighten screws or bolts.
4. Please put all parts on a non-abrasive floor before assembly, and follow the assembly steps to assemble your newly purchased product correctly and efficiently.



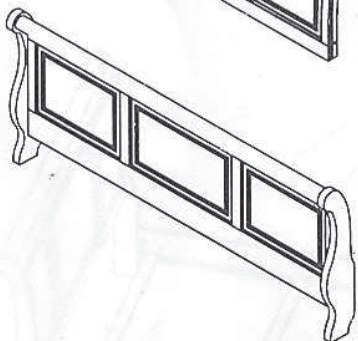
## HARDWARE PACK

NO.	DESCRIPTION	SKETCH	QTY
a	ALLEN BOLT (Ø5/16*50mmL)		6PCS
b	LOCK WASHER (Ø5/16)		6PCS
c	FLAT WASHER (Ø5/6)		6PCS
d	ALLEN KEY (4mm)		1PC
e	SCREWS Ø8*Ø4*25mm		6PCS

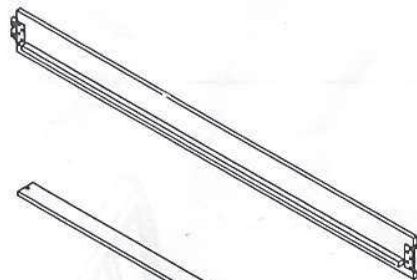
## PART LISTS



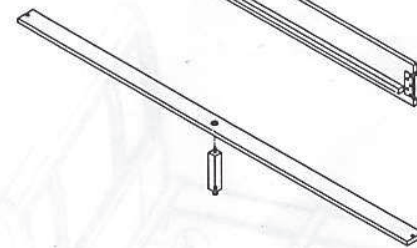
① \* 1pc



② \* 1pc



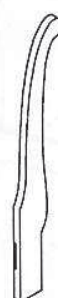
③ \* 2pcs



④ \* 3pcs



⑤ \* 1pc



⑥ \* 1pc

# ASSEMBLY INSTRUCTIONS

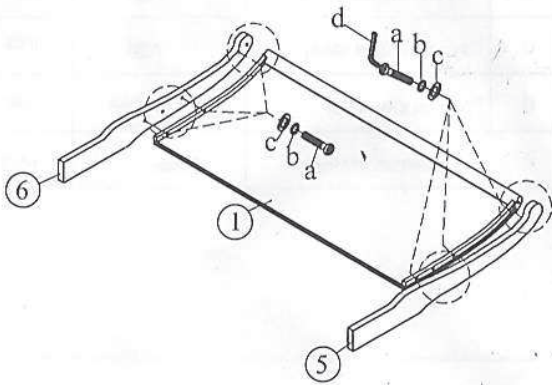
GROUP NO.: F9203Q/F9289Q

DESCRIPTION: QUEEN BED

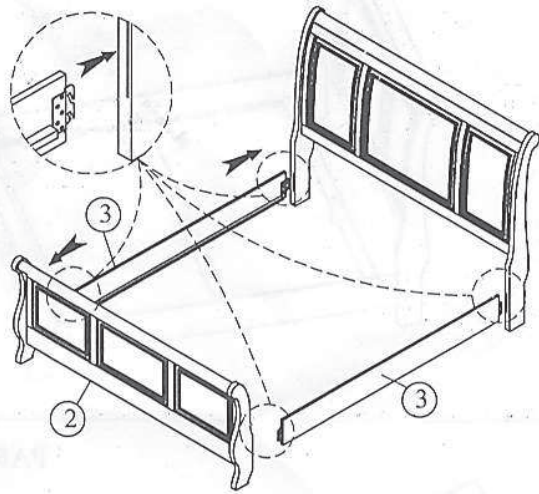
**Caution:** Please read instructions thoroughly before unpacking assembly parts. Sharp, exposed staple tips can cause injury, therefore, for your protection, please remove any exposed staple used in packing.

1. We recommend that you should assemble this product with the assistance of another person; this will make assembly easier, and will help to eliminate damage to the product or injury to persons during assembly.
2. Be sure to check all packing materials carefully for small parts that may have come loose inside the carton during shipment.
3. please do not over tighten screws or bolts.
4. Please put all parts on a non-abrasive floor before assembly, and follow the assembly steps to assemble your newly purchased product correctly and efficiently.

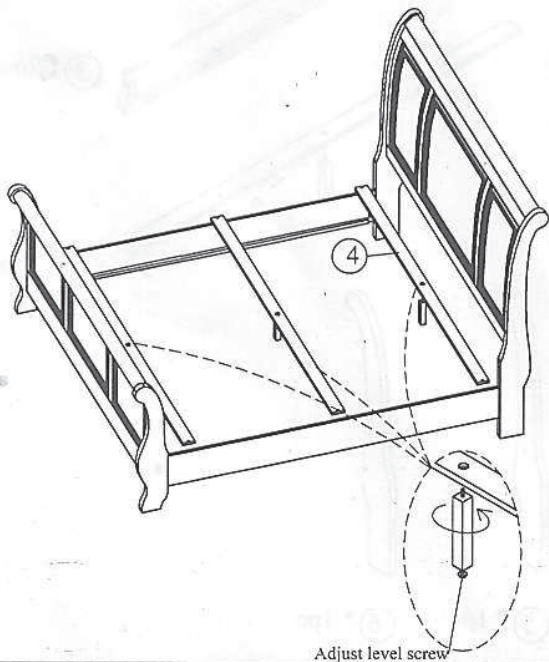
## STEP 1



## STEP 2



## STEP 3



## STEP 4

