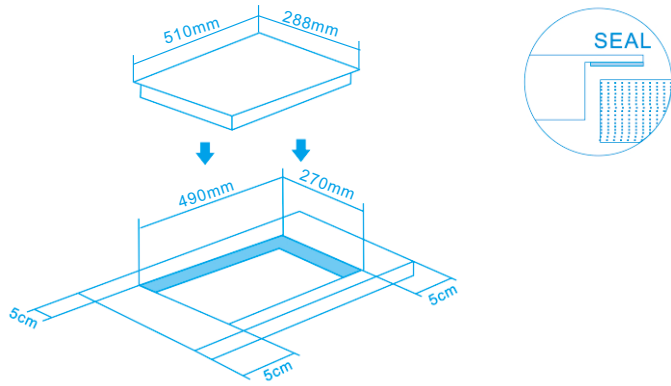


◇ INSTALLATION

1). Drill hole on the table surface according to the size shown in the drawing .for the purpose of installation and use, a minimum of 50 mm space shall be preserved around the hole.

Be sure the thickness of the table surface is at least 30mm, please select heat-resistant table material to avoid larger deformation caused by the heat radiation from the cooker.

As shown in the Figure 1



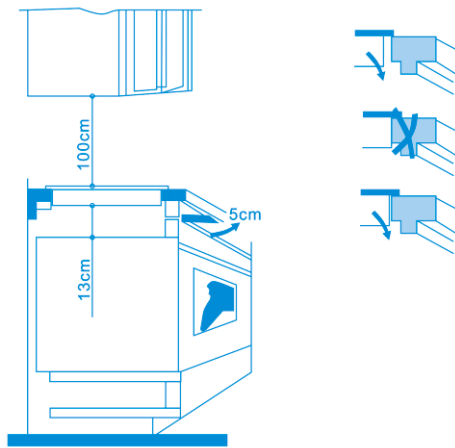
Please follow the actual length and width direction of the machine.

2). Owing to the high temperature inside the infrared cooker, make sure good ventilation is provided to assure its normal operation.

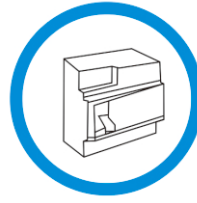
As shown in Figure 2

Attention:

1. The electric hob is recommended to be installed by professional. Please never conduct the operation by yourself.
2. The wall and heating area above the table surface shall withstand heat.
3. To avoid danger the ceramic cooker hob must be installed into the cabinet before use.
4. Applicable cabinet material: wood, marble resin etc.



◇ SAFETY REMINDING



A dedicated power protection air switch must be incorporated in the fixed wiring in accordance with the wiring rules.



Never use the ceramic cooker hob in high temperature environment.



Never wash the ceramic cooker hob with water directly. Steam cleaner is not to be used.



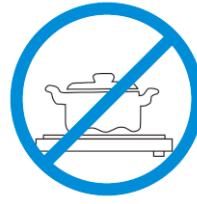
Never have the cooker to work without food in pot, otherwise its operational performance may be affected and danger may happen.



For sealed foods such as canned goods, please do not heat them before opening their covers so as to avoid any dangers of explosion due to heating expansion.



The appliance is not intended to be used by children or handicapped persons, unless they have been supervised by a responsible person to ensure they can use it safely.



Do not place rough or uneven appliances, which may damage the ceramic surface.



If the surface is cracked, pull out the plug to avoid the possibility of electric shock.



Do not put any detergents or flammable materials in the equipment installed under the ceramic cooker hob.

USER MANUAL

◇ SAFETY REMINDING



Because the hob can generate very high temperature, please use a pot resistant to a temperature of over 200.



After being used the corresponding heating zone of the ceramic cooker is still hot. Never touch the ceramic cooker surface to avoid burn.



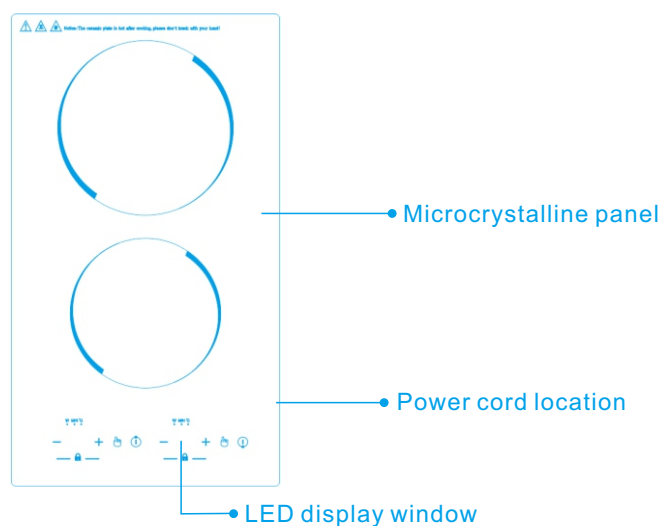
If the supply is damaged, it must be replaced by the manufacture, its service agent or similarly qualified persons in order to avoid a hazard.

◇ CLEANING AND MAINTENANCE

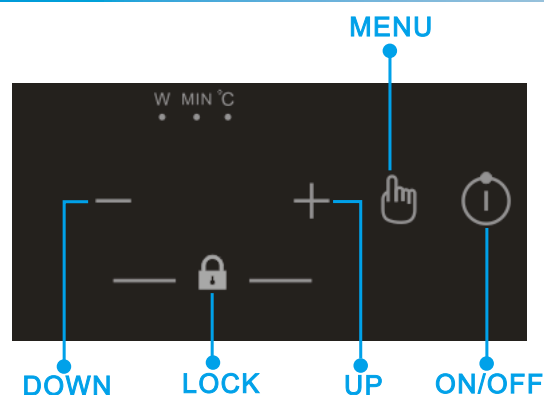
1. Please shut off the power and pull out the plug before cleaning of the appliance.
2. Clean the appliance until it cools down completely.
3. To remove dirt, please select litmusless detergent.
4. After removing dirt, please use neat wet cloth to clean the unit..
5. Do not clean by water directly, water gets inside may cause malfunction.
6. Keep the ceramic plate and pan clean before cook, otherwise, dirt after charring is very difficult to clean and the plate may get discoloration
7. You may clean air vent/air entry's dirt by vacuum cleaner to suck up, if there is dirt with oil, add a little litmusless detergent with toothbrush to clean.
8. Don't use caustic impregnates to clean. It may damage the cooker by chemical reaction. Do not use benzene, scrubbing brush or polishing powder to clean the induction cooker.

The information in this handbook is correct at the time of printing. our company is responsible for recising and updating this handbook. However we reserve the right to modify and update our products and handbook without notice. This handbook contains sketches, which are to be used as a reference only. Please use common sense if these sketches is not exactly your situation or products.

◇ CONTROL PANEL



◇ SCHEMATIC DIAGRAM OF THE CONTROL PANEL



◇ INSTRUCTION

1. Preparing before use:

Connect the stove with power supply, All LED lights will shine, and off. Then a dot of LED lights. Put the pot in the center of the heating zone.

2. Operation instruction

Touch "I", the stove will be in stand by mode, with the indicator shows "----"

Touch "W" for the first time, "W" LED light on, The indicator displays "P9", touch "+" "-" to adjust power from P1 to P9

Touch "T" for the second time, "T" LED light on, the indicator displays "-t-", touch "+" "-" to adjust from 0 to 120 minutes

Note: touch + the time will increase 5min, and - will decrease 1min.

Touch "C" a third time, the "C" LED light on, the indicator displays "650", touch "+" "-" to adjust temp from 80°C to 650°C. Each you adjust, it will increase/ decrease 30.

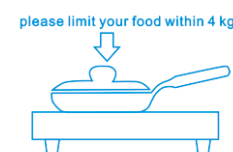
Lock function

Touch "+" "-" at the same time for 3 seconds, the indicator displays LOC.

Touch "+" "-" at the same time for 3 seconds to unlock.

◇ USABLE PANS

All flat bottom pots.
Please limit your food within 4kg.



◇ TROUBLE SHOOTING

1. If there is anything wrong with the stove, please check it as following before sending to repair.

No.	Problem	Possible causes
1	No indicator light when power "on"	1. Cable/terminal block is loose 2. Broken circuit or blown fuse 3. Power supply stopped
2	If there is "buzz" noise, and the "on/off" light flash, no heating	1. Please check if the pot is available 2. If the pot is in the centre of the ceramic plate
3	Appliance suddenly stops heating during operation	1. Air entrance or outlet blocked 2. Over-heating protection activated 3. Please check if the temperature around is too high 4. If the working time over defaulted working time, or the timer finish
4	No response for the key	Please check the plug is in right place.
5	The led display shows "E0" or such code together with alarm	1. Please check if the voltage is too low or too high. Cut off the power and restart after several minutes 2. Please check if the temperature is too high

2. Please do not open and repair the unit yourself avoid getting hurt and other risks.
3. If you fail to identify the problem, contact the after-sales service without delay.