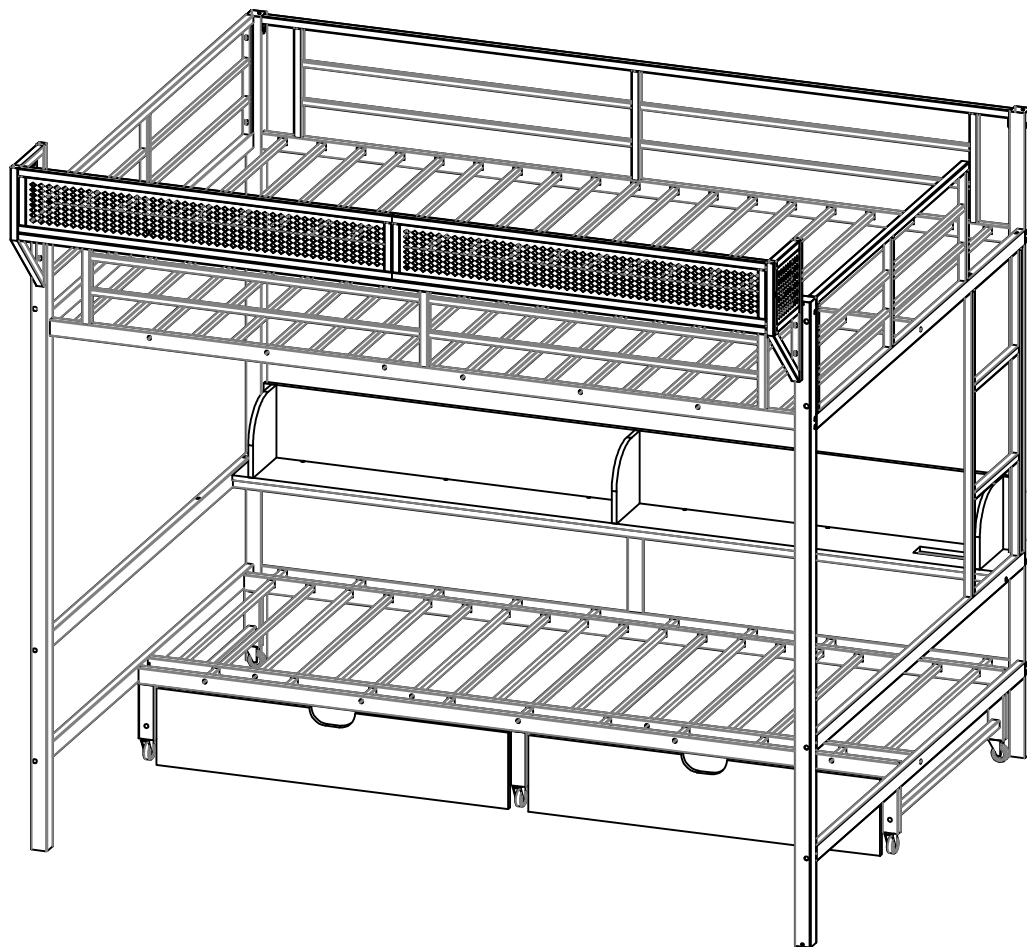


W00249

BED ASSEMBLY INSTRUCTIONS

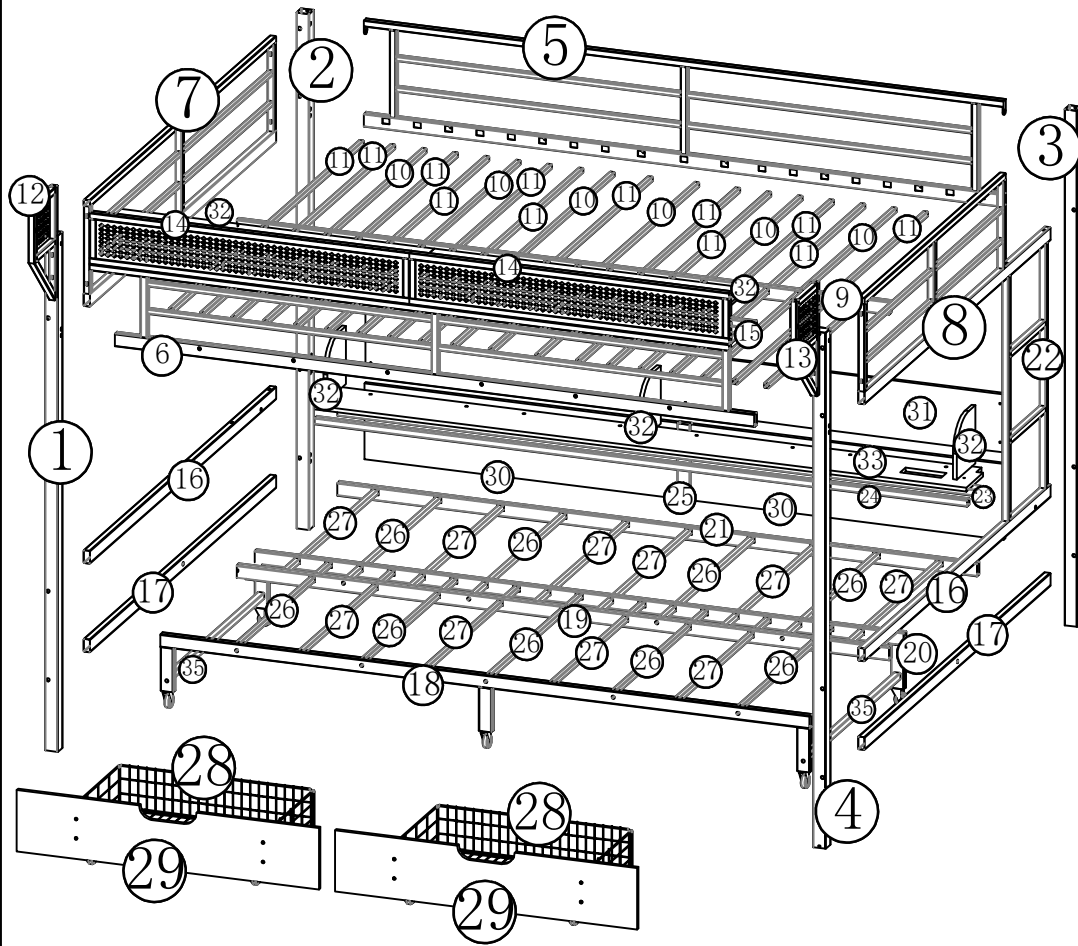


Please use the screws correctly according to the instructions. Thank you.






























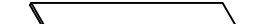
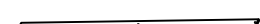


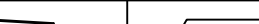

SAFETY WARNINGS AND GENERAL NOTES:

1. Follow the information on the warnings on the bunk bed end structure and on the carton. Do not remove the warning label from the bed.
 2. Always use the recommended size mattress on mattress support, or both, to help prevent the likelihood of entrapment or falls.
 3. Do not allow children under 6 years of age to use the upper bunk.
 4. Periodically check and ensure the guardrail, ladder and other components are in their proper position, free from damage, and all connectors are tight.
 5. Do not allow horseplay on or under beds.
 6. Always prohibit jumping on the bed.
 7. Prohibit more than one person on upper bunk.
 8. Always use the ladder for entering and leaving the upper bunk.
 9. Do not use substitute parts. Contact the manufacturer or dealer for replacement parts.
 10. Use of a night-tight may provide added safety precaution for a child using the upper bunk.
 11. Always use guardrails on both long sides of the upper bunk.
 12. If the bunk bed will be placed next to a wall, the guardrail that runs the full length of the bed should be placed against the wall to prevent entrapment between the bed and the wall.
The use of water or sleep flotation mattresses is prohibited.
 13. **STRANGULATION HAZARD**-Never attach or hang items to any part of the bunk bed that are not designed for use with the bed; for example, but not limited to, hooks, belts and jump ropes.
 14. Keep these instructions for future reference.
 15. We recommend assembling your bunk bed on the shipping carton to protect your floor or carpet.
 16. Be certain all staples are out of the box before beginning assembly on the shipping carton.
 17. **USE ONLY MATTRESSES WHICH ARE AS THE TABLE BELOW ON UPPER AND ON LOWER BUNKS.**
- | Down bed | | | |
|---------------------------------------|---------|---------|-----------|
| Mattress type | Length | Width | Thickness |
| FULL Standard | 74"-75" | 53"-54" | 8" |
| Up bed (bunk bed and tribed included) | | | |
| Mattress size | Length | Width | Thickness |
| FULL Standard | 74"-75" | 53"-54" | 6" max |
18. **SURFACE OF MATTRESS MUST BE AT LEAST 5"(127MM) BELOW THE UPPER EDGE OF GUARDRAILS.**
 19. Replacement Parts:
Replacement Parts, including additional guardrails, may be obtained from any of our (Shenzhen Yuefeng Zhiqi Technology Co., Ltd) dealers.








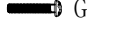









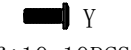
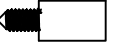
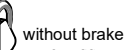



Bed parts view



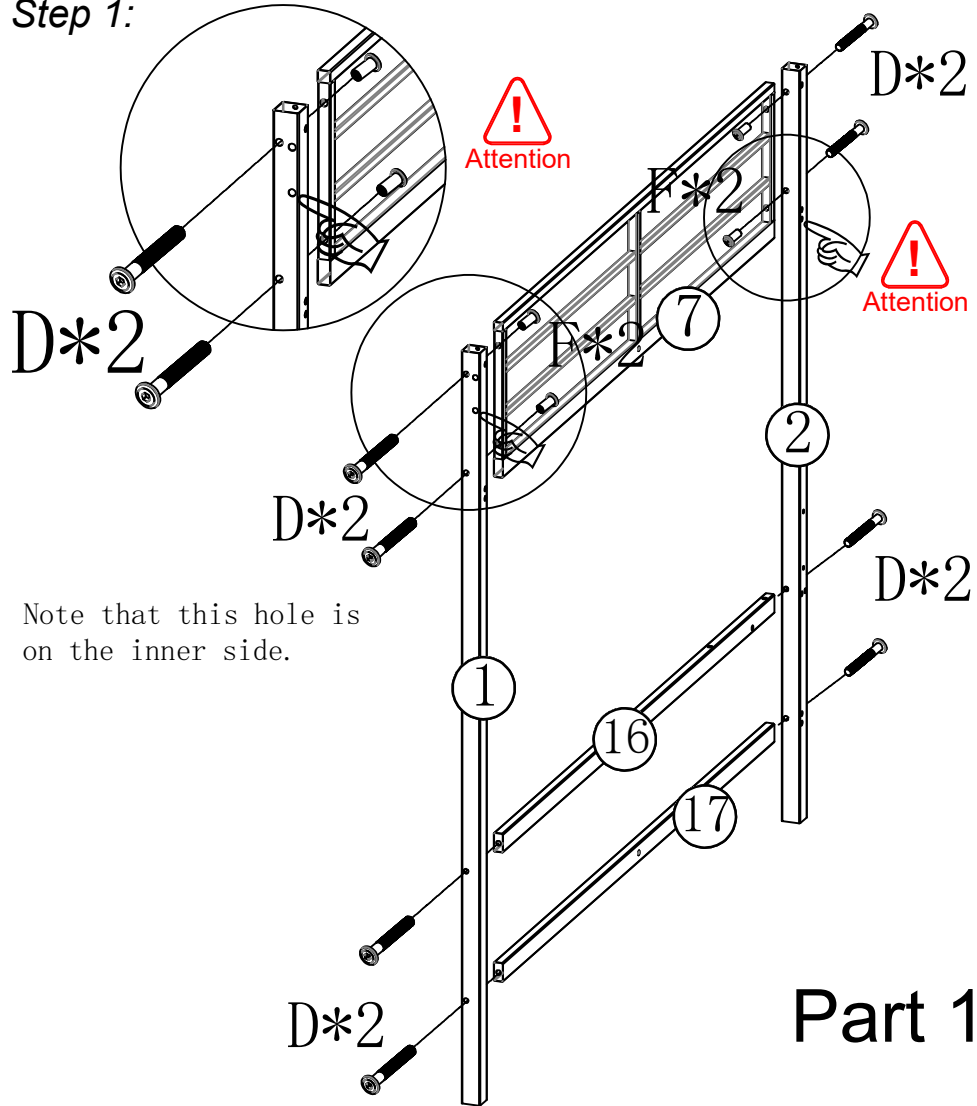
Part List

 1-1pcs	 2-1pcs	 3-1pcs	 4-1pcs
 5-1pcs	 6-1pcs	 7-1pcs	 8-1pcs
 9-1pcs	 10-6pcs	 11-13pcs	 12-1pcs
 13-1pcs	 14-2pcs	 15-1pcs	 16-2pcs
 17-2pcs	 18-1pcs	 19-1pcs	 20-1pcs
 21-1pcs	 22-1pcs	 23-1pcs	 24-1pcs
 25-1pcs	 26-9pcs	 27-10pcs	 28-2pcs
 29-2pcs	 30-2pcs	 31-1pcs	 32-3pcs
 33-1pcs		 34-2pcs	 35-2pcs

Part List

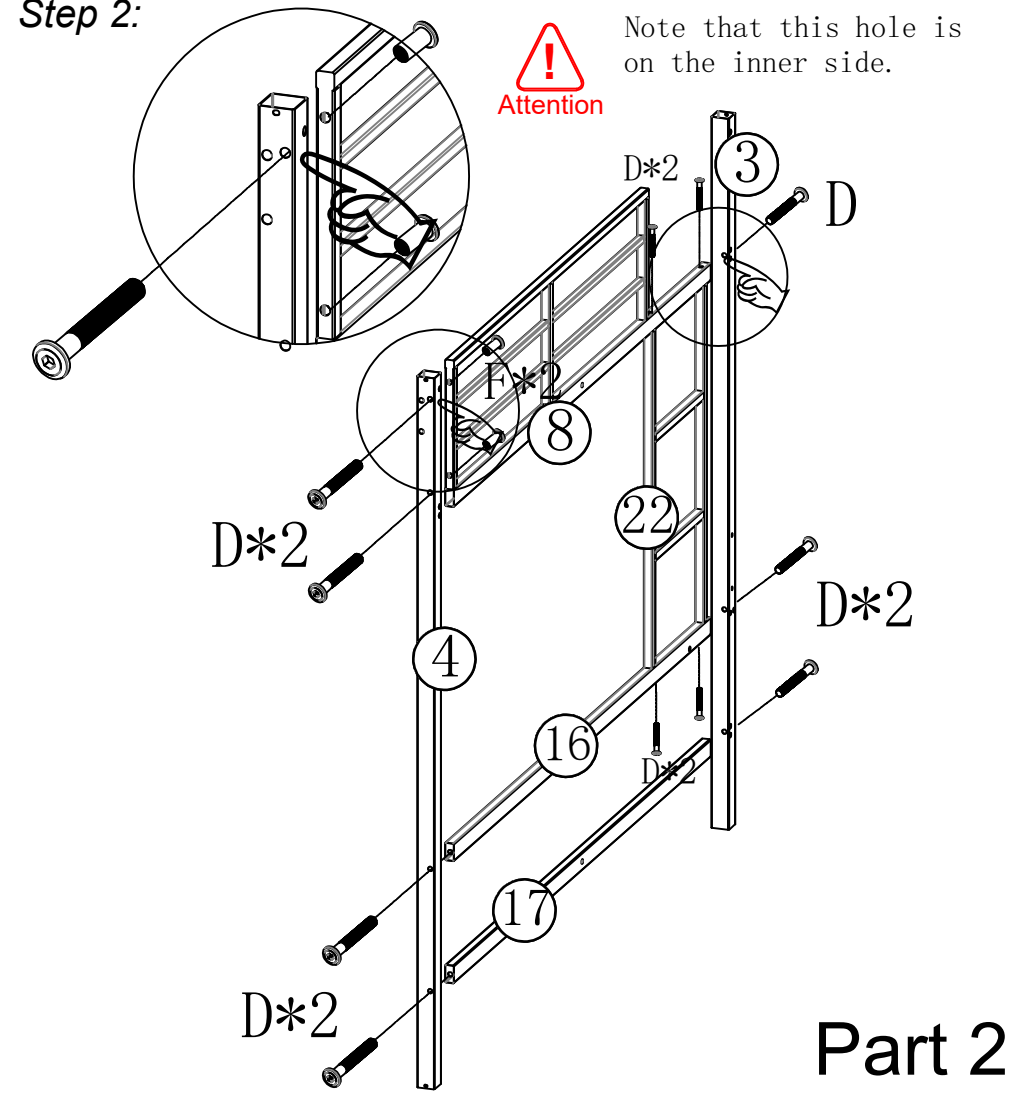
 W (Socket) --1PCS			 Light strips 1pcs		
 A A 4*10-2PCS	 C M8*35-24PCS	 D M8*55-42PCS	 F M8*15-23PCS	 E M6*25-30PCS	 G M4*35-13PCS
 H 4*50-20PCS	 K 78PCS	 O 0-1PCS	 M-1PCS	 T-4PCS	 U-2PCS
 V-4PCS	 W-2PCS	 X--8PCS	 Y M6*10-10PCS	 S-4PCS	 without brake 3 PCS
 with brake 2 PCS	 L1		 L2		

Step 1:



Note that this hole is on the inner side.

Step 2:



Note that this hole is on the inner side.



D

8*55-8PCS



F

8*15-4PCS



L



D

8*55-11PCS



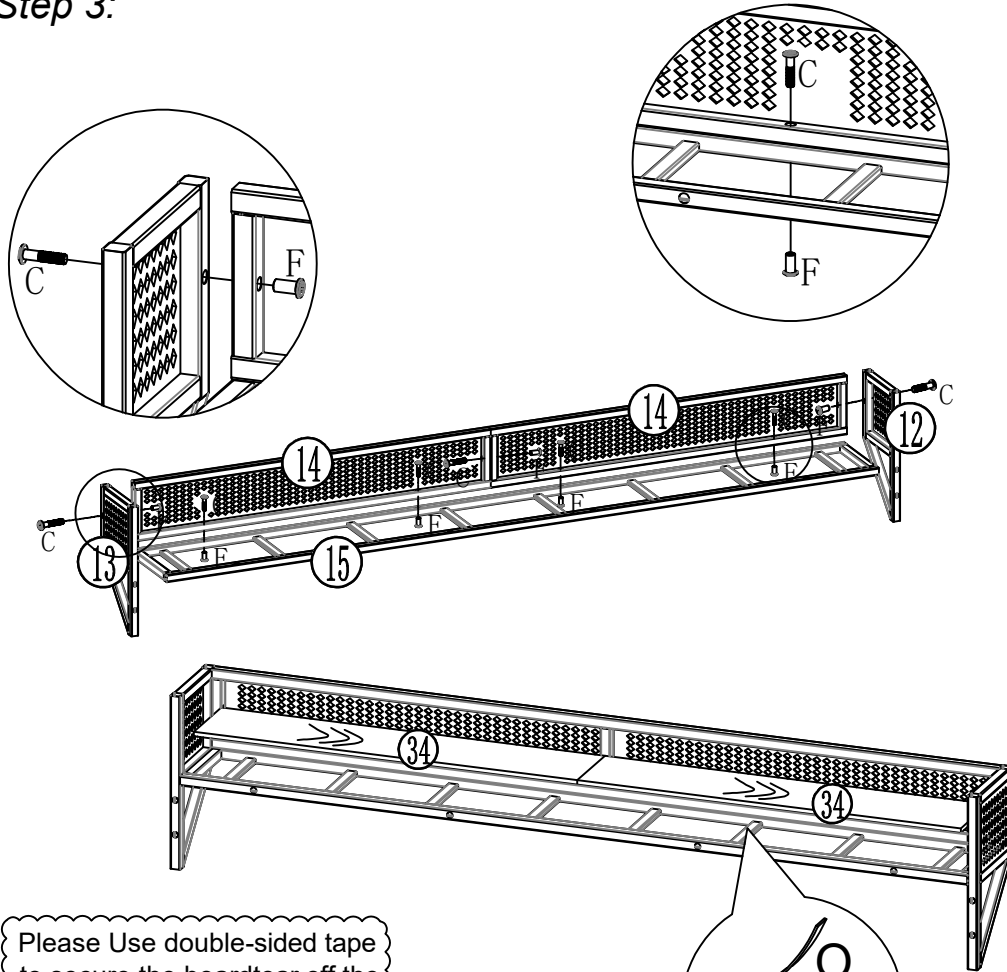
F

8*15-2PCS



L

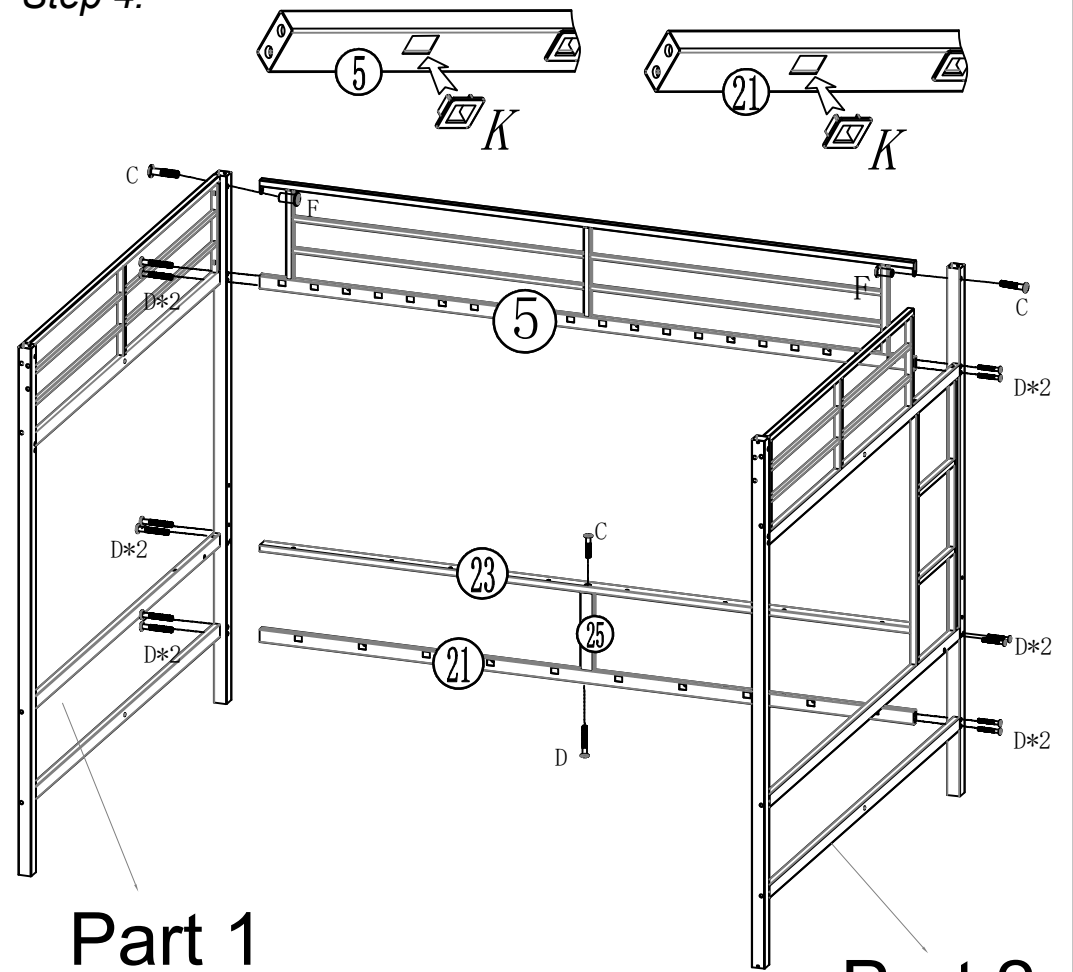
Step 3:



Please Use double-sided tape to secure the board tear off the adhesive tape before placing the board.


Part 3

Step 4:





Part 1


Part 2



F
4*15-7PCS


O



C
8*35
7PCS



L


F
4*15-2PCS

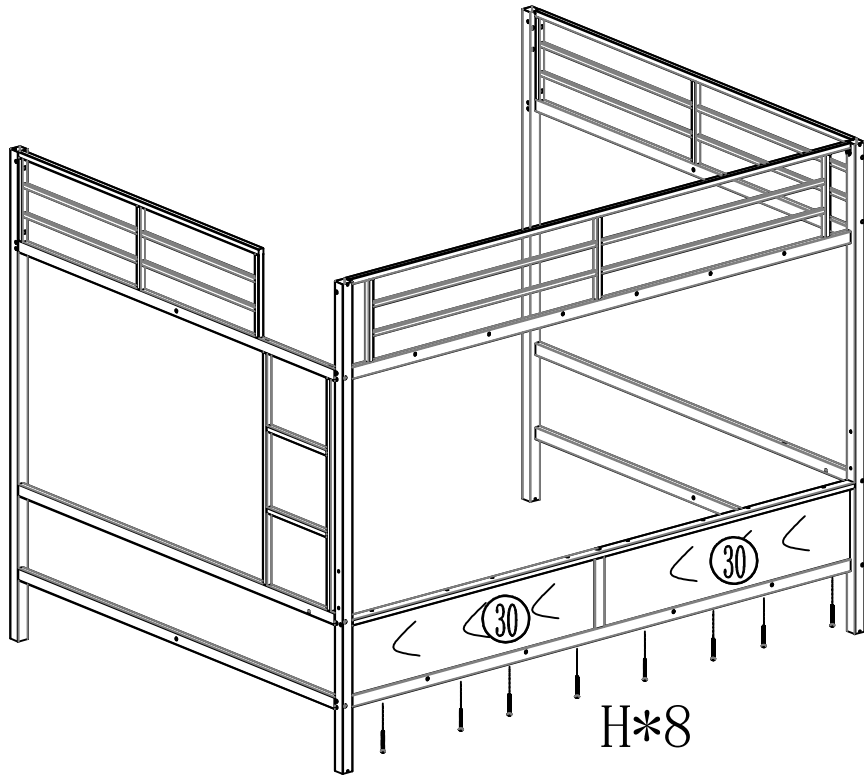

C
8*35
3PCS


K-29PCS


D
8*55-13PCS


L

Step 5:



Fix the bottom first with H screws.



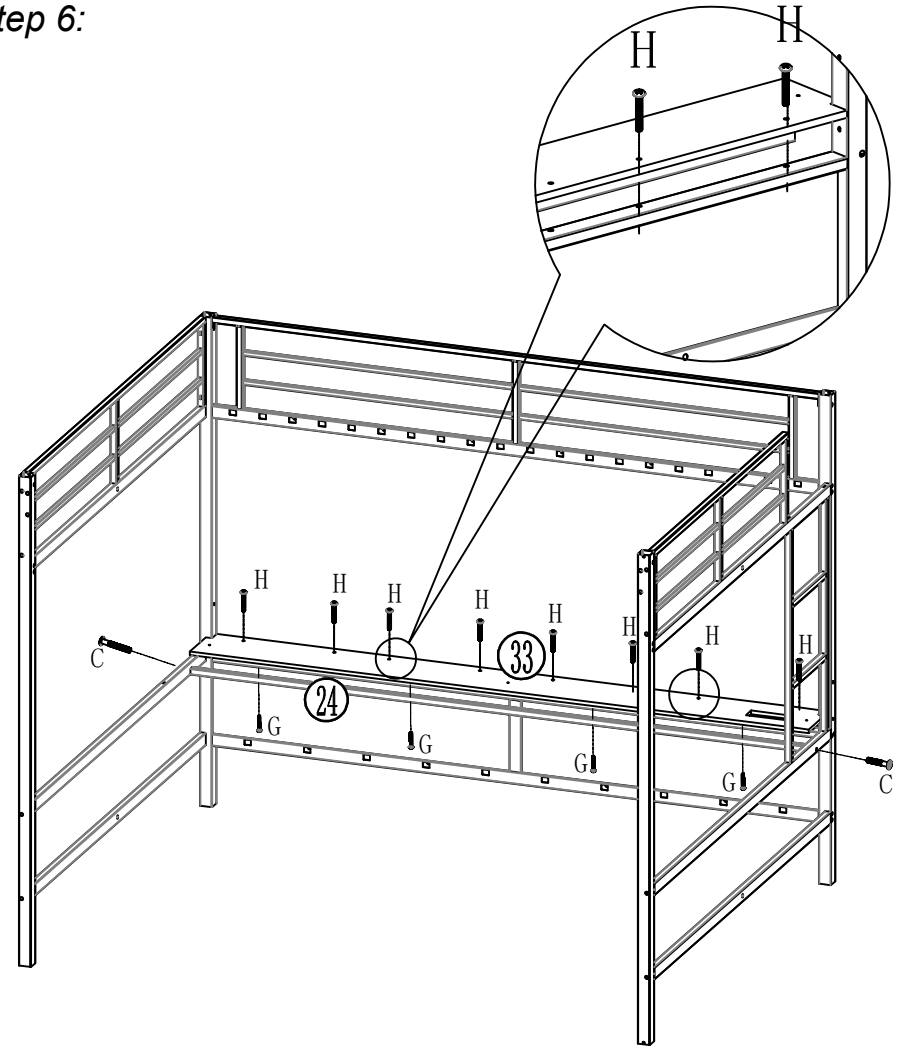
H

4*50-8PCS



M

Step 6:



H

4*50-8PCS



C

8*35
2PCS



G

4*35-4PCS

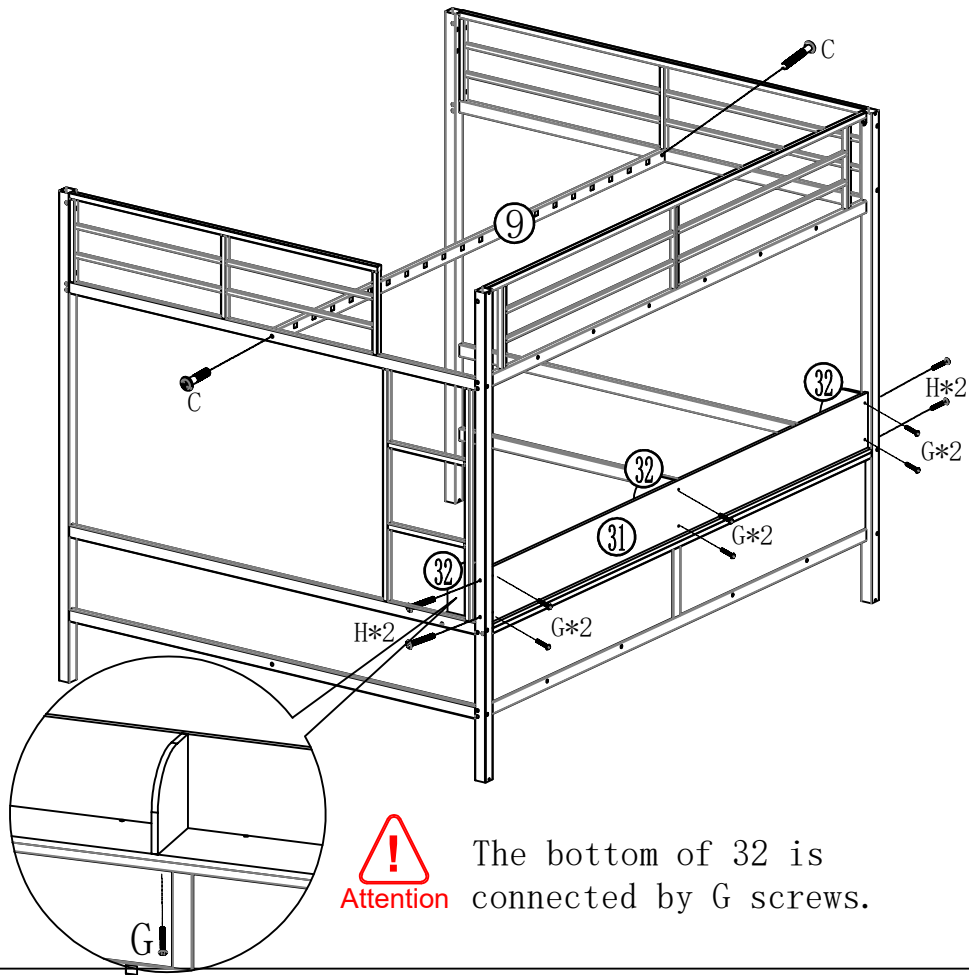







L



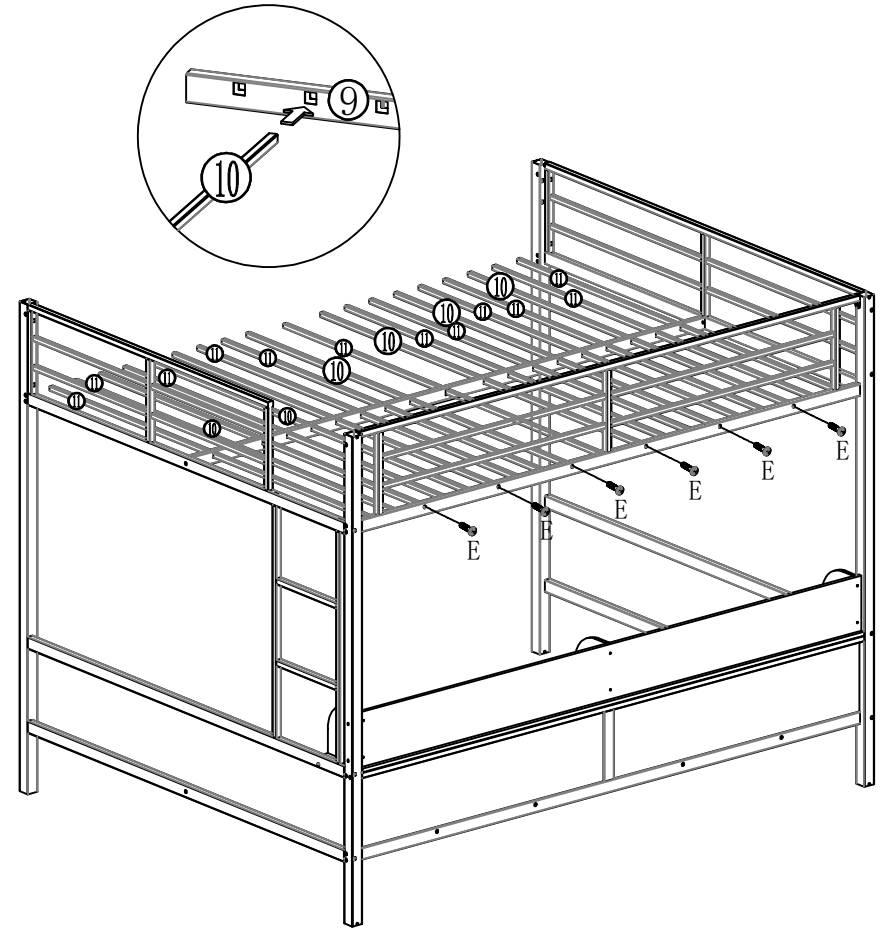
M

Step 7:



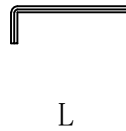
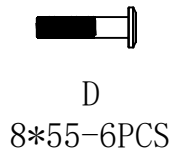
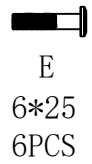
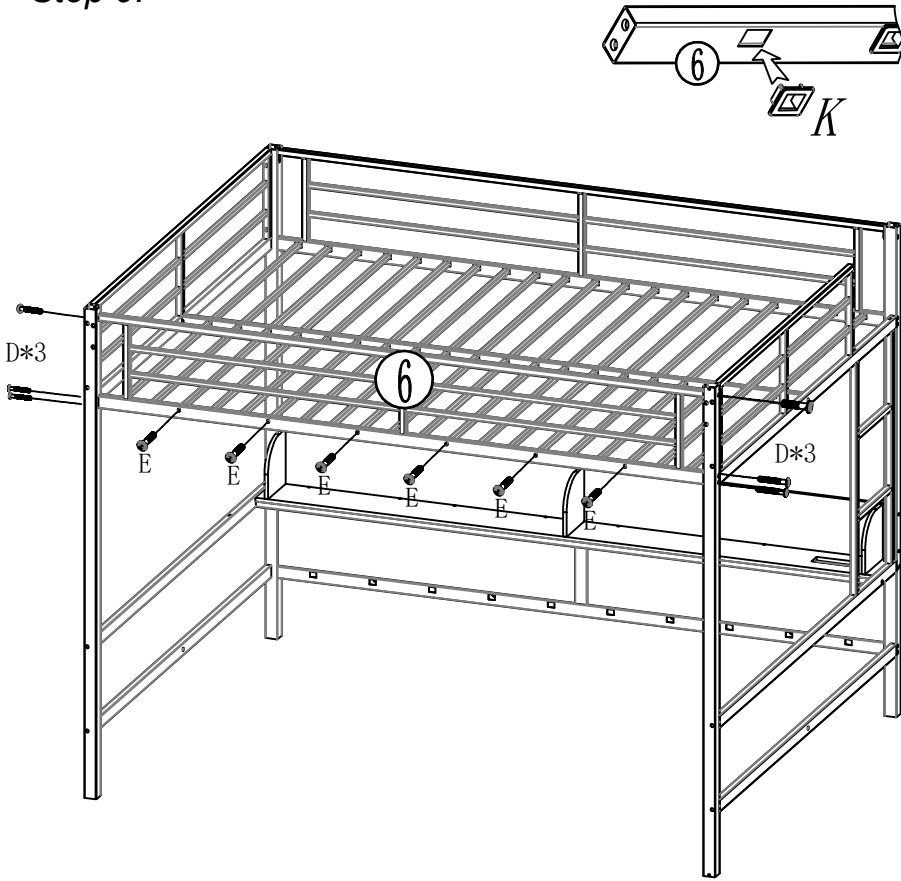
- 
H
 4*50-4PCS
- 
C
 8*35
 2PCS
- 
G
 4*35-9PCS
- 
L
- 
M

Step 8:

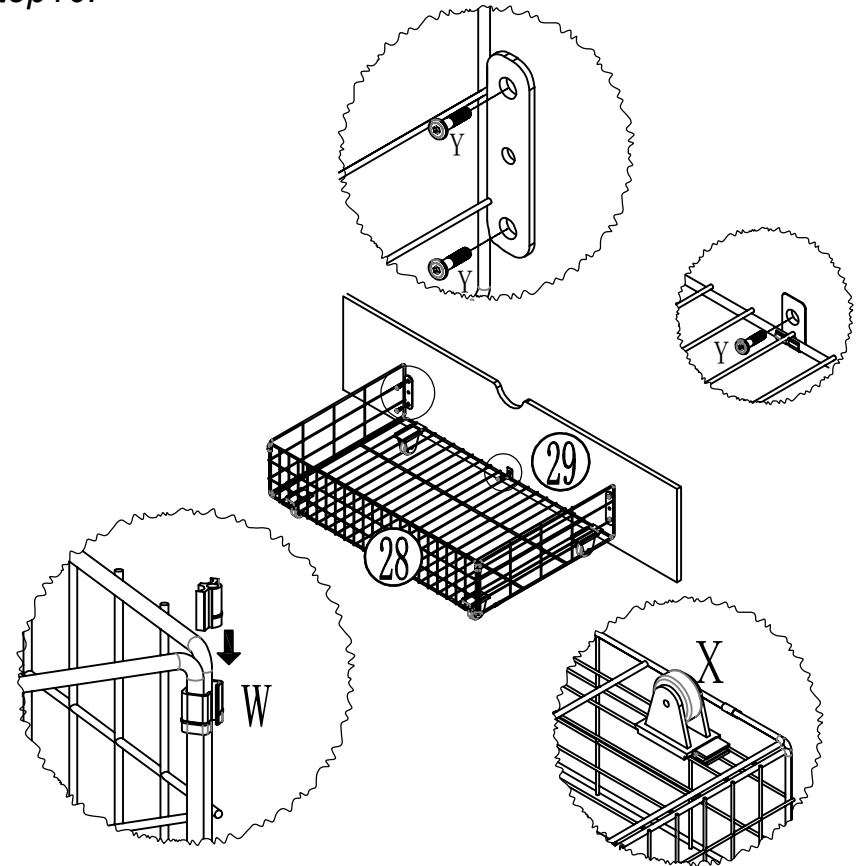


- 
E
 6*25
 6PCS
- 
L

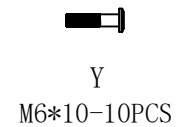
Step 9:



Step10:

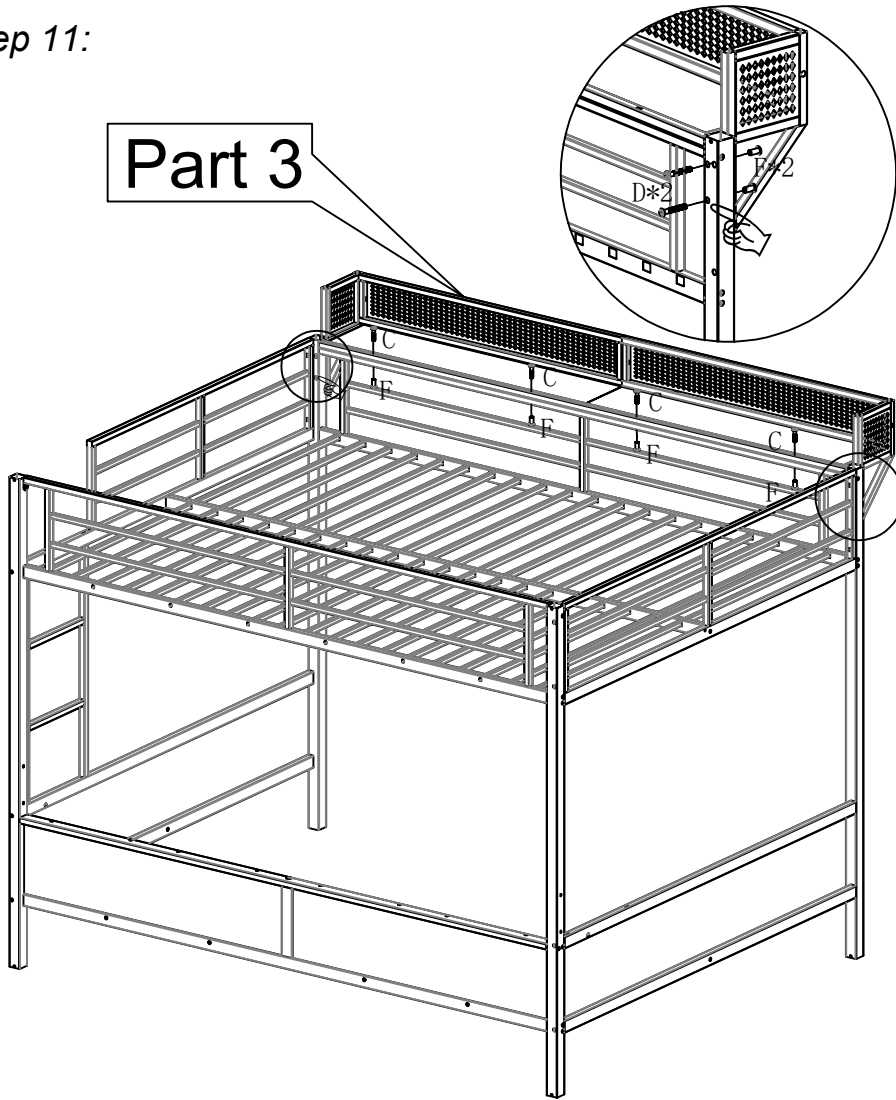


Please assemble 2 sets

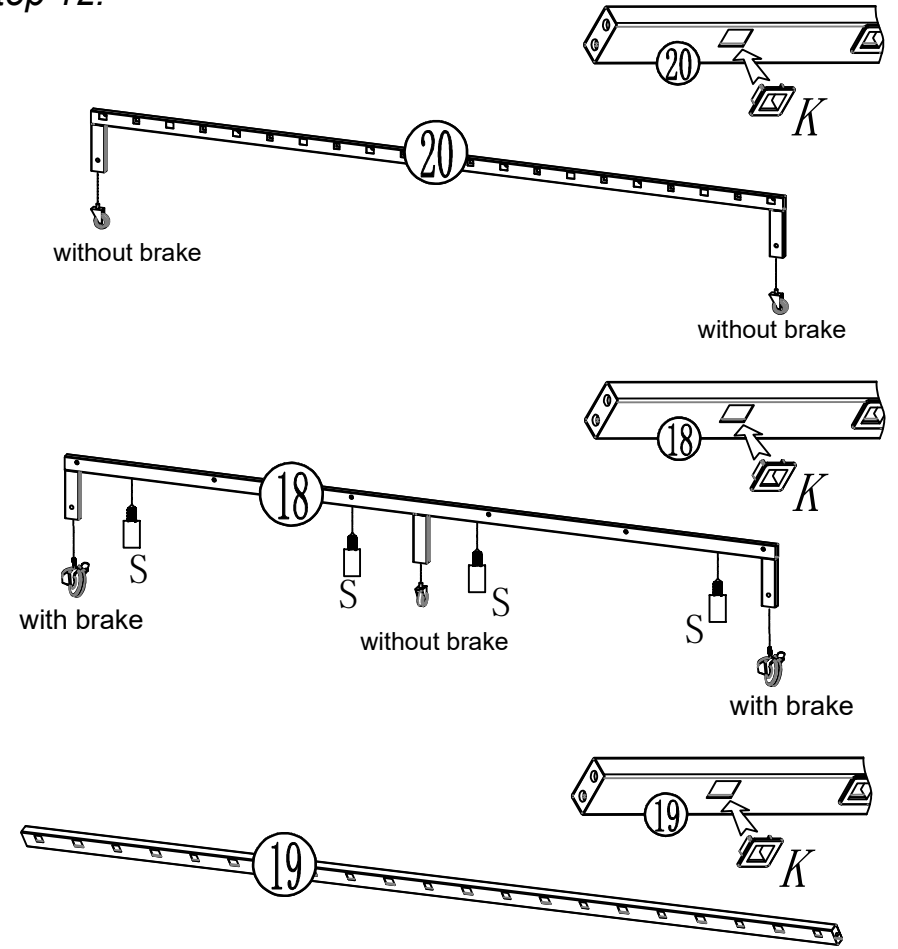


Step 11:

Part 3



Step 12:



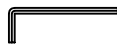
C
8*35
4PCS



D
8*55-4PCS



F
4*15-8PCS



L



with brake
2 PCS



without brake
3 PCS



K-42PCS

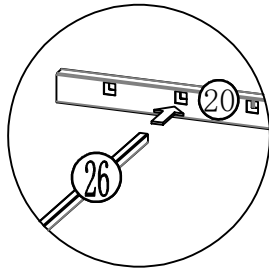
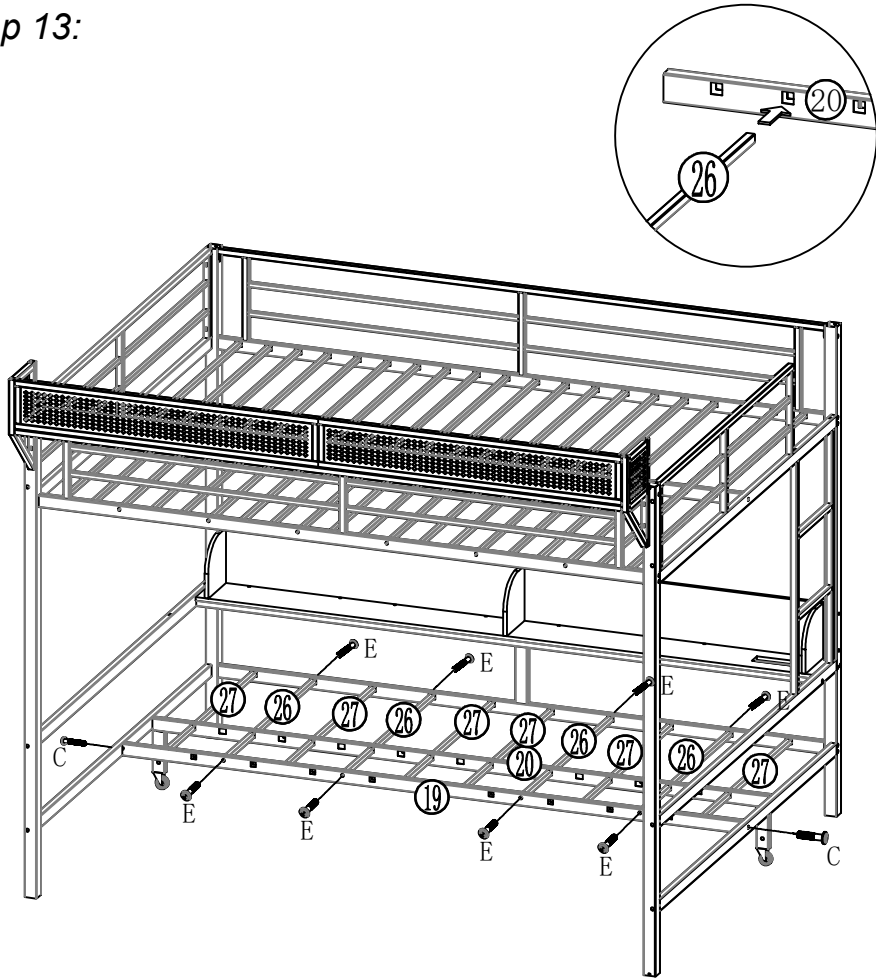


S-4PCS

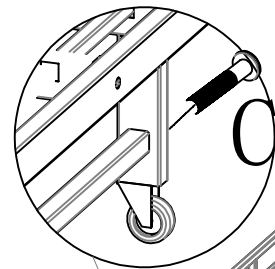
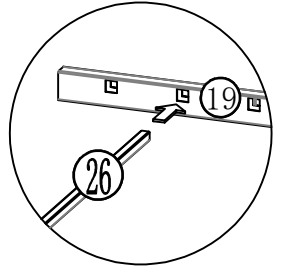
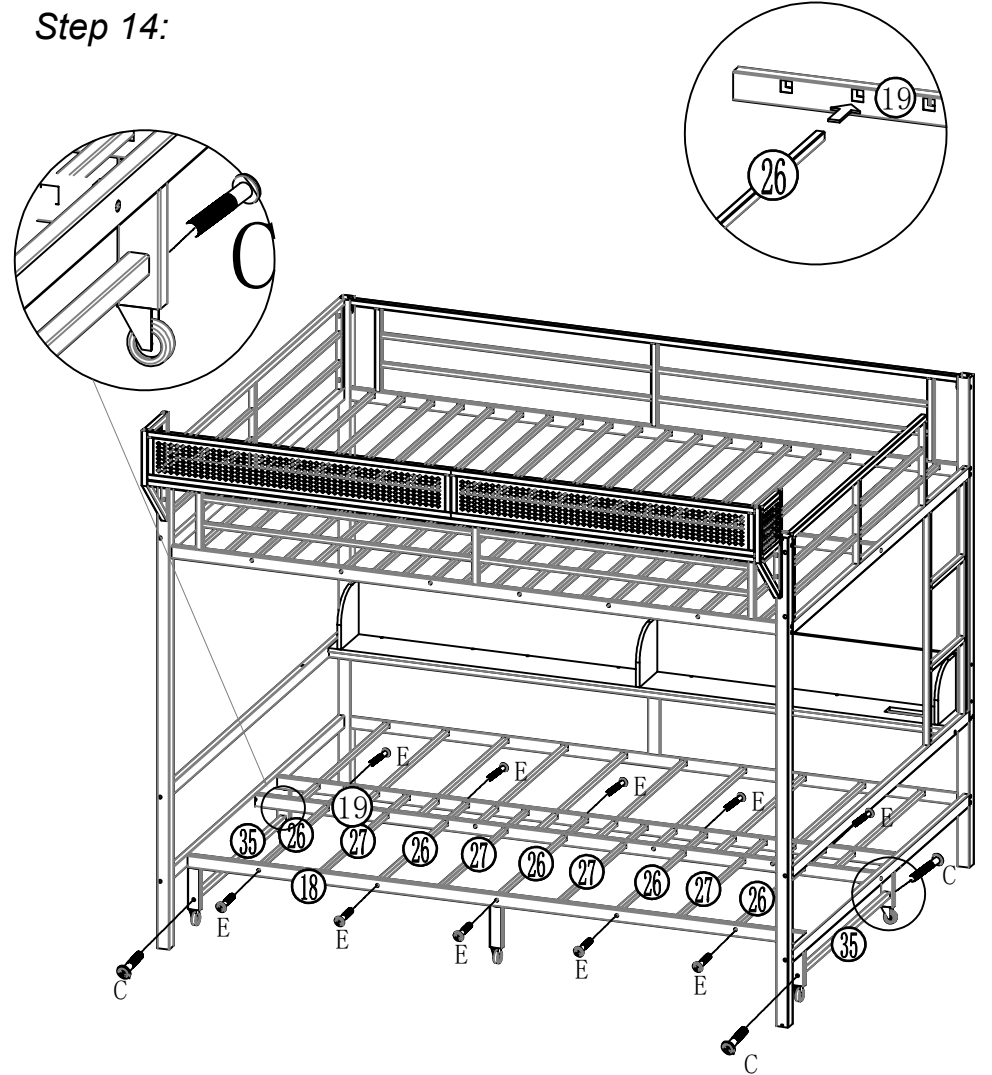


M

Step 13:



Step 14:



E
6*25
8PCS



C
8*35
2PCS



L



E
6*25
10PCS



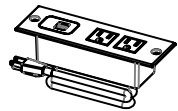
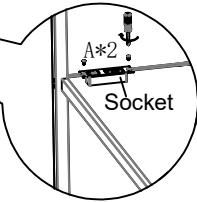
C
8*35
4PCS



L



The light strip is attached to the long tube on the back of 5#.



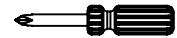
P
Socket-1pcs



Q
Light strips
1pcs

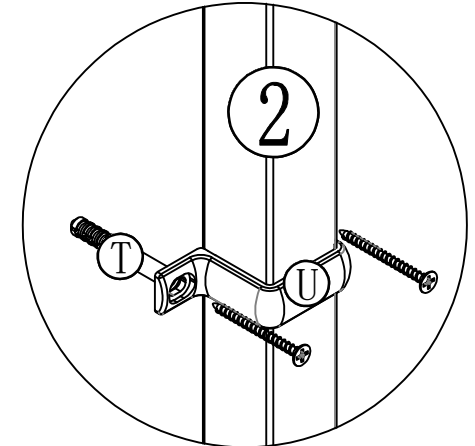
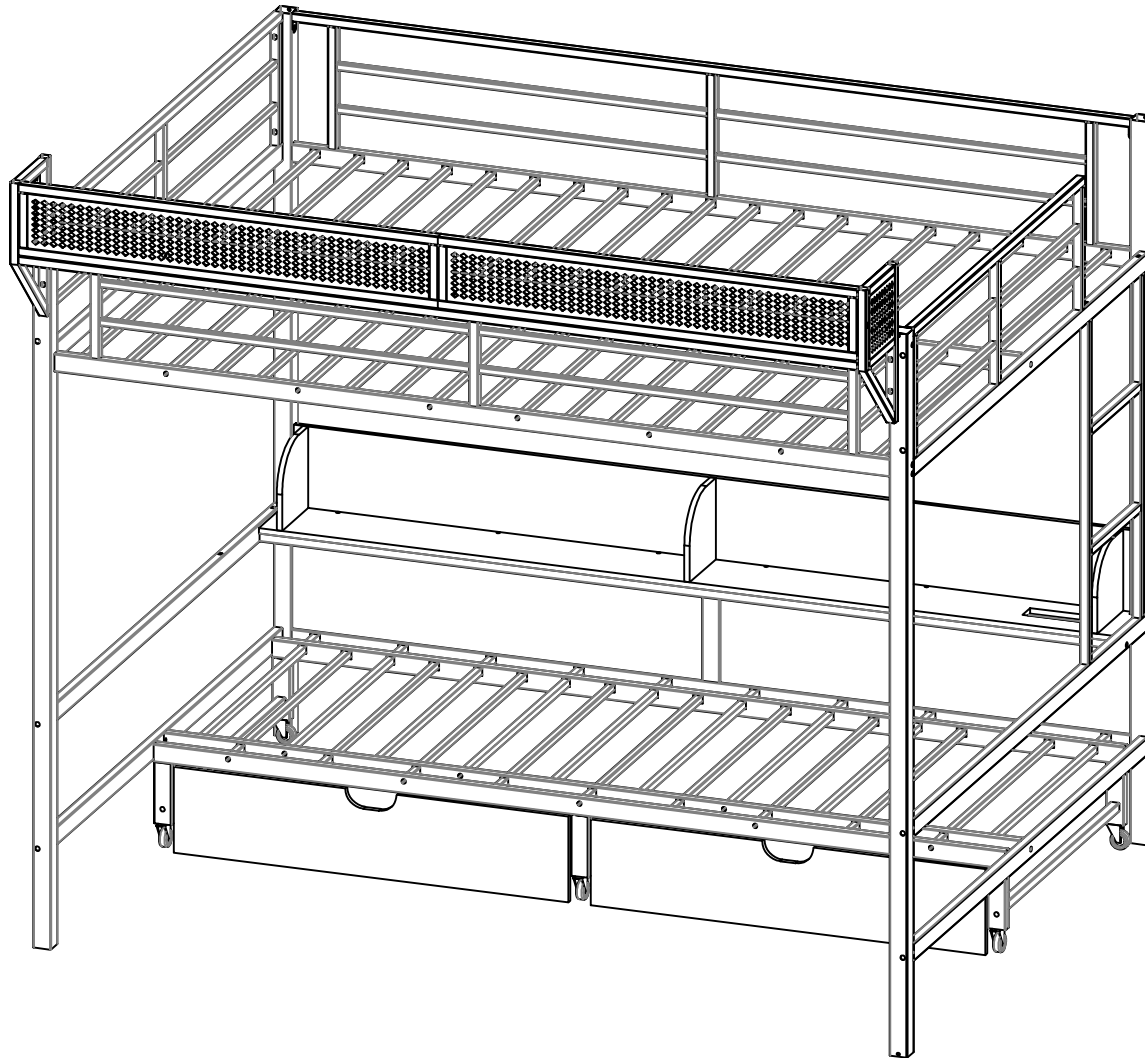


A 4*10-2PCS



M

Completed loft bed



*Tips:
If you feel that the bed
is a little wobbly then
please use the parts "U"
and "T" for reinforcement*



Please make sure all bolts are fastened before use, thank you.