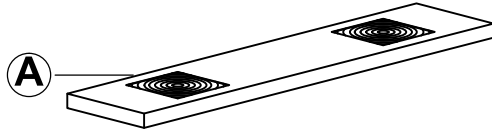


ASSEMBLY INSTRUCTIONS

PARTS PACKING CONFIGURATIONS

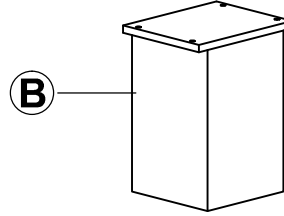
BOX #1

A. BENCH TOP 1 PC



BOX #2

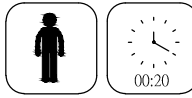
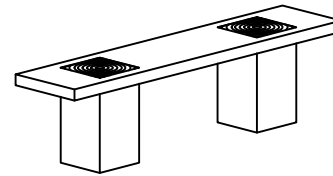
B. PEDESTAL BASE 2 PCS



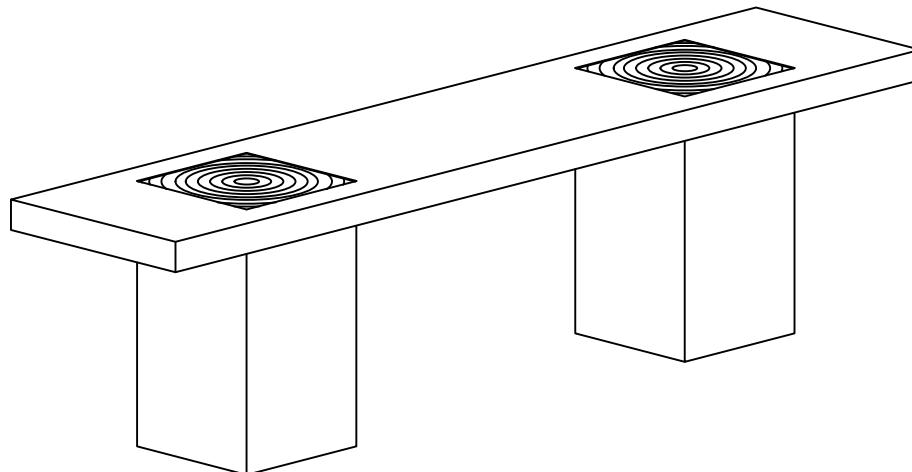
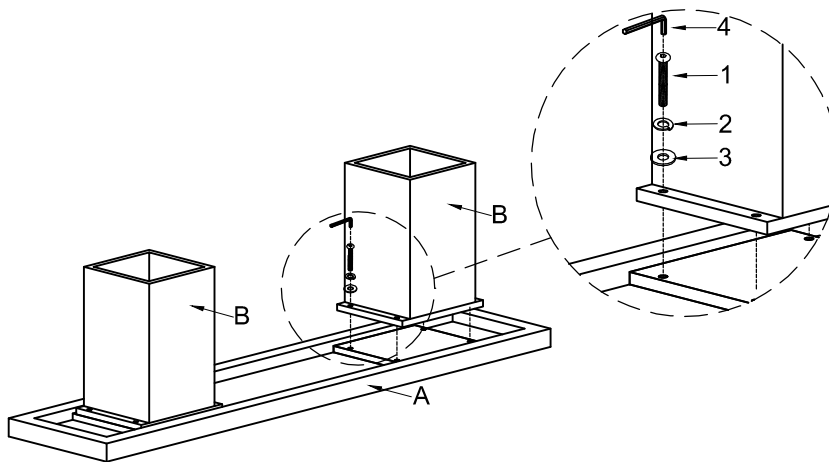
HARDWARE ENCLOSED IN CARTON

No	Description	Photo	Quantity
1	ALLEN BOLT (5/16 x 1-1/2)		8 PCS
2	LOCK WASHER (5/16)		8 PCS
3	FLAT WASHER (5/16)		8 PCS
4	ALLEN KEY		1 PC

FULLY ASSEMBLED



STEP 1:



FULLY ASSEMBLED