

KM-19

Assemble Instructions

Hardware Identification



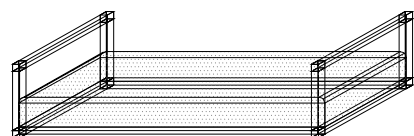
Ⓐ M6*20x8PCS



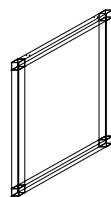
Ⓑ M6x1PC

Part Identification

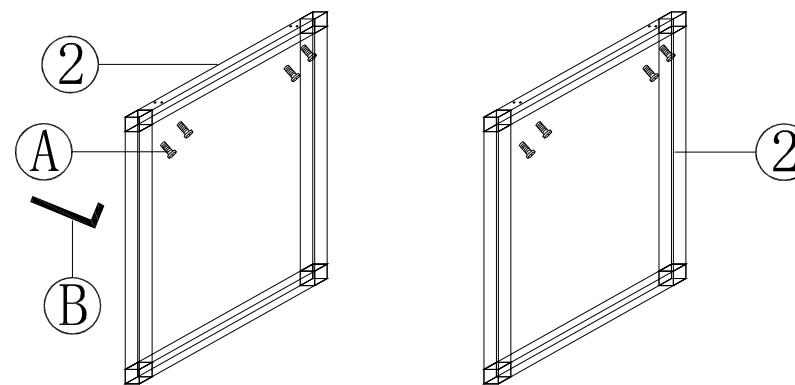
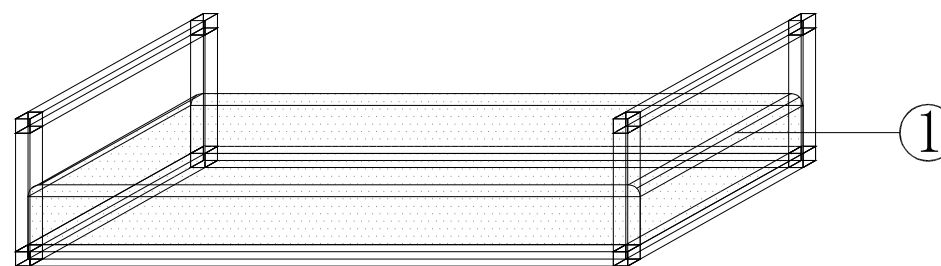
①x1PC



②x2PCS



1



2

