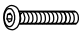
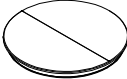


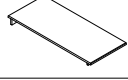

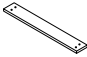
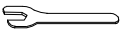
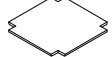



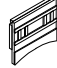







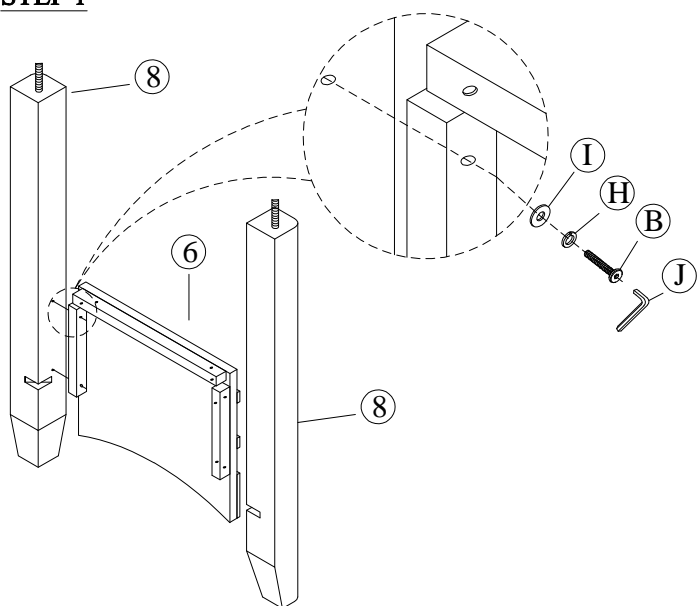
ASSEMBLY INSTRUCTION

DESCRIPTION: PUB TABLE TOP - PUB TABLE BASE

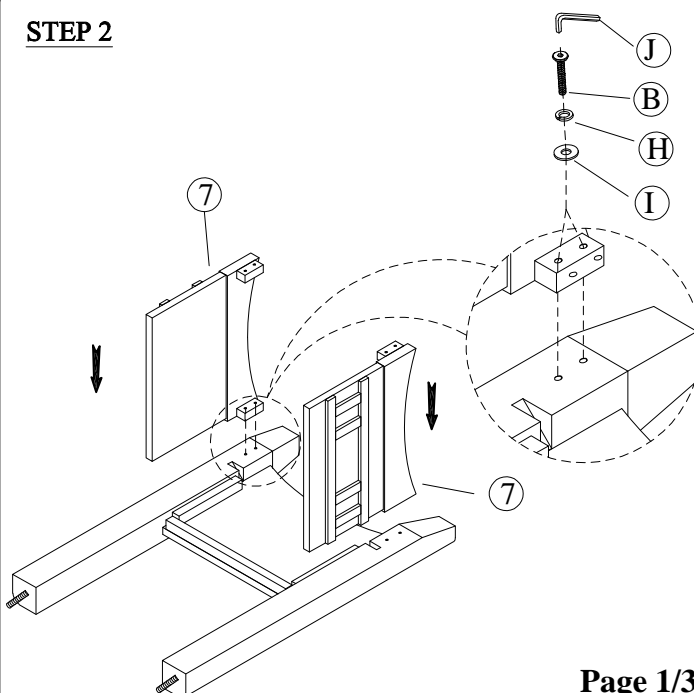
Thank you for purchasing this quality product. Be sure to check all packing material carefully for small parts, which may have come loose inside the carton during shipment. Identify and count all parts and compare with the parts list below.

HARDWARE LIST				PARTS LIST			
NO	DRAWING	DESCRIPTION	QTY	NO	DRAWING	DESCRIPTION	QTY
A		Bolt Ø5/16"x38mm	8	1	Table Top		1
B		Bolt Ø1/4"x45mm	16				
C		Bolt Ø1/4"x35mm	4	2	Table Leaf		1
D		Hex Nut Ø5/16	4	3			2
E		Open wrench 12mm	1	4			1
F		Spring Washer Ø5/16"xØ13mm	12	5			1
G		Flat Washer Ø5/16"xØ19mm	12	6			2
H		Spring Washer Ø1/4"xØ13mm	20	7			2
I		Flat Washer Ø1/4"xØ19mm	20	8	Leg		4
J		Allen Key 4mm	1				

STEP 1



STEP 2

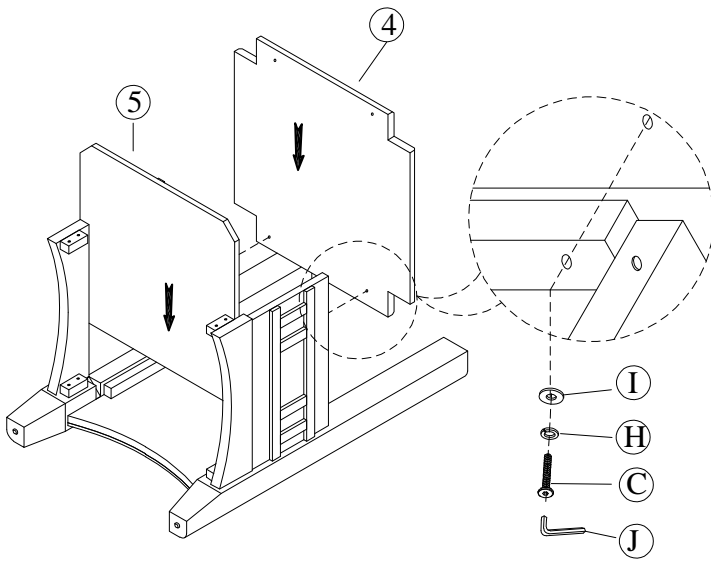


ASSEMBLY INSTRUCTION

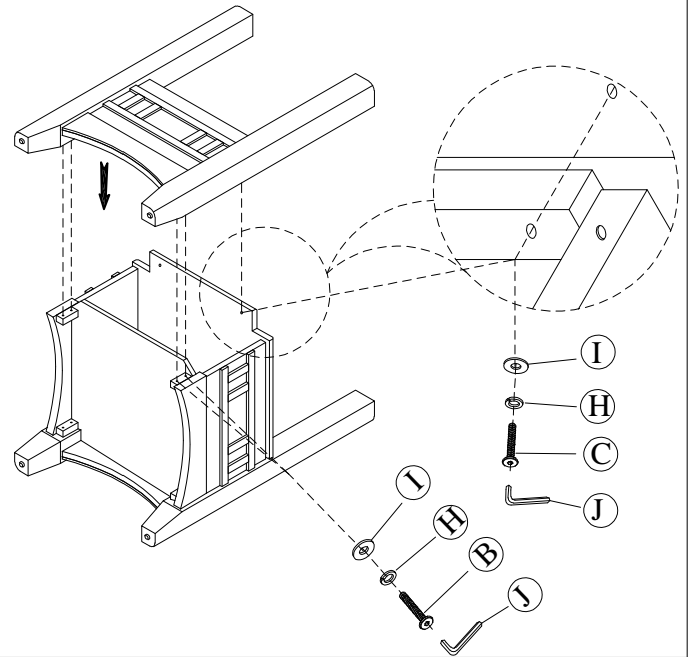
DESCRIPTION: PUB TABLE TOP - PUB TABLE BASE

Thank you for purchasing this quality product. Be sure to check all packing material carefully for small parts, which may have come loose inside the carton during shipment. Identify and count all parts and compare with the parts list below.

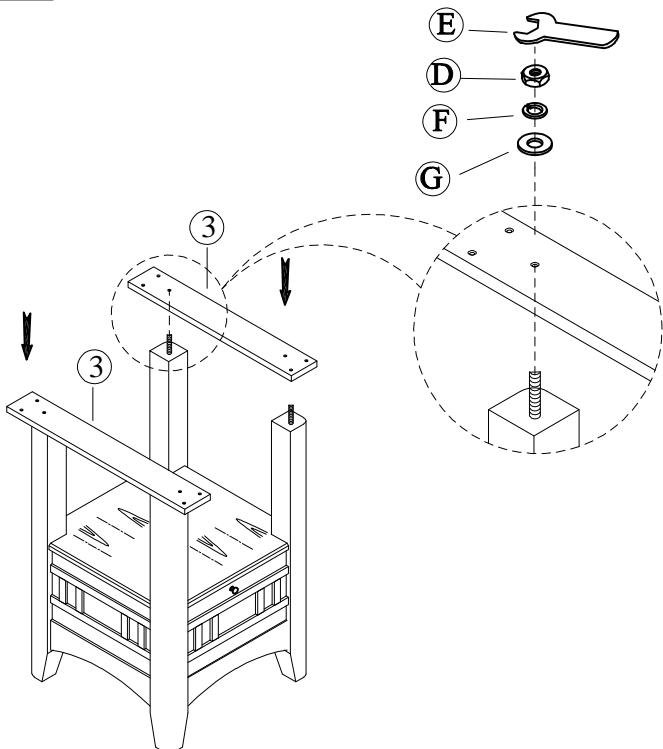
STEP 3



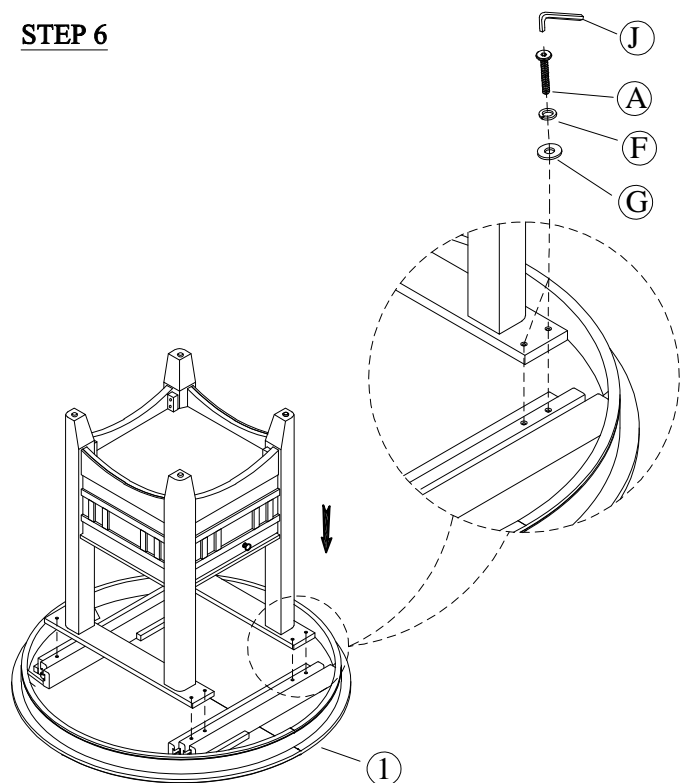
STEP 4



STEP 5



STEP 6

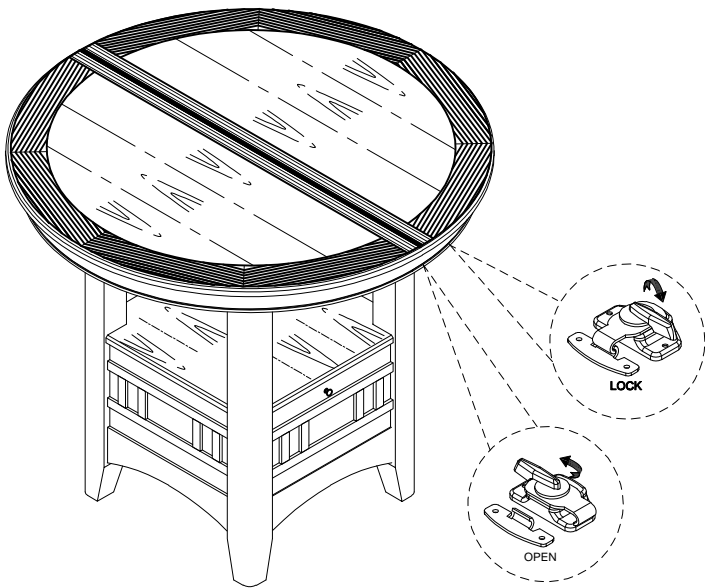


ASSEMBLY INSTRUCTION

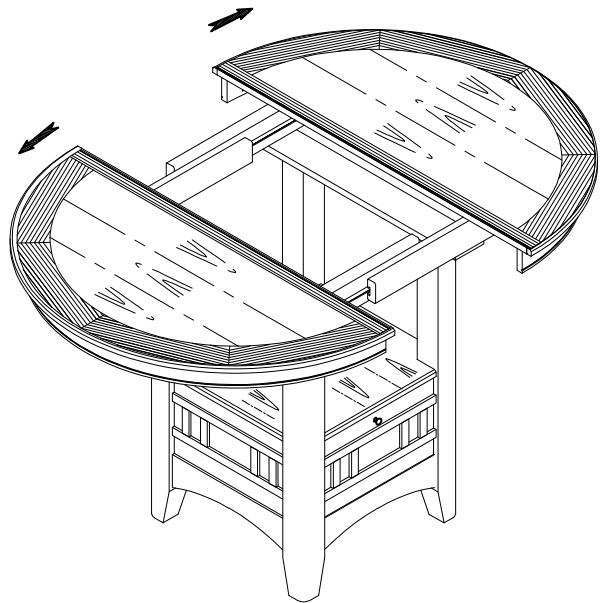
DESCRIPTION: PUB TABLE TOP - PUB TABLE BASE

Thank you for purchasing this quality product. Be sure to check all packing material carefully for small parts, which may have come loose inside the carton during shipment. Identify and count all parts and compare with the parts list below.

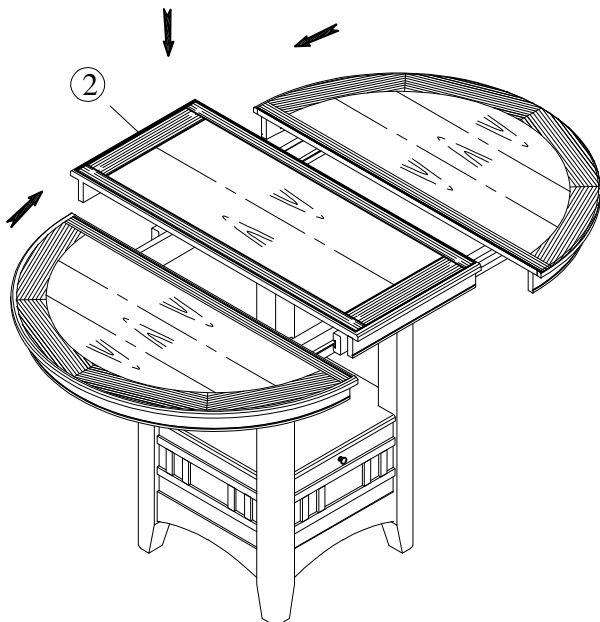
STEP 7



STEP 8



STEP 9



STEP 10

