



TORVA
INSTALLATION MANUAL

Top Mount Kitchen Sinks

Please keep the box and packaging materials until your product is completely installed. If you have any questions or problems. Please contact our Customer Service Team:

North America: support@torva.com

Europe: torva.eu@torvausa.com
--

PLS DO NOT RETURN TO STORE

STOP

NOTICE:

- Inspect the sink prior to installation to make sure that it has not been damaged during shipping.
- Read all instructions and ensure you have all tools, parts, and equipment necessary for a safe installation.
- Use the cut-out template provided.
- Maximum countertop thickness for Top Mount installation is 1 3/4".
- To avoid the risk of personal injury, wear safety glasses and cut resistant gloves with non-slip grip when cutting.

Warranty:

- 10 years Limited Warranty
- Torva warrants the structure and finish of the Kitchen Sink to be free from defects in material and workmanship under normal usage for the original purchaser resides in the residence in which the sink was Kitchen Sink was first installed.
- 2 years for PVD Nano coating.
- 1 year for the accessories.

Commercial Warranty:

- 1 year to commercial purchasers of products used in industrial, commercial and business applications.

Not Covered:

- This warranty does not cover any free gifts included with purchase
- This warranty does not cover damage resulting from neglect, misuse (including use for an unintended application), abuse, carelessness, accident, hard water or mineral deposits, exposure to corrosive materials, improper maintenance, alteration of the product, or failure to follow care, cleaning or installation instructions enclosed with your Product.
- We recommends that all products be installed by a fully licensed and insured trade professional with experience in the installation of bathroom and/or kitchen manufactured goods.

Cleaning and Care Instructions:

- Clean regularly with clean water and/or a mild detergent applied with a soft cloth or sponge. Rinse thoroughly and towel dry after every use to prevent water spots and mineral deposits from building up on the surface of the sink. Deep clean once a week with an approved cleanser and a soft cloth or sponge rather than an occasional aggressive single cleaning—be sure to rub in the direction of the finish lines. Cleaners should state approved or suitable for stainless steel.

DO'S AND DON'TS:

- Do regular routine cleaning rather than an occasional aggressive single cleaning.
- Only use propriety brands of cleaners that state "SUITABLE STAINLESS STEEL"
- Do not leave low-carbon steel or iron kitchenware in the sink.
- Do not use coarse abrasive powders, metallic scourers such as steel wool or brushes with metal bristles.
- Do not leave standing solutions of chlorine bleach and water in the sink
- Do not allow liquid soap or other cleansers to dry on the surface of the sink.
- Do not leave food with high-salt content such as pickles, béarnaise sauce or mustard in the sink.

Installation Instructions:

To avoid the risk of personal injury, wear safety glasses and cut resistant gloves with non-slip grip when cutting.



Safety Goggles



Cut Resistant Gloves



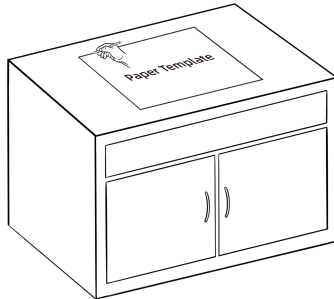
Caution

1

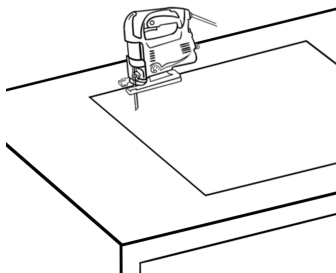
Cut Opening

The template should be placed on the counter in the designated sink installation area. It is important to consider the positioning of cabinet doors and panels to ensure compatibility with the sink installation.

Trace the inside of the template with a pencil. Remove the template from the countertop.



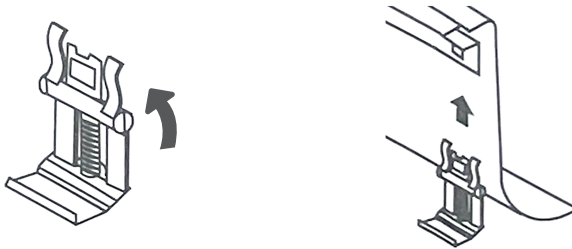
Using the drill, make a small starting hole on the inside of the cutting line. Using the jigsaw, trim the inside of the cutting line.



2**Install Mounting Clips**

Unfold the mounting clips and push it in to the exact position of the sink-fixing hole.

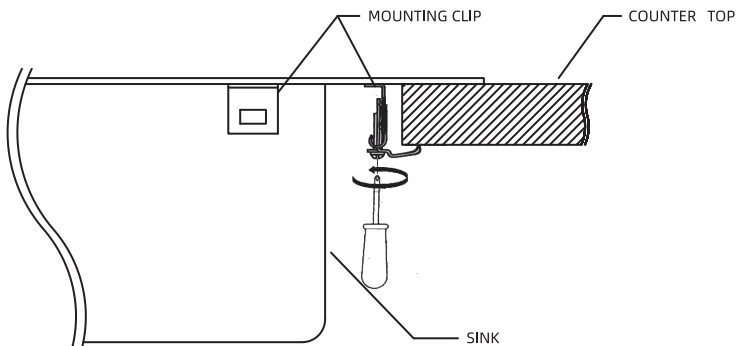
Make sure the hooked side of the mounting clip is facing away from the sink.

**3****Install Sink**

Invert the unit in order to apply sealant. Apply silicone-based sealant (not included) beneath the sink's edge.

Insert the sink into the opening.

Fix the sink to the counter by swiveling the mounting clips and tighten the screws.



Remove excess silicone-based sealant.

Unfold the mounting clips and push it in to the exact position of the sink-fixing hole.

Make sure the hooked side of the mounting clip is facing away from the sink.

