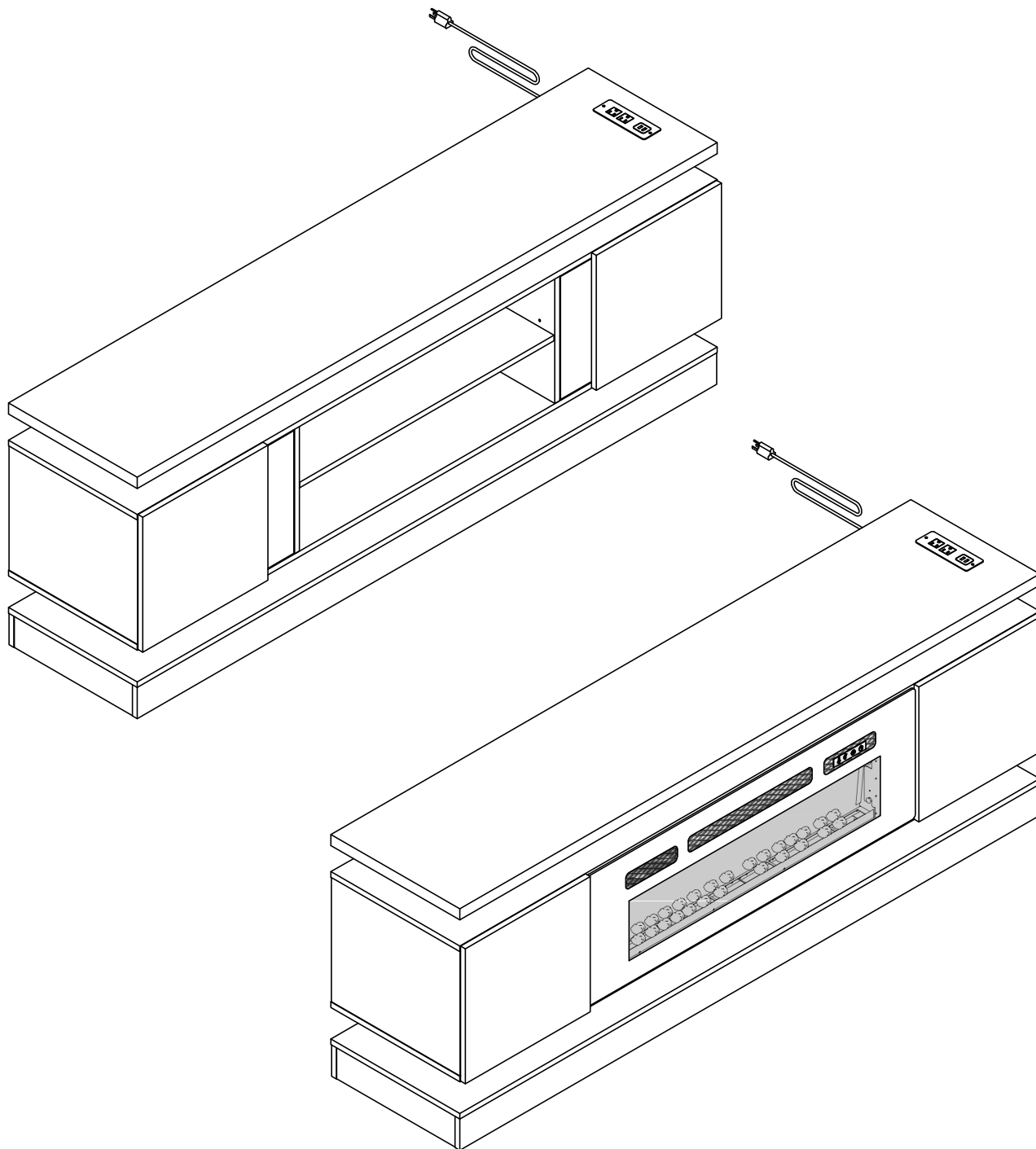
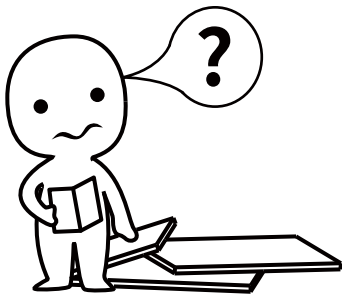


TV Table

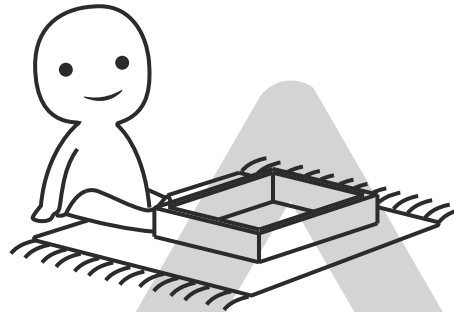
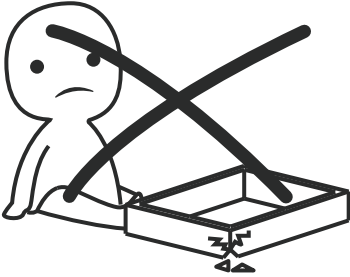
- Using an electric drill can speed up installation, but it requires reducing the torque of the drill .
- Product assembly can only begin after both the TV cabinet and fireplace have been received.





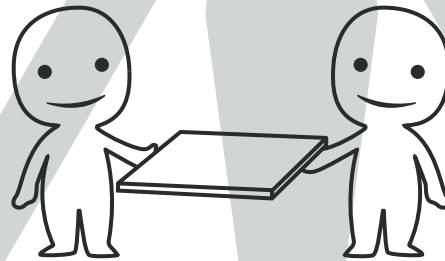
IMPORTANT INFORMATION!

please read the entire manual before starting to assemble and/or using this product. follow the manual thoroughly and keep it for further reference.



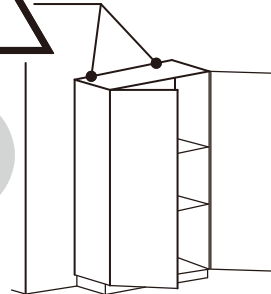
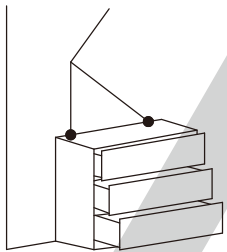
AVOID SCRATCHES!

In order to avoid scratching this furniture should be assembled on a soft layer - could be a rug.



IMPROVE EFFICIENCY !

Try to find a partner to install with you, which can speed up the installation efficiency and shorten the time.



ANTI-TOPPLE WARNING !

Overtipped furniture can cause serious or fatal crush injuries. To prevent tipping over, be sure to use the wall attachment, if not included with this product. Please purchase the wall attachment that fit your wall. If unsure, seek professional advice. Please read and follow each step of the instructions carefully.

IMPORTANT !

It is important that any product which is assembled using any kind of screw is re-tightened 2 weeks after assembly, and once every 3 months - in order to assure stability through-out the lifespan of the product.

For regular maintenance and cleaning of the product, for the frame, please use a rag dipped in neutral detergent to fully wipe it, and then dry it with a clean rag. For glass materials, wipe with a rag dampened with water glass cleaner, and then dry with a dry rag.

SAFETY TIPS:

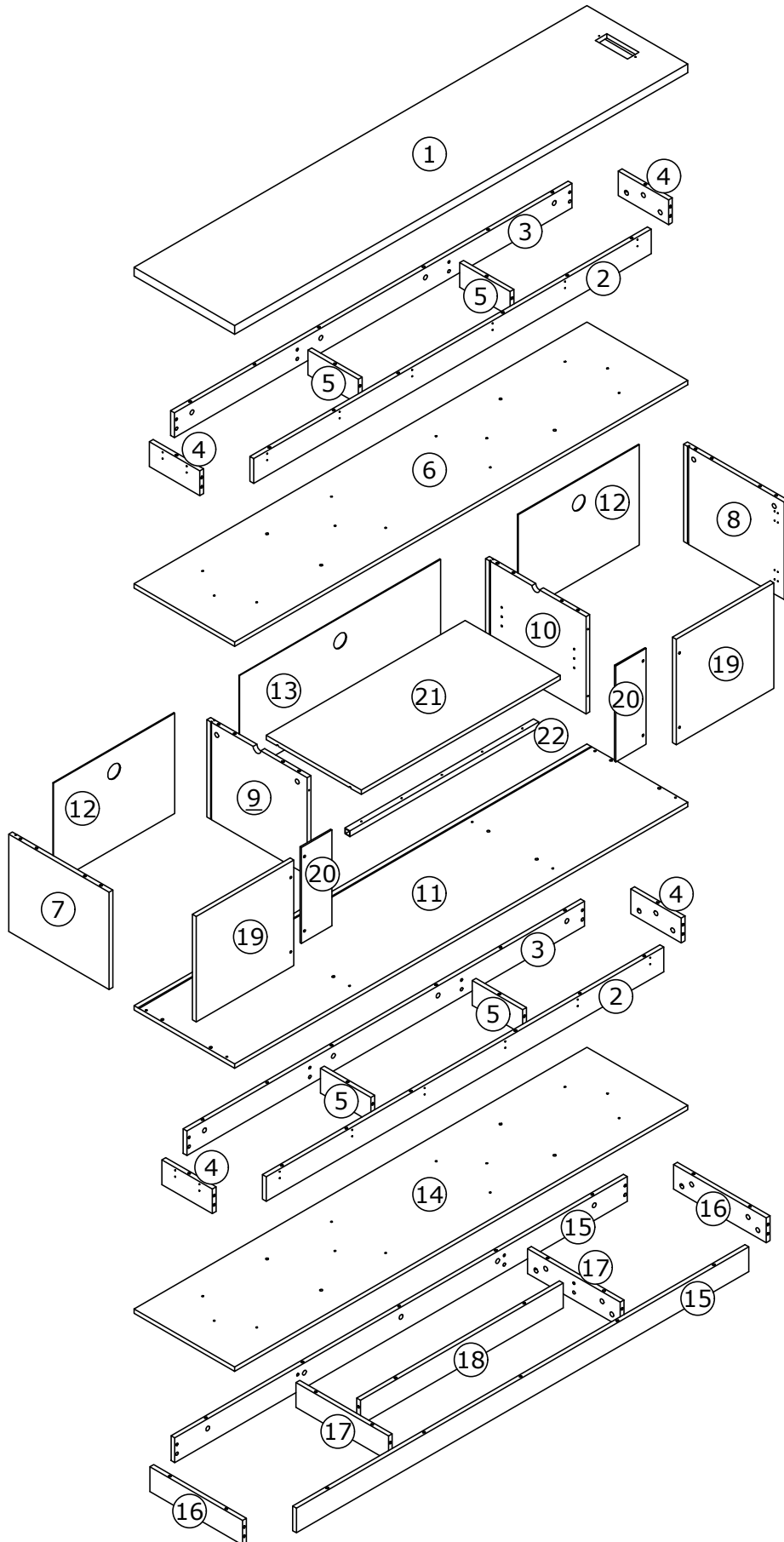
Static charge may cause dust on foam - clean with a dry or damp cloth.

Small foam strands may be present - handle gently and dispose of properly.

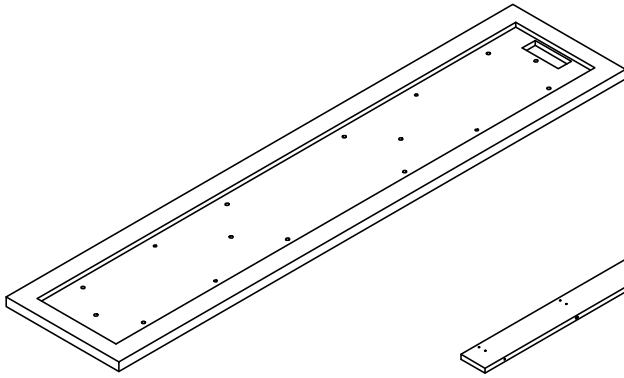
Do not burn or incinerate. Check local recycling guidelines.

Peel off film before use

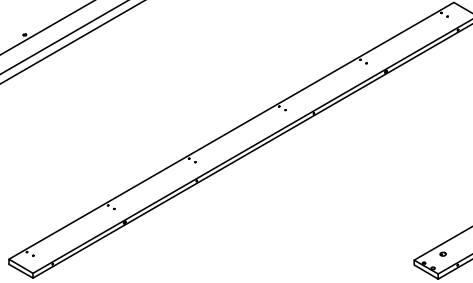
Board Identification



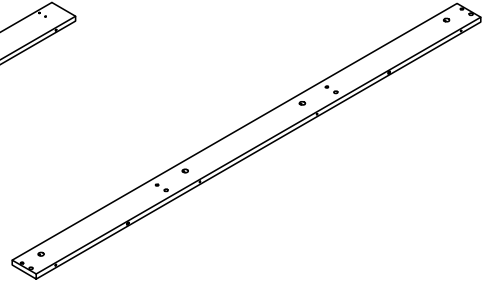
PARTS LIST



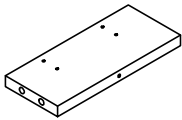
①



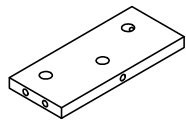
② X2



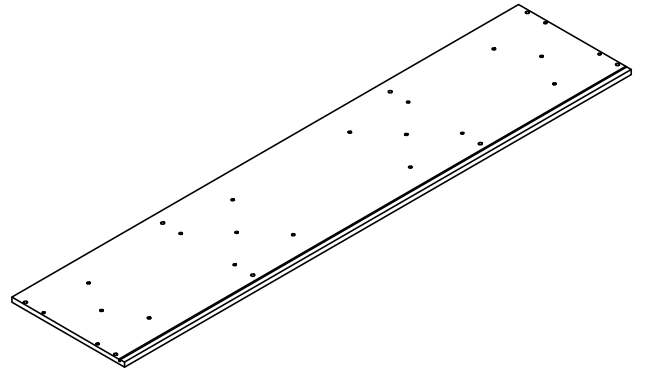
③ X2



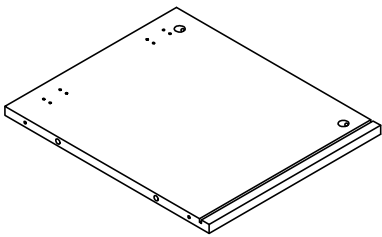
④ X4



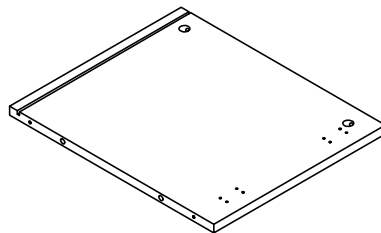
⑤ X4



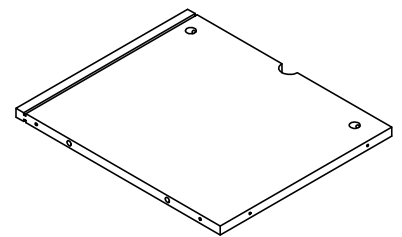
⑥



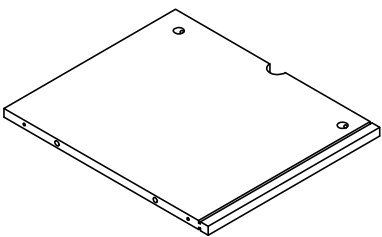
⑦



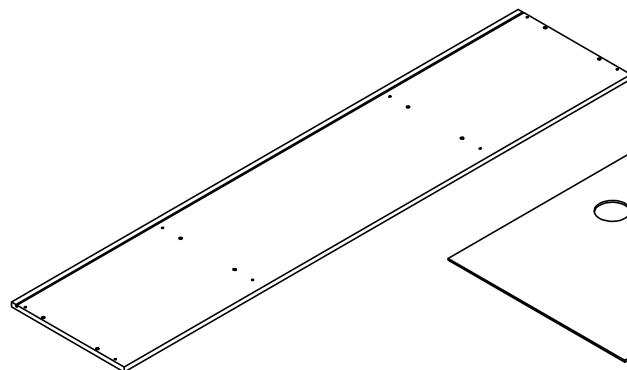
⑧



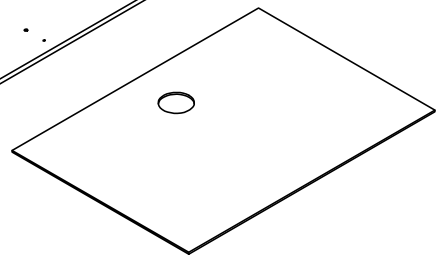
⑨



⑩

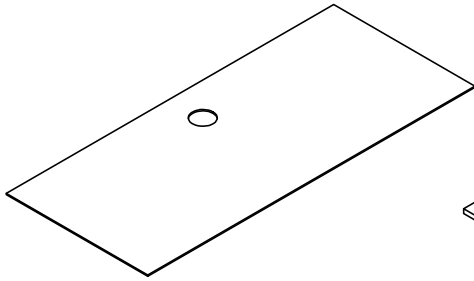


⑪

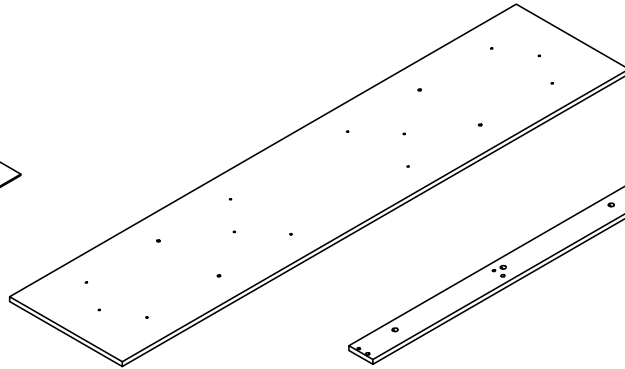


⑫ X2

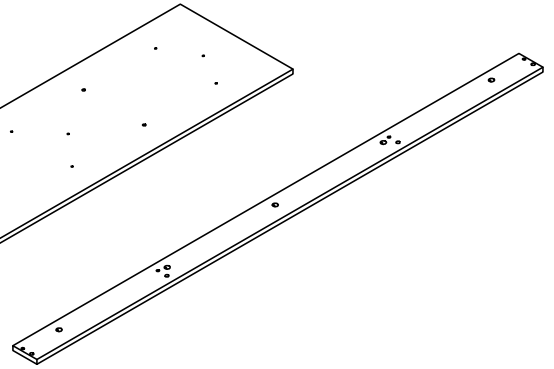
PARTS LIST



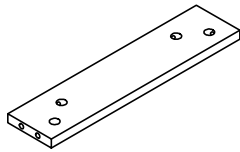
⑬



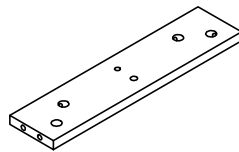
⑭



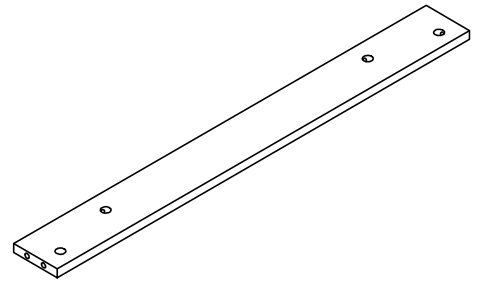
⑮ X2



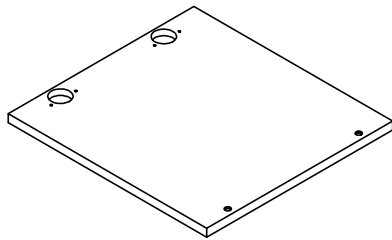
⑯ X2



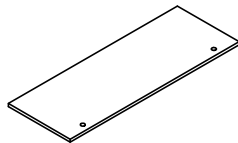
⑰ X2



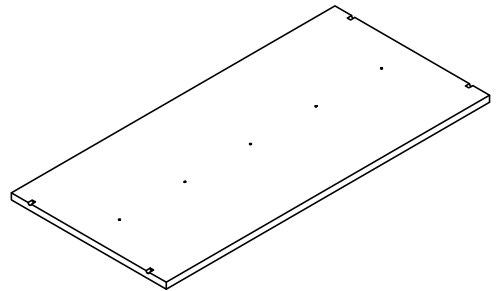
⑱



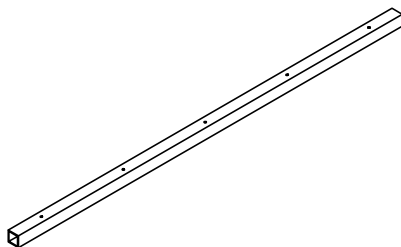
⑲ X2



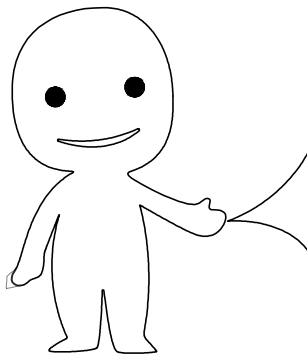
⑳ X2



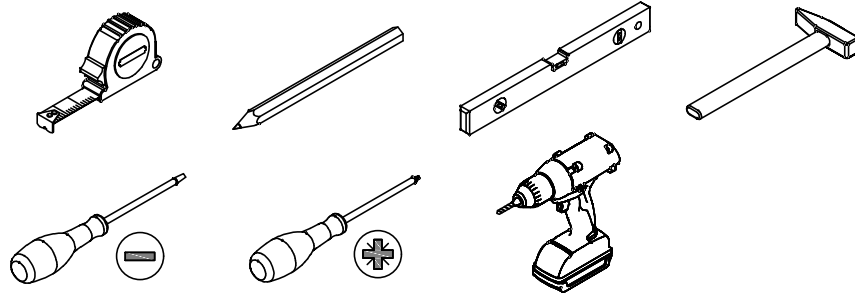
㉑



㉒



Please prepare the following tools



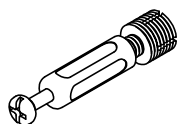
When installing, please carefully confirm whether each screw corresponds to the manual, accessories with similar shapes can be distinguished by size

A x 78



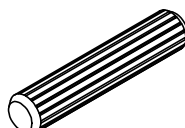
Ø 15 x 11.5 mm

B x 78



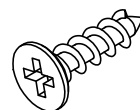
Ø 7 x 40 mm

C x 58



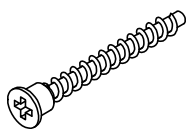
Ø 8 x 40 mm

D x 28



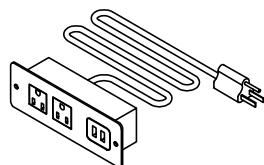
Ø 3.5 x 14 mm

E x 32

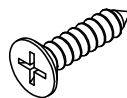


Ø 5 x 40 mm

F x 1

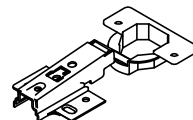


G x 2



Ø 3.5 x 14 mm

H x 4

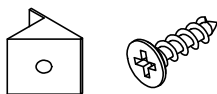


J x 4



M6 x 12 mm

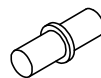
K x 16



K-1

K-2

L x 4



M x 12

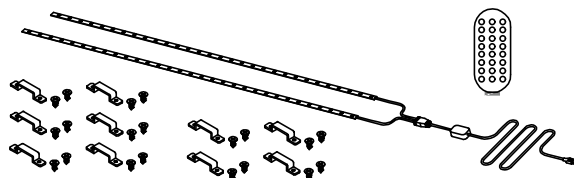


N x 5



Ø 4 x 30 mm

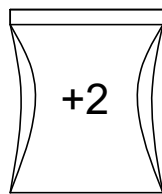
P x 1



R x 13

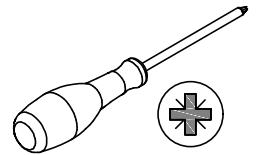
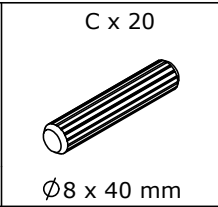
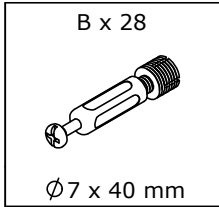


+2

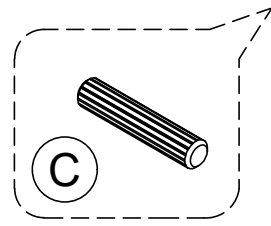
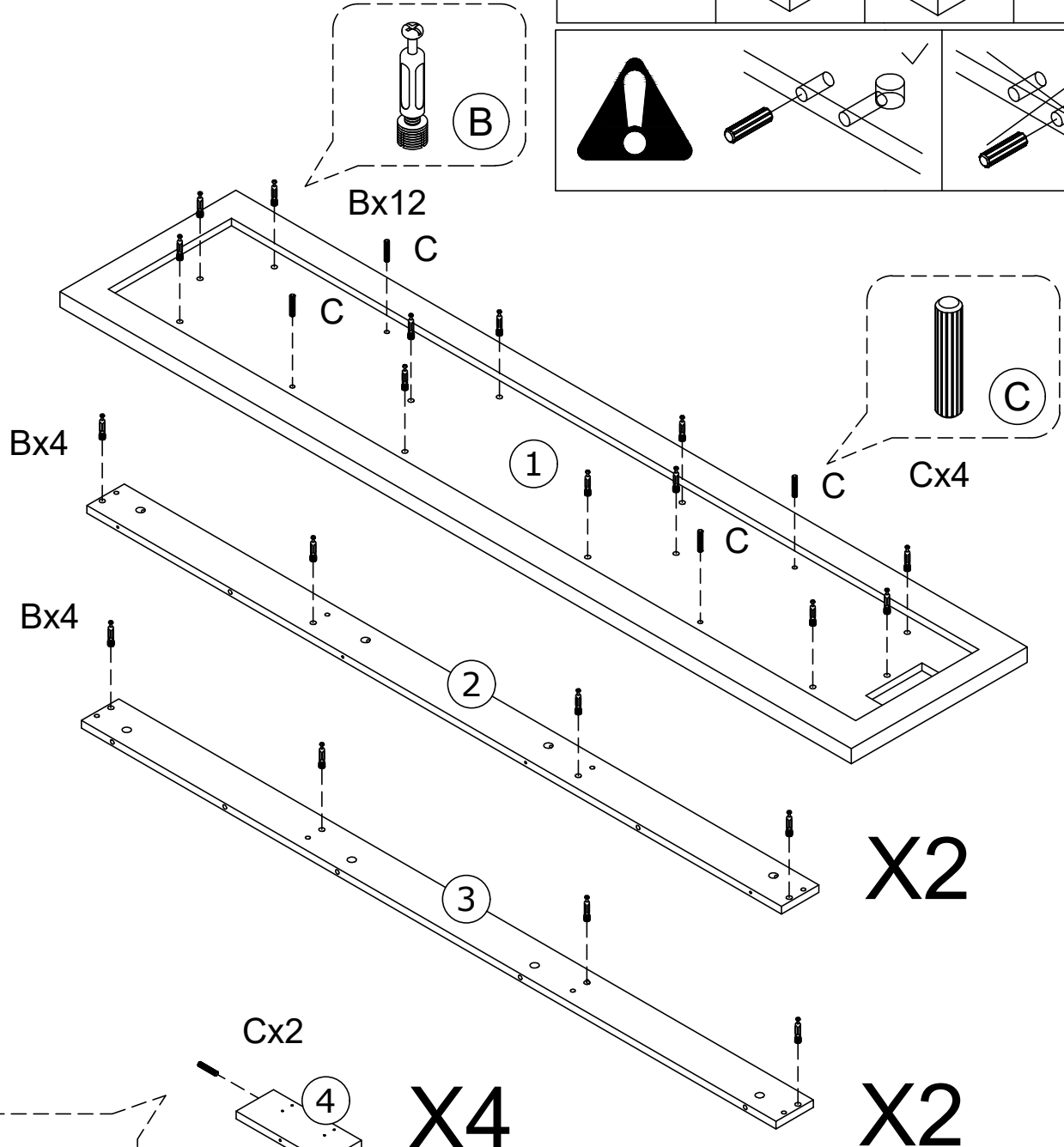
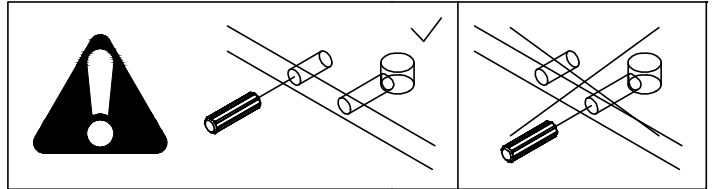
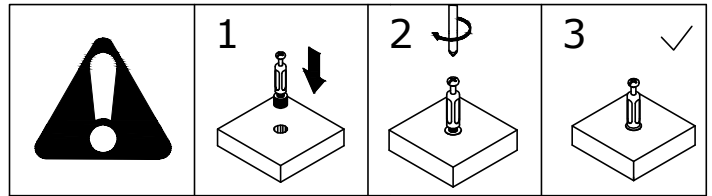


SPARE BAG

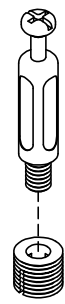
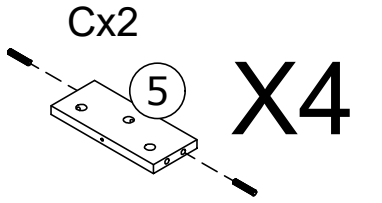
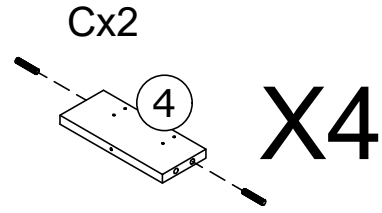
1



Before installation, the foam board in the packing box can be placed under the ① board to prevent scratches.

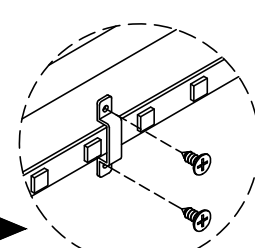
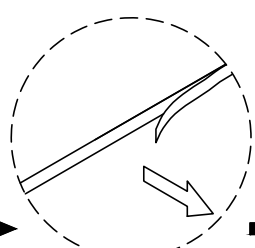
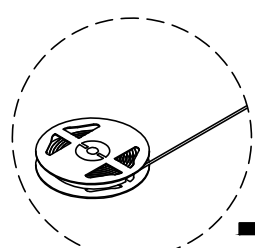
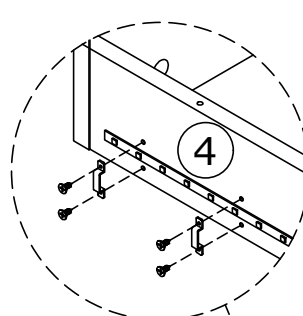
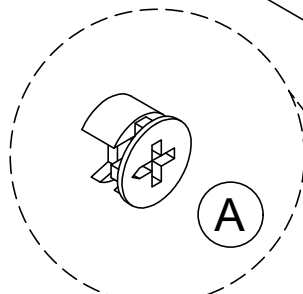
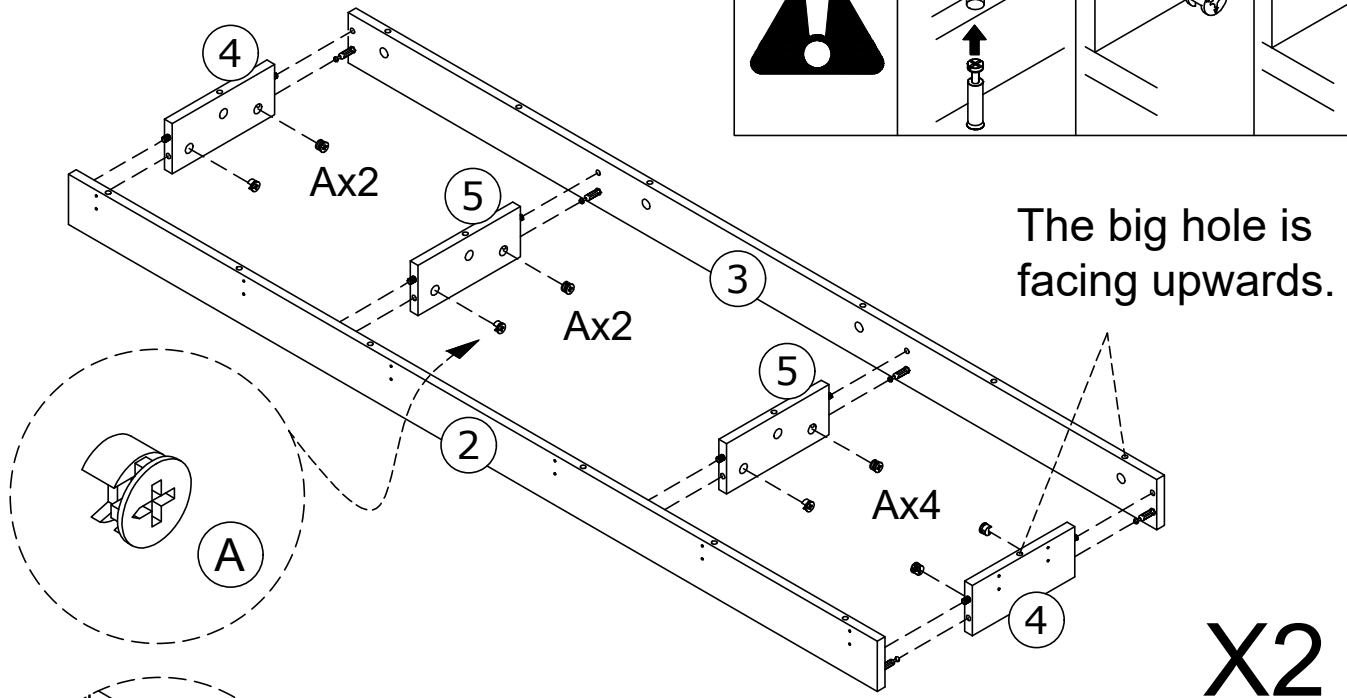
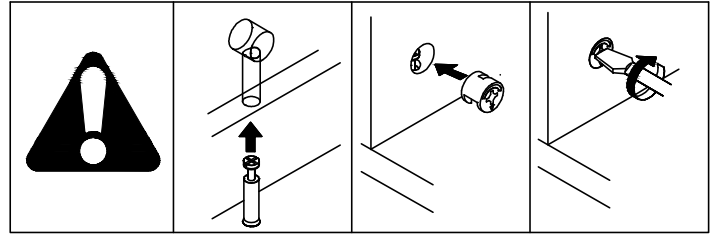
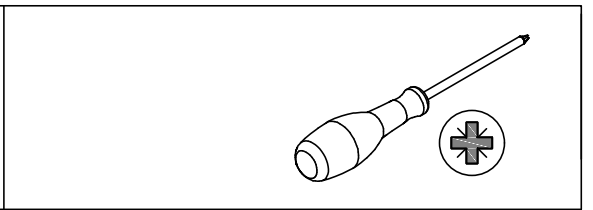
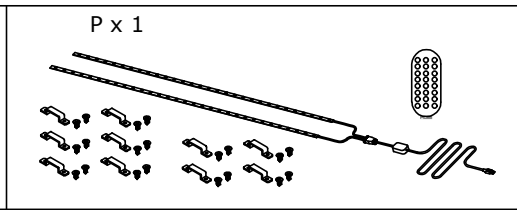
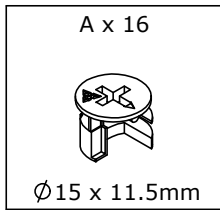


Cx4

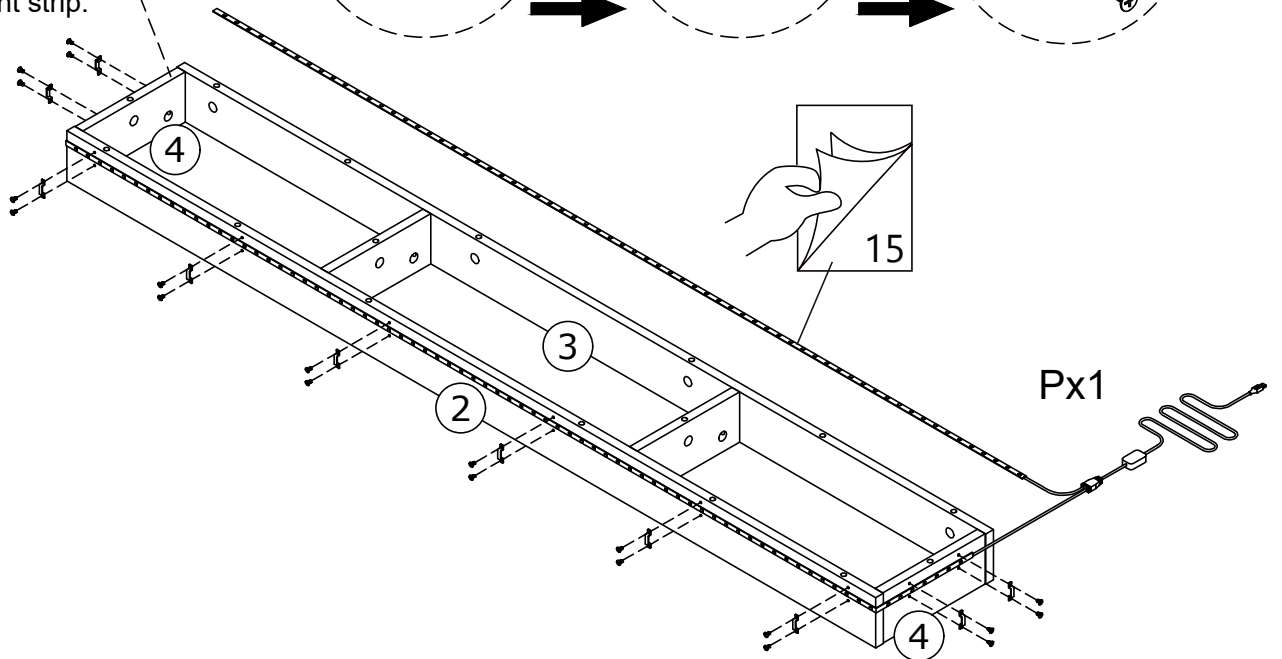


To prevent bulging caused by the expansion of cam bolts installed on the edge of the wooden board, please orient the opening of the plastic particles towards the edge, allowing them to expand towards the solid part of the board.

2

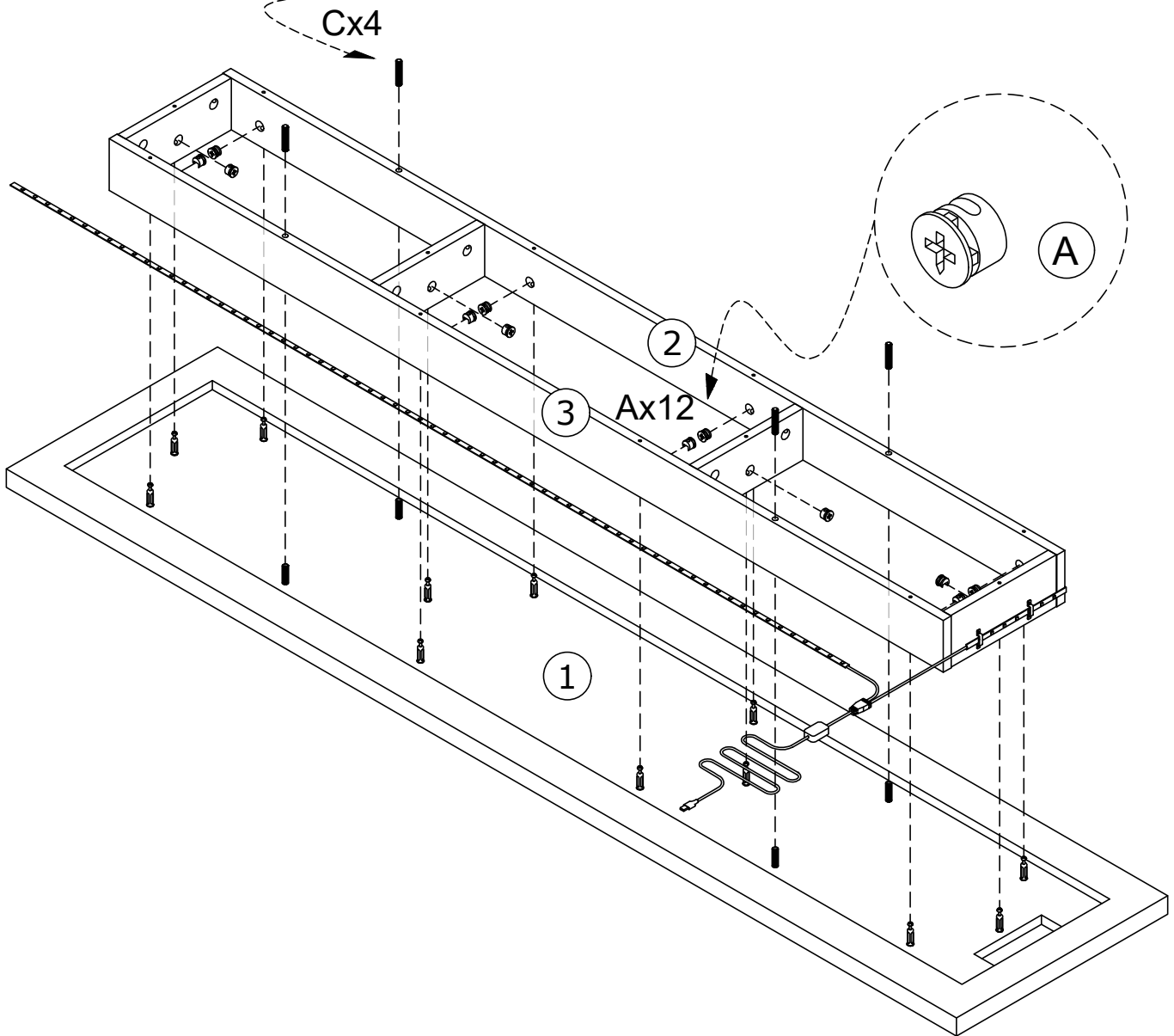
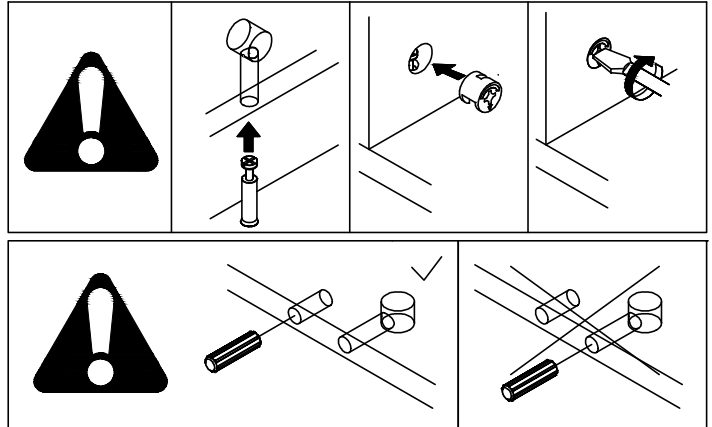
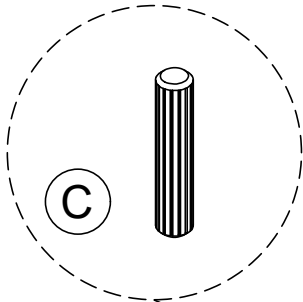


Installation starting point of light strip.

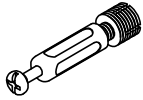
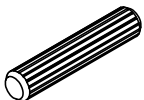
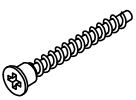
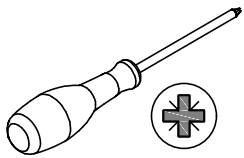


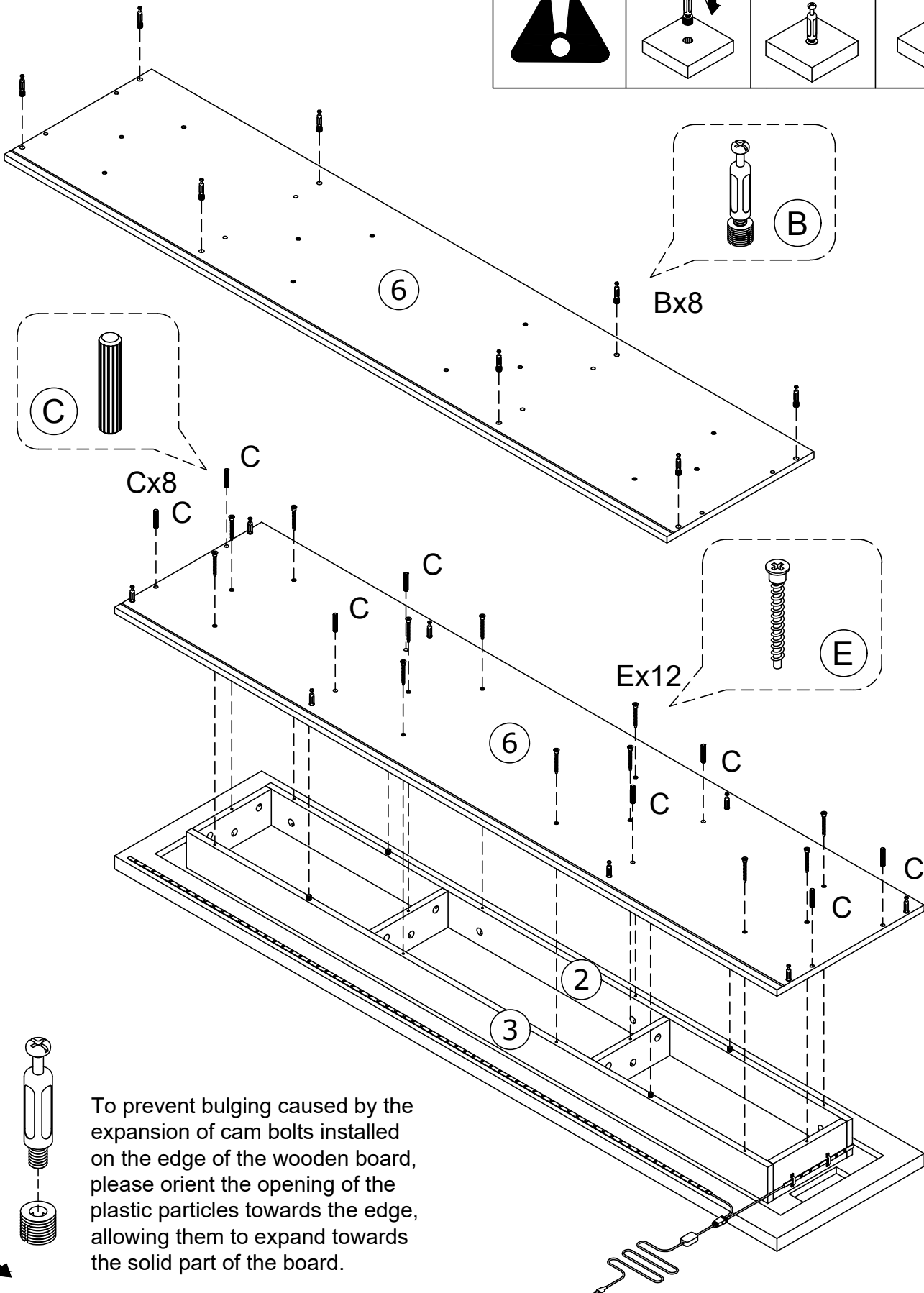
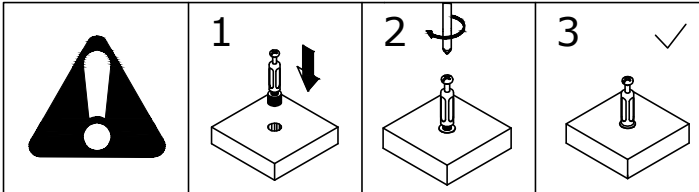
3

<p>A x 12</p>  <p>Ø15 x 11.5mm</p>	<p>C x 4</p>  <p>Ø8 x 40 mm</p>	 
---	--	---



4


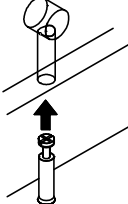
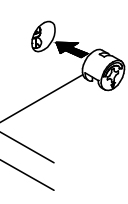
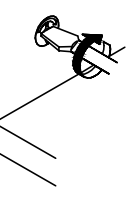
<p>B x 8</p>  <p>Ø7 x 40 mm</p>	<p>C x 8</p>  <p>Ø8 x 40 mm</p>	<p>E x 12</p>  <p>Ø5 x 40 mm</p>	
--	--	---	--


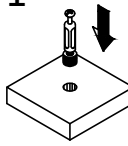
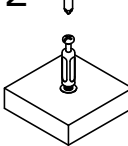
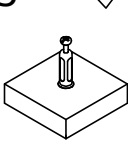


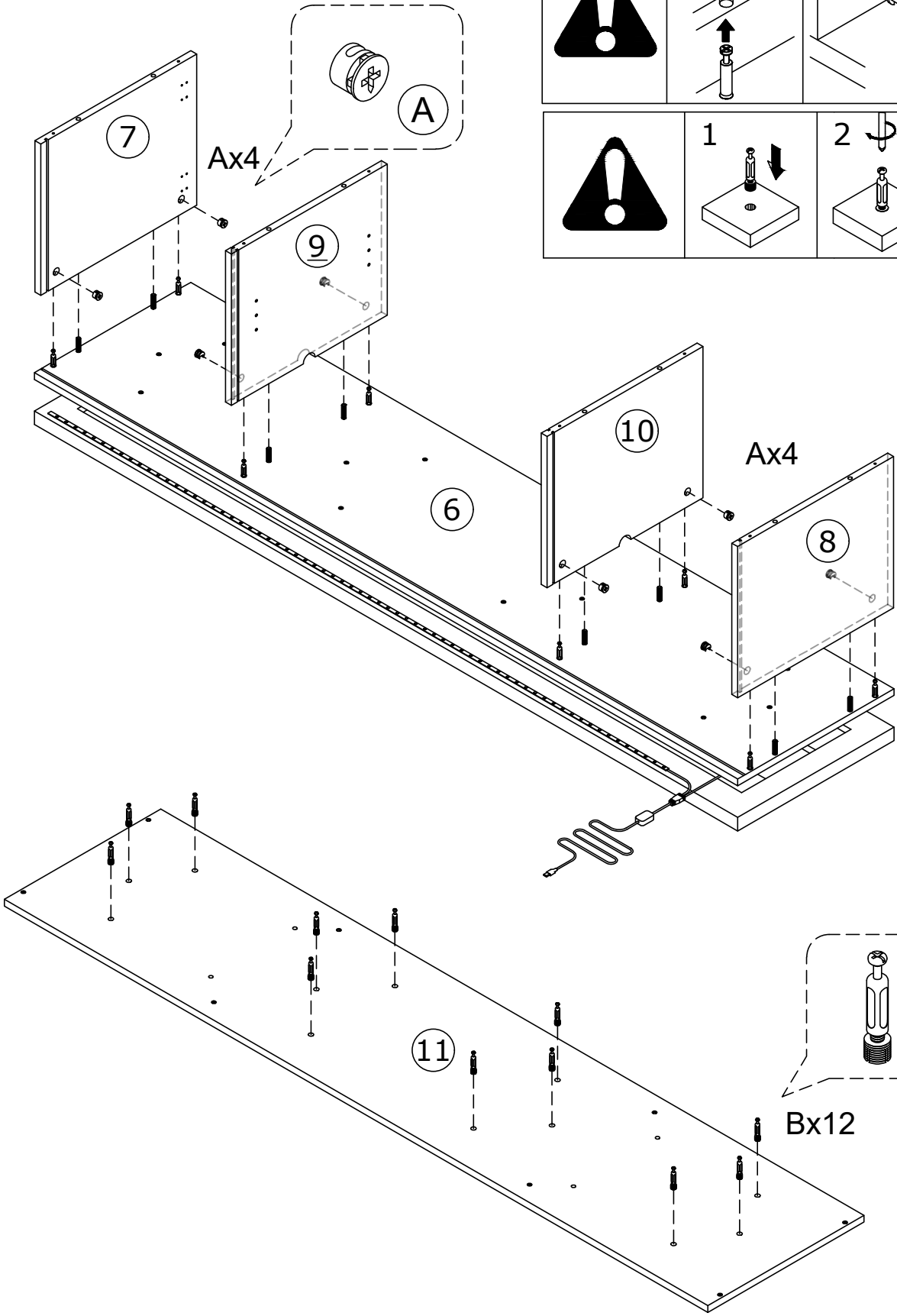
To prevent bulging caused by the expansion of cam bolts installed on the edge of the wooden board, please orient the opening of the plastic particles towards the edge, allowing them to expand towards the solid part of the board.

5

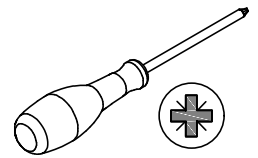
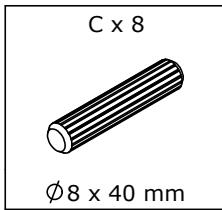
<p>A x 8</p>  <p>Ø15 x 11.5mm</p>	<p>B x 12</p>  <p>Ø7 x 40 mm</p>	
--	---	---

			
---	---	---	---

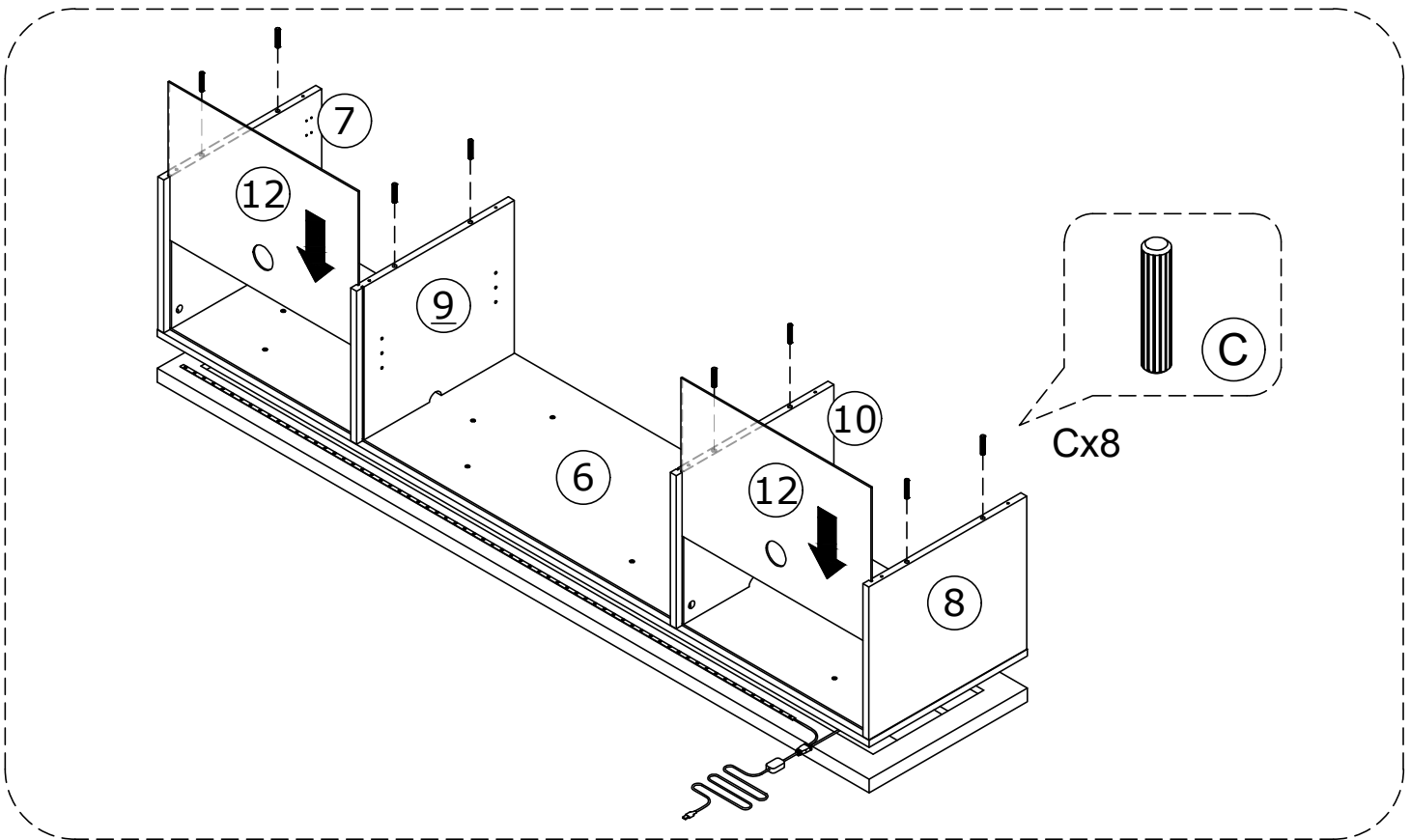
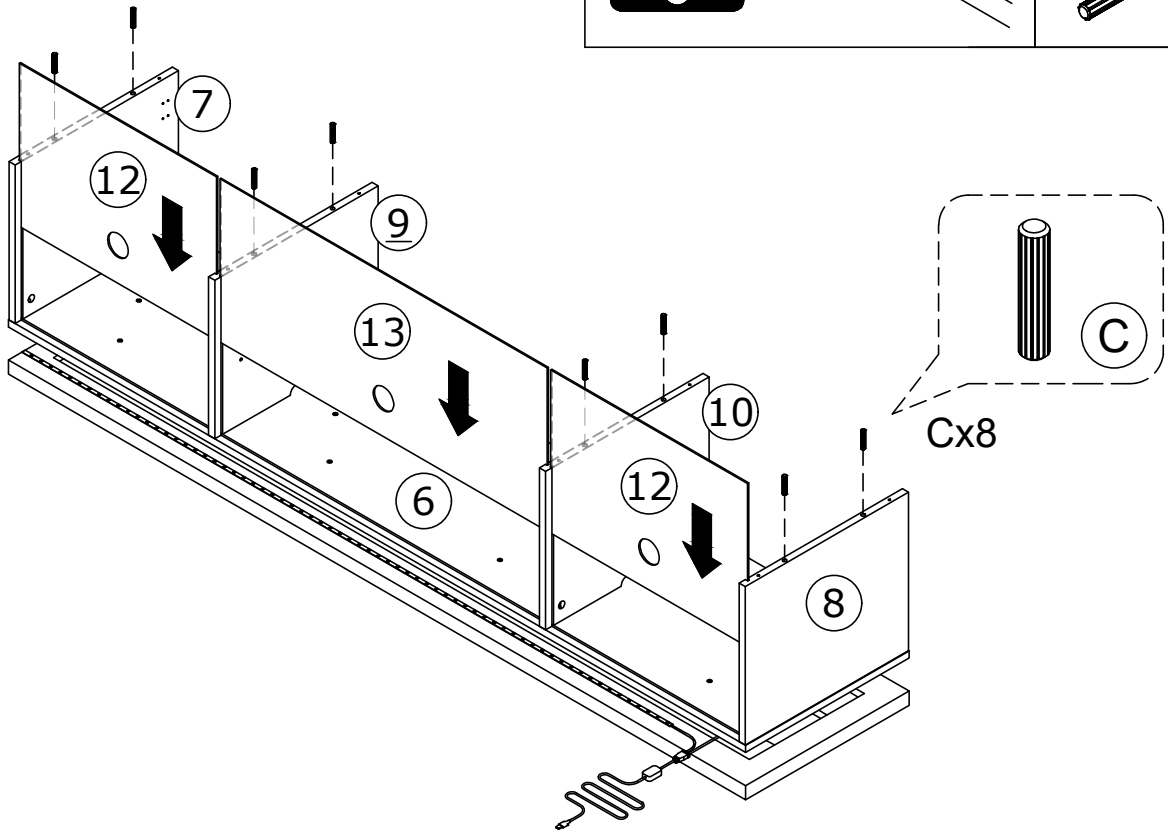
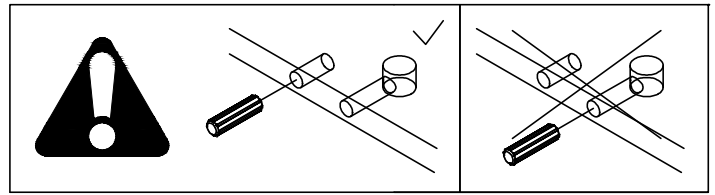
	<p>1</p> 	<p>2</p> 	<p>3</p> 
---	--	--	--



6



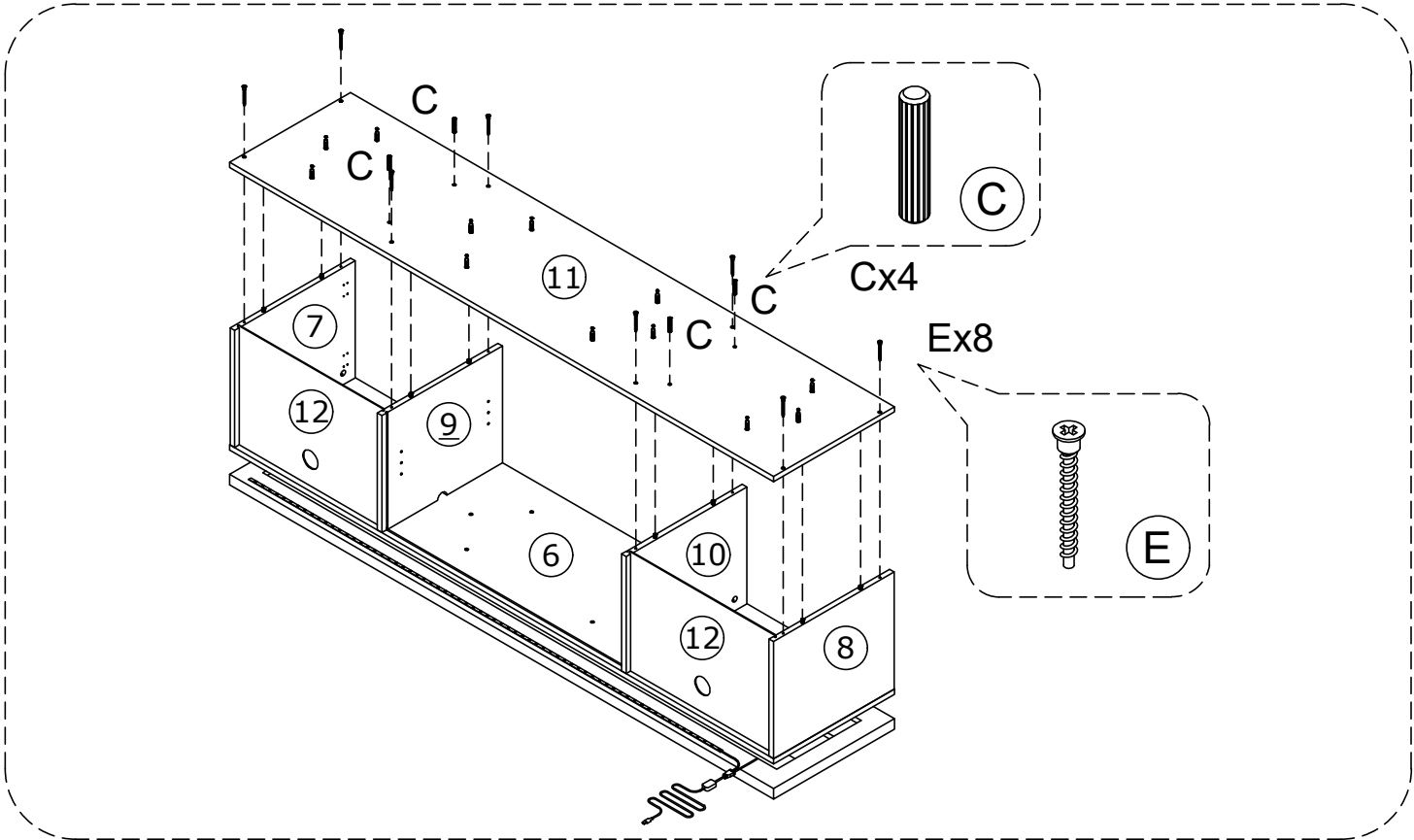
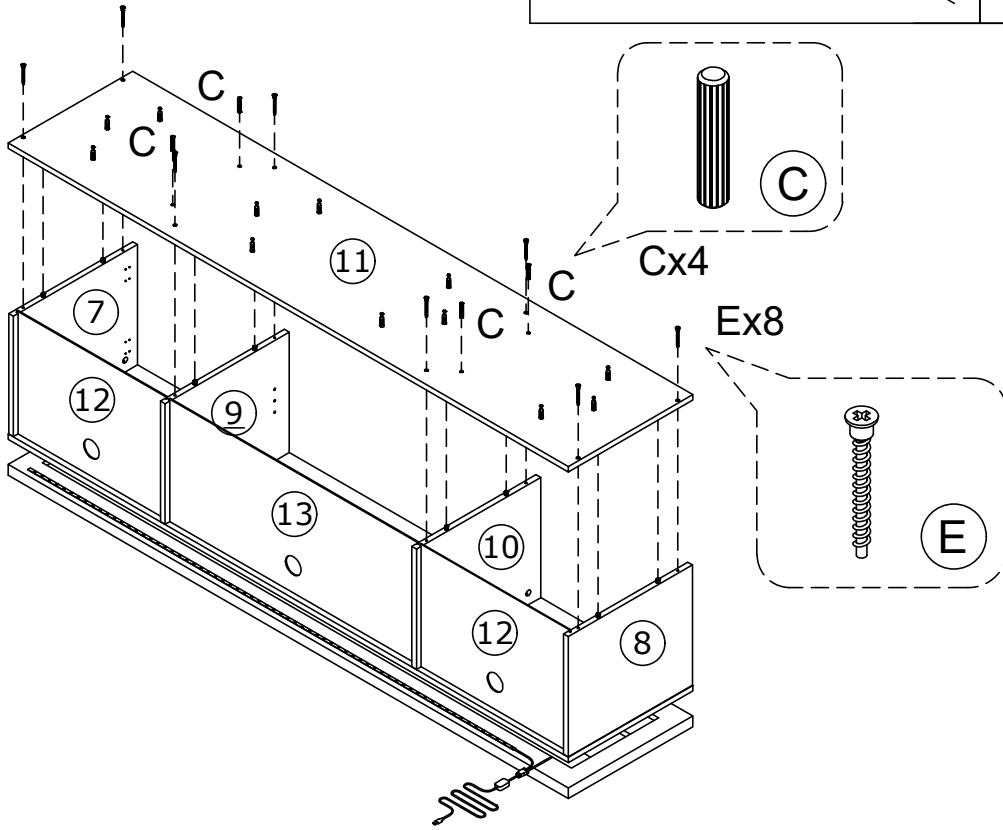
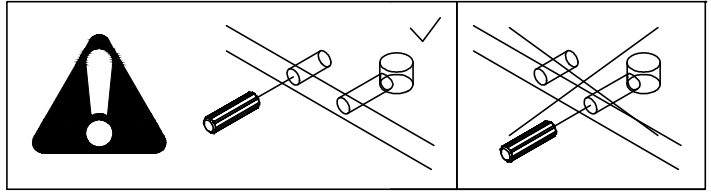
To assemble a cabinet with a fireplace, please follow the steps outlined in the dashed box.



7



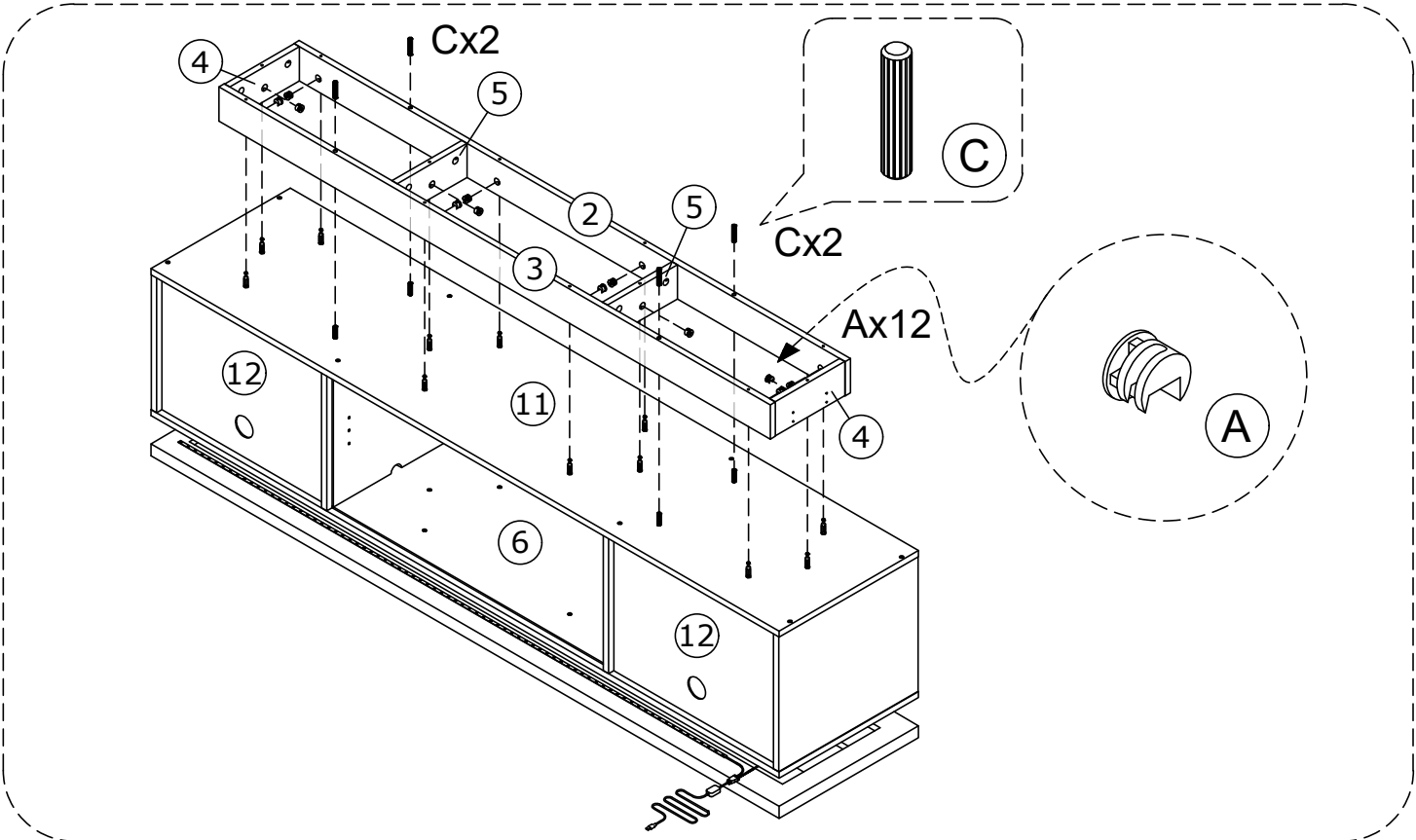
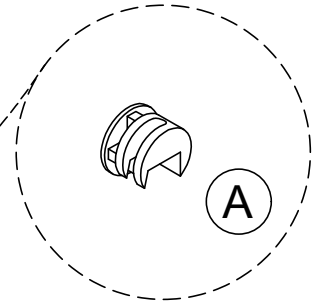
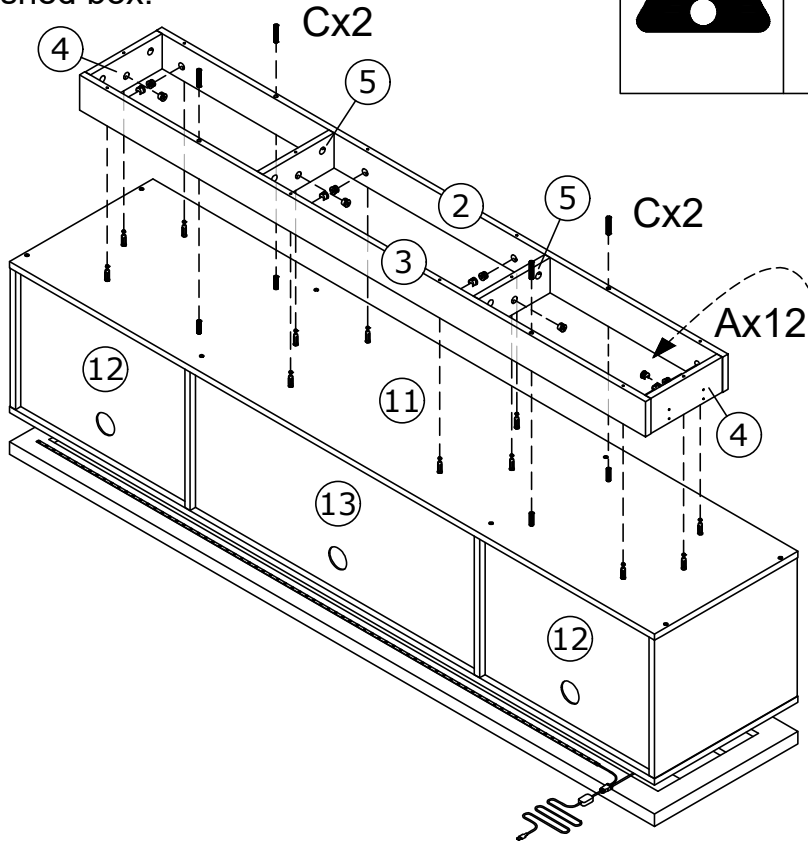
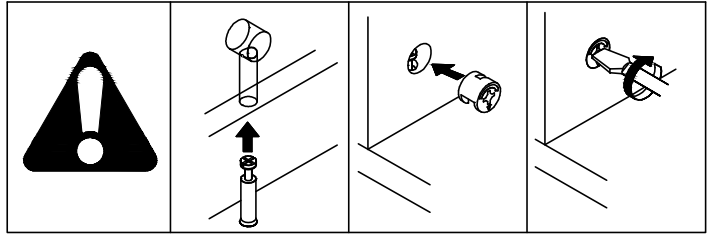
To assemble a cabinet with a fireplace, please follow the steps outlined in the dashed box.



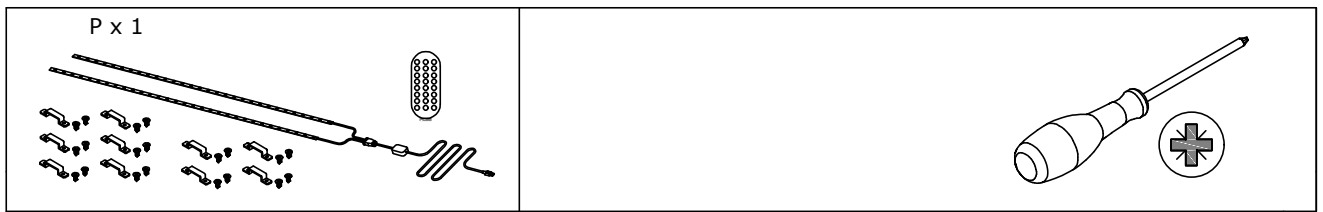
8

<p>A x 12</p>  <p>Ø15 x 11.5mm</p>	<p>C x 4</p>  <p>Ø8 x 40 mm</p>	 
---	--	--

To assemble a cabinet with a fireplace, please follow the steps outlined in the dashed box.

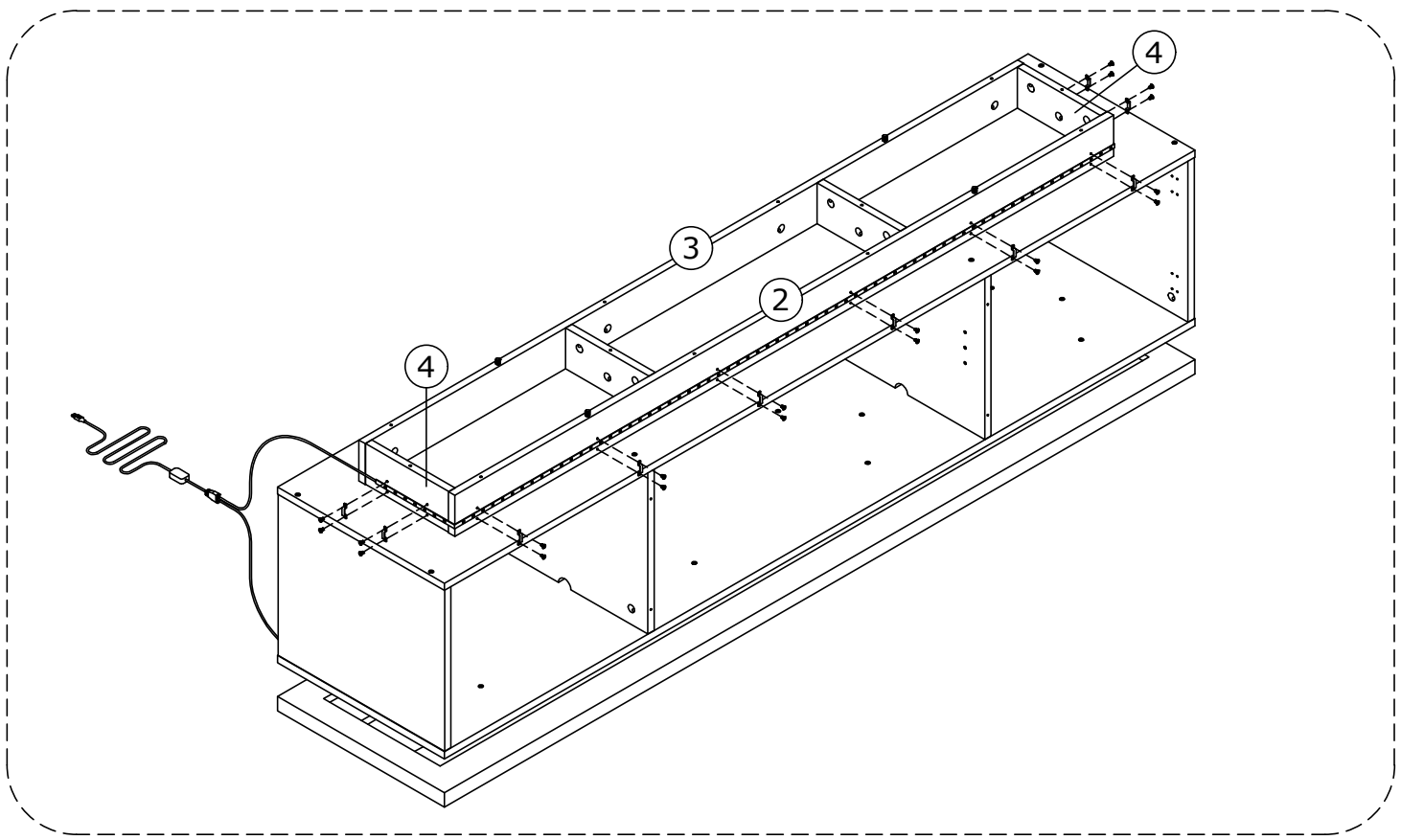
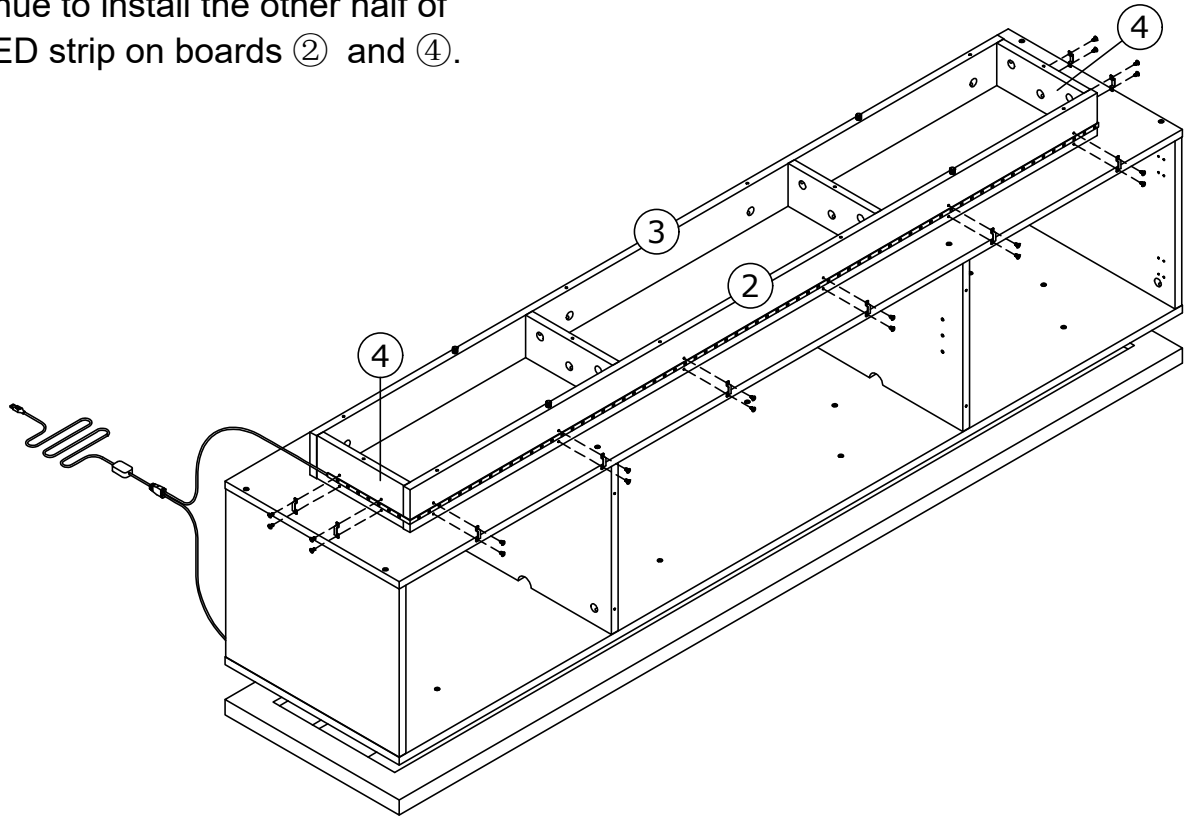


9




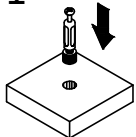
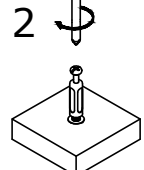
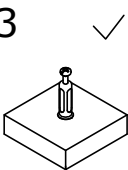
To assemble a cabinet with a fireplace, please follow the steps outlined in the dashed box.

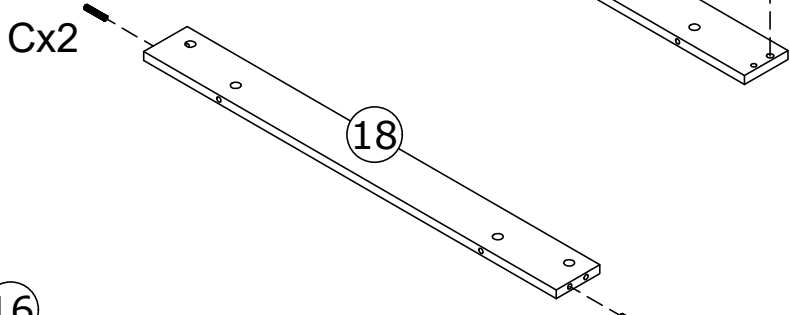
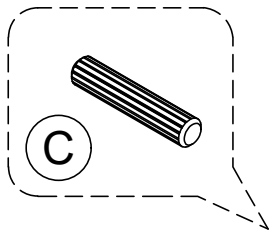
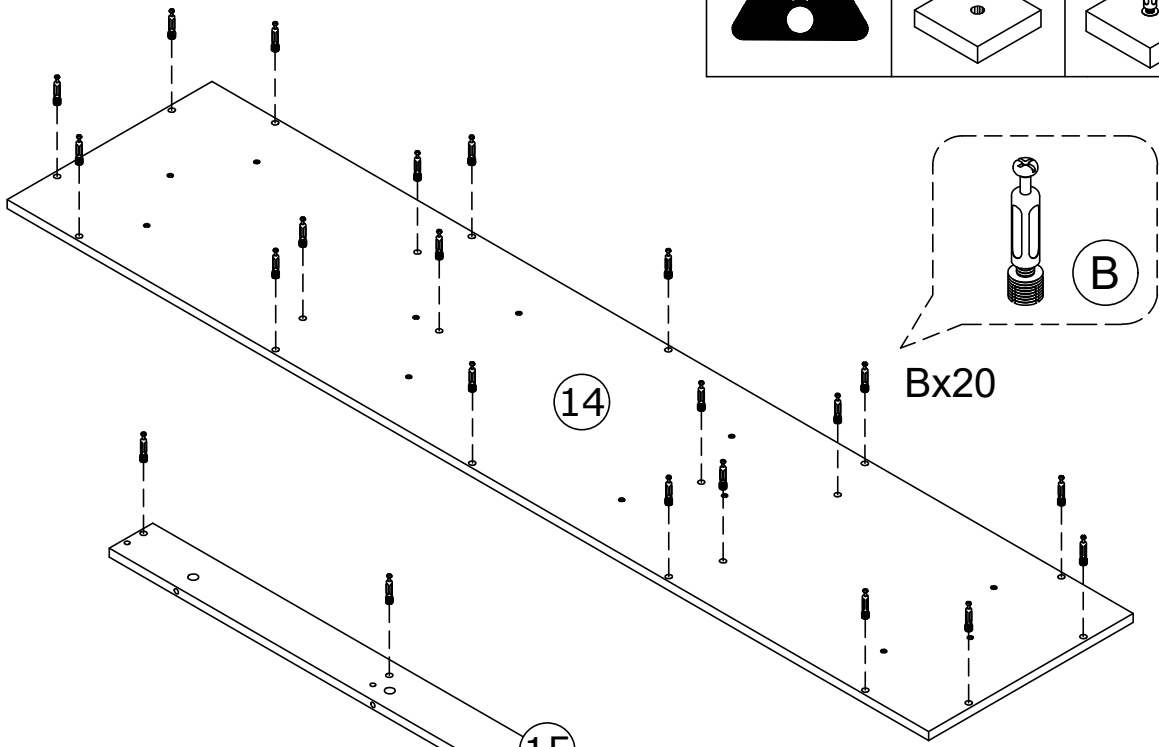
Continue to install the other half of the LED strip on boards ② and ④.



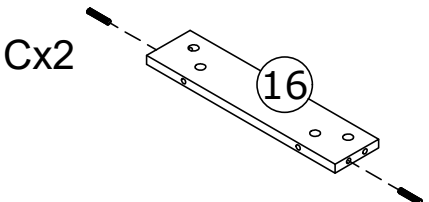
10

<p>B x 30</p>  <p>Ø7 x 40 mm</p>	<p>C x 10</p>  <p>Ø8 x 40 mm</p>	 
---	---	---

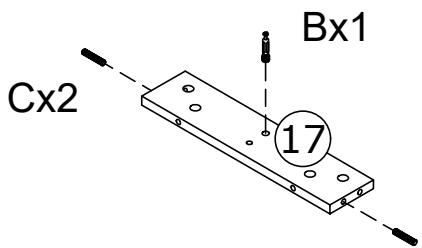
	<p>1</p> 	<p>2</p> 	<p>3</p> 
---	--	--	--



X2

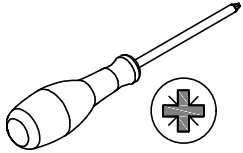
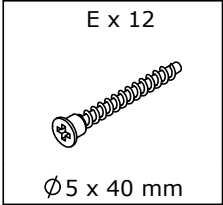


X2

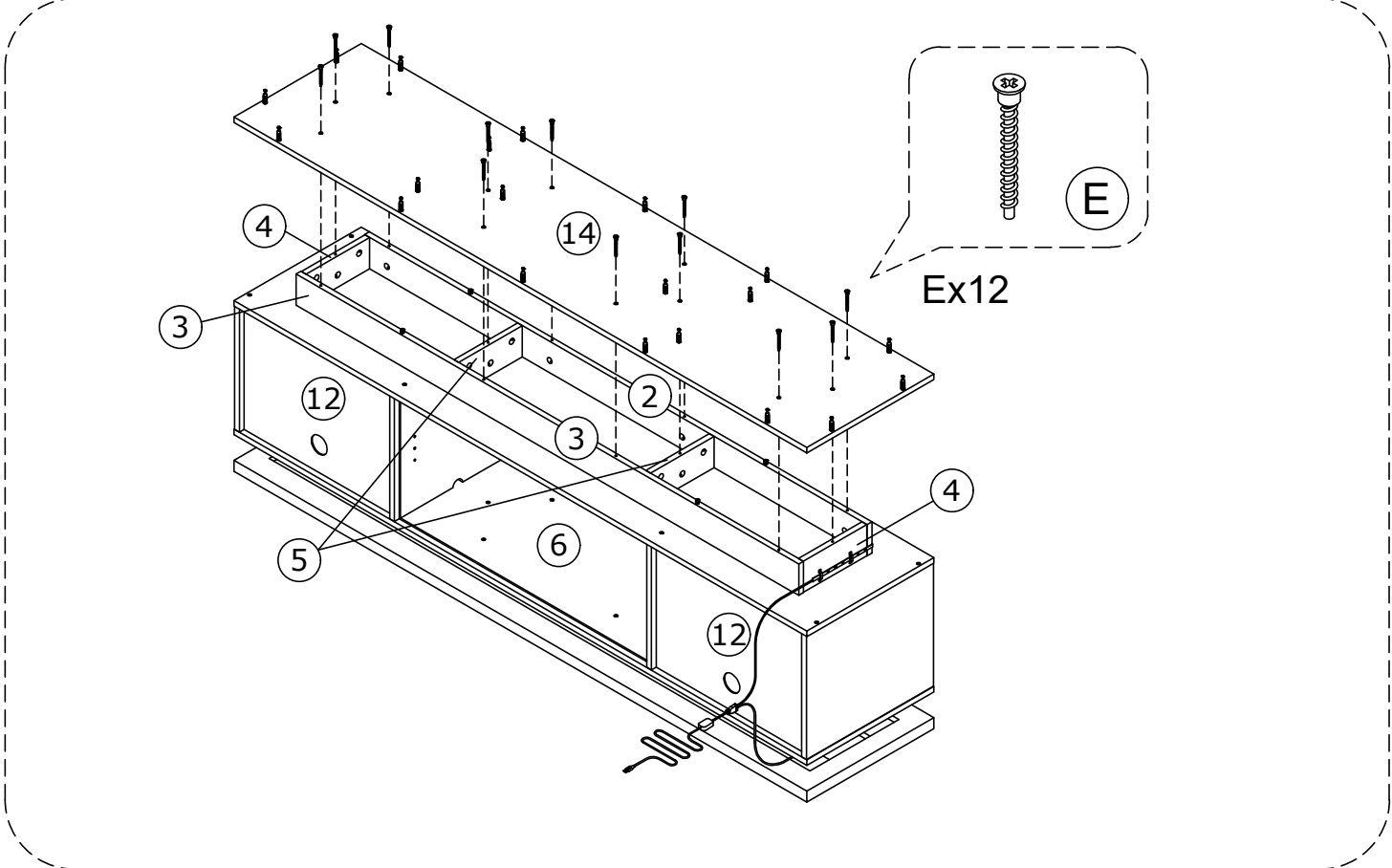
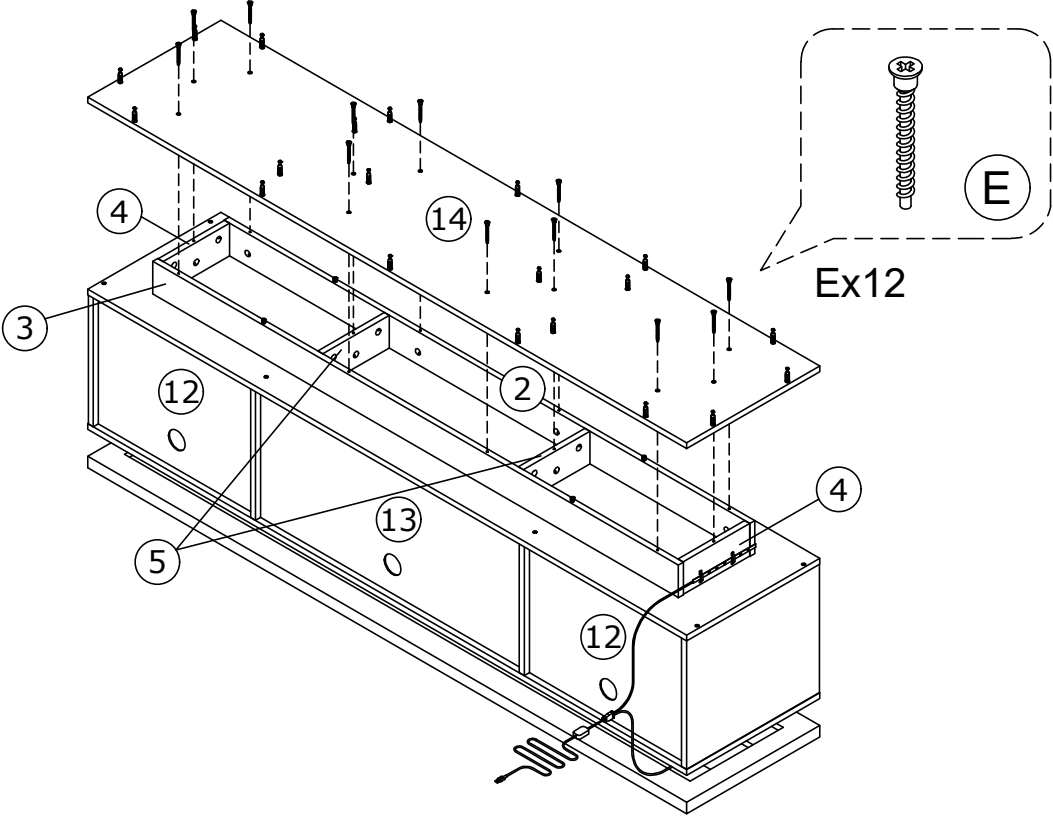


X2

11



To assemble a cabinet with a fireplace, please follow the steps outlined in the dashed box.

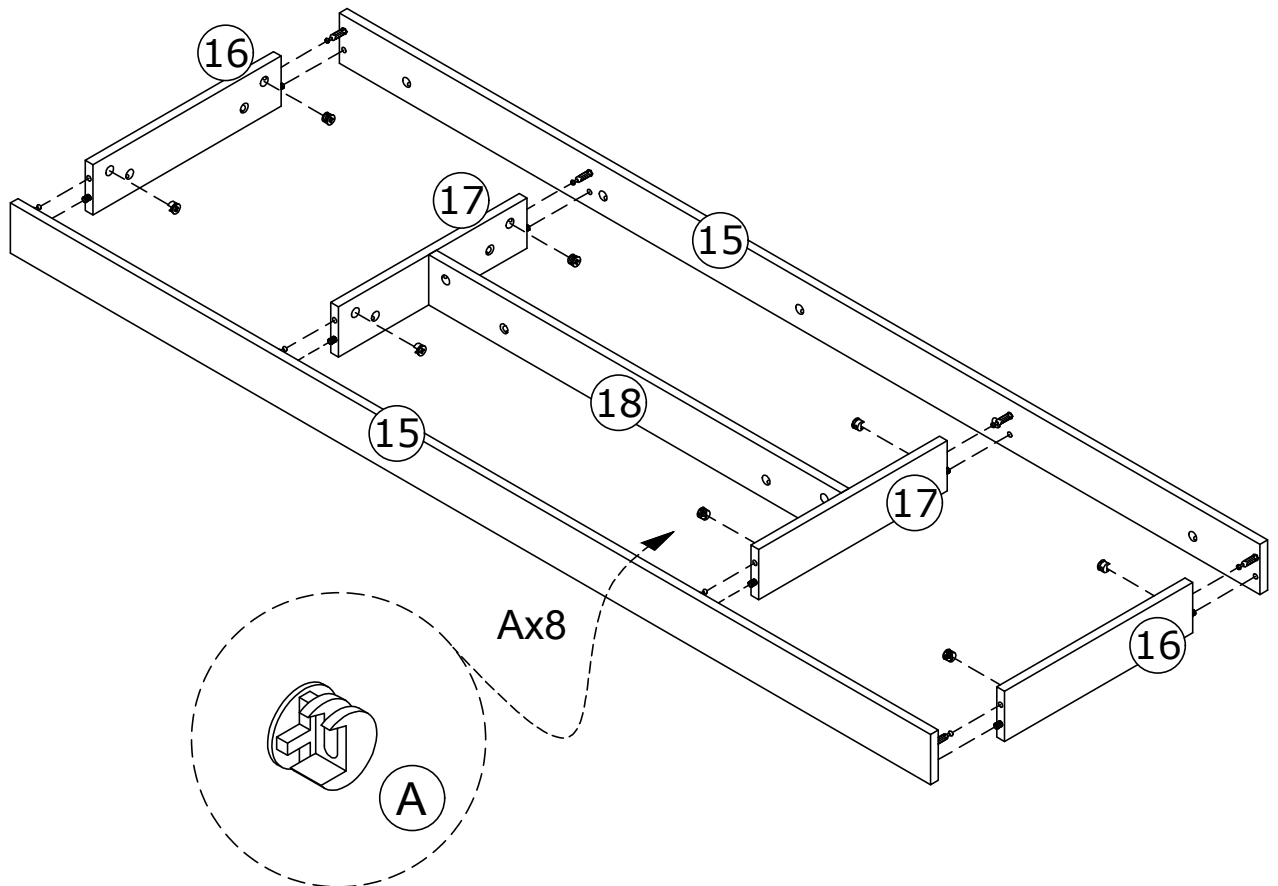
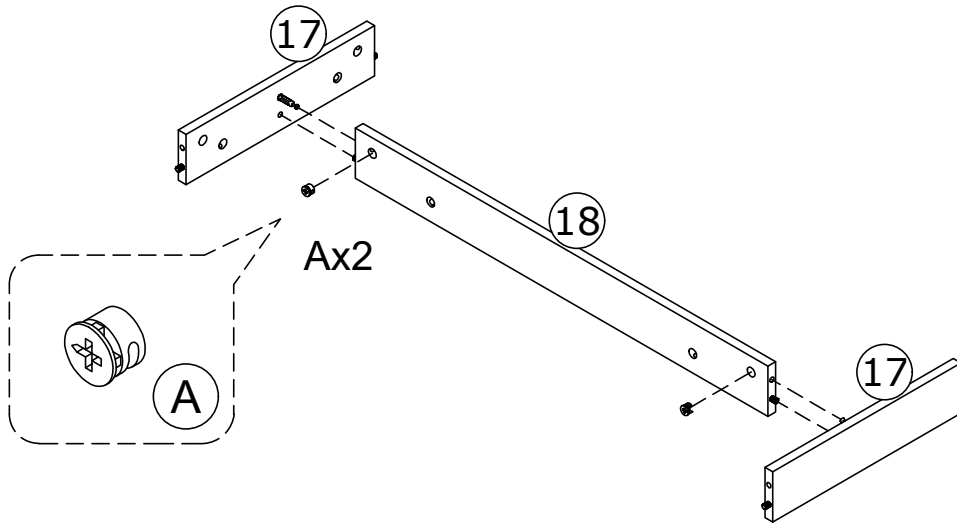
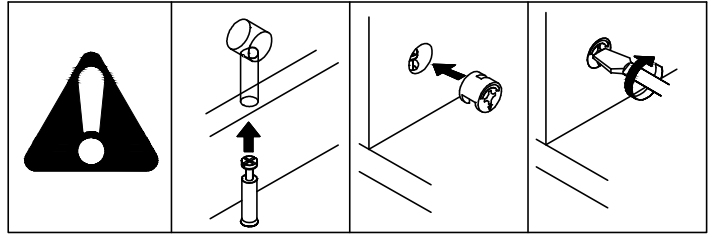
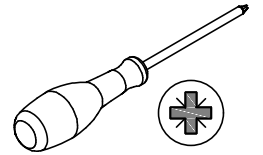


12

A x 10



Ø15 x 11.5mm



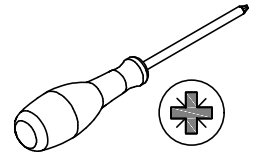
13

A x 20

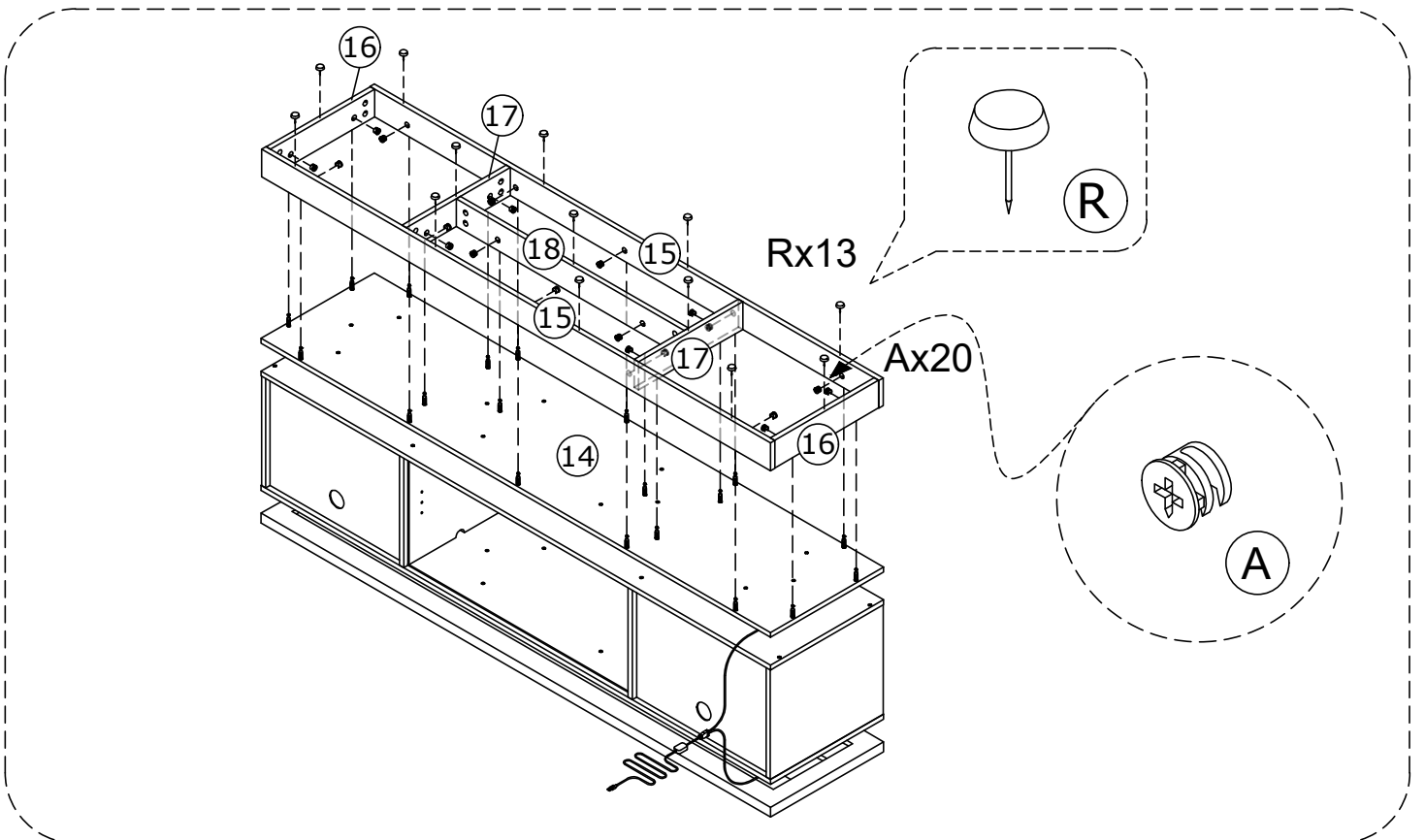
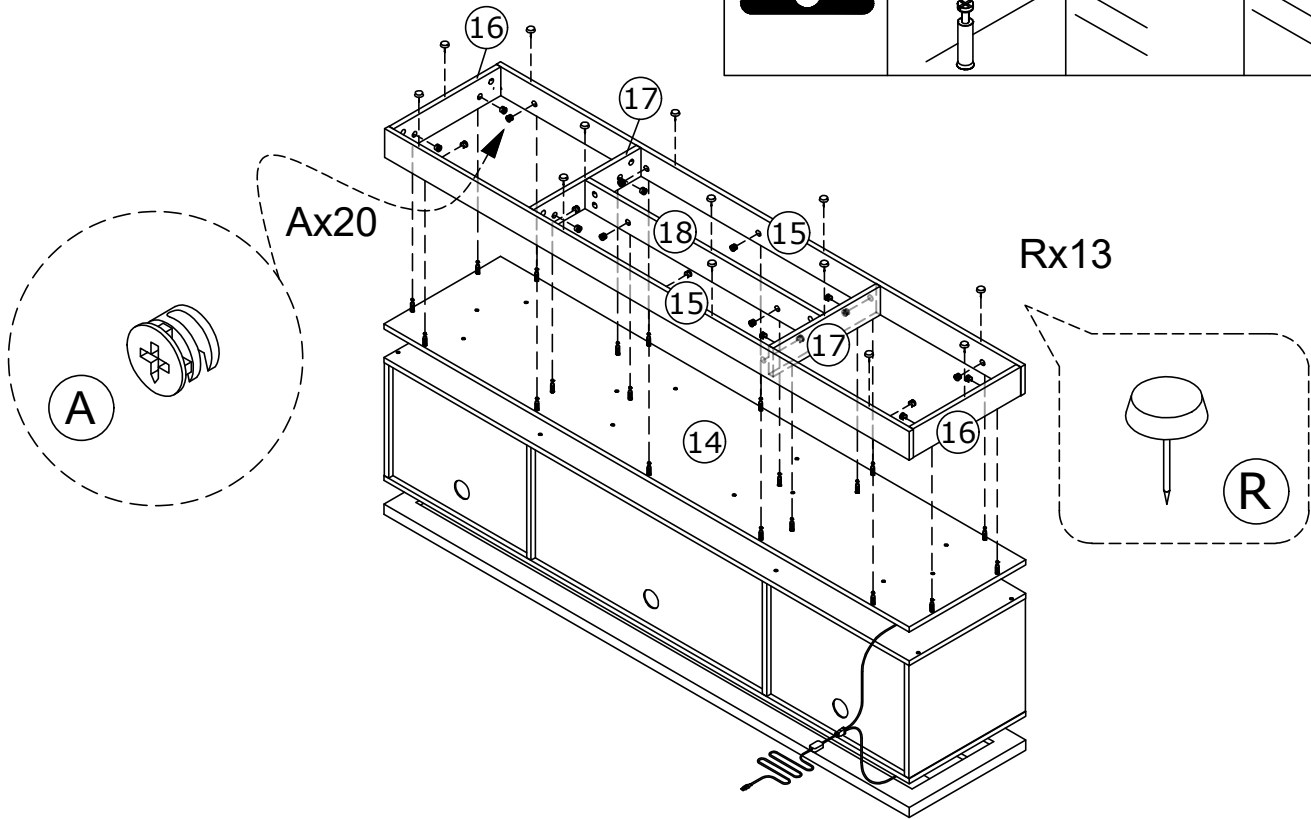
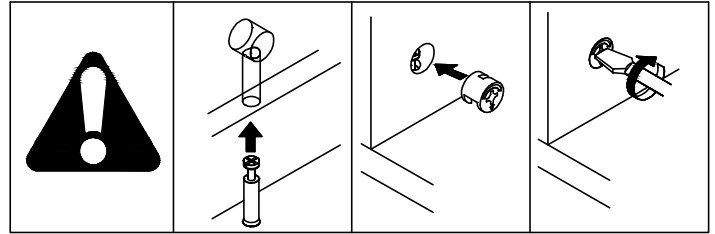


Ø15 x 11.5mm

R x 13

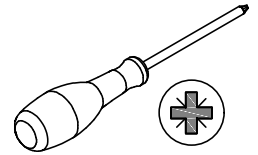


To assemble a cabinet with a fireplace, please follow the steps outlined in the dashed box.

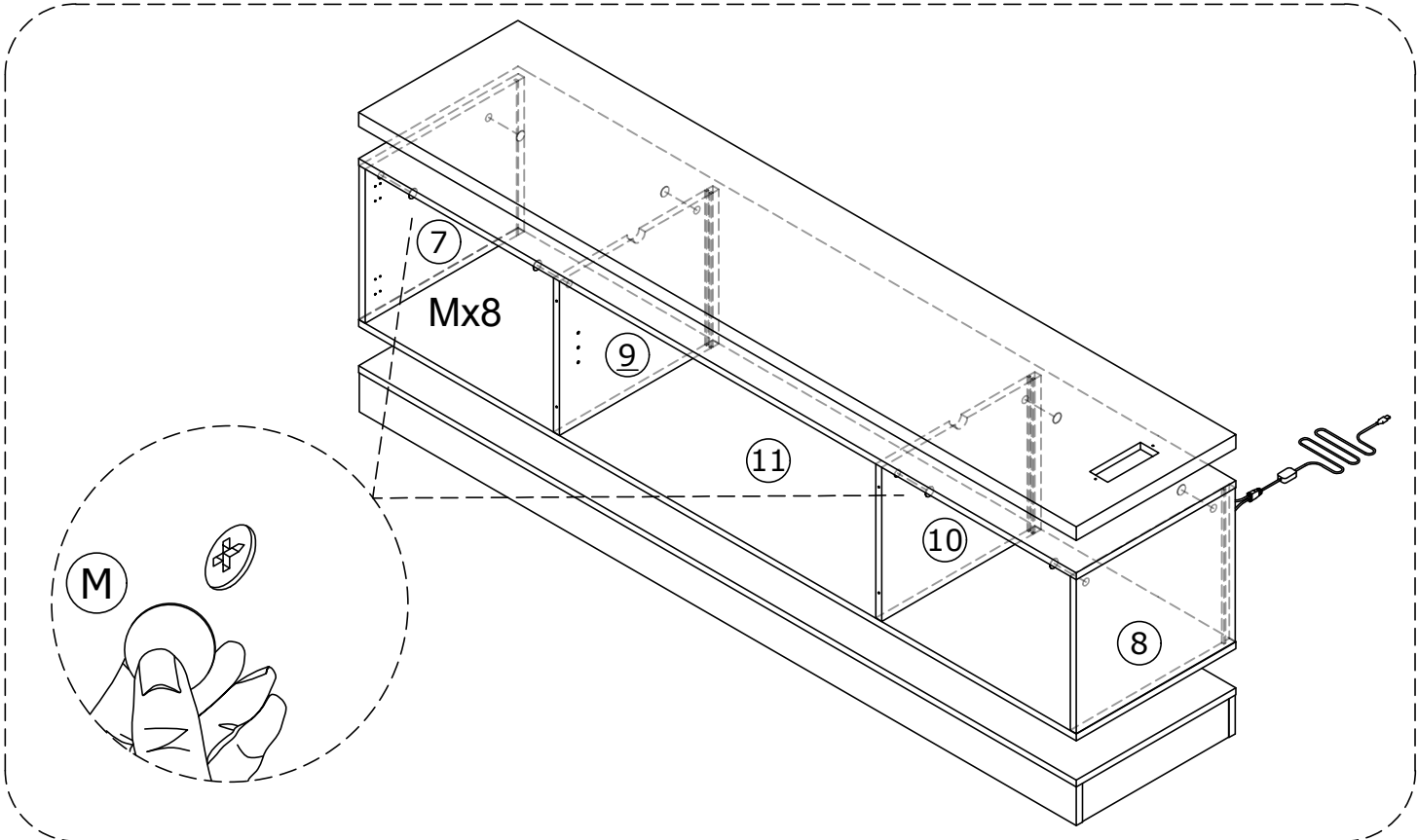
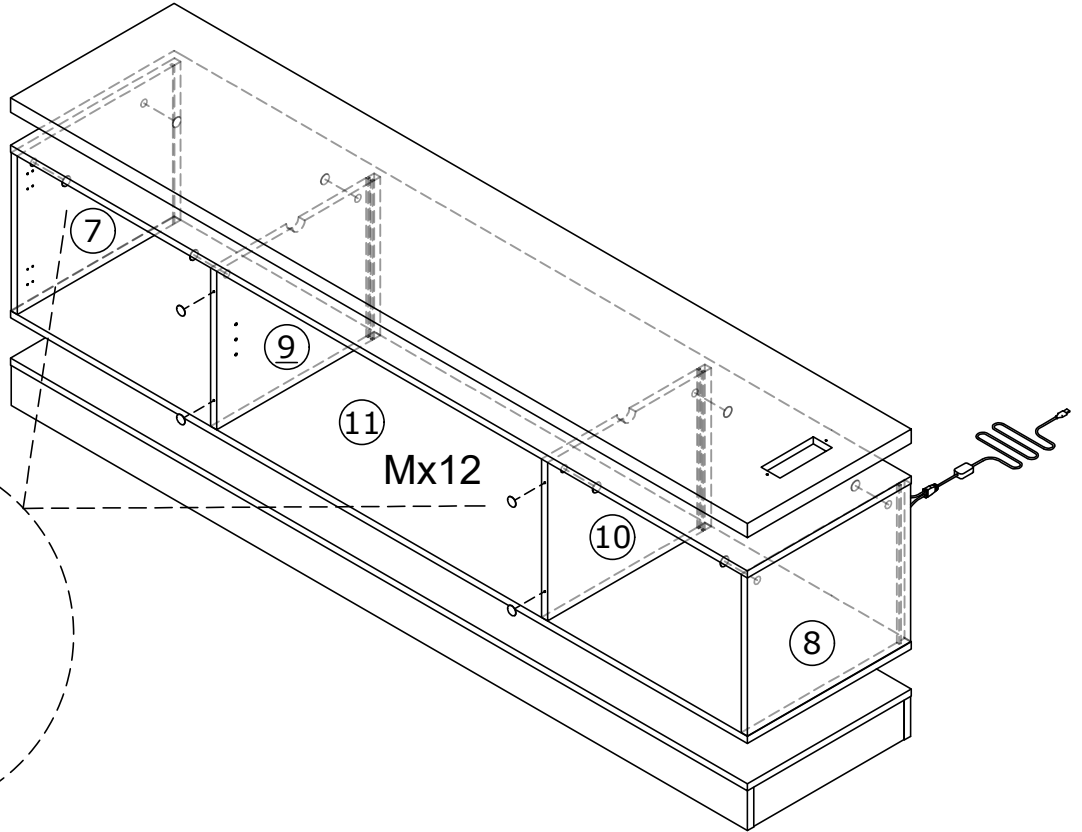


14

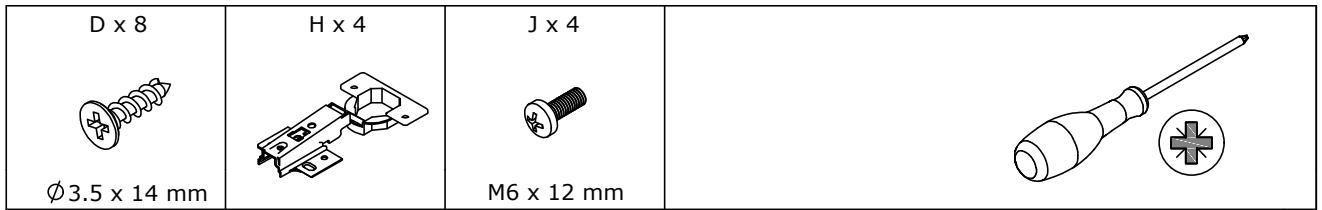
M x 12



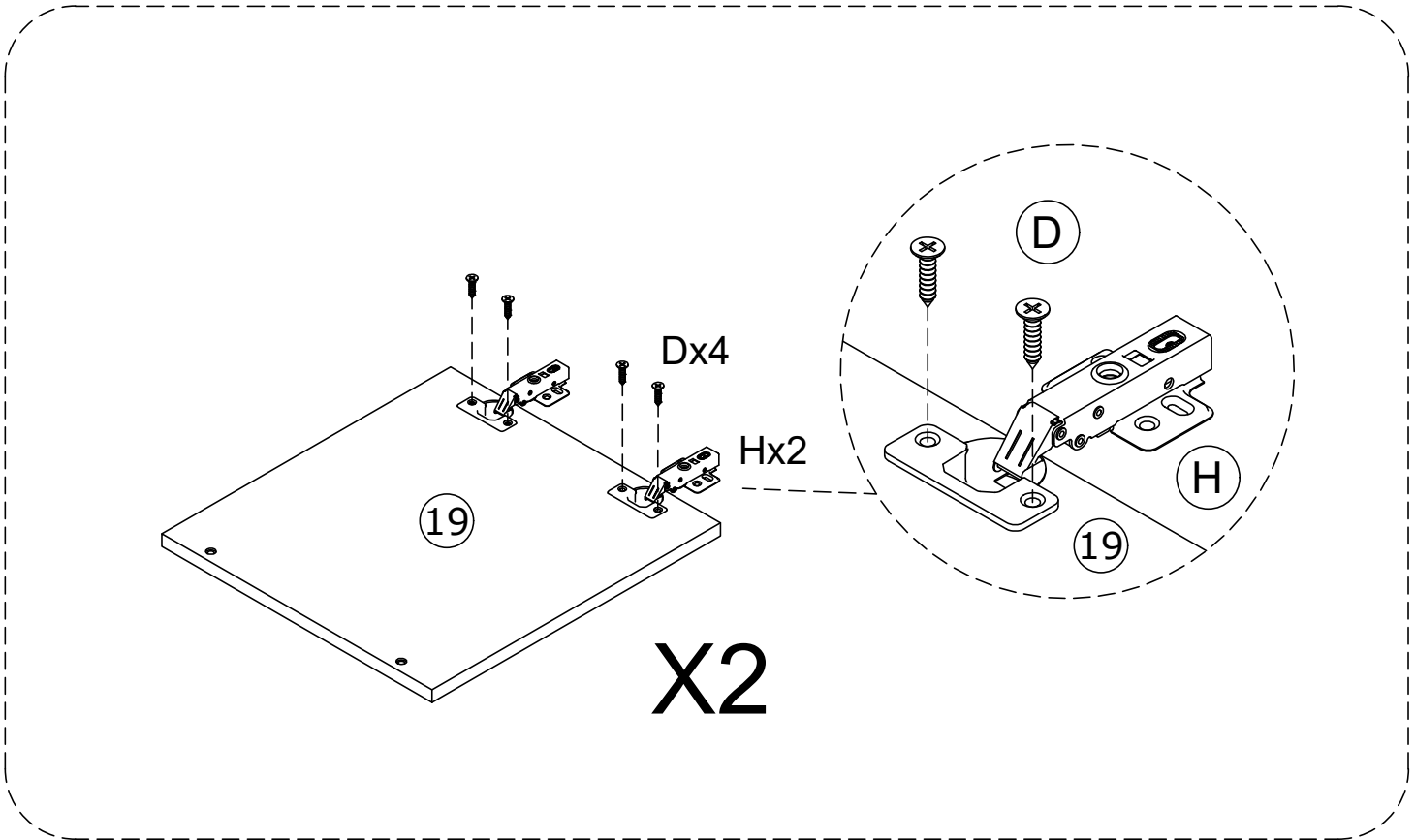
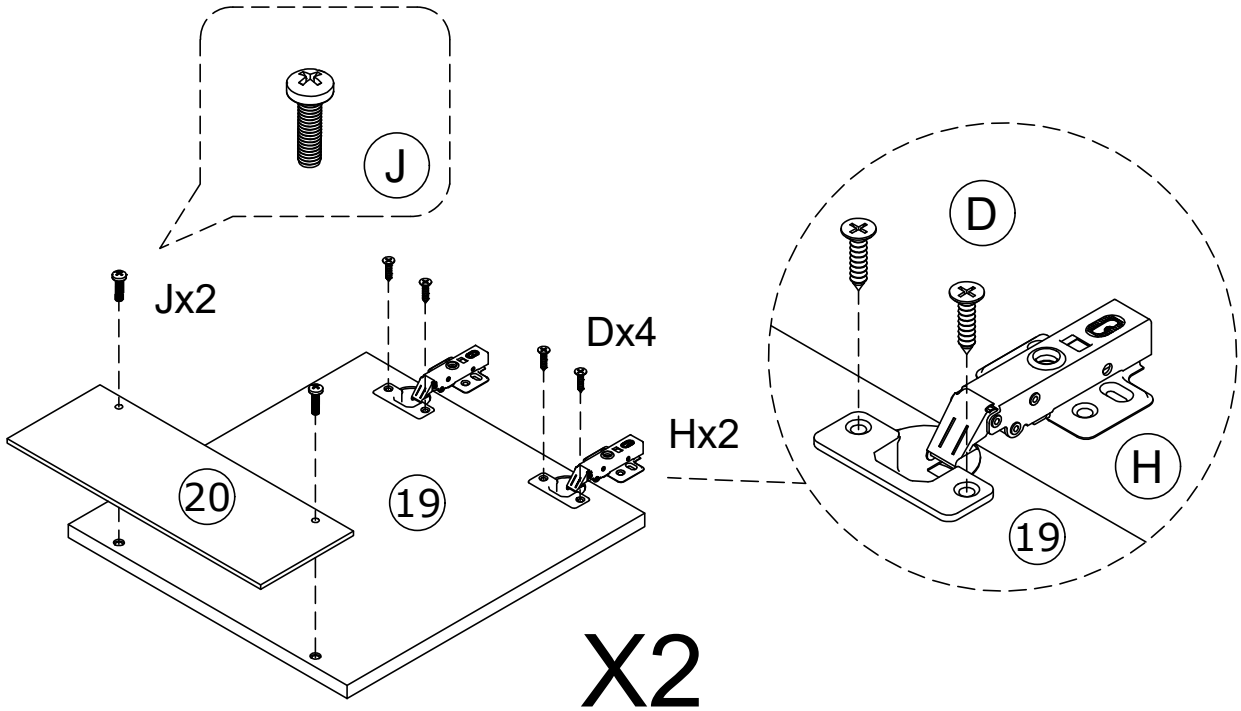
To assemble a cabinet with a fireplace, please follow the steps outlined in the dashed box.



15



To assemble a cabinet with a fireplace, please follow the steps outlined in the dashed box.

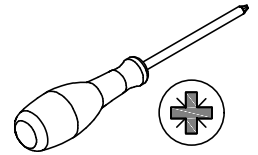


16

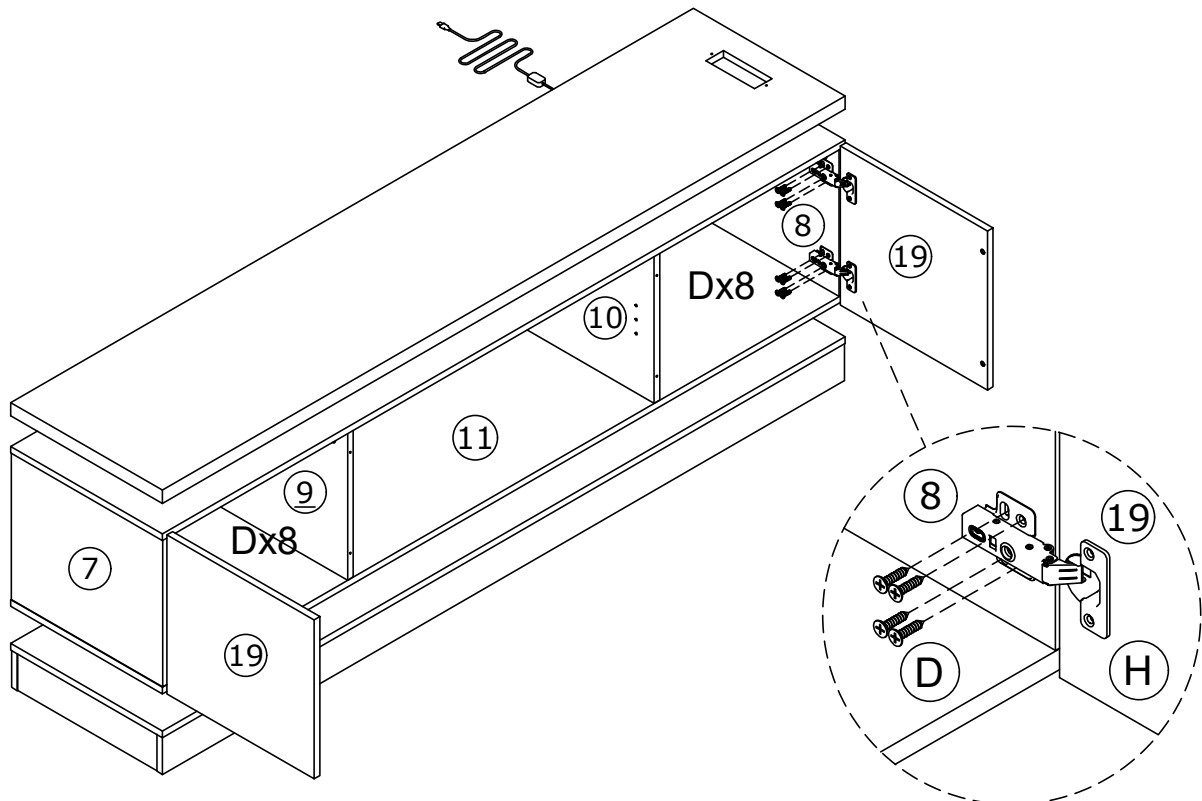
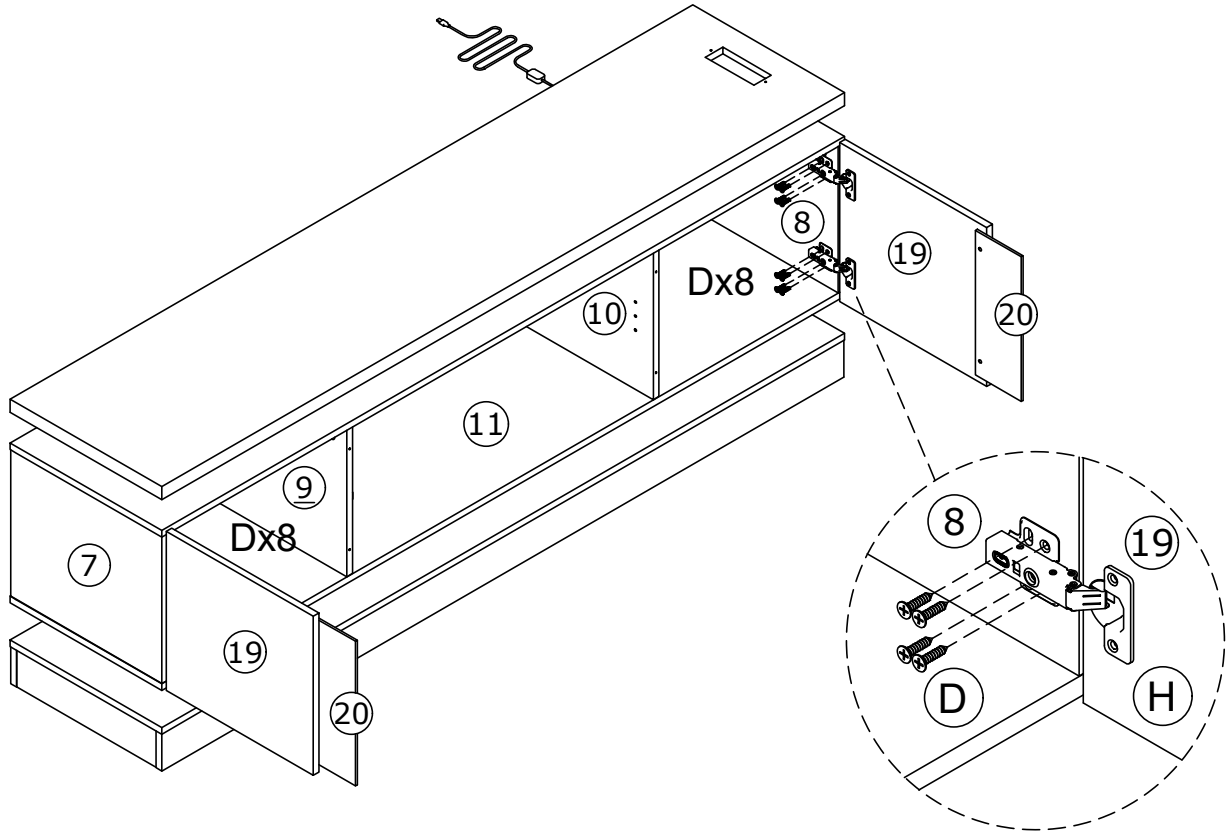
D x 16



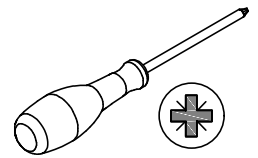
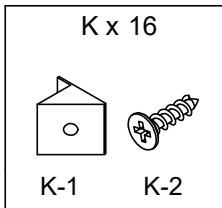
Ø3.5 x 14 mm



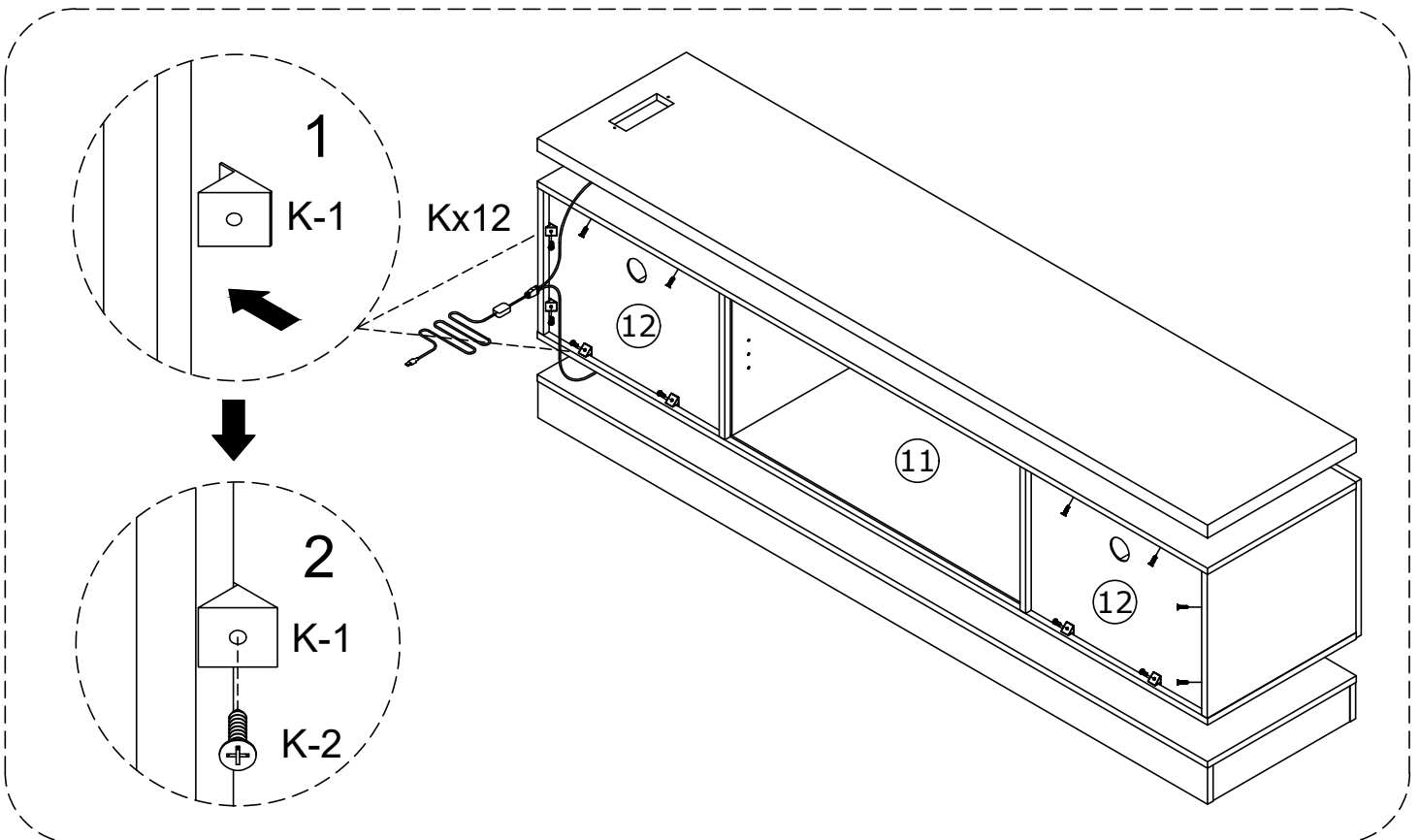
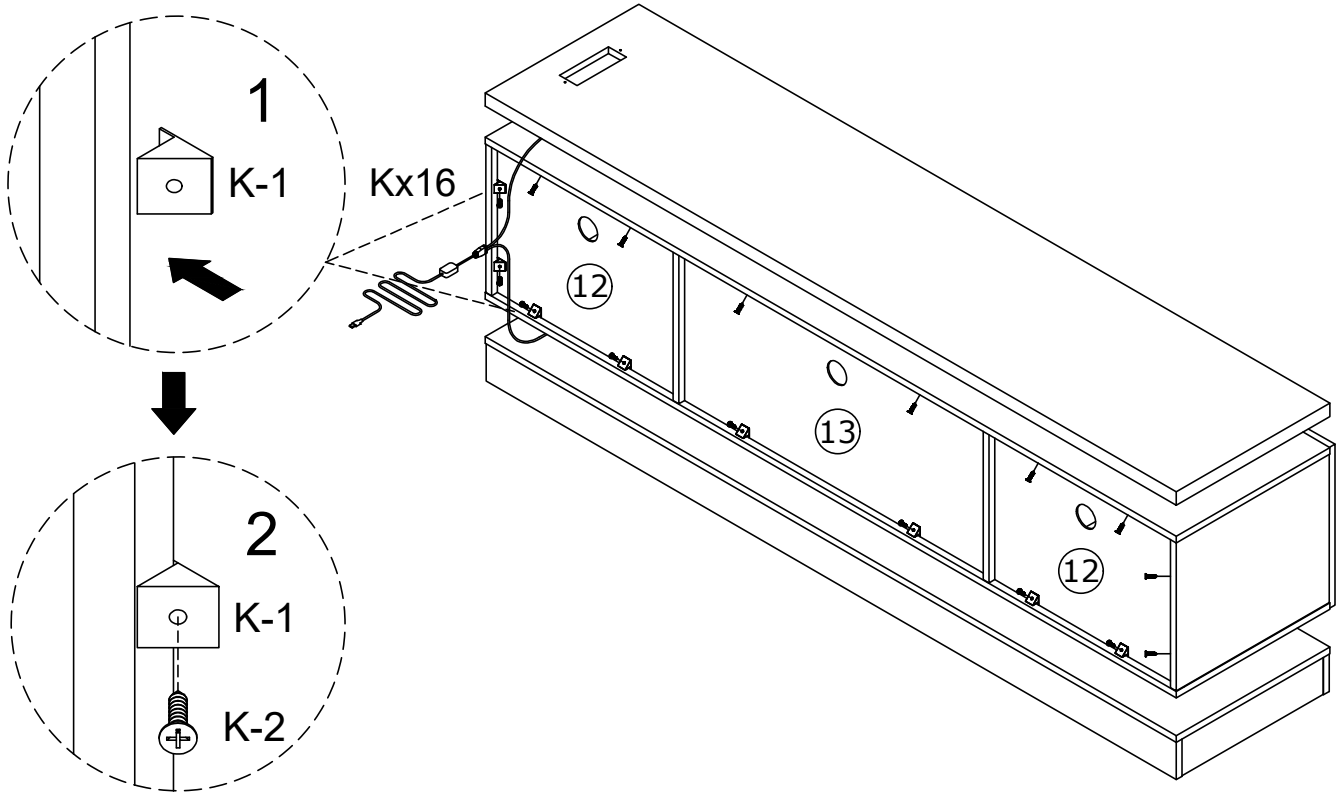
To assemble a cabinet with a fireplace, please follow the steps outlined in the dashed box.



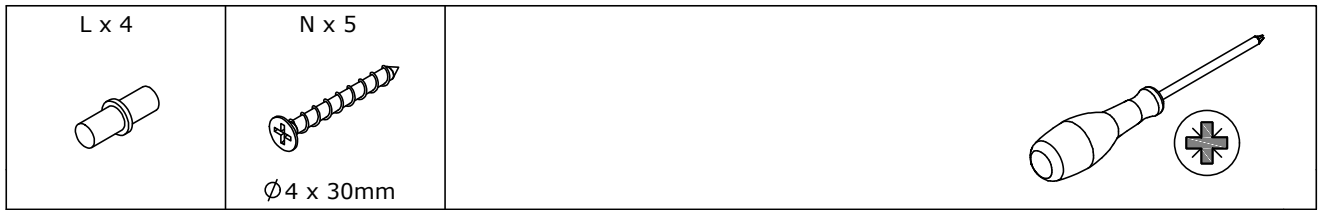
17



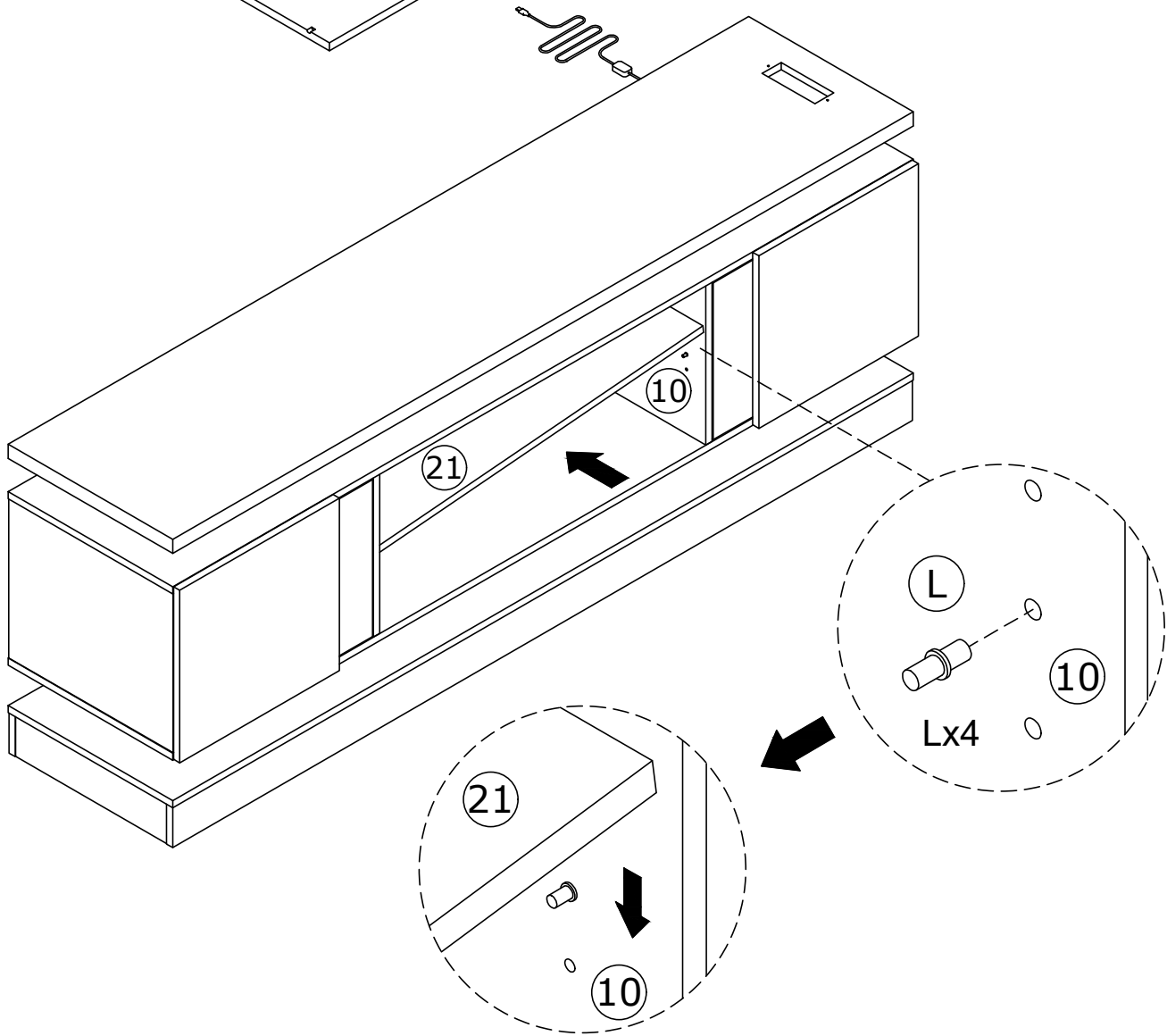
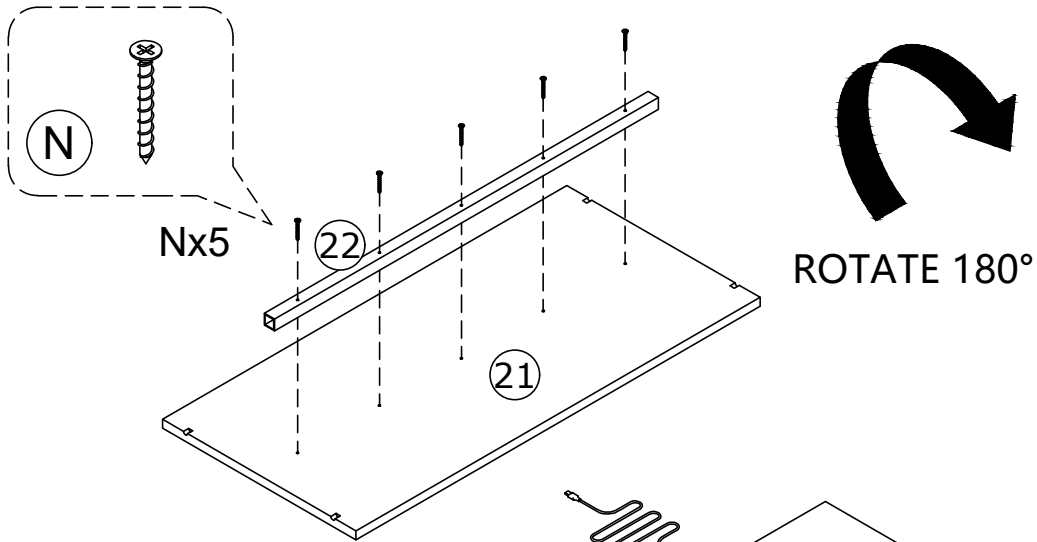
To assemble a cabinet with a fireplace, please follow the steps outlined in the dashed box.



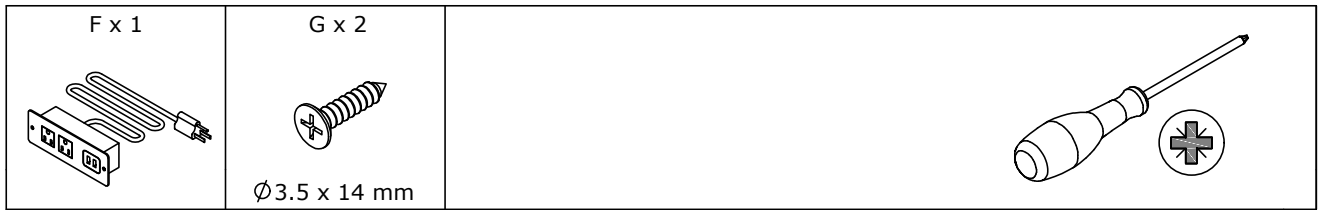
18



To assemble a cabinet with a fireplace, please skip this step.

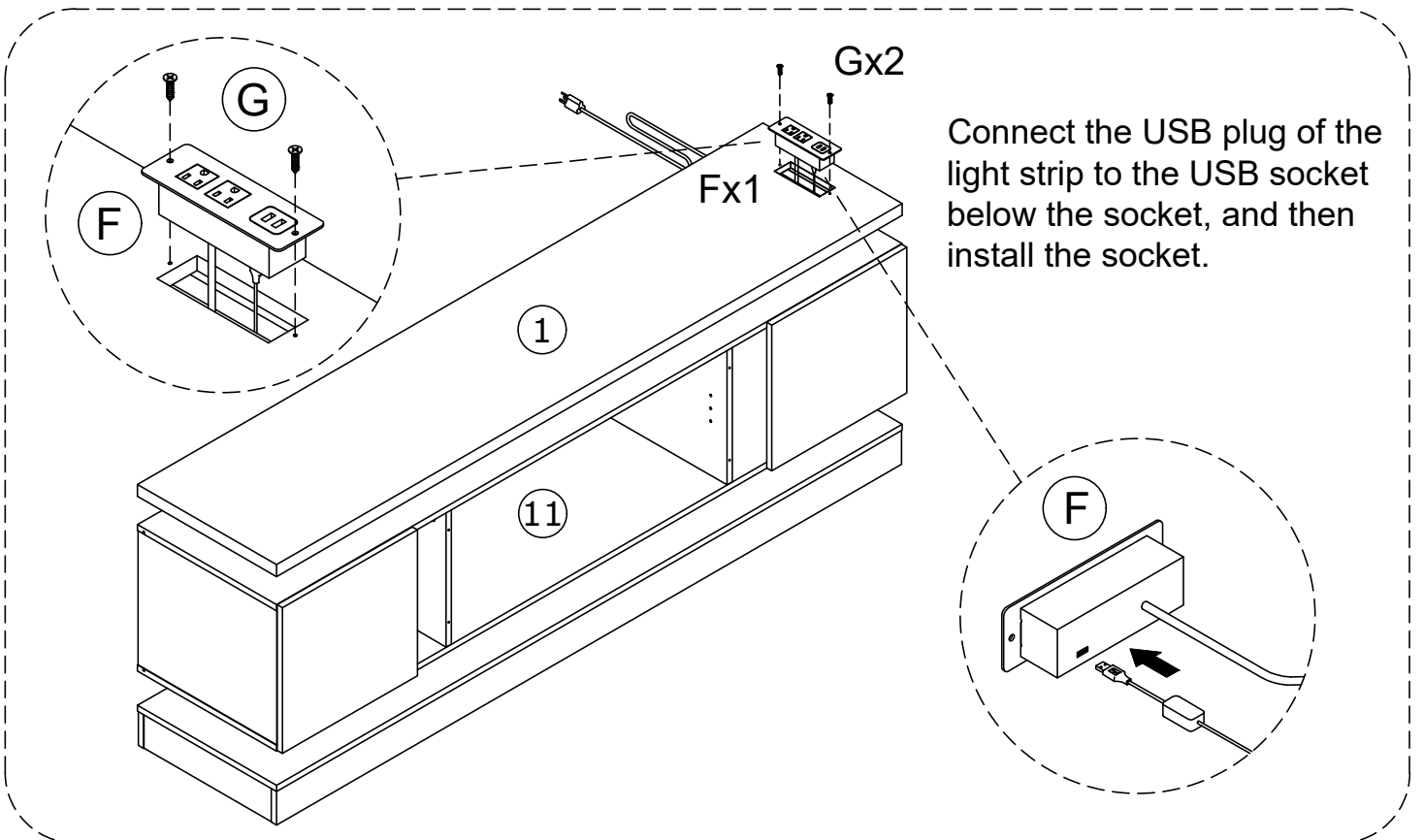
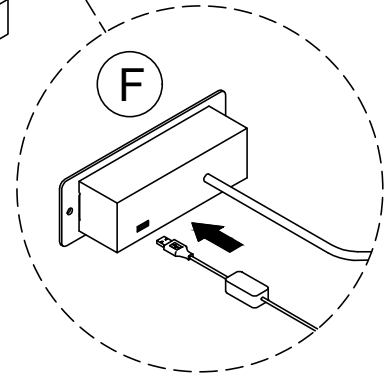
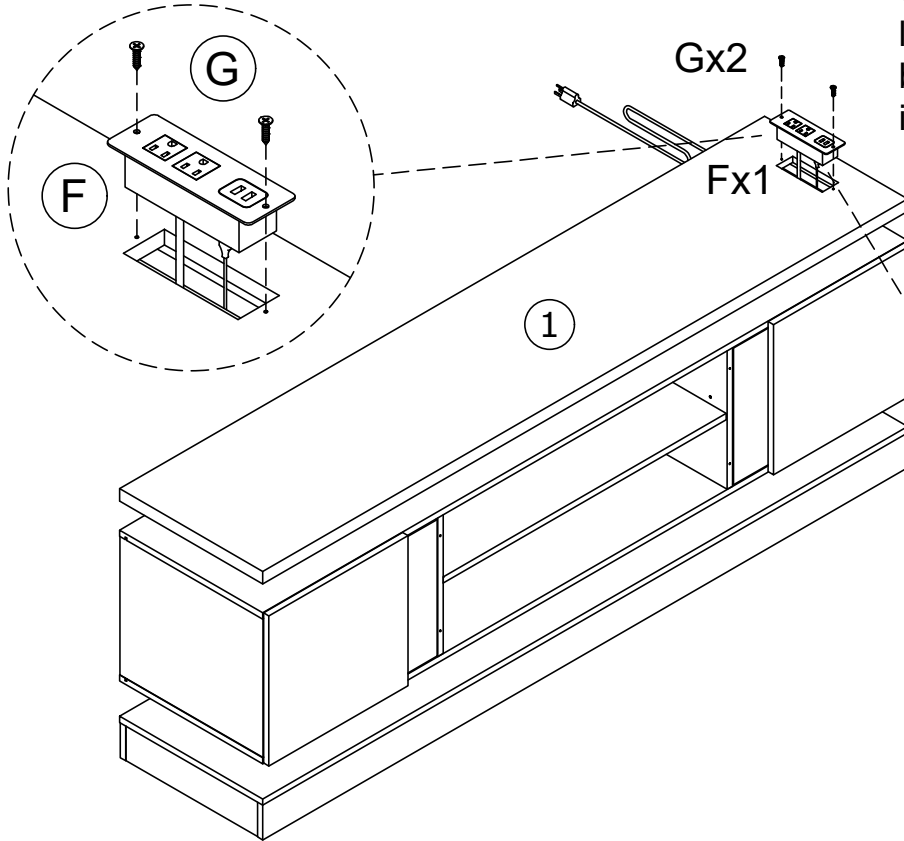


19

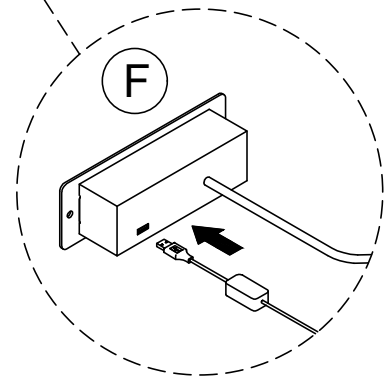


To assemble a cabinet with a fireplace, please follow the steps outlined in the dashed box.

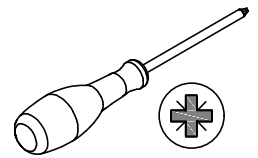
Connect the USB plug of the light strip to the USB socket below the socket, and then install the socket.



Connect the USB plug of the light strip to the USB socket below the socket, and then install the socket.

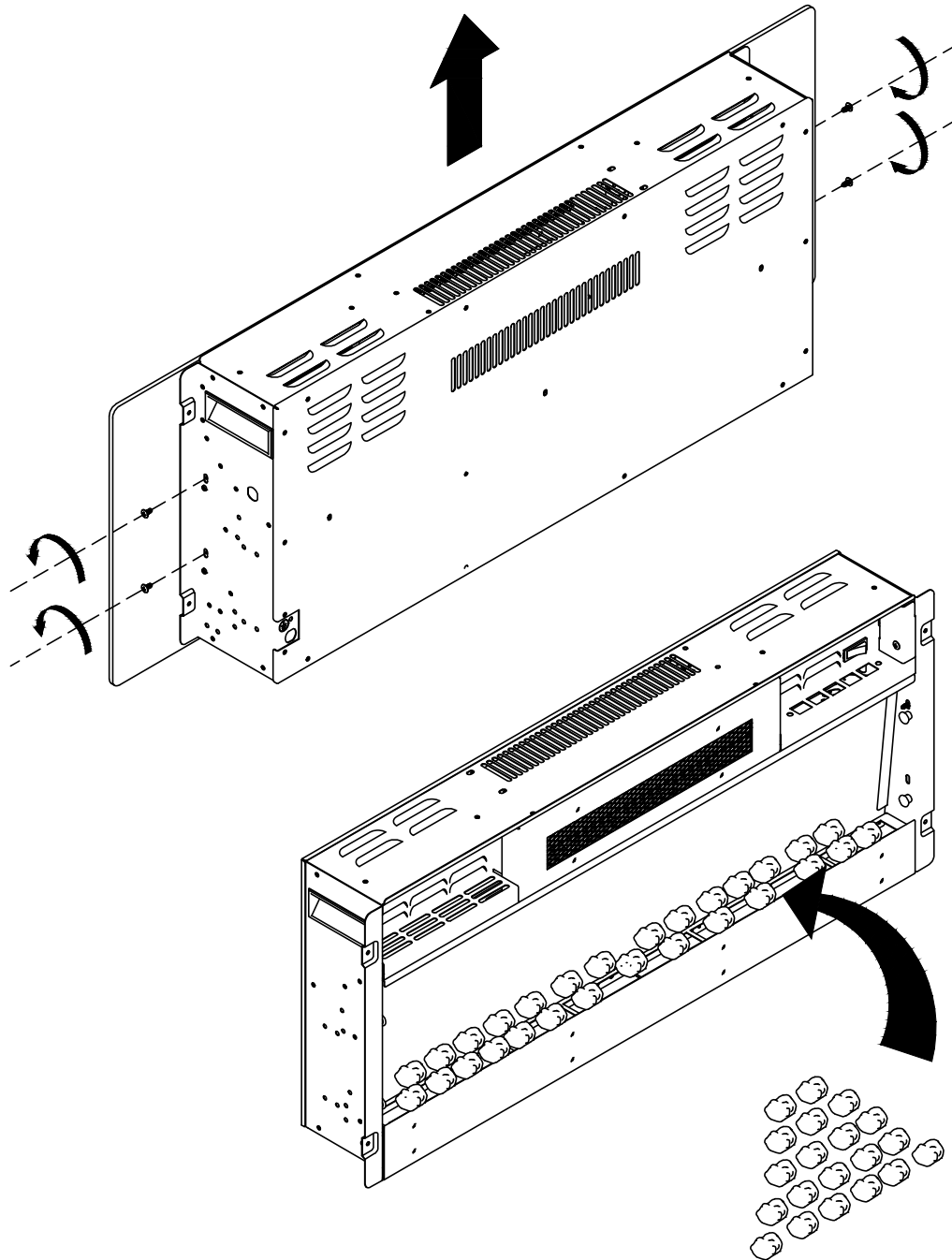


20



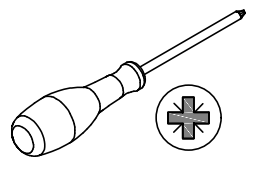
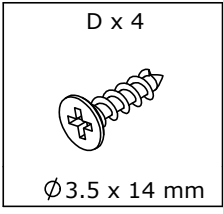
To assemble a cabinet without a fireplace, please skip this step.

Unscrew the four silver screws on both sides of the fireplace, lift up the glass panel to remove it, and place it on a soft and clean object.

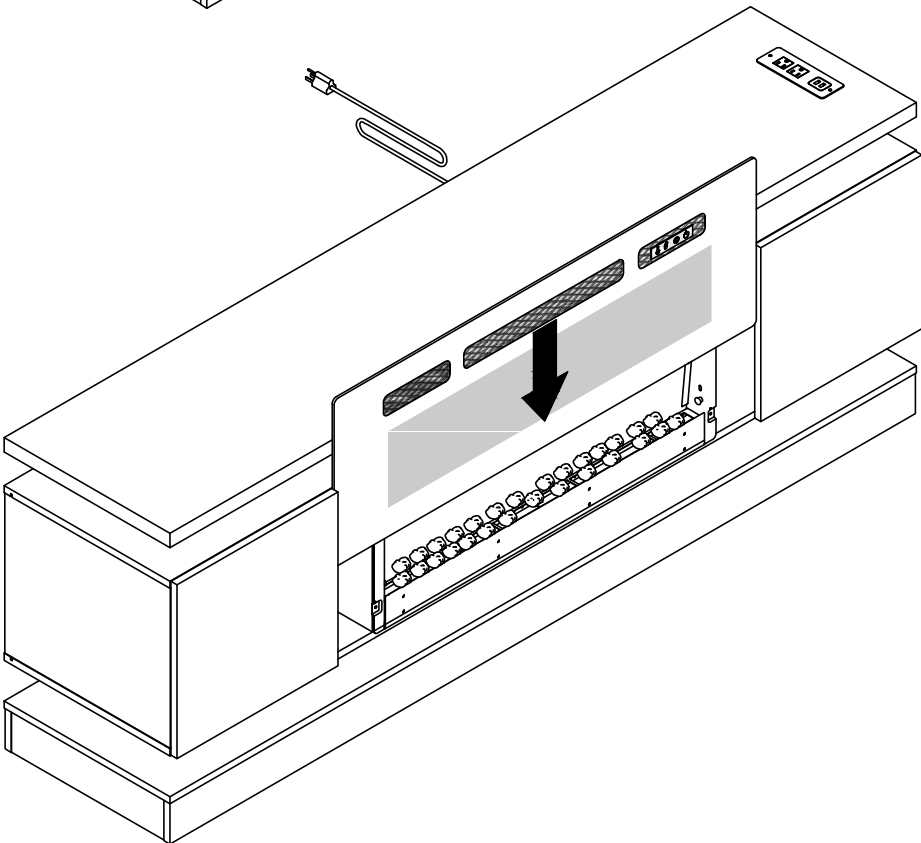
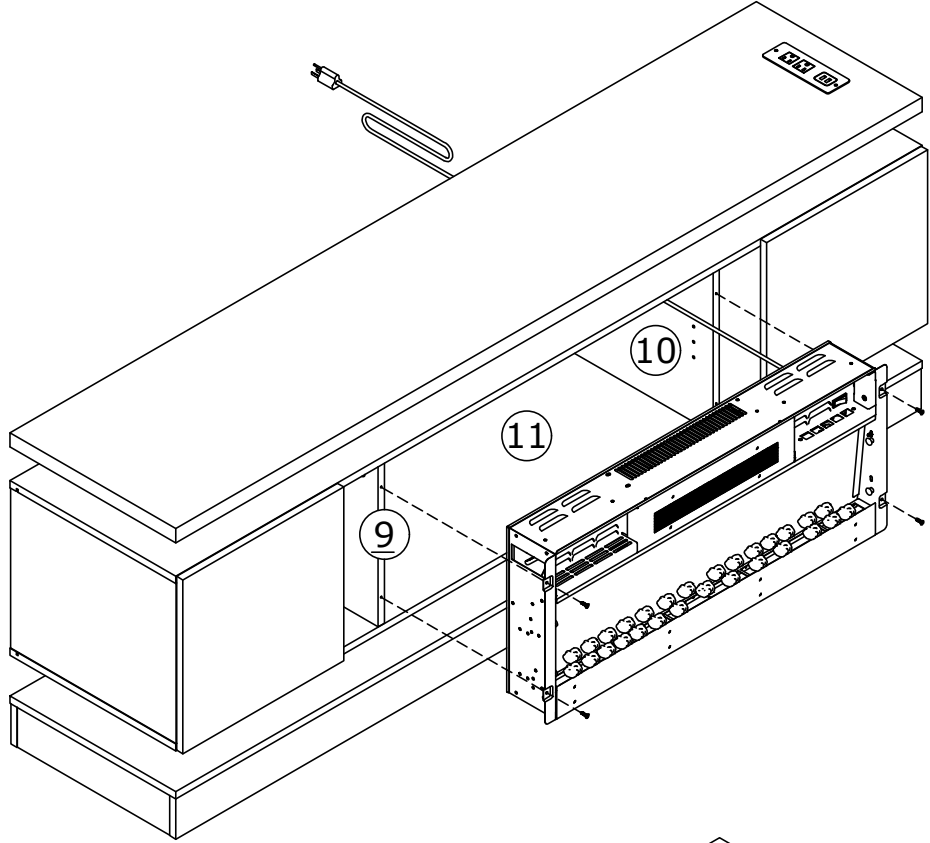


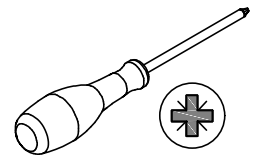
Place the crystal ornament
in the fireplace.

21

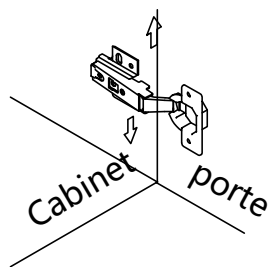
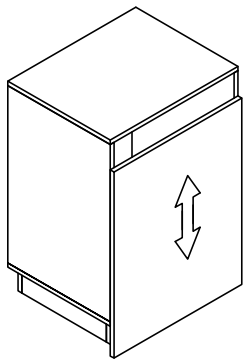
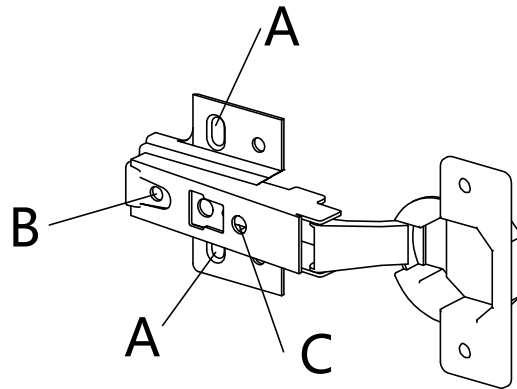


To assemble a cabinet without a fireplace, please skip this step.



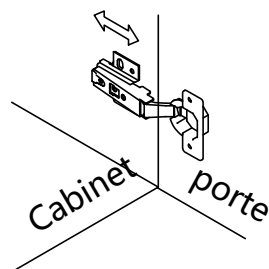
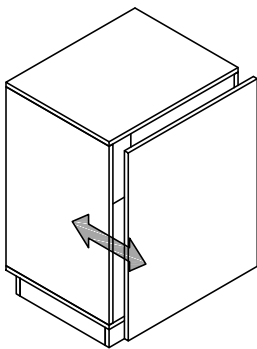


To assemble a cabinet with a fireplace, please skip this step.



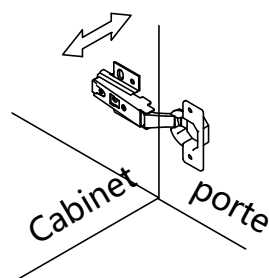
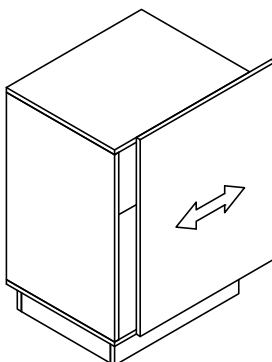
To adjust the vertical height.

Loosen the four screws "A" on both hinges. Two of them are usually in slotted holes which allows you to adjust up or down by a few mm. Then tighten back up.



To adjust depth.

Loosen screw "B" and adjust door, if the door can not be adjusted, please loosen screw "C", then try again. Tighten screw "B" and "C".

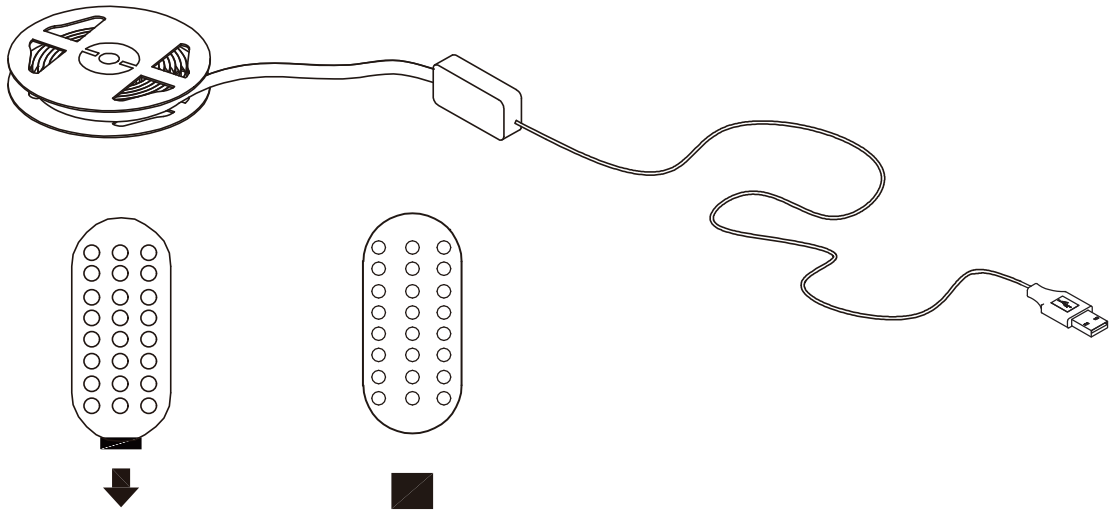


To adjust side ways.

Turning the screw "C" on BOTH hinges on each door.

23

-LED lamp with effective remote control distance of 5 meters

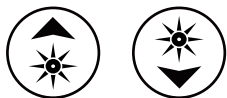


1. Take out the remote control gasket

Remote control mode



In any state press these two keys to turn on/off the light strip.



When light is on, press these two keys to reduce-or increase+brightness there are 10 brightness levels for adjustment.

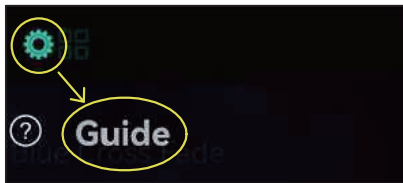


Press relevant keys to select particular colors



Press this key to switch static colors There are 16 kinds for chosen.

APP PROGRAM USAGE



Notes:
detailed operating instructions,
enter the menu "Guide":

Product Parameters:

- Bluetooth: BLEV4.2
- Input Voltage:4.5~26V
- Working Temp:-25~75°C
- Size:43*22*11mm
- Weight:30g
- Max Power:144W(24V)

LED mobile phone Bluetooth controller Product Features

- LED Bluetooth controller is directly via mobile phone control remote distance can reach 20m without the need to set up, easy to connect open the software within 5 seconds you can automatically connect the controller
 - Flow the rhythm of the music changes
 - Group control
 - Brightness, speed addition and subtraction
 - Maximum can be 10 meters RGB(W) strip
 - The software shows that the text is based on the language of the mobile phone set up automatic transformation of Chinese and English
- ### Animation Effect:
- Colorful gradient
 - All kinds of monochrome, double color gradient
 - All kinds of monochrome, double color, colorful flashing
 - Colorful jump
 - Follow the rhythm of the music changes