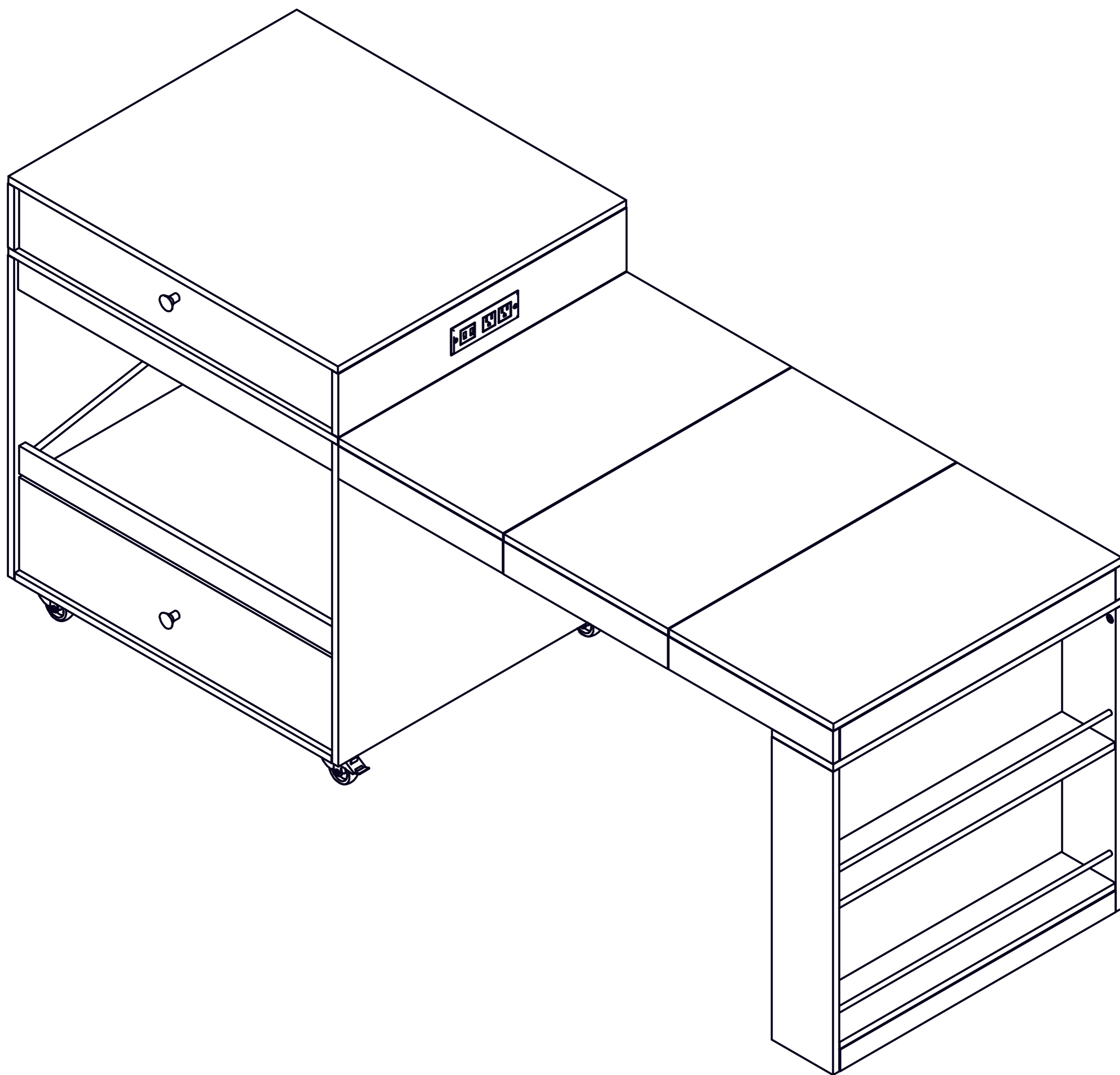
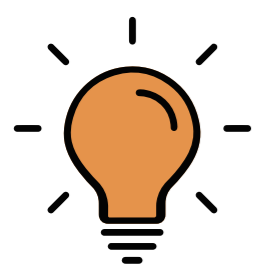




# User Manual



OMC25K101



Please read the instruction manual before assembly. Scan the QR code on the right to view the installation video and electronic manual.

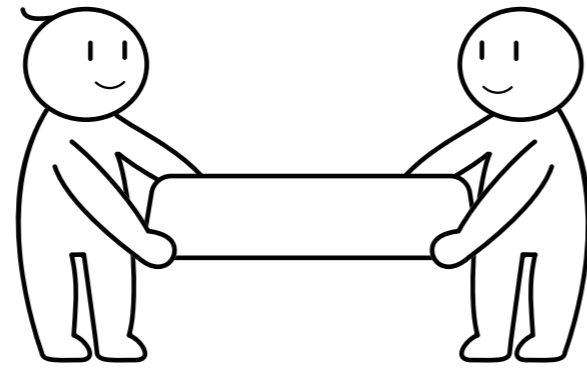
Please keep the manual safe and transfer it with the product.



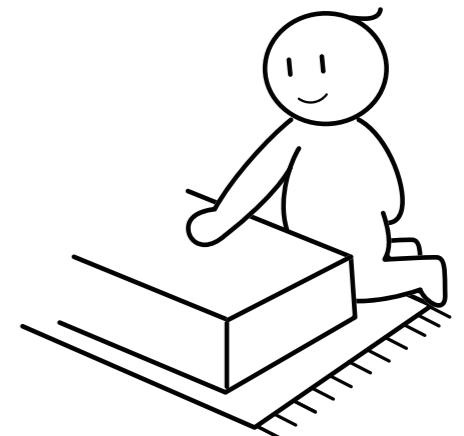
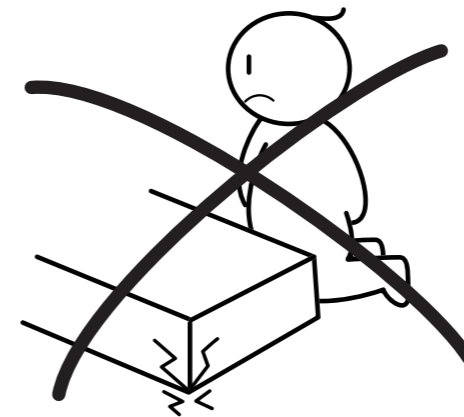
Scan for the e-manual



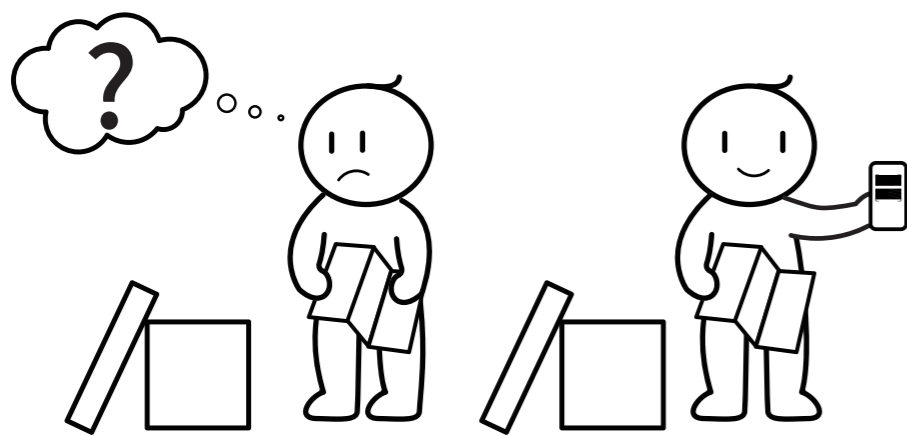
Scan for the installation video



1. Please keep this manual in a safe place and pass it on if you transfer the product to someone else.



2. Choose a clean, flat and spacious area for assembly, and avoid hard surfaces that could damage the product.



Scan the QR code to access.

1. Official after-sales support service
2. Product installation video
3. Warranty activation service

**!** If you encounter any problems during the installation process, please scan the QR code to contact us for assistance.

### **!** Anti-tipping warning **!**

**Furniture tip-over can cause serious or fatal injuries.**

**To prevent such incidents, please follow the recommendations below:**



- Install the supplied tip-over restraint kit as instructed.
- Keep children from climbing on or leaning against the product.
- Do not place a TV or other heavy items on it unless it is designed to support them.
- If this product includes drawers:
  - Store heavier items in the bottom drawer.
  - Open only one drawer at a time to avoid instability.
  - Do not remove or tamper with drawers.

Note: The included anti-tip device reduces— but does not fully eliminate — the risk of tip-over. Please use this product with caution.

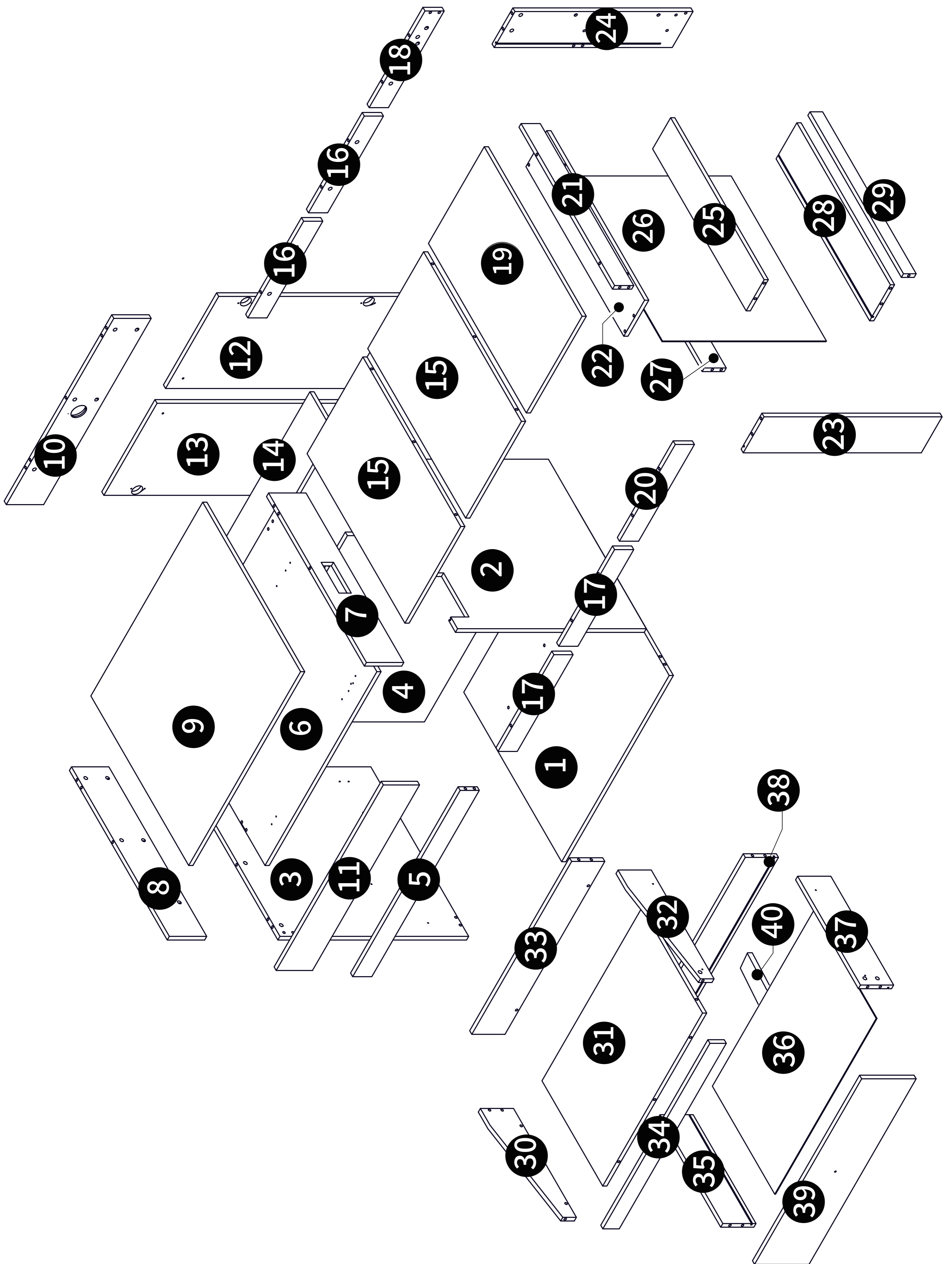
### Warning

- This product is for indoor use only. Using the product outside of its intended purpose and/or modifying it beyond its original design may result in personal injury and/or product damage.
- This product must be assembled and used according to the instructions.
- The seller assumes no responsibility or liability for any damage caused by improper assembly or misuse.
- Children must not assemble this product. Keep small parts out of children's reach during assembly, as swallowing or inhaling them may be fatal.
- Children must not climb or stand on this product to avoid tipping and potential injury.
- Do not use this product if there are defects and/or missing parts, as this may cause damage or injury.
- If this product is equipped with an anti-tip device, be sure to install it to prevent the product from tipping over and causing unnecessary injury.
- If this product involves electrical components, keep it away from water or damp environments to avoid electric leakage or short circuits that may cause injury.
- If the product does not have wheels at the bottom, it cannot be moved. Do not drag it, as doing so may loosen or damage the product.

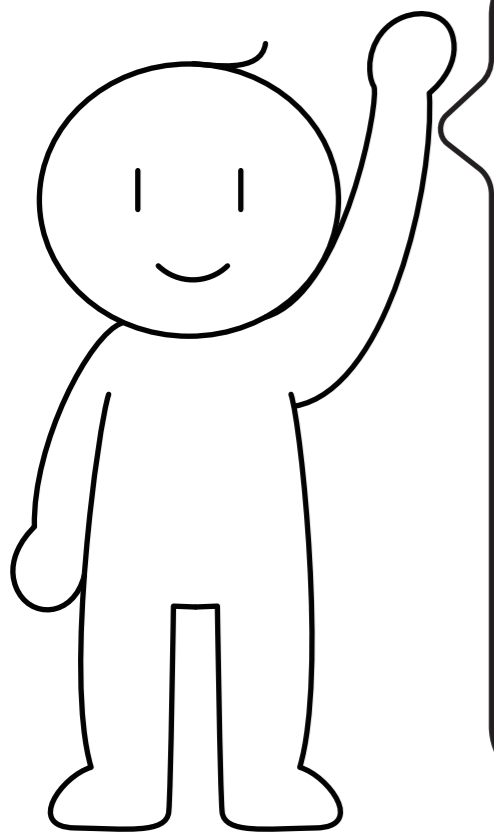
### Maintenance Tips

- Place the product on a flat, stable surface to avoid uneven stress and potential damage.
- Periodically check the tightness of all screws during use. Retighten them if necessary to ensure structural integrity.
- Use heat-resistant pads for hot items. Keep the product away from air-conditioning vents or radiators by at least 1.5 meters. Do not place it in any high-temperature area to ensure longevity.
- Wipe off any water on the furniture surface promptly. Avoid exposing the product to long-term humidity to prevent mold.
- Do not place any corrosive substances (including alcohol, aromatherapy oils, nail polish remover, etc.) on the surface.

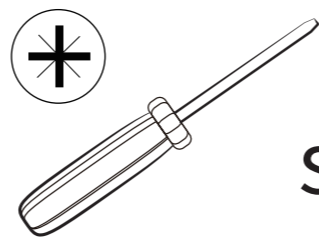
# Accessory List-01



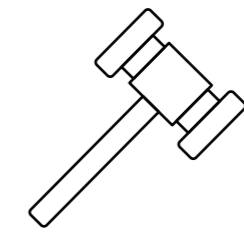
# Accessory Lis-02



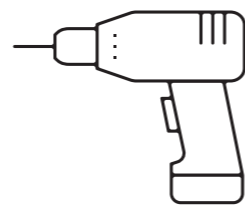
**Prepare the required tools:**



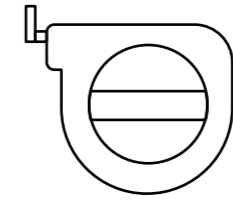
screwdriver



hammer



electric drill

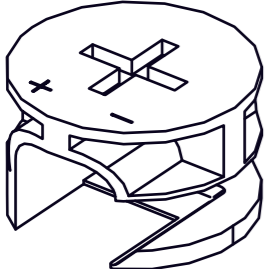
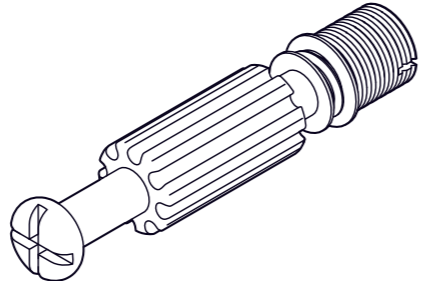
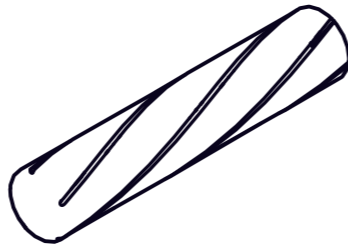
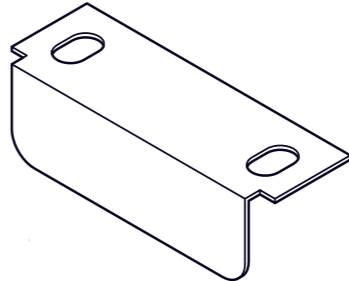
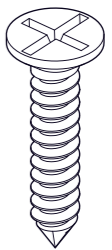
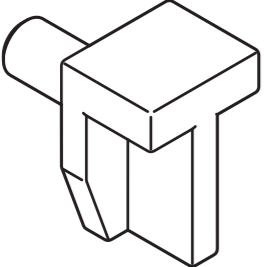
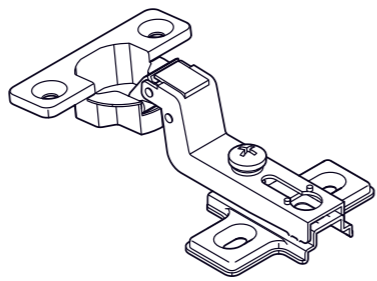
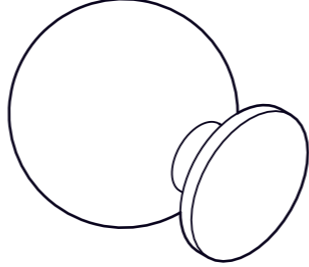
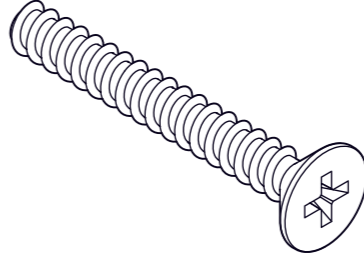
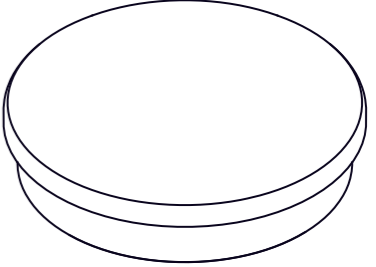
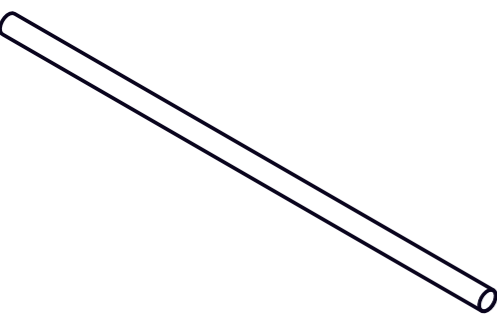
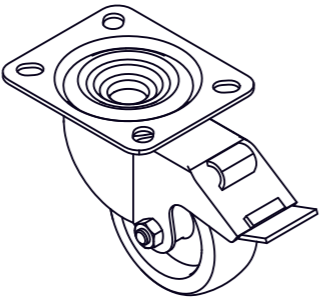
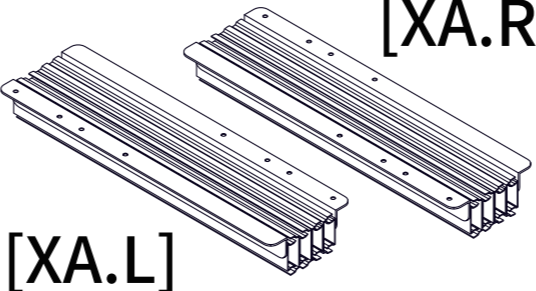
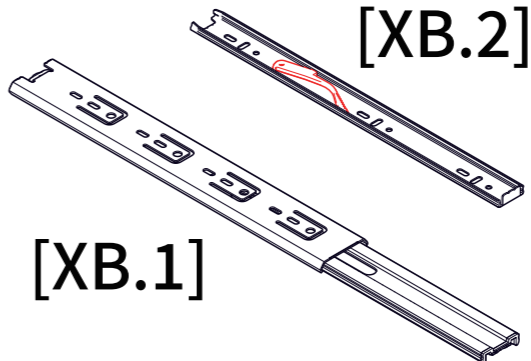
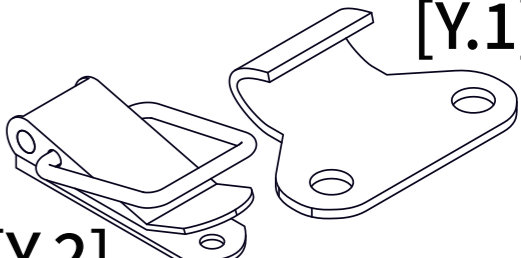
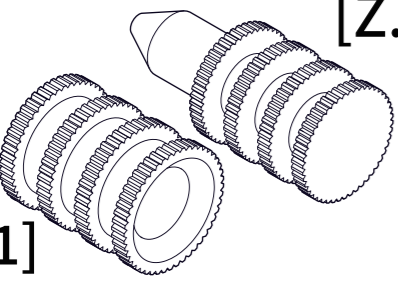
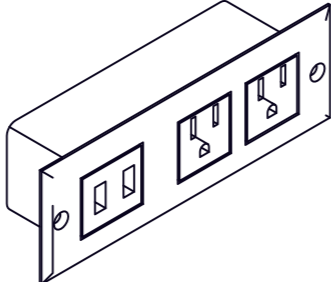
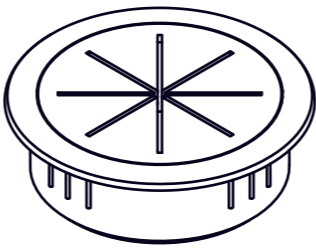
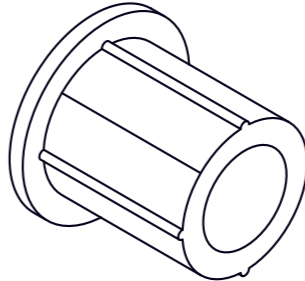


tape measure

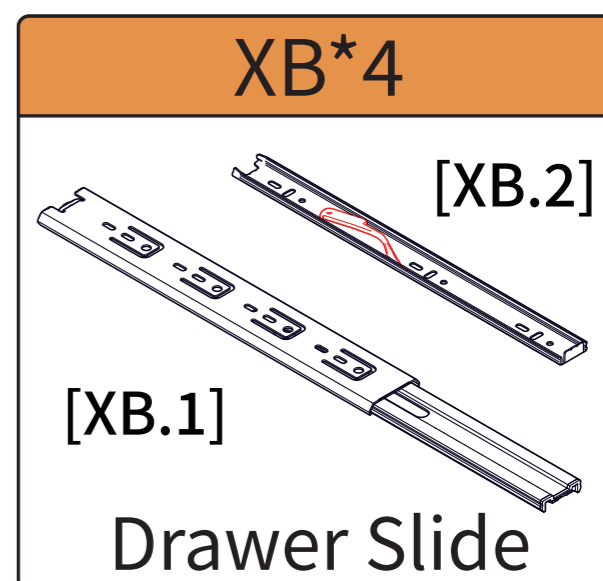


**Before installation, check that all boards and parts match the manual and distinguish similar parts by size. If anything is missing, scan the QR code to contact us.**

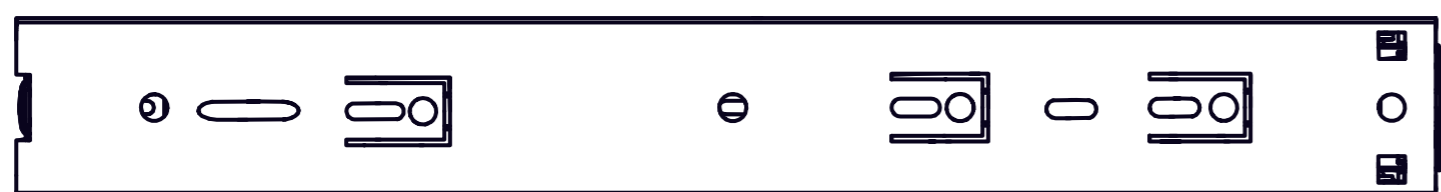
**Note: This product ships in two packages.**

<p>A*110</p>  <p>Cam wheel</p>	<p>B*110</p>  <p>Cam bolt</p>	<p>C*28</p>  <p>Wooden dowel</p>	<p>D*1</p>  <p>Door stopper</p>	<p>E*116</p>  <p>Short screw</p>
<p>F*4</p>  <p>Shelf pin</p>	<p>G*6</p>  <p>Hinge</p>	<p>I*4</p>  <p>Handle</p>	<p>J*4</p>  <p>Flat-head screw</p>	<p>P*110</p>  <p>cover cap</p>
<p>Q*2</p>  <p>Metal rod</p>	<p>H*6</p>  <p>Locking Caster</p>	<p>XA*1</p>  <p>[XA.L] [XA.R]</p> <p>Drawer Slide</p>	<p>XB*4</p>  <p>[XB.1] [XB.2]</p> <p>Drawer Slide</p>	<p>Y*6</p>  <p>[Y.1] [Y.2]</p> <p>Desktop Fastener</p>
<p>Z*9</p>  <p>[Z.1] [Z.2]</p> <p>Desktop Connector</p>	<p>R*1</p>  <p>Power Adapter</p>	<p>HO*1</p>  <p>Cable Grommet Cover</p>	<p>FA*8</p>  <p>Shelf pin Hole cover</p>	

# Drawer Slide Disassembly Steps



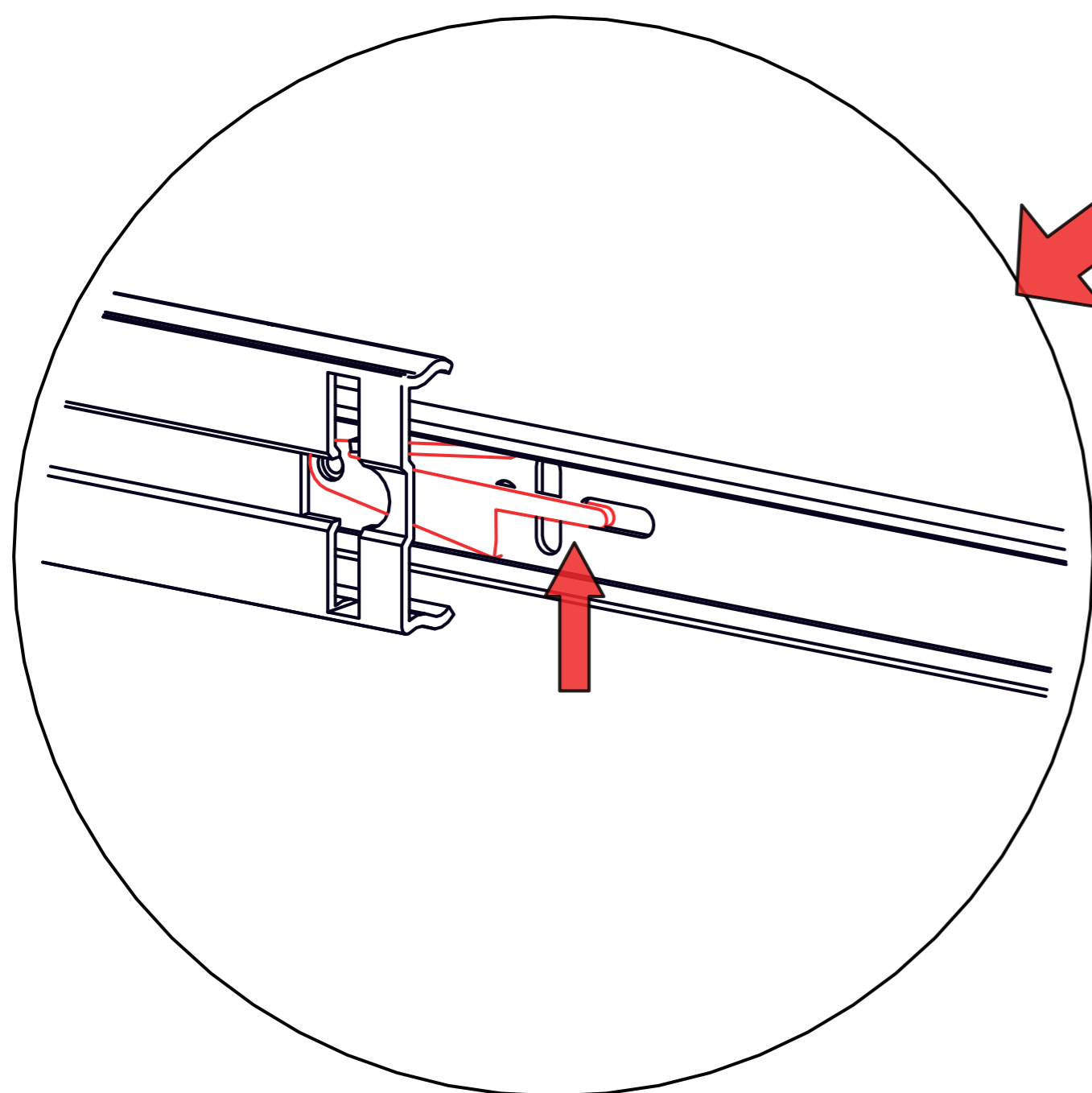
**XB**



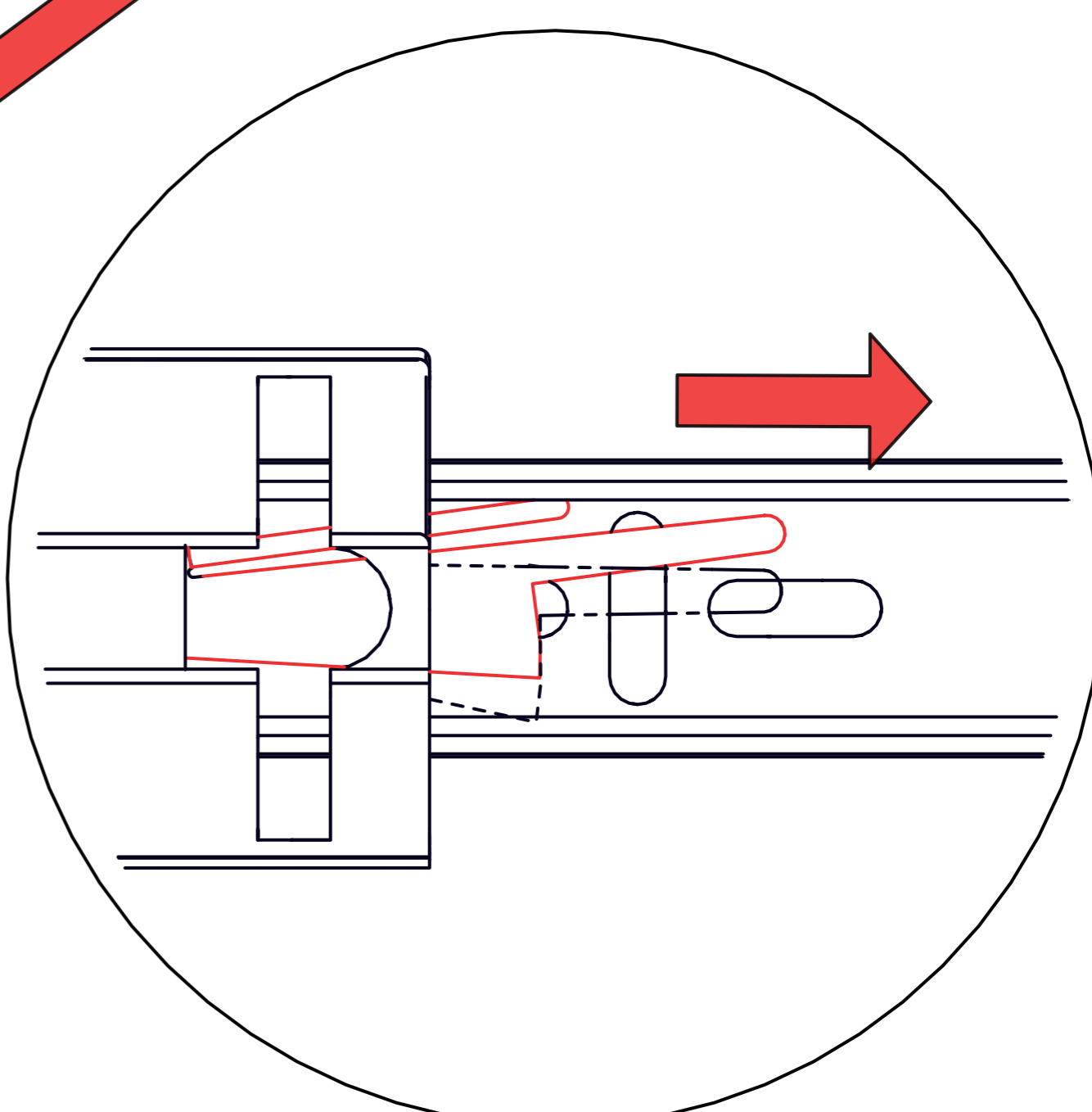
**XB.1**



**XB.2**



1. First, push the black lever upward.

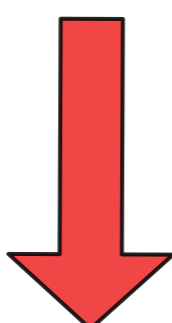
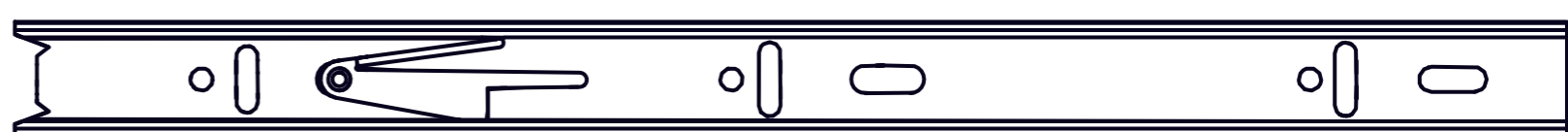


2. Then, pull it out to the right (XB.2)

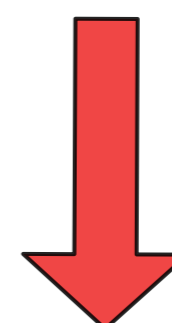
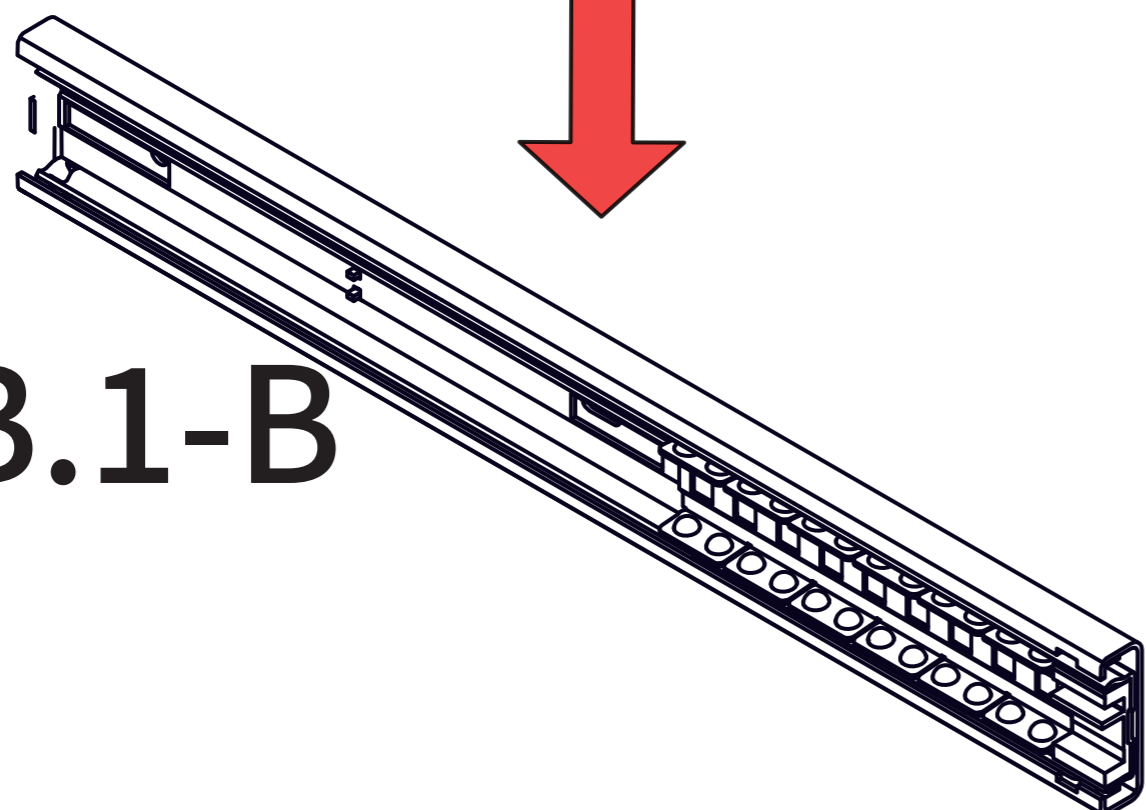
**XB.1-F**



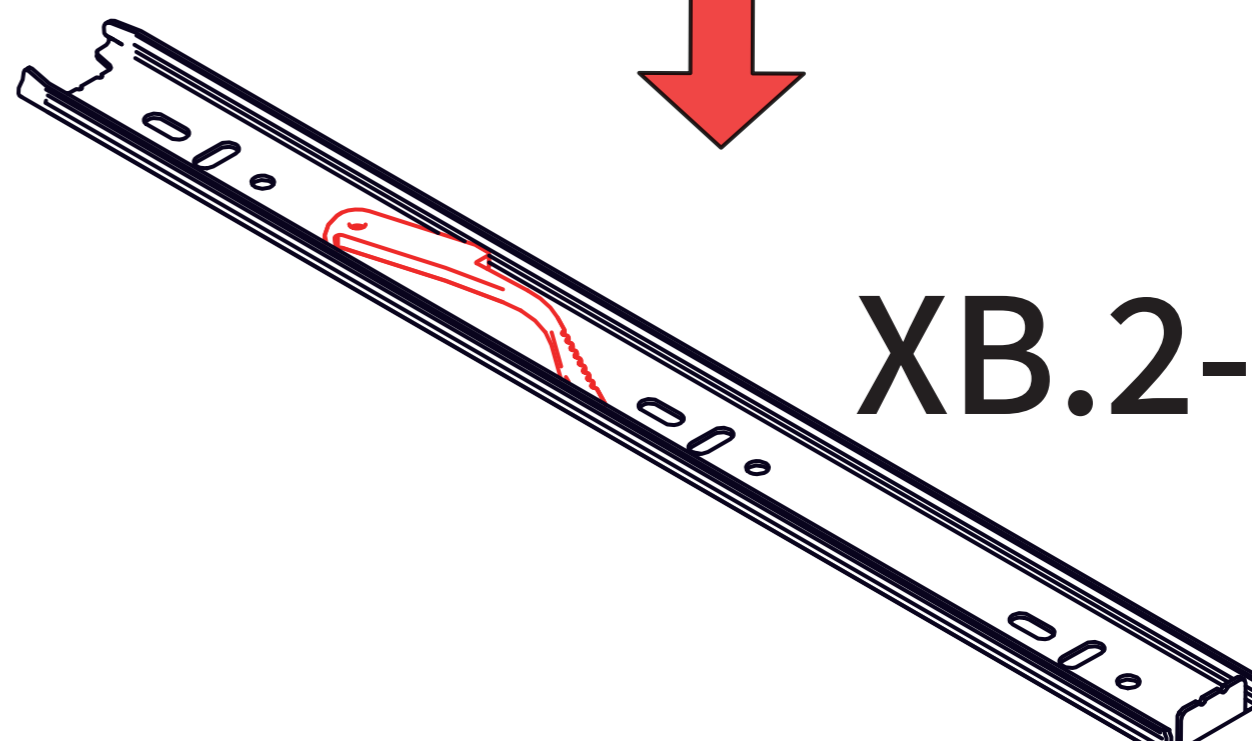
**XB.2-F**



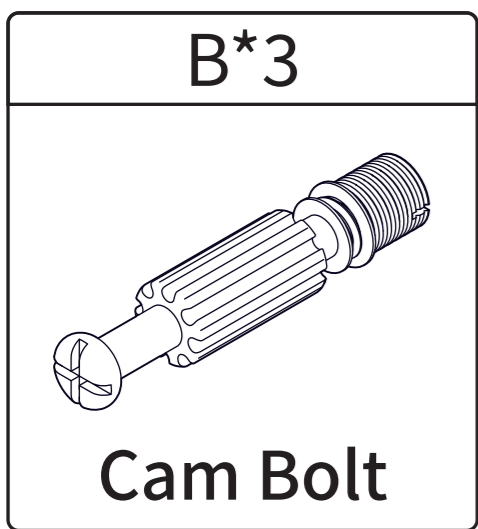
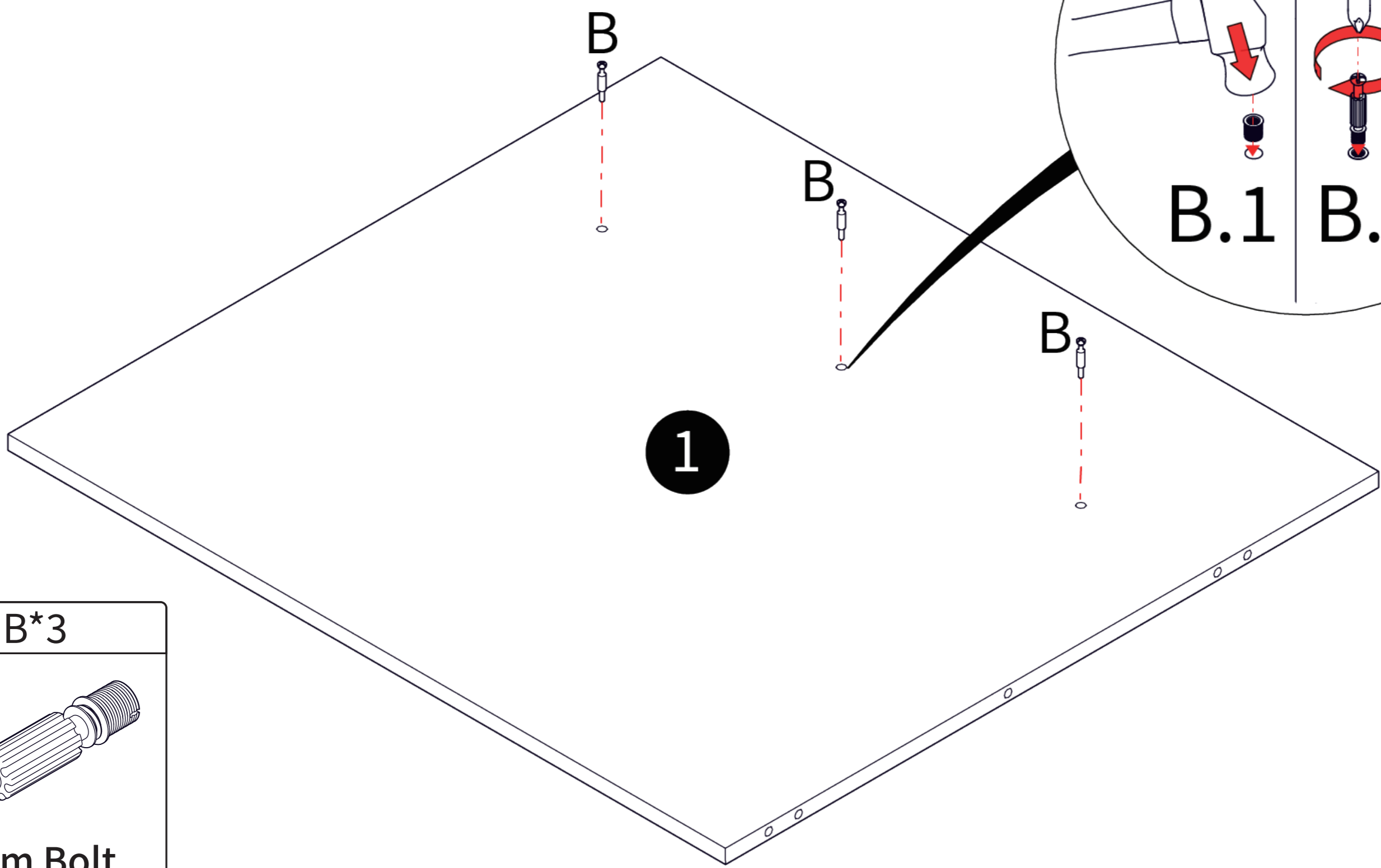
**XB.1-B**



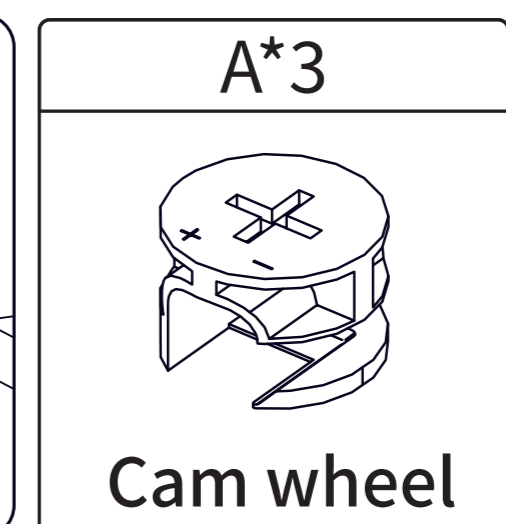
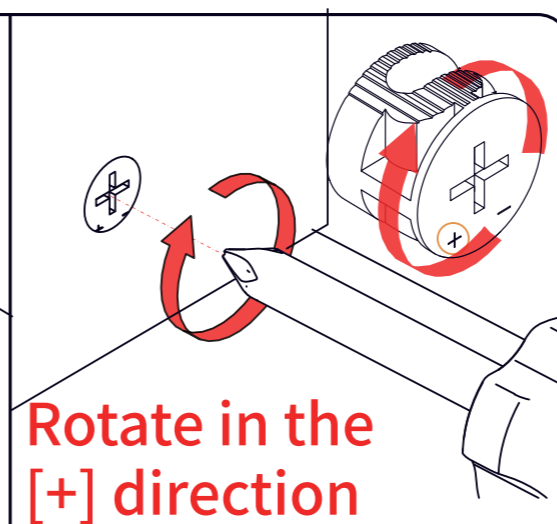
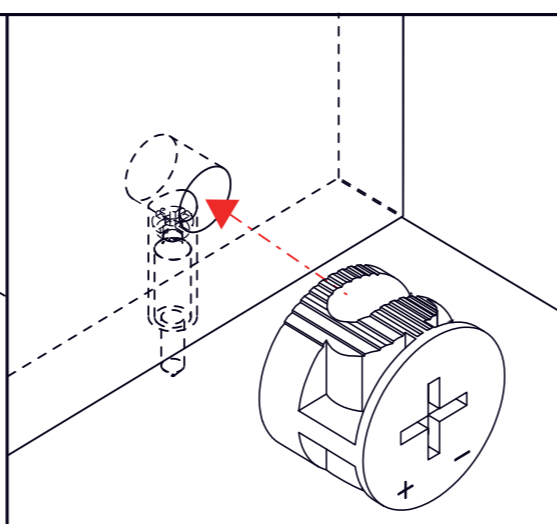
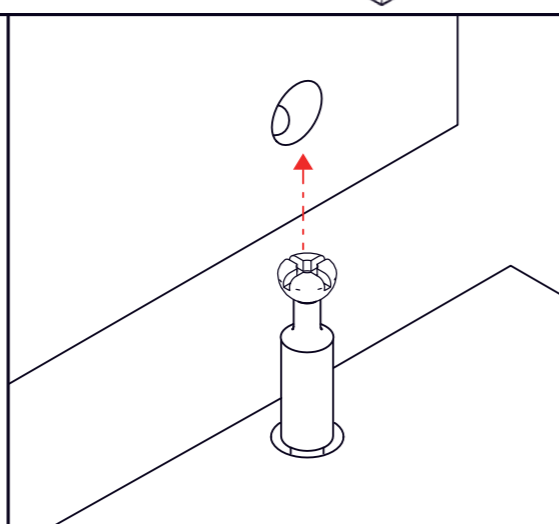
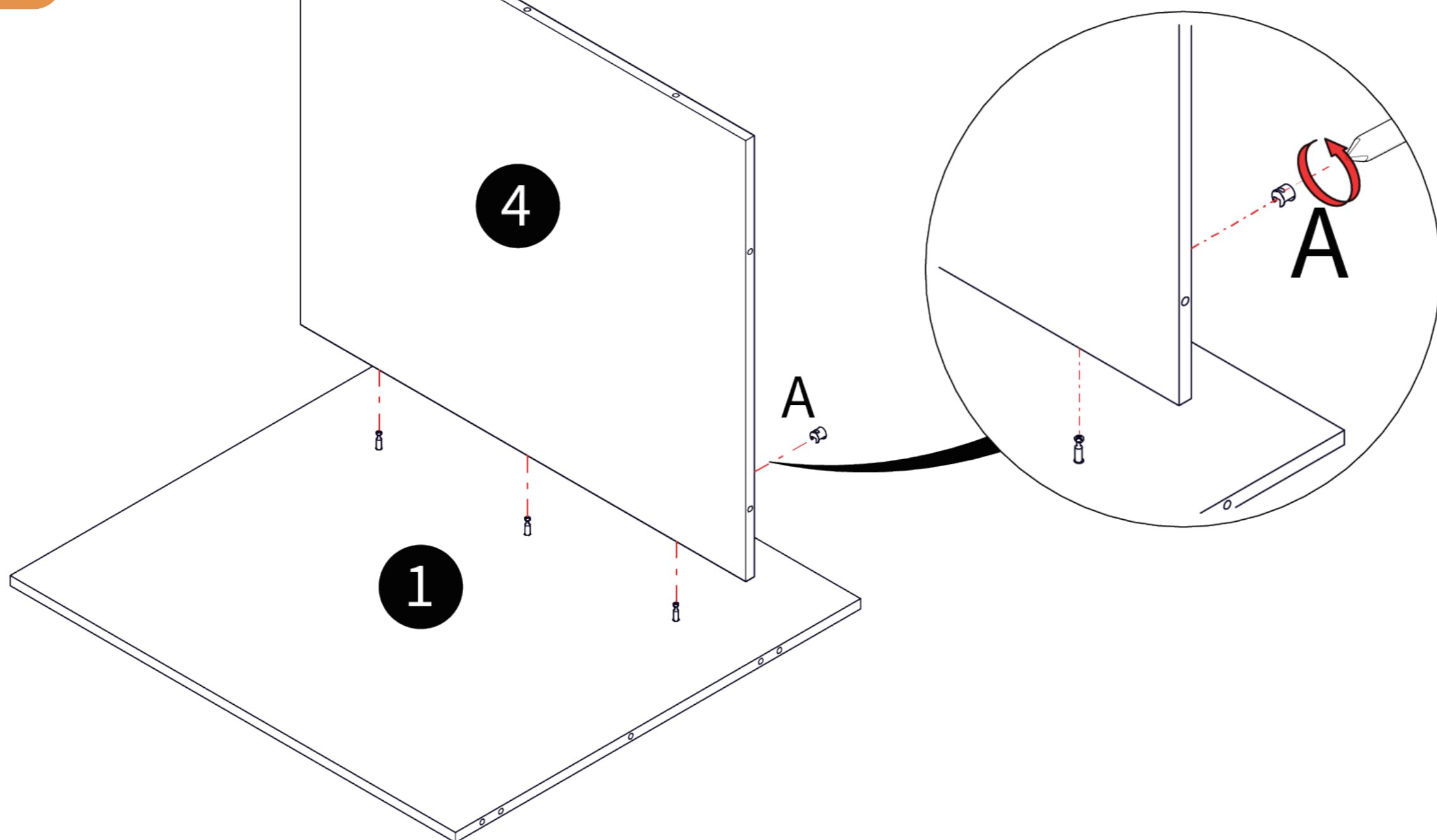
**XB.2-B**



**1** As shown in the figure, tap the black Cam Nuts (B.1) into Panel 1 first, then use a screwdriver to screw the cam bolts (B.2) into the black Cam Nuts.

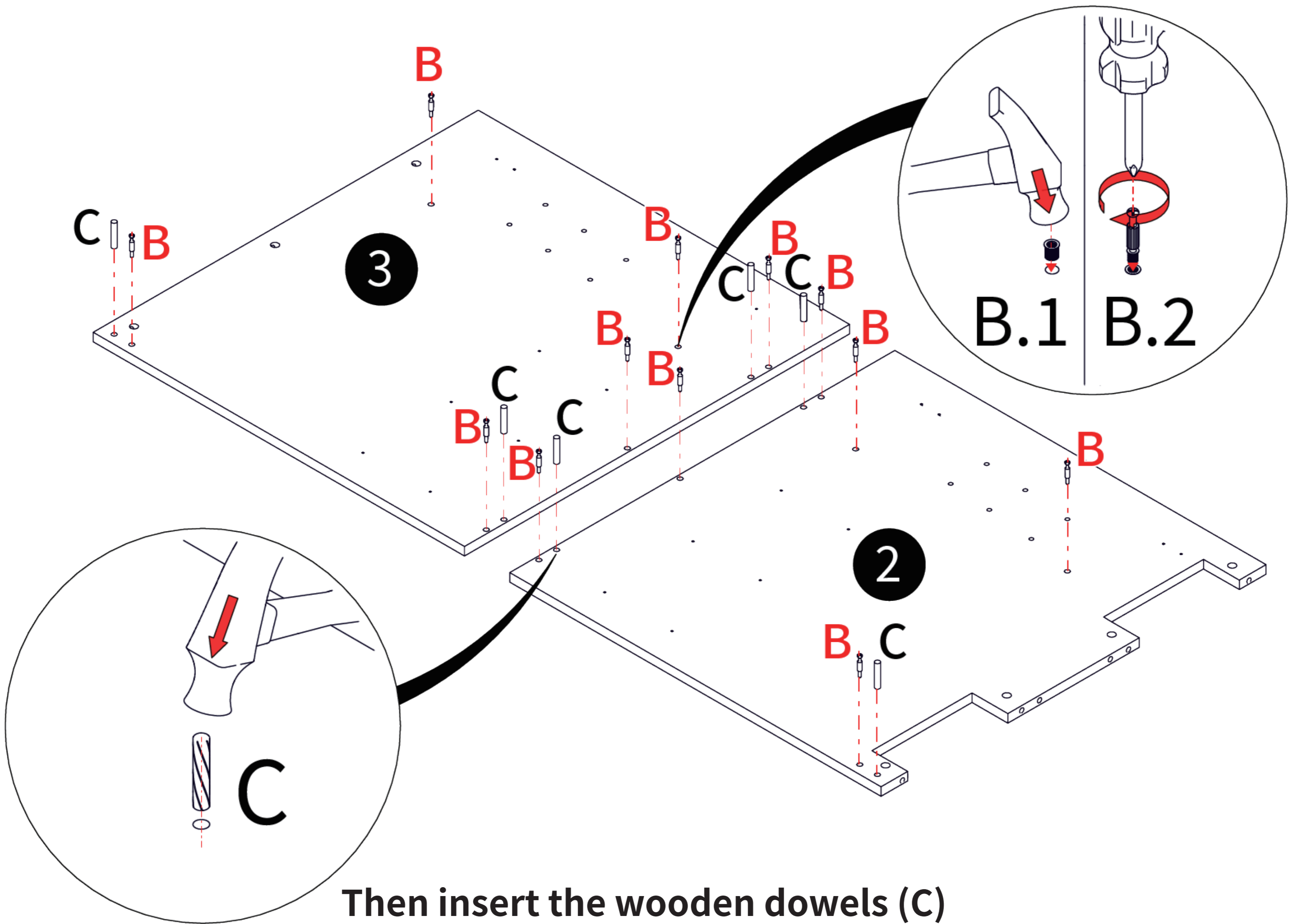


**2** Connect Panel 4 to Panel 1, press the Cam wheels (A) into Panel 4, and tighten the Cam wheels.

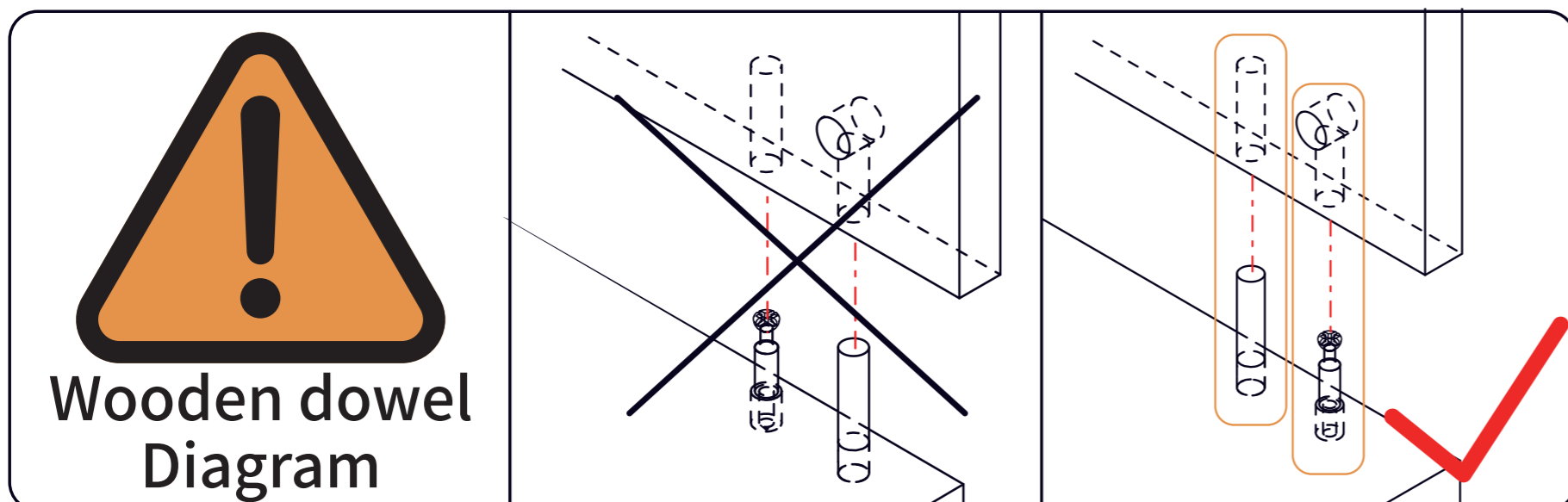


3

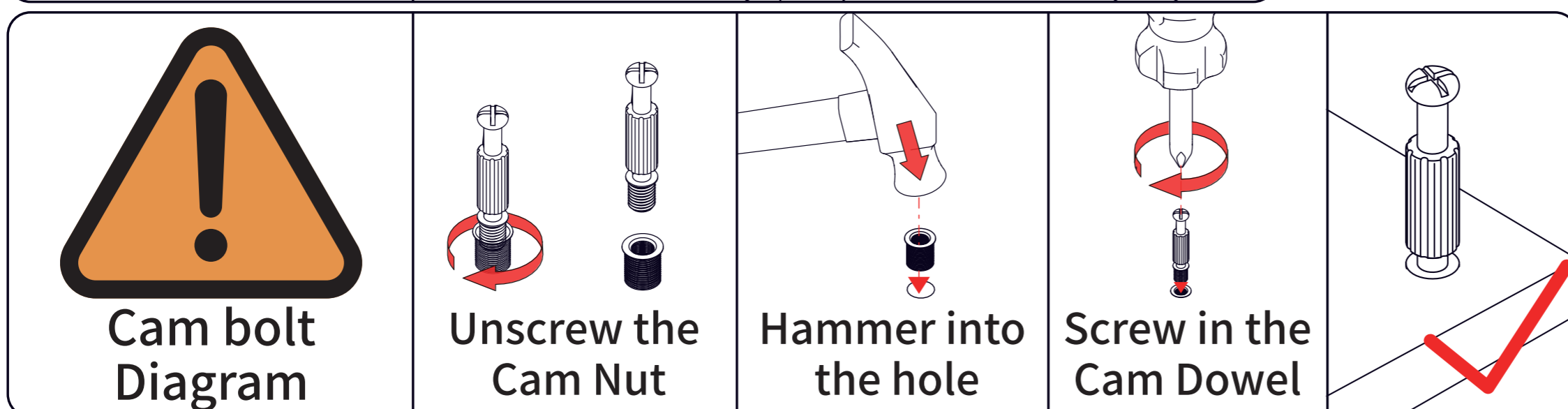
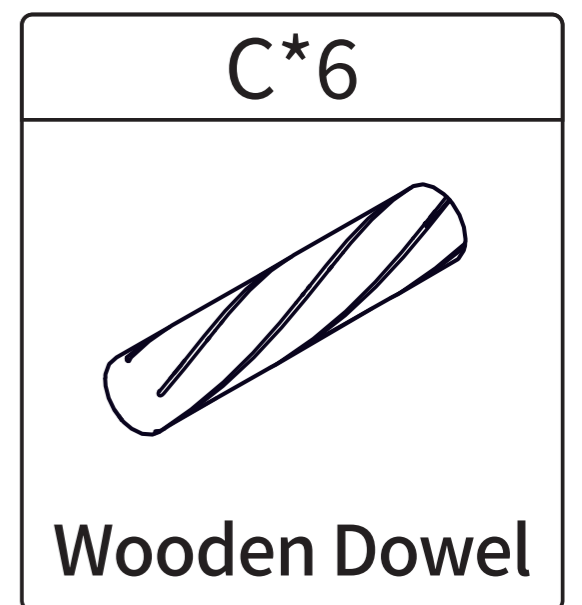
As shown in the figure, tap the black Cam Nuts (B.1) into Panels 2 and 3 first, then use a screwdriver to screw the cam bolts (B.2) into the black Cam Nuts.



Then insert the wooden dowels (C) into Panels 2 and 3.



Wooden dowel Diagram

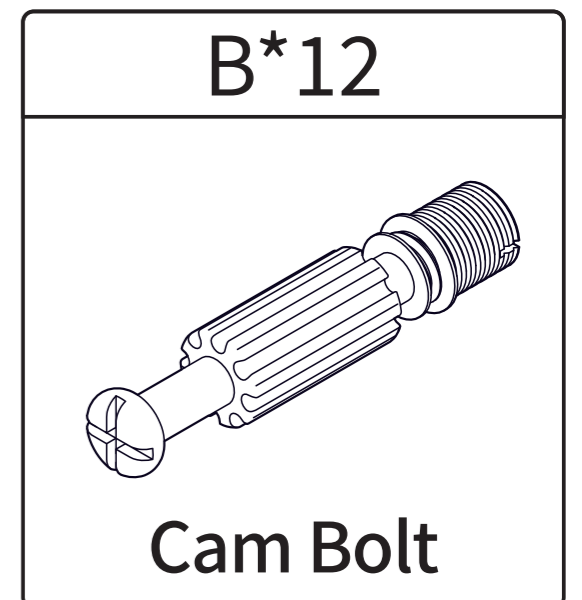


Cam bolt Diagram

Unscrew the Cam Nut

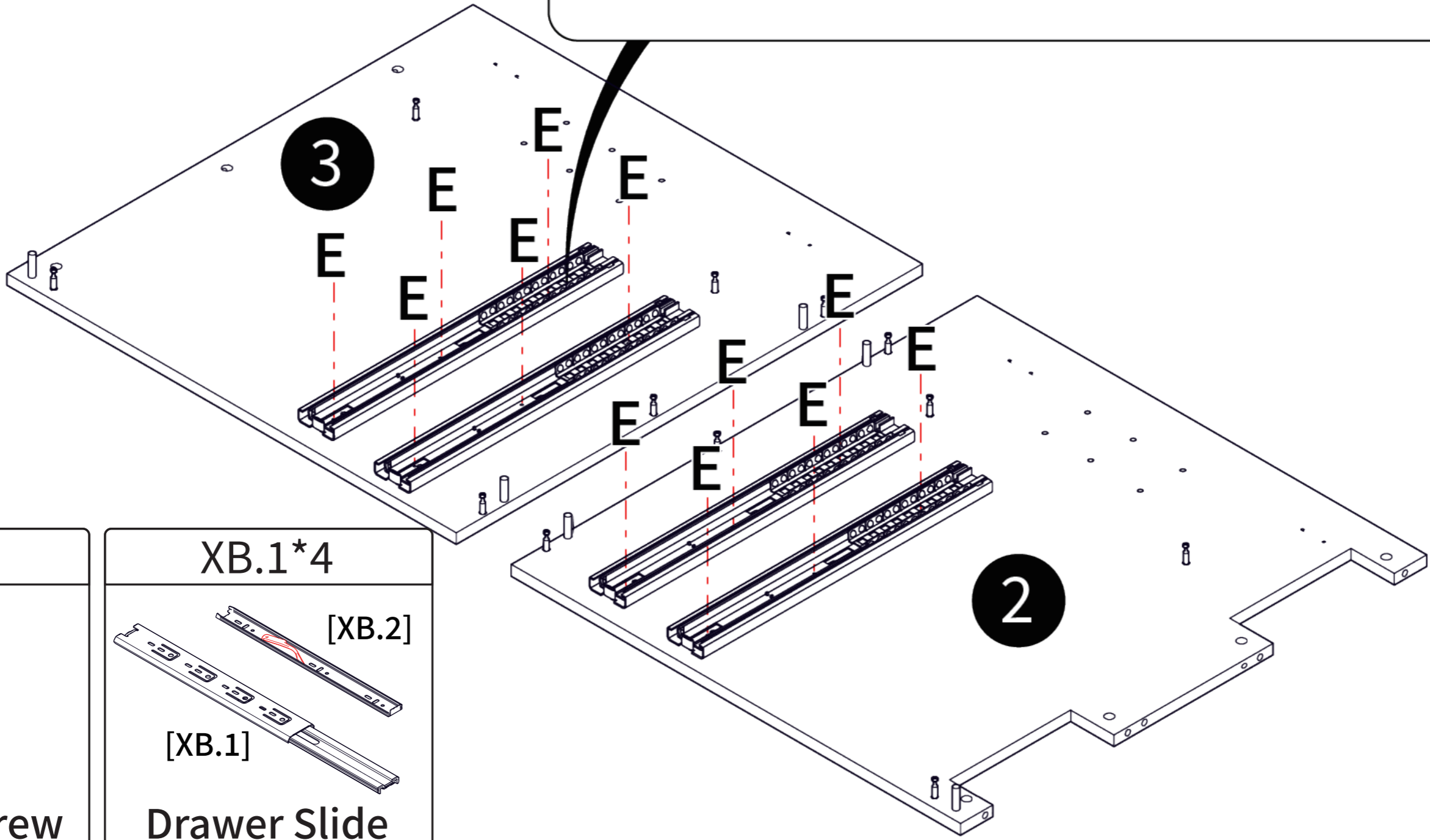
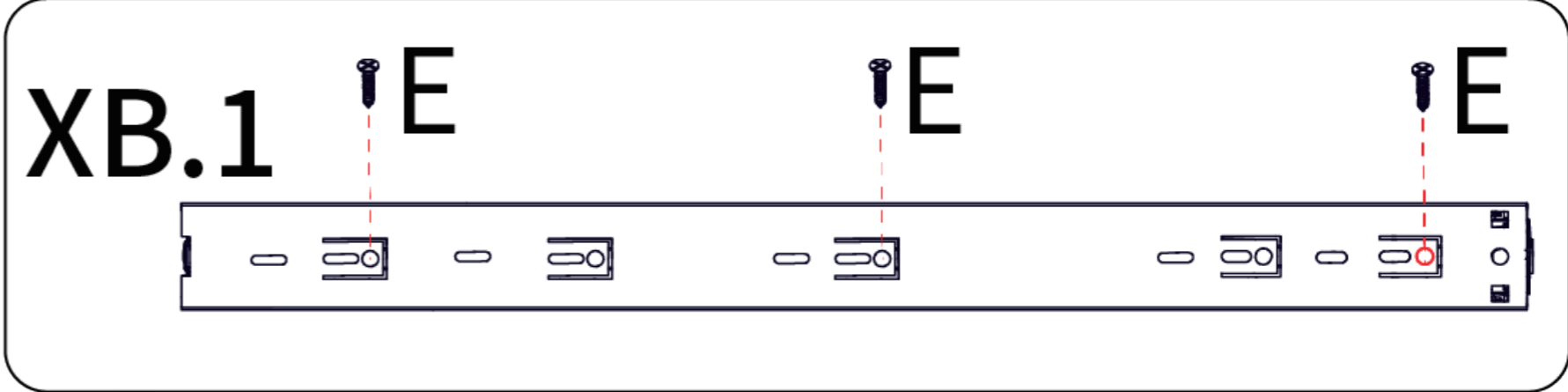
Hammer into the hole

Screw in the Cam Dowel

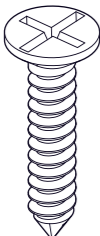


4

As shown in the figure, use short screws (E) to fasten the Drawer Slides (XB.1) to the pre-drilled holes on Panels 2 and 3.

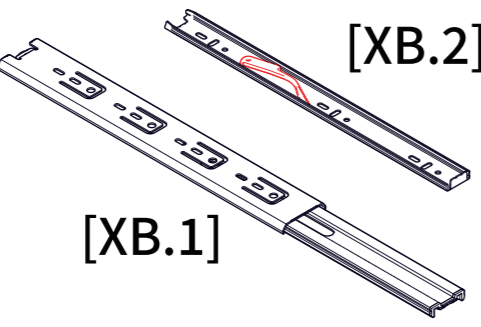


E\*12



Short Screw

XB.1\*4



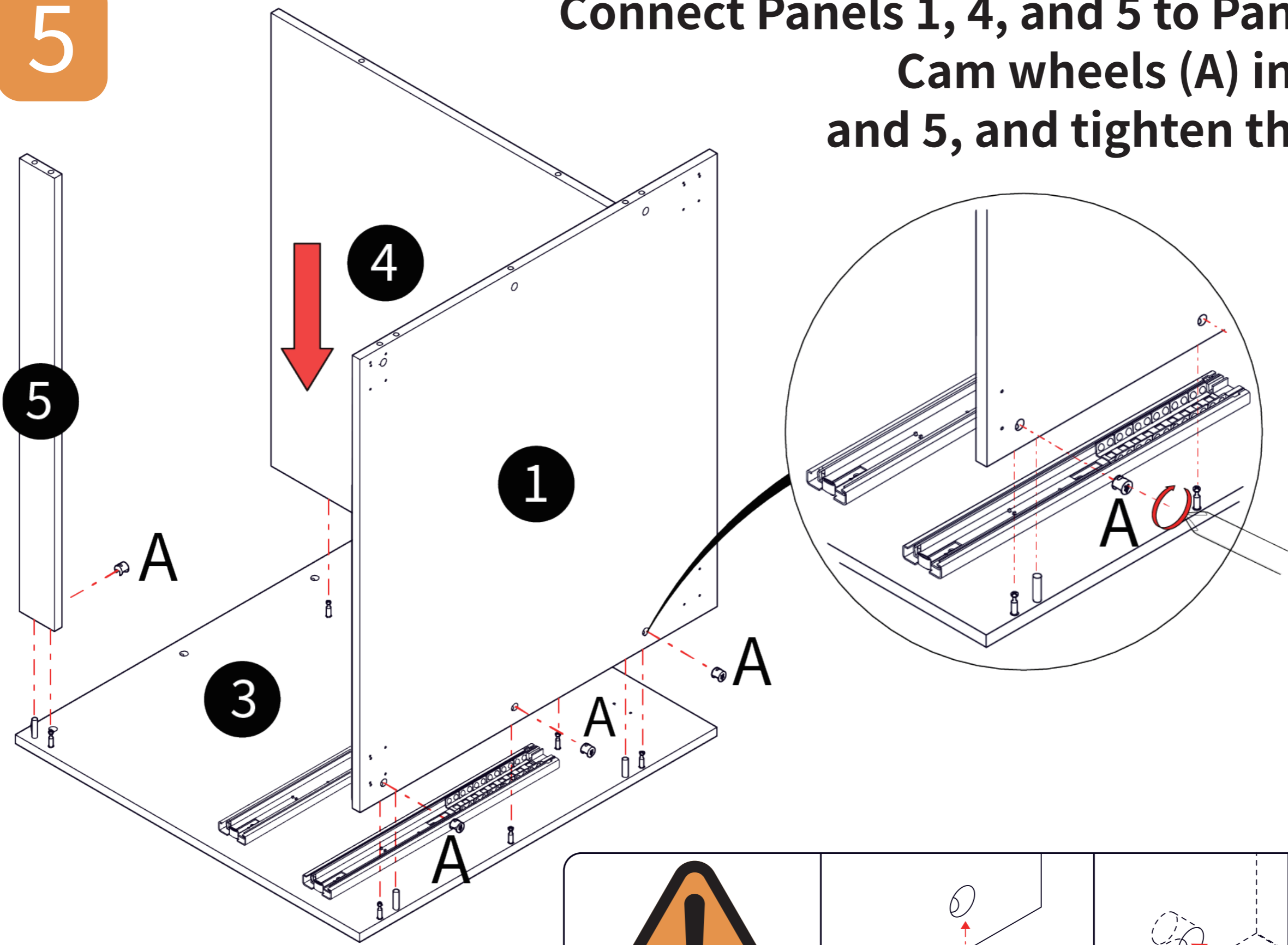
[XB.2]

[XB.1]

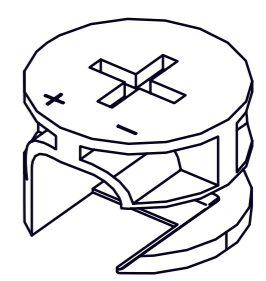
Drawer Slide

5

Connect Panels 1, 4, and 5 to Panel 3, press the Cam wheels (A) into Panels 1, 4, and 5, and tighten the Cam wheels.



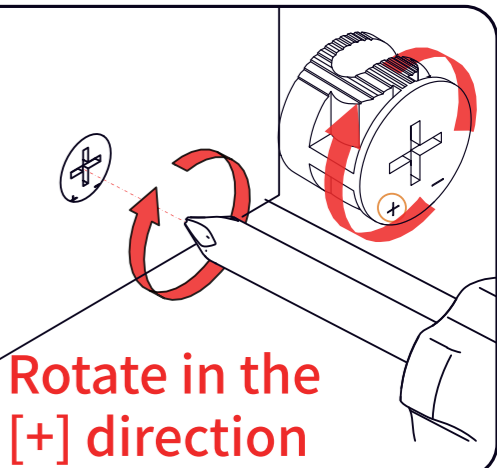
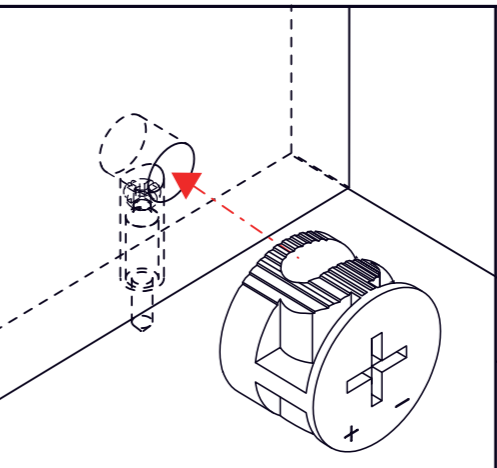
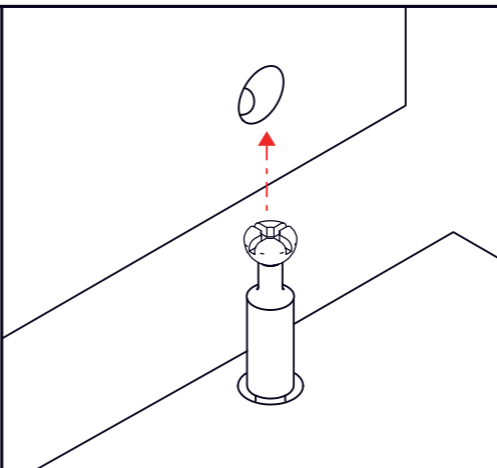
A\*6



Cam wheels

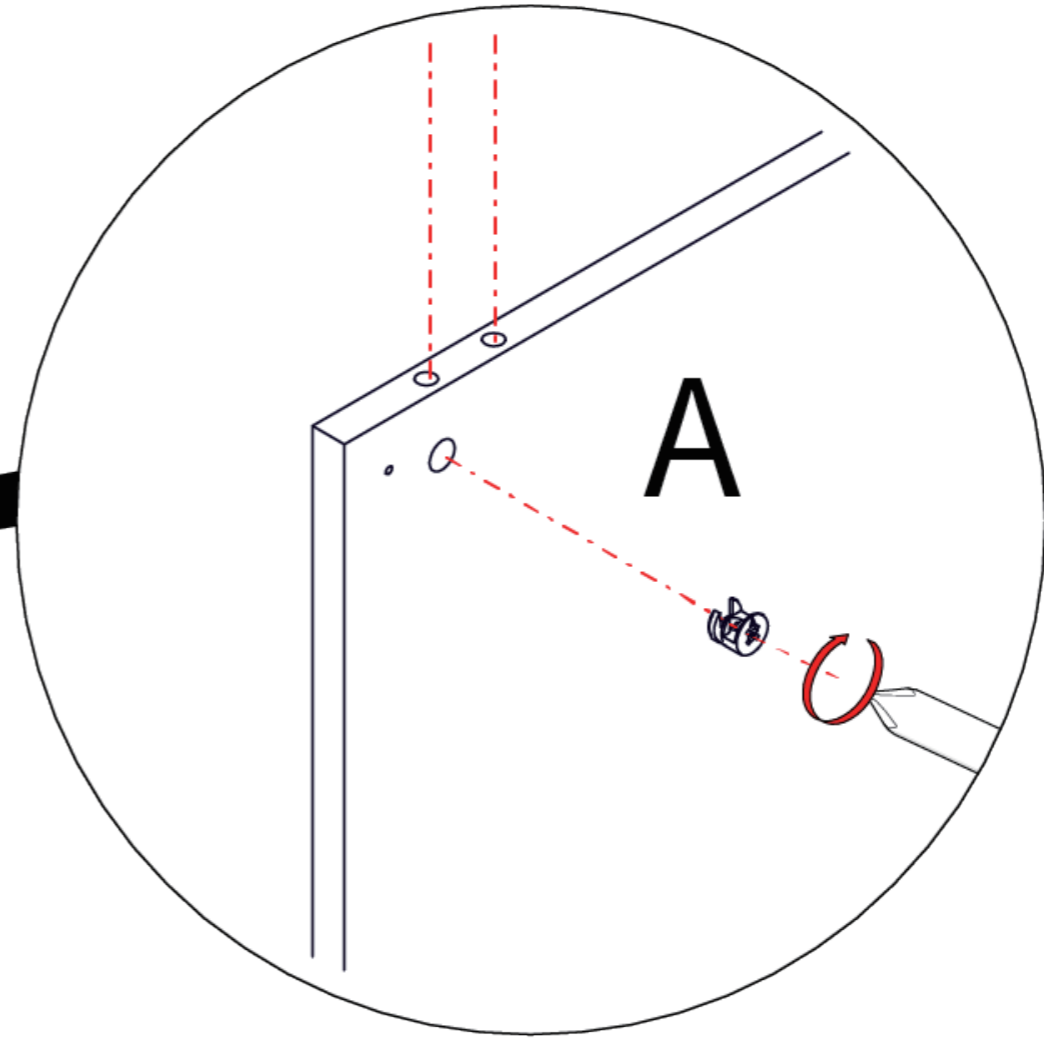
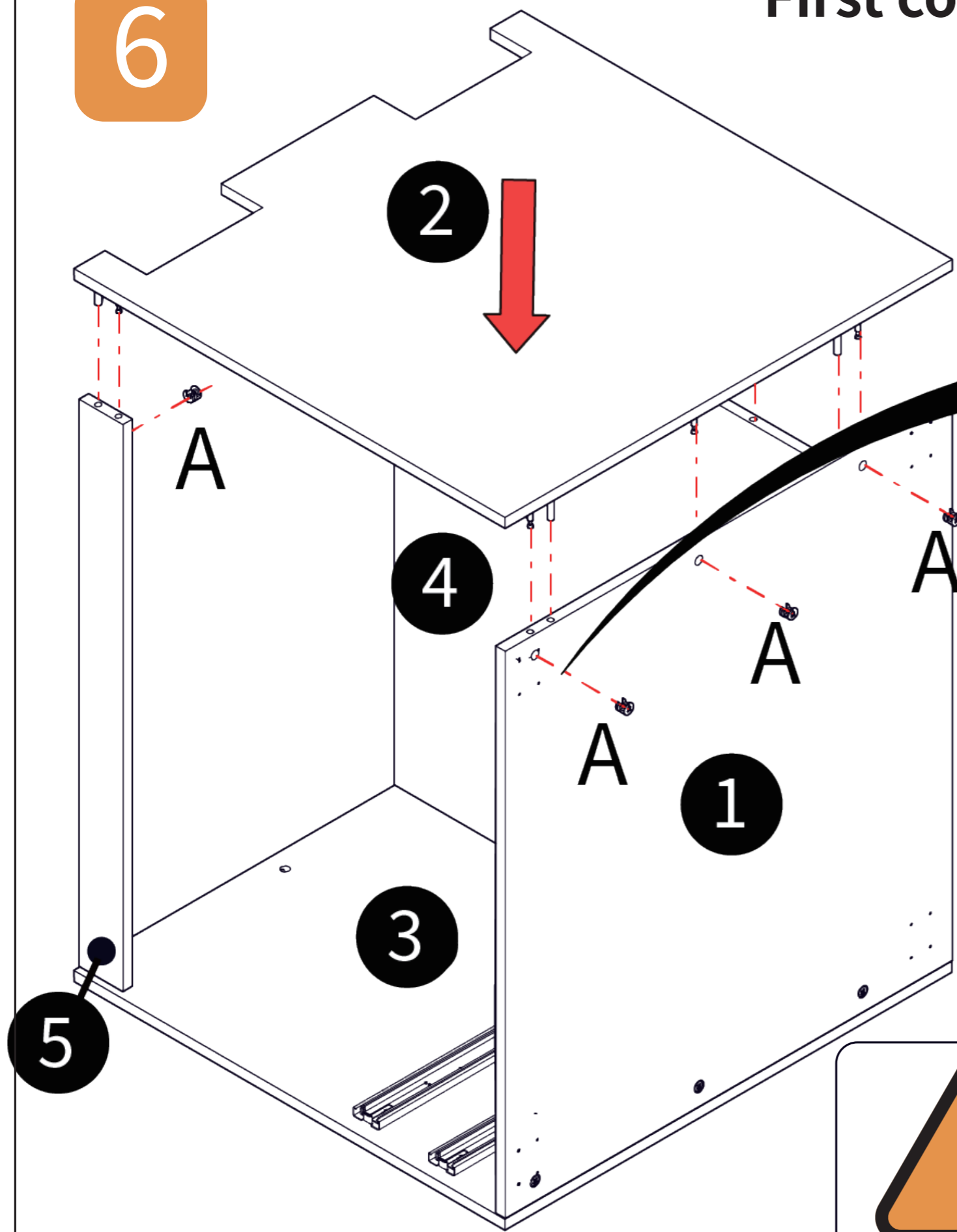


Cam wheel Diagram

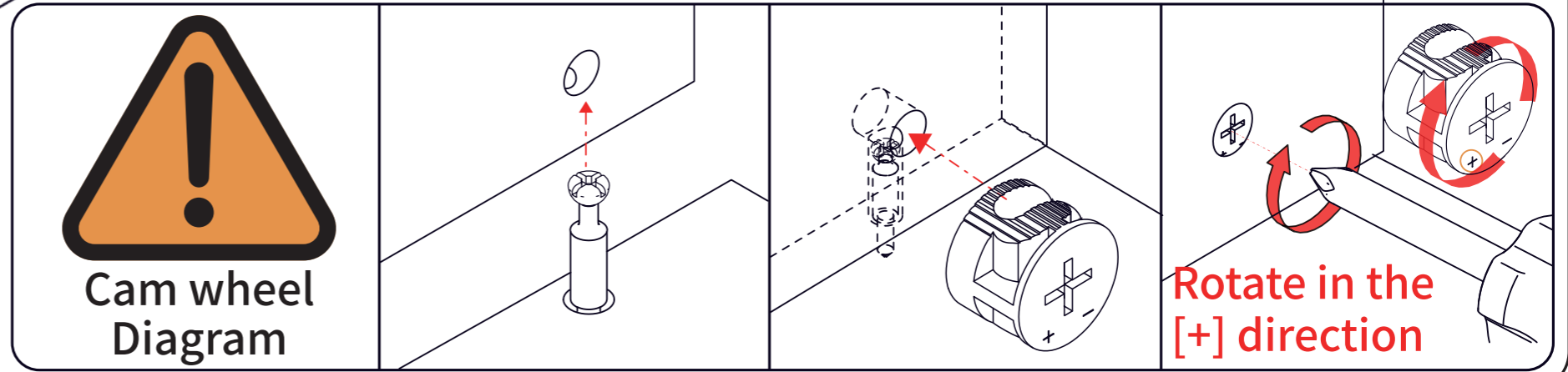
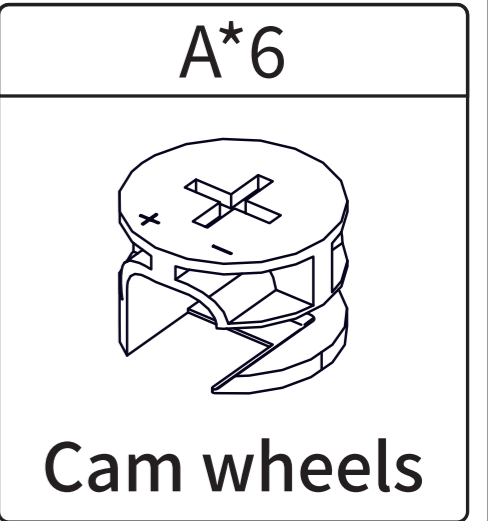


6

First connect Panel 2 to Panels 1, 4, and 5

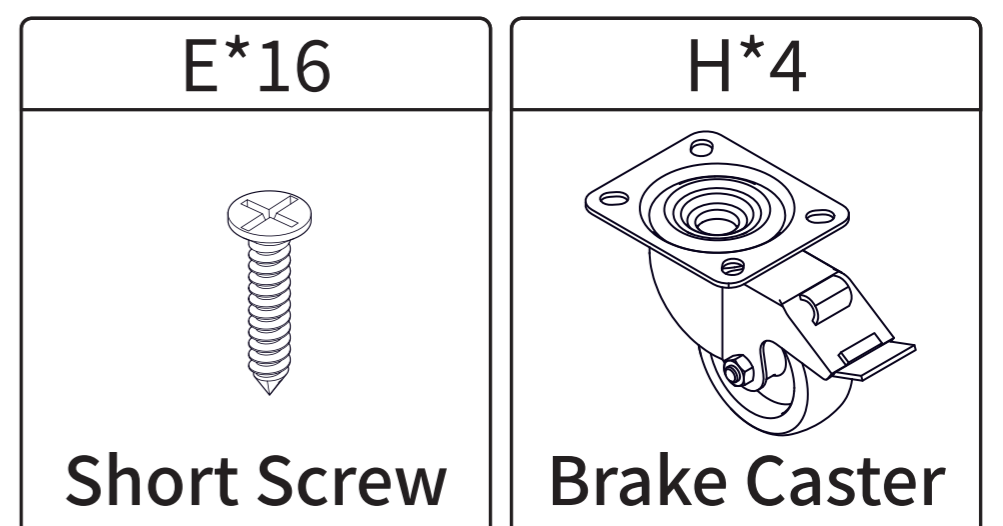
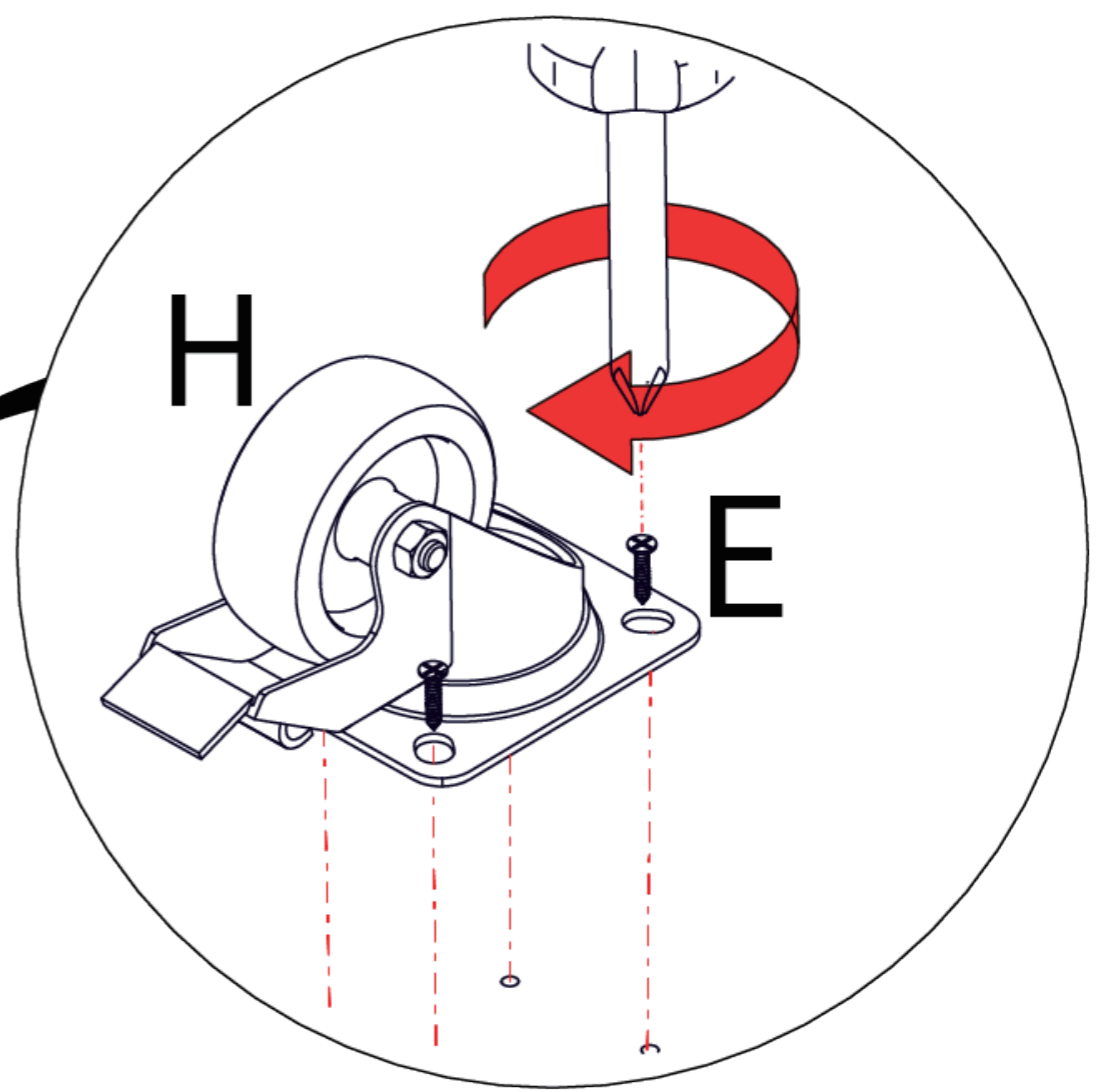
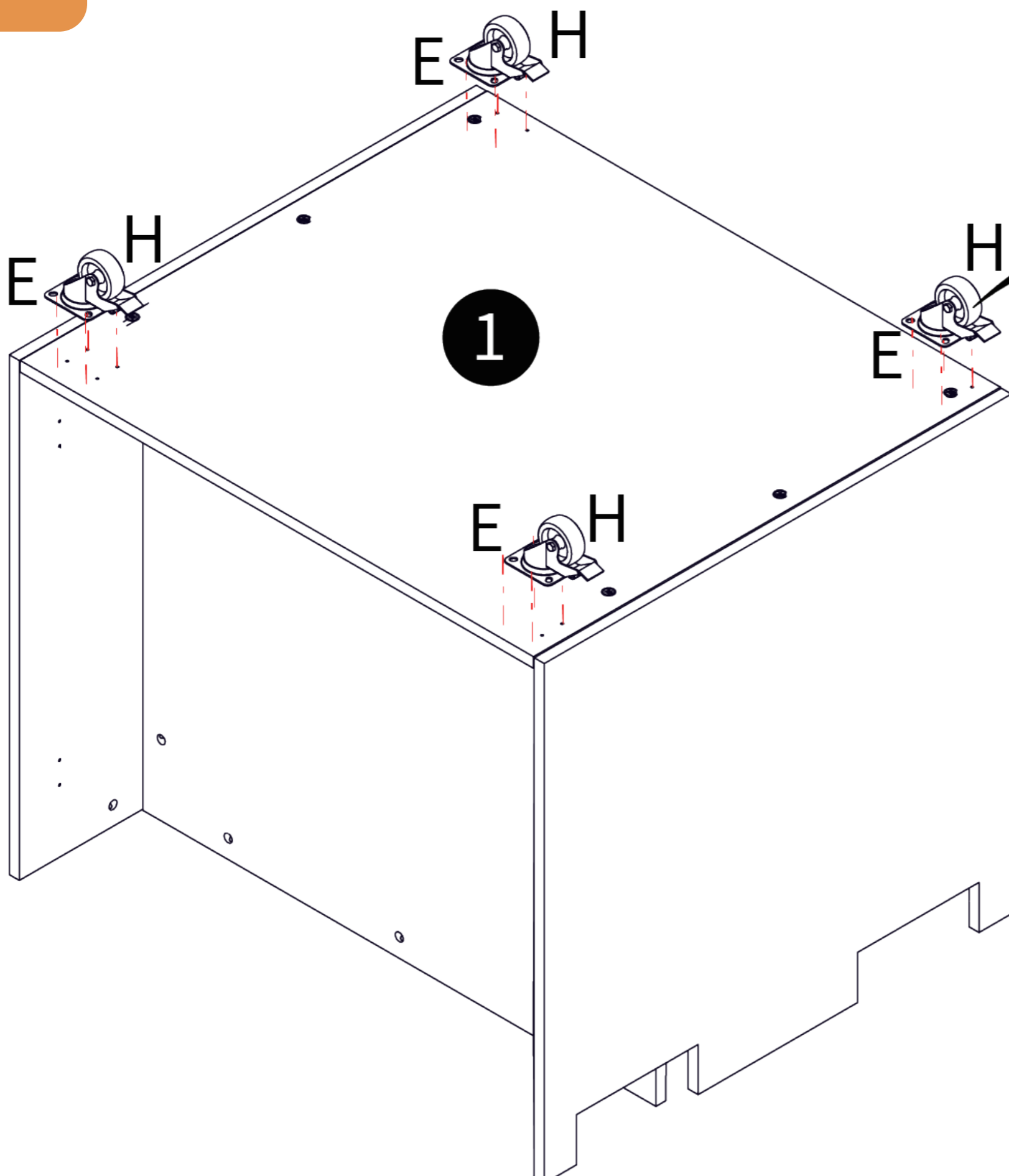


then press the Cam wheels (A) into Panels 1, 4, and 5, and tighten the Cam wheels.

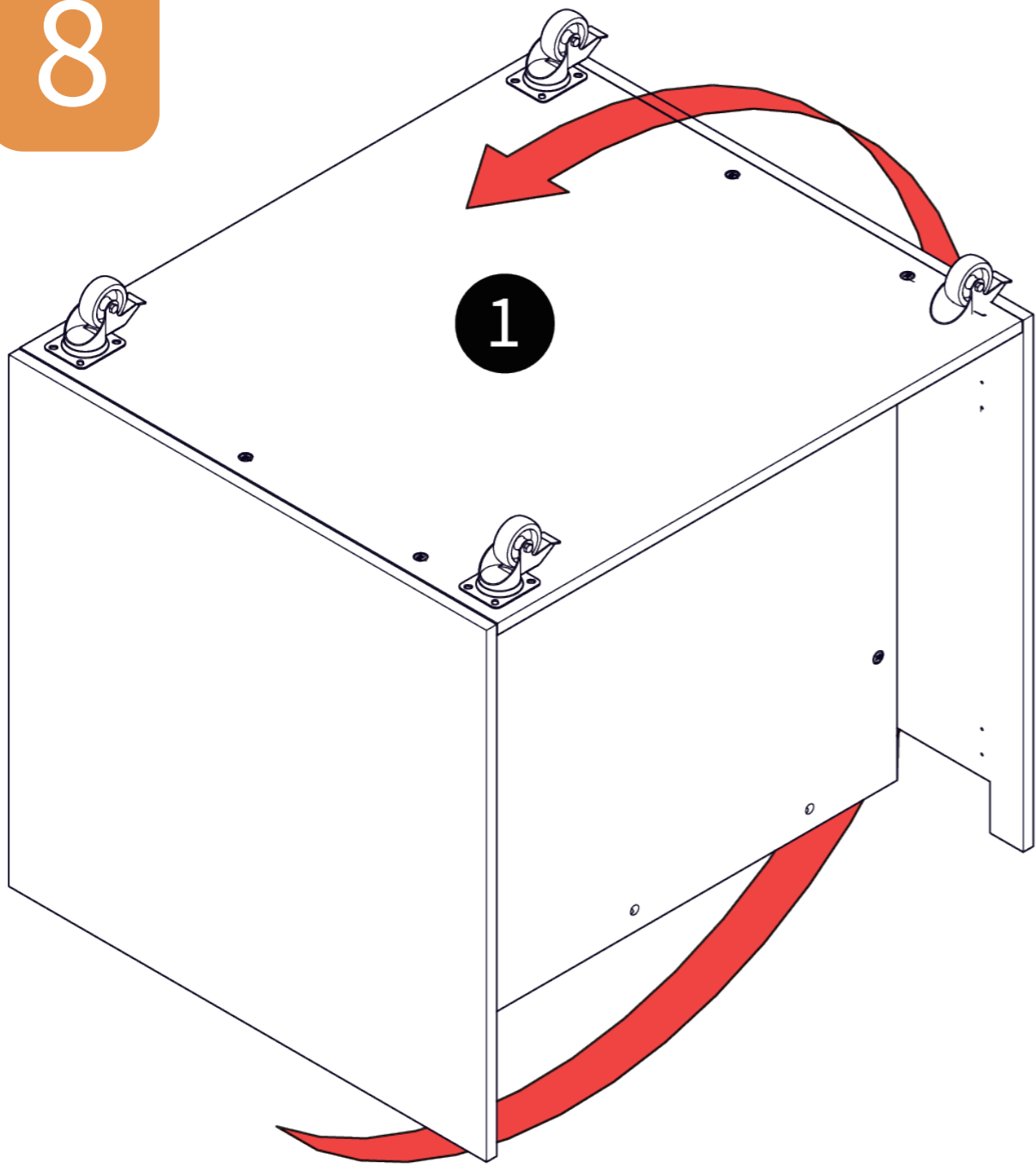


7

Use short screws (E) to fasten the Locking casters (H) into Panel 1.



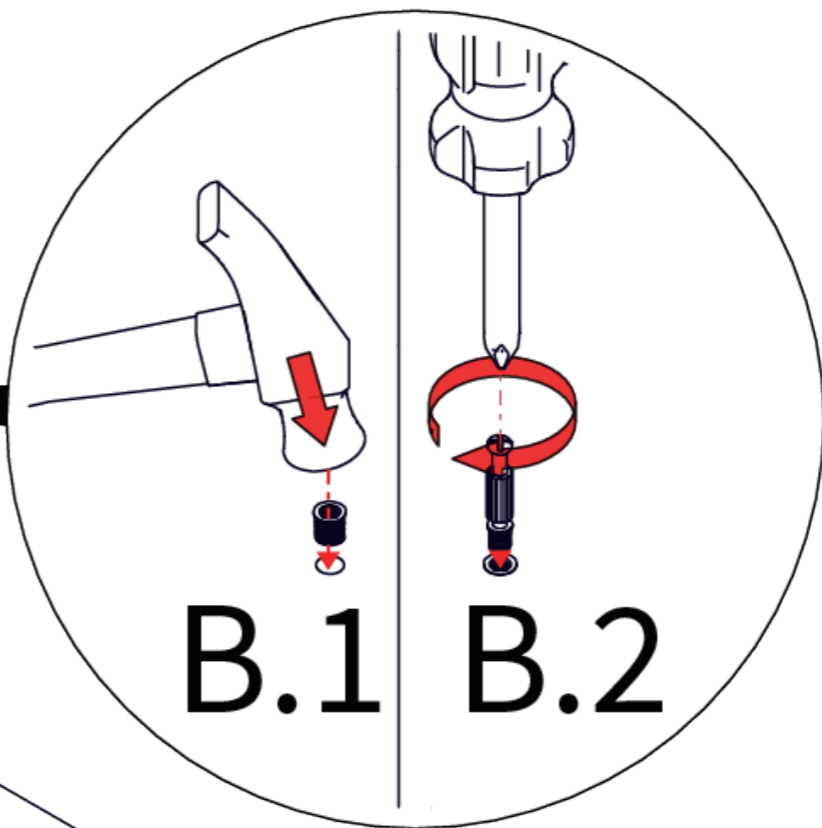
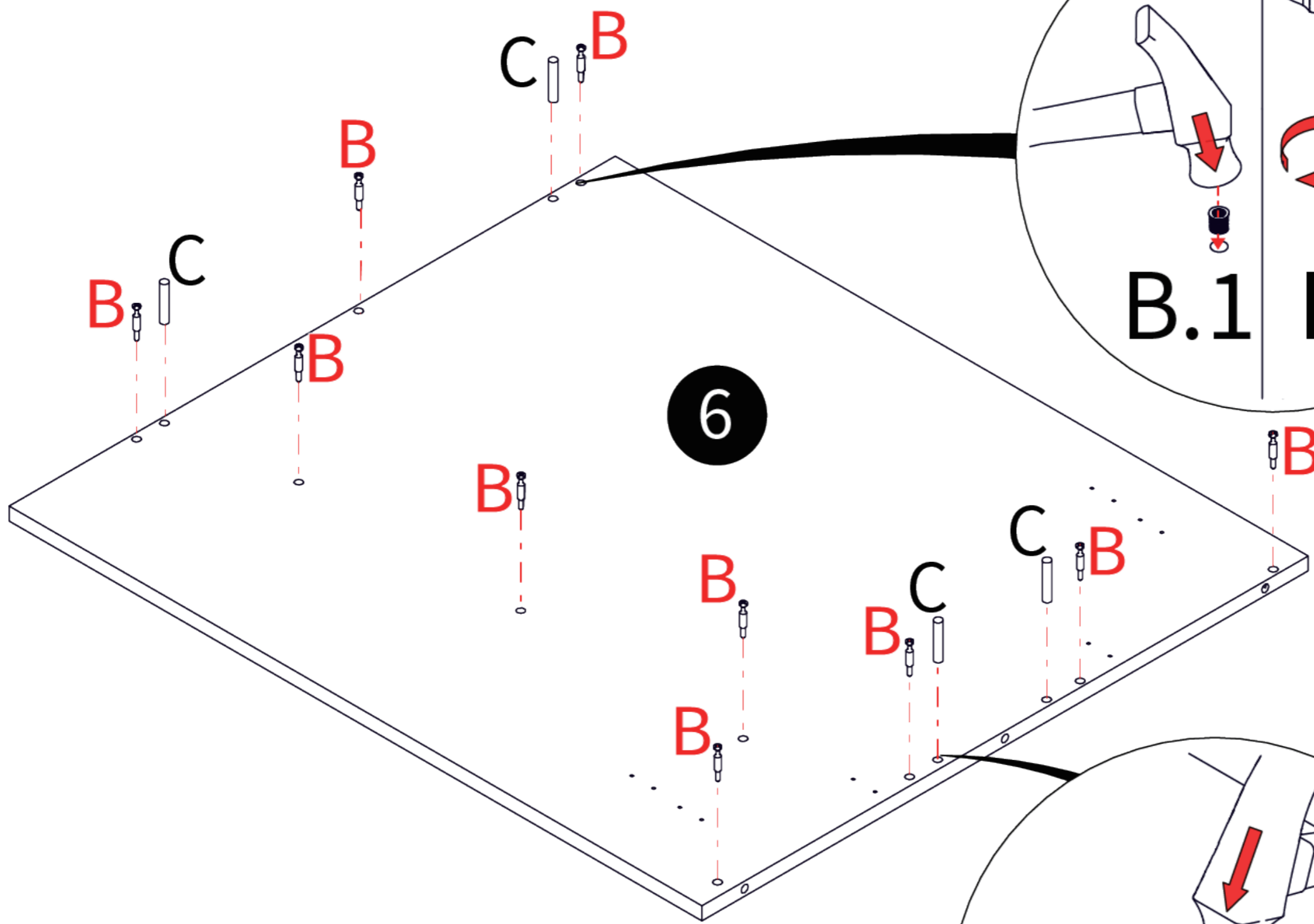
8



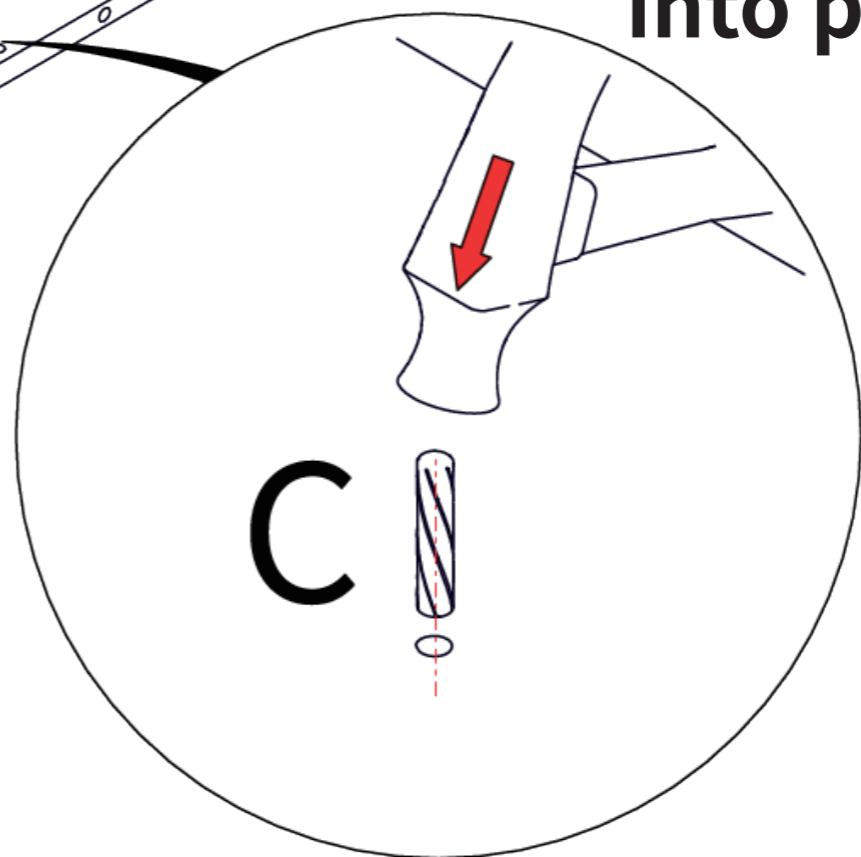
Rotate the cabinet body by 180°.

9

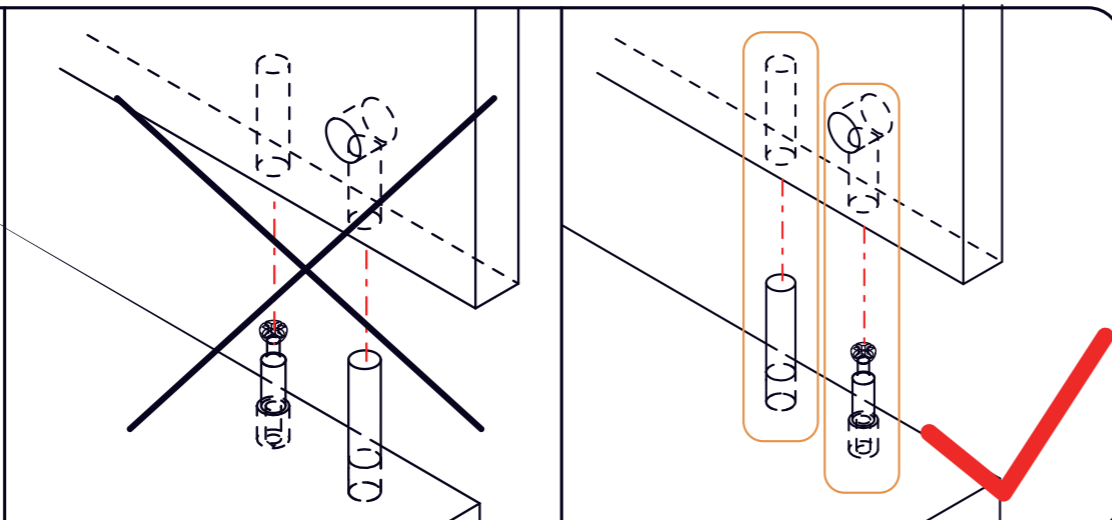
As shown in the figure, first tap the black Cam Nuts (B.1) into panel 6, then use a screwdriver to screw the cam bolts (B.2) into the black Cam Nuts.



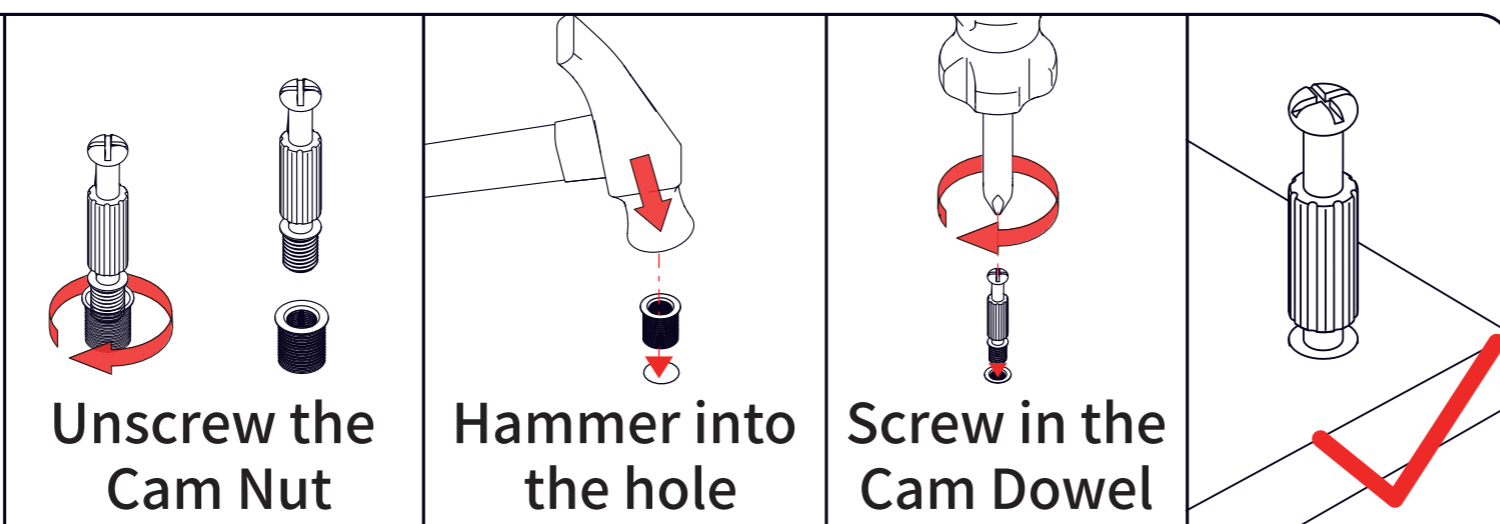
Next, insert the wooden dowels (C) into panel 6.



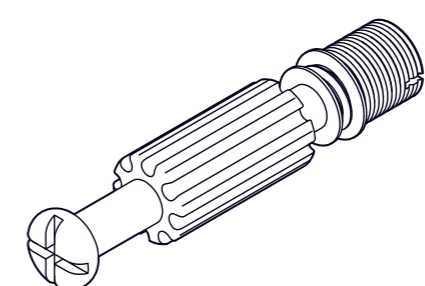
Wooden dowel Diagram



Cam bolt Diagram

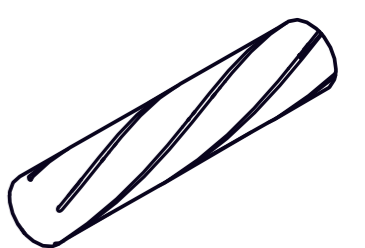


B\*10



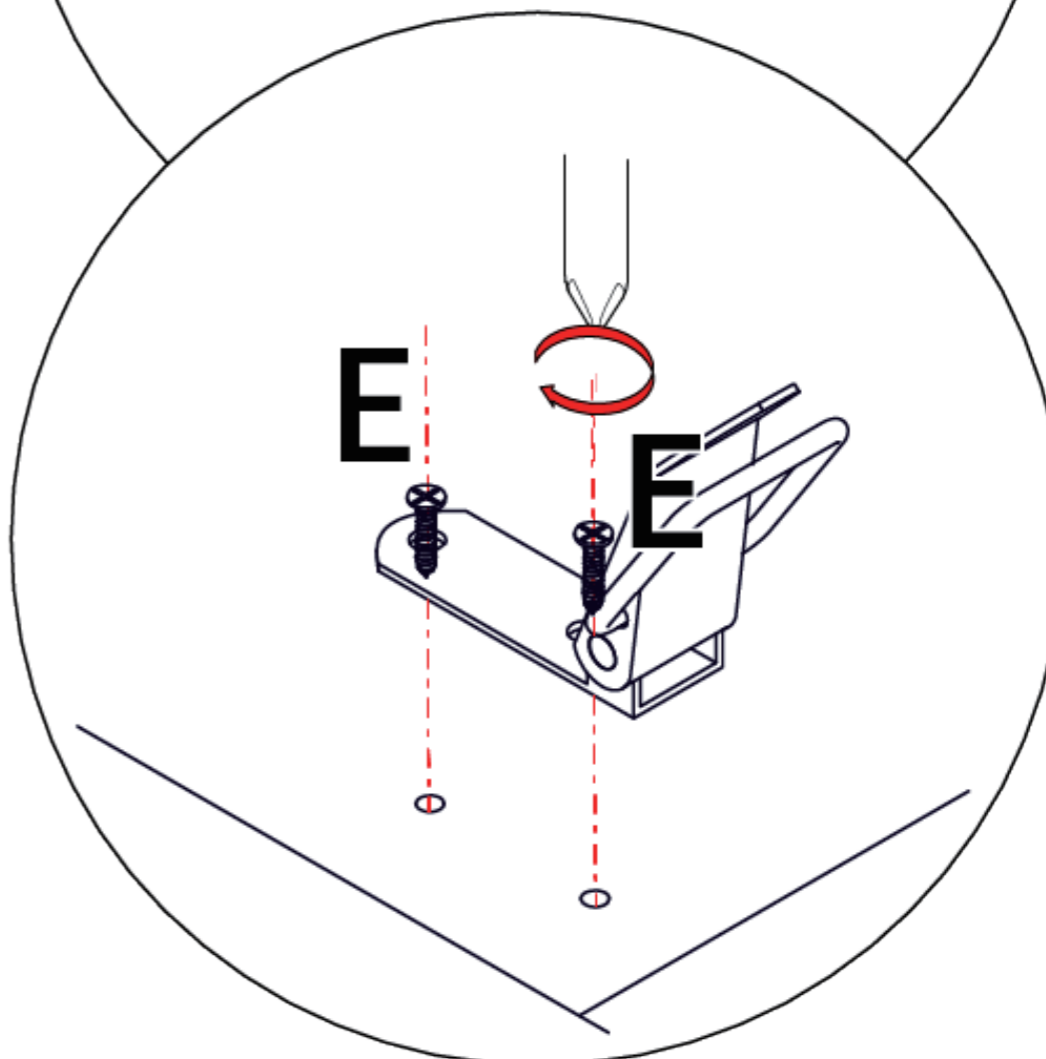
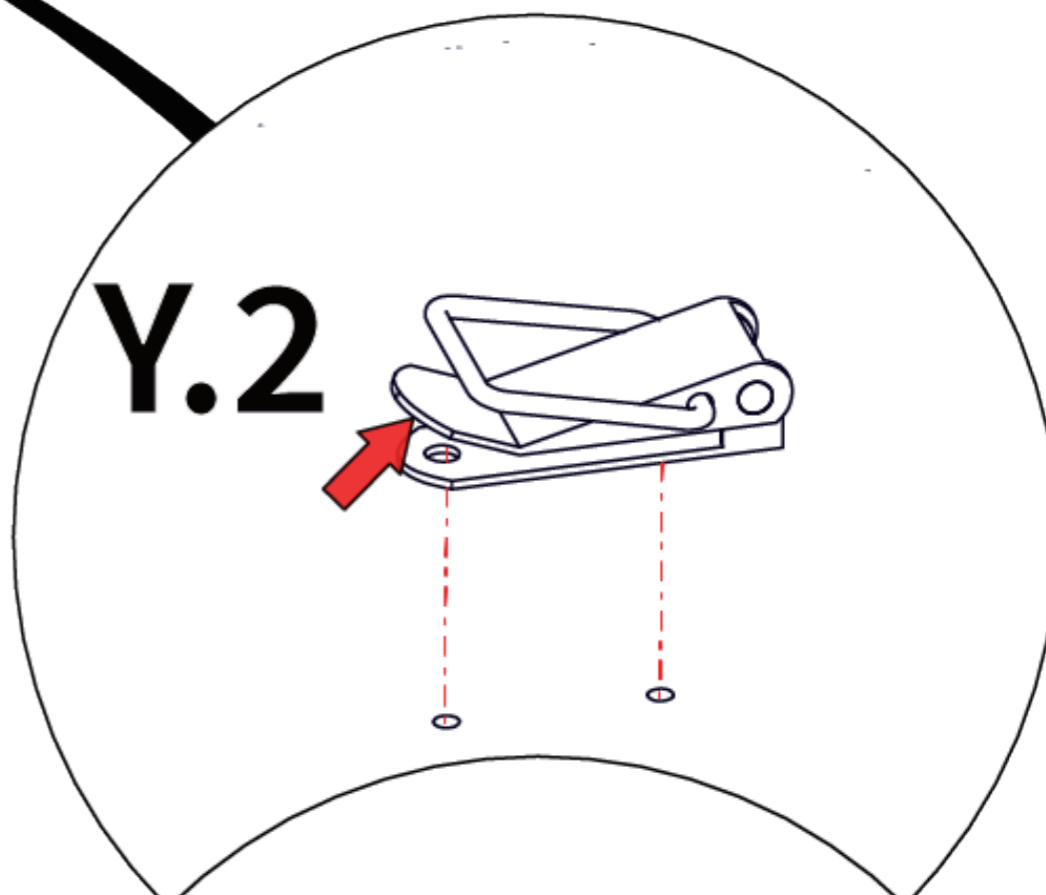
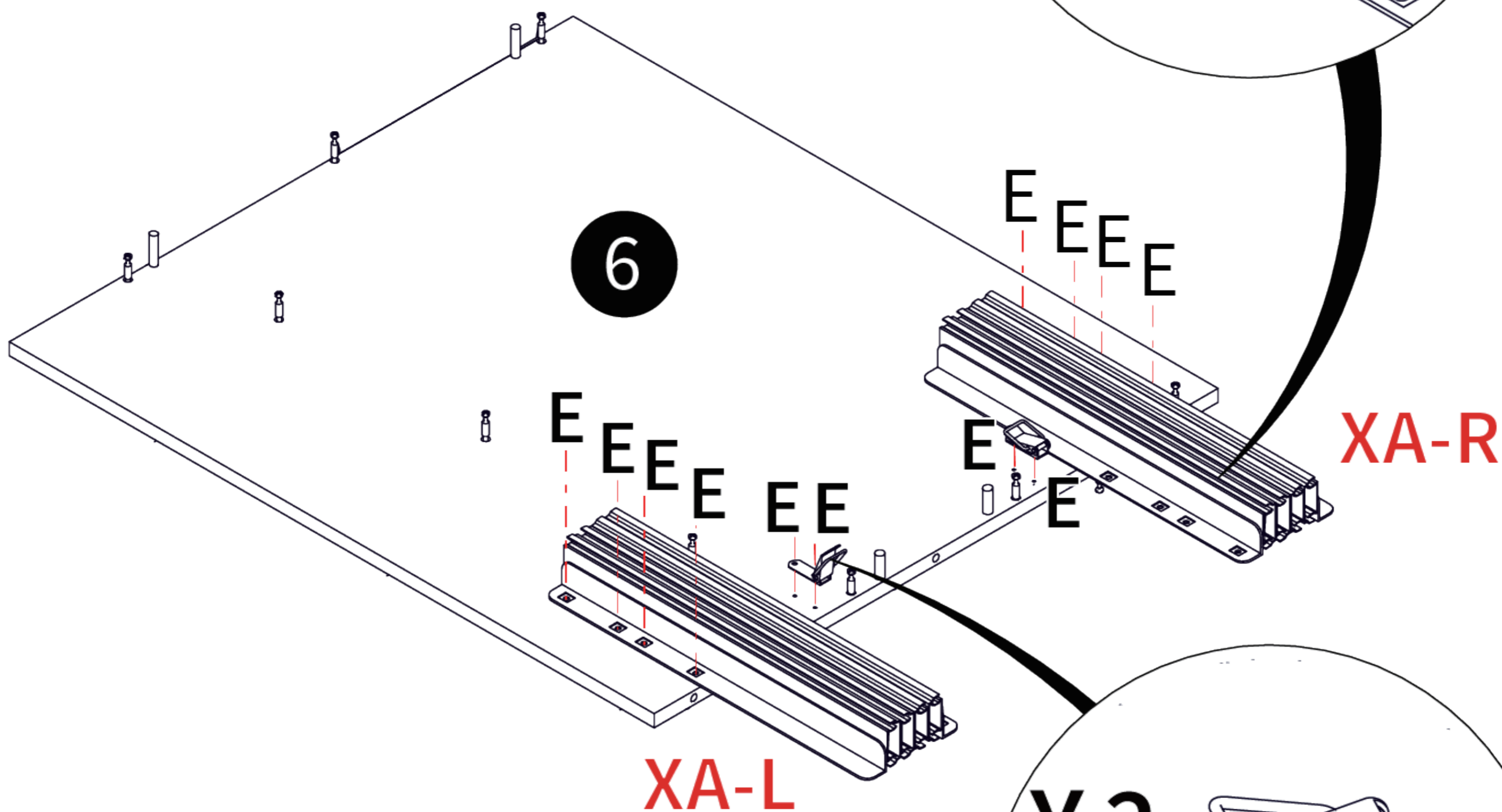
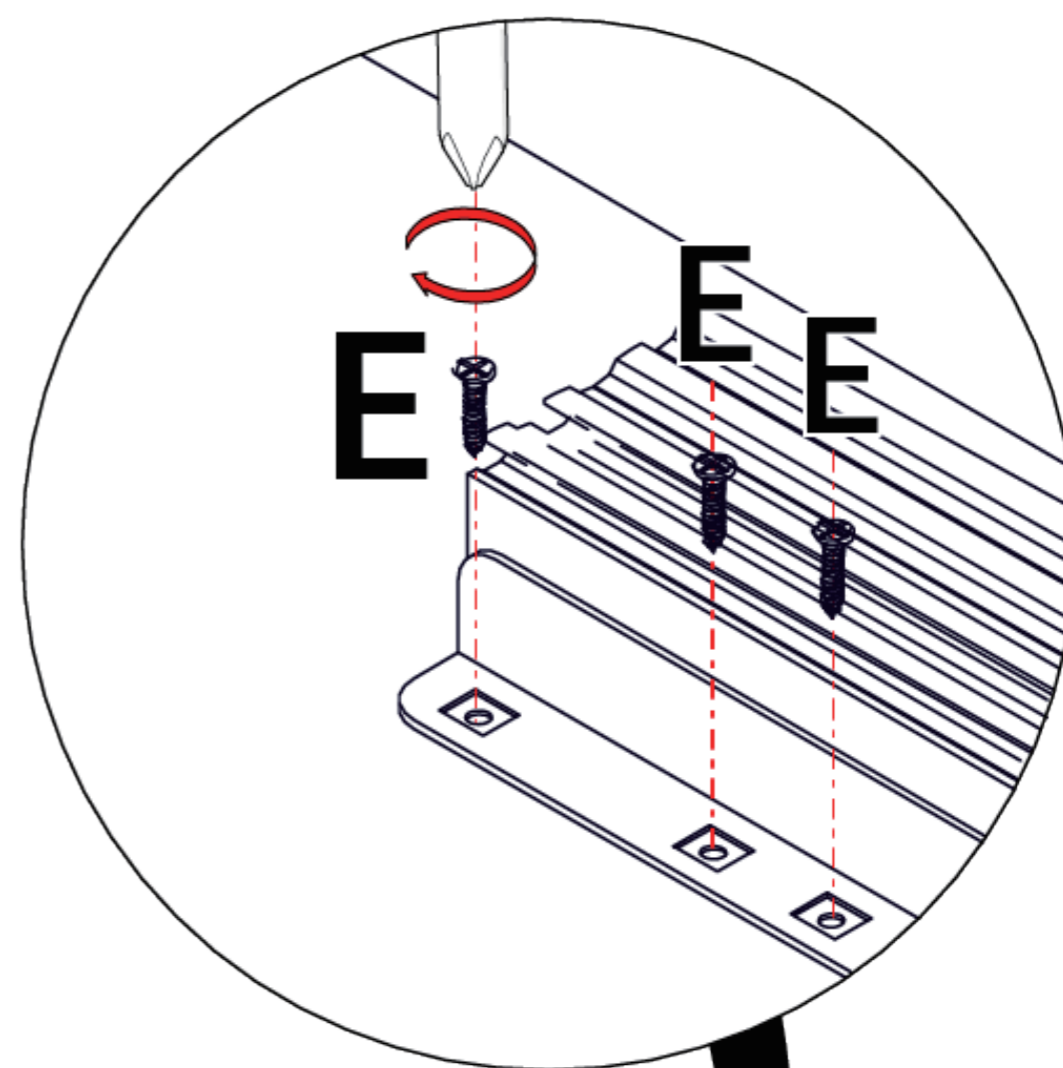
Cam bolt

C\*4

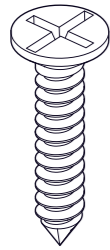
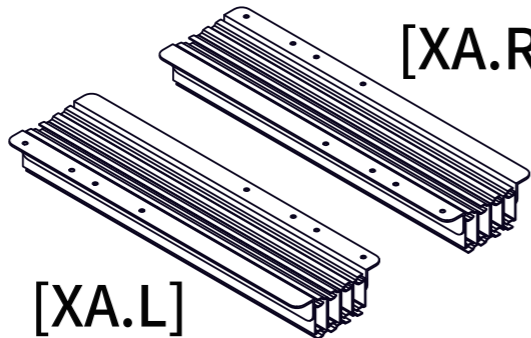
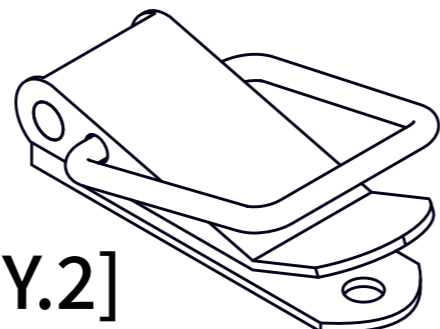


Wooden dowel

As shown in the figure, use the short screws (E) to fasten the Drawer Slide (XA) to the pilot holes on panel 6.

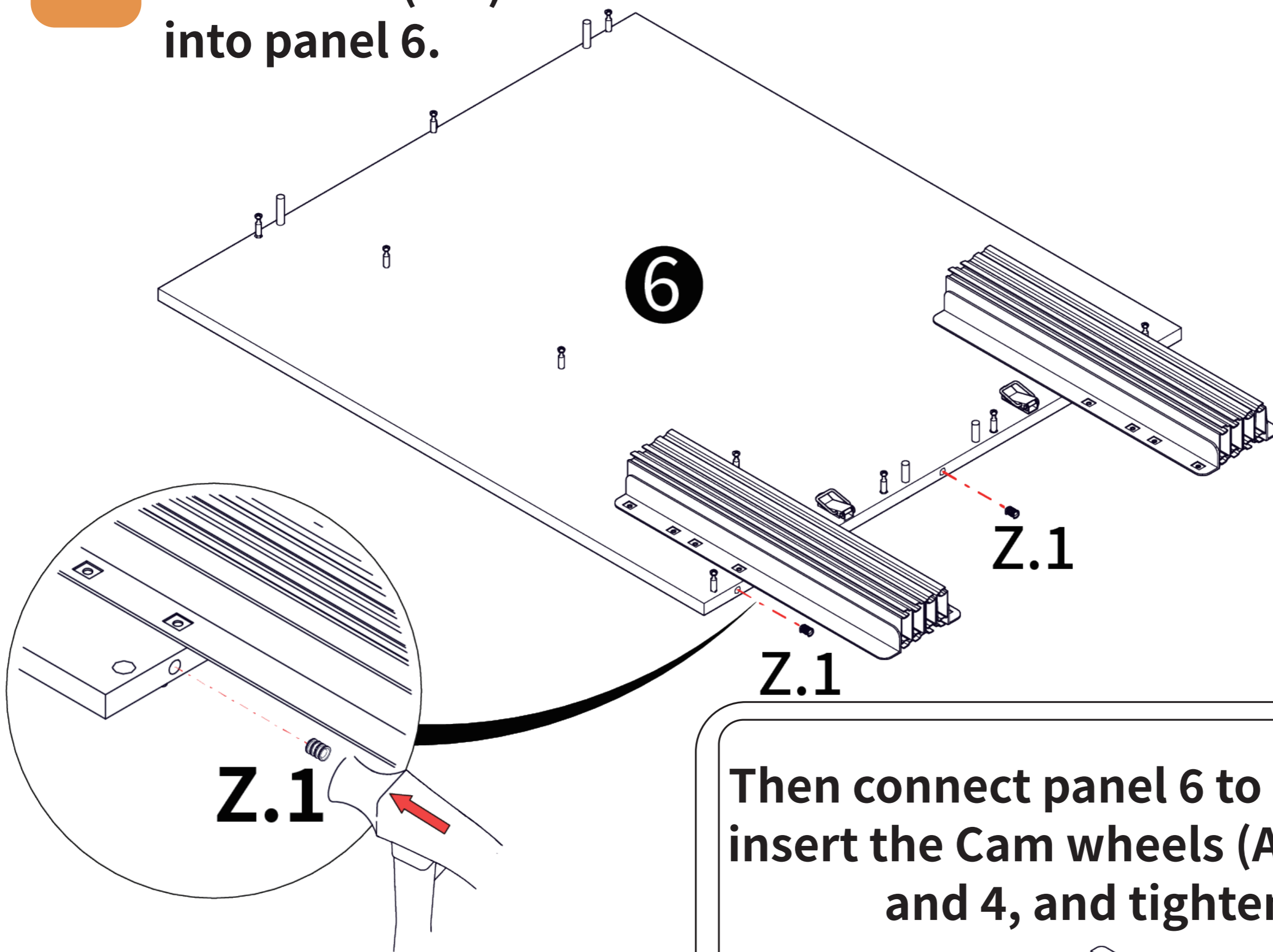
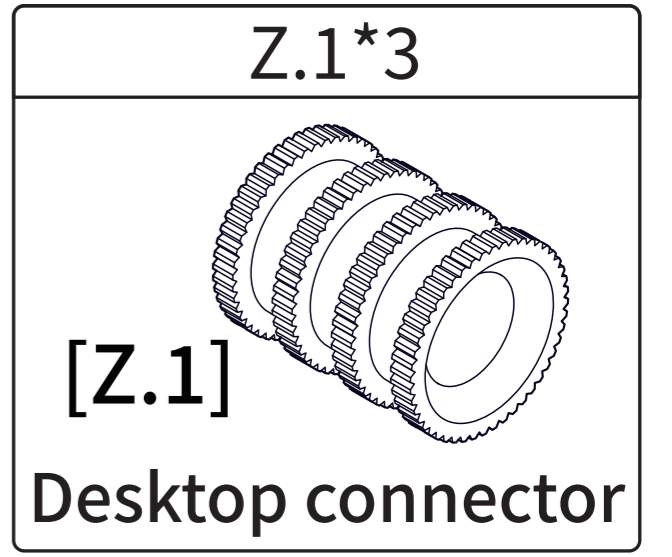


Then use short screws (E) to fasten the Desktop Fastener (Y.2) to the pilot holes on panel 6.

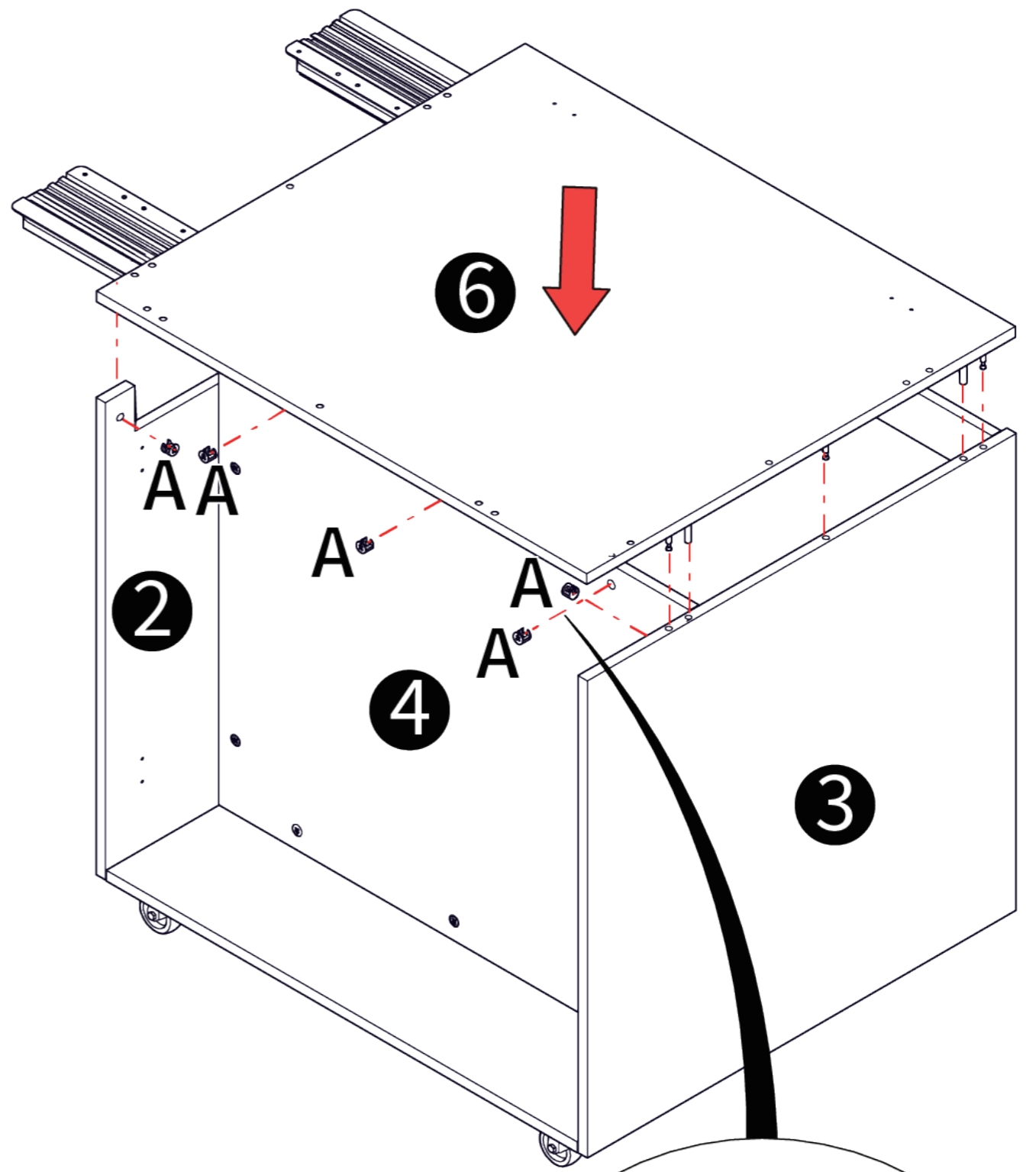
<p>E*12</p>  <p>Short screws</p>	<p>XA*1</p>  <p>[XA.L] Drawer Slide</p>	<p>Y.2*2</p>  <p>[Y.2] Desktop Fastener</p>
---	--	---

11

As shown in the figure, tap the desktop connector (Z.1) into panel 6.

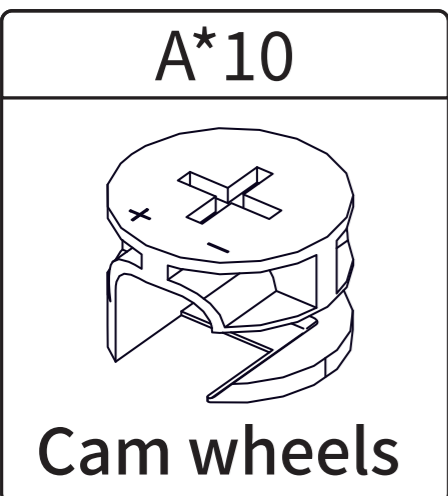
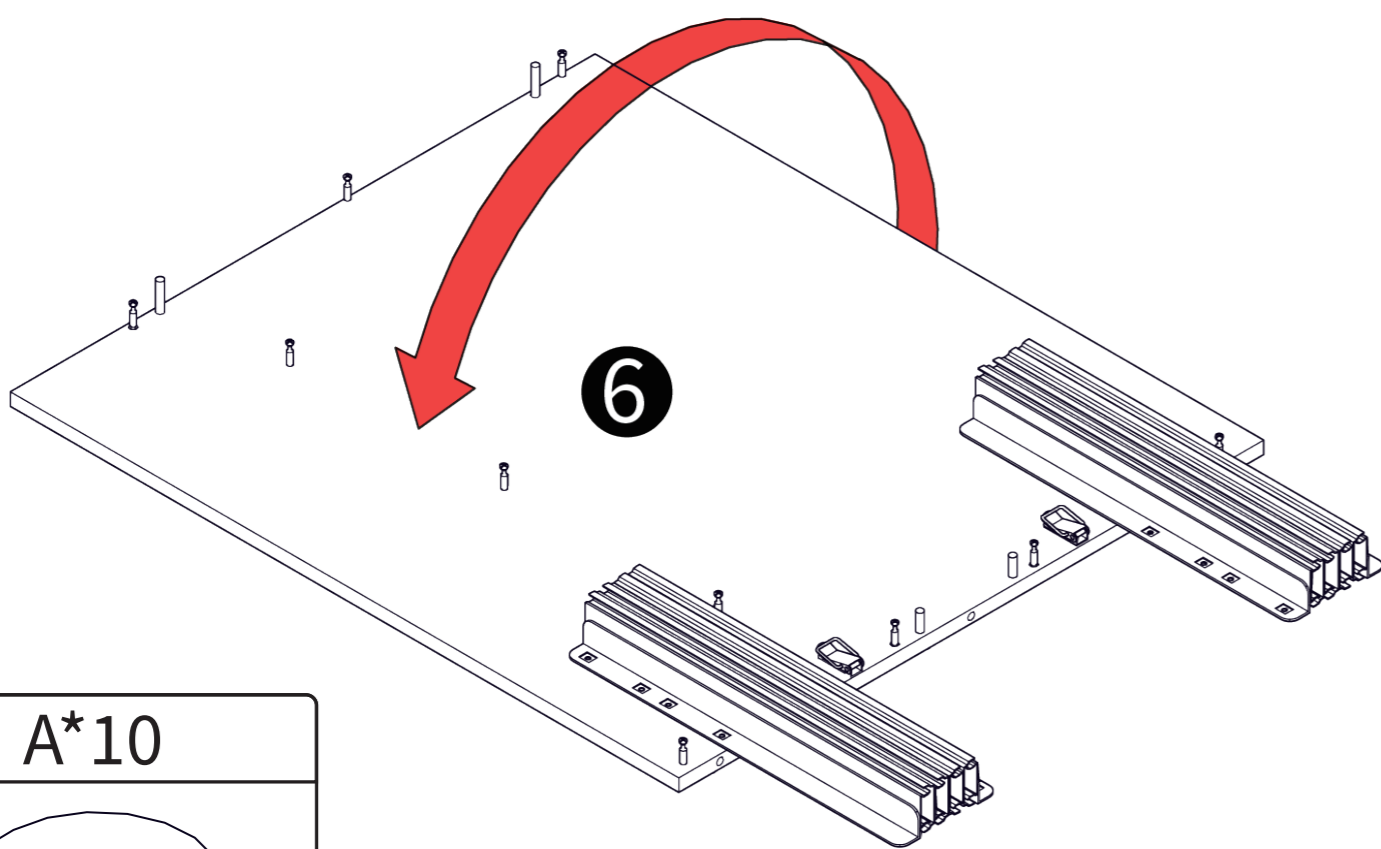


Then connect panel 6 to the cabinet body, insert the Cam wheels (A) into panels 2, 3, and 4, and tighten the Cam wheels.

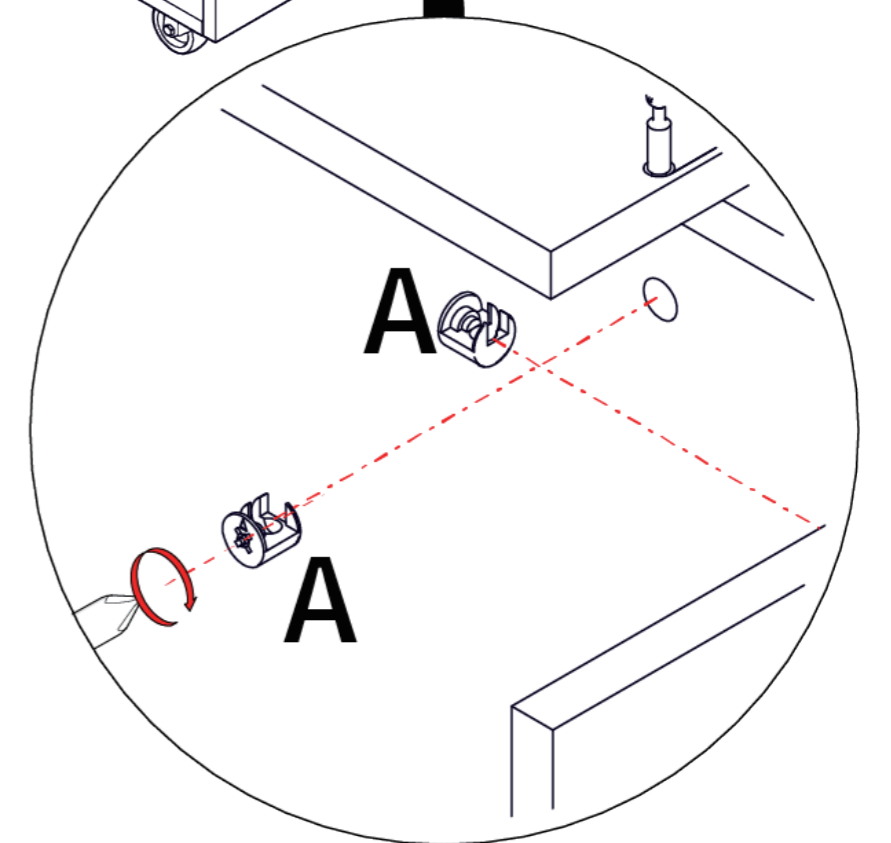
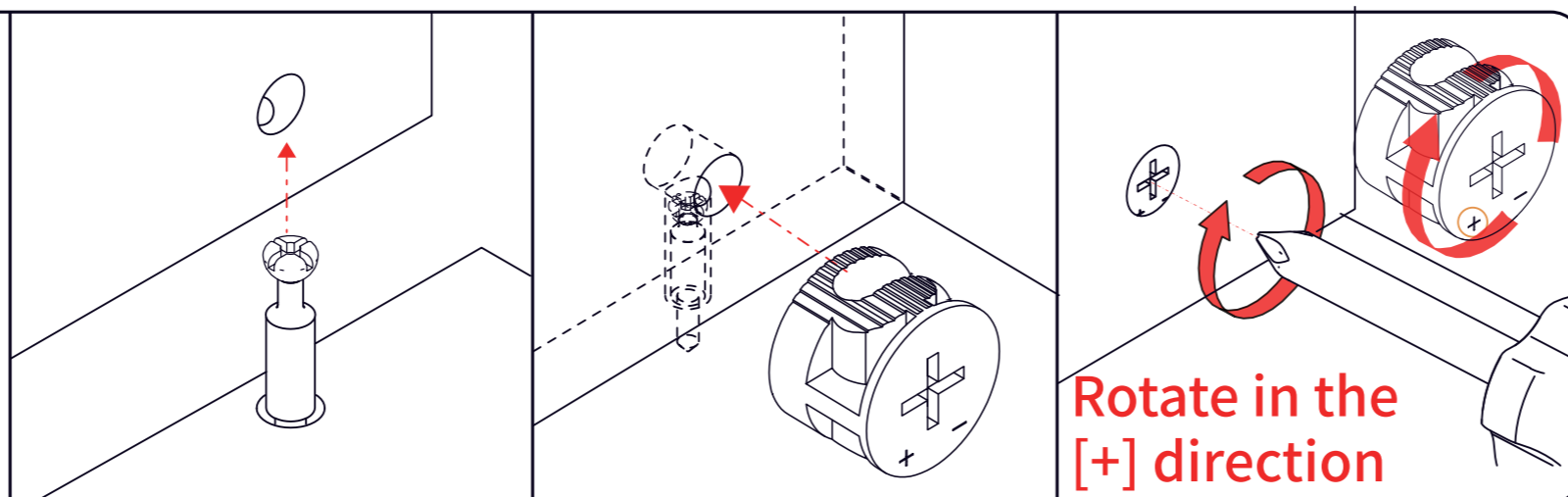


12

First, rotate panel 6 by 180°.

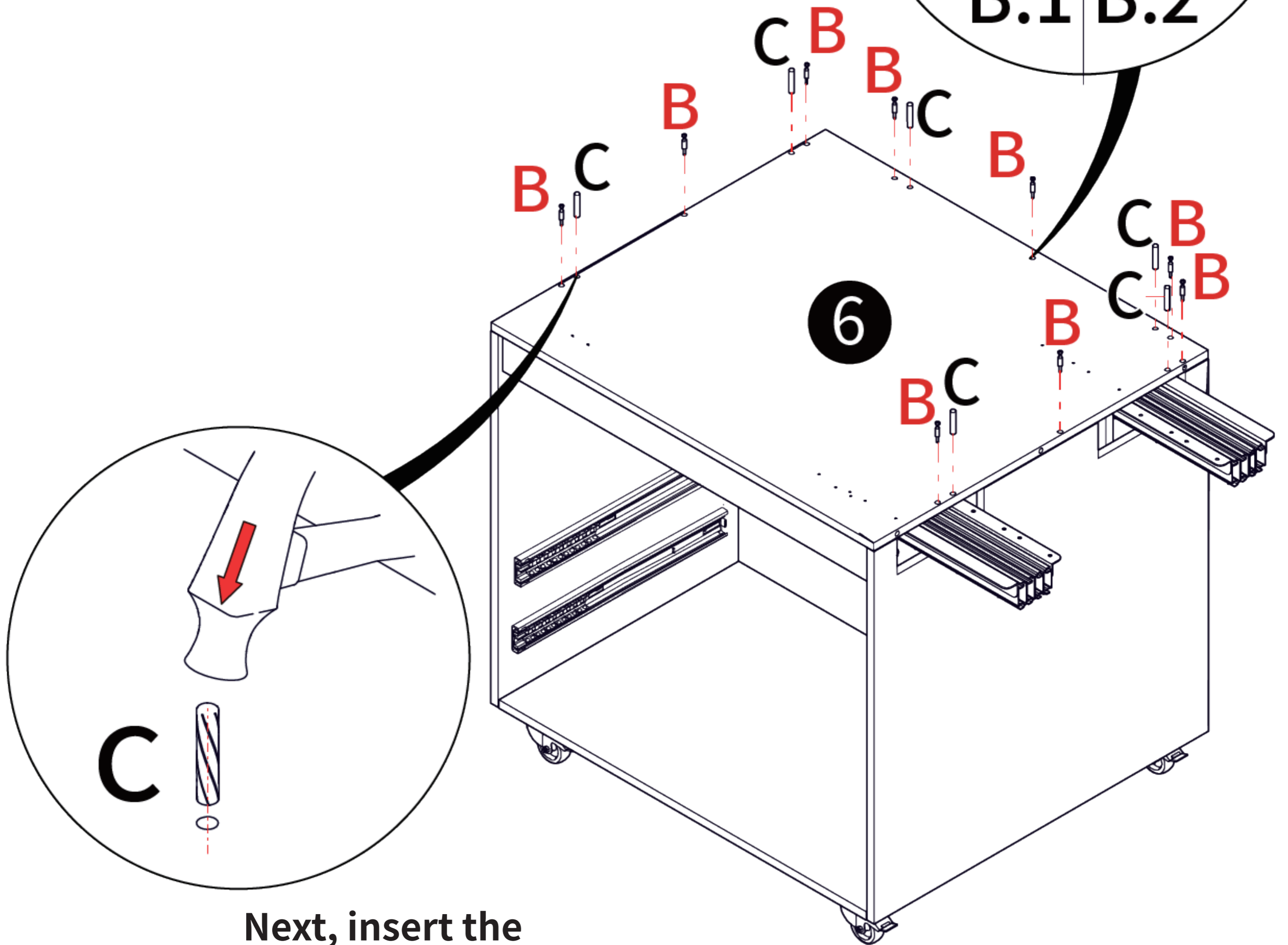
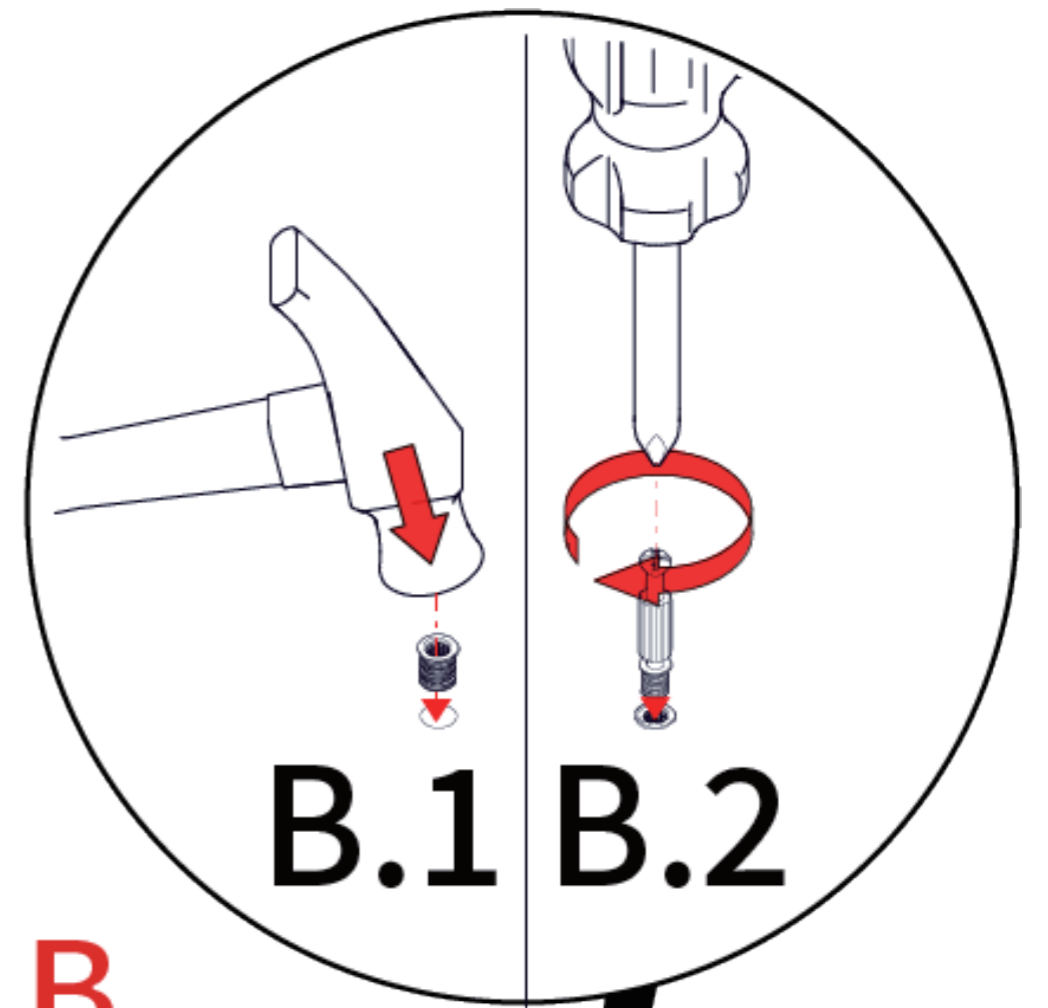


Cam wheel Diagram


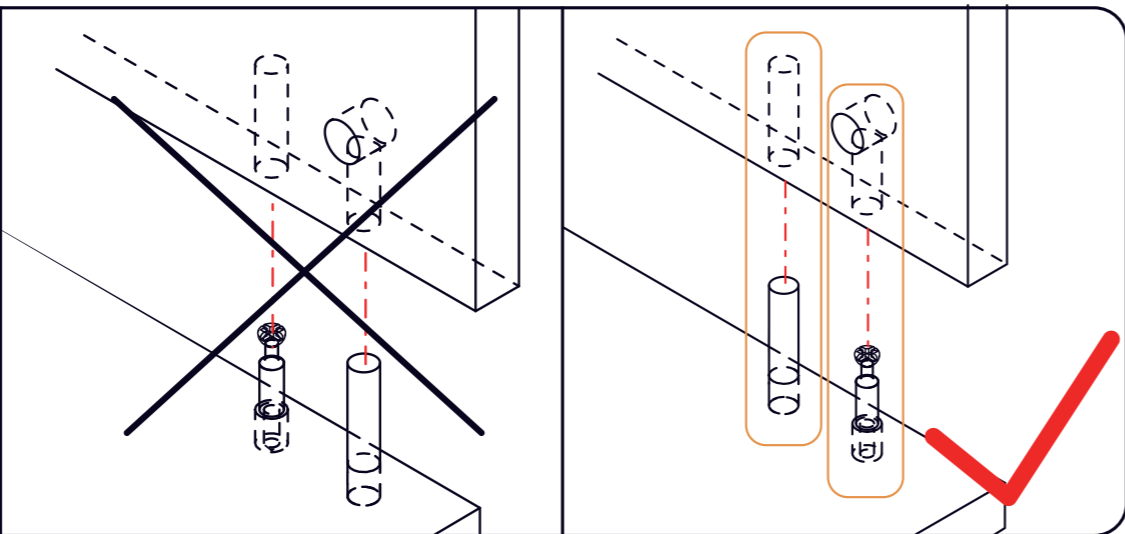

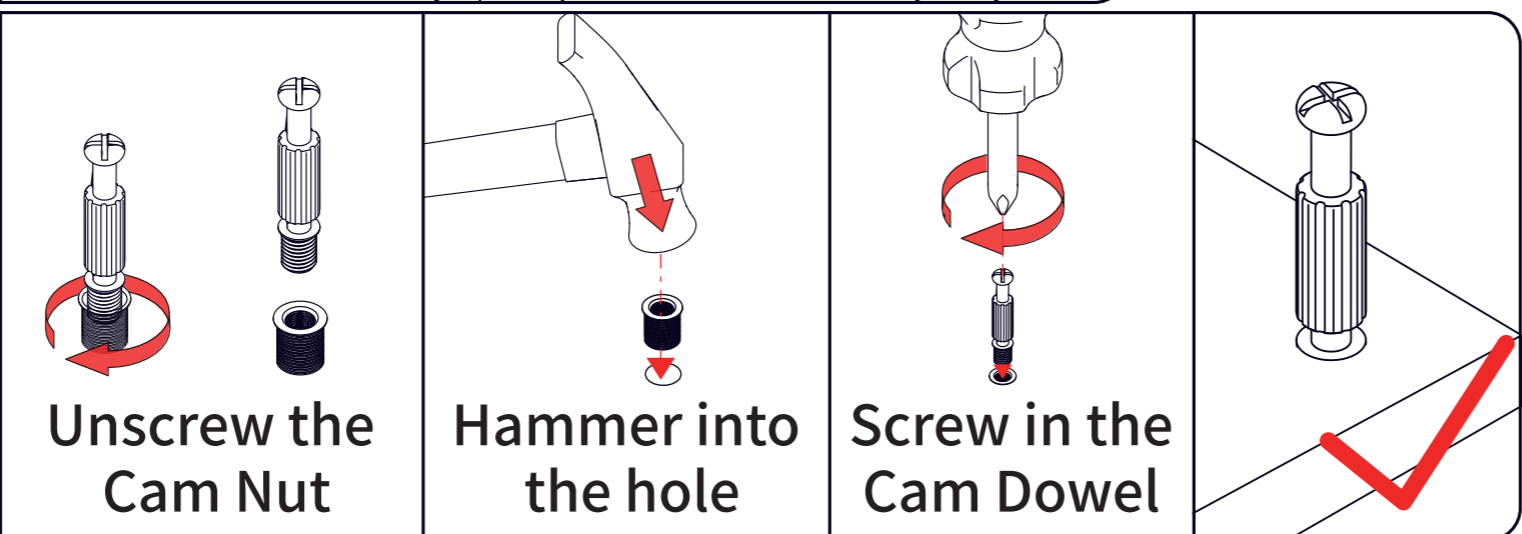

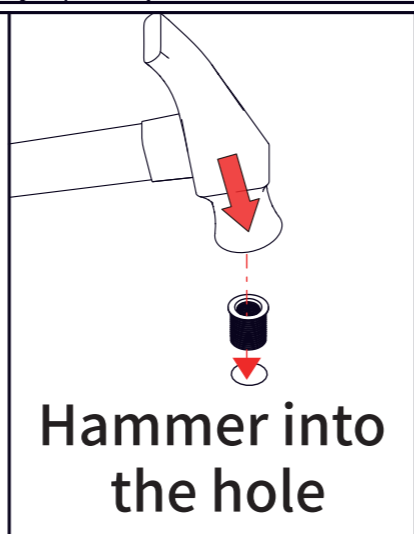
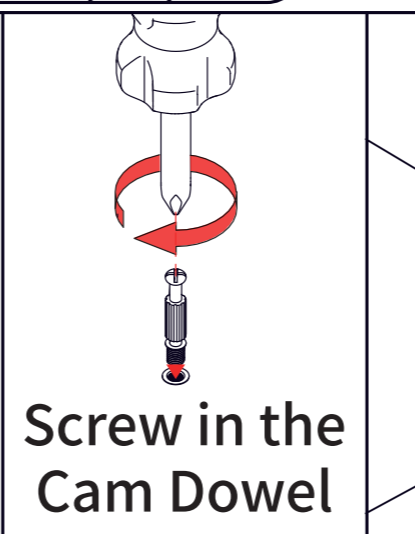
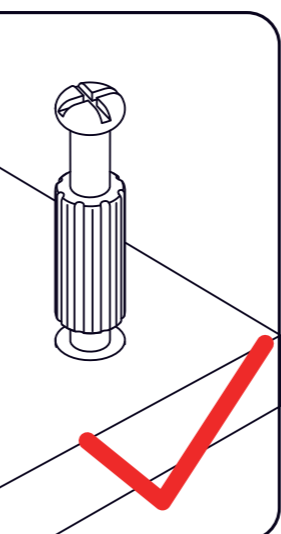
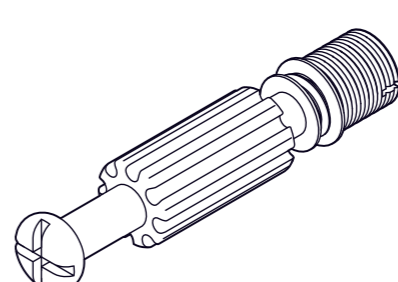
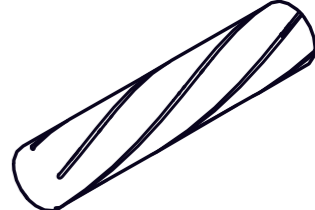


13

As shown in the figure, first tap the black Cam Nuts (B.1) into panel 6, then use a screwdriver to screw the cam bolts (B.2) into the black Cam Nuts.

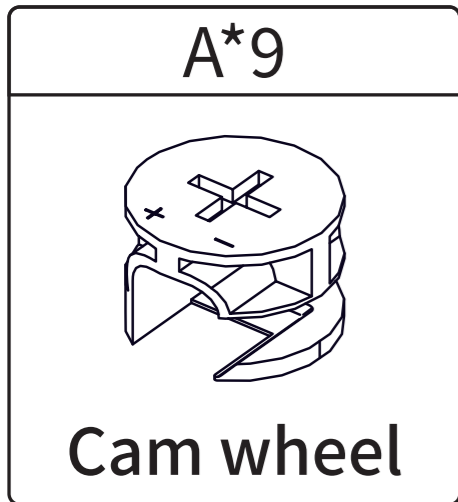
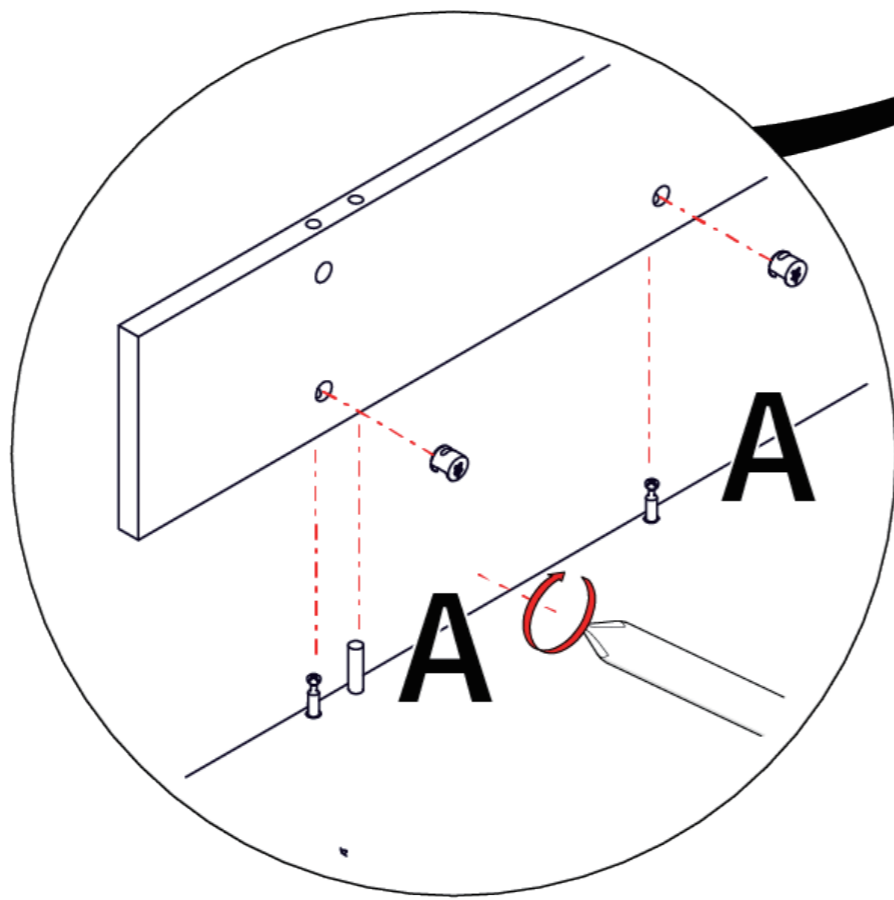
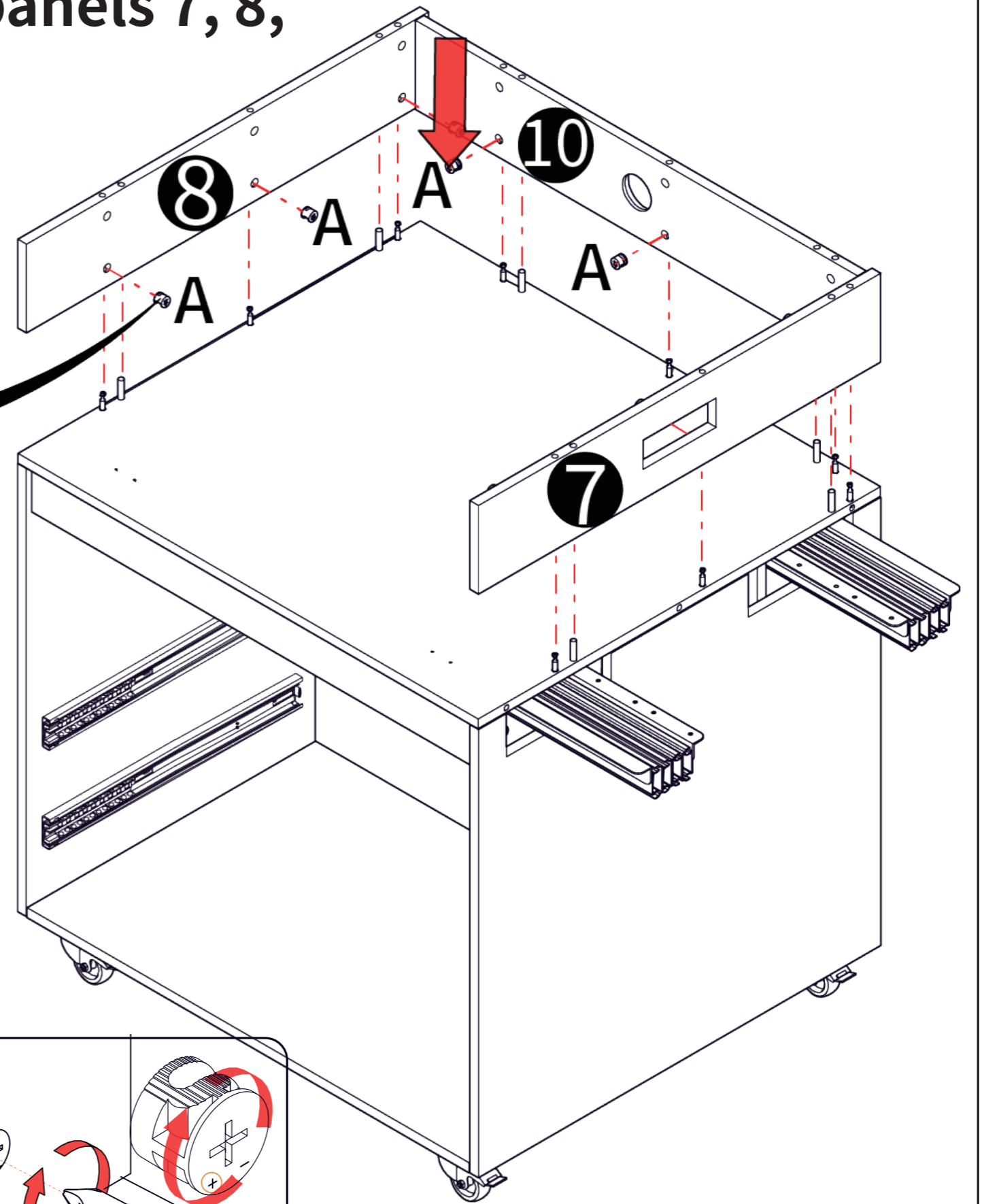


Next, insert the wooden dowels (C) into panel 6.

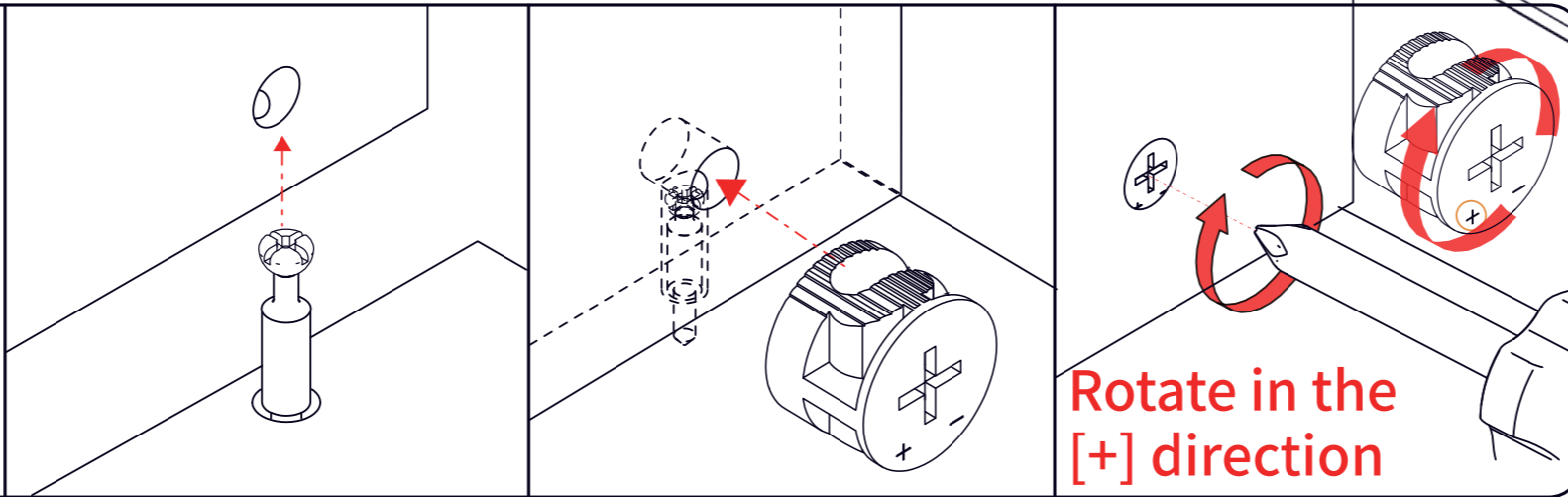
 Wooden dowel Diagram					
 Cam bolt Diagram					
				<p>B*9</p>  Cam bolt	<p>C*6</p>  Wooden dowel

14

As shown in the figure, connect panels 7, 8, and 10 to panel 6, insert the Cam wheels (A) into panels 7, 8, and 10, and tighten the Cam wheels.



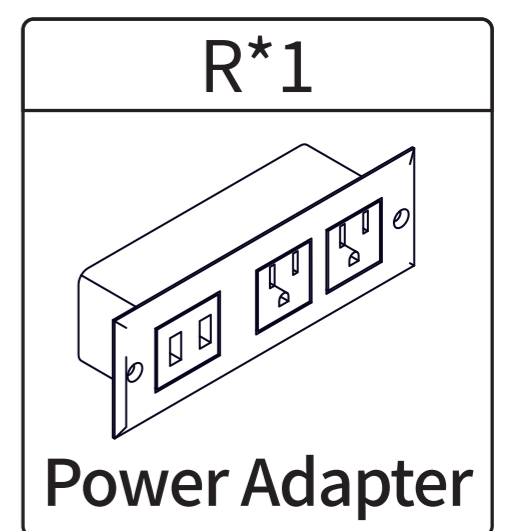
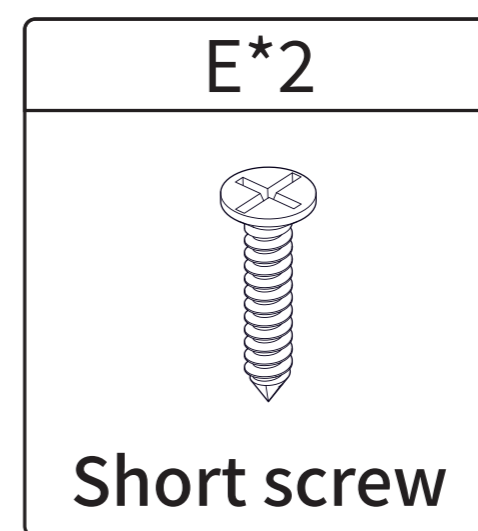
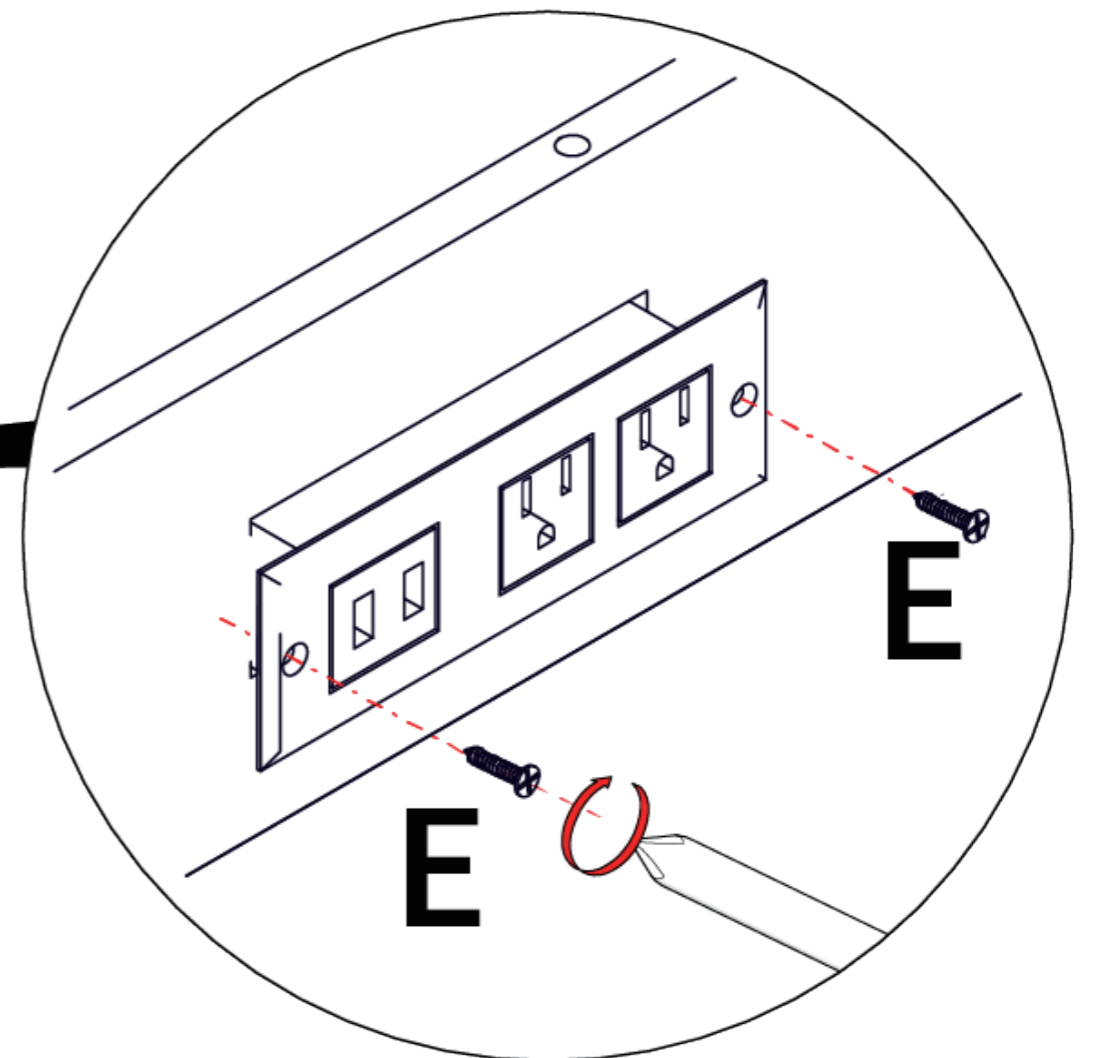
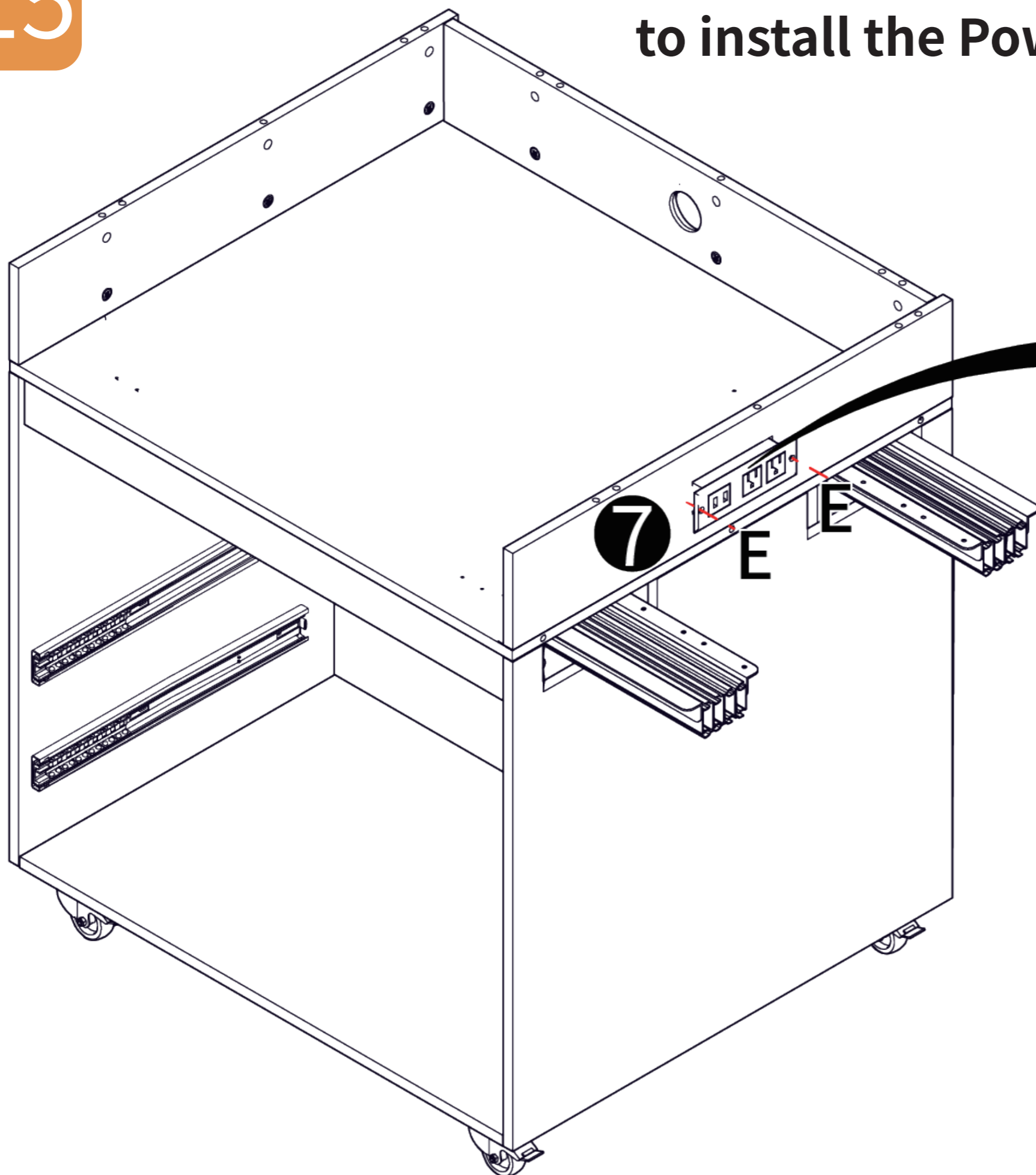
Cam wheel Diagram



Rotate in the [+]  
direction

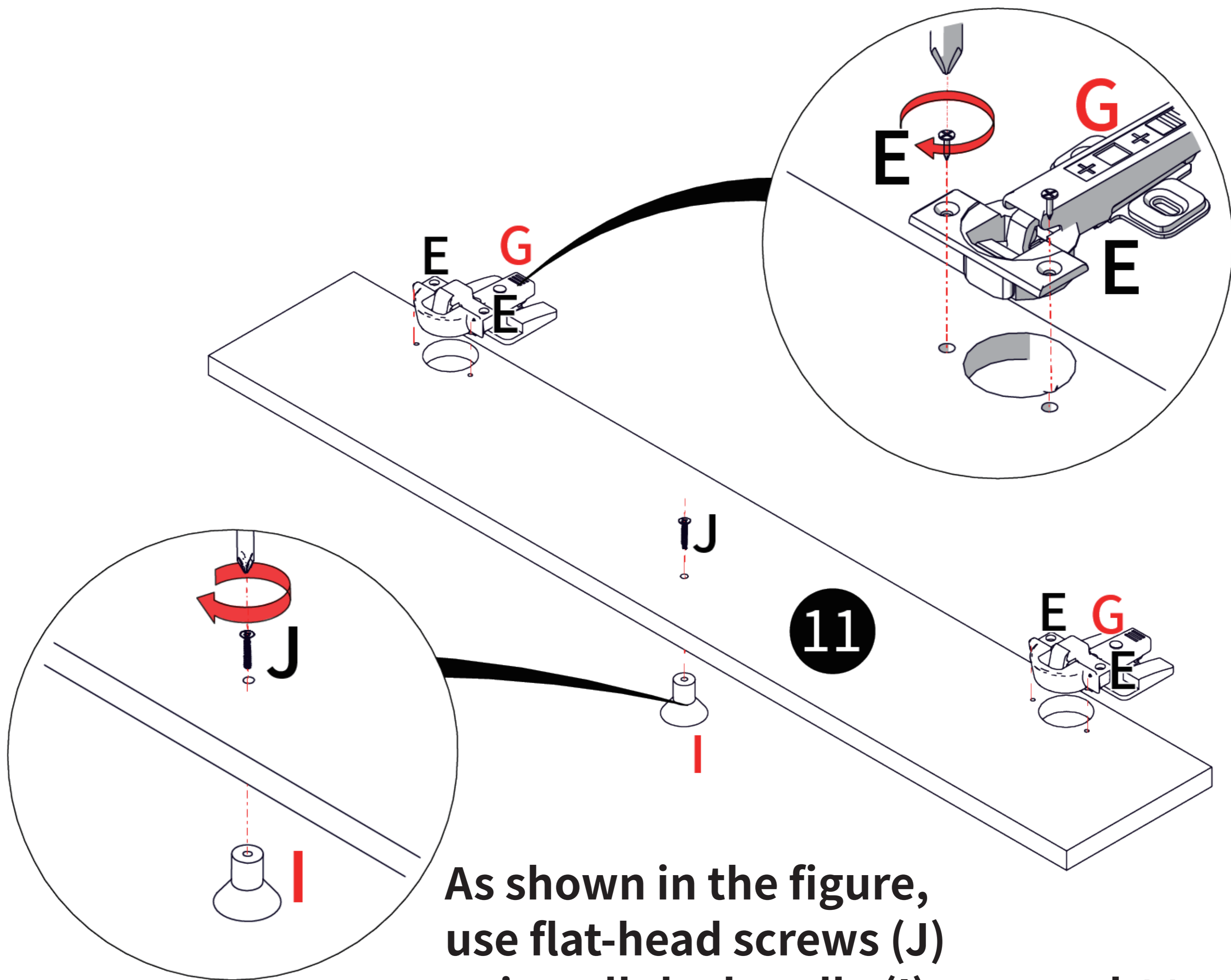
15

As shown in the figure, use short screws (E) to install the Power Adapter (R) onto panel 7.

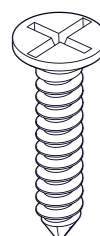
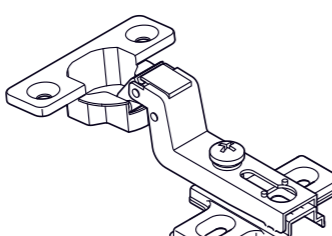
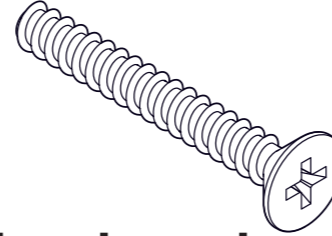



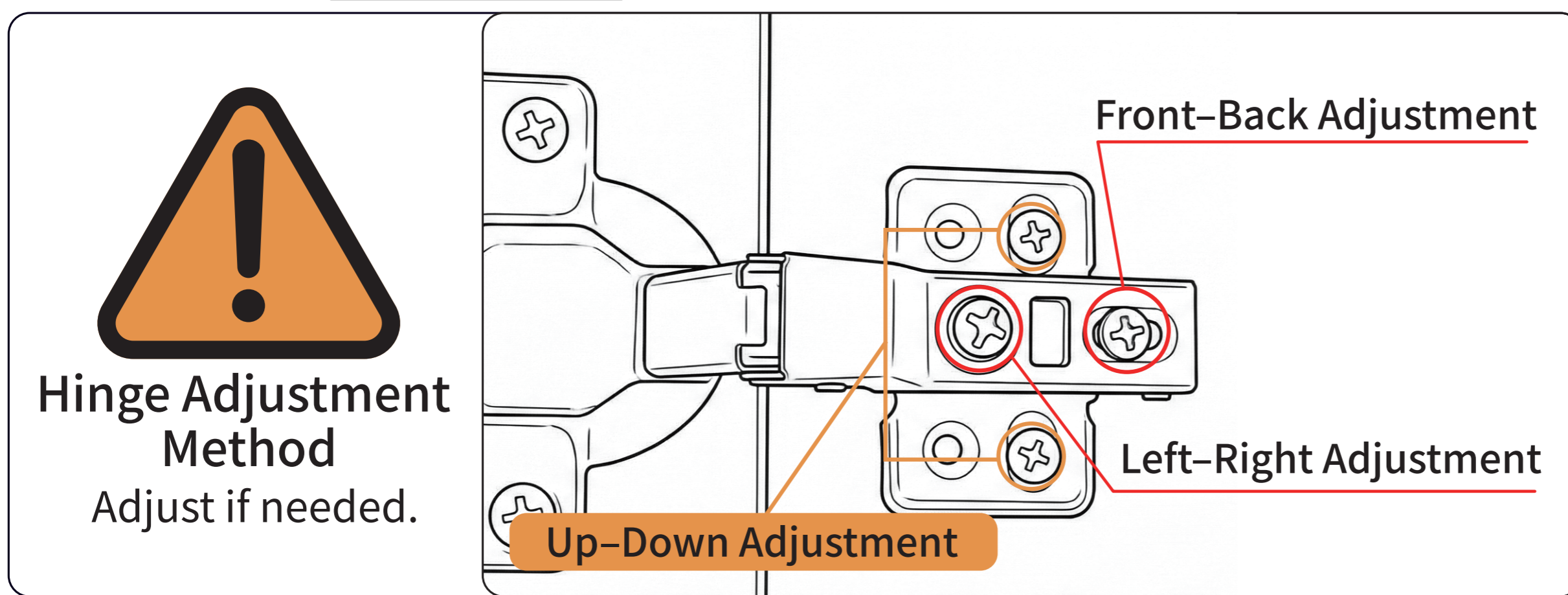
16

As shown in the figure, use short screws (E) to attach the hinges (G) to panel 11.

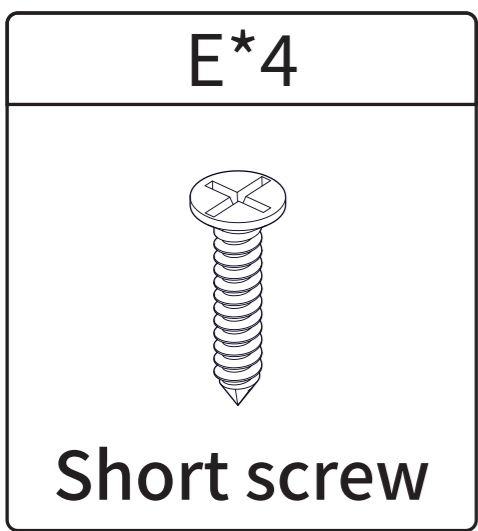
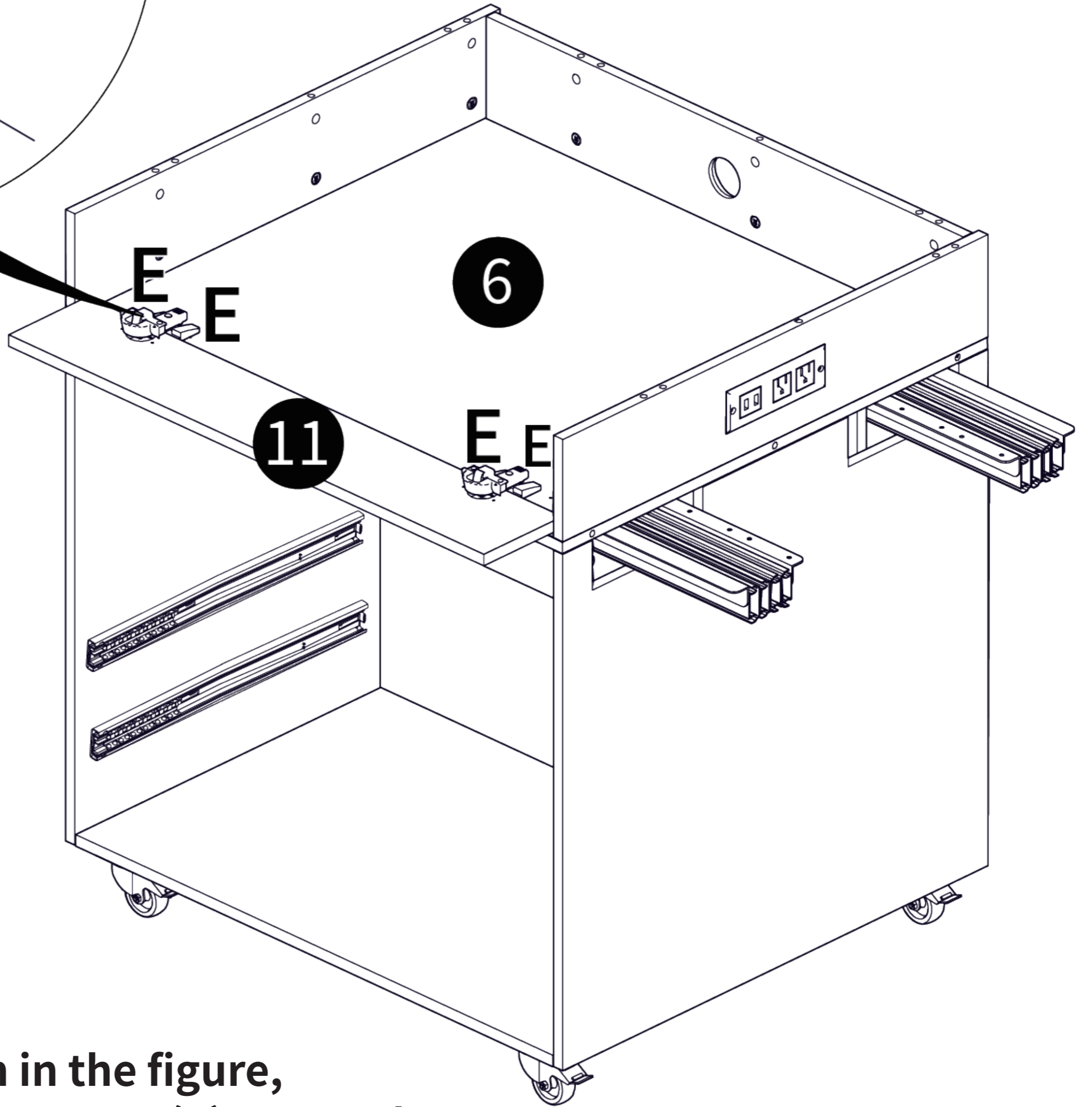
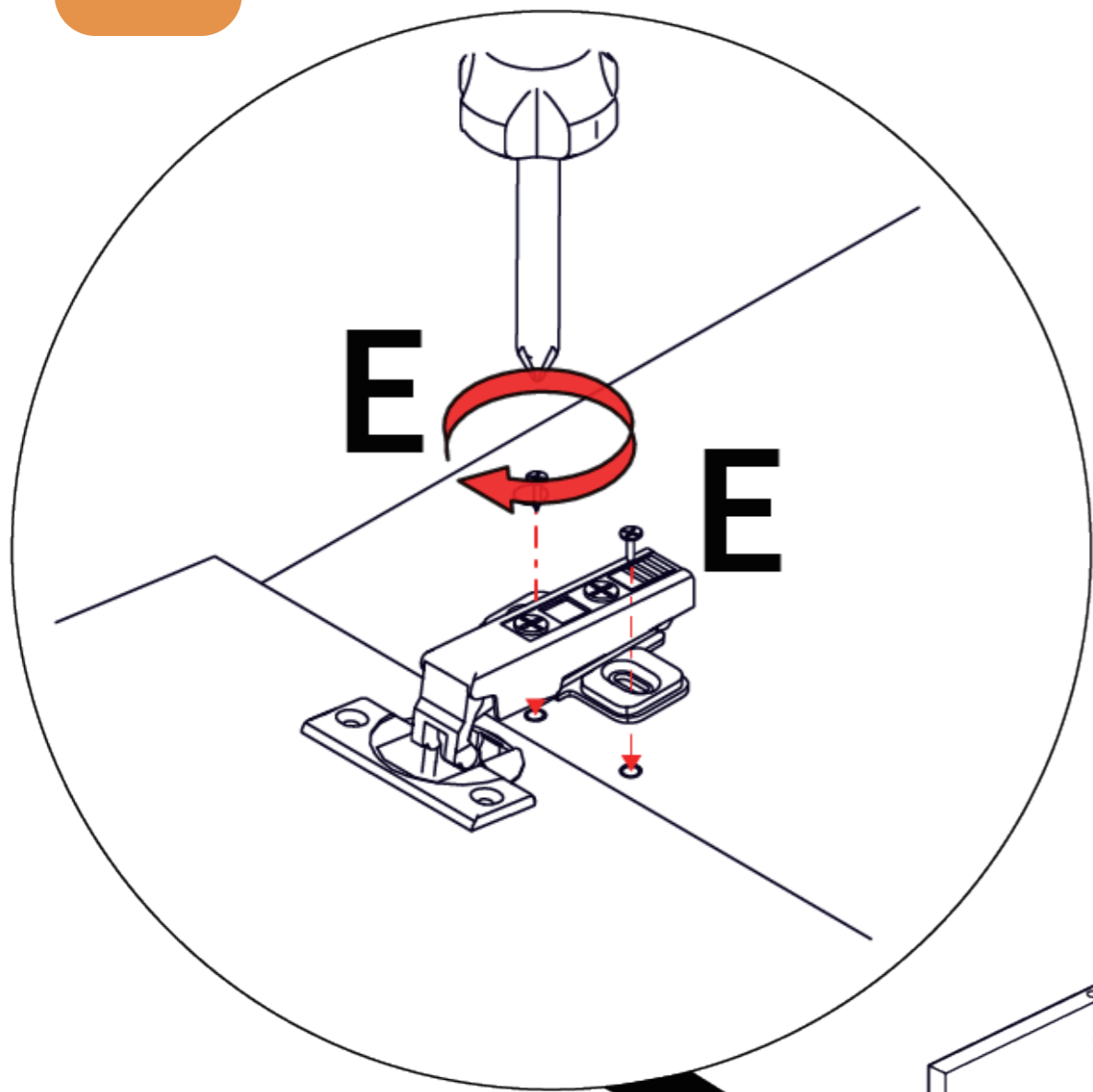


As shown in the figure, use flat-head screws (J) to install the handle (I) on panel 11.

E*4	G*2	J*1	I*1
			
Short screw	Hinge	Flat-head screw	Handle



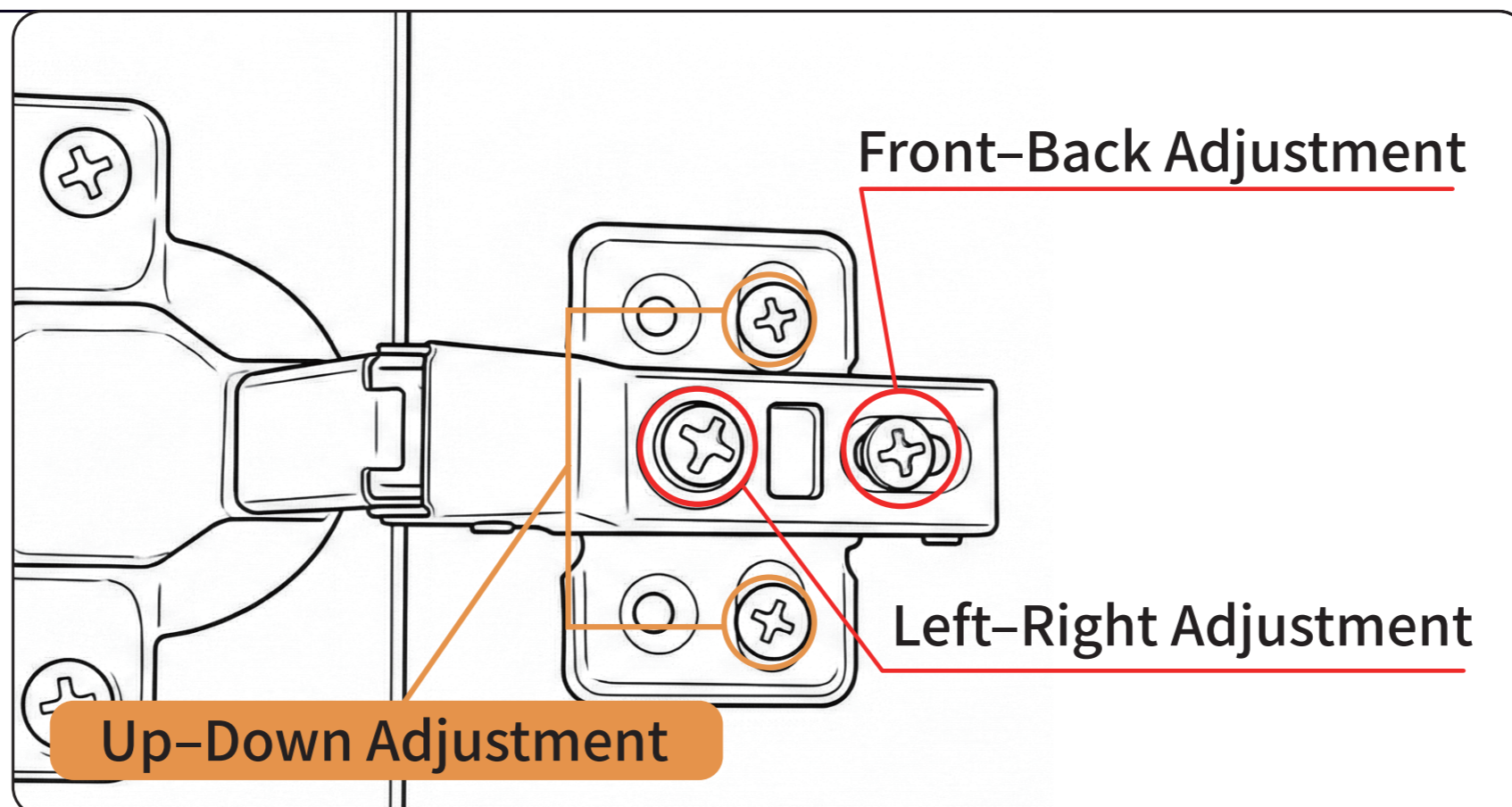
17



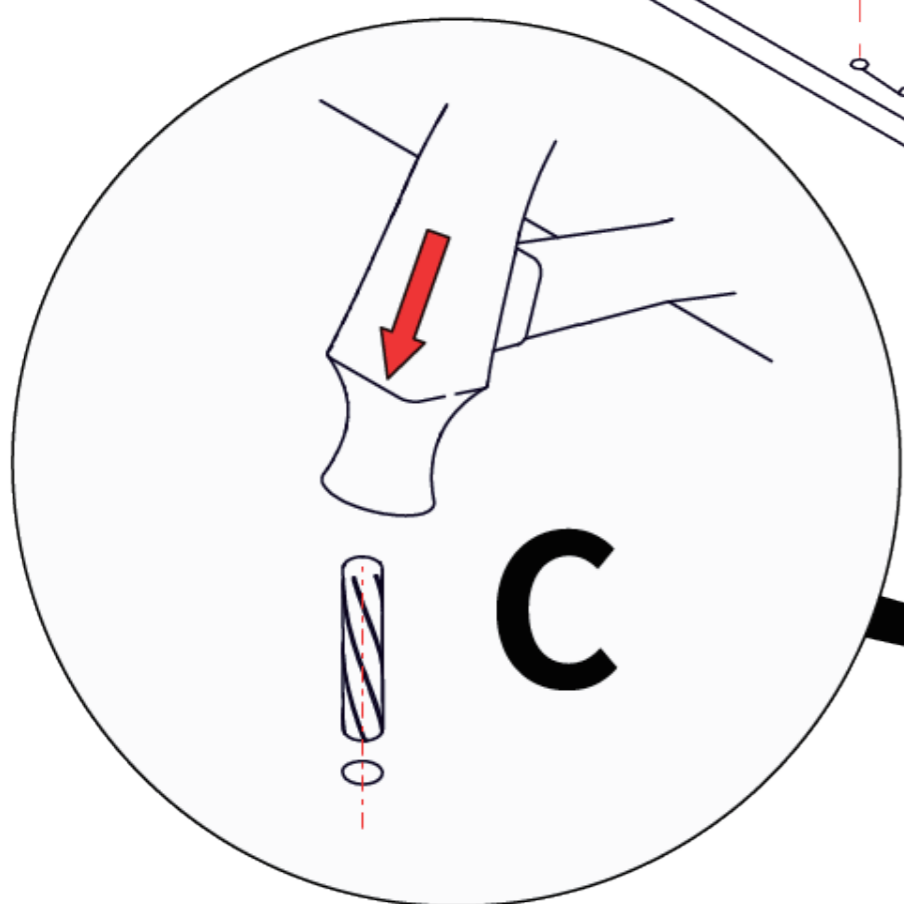
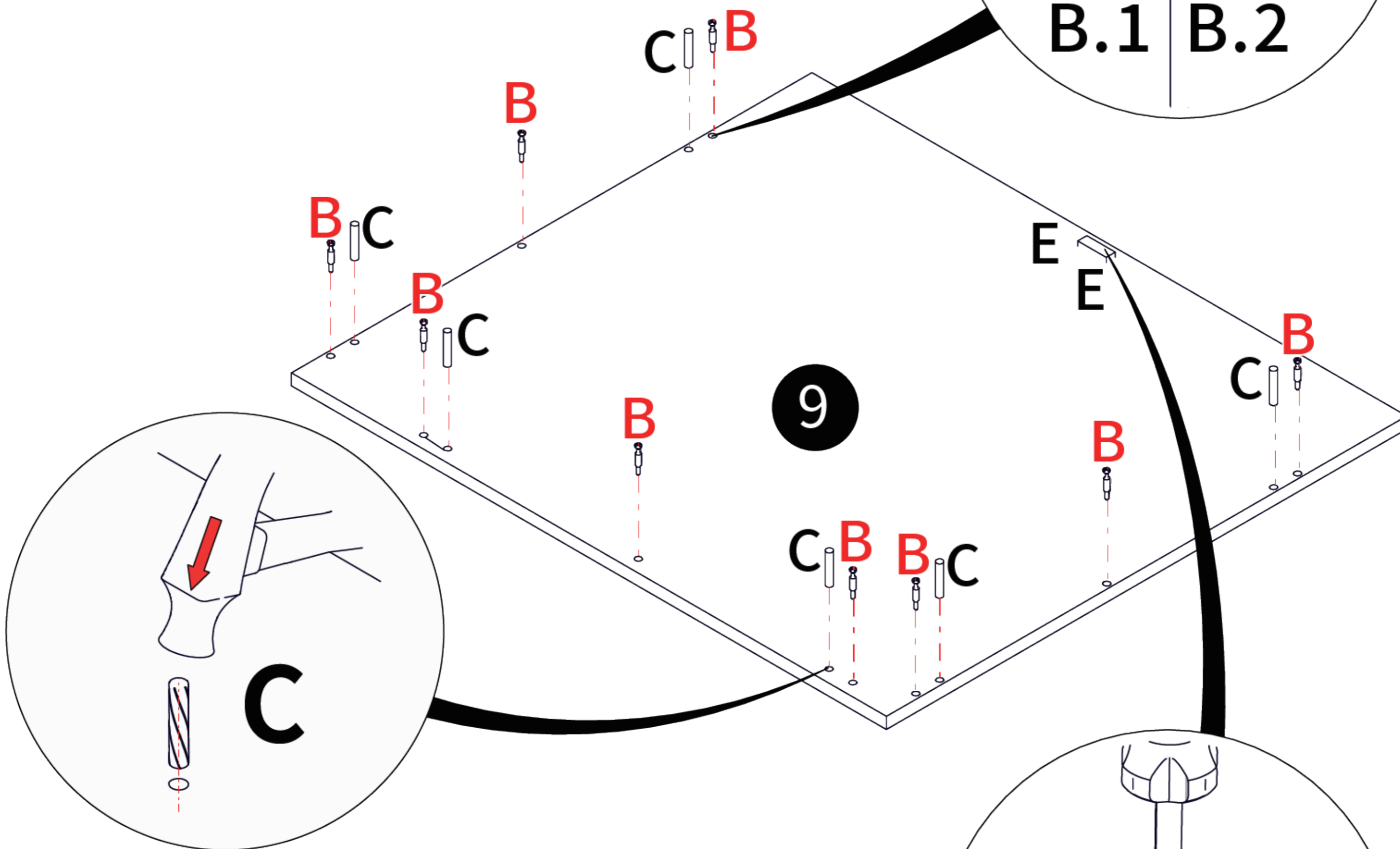
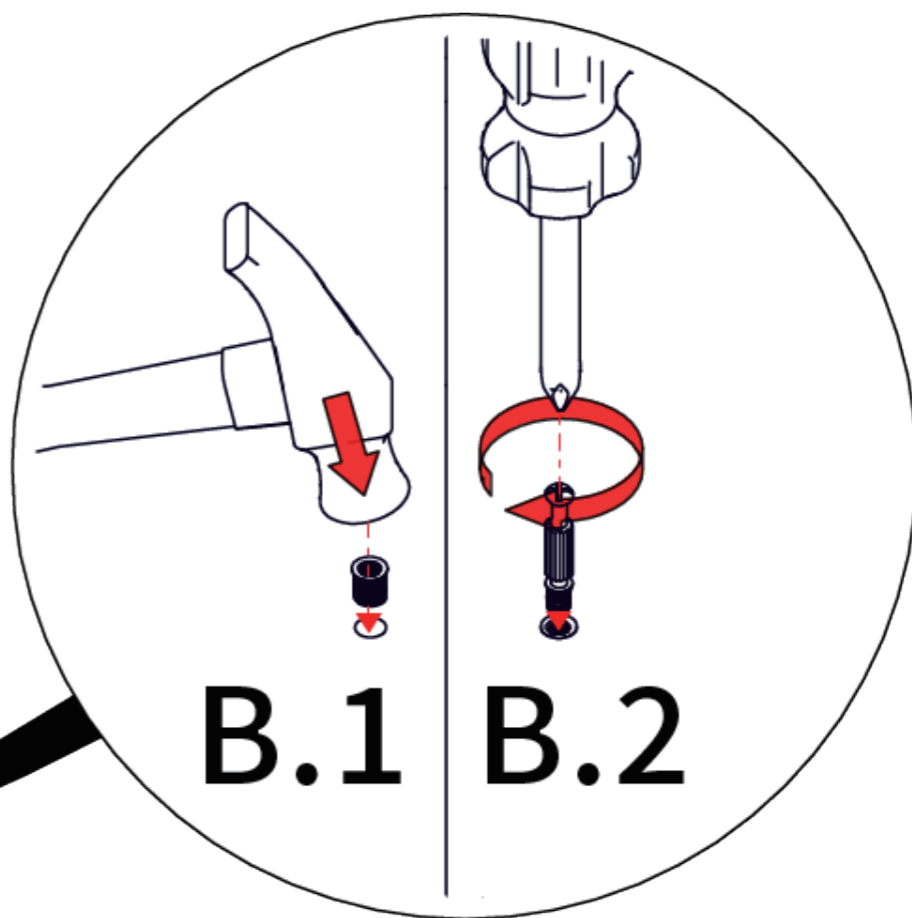
As shown in the figure, use short screws (E) to attach panel 11 to panel 6. (For hinge adjustment, see page 39)



Hinge Adjustment Method  
Adjust if needed.

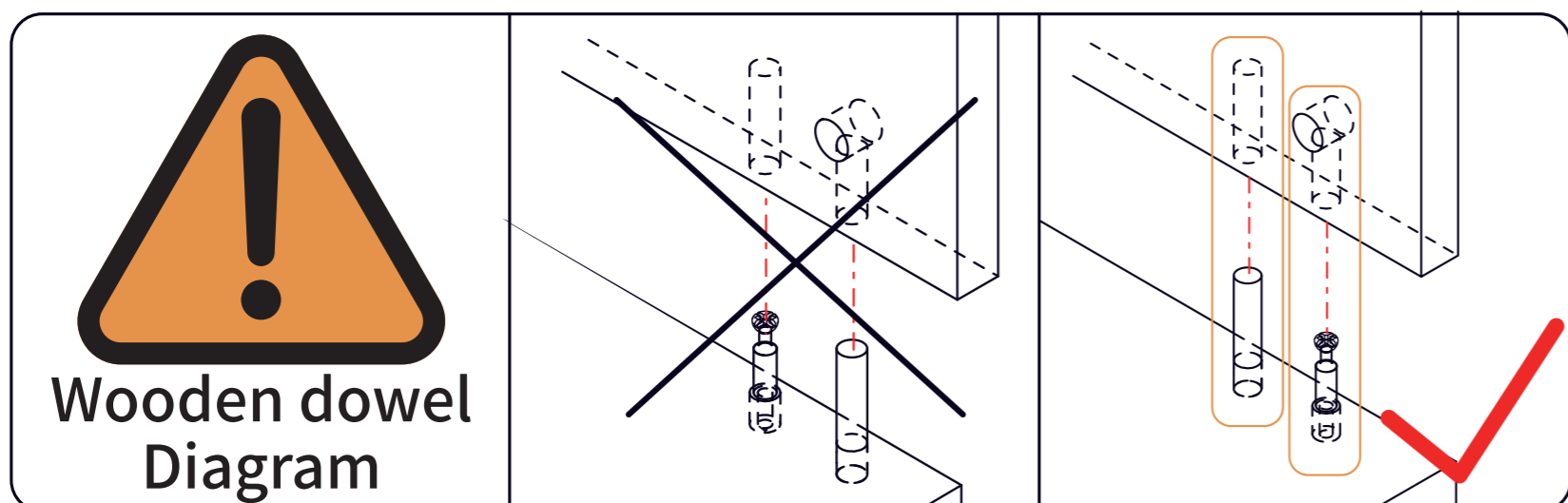
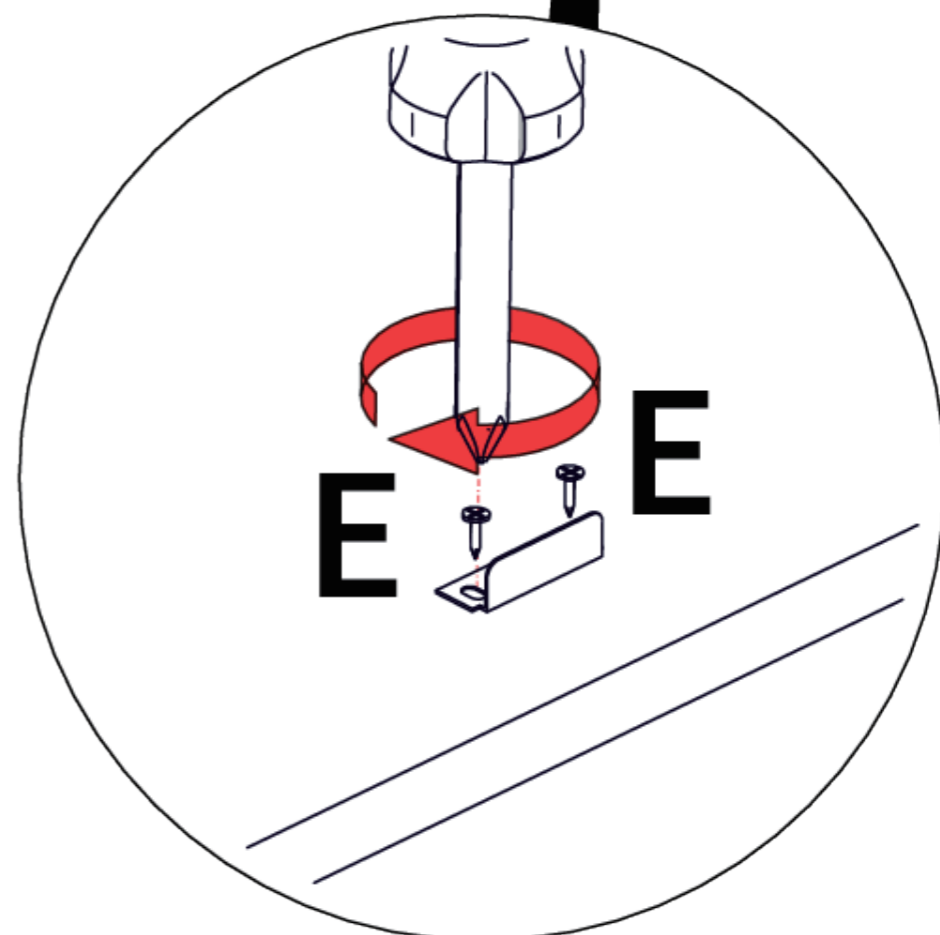


As shown in the figure, tap the black Cam Nuts (B.1) into panel 9, then use a screwdriver to screw the cam bolts (B.2) into the black Cam Nuts

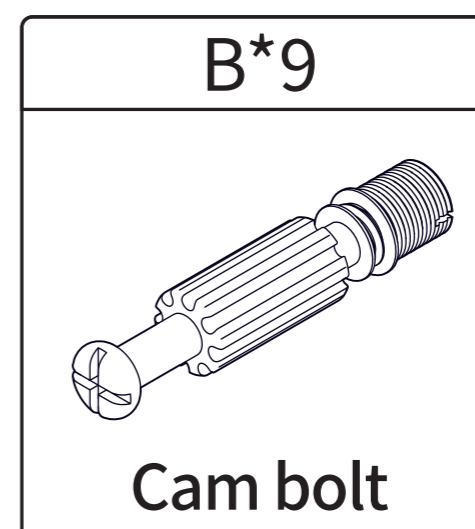


Insert the wooden dowels (C) into panel 9.

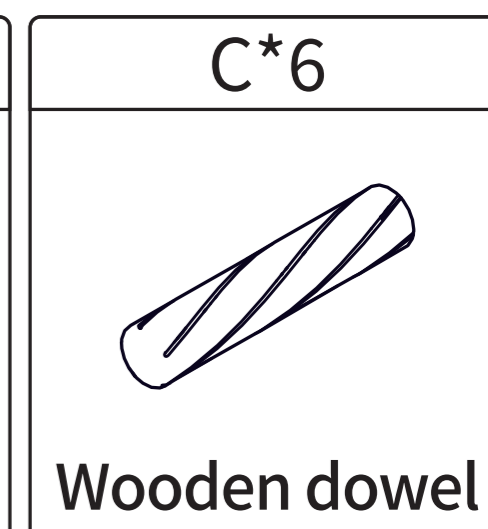
Finally, secure the Door stopper (D) with short screws (E).



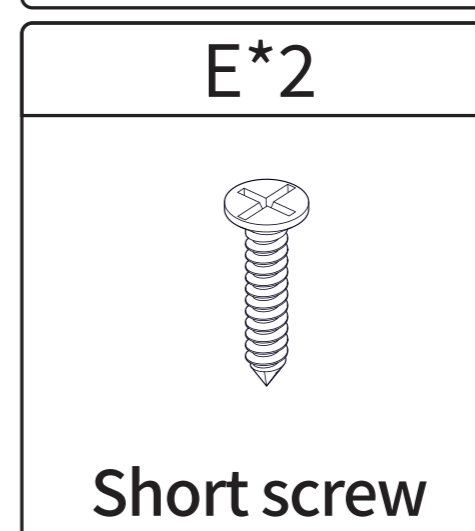
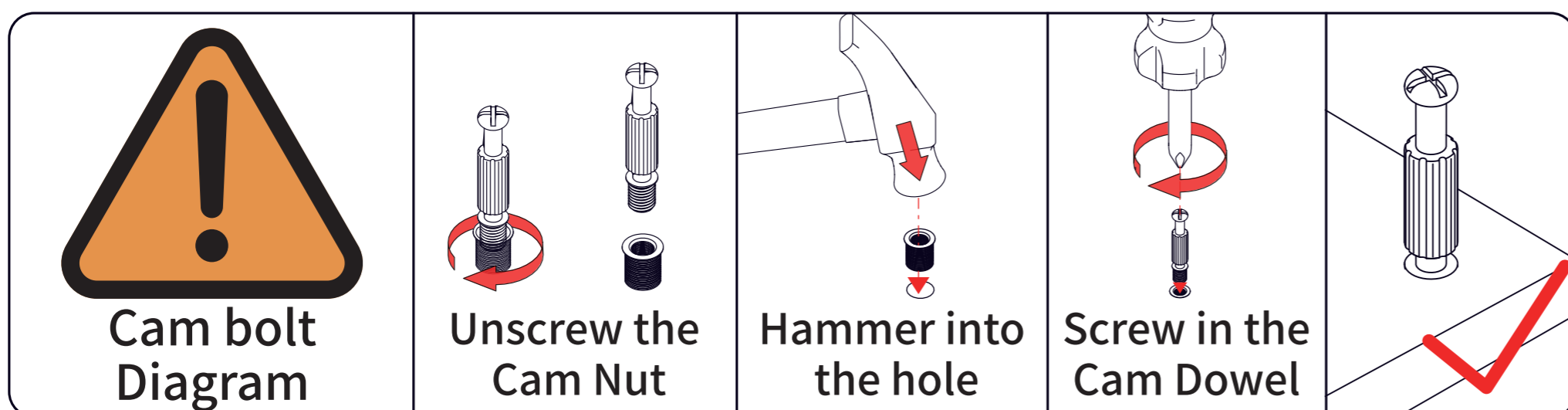
Wooden dowel Diagram



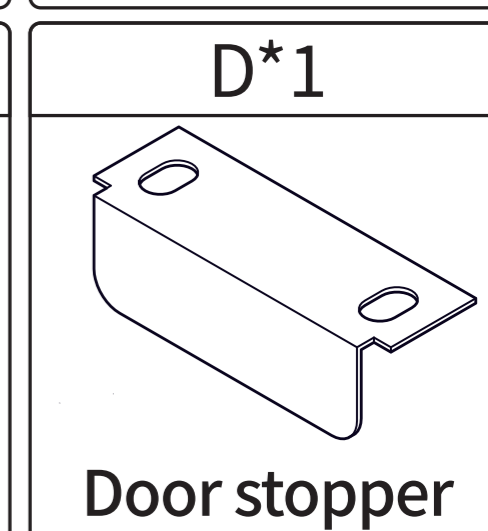
Cam bolt



Wooden dowel

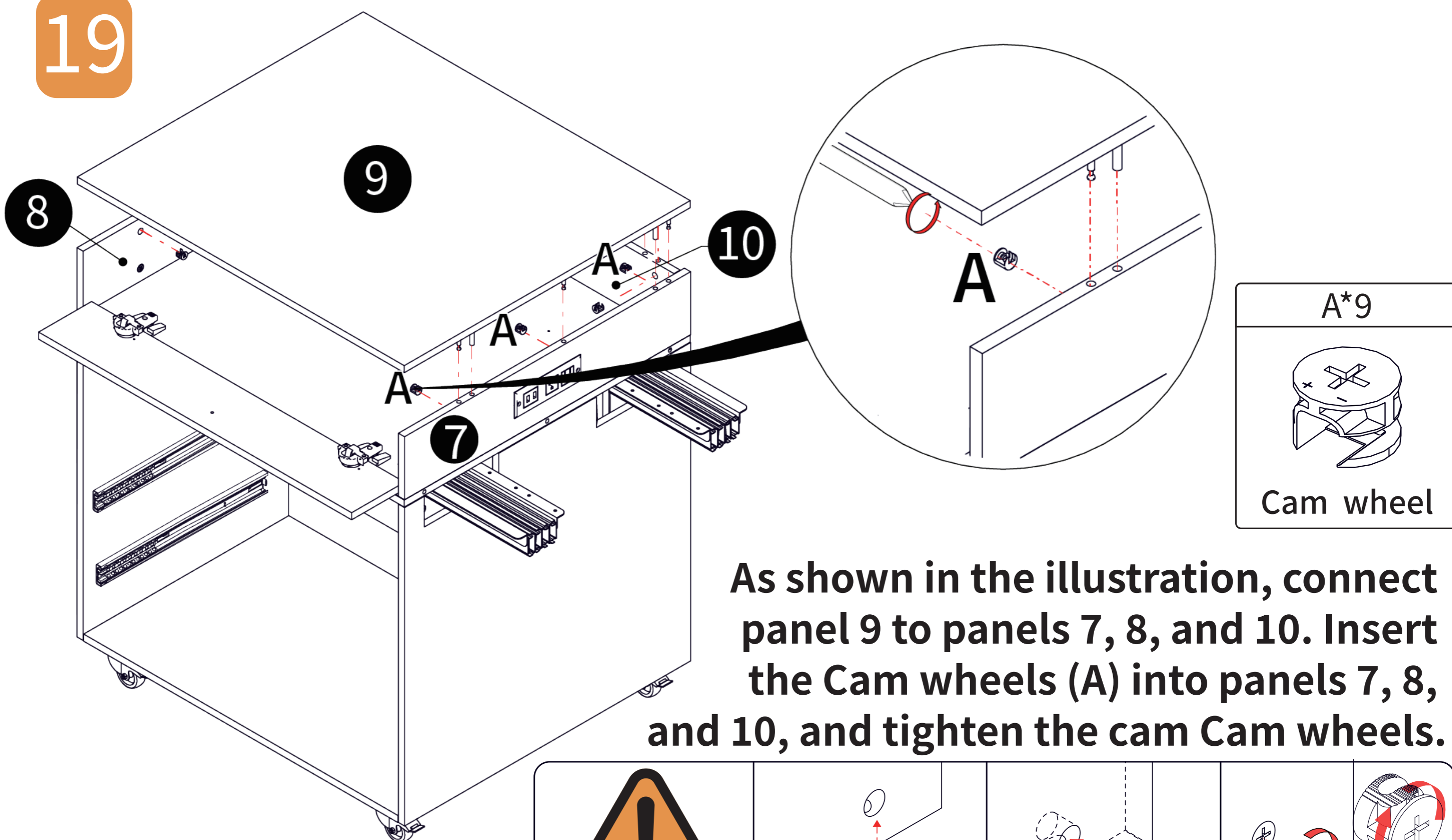


Short screw

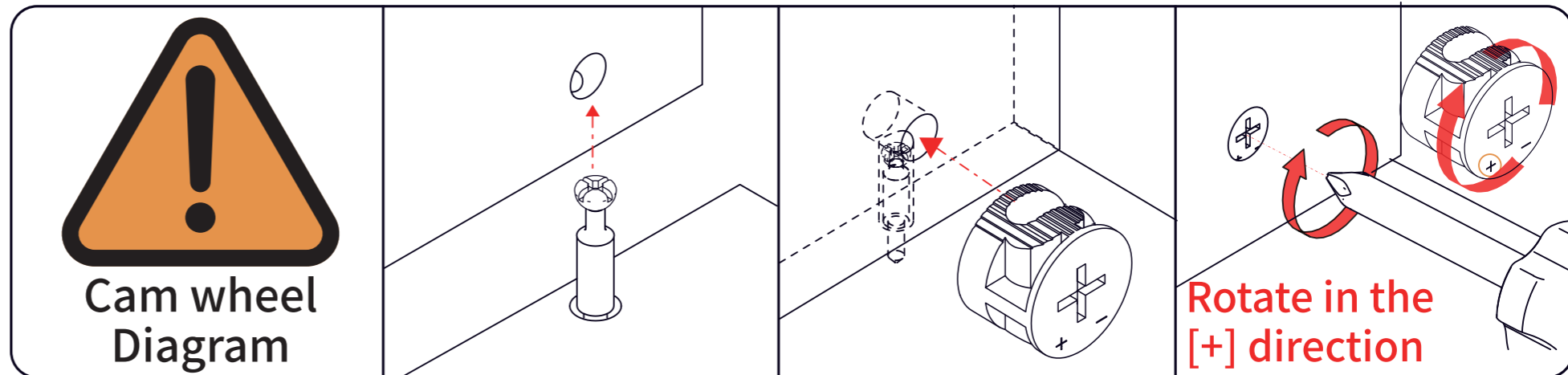


Door stopper

19

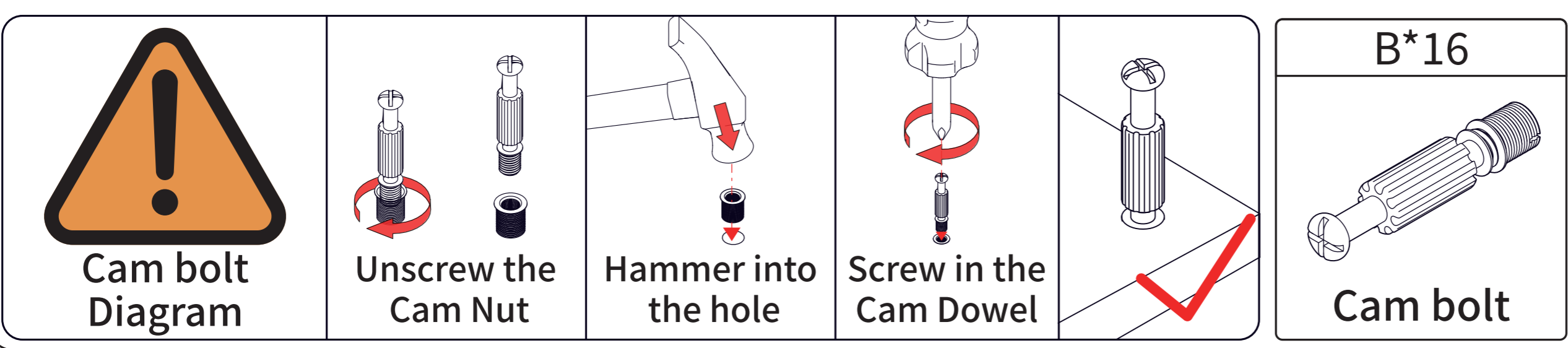
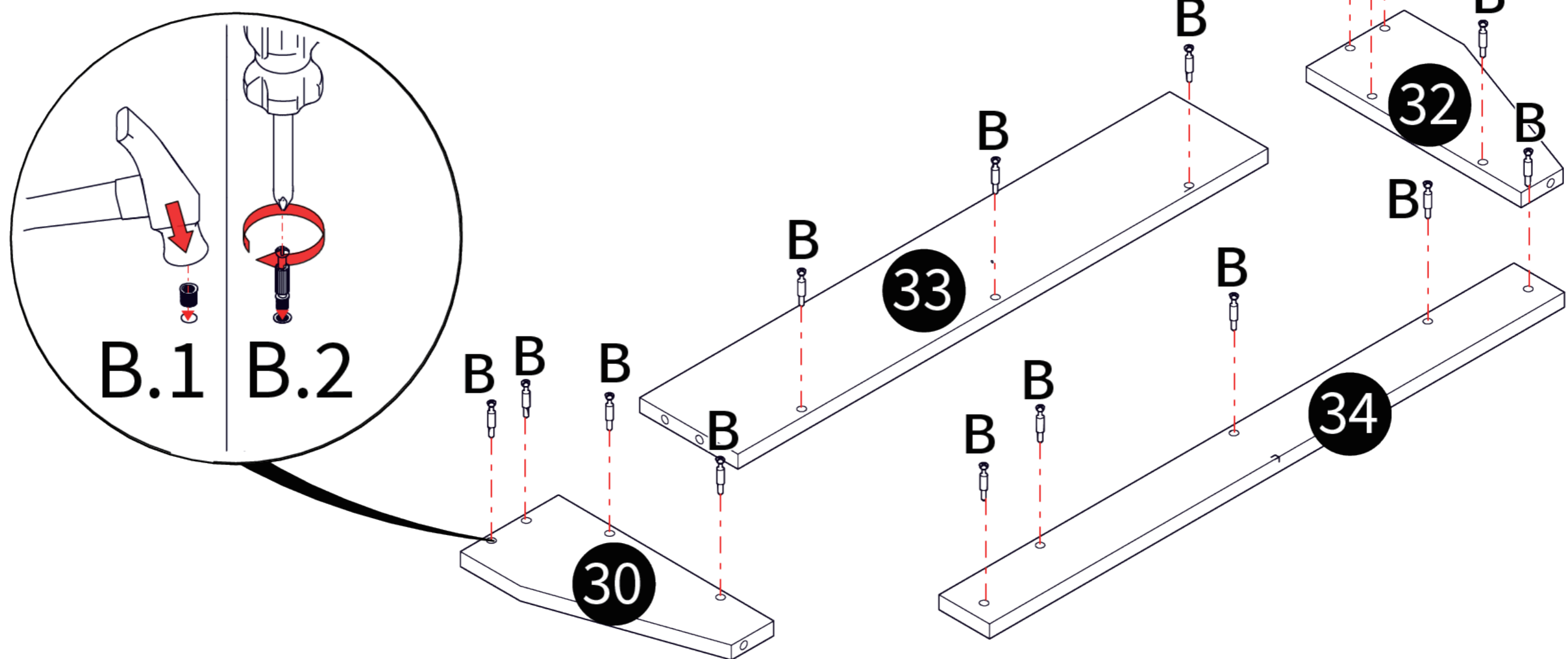


As shown in the illustration, connect panel 9 to panels 7, 8, and 10. Insert the Cam wheels (A) into panels 7, 8, and 10, and tighten the cam wheels.

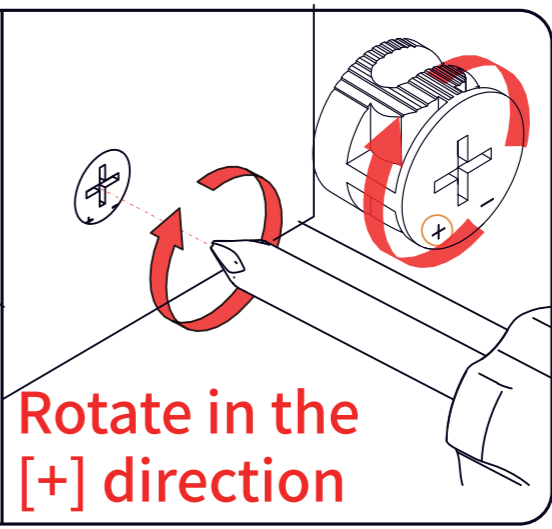
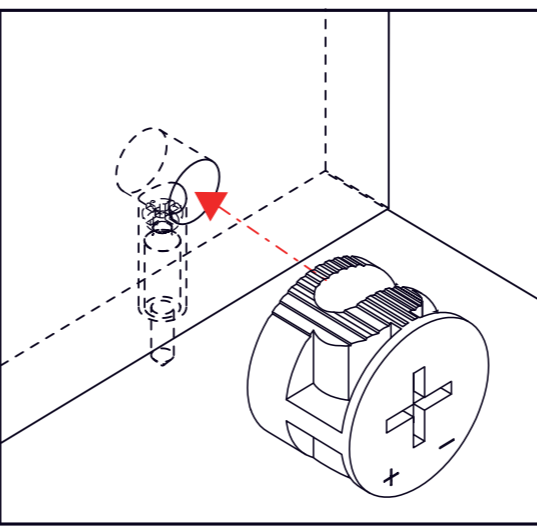
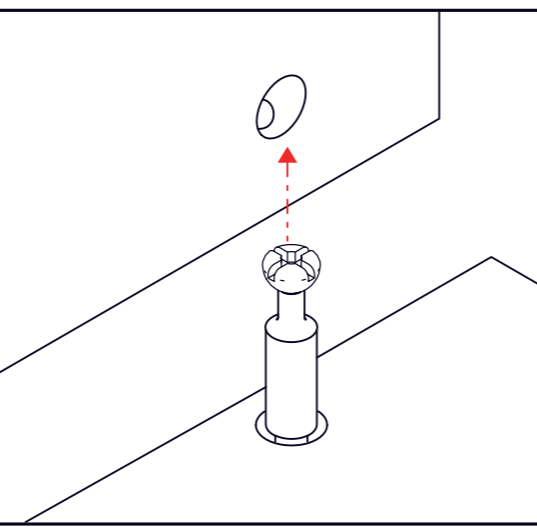
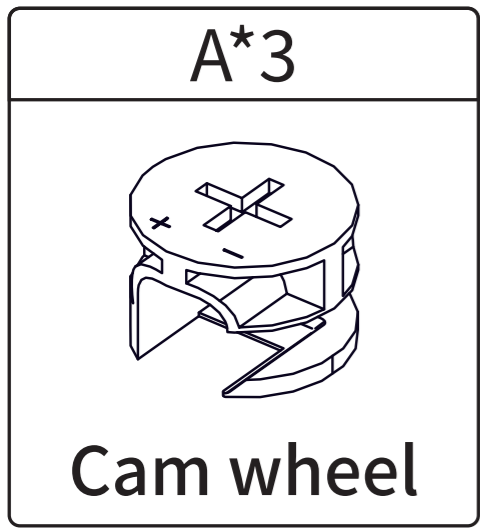
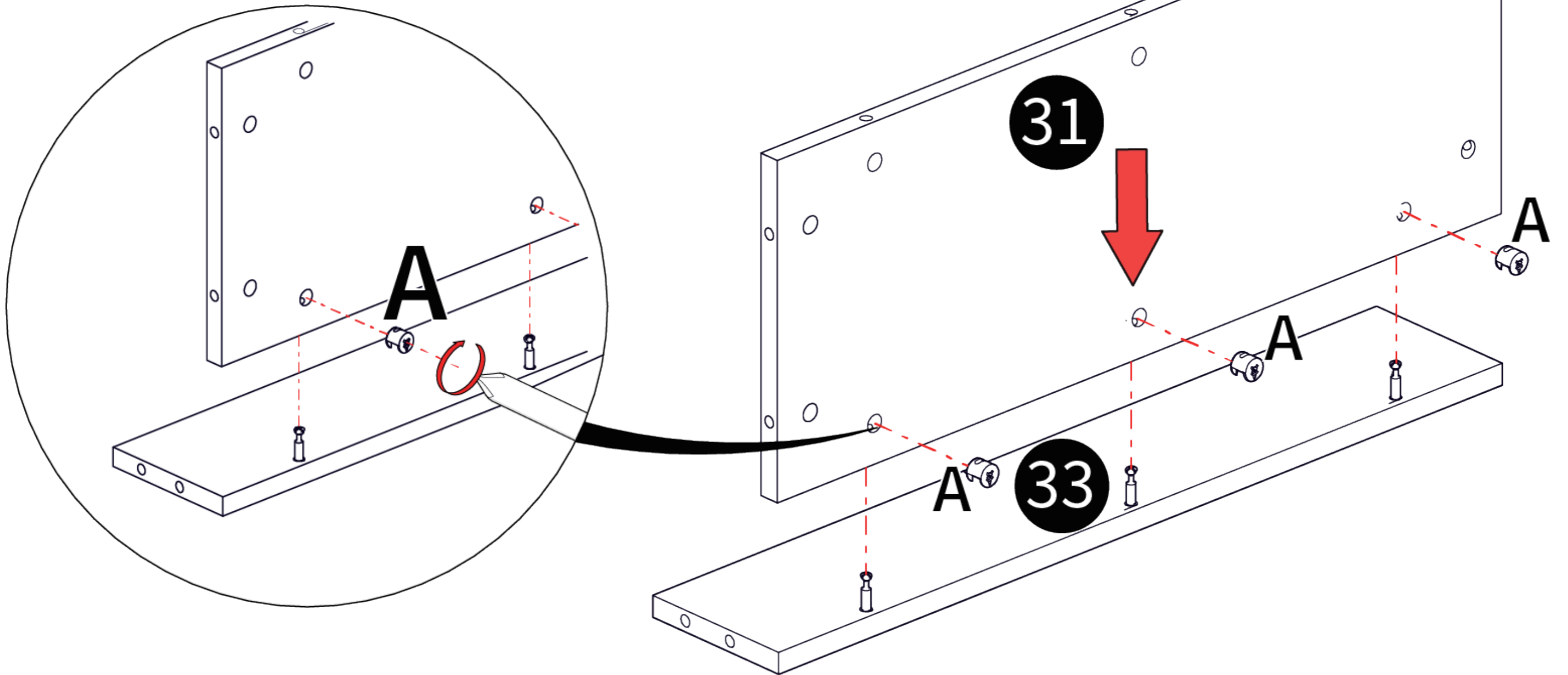


20

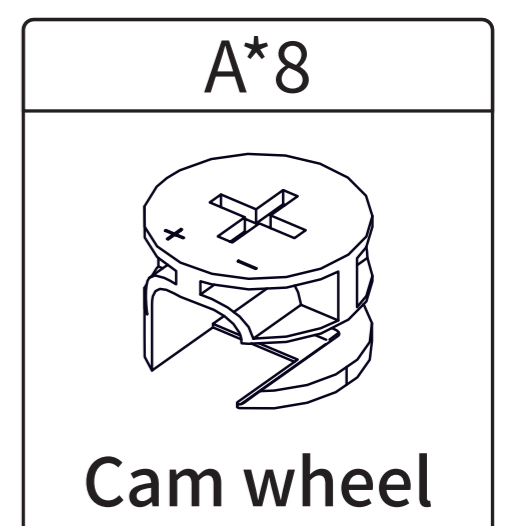
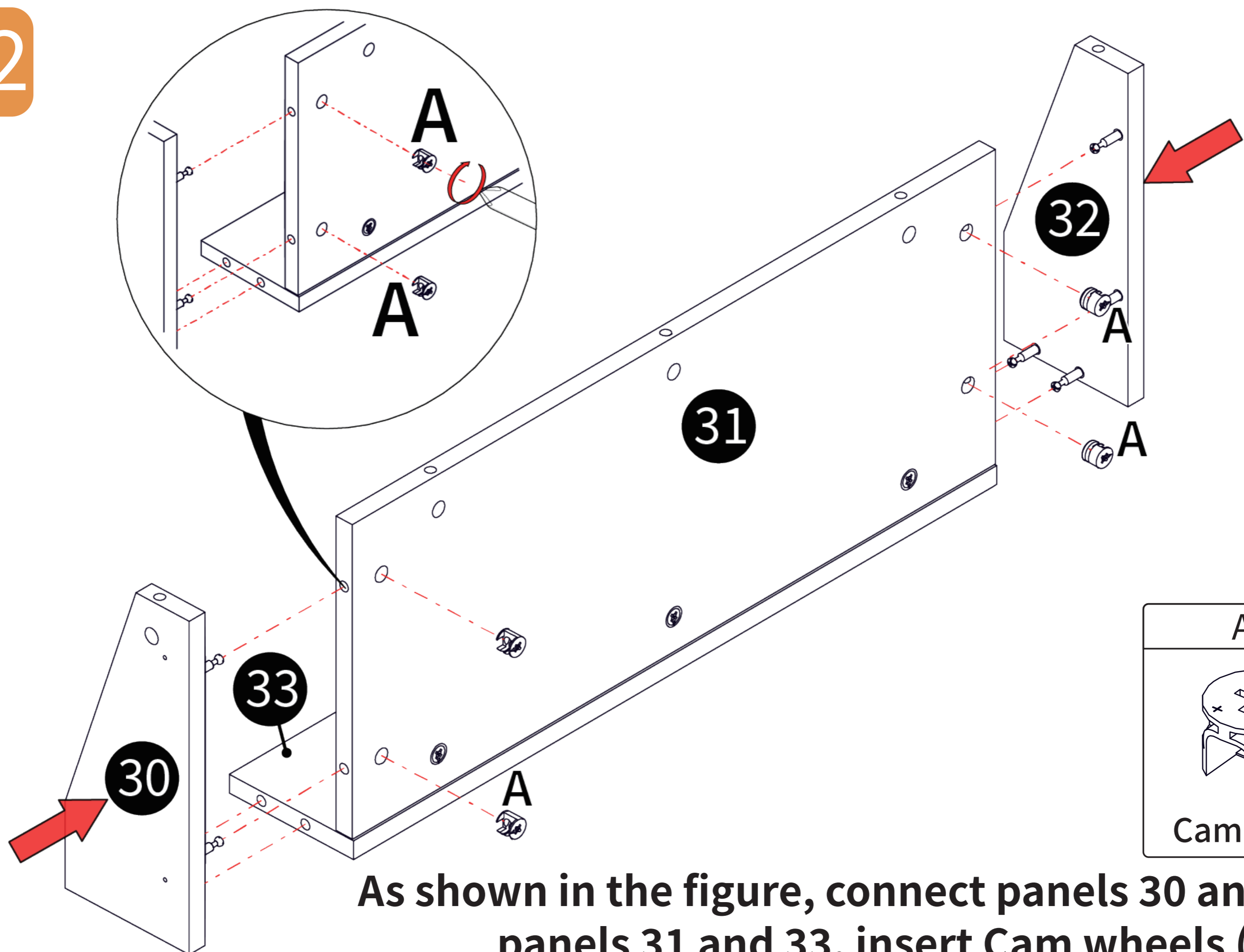
As shown in the figure, tap the black Cam Nuts (B.1) into panels 30, 32, 33, and 34, then use a screwdriver to screw the cam bolts (B.2) into the black Cam Nuts.



**21** As shown in the figure, connect panel 31 to panel 33, insert the Cam wheels (A) into panel 31, and tighten them.



**22**



As shown in the figure, connect panels 30 and 32 to panels 31 and 33, insert Cam wheels (A) into panels 31 and 33, and tighten them.



25

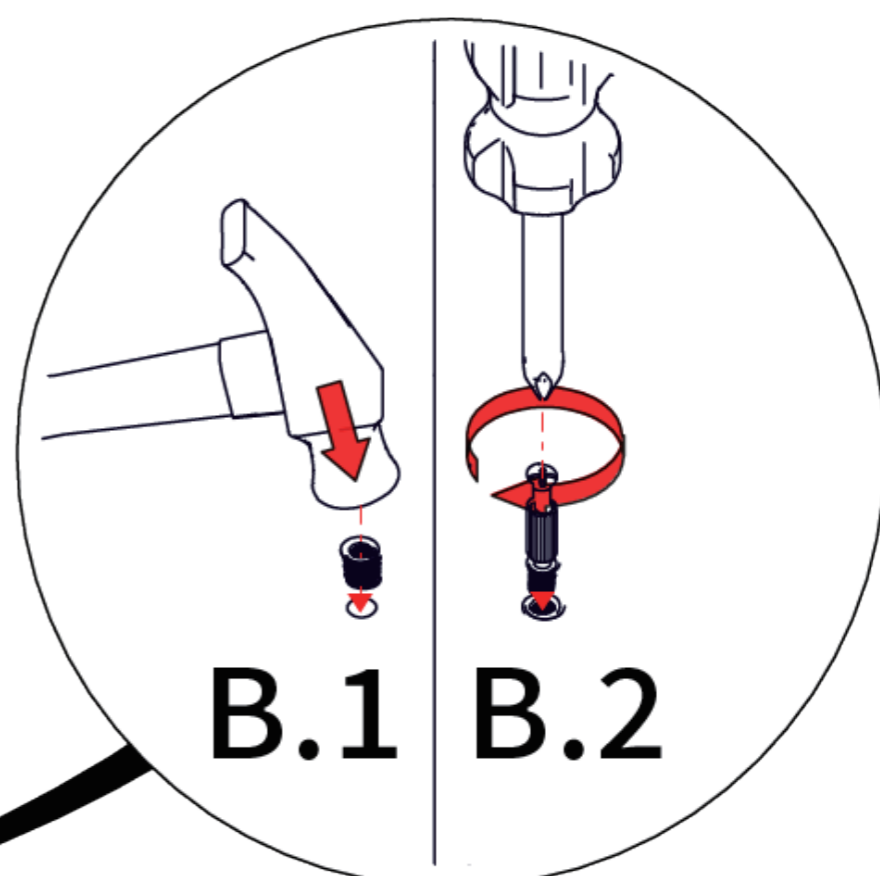
As shown in the figure, tap the black Cam Nuts (B.1) into panels 35, 37, and 38, then use a screwdriver to screw the cam bolts (B.2) into the black Cam Nuts.

B B

35

B

38



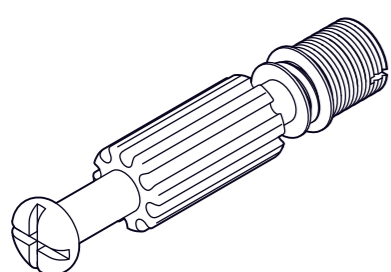
B.1

B.2

B B

37

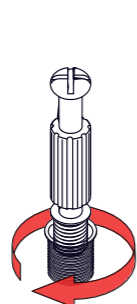
B\*5



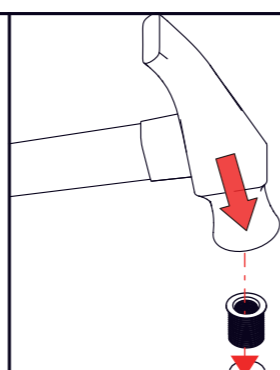
Cam bolt



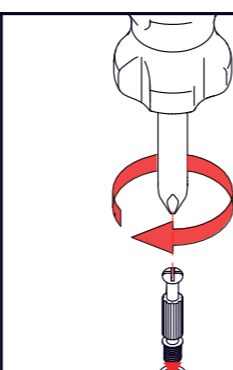
Cam bolt Diagram



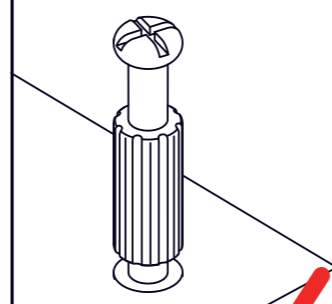
Unscrew the Cam Nut



Hammer into the hole

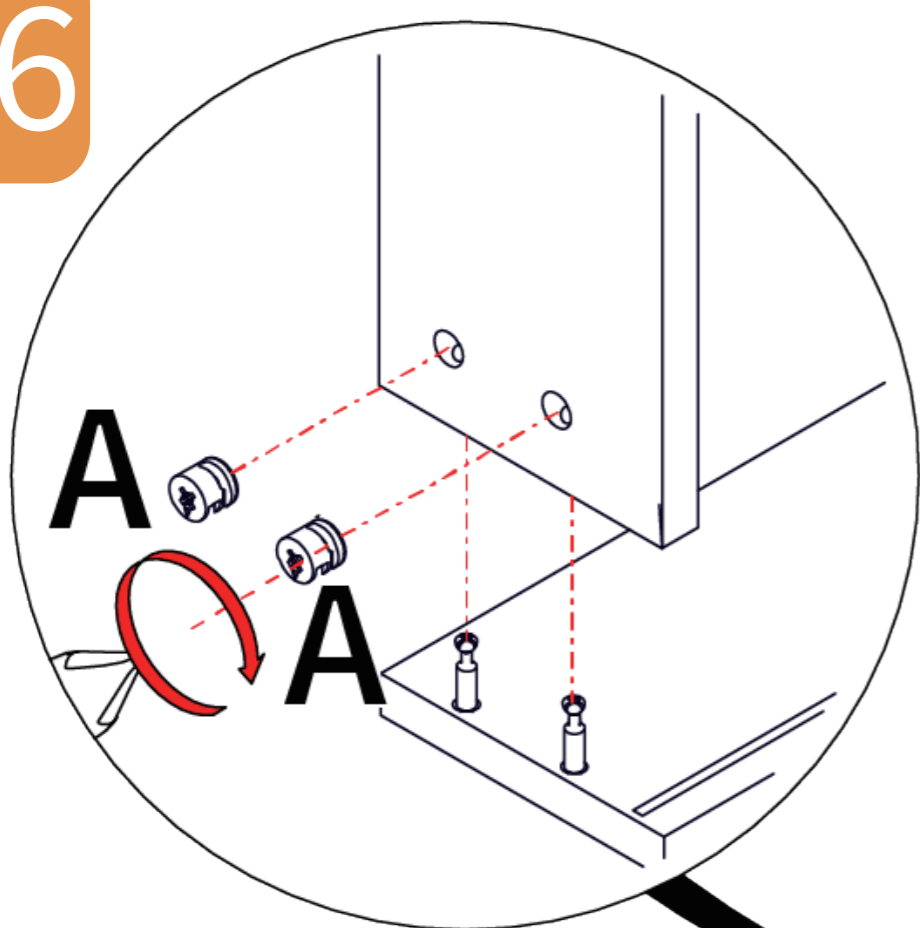


Screw in the Cam Dowel



26

As shown in the figure, connect panel 38 to panel 35, insert Cam wheels (A) into panel 38, and tighten them.



A

A

38



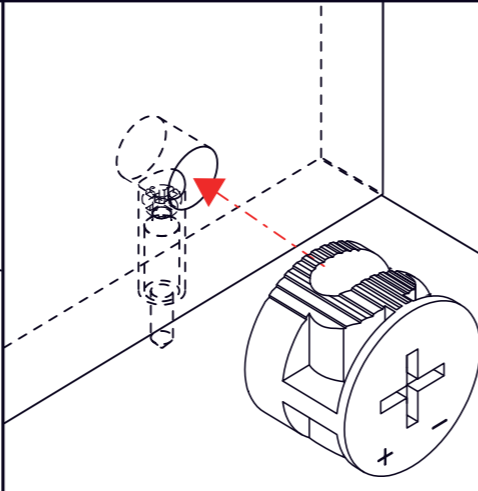
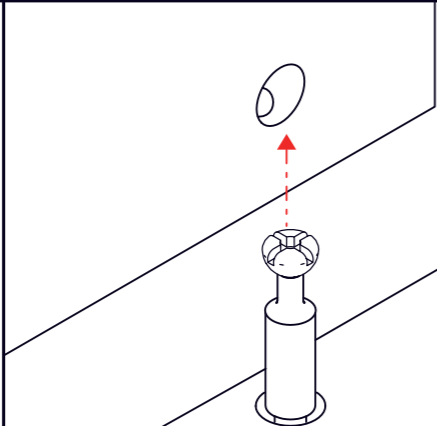
35

A

A

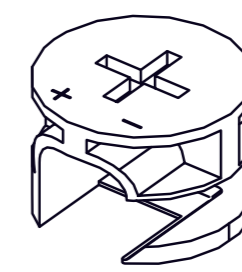


Cam wheel Diagram



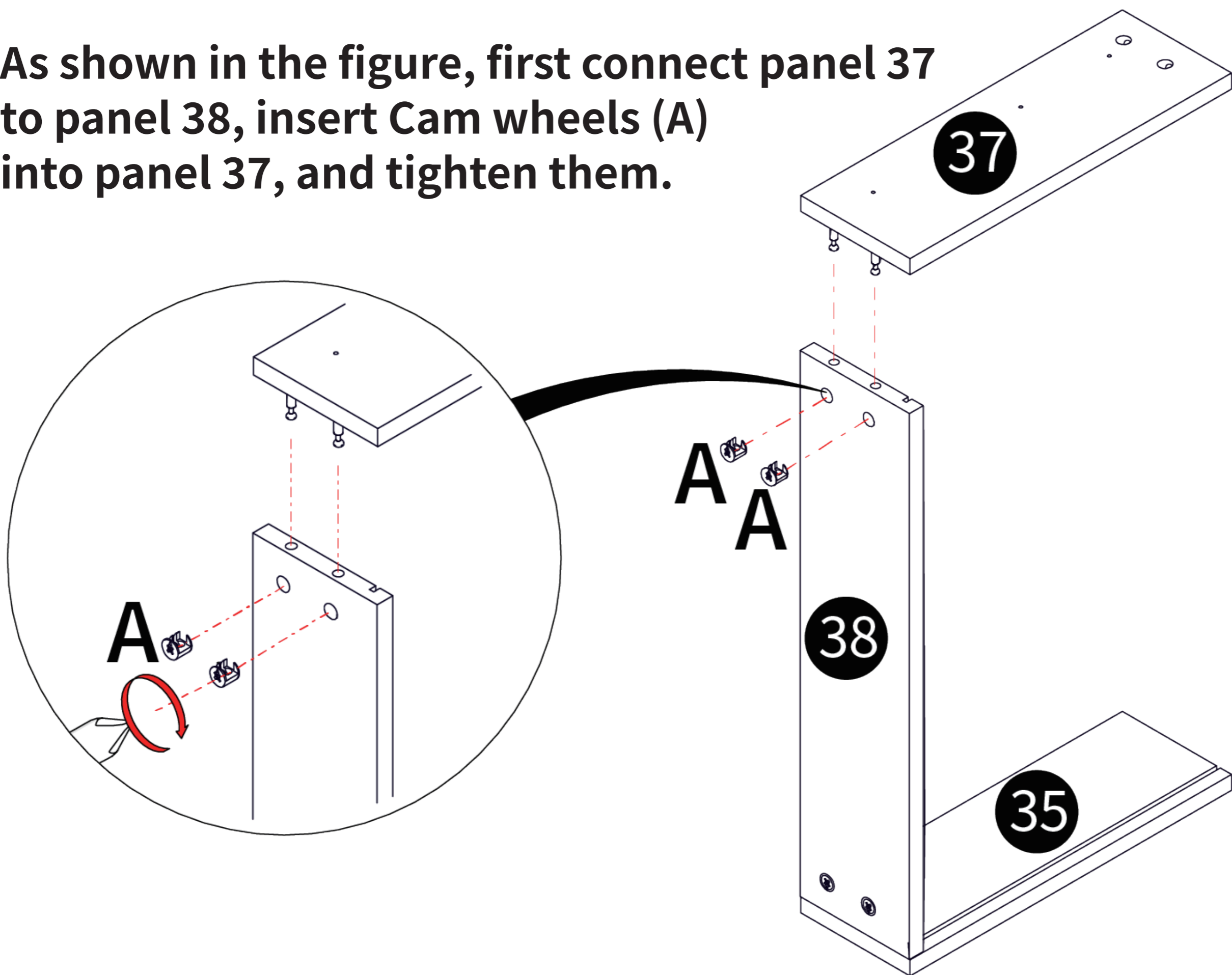
Rotate in the [+] direction

A\*2

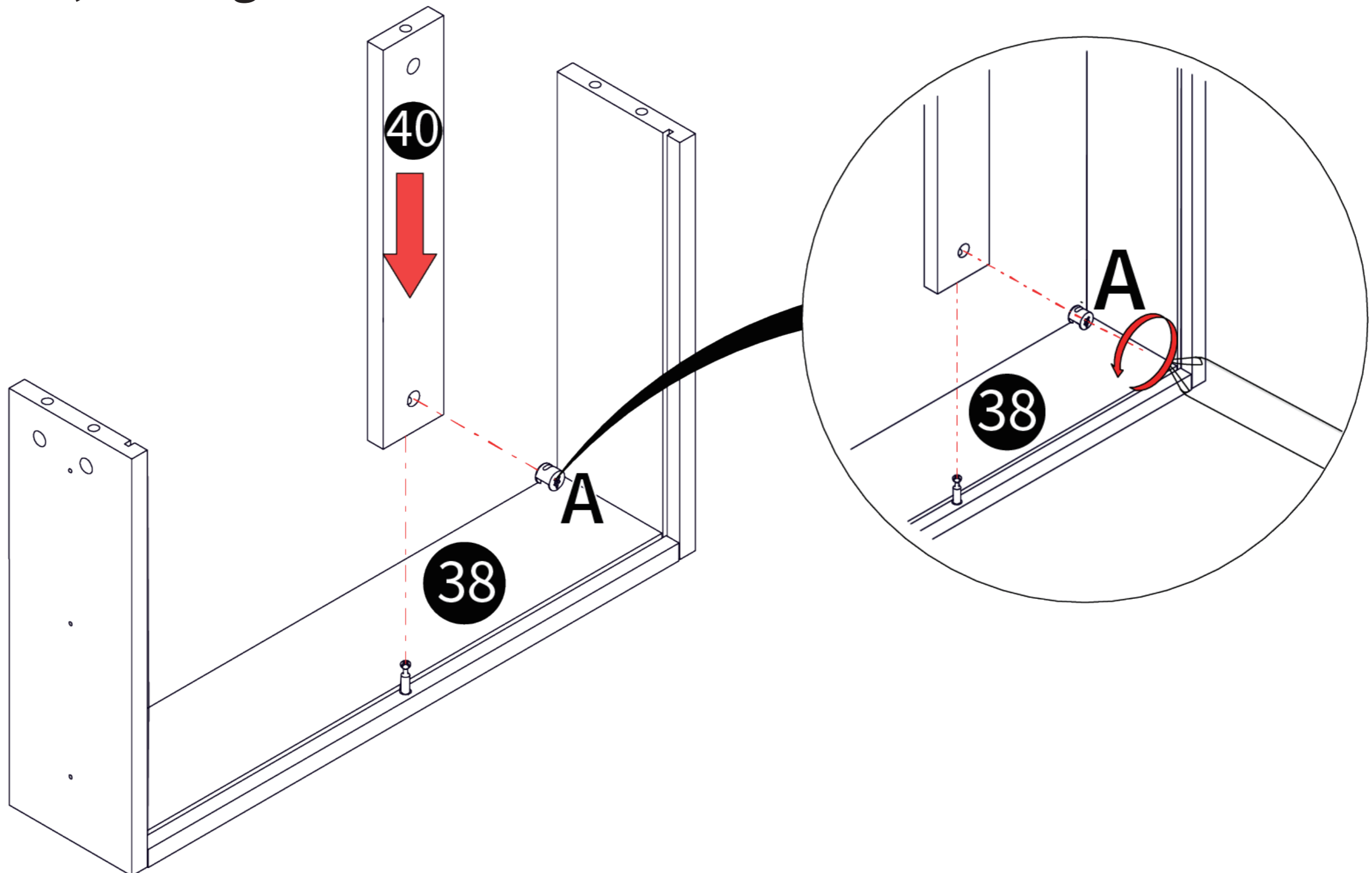


Cam wheel

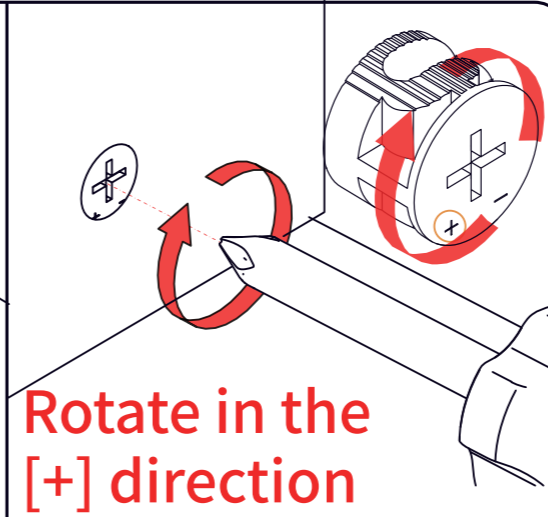
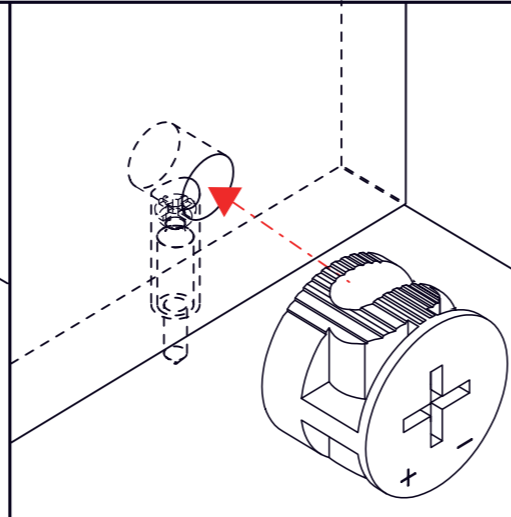
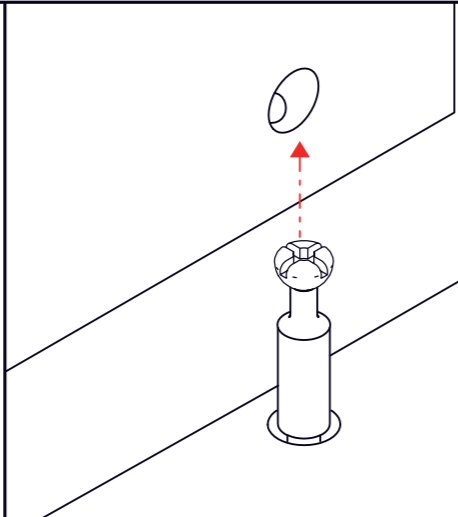
**27** As shown in the figure, first connect panel 37 to panel 38, insert Cam wheels (A) into panel 37, and tighten them.



Then connect panel 40 to panel 38, insert Cam wheels (A) into panel 40, and tighten them.

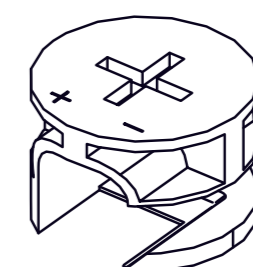


Cam wheel  
Diagram



Rotate in the  
[+] direction

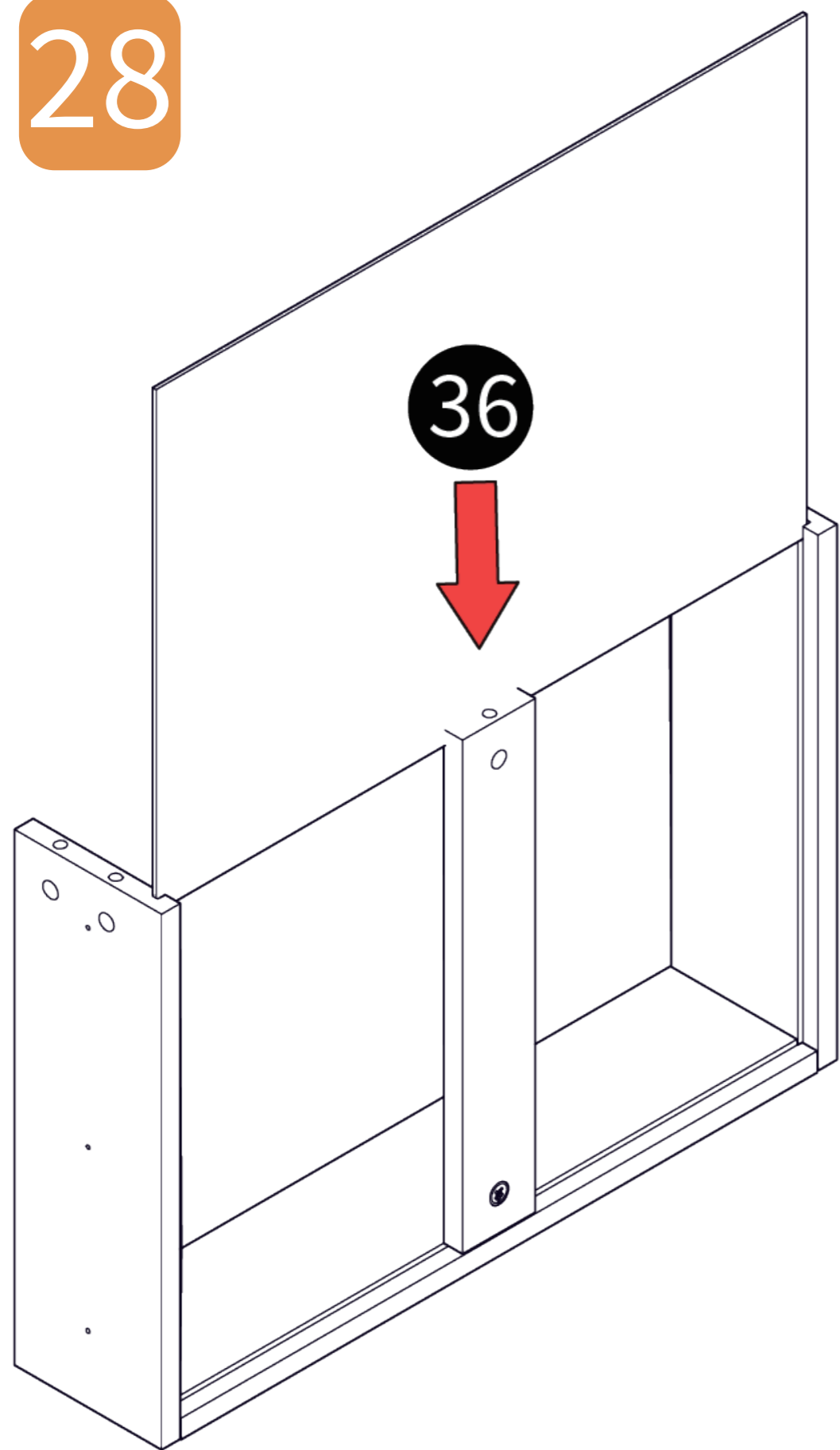
A\*3



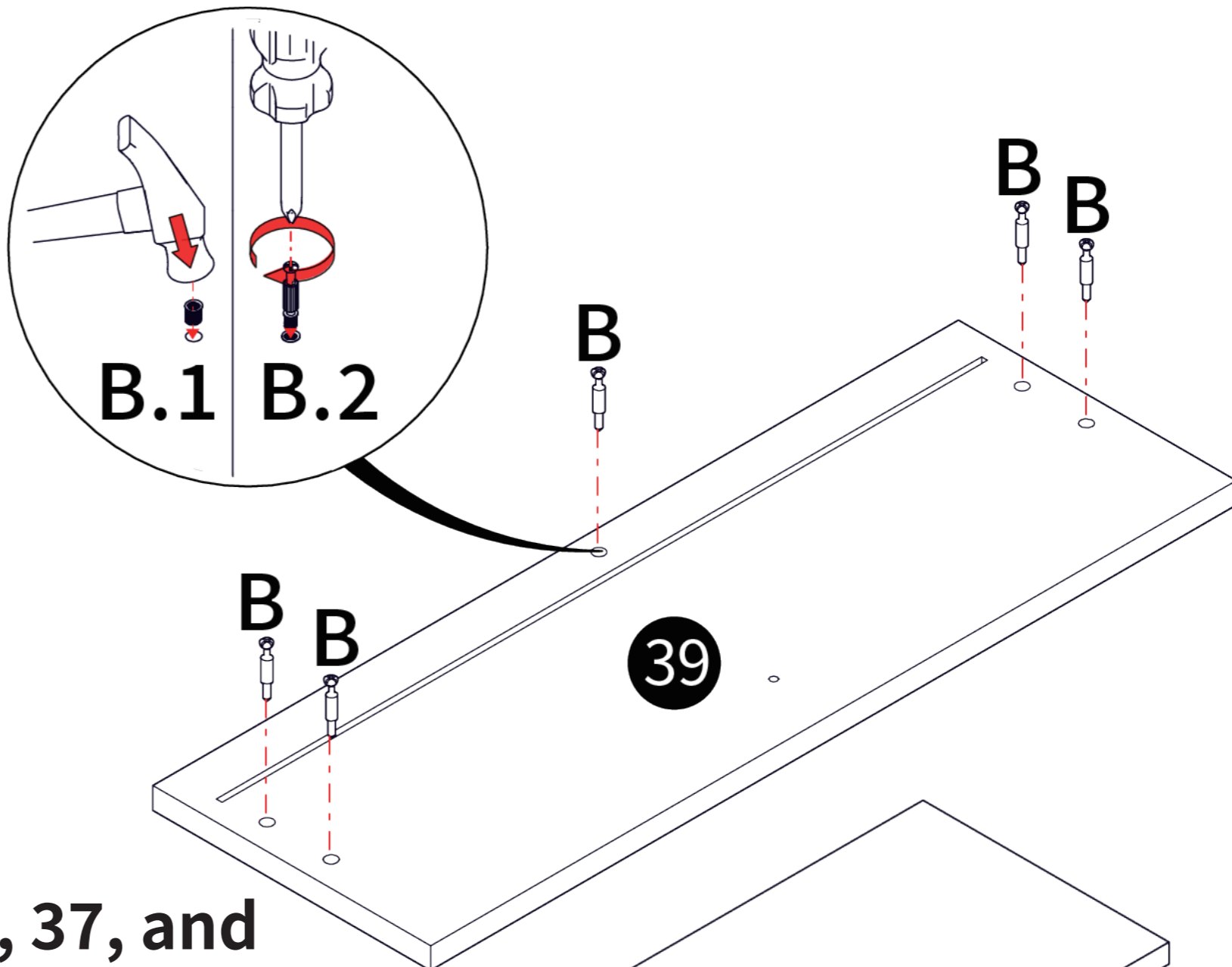
Cam wheel

28

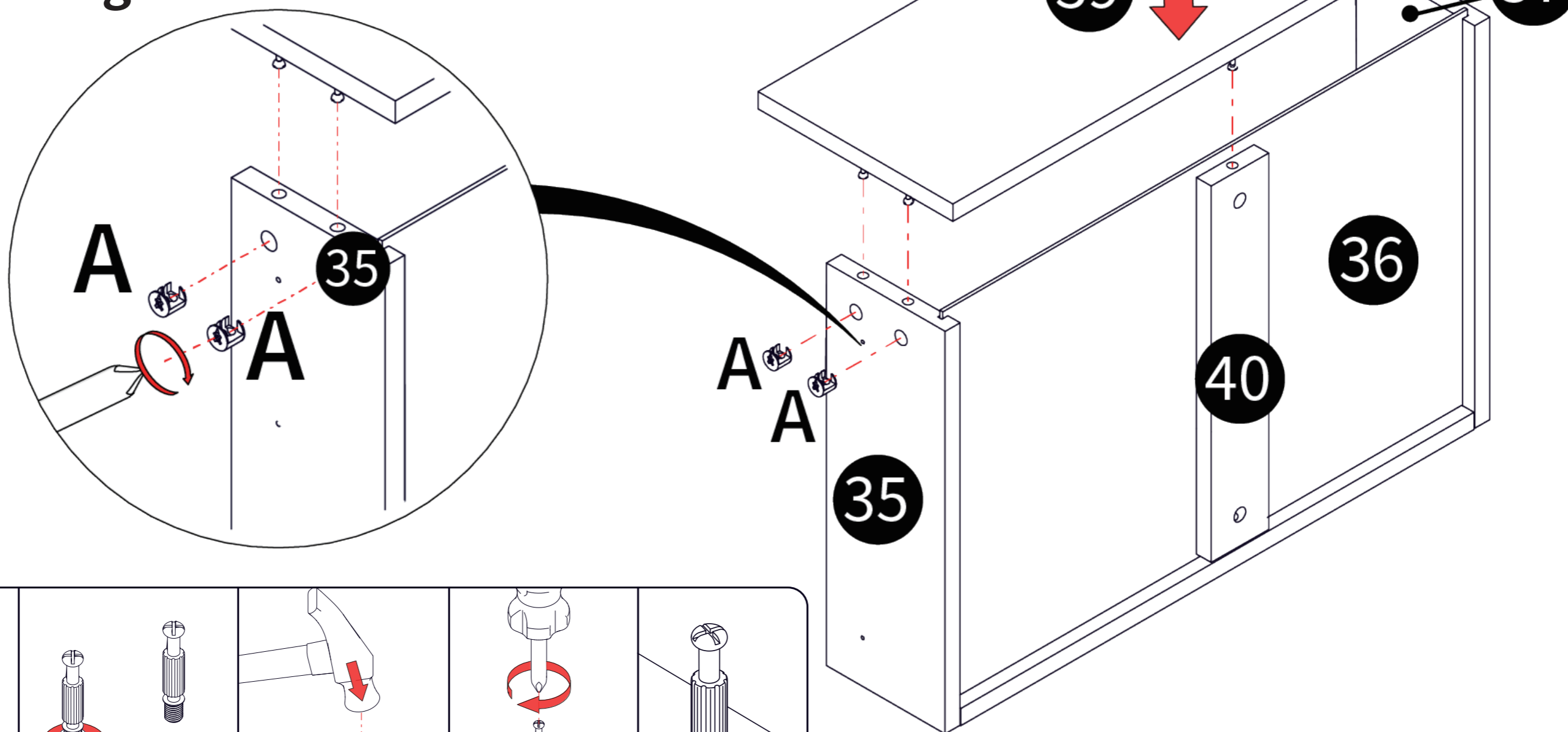
As shown in the figure, insert the back panel 36 along the groove.



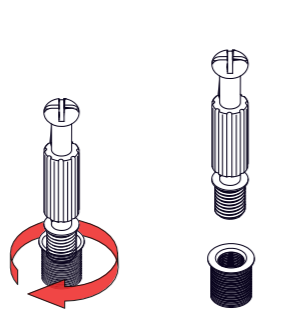
29 As shown in the figure, tap the black Cam Nuts (B.1) into panel 39, then use a screwdriver to screw the cam bolts (B.2) into the black Cam Nuts.



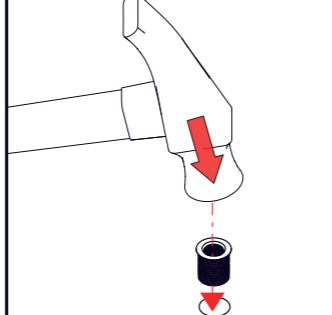
Connect panel 39 to panels 35, 36, 37, and 40, insert Cam wheels (A) into panels 35, 37, and 40, and tighten them.



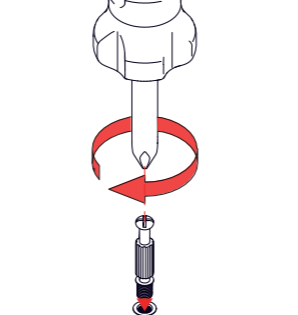
Cam bolt Diagram



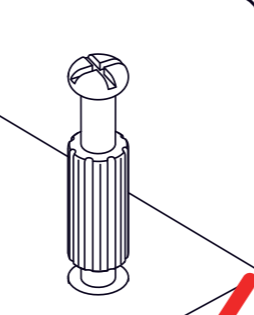
Unscrew the Cam Nut



Hammer into the hole



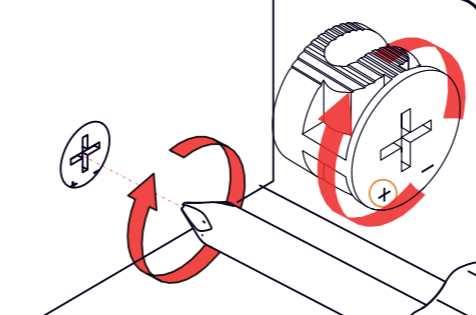
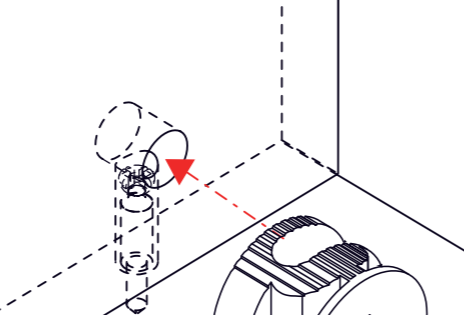
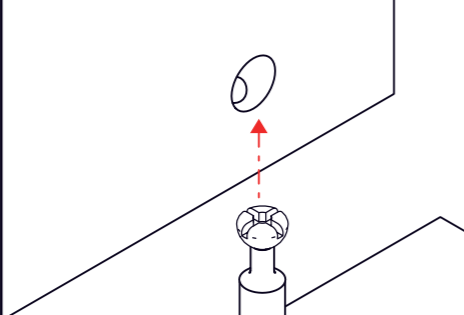
Screw in the Cam Dowel



✓

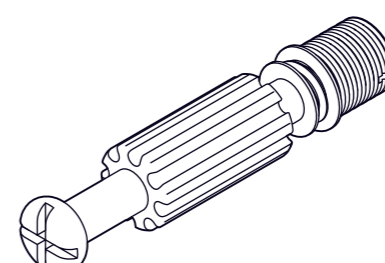


Cam wheel Diagram



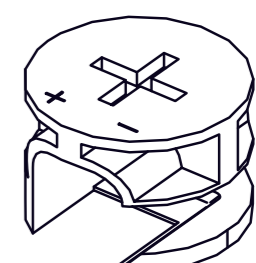
Rotate in the [+]  
direction

B\*5



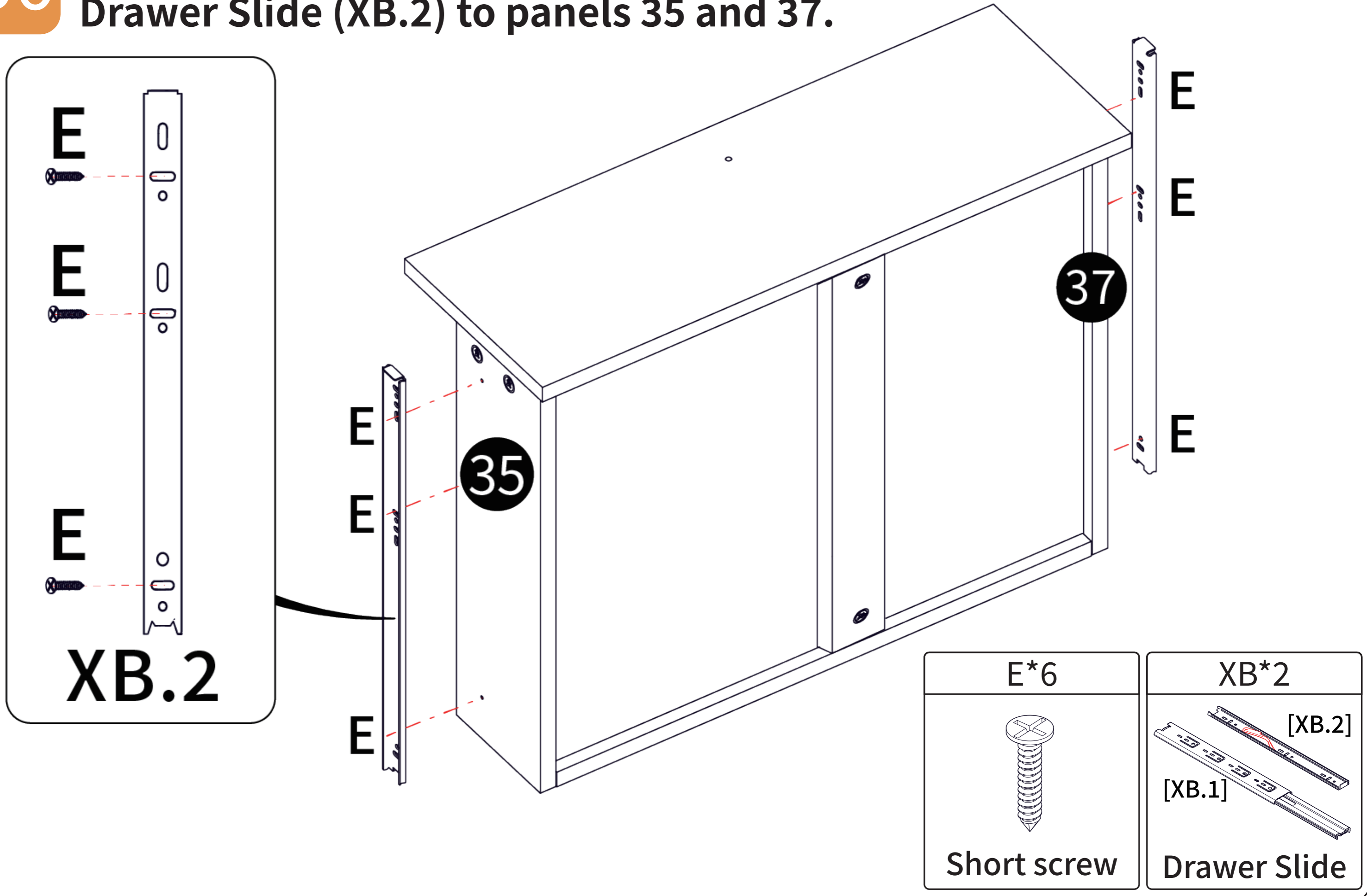
Cam bolt

A\*5

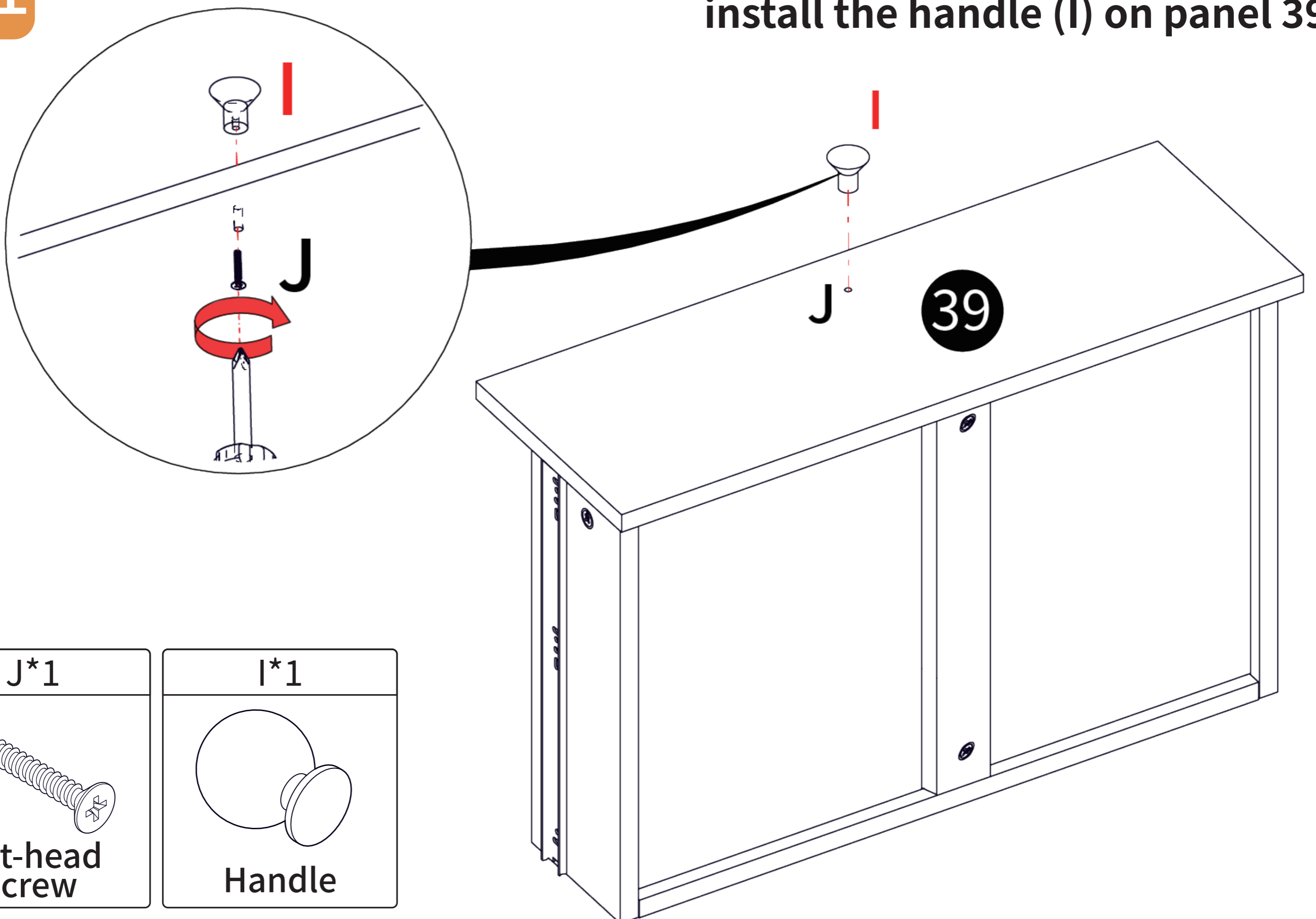


Cam wheel

**30** As shown in the figure, use short screws (E) to fasten the Drawer Slide (XB.2) to panels 35 and 37.

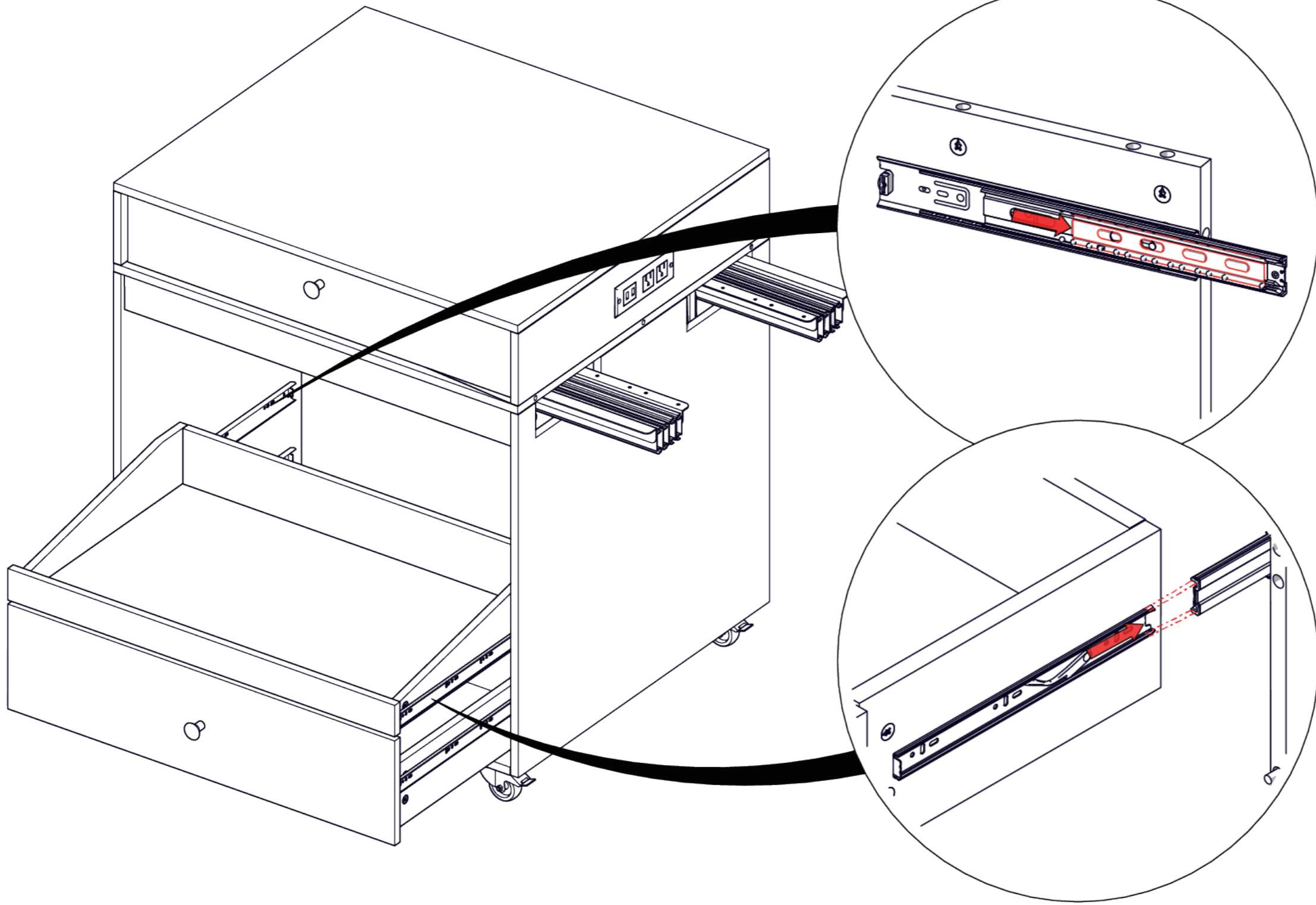


**31** As shown in the figure, use flat-head screws (J) to install the handle (I) on panel 39.



32

As shown in the figure, adjust the Drawer Slides and install the drawers.

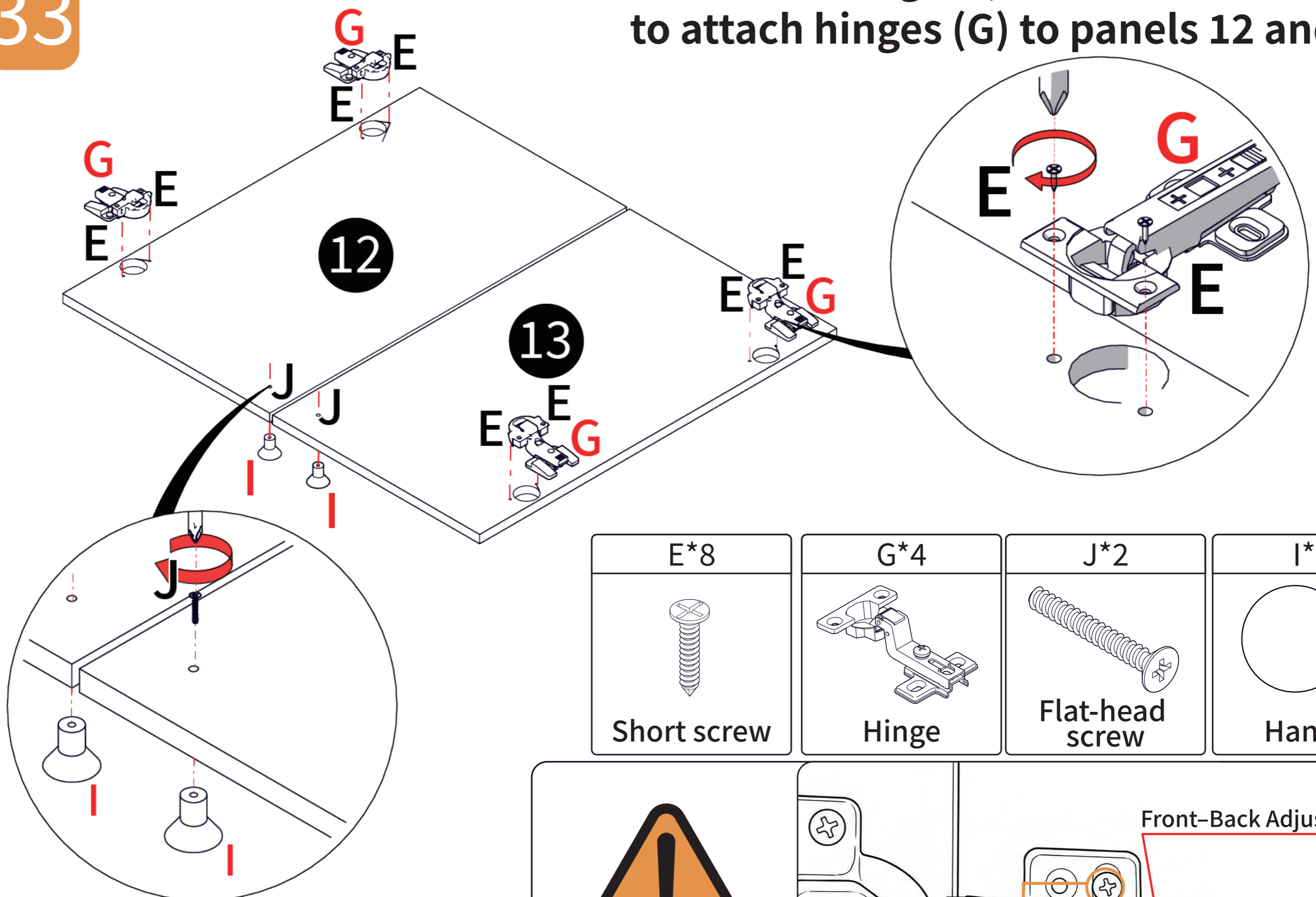


1. Pull out the rails

2. Align with the Drawer Slide slots and push in

33

As shown in the figure, use short screws (E) to attach hinges (G) to panels 12 and 13.

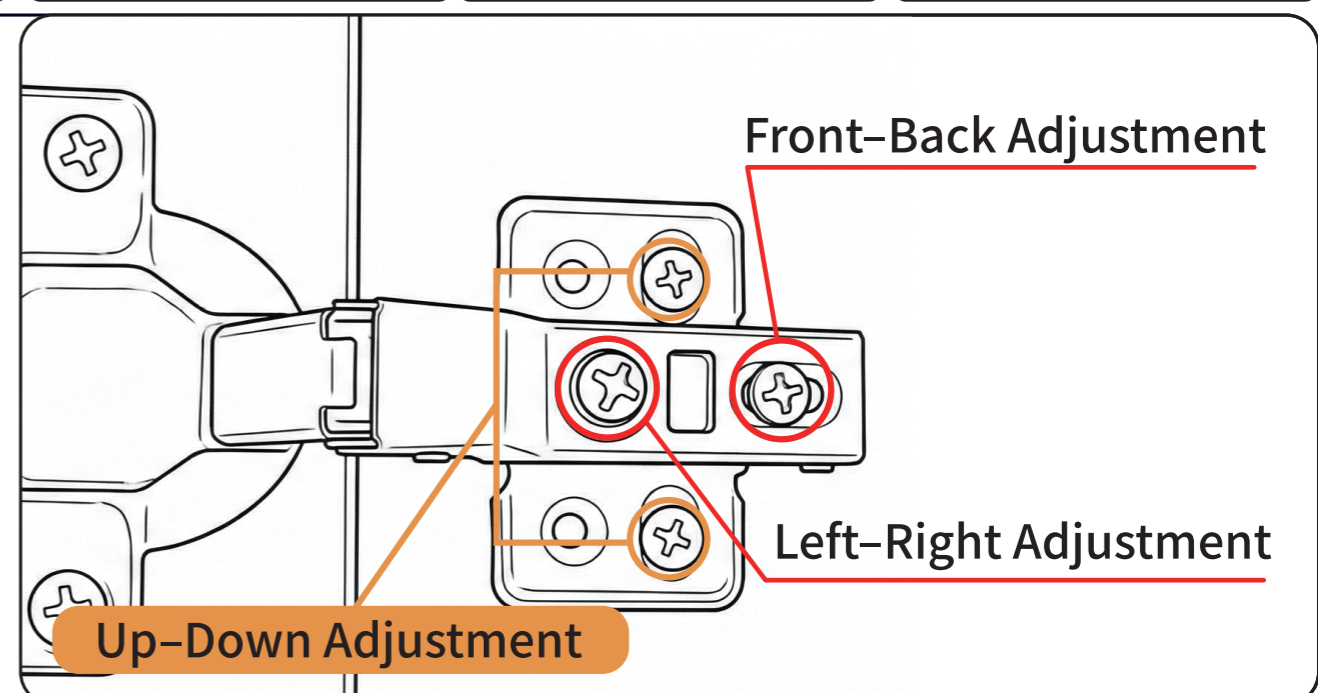


Then use flat-head screws (J) to install the handles (I) on panels 12 and 13.

E*8	G*4	J*2	I*2
Short screw	Hinge	Flat-head screw	Handle

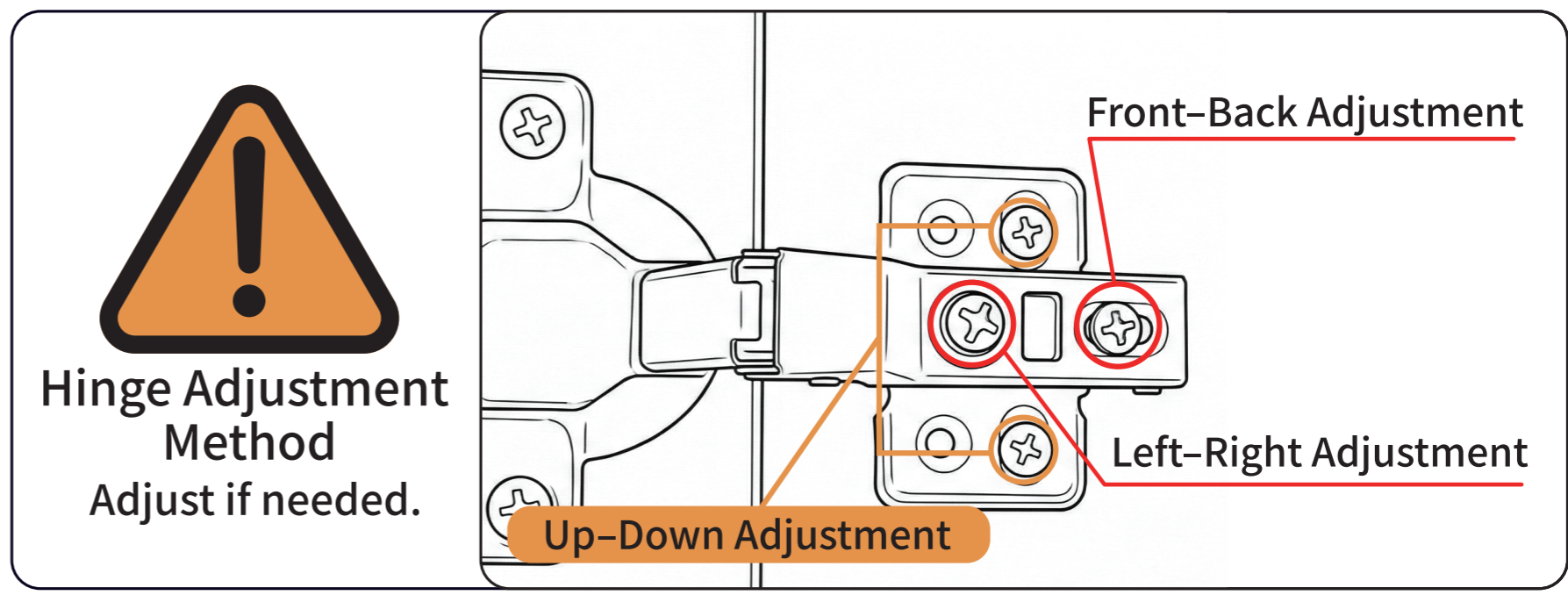
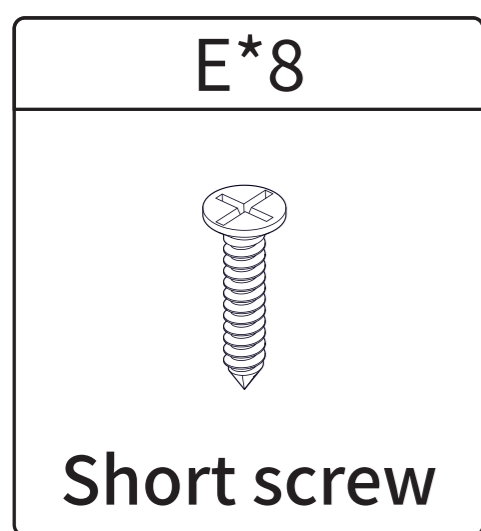
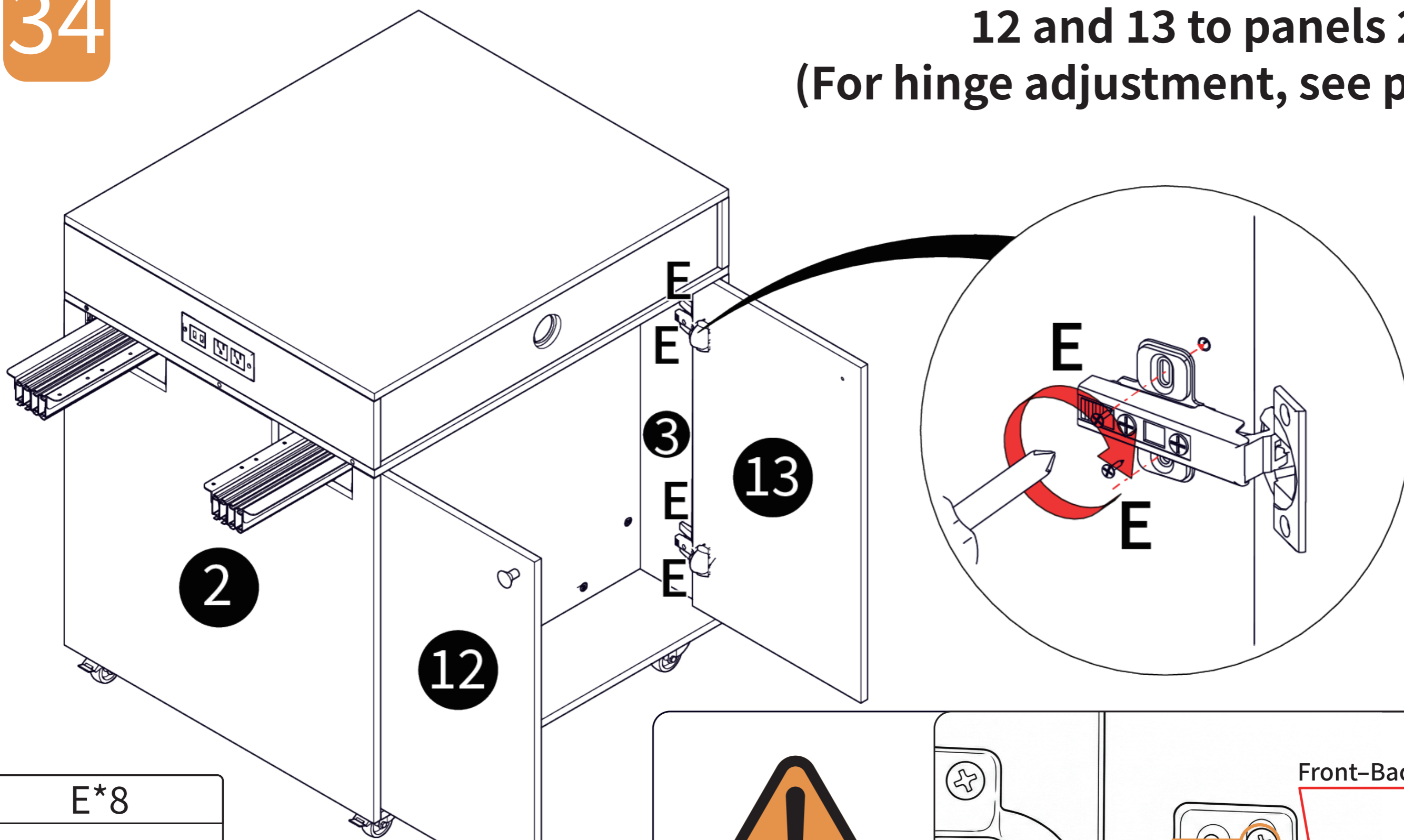


Hinge Adjustment Method  
Adjust if needed.



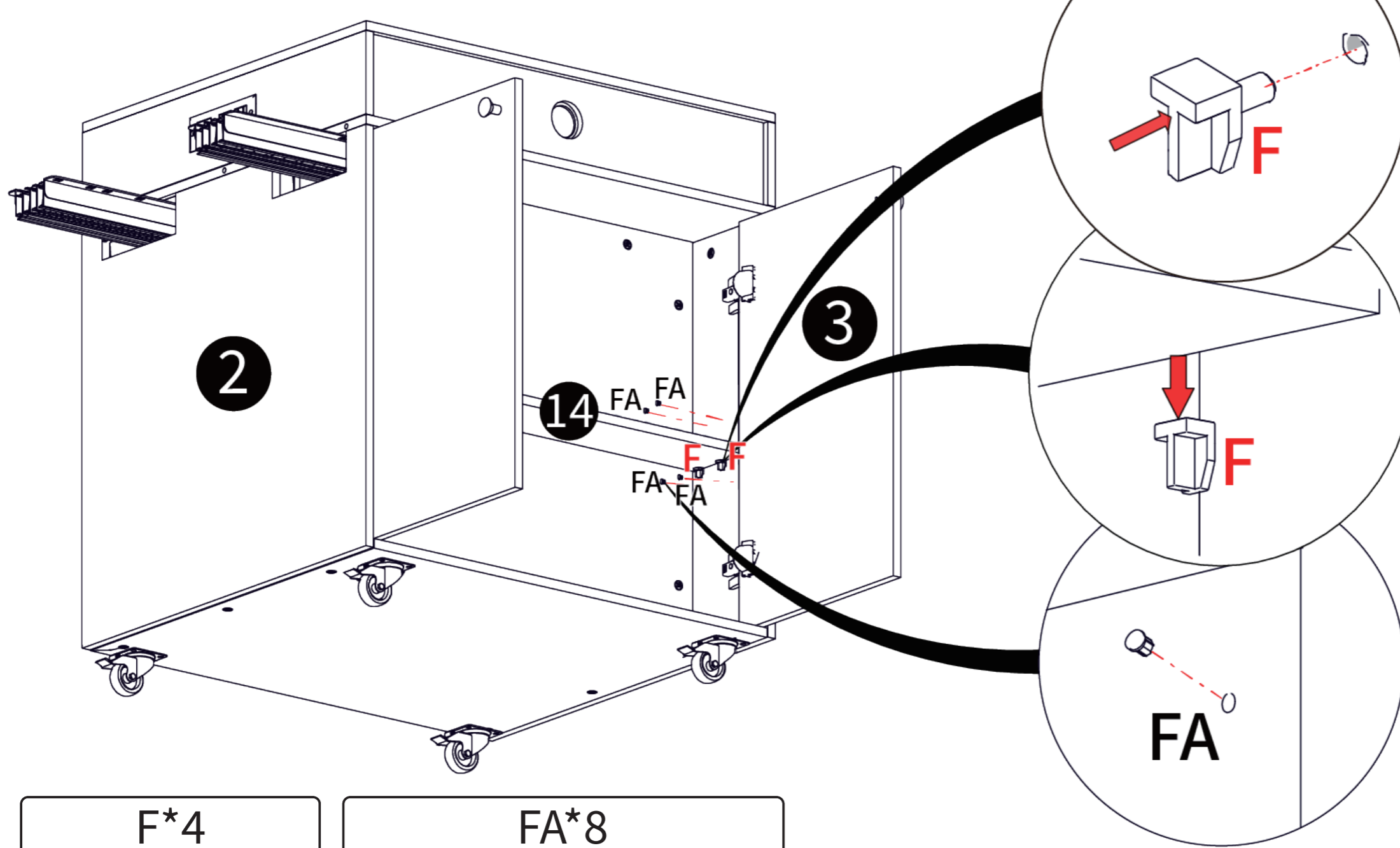
34

As shown in the figure, use short screws (E) to attach panels 12 and 13 to panels 2 and 3. (For hinge adjustment, see page 38)

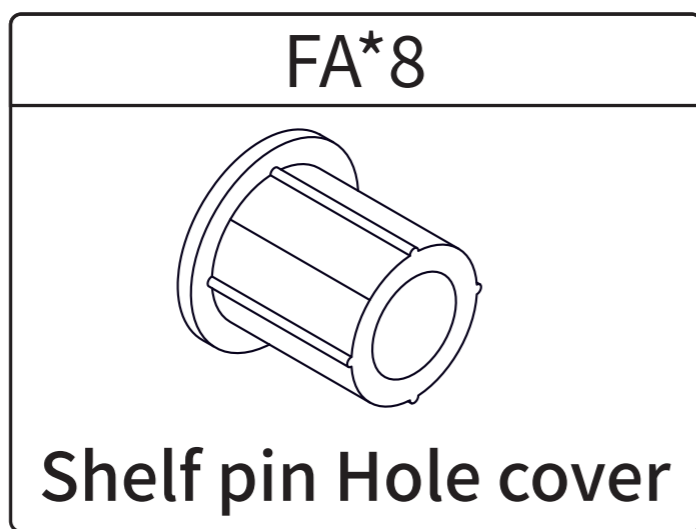
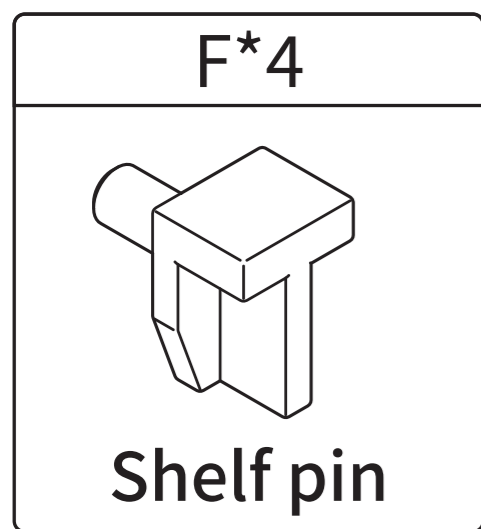


35

First, insert Shelf pin (F) into panels 2 and 3,

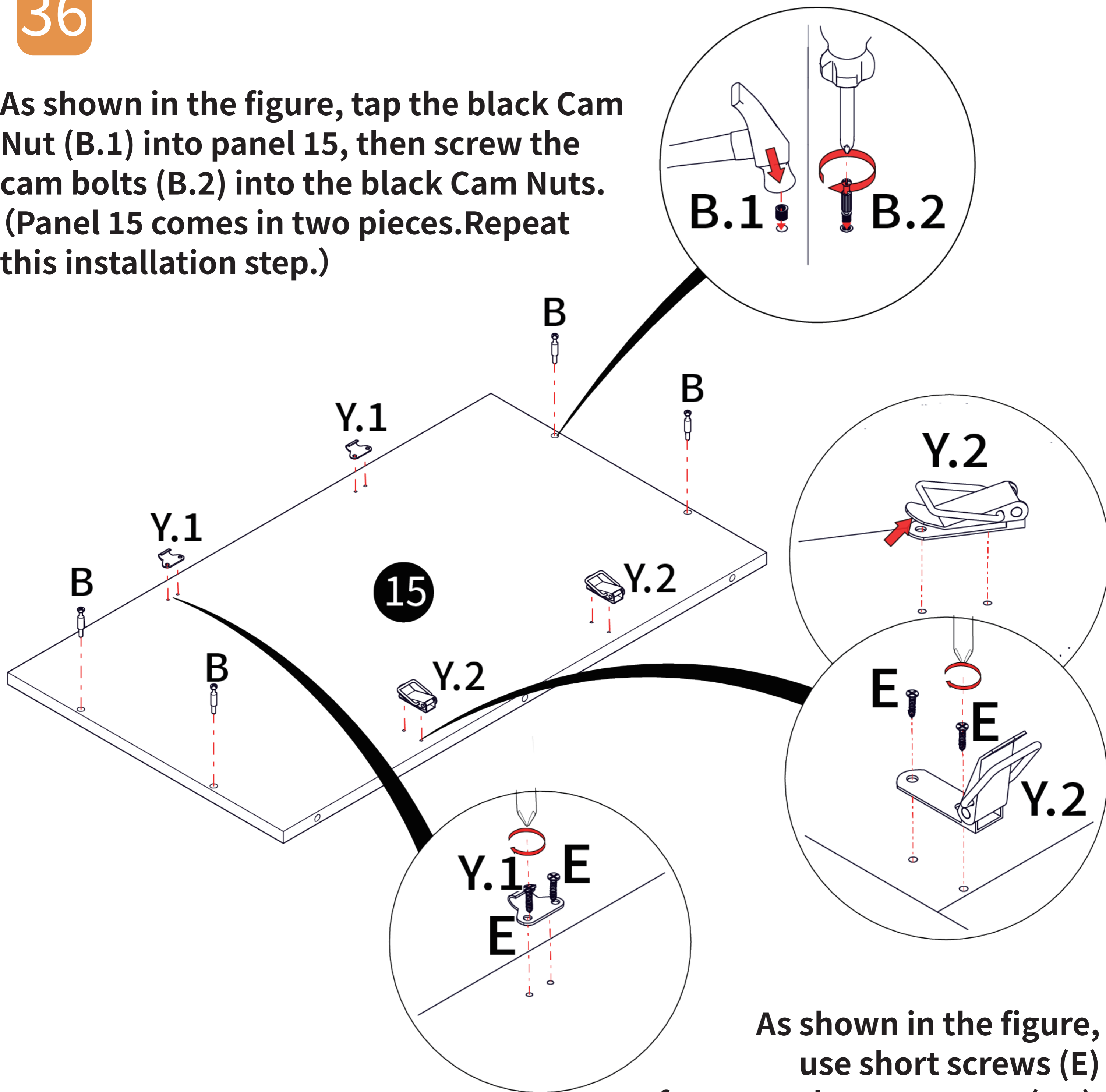


place panel 14 on top of the Shelf pin



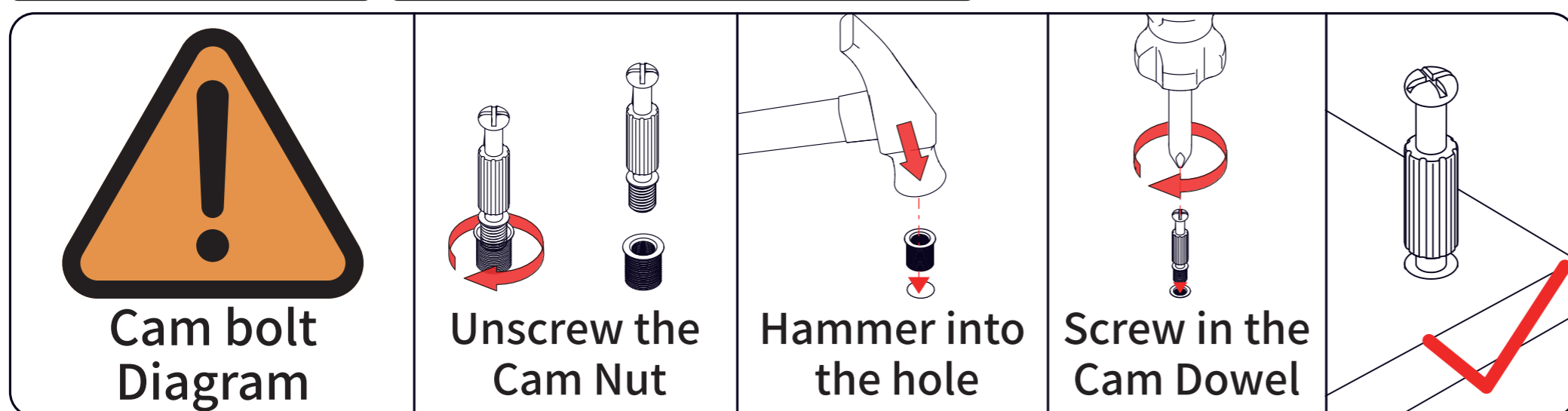
then insert the Shelf pin Hole covers (FA) into the adjustment holes.

As shown in the figure, tap the black Cam Nut (B.1) into panel 15, then screw the cam bolts (B.2) into the black Cam Nuts. (Panel 15 comes in two pieces. Repeat this installation step.)



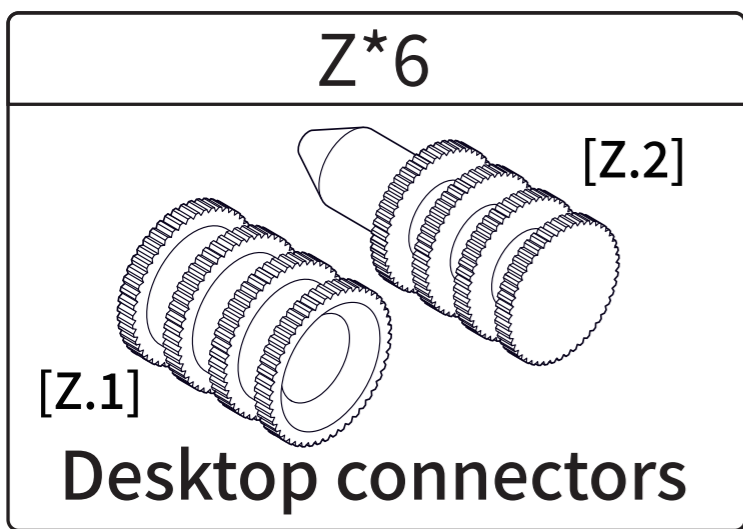
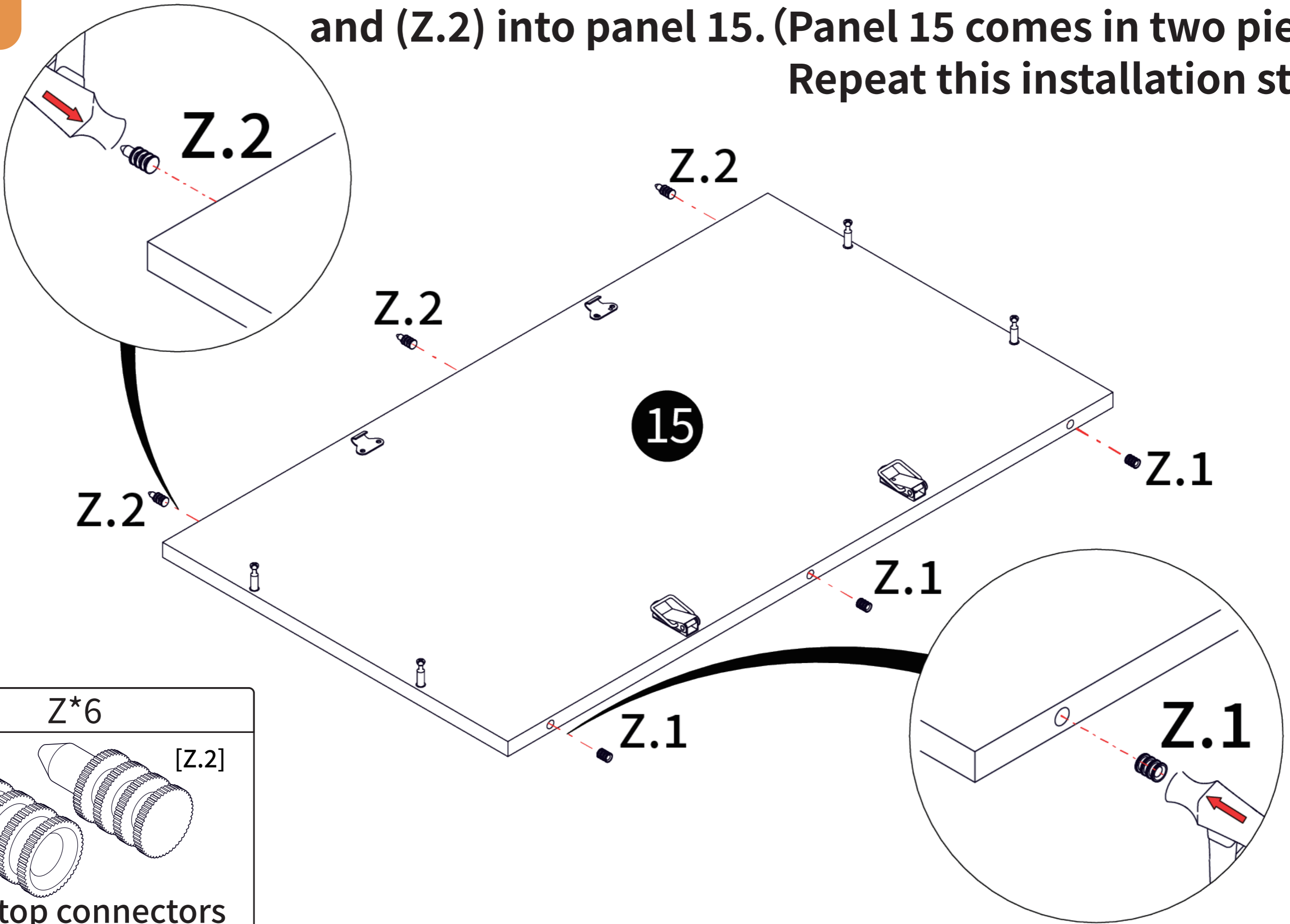
As shown in the figure, use short screws (E) to fasten Desktop Fastener (Y.1) and (Y.2) to panel 15.

B*8	Y*4	E*16
Cam bolt	Desktop Fastener	Short screws



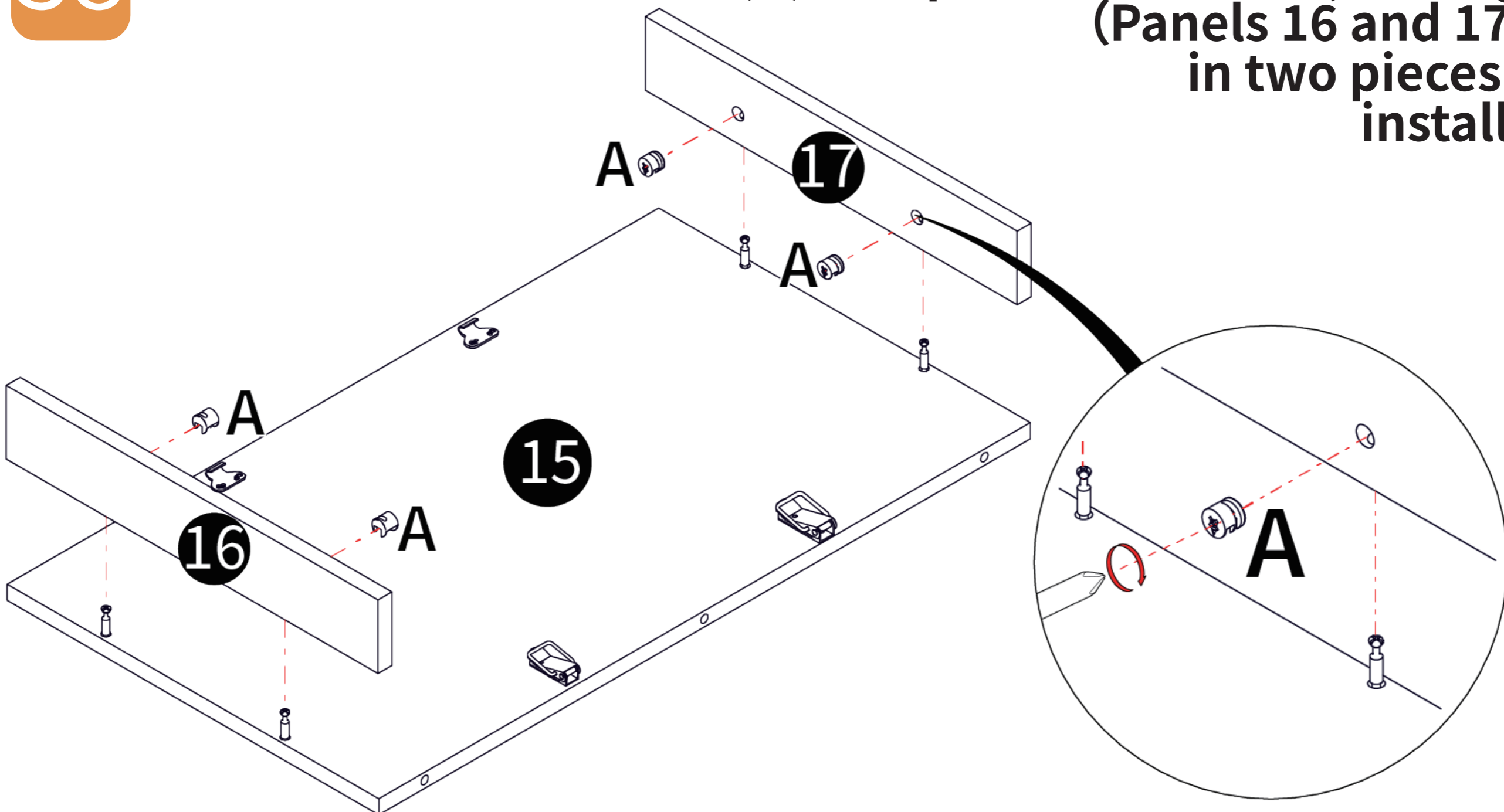
37

As shown in the figure, tap desktop connectors (Z.1) and (Z.2) into panel 15. (Panel 15 comes in two pieces. Repeat this installation step.)

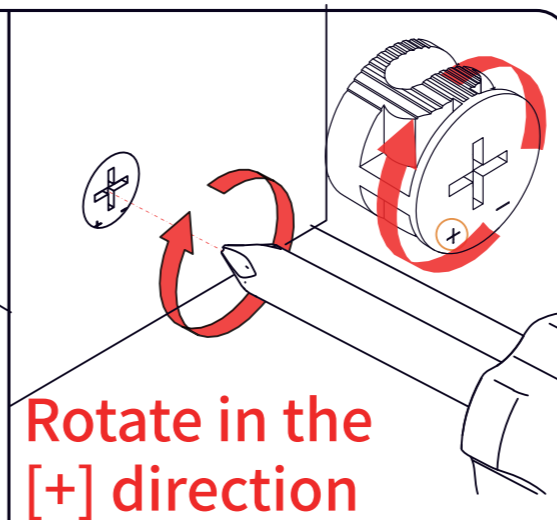
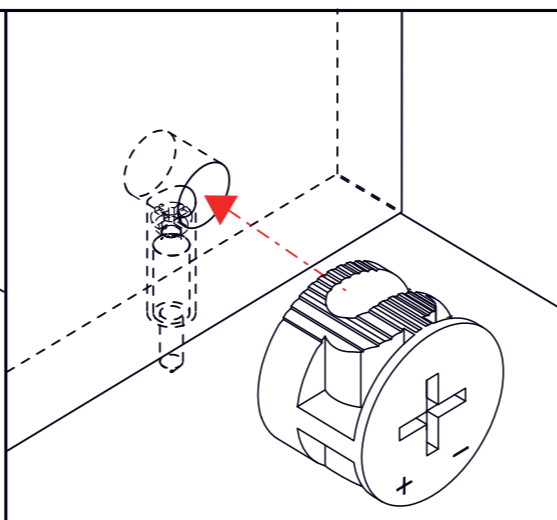
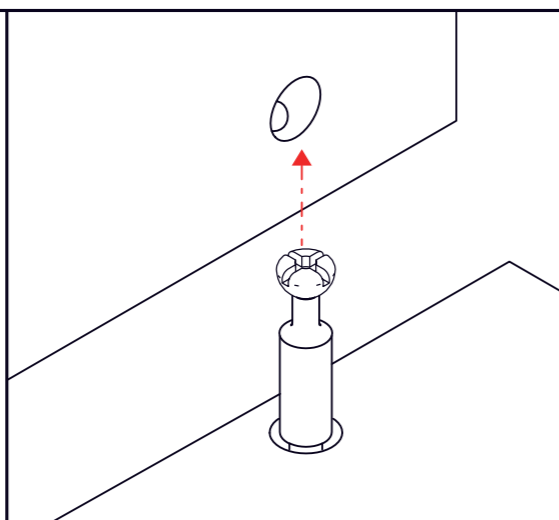


38

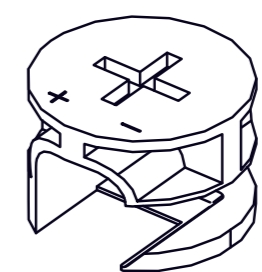
As shown in the figure, connect panels 16 and 17 to panel 15, insert Cam wheels (A) into panels 16 and 17, and tighten them. (Panels 16 and 17 each come in two pieces. Repeat this installation step.)



Cam wheel Diagram



A\*8



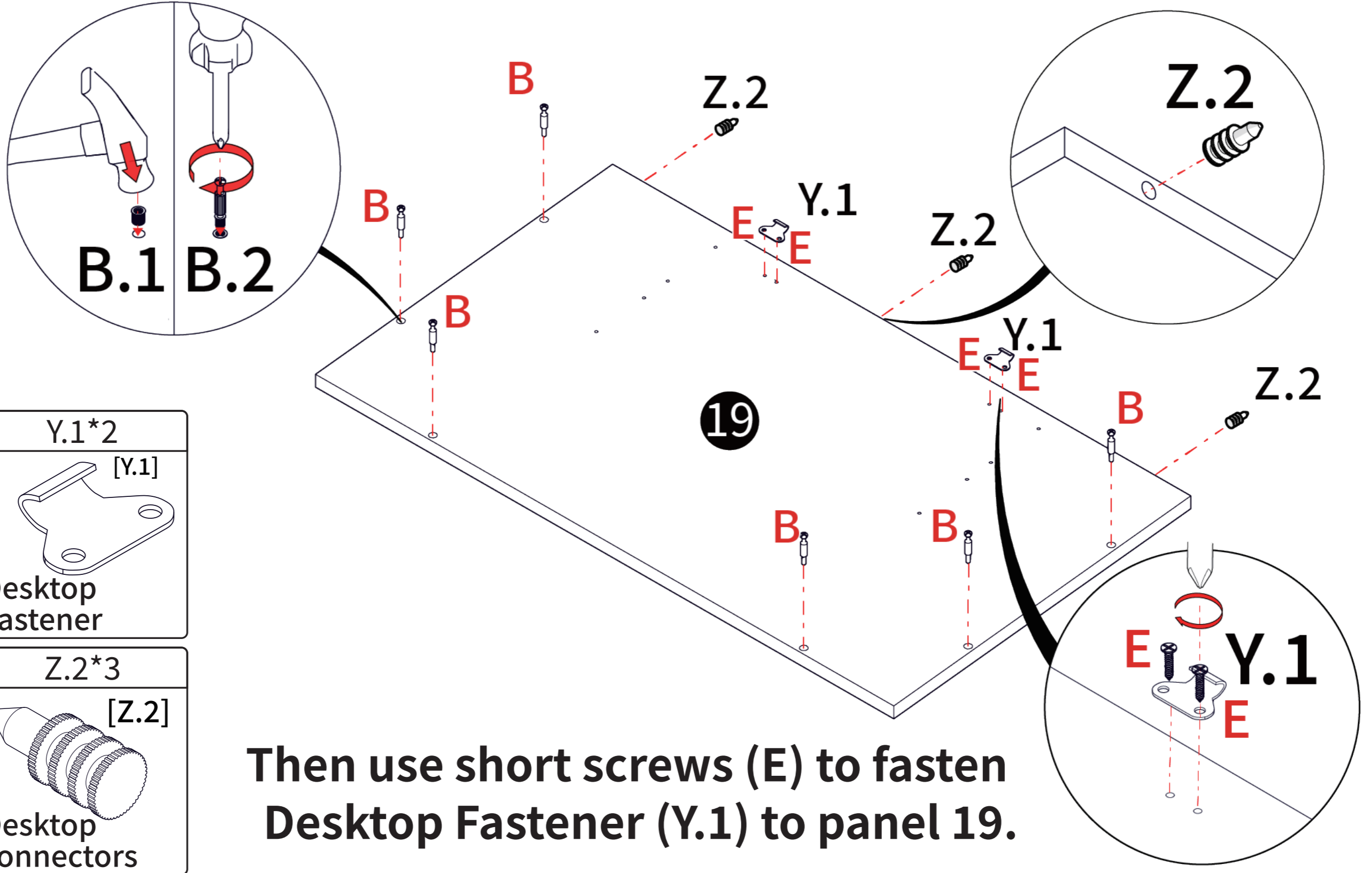
Cam wheel

39

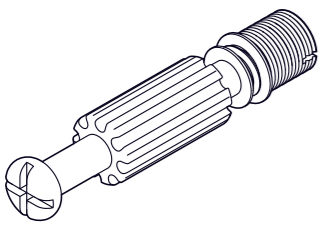
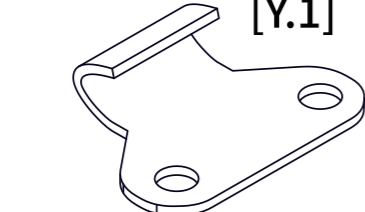
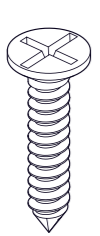
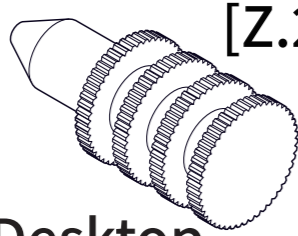
As shown in the figure, tap the black Cam Nuts (B.1) into panel 19, then use a screwdriver to screw the

Tap the desktop connectors (Z.2) into panel 19.

cam bolts (B.2) into the black Cam Nuts.

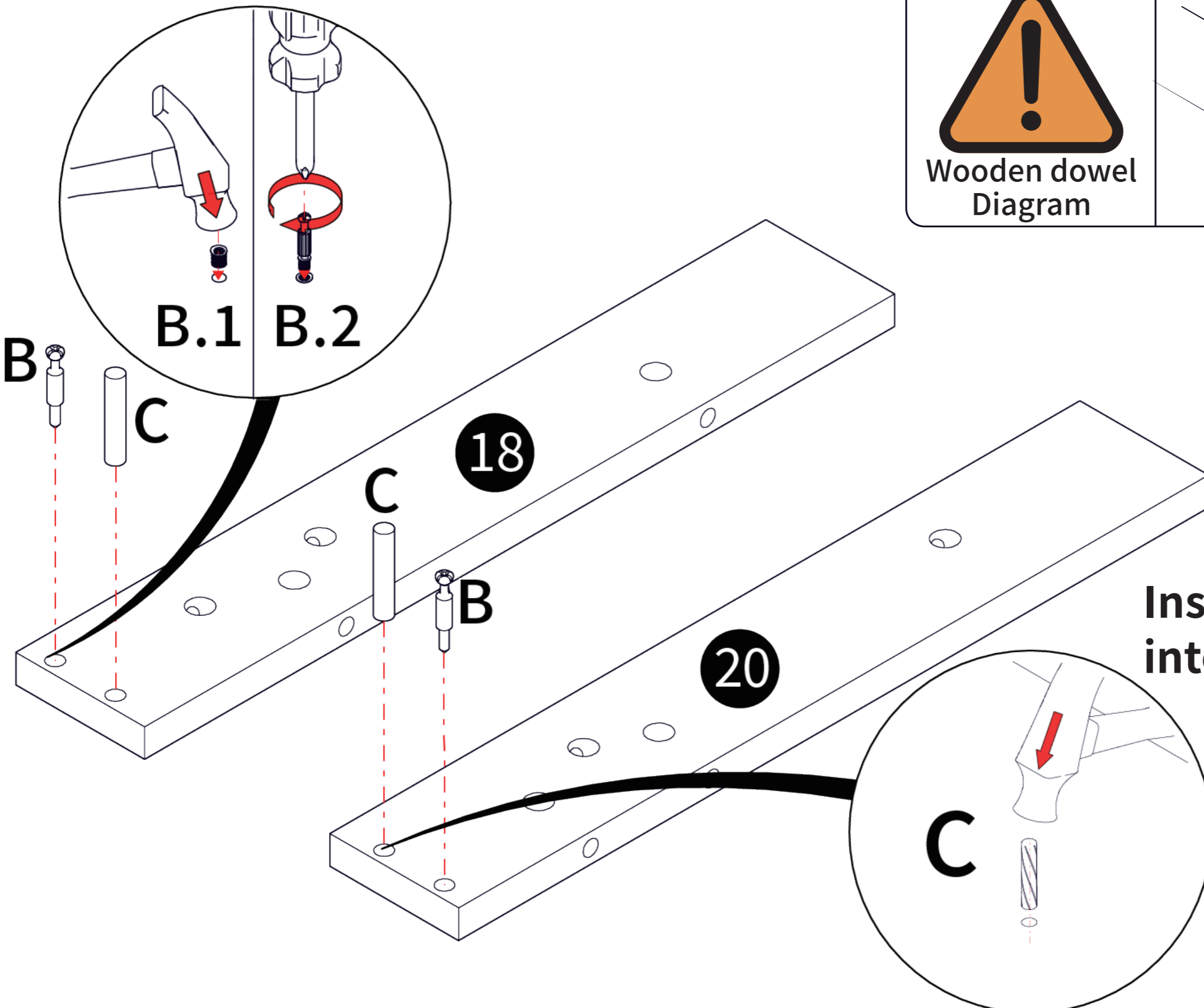
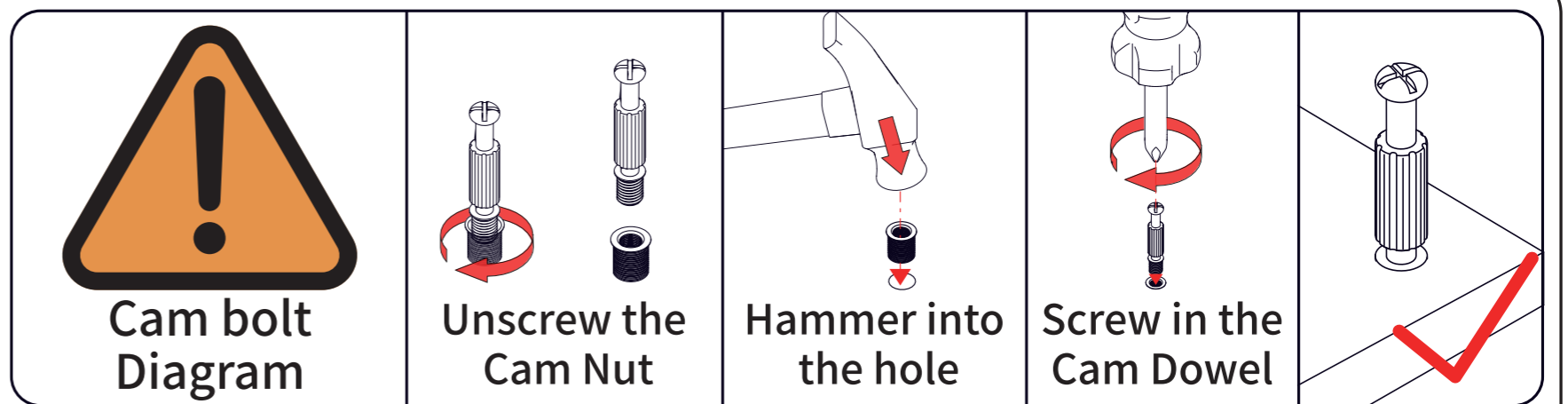


Then use short screws (E) to fasten Desktop Fastener (Y.1) to panel 19.

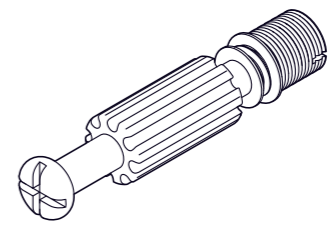
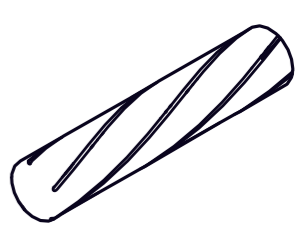
B*6  Cam bolt	Y.1*2 [Y.1]  Desktop Fastener
E*4  Short screw	Z.2*3 [Z.2]  Desktop connectors

40

As shown in the figure, tap the black Cam Nut (B.1) into panels 18 and 20, then use a screwdriver to screw the cam bolts (B.2) into the black Cam Nuts



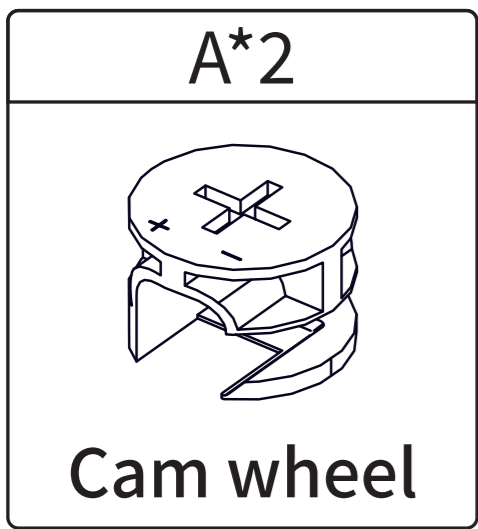
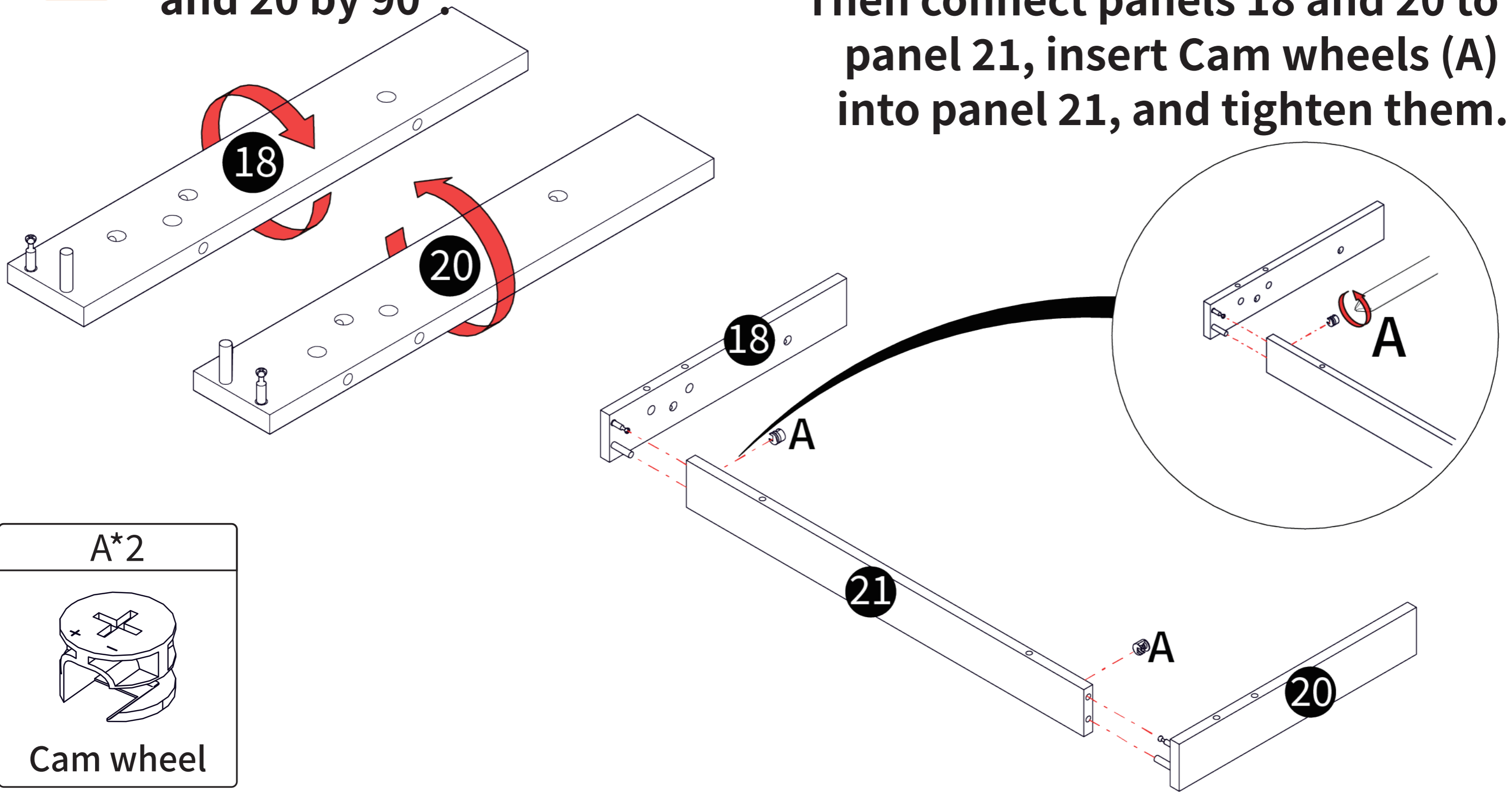
Insert wooden dowels (C) into panels 18 and 20.

B*2  Cam bolt	C*2  Wooden dowel
--	--

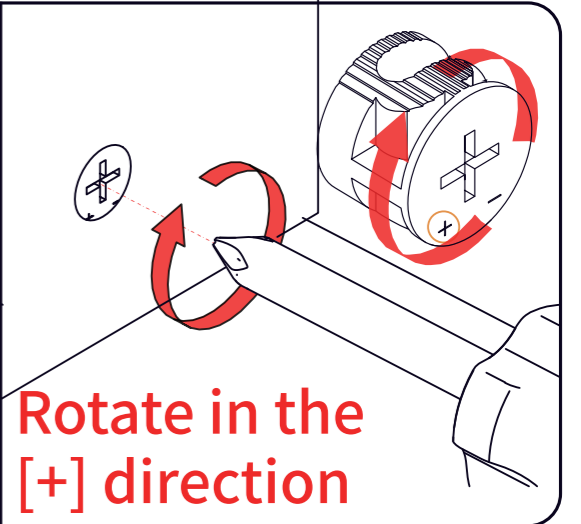
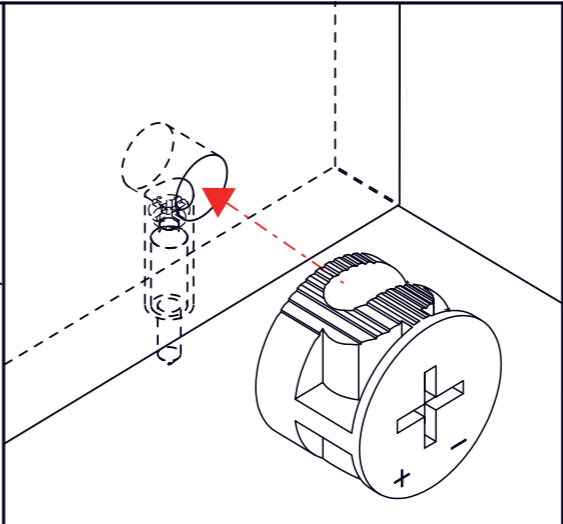
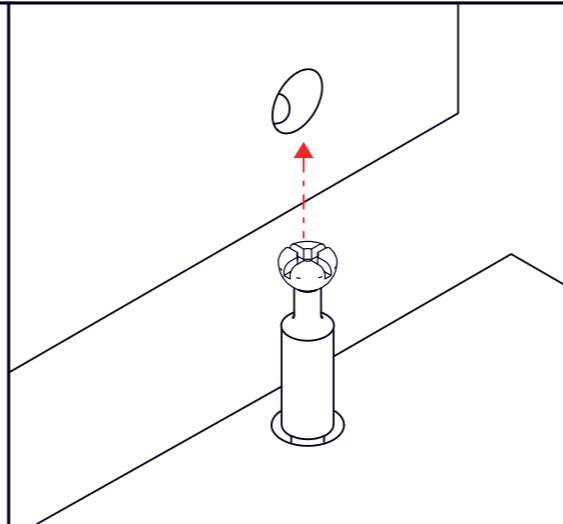
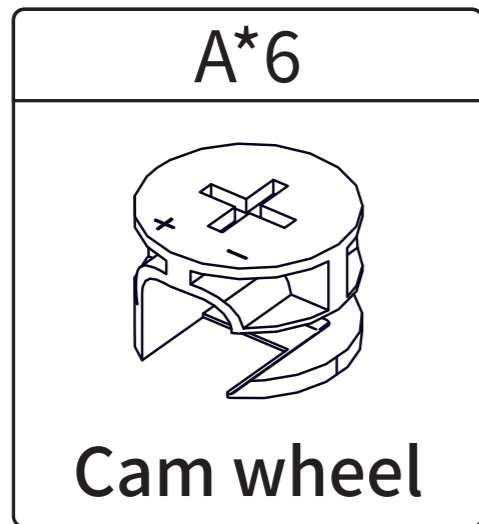
41

First, rotate panels 18 and 20 by 90°.

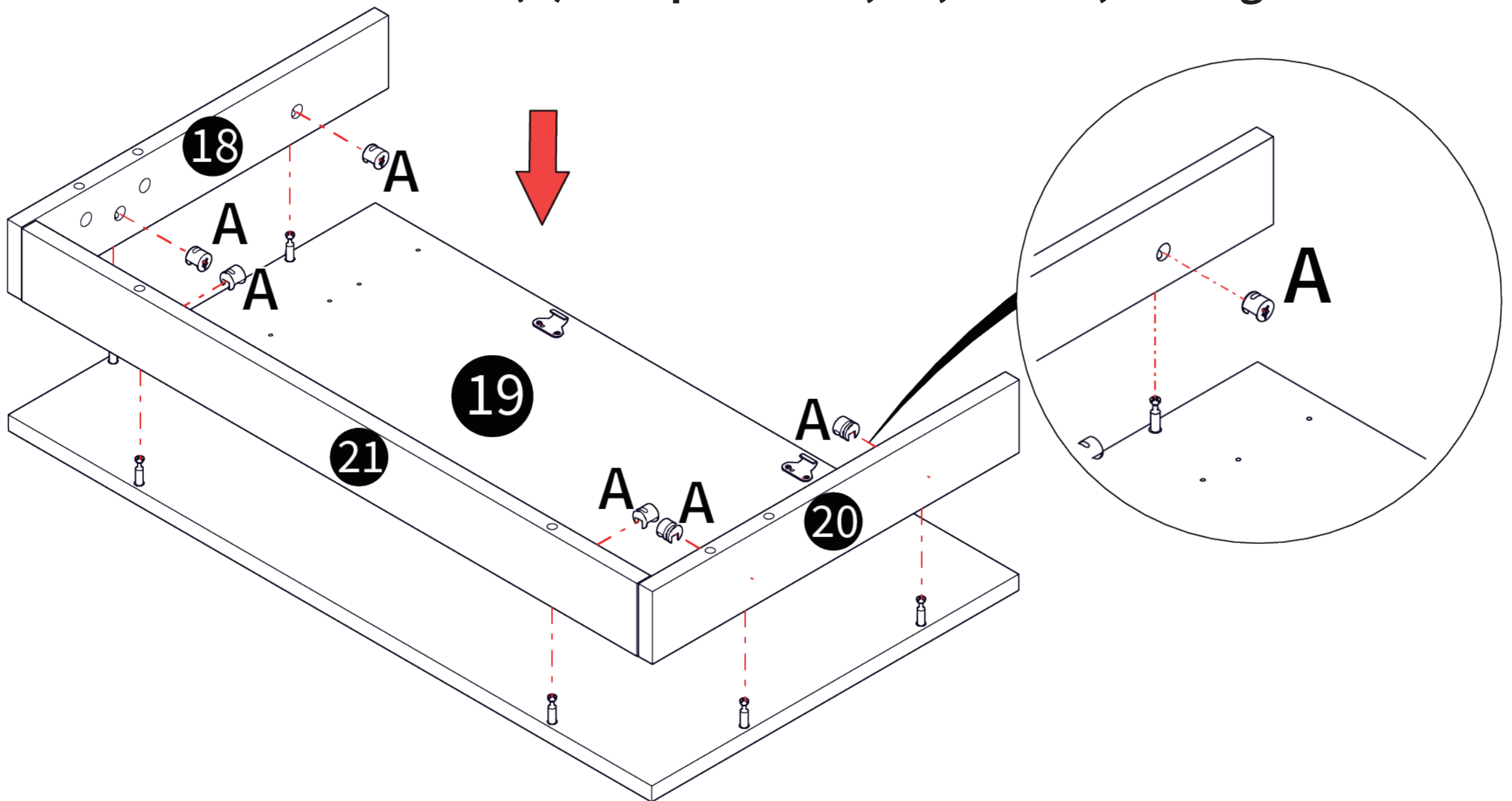
Then connect panels 18 and 20 to panel 21, insert Cam wheels (A) into panel 21, and tighten them.



42

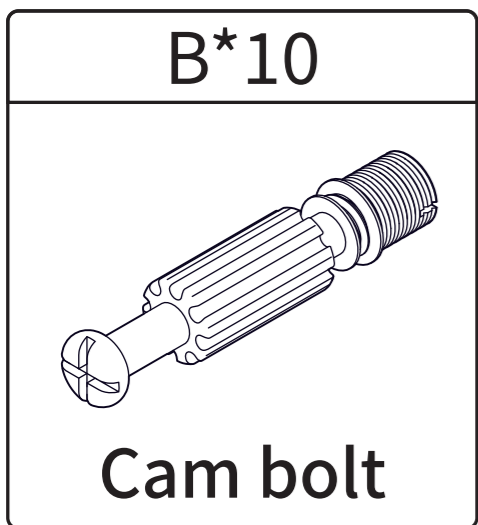
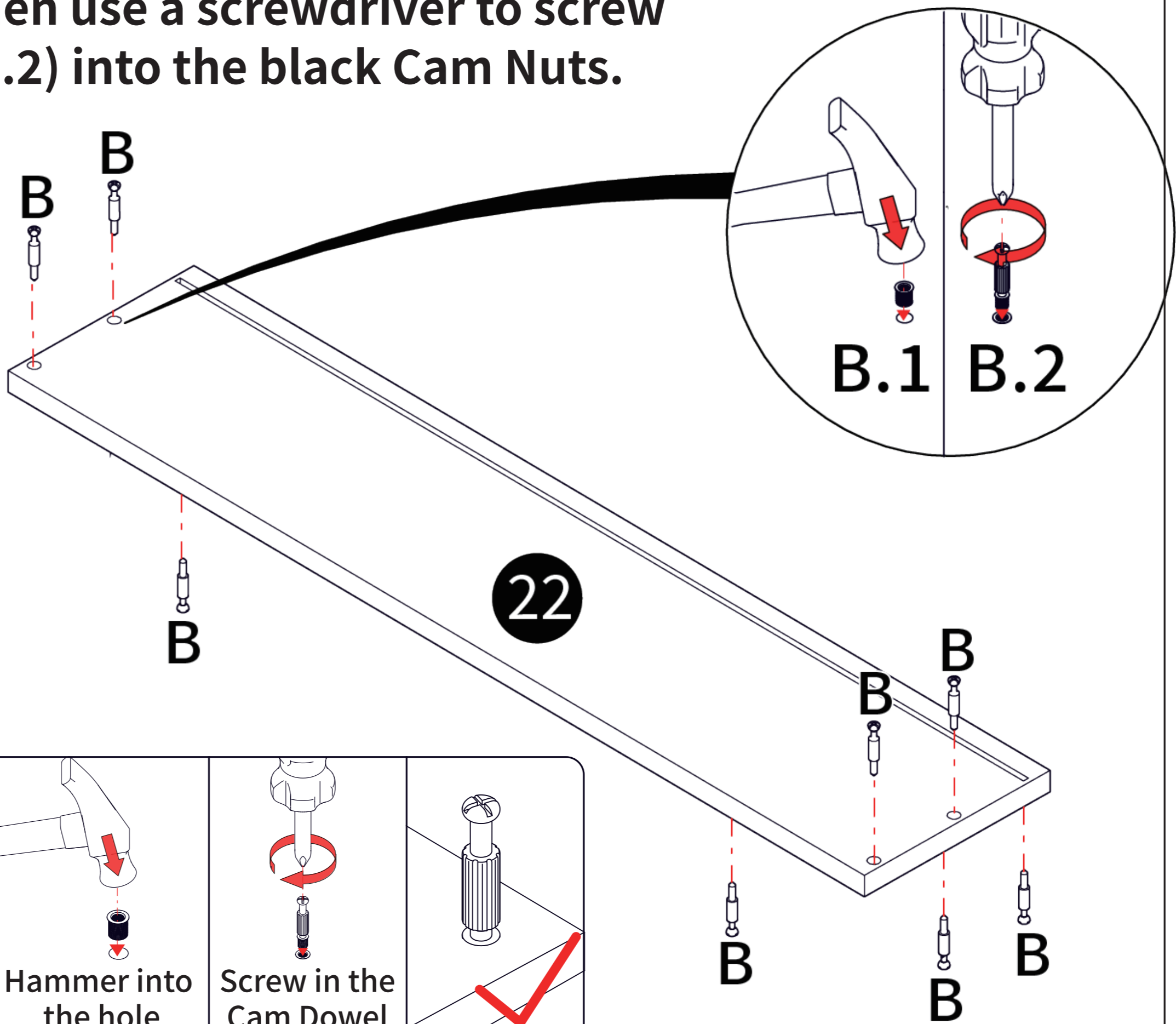


As shown in the figure, connect panels 18, 20, and 21 to panel 19, insert Cam wheels (A) into panels 18, 20, and 21, and tighten them.

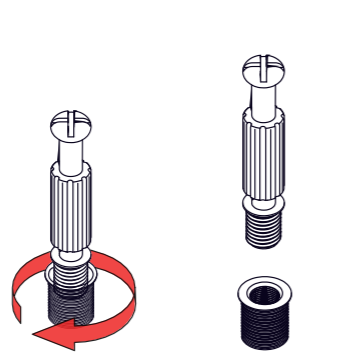


43

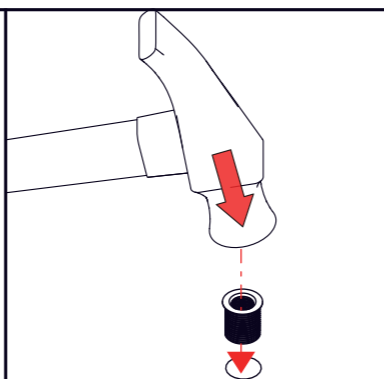
As shown in the figure, tap the black Cam Nuts (B.1) into panel 22, then use a screwdriver to screw the cam bolts (B.2) into the black Cam Nuts.



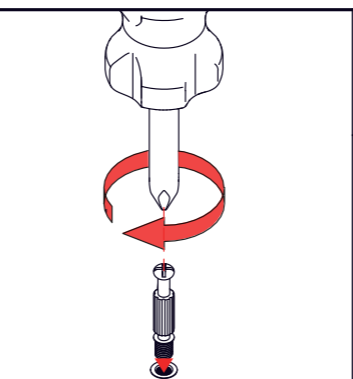
Cam bolt Diagram



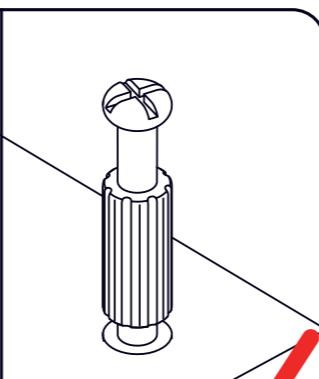
Unscrew the Cam Nut



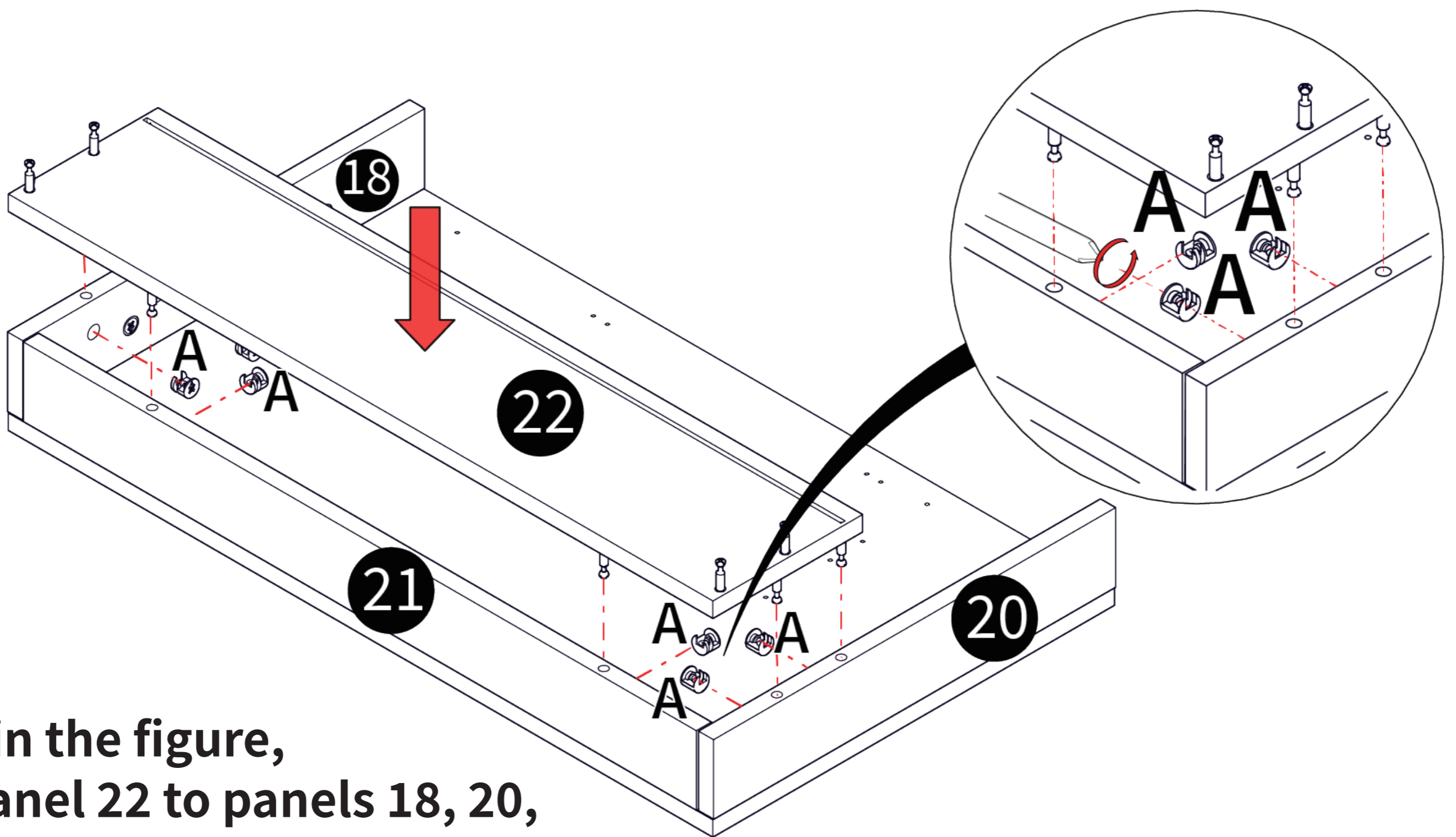
Hammer into the hole



Screw in the Cam Dowel



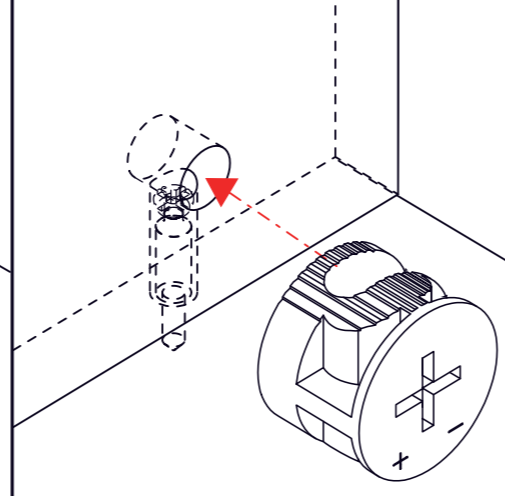
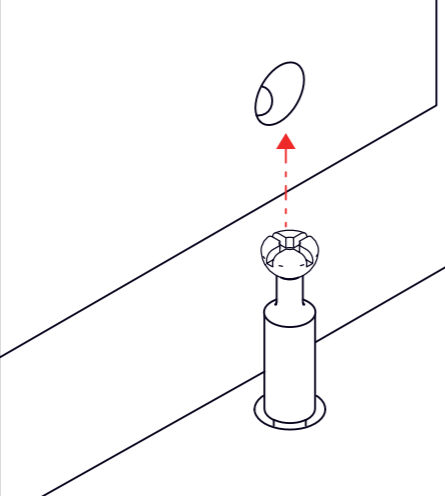
44



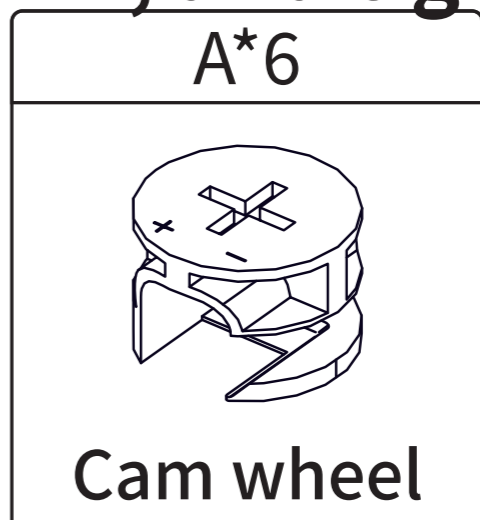
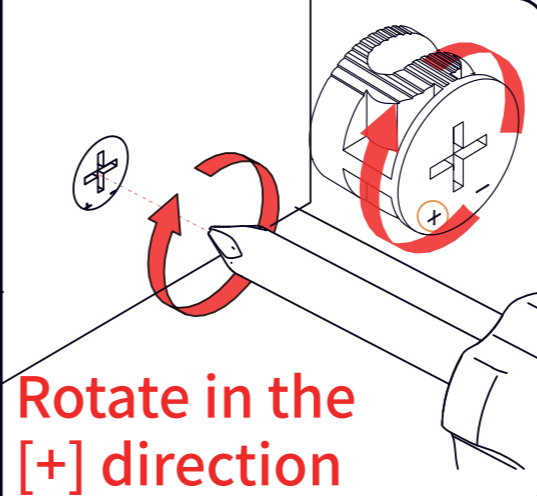
As shown in the figure, connect panel 22 to panels 18, 20, and 21, insert Cam wheels (A) into panels 18, 20, and 21, and tighten them.



Cam wheel Diagram



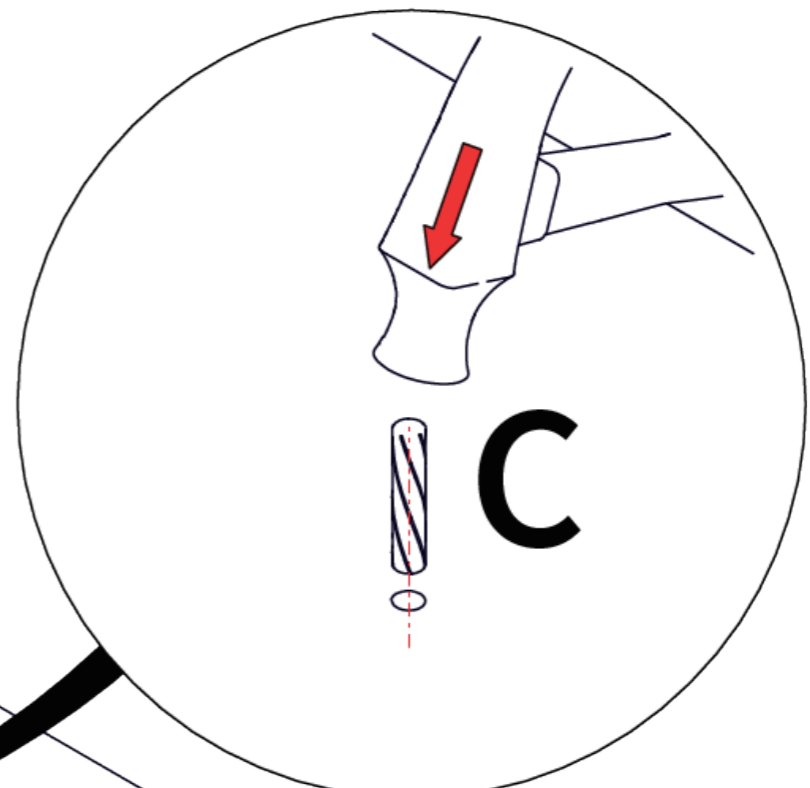
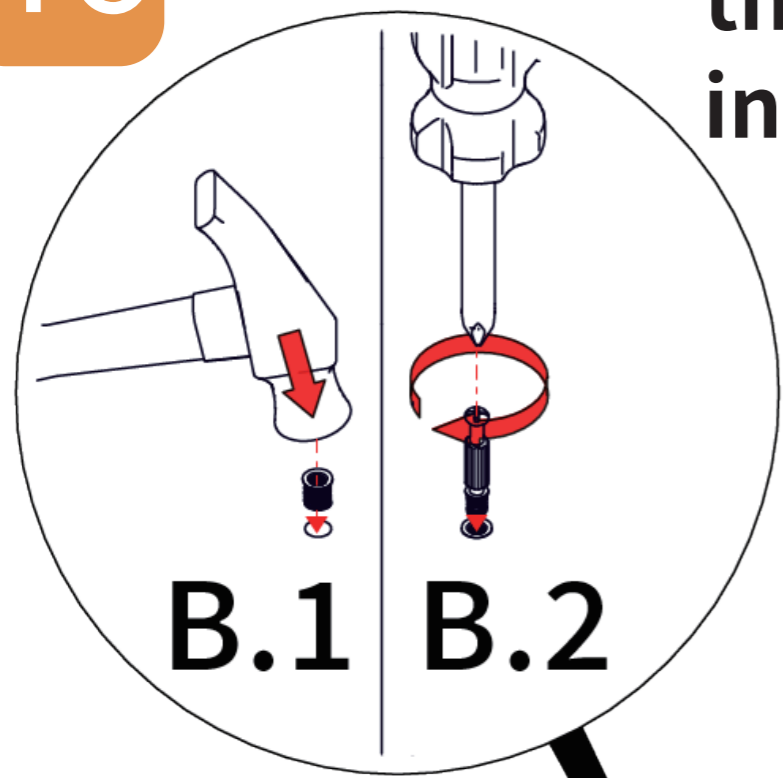
Rotate in the [+]  
direction





46

First, tap the black Cam Nuts (B.1) into panel 28, then use a screwdriver to screw the cam bolts (B.2) into the black Cam Nuts.



B.1 B.2

C B

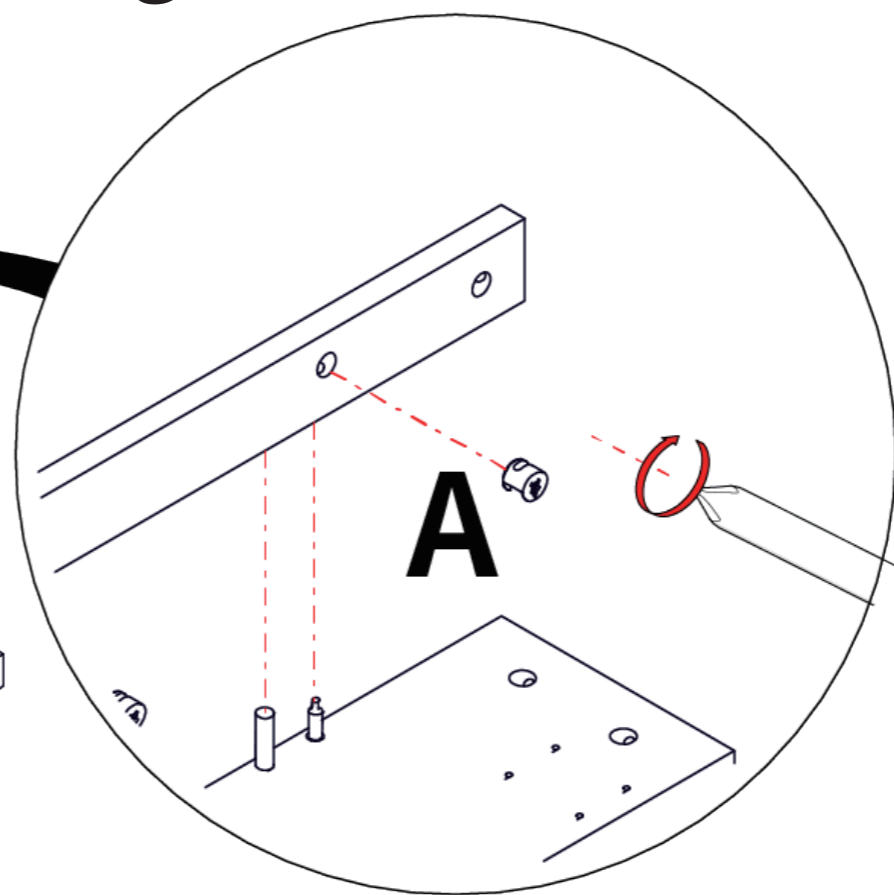
C

B

Insert the wooden dowels (C) into panel 28.

28

Finally, connect panel 29 to panel 28, insert Cam wheels (A) into panel 29, and tighten them.

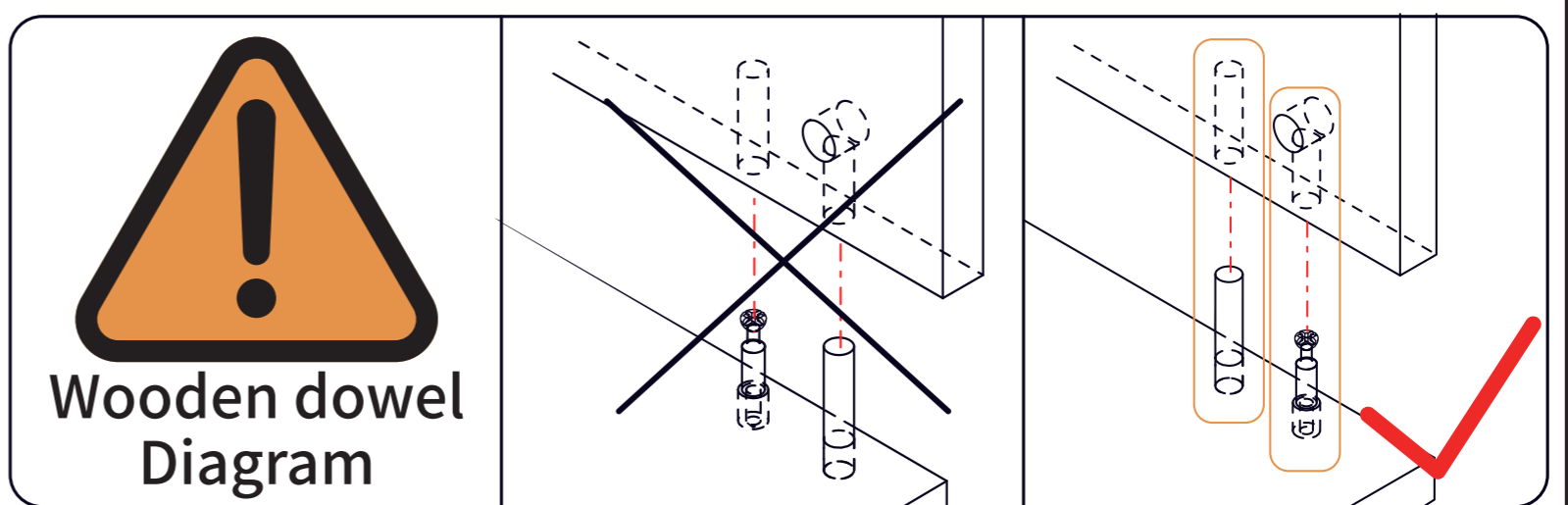


29

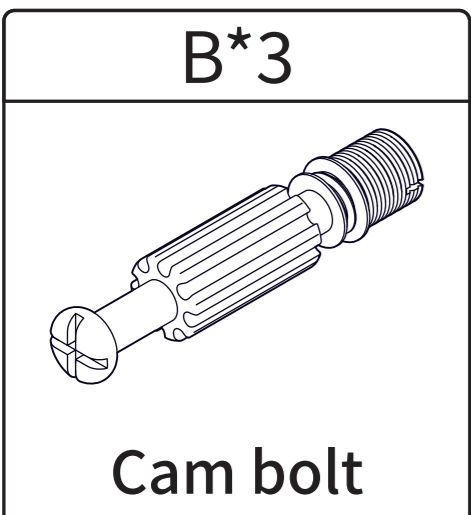
A

28

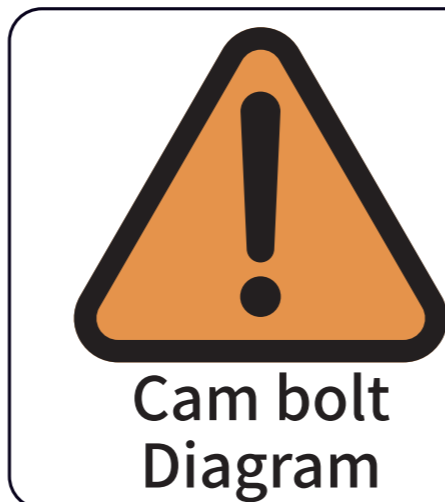
A



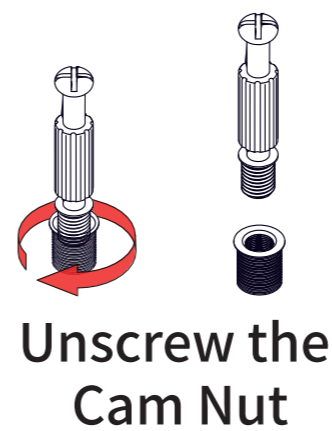
Wooden dowel Diagram



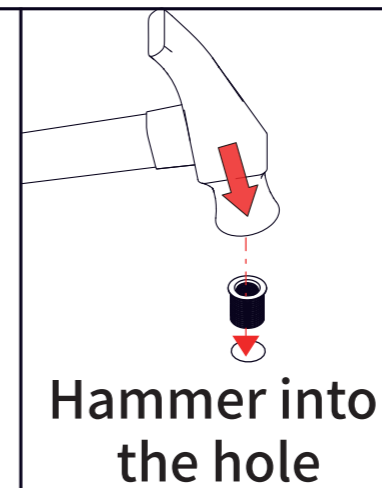
Cam bolt



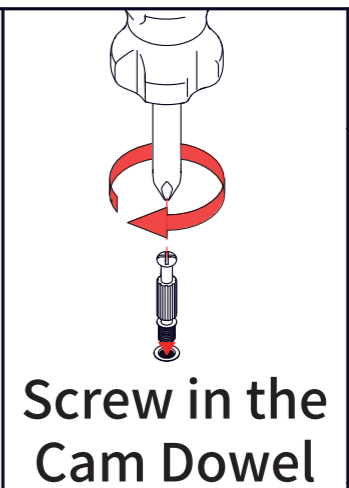
Cam bolt Diagram



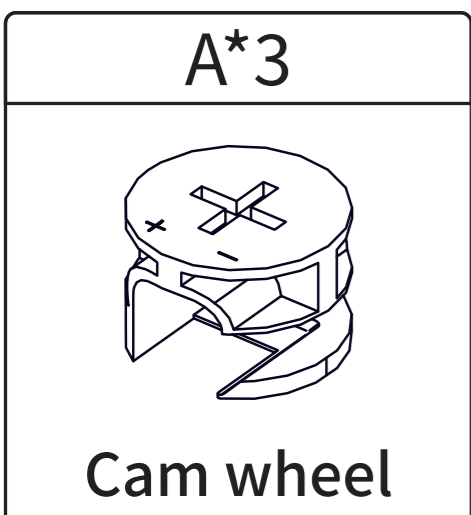
Unscrew the Cam Nut



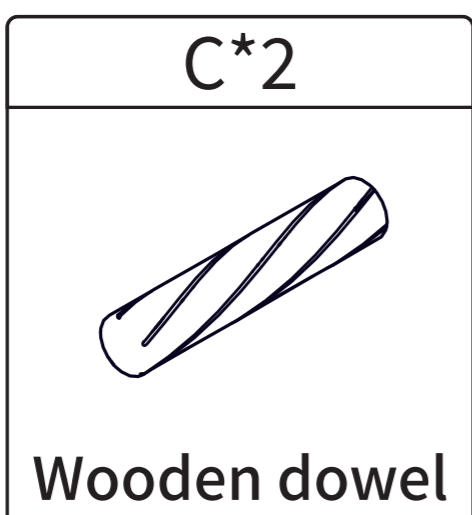
Hammer into the hole



Screw in the Cam Dowel



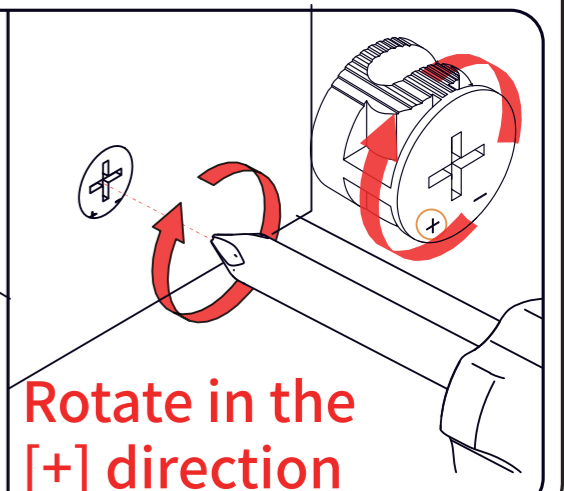
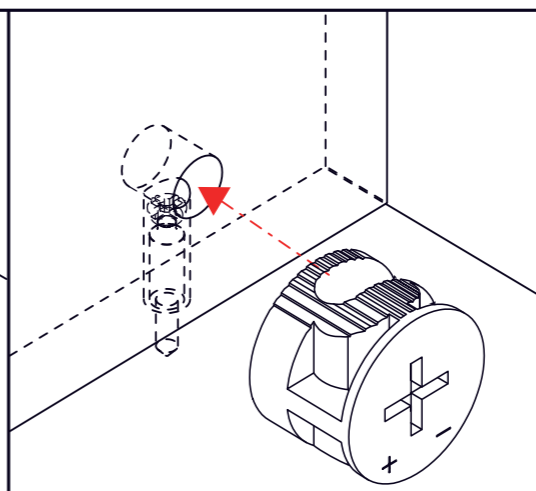
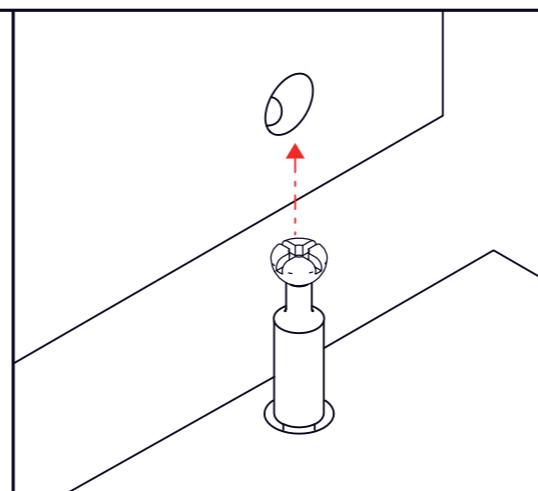
Cam wheel



Wooden dowel



Cam wheel Diagram

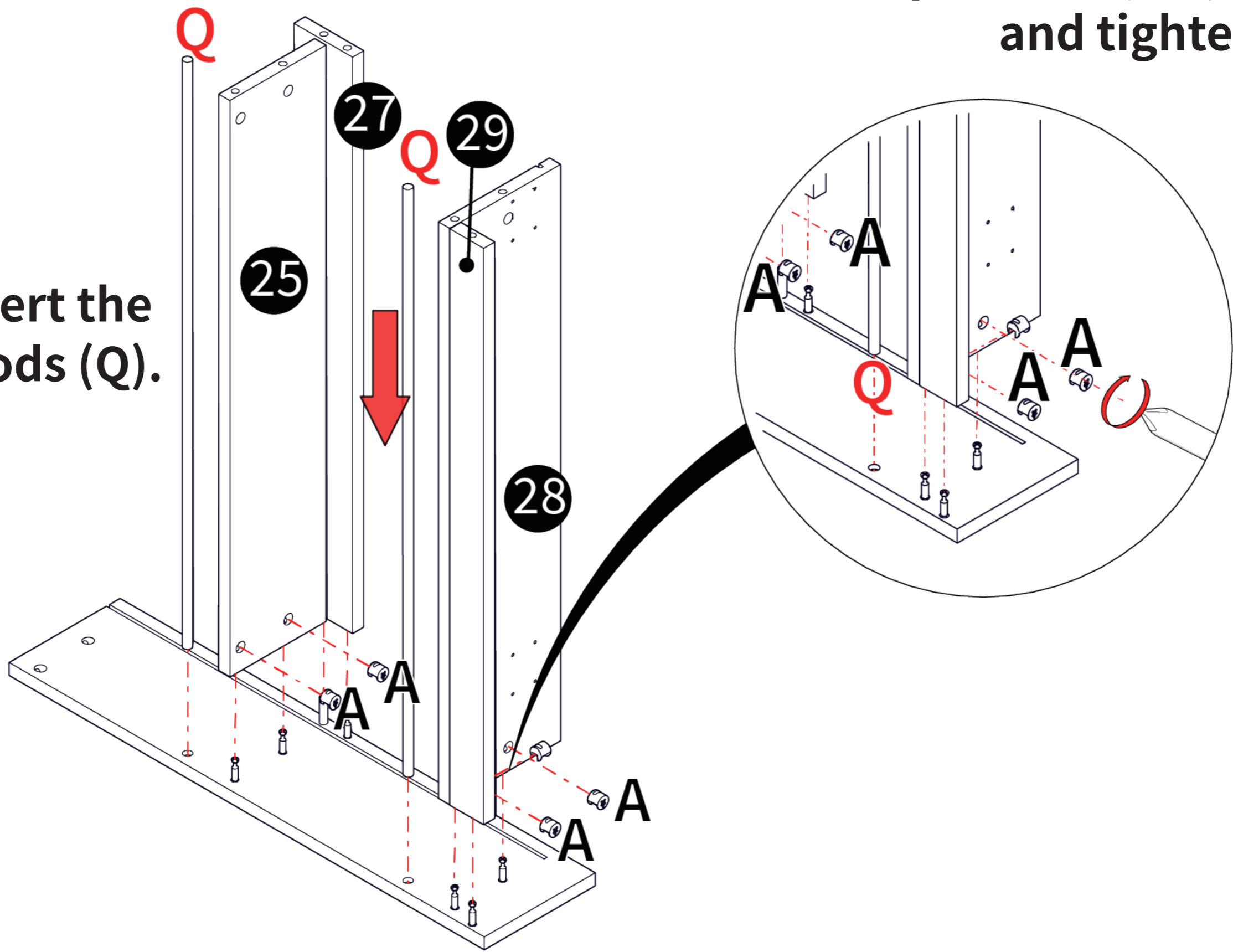


Rotate in the [+ ] direction

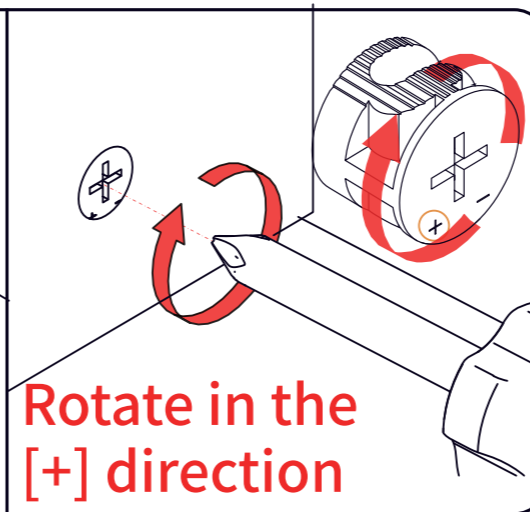
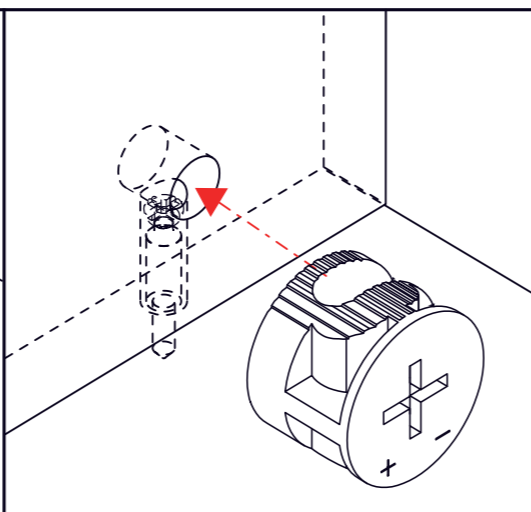
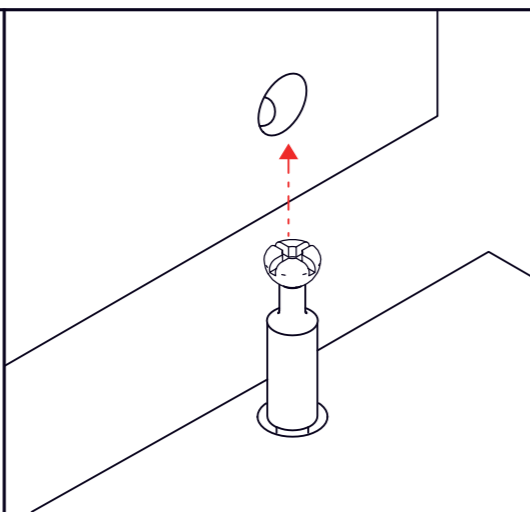
47

As shown in the figure, connect panels 25, 27, and 28 to panel 23, insert Cam wheels (A) into panels 18, 20, and 27, and tighten them.

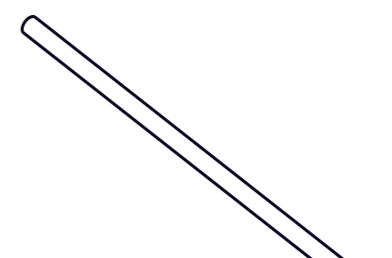
Then insert the metal rods (Q).



Cam wheel  
Diagram

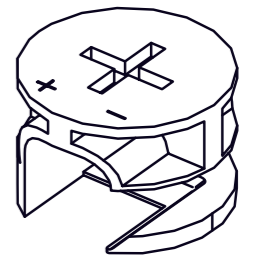


Q\*2



Metal rod

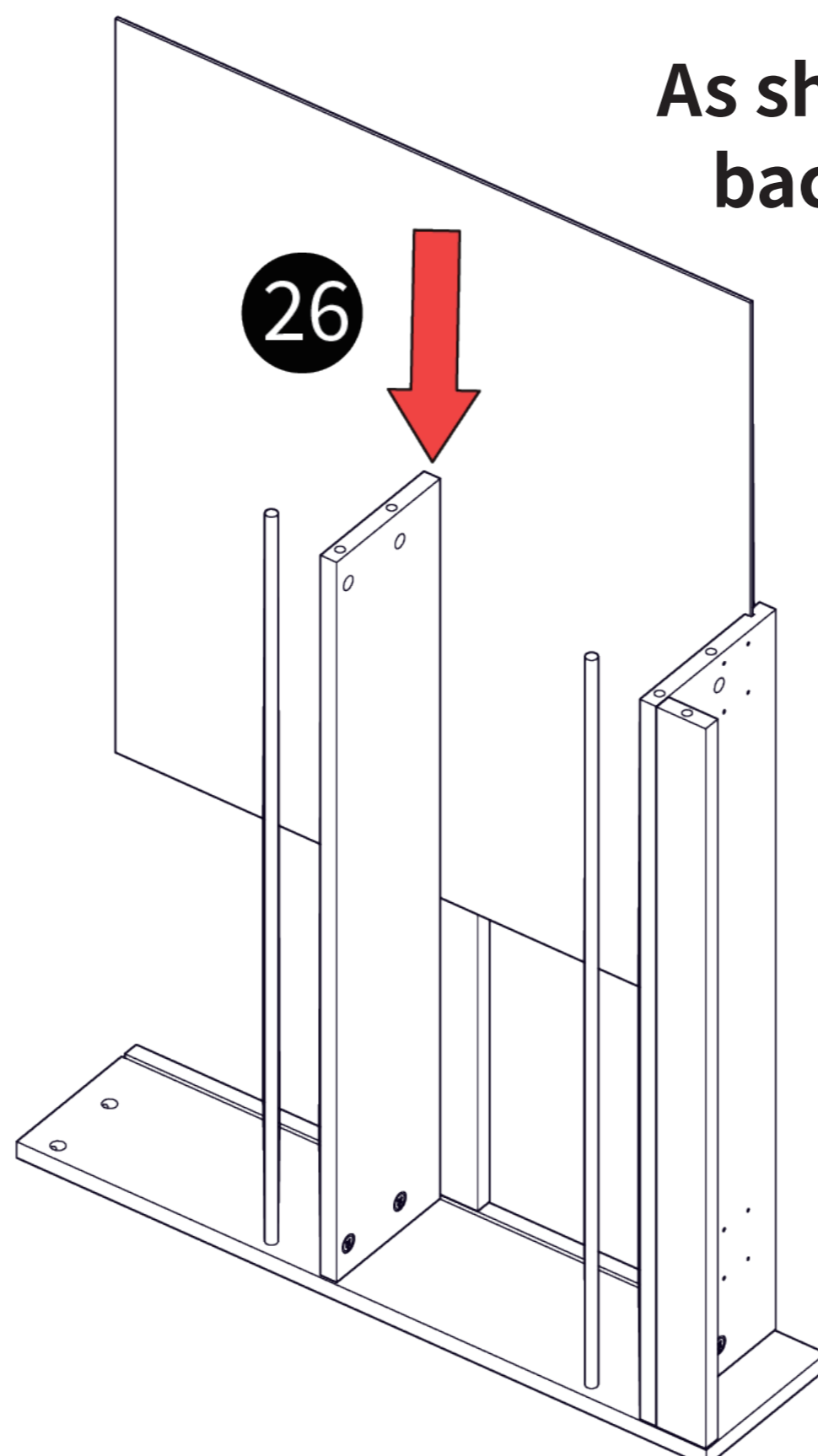
A\*6



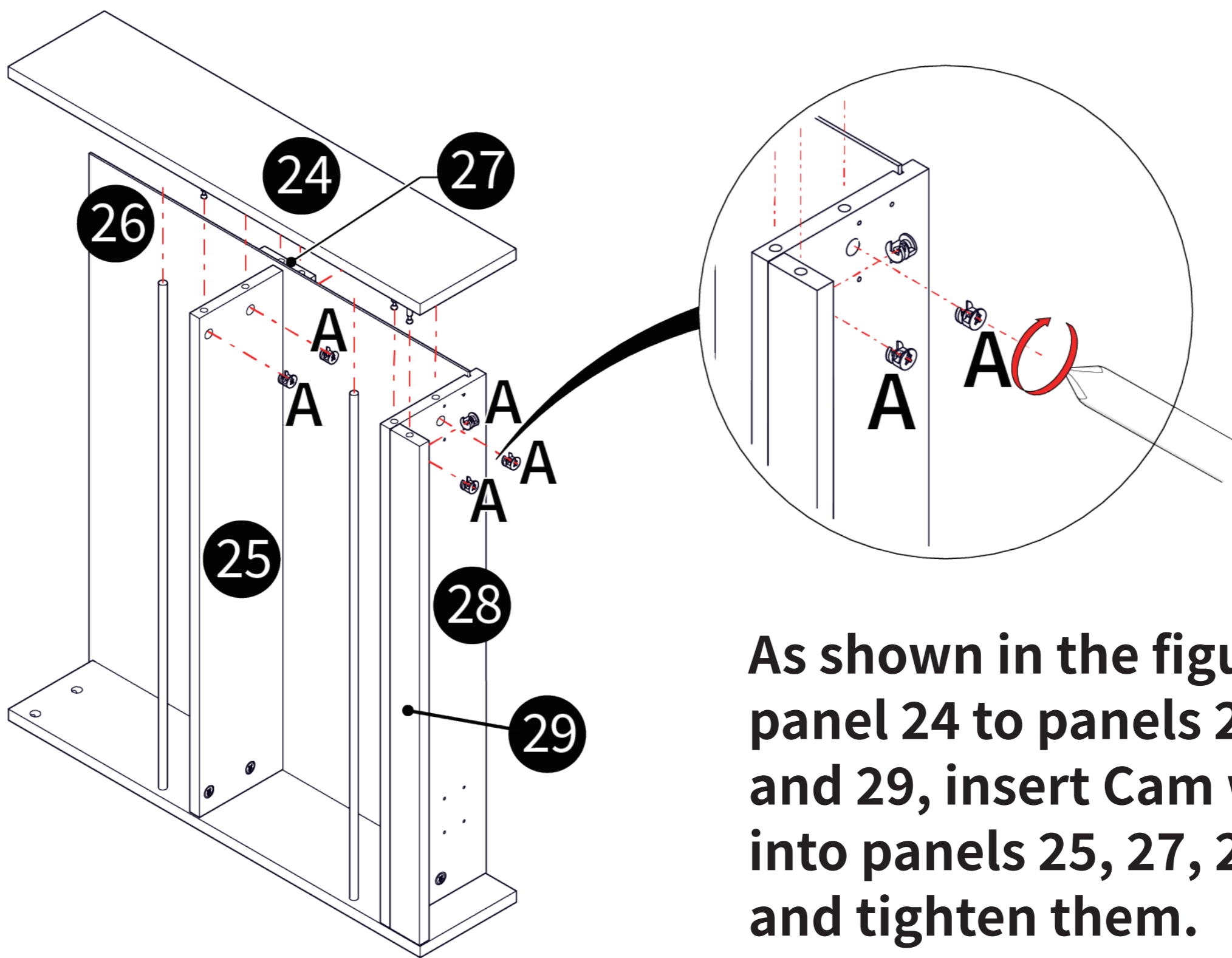
Cam wheel

48

As shown in the figure, insert the back panel 26 along the groove.



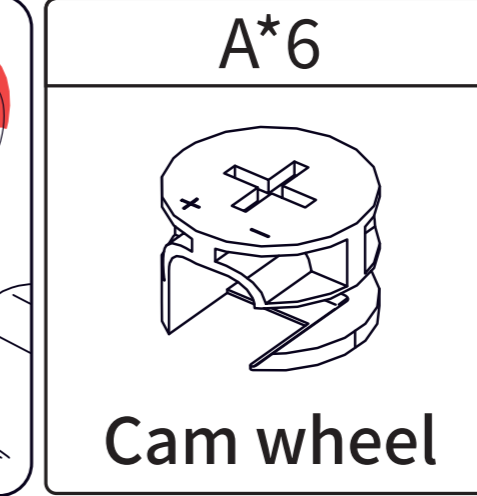
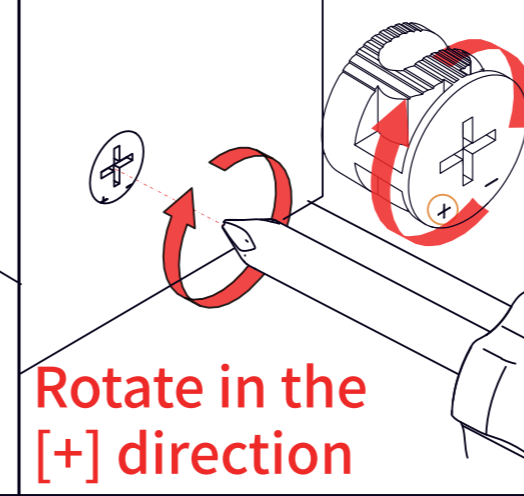
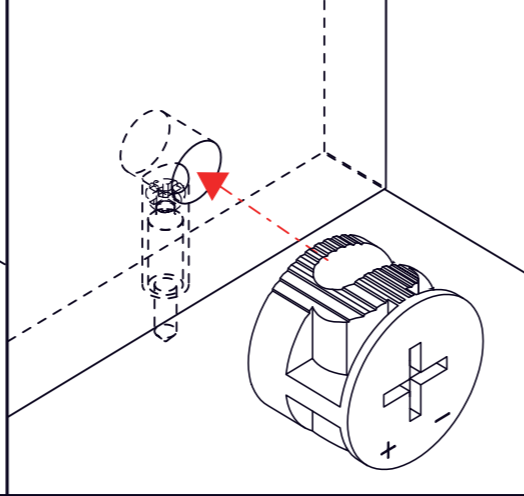
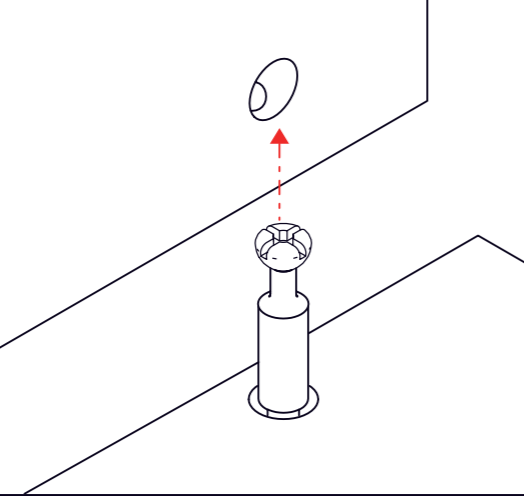
49



As shown in the figure, connect panel 24 to panels 25, 27, 28, and 29, insert Cam wheels (A) into panels 25, 27, 28, and 29, and tighten them.



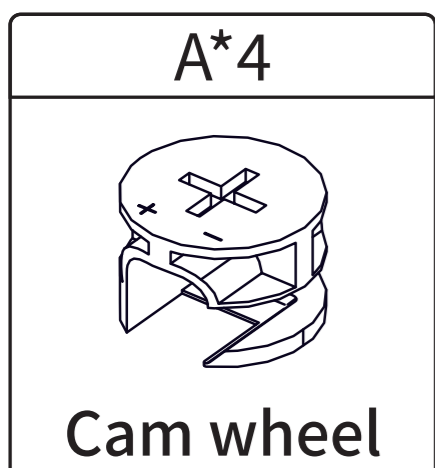
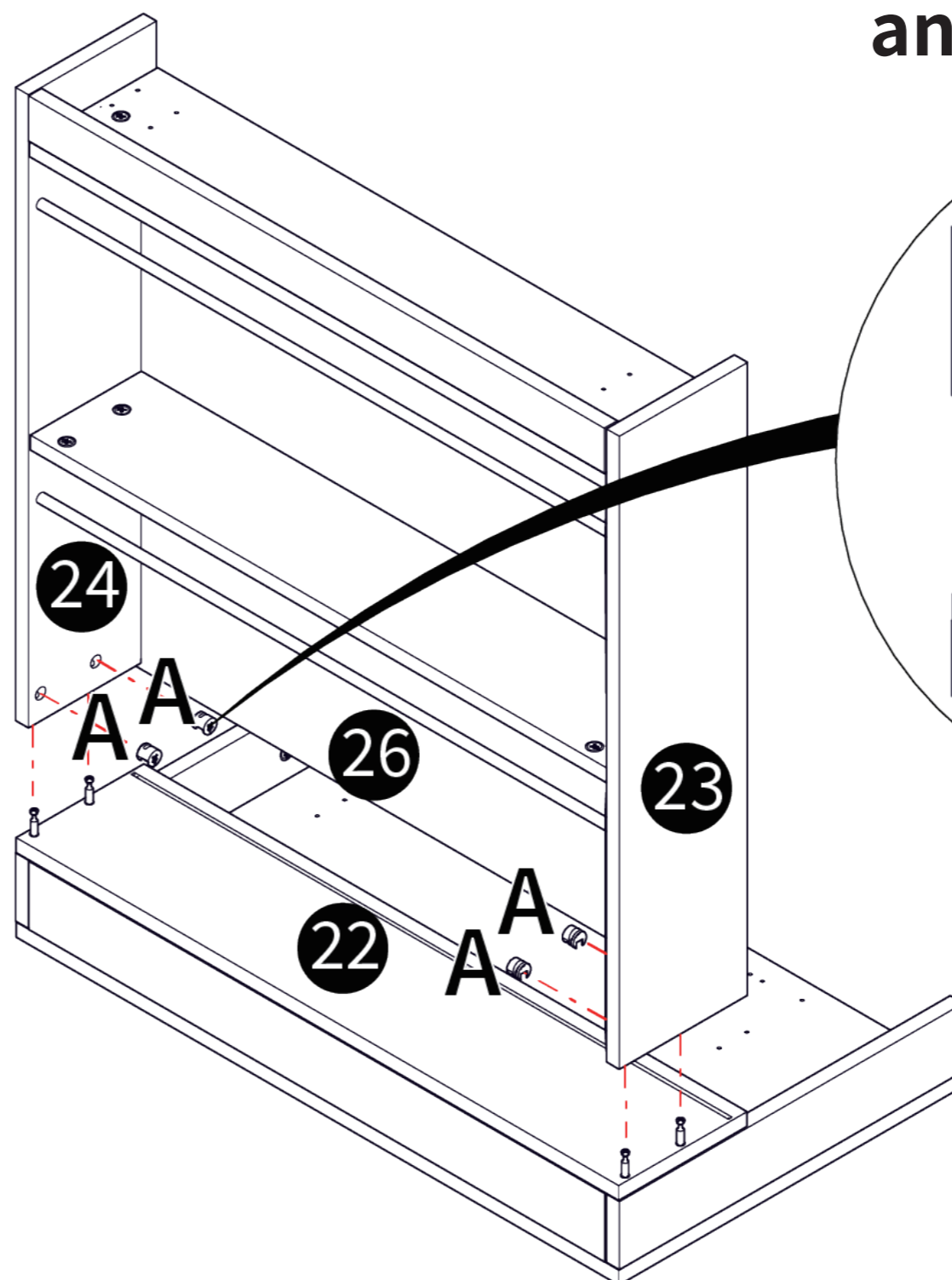
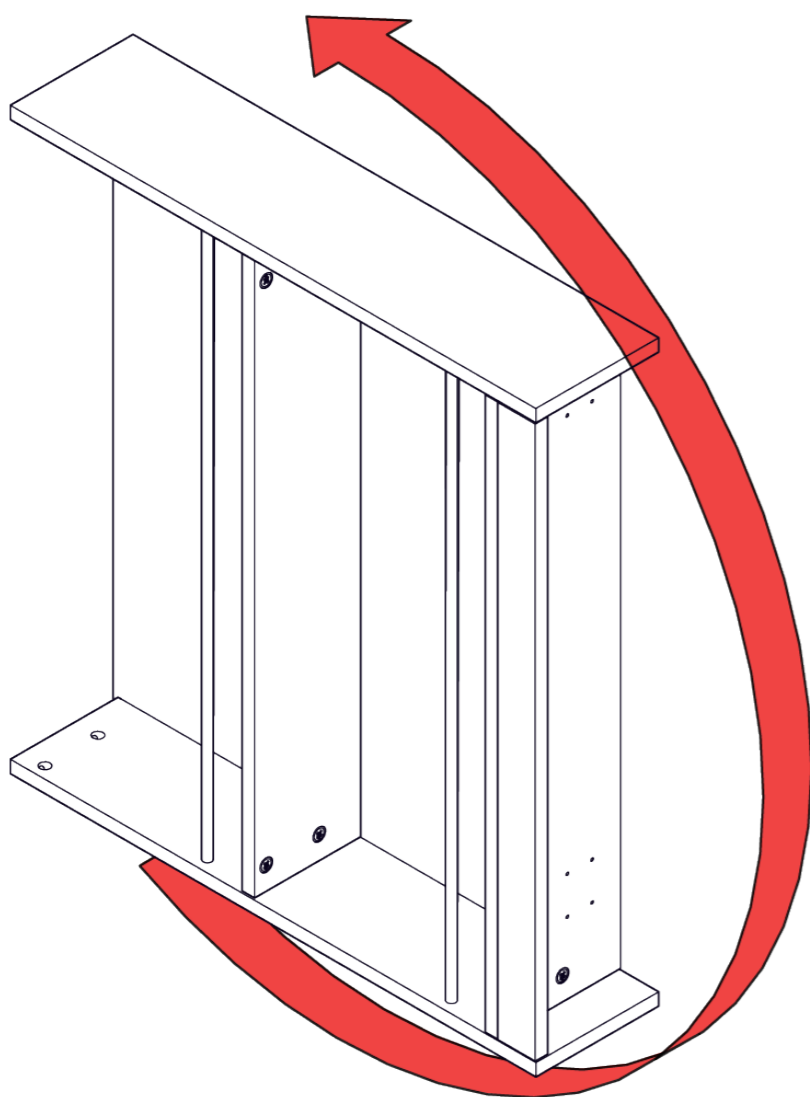
Cam wheel Diagram



50

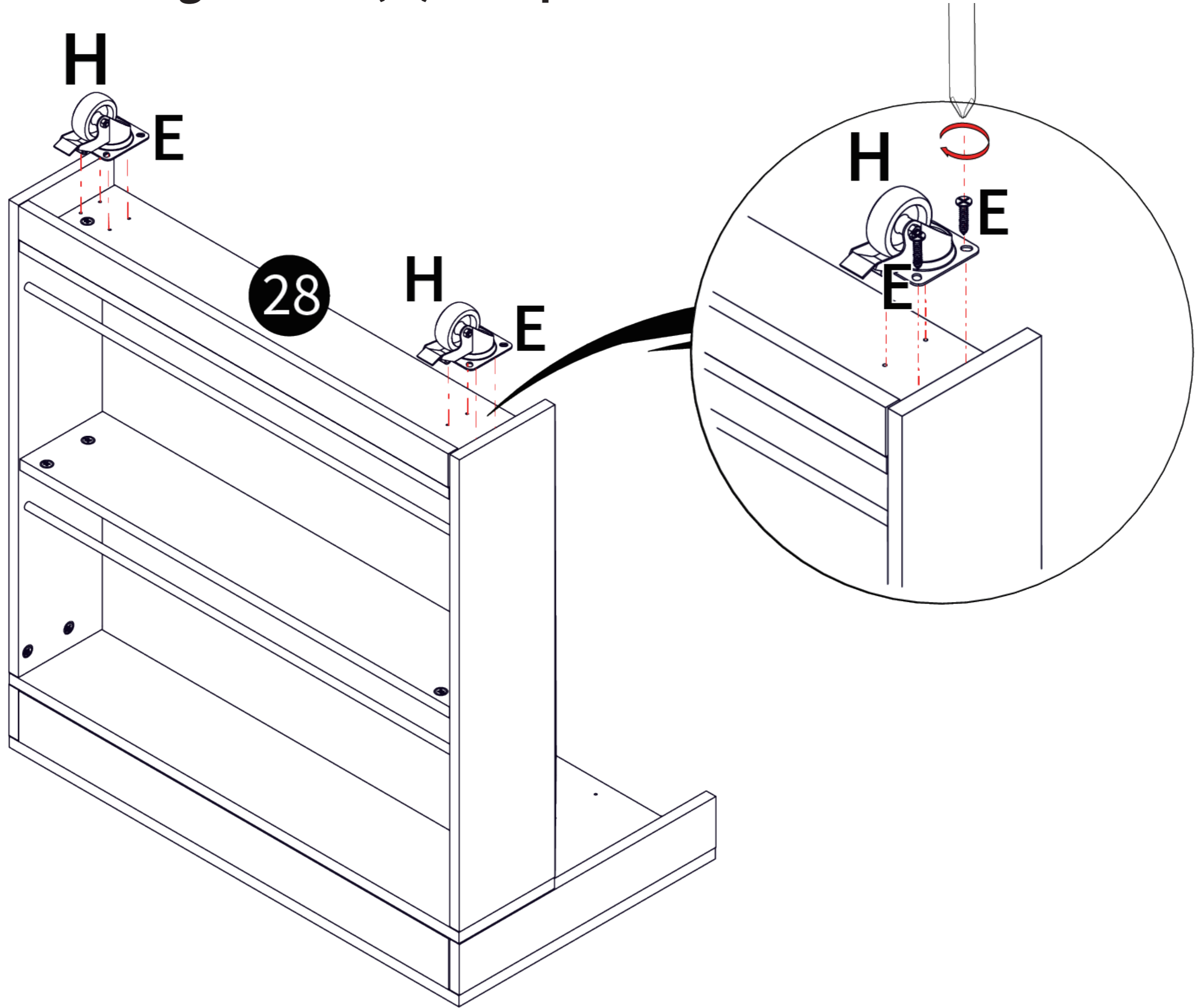
Then connect panels 23, 24, and 26 to panel 22, insert Cam wheels (A) into panels 23 and 24, and tighten them.

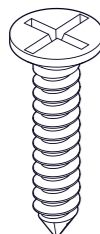
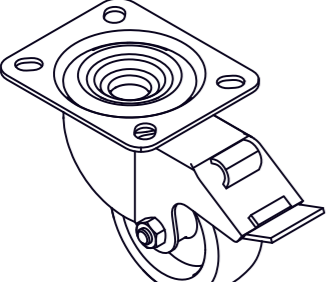
First, rotate the cabinet body by 90°.



51

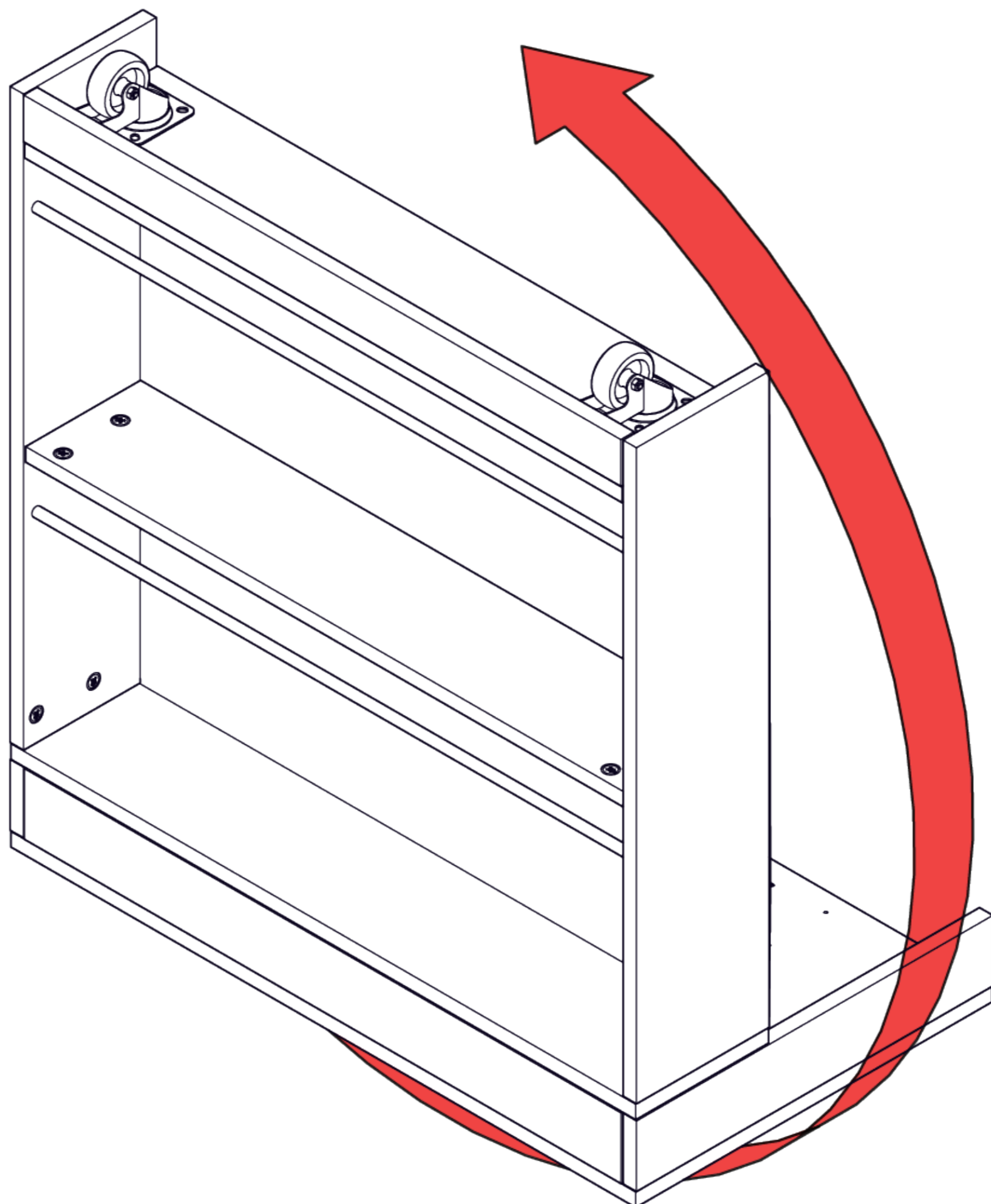
Screw the locking casters (H) into panel 28.



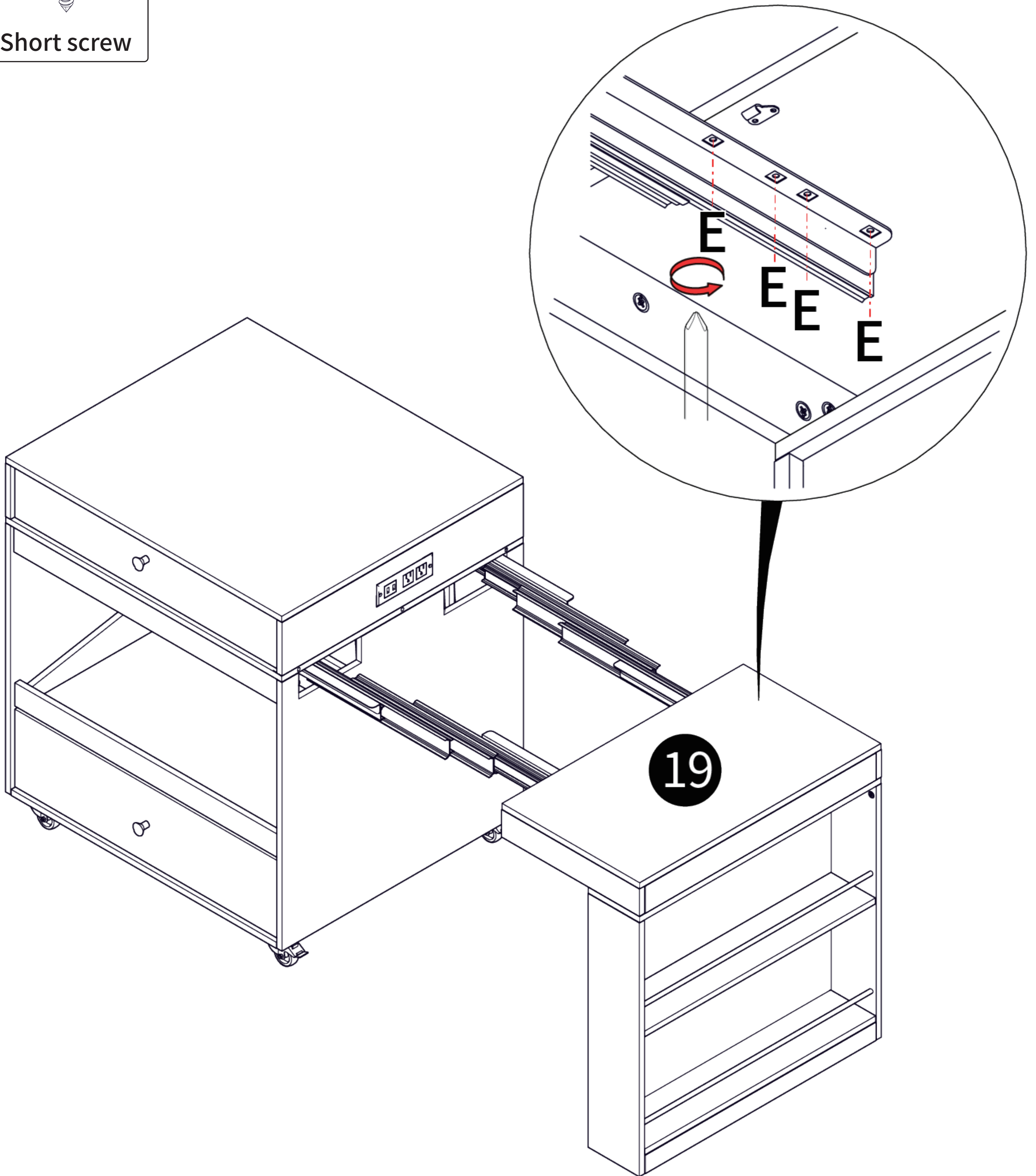
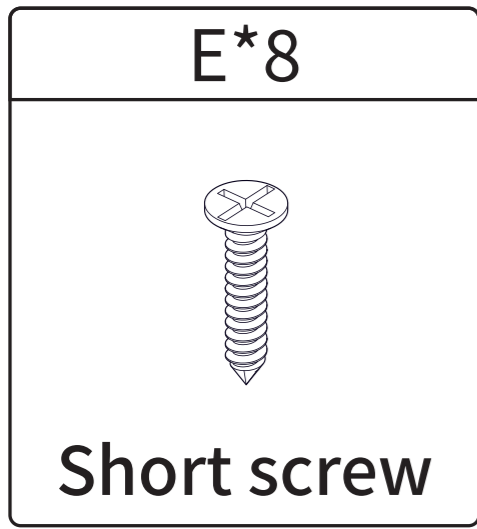
E*8

Short screws
H*2

Locking Caster

52

Rotate the cabinet body by 90°.

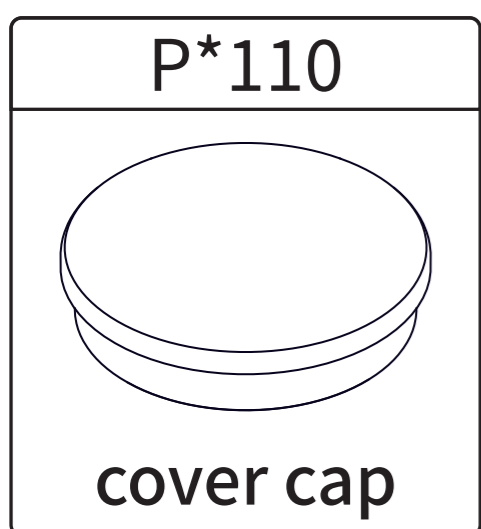
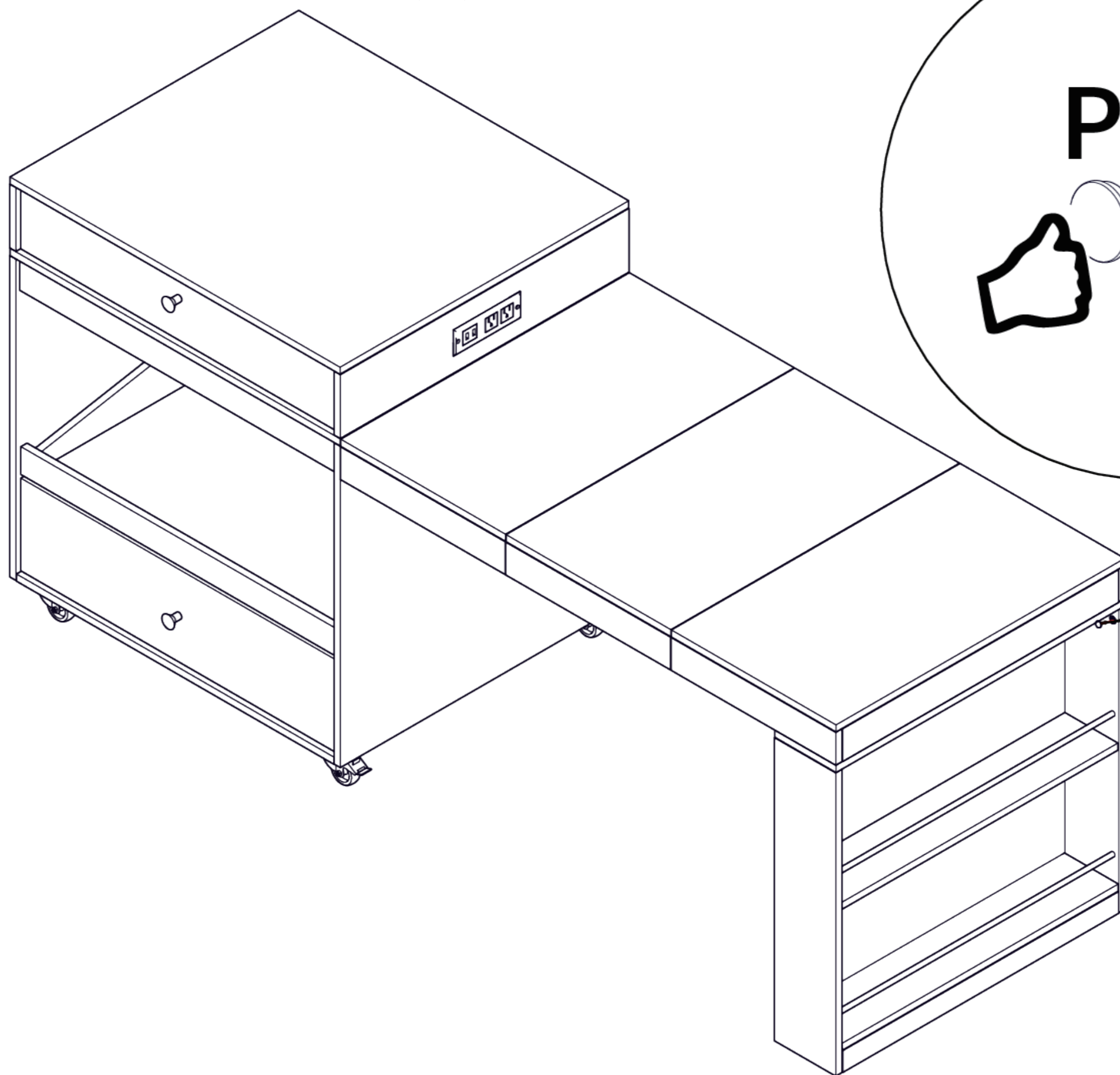


**53** As shown in the figure, use short screws (E) to fasten the drawer slides (XA) to the pilot holes on panel 19.



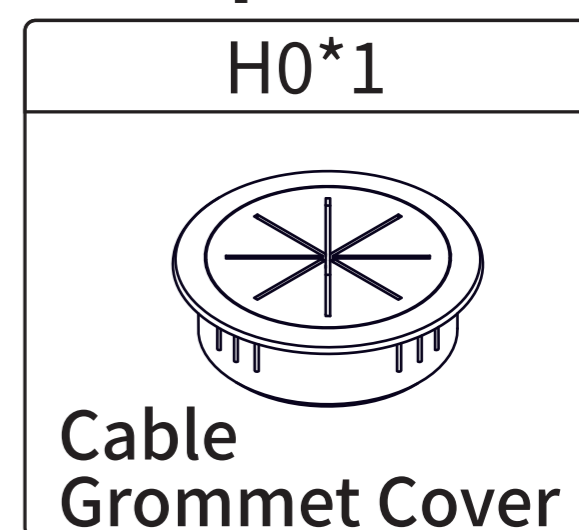
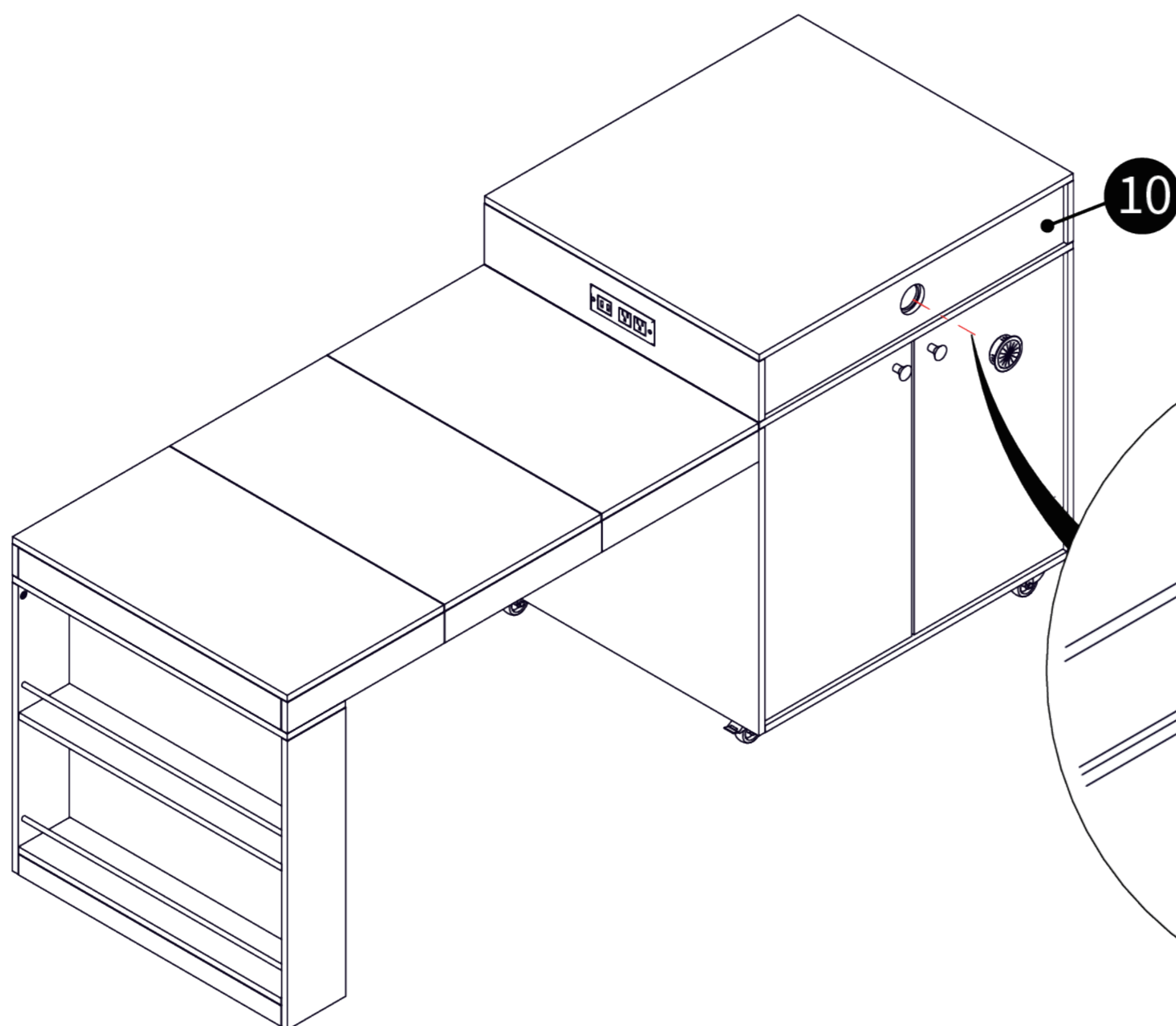
54

As shown in the figure, install the cover cap (P) onto the Cam wheels (A) of the cabinet.



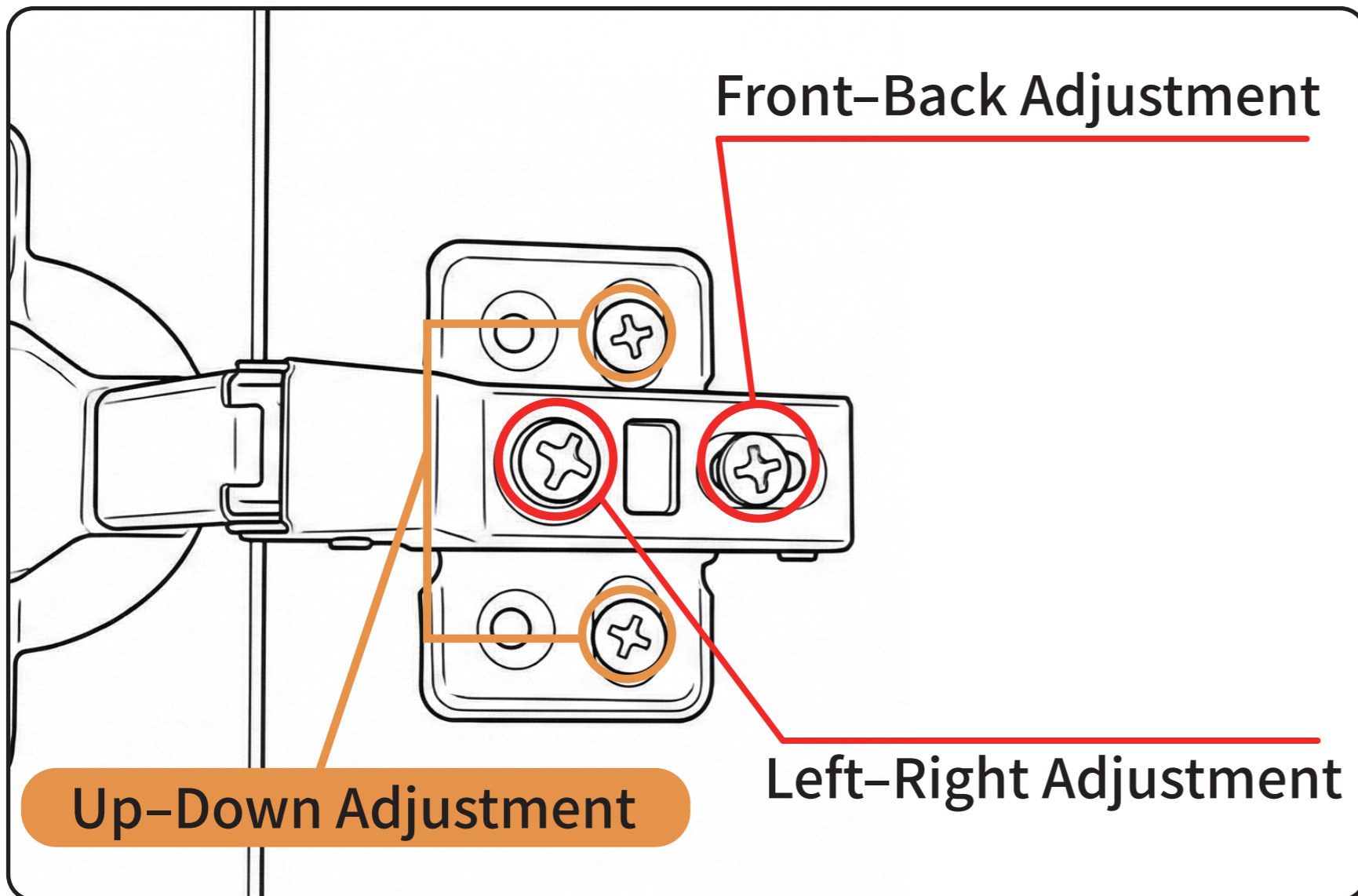
55

As shown in the figure, install Cable Grommet Cover (H0) into the holes on panel 10.

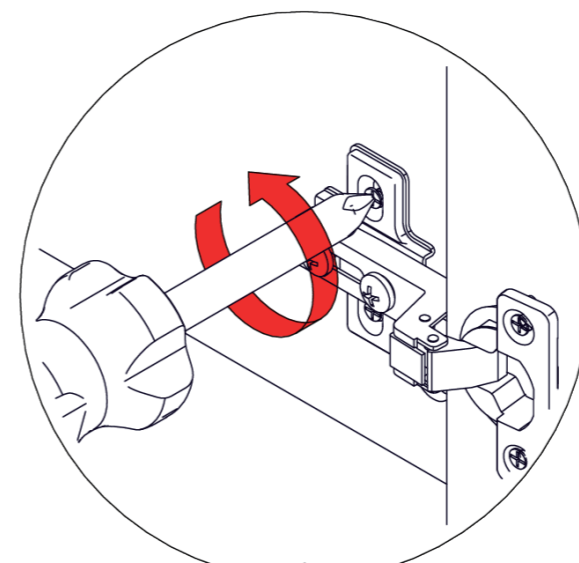


## Hinge Adjustment Method

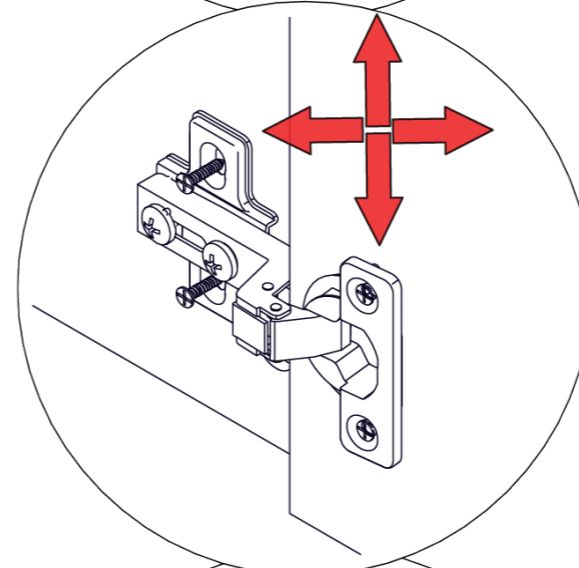
If any misalignment occurs after installation, adjust the screws to achieve the optimal position.



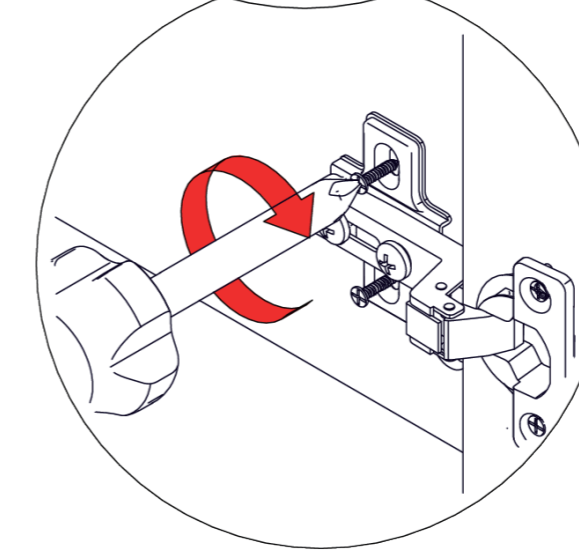
You can simply adjust the screws to change the overlay of the door panel relative to the side panel.



1. Loosen the fixing screw.



2. Adjust the corresponding screw position as needed.



3. After adjustment, tighten the short screw to secure it.

## After-sales service

⚠ If you have any questions after receiving the product, please scan the QR code immediately to contact us so we can help you resolve the issue.



After-sales QR code

✉ Email: [cs-omc@outlook.com](mailto:cs-omc@outlook.com)

📞 WhatsApp: +86 18688756013

## Return Guidelines

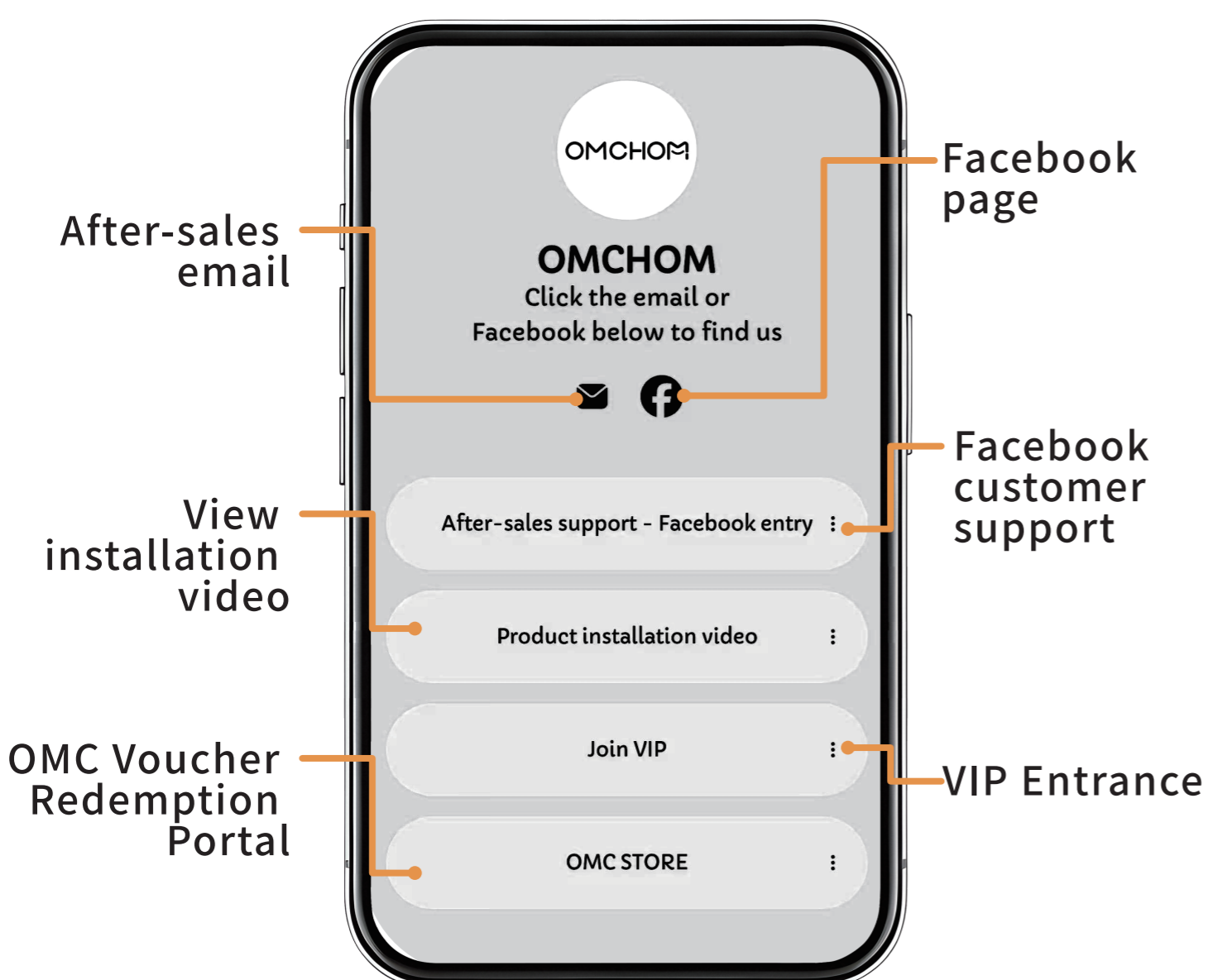


## Return and Warranty Policy

1. If any parts are damaged or missing during installation, please contact us for replacement.
2. If you encounter any product problems during use, please contact us immediately.

### Important Reminders:

1. Please be sure to keep the original product packaging for at least 30 days.
2. If you need to return the item, please disassemble all the accessories completely and send us photos for confirmation.
3. After taking photos, please pack all accessories completely and return them. You must contact us before returning the items.



# omc




Global Operator for Brand Expansion



## OMCHOM

After-sales QR code

 Email: [cs-omc@outlook.com](mailto:cs-omc@outlook.com)

 WhatsApp: +86 18688756013