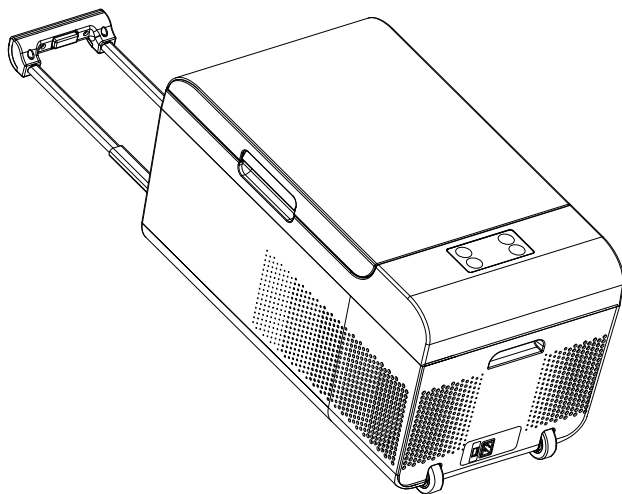




# **TAILGATE REFRIGERATOR**

**Model - PFF 07**



## **OWNER'S MANUAL**

---

Read the instructions carefully and keep for future reference

## Warranty

---

Equator Appliances undertakes to the consumer-owner to repair or, at our option, to replace any part of this product which proves to be defective in workmanship or material under normal personal, family or household use, in USA and Canada, for a period of one year from the date of original purchase. During this period, we will provide all labor and parts necessary to correct such defect, free of charge, if the appliance has been assembled and operated in accordance with the written instructions with the appliance.

## Exclusions

In no event shall Equator Appliances be liable for incidental or consequential damages or for damages resulting from external causes such as abuse, misuse, incorrect voltage or acts of God. This warranty does not cover service calls which do not involve defective workmanship or materials covered by this warranty. Accordingly, diagnosis and repair costs for a service call which does not involve defective workmanship or materials will be the responsibility of the consumer-owner.

**Specifically, the following work is not covered under warranty and does not constitute warranty work:**

**Operation - e.g. Using in confined space, blocking ventilation**

**Maintenance - e.g. cleaning appliance using solvents**

**Mishandling - e.g. breakage of handle and wheels**

Most work is covered. The defining factor is, has the machine malfunctioned (Equator Appliances is responsible) or has the customer omitted or done something to cause the appliance to malfunction (customer is responsible). Some States do not allow the exclusion or limitation of incidental or consequential damages, so the above limitation or exclusion may not apply to you.

## WARRANTY SERVICE

---

This warranty is given by:

### **Equator Appliances**

10216 Georgibelle Drive, Suite 900D  
Houston, Texas 77043-5249

### **For Customer Service:**

#### **Appliance Desk**

Phone/Text: 1-800-776-3538

Email: [service@ApplianceDesk.com](mailto:service@ApplianceDesk.com)

Web: [www.ApplianceDesk.com](http://www.ApplianceDesk.com)

Business hours: 9:00 am to 5:00 pm weekdays

You can register your Warranty by any of the following methods:

1. Mail in the Warranty Registration Card
2. Register online at [www.ApplianceDesk.com](http://www.ApplianceDesk.com)
3. Scan the QR Code



## GENERAL

---

Since it is a responsibility of the consumer-owner to establish the warranty period by verifying the original purchase date, Equator Appliances recommends that a receipt, delivery slip or some other appropriate payment record be kept for that purpose.

This warranty gives you specific legal rights, and you may also have other rights which vary from State to State.

*All rights reserved. Manual subject to change without notice.*

## **Safety**

Do not store explosive substances such as aerosol cans with a flammable propellant in this appliance.

Do not transport caustic materials or solvents in the appliance.

Ensure that the refrigerant circuit is not damaged.

Keep ventilation openings clear of obstructions.

When positioning the appliance, ensure the electrical cord is not tangled or damaged.

Do not place multiple portable socket-outlets at the rear of the appliance.

Never unplug the appliance by pulling on the power cord. Grip the plug firmly and pull straight out to remove from wall socket.

Do not use a damaged power cord.

Do not use an extension cord.

Do not use mechanical devices or sharp tools to accelerate the defrosting process. Never immerse the appliance in water.

Never handle plugs and switches with wet hands or if you are standing on a wet surface.

Children should be supervised to ensure that they do not climb on or play with the appliance.

This appliance is not intended for use by persons (including children) with reduced physical, sensory or mental capabilities, or lack of experience and knowledge, unless they have been given supervision or instruction.

## **Safe Disposal**

Before discarding the appliance, remove the cover in order to prevent risk of child entrapment.

Please dispose of this appliance in accordance with local regulations.

# Description

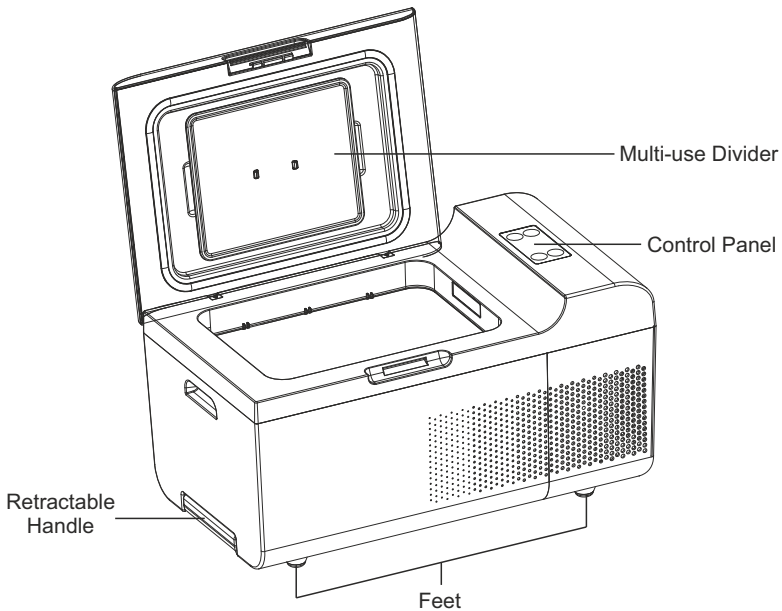
The Portable Fridge Freezer (PFF) can be used as a refrigerator or as a freezer and can be used in homes, cars, trucks, RVs and boats. The retractable handle and sturdy wheels make it easy to transport.

A maintenance-free refrigerant circuit with a compressor provides the cooling function.

Place the appliance out of direct sunlight and away from sources of heat and high humidity.

Keep the ventilation opening away from walls and other obstructions.

The PFF comes equipped with a multi-use divider, which is stored under the cover. It can be used as a divider inside the unit and can also be used as a cutting board.



Check the plug and cable before you connect the power and ensure it is 110 voltage.

Only connect the device as follows:

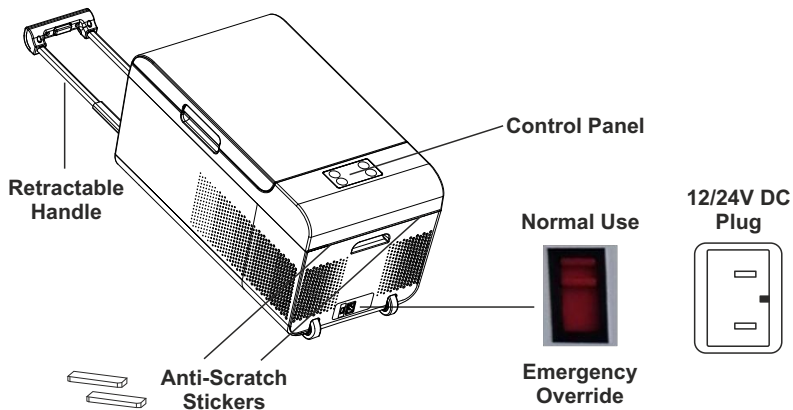
- With DC cable to a 12/24V plug socket in a vehicle (e.g. cigarette lighter)
- With AC power supply connection cable to AC mains supply

When connected to the DC socket, disconnect it or turn Power off when the engine is turned off, to prevent discharge of the battery.

There is an Emergency Override switch on the side of the PFF. If an electronic failure occurs, push down the switch from “Normal Use” to “Emergency Override” mode.

The PFF switches off automatically at low battery voltage.

If the PFF is operating with battery power supply and if the battery voltage is low, the display will automatically shut off and the error code “E1” will be displayed.



Apply the two Anti-Scratch Stickers made of silicone that are provided in order to protect the exterior of the PFF.

## **Operation**

Before using the PFF for the first time, clean the inside compartment with a damp cloth and mild detergent.

Store food in appropriate packaging and containers to ensure that raw meat does not come in contact with other foods.

## **Connecting to a battery (vehicle or boat)**

The PFF can be operated with any 12/24V DC portable battery station.

Disconnect the PFF and other consumer units from the battery before you connect the battery to a charging device. Overvoltage can damage the electronics of the device.

For safety reasons the PFF is equipped with an electronic system to prevent polarity reversal. This protects it against short-circuiting when connected to a battery.

Plug the 12/24V connection cable into the DC voltage socket or into a 12V cigarette lighter socket.

If connecting PFF to an external portable battery, the battery should be at least 60W with output of 11V-16V.

## **Connecting to 100 ~ 240V AC power supply mains (e.g. at home)**

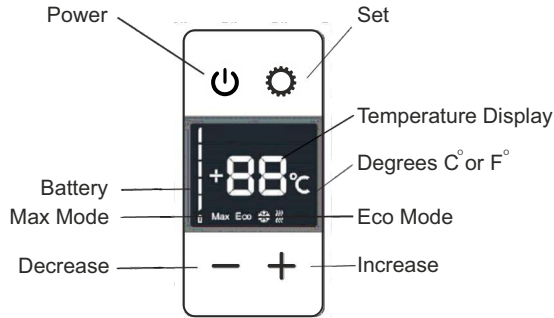
Plug the 100 ~ 240V connection cable into the 100 ~ 240V AC voltage mains and the AC power supply's output end connection into PFF's socket.

If using the PFF on board a boat from a mains AC power supply connection of 100 ~ 240V, install a surge protector between 100 ~ 240V AC mains and the PFF.

# Control Panel

The temperature range of the PFF is 0°F (-18°C) to 50°F (10°C).

- The range for refrigeration is: 32°F (0°C) to 50°F (10°C).
- The range for freezing is: 0°F (-18°C) to 32°F (0°C).



Press the Power button to turn the PFF on and off.

The Set button is used for:

- Temperature
- Celsius or Fahrenheit selection
- Max or Eco mode
- Battery monitor

## Setting Temperature

Press the Set button one time to input the desired temperature.

The + and – buttons enable selection of the temperature by increasing or decreasing in one degree increments.

The Display Window shows the selected temperature.

## Setting Eco or Max mode

Max mode provides fast cooling.

Eco mode provides energy saving

- Press the Power button to turn on.
- Press the Set button 2 times.
- Press + and – buttons to select Max or Eco

## Using the Battery Monitor

The PFF is equipped with a multi-level Battery Monitor that protects your vehicle battery against excessive discharging when the device is connected to the on-board 12/24 V supply.

If the PFF is operated when the vehicle's ignition is switched off, the PFF switches off automatically as soon as the supply voltage falls below a set level. The PFF will switch back on once the battery has been recharged to the restart voltage level.

Select the Battery Monitor Mode based on the following table:

<b>Battery Monitor Mode</b>	<b>H1</b>	<b>H2</b>	<b>H3</b>
Switch-off voltage at 12 V	10.1 V	11.4 V	11.8 V
Restart voltage at 12 V	11.1 V	12.2 V	12.6 V
Switch-off voltage at 24 V	21.5 V	22.5 V	23.0 V
Restart voltage at 24 V	23.0 V	24.0 V	24.5 V

- Press the Power button to turn on.
- Press the Set button 3 times.
- Press + and – buttons to select H1, H2 or H3.

### NOTE:

When Power to PFF is supplied by the starter battery of a car, select the battery monitor mode “H3”. If the PFF is connected to a supply battery, the battery monitor mode “H1” will suffice.

If you operate the PFF from an AC power supply, set the battery monitor to “H1”.

## Defrost

Do not use sharp tools to defrost and remove ice.

- Remove all the food and beverage items.
- Switch off the unit.
- Leave the cover slightly open.  
Wipe off defrosted water.

## **Replacing the Plug Fuse (12/24V)**

- Pull off the adapter sleeve of the plug.
- Unscrew the screw from the upper half of the housing.
- Carefully raise the upper half of the housing from the lower half.
- Take out the contact pin.
- Replace the defective fuse with a new one that has the same rating.
- Re-assemble the plug in the reverse order.

## **Replacing the PCB Light Blub**

- Shut off the power supply.
- Carefully pry out the plastic light cover with a Flathead screwdriver.
- Unscrew the PCB mounting screws.
- Pull out the PCB.
- Replace with a new PCB.
- Fit the screws in with a screwdriver.
- Press the transparent part of the lamp back into the housing.
- Connect the power supply to the PFF.

## **Maintenance**

Ensure the power cord is unplugged before moving or cleaning the appliance.

Clean the outside and inside of the appliance regularly, using a damp cloth and mild detergent.

Do not use abrasive materials to clean.

Do not wash under running water or immerse the PFF in water.

If turning Off the PFF for long periods of time:

- Remove all the food and beverage items.
- Switch off the unit.
- Pull out the power cable connection.
- Leave the cover slightly open to prevent odors.

## Troubleshooting

<b>Problem</b>	<b>Possible Cause</b>	<b>Solution</b>
Not Working	There is no voltage in the 12/24V socket (cigarette lighter) in vehicle.	The vehicle ignition must be on to apply current.
	No voltage present in the AC voltage socket.	Try using another plug socket.
Not Cooling	Battery voltage is too low.	Test the battery and charge it as needed.
	When operating from 12/24V socket (cigarette lighter), it may have debris resulting in poor electrical contact.	Clean debris from socket.

In addition to the Troubleshooting table above, the following Error Codes may display on the appliance. For some of the Error Codes, please call Customer Service for help.

<b>Error Code</b>	<b>Explanation</b>
E1	Battery voltage too low – Charge battery
E2	Defective Fan
E3	Defective compressor
E4	Defective PCB (Printed Circuit Board)
E5	High temperature protection – Ensure vents are not blocked.
E6	Defective NTC (Negative Temperature Coefficient)

## Technical Specifications for PFF 07

Model	PFF 07
Capacity	0.7 cu.ft
Rated Voltage	DC 12V / 24V
Rated Current	4.2 A / 2.1a
Rated Power	50 W
Refrigerant	R134a
Working Temperature	0°F - 50°F
Weight Net / Gross	27.5 / 30.8 lbs
Product Dimensions (HxWxD)	12.6 x 22.4 x 12.7 (inch)
Packaging Dimensions (HxWxD)	15.6 x 25.4 x 15.7 (inch)

### California Proposition 65

WARNING: This product contains chemical known to the State of California to cause cancer and birth defects or other reproductive harm.