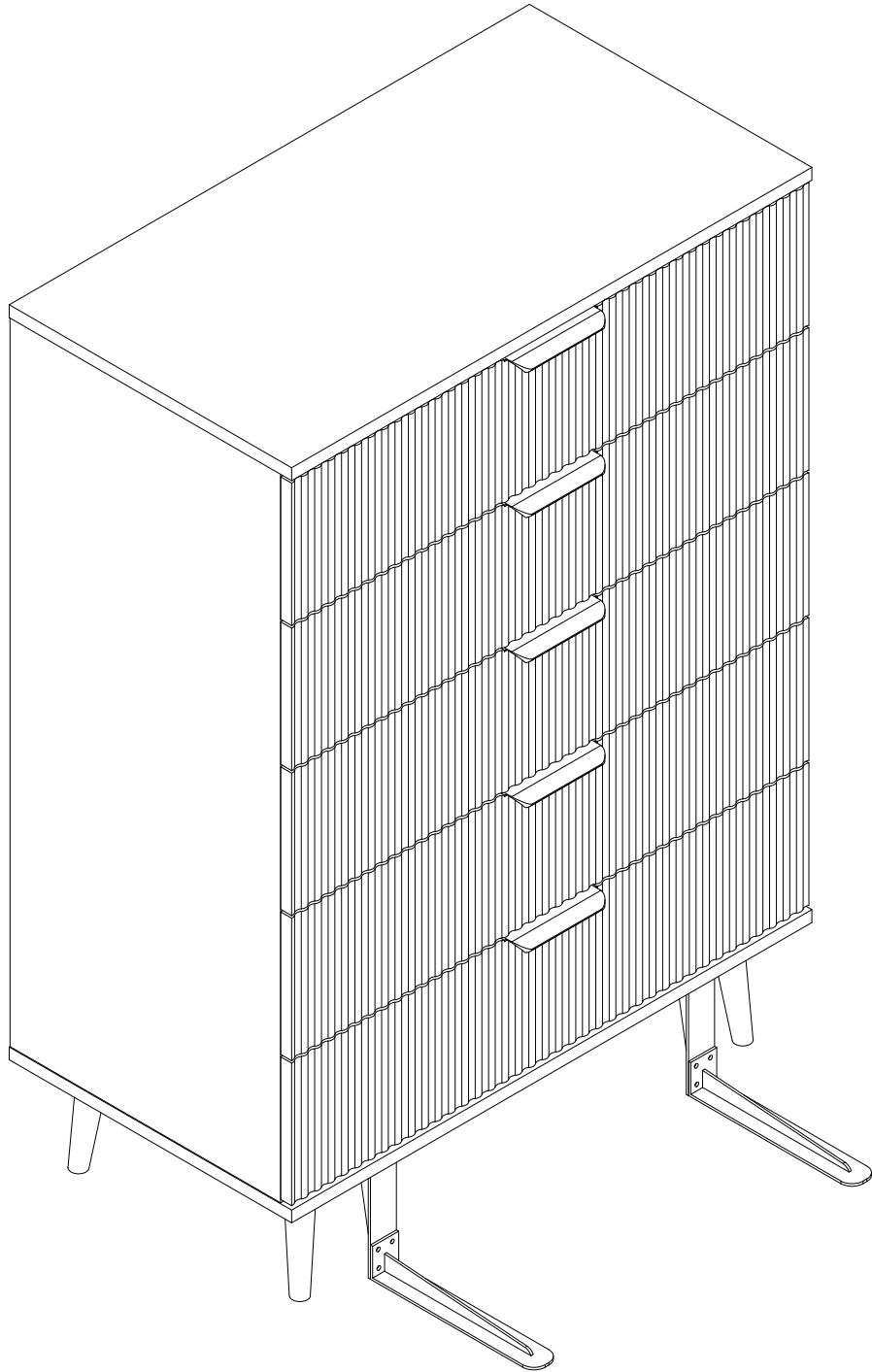
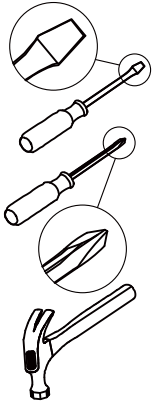


ASSEMBLY INSTRUCTION



Before You Start



- ✓ Read through each step carefully and follow the proper order
- ✓ Separate and count all your parts and hardware, If Parts are missing defective or having wrong parts in package, or Board Surface is broken, scratched or lack of some screw holes. You can contact us and we will get back to you within 24 hours. Or, you can reach us via after-sales email.
- ✓ Give yourself enough room for the assembly process
- ✓ Caution: If using a power drill or power screwdriver for screwing, please pay attention to slow down and stop when screw is tight. Failure to do so may result in stripping the screw. (Assembly speed can be increased by using electric screwdriver)

Helpful Hints

PEOPLE NEEDED FOR ASSEMBLY: 2

- Open your item in the area you plan to keep it to avoid excessive heavy lifting.
- Identify, sort and count the parts before attempting assembly.
- Do not make the screws too loose or too tight.
- The accessory bag contains some small accessories, which should be kept away from children.
- The remaining parts are spare parts.
- Do NOT use harsh chemicals or abrasive cleaners on this item. And Never push, pull, or drag your furniture.
- Young children can be seriously injured by tipping furniture. You must install the tipping restraint hardware with the unit (No. F) to prevent the unit from tipping, causing any accidents or damage. the tipping restraints are intended only as a deterrent, they are not a substitute for proper adult supervision.
- Note: Do not open more than 2 drawers at the same time without install the tipping restraint hardware, otherwise there is a risk of tipping.



Product Installation Video

Please scan this QR code with your cell phone YouTube to watch the installation video instantly.



Need Help With Your Furniture?

When missing parts? Or feeling stuck? you can contact us by scanning the QR code below or via after-sales email (VIPService68@outlook.com), we will reply you in time.

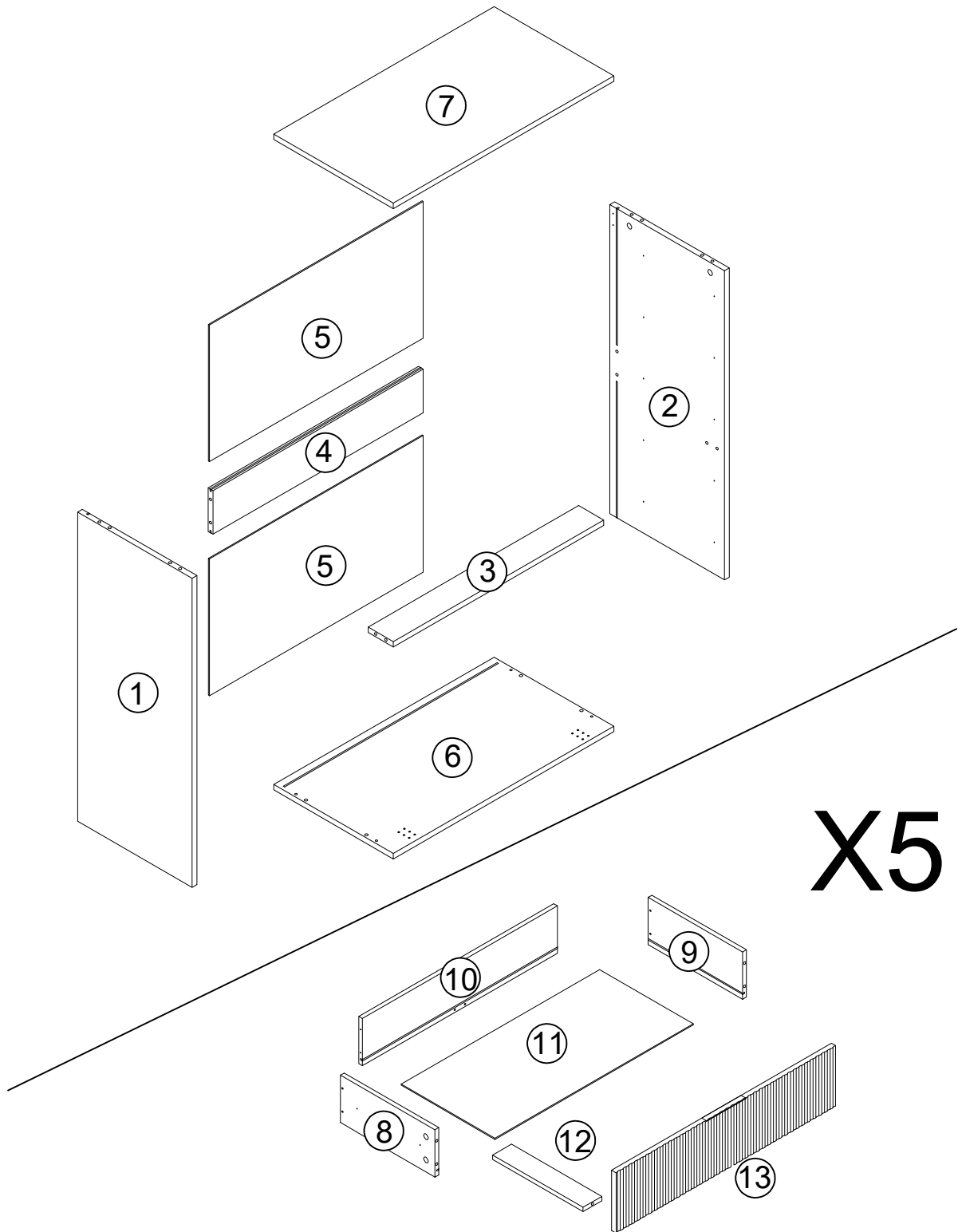
**FREE REPLACEMENT
PARTS AVAILABLE!**



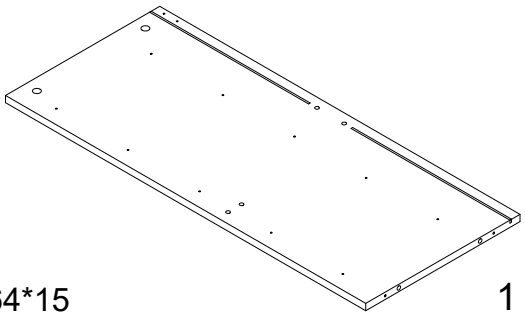
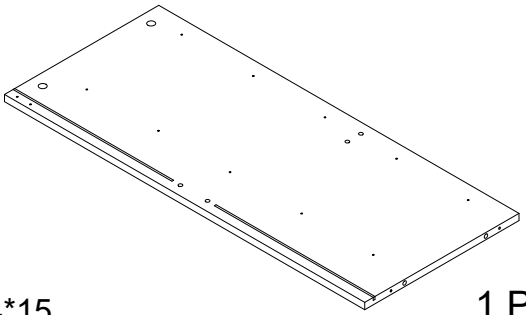
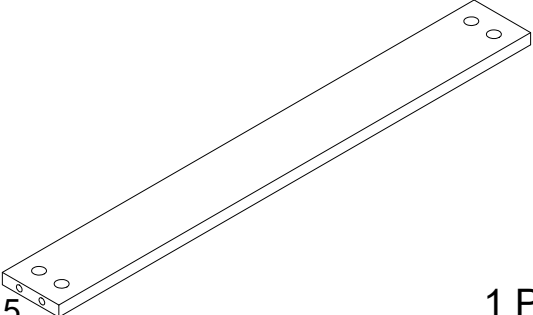
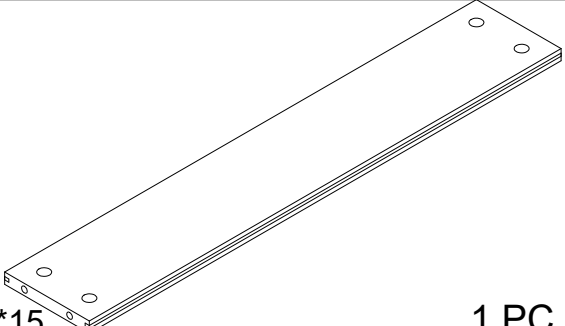
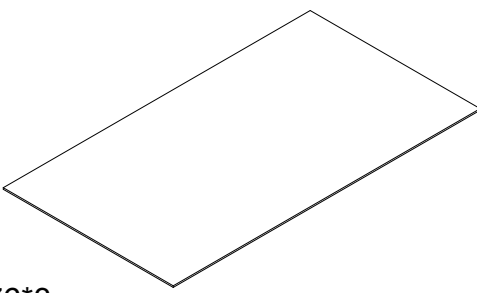
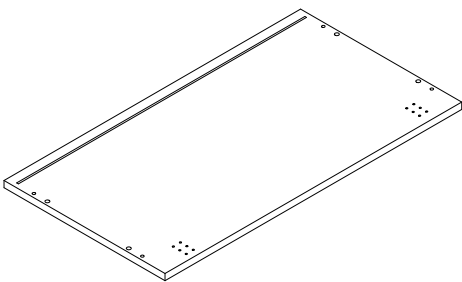
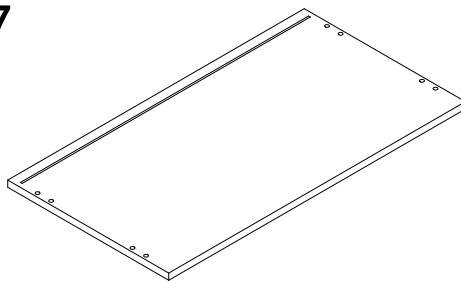
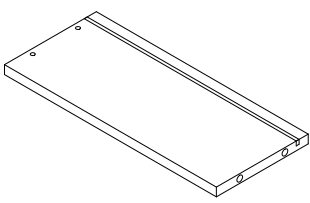
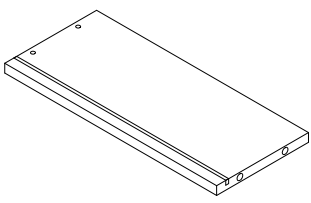
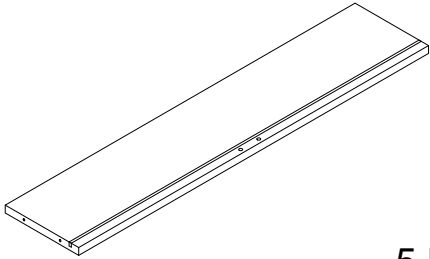
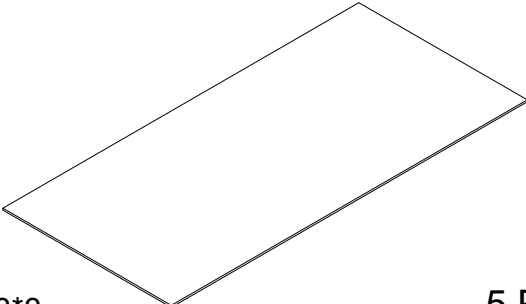
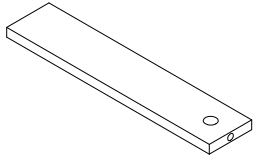
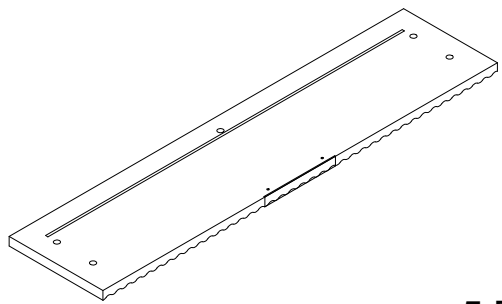
This Is A Challenge For You !

Putting furniture together can feel tricky at first,
but why not give it a shot?

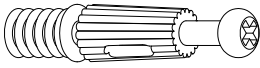
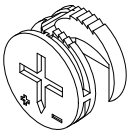

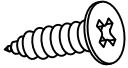
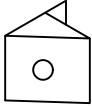
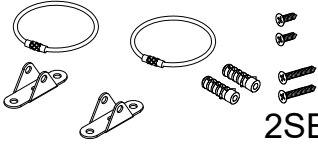
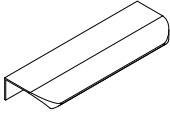
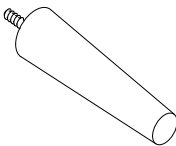
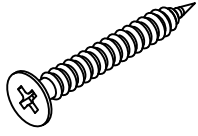
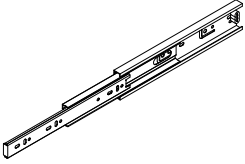
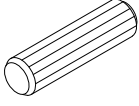
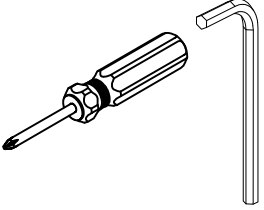
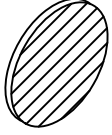
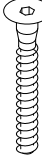
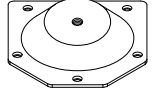
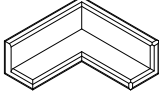
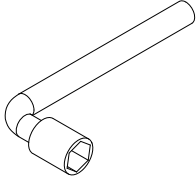
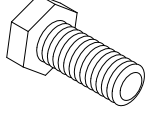
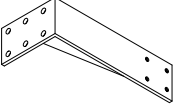
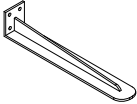
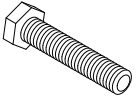
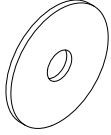
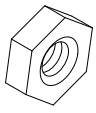
Once you' re done, you' ll see it' s not as hard as it looks
—and your family or friends might even be impressed!



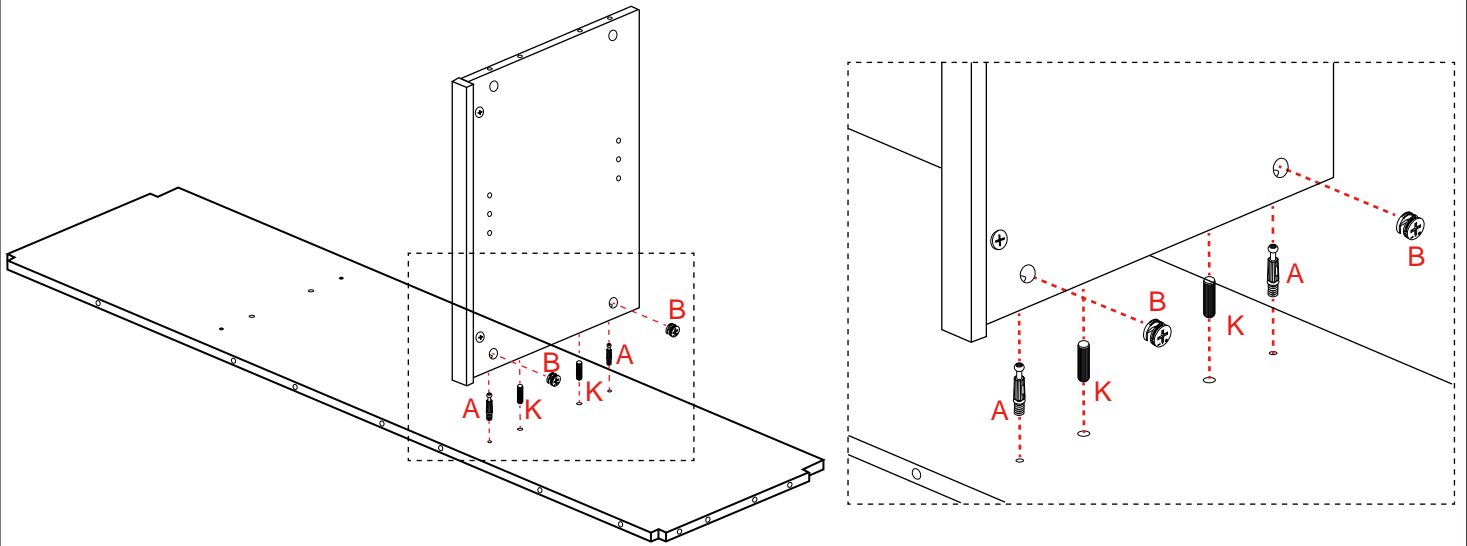
Parts List / Teile Liste

<p>1</p>  <p>850*364*15</p> <p>1 PC</p>	<p>2</p>  <p>850*364*15</p> <p>1 PC</p>	
<p>3</p>  <p>668*80*15</p> <p>1 PC</p>	<p>4</p>  <p>668*120*15</p> <p>1 PC</p>	
<p>5</p>  <p>679*376*3</p> <p>2 PCS</p>	<p>6</p>  <p>700*380*15</p> <p>1 PC</p>	
<p>7</p>  <p>700*380*15</p> <p>1 PC</p>	<p>8</p>  <p>300*130*12</p> <p>5 PCS</p>	<p>9</p>  <p>300*130*12</p> <p>5 PCS</p>
<p>10</p>  <p>619*130*12</p> <p>5 PCS</p>	<p>11</p>  <p>630*298*3</p> <p>5 PCS</p>	
<p>12</p>  <p>287*60*12</p> <p>5 PCS</p>	<p>13</p>  <p>698*166*15</p> <p>5 PCS</p>	

Parts List / Teile Liste

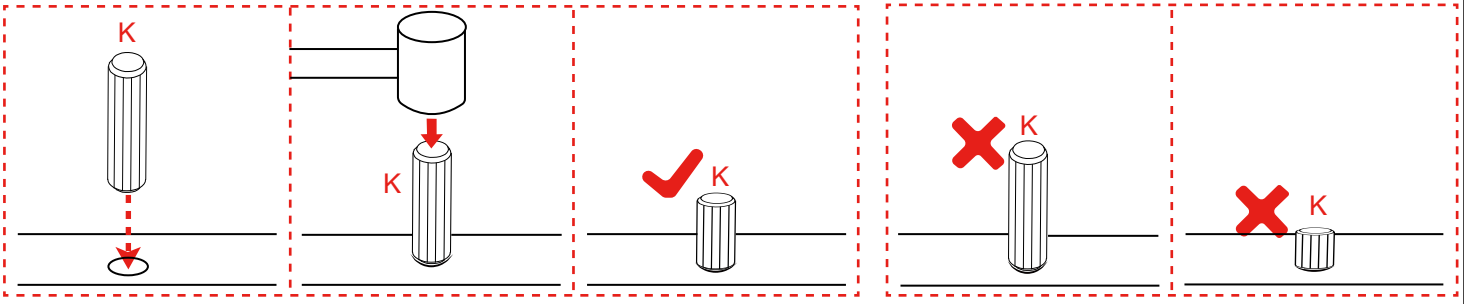
<p>A</p>  <p>Ø6x36mm 37PCS</p>	<p>B</p>  <p>Ø15x9.2mm 37PCS</p>	<p>C</p>  <p>M3.5x12mm 70PCS</p>
<p>D</p>  <p>M3.5x14mm 8PCS</p>	<p>E</p>  <p>8PCS</p>	<p>F</p>  <p>2SET</p>
<p>G</p>  <p>5 PCS</p>	<p>H</p>  <p>4PCS</p>	<p>I</p>  <p>M3.5x40mm 30PCS</p>
<p>J</p>  <p>10SET</p>	<p>K</p>  <p>Ø8*30mm 8PCS</p>	<p>L</p>  <p>M4</p>
<p>M</p>  <p>Ø20mm 8PCS</p>	<p>N</p>  <p>M7*50 4PCS</p>	<p>O</p>  <p>4PCS</p>
<p>P</p>  <p>40*40*15 4PCS</p>	<p>Q</p>  <p>2PC</p>	<p>R</p>  <p>M4*12mm 8PCS</p>
<p>S</p>  <p>2PCS</p>	<p>T</p>  <p>2PCS</p>	<p>U</p>  <p>M4*25mm 12PCS</p>
<p>V</p>  <p>12PCS</p>	<p>W</p>  <p>M4 20PCS</p>	

How the knock down assembly system works

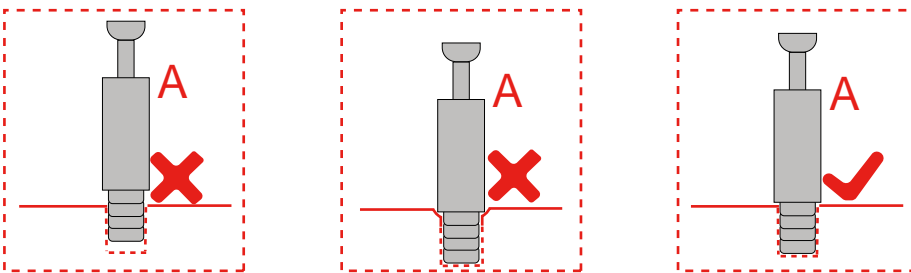


How to Install Wood Dowel

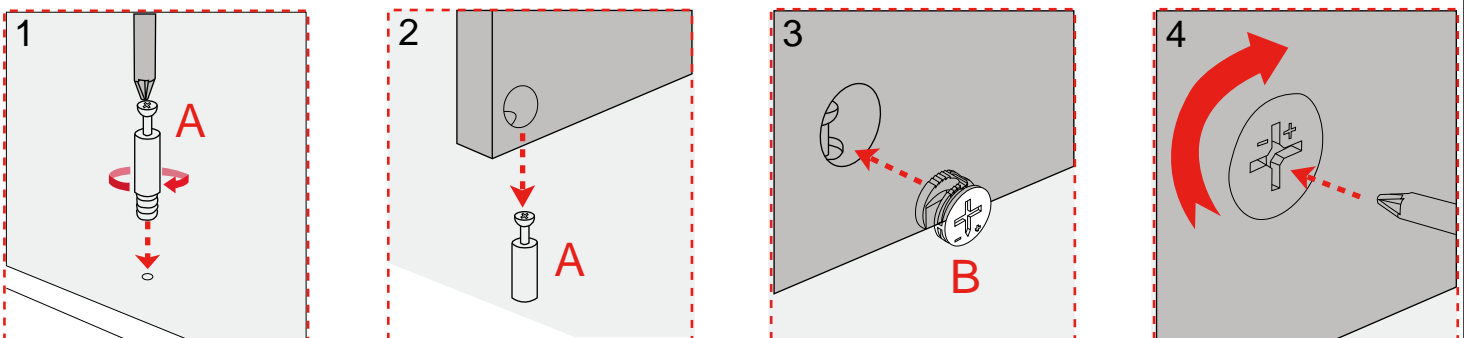
Insert the wood dowel [K] at least half way by tapping lightly with a rubber mallet, IF NECESSARY.



Cam Lock System Operation



1. Screw the cam bolt [A] into the threaded insert on the panel.
2. Connect both panels together making sure cam bolt [A] goes into the pre-drilled large hole on the end of panel for cam lock [B].
3. Insert the cam lock [B] into the pre-drilled large hole on the panel. Make sure the cross slot of cam lock [B] faces out (The arrow should point towards Screw No. A).
4. Rotate the cam lock [B] clockwise with a self-supplied phillips screwdriver to lock the cam bolt [A] in place (Rotate 100-180 degrees until tight).



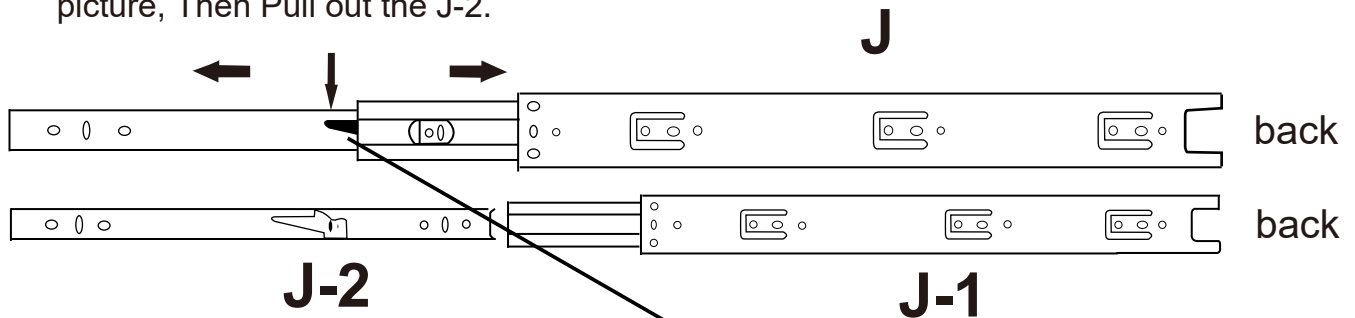
STEP 1



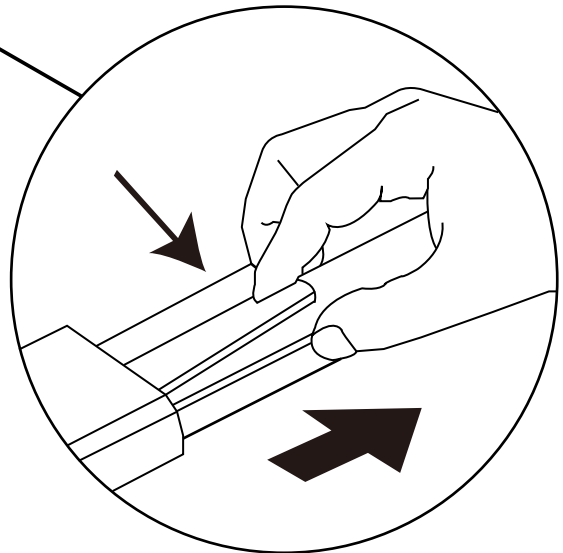
Hardware installation demonstration

- Before installing the drawer rails, you need to split rail No. J into outer rail No. J-1 and inner rail No. J-2.

1. Place the rail No. J as shown in picture, Then Pull out the J-2.



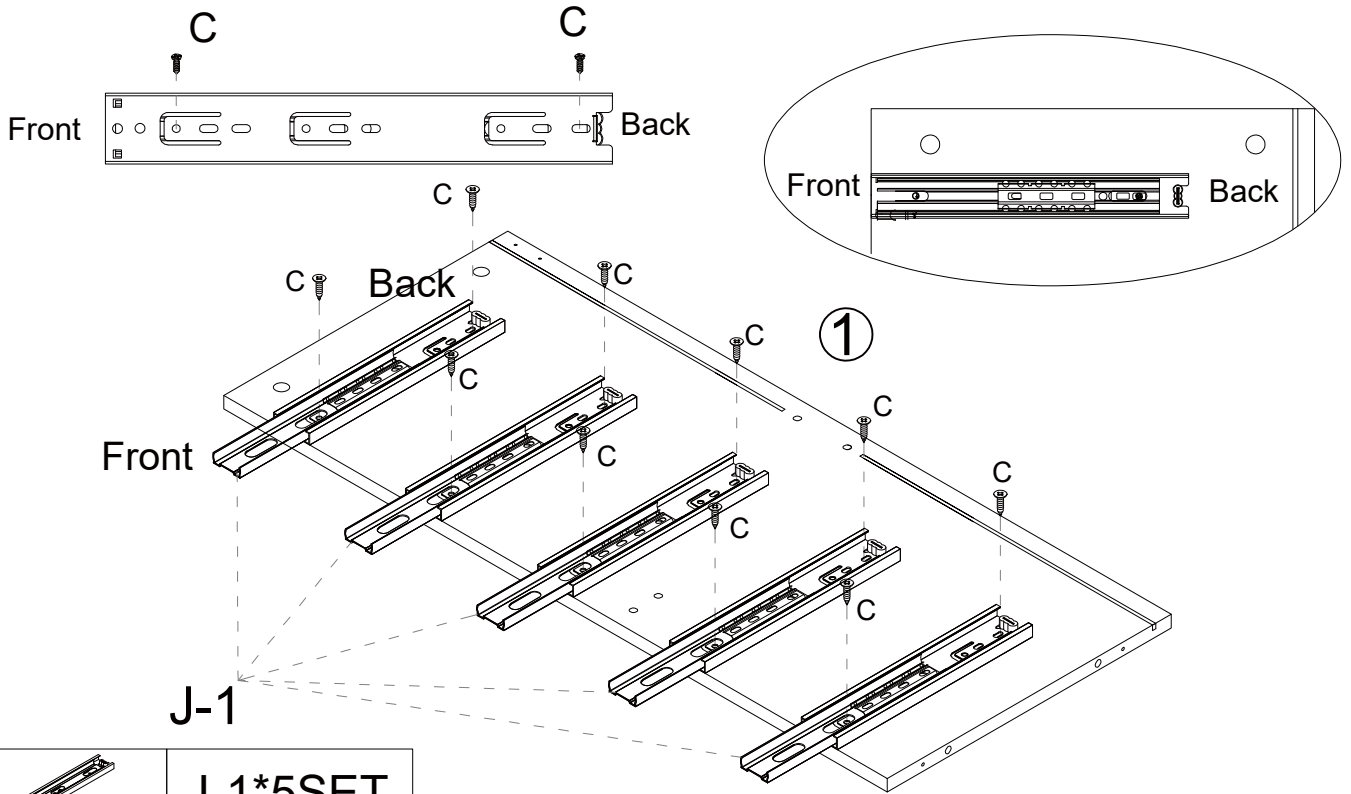
2. Find the latch position, press it and split.


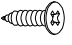


Warm Reminder: Press it and split

STEP 2

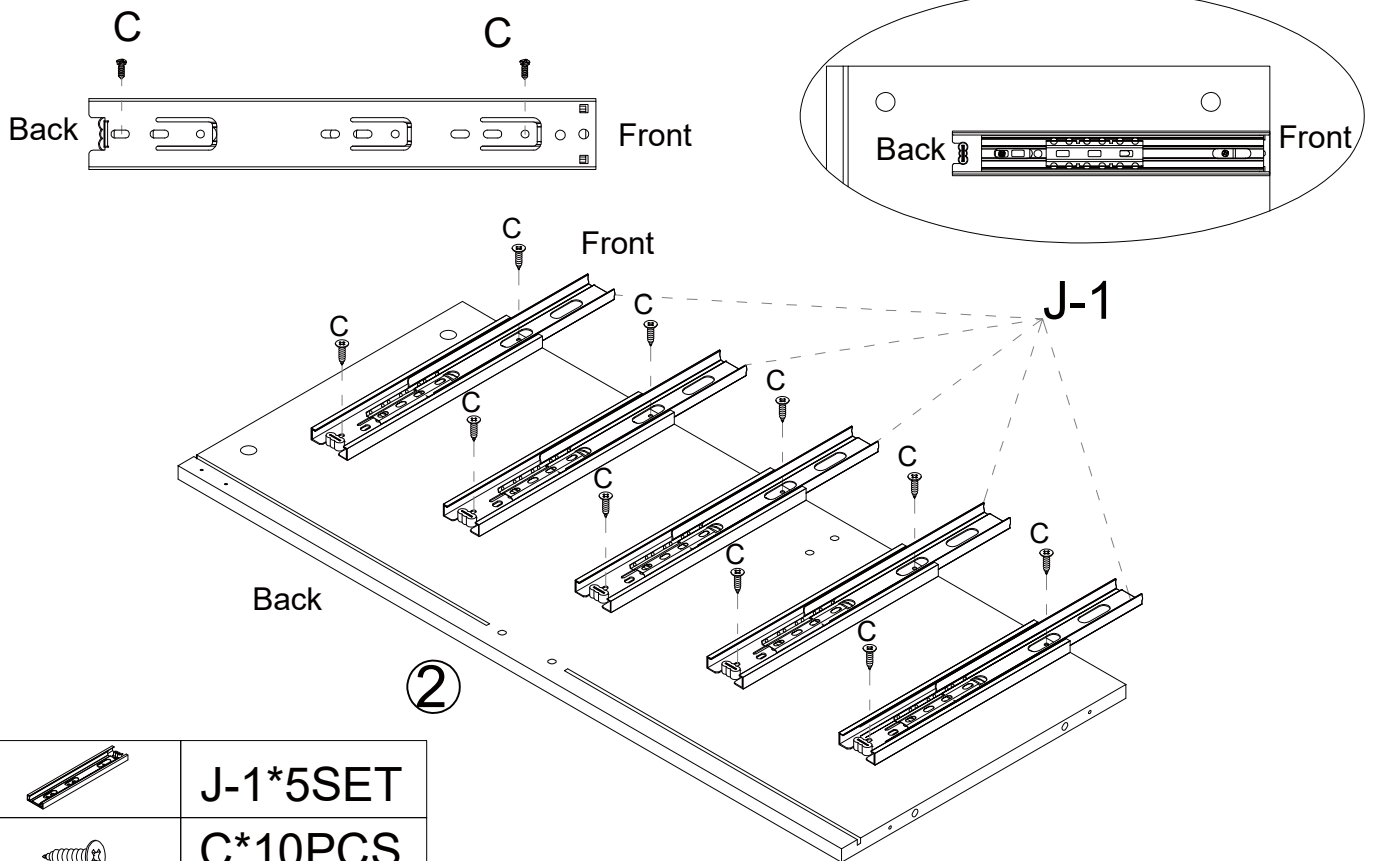
Use 10Pcs No. C screws to install the guide rail (No. J-1) on panel No. 1. Before installing the guide rail, refer to step 1 to split the guide rail (No. J) into the inner rail (No. J-2) and the outer rail (No. J-1).

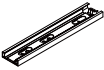
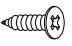


	J-1*5SET
	C*10PCS

STEP 3

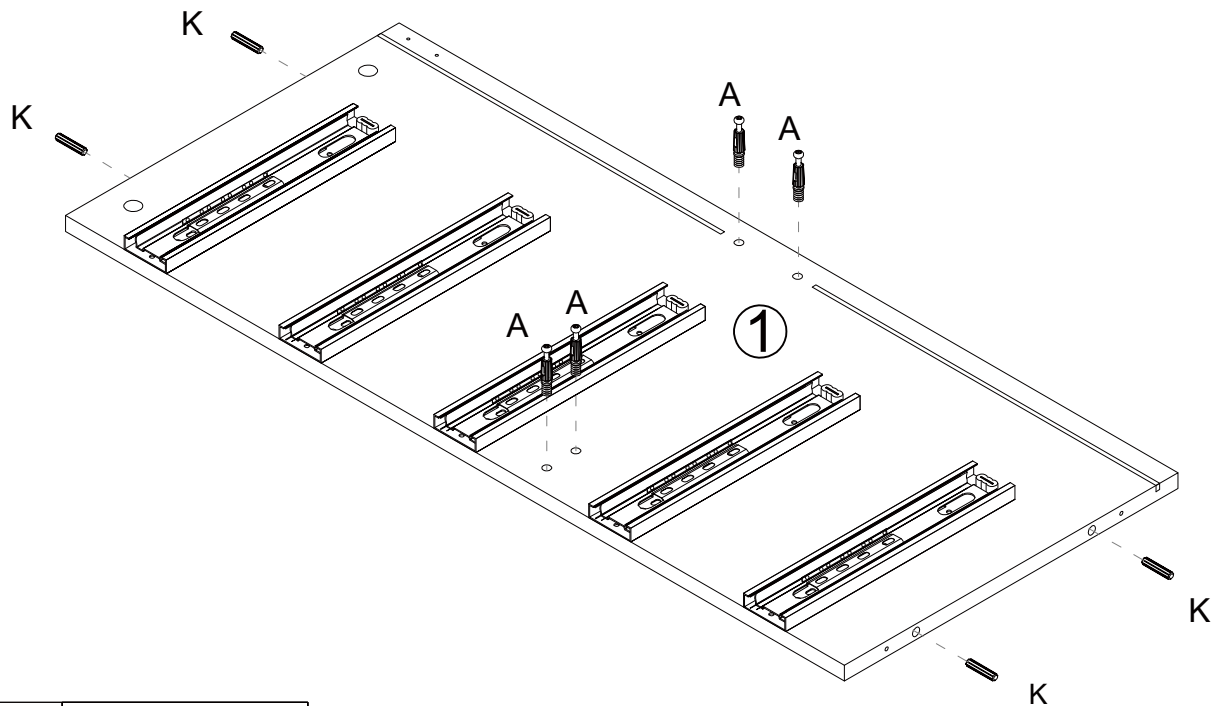
Use 10Pcs No. C screws to install the guide rail (No. J-1) on panel No. 2. Before installing the guide rail, refer to step 1 to split the guide rail (No. J) into the inner rail (No. J-2) and the outer rail (No. J-1).



	J-1*5SET
	C*10PCS

STEP 4

Install 4Pcs No. A screws into the corresponding holes on panel No. 1, and then insert 4Pcs No. K wooden plugs into the holes on the side of panel No. 1. (If you're unsure how to install the No. A screws, please refer to page 7)



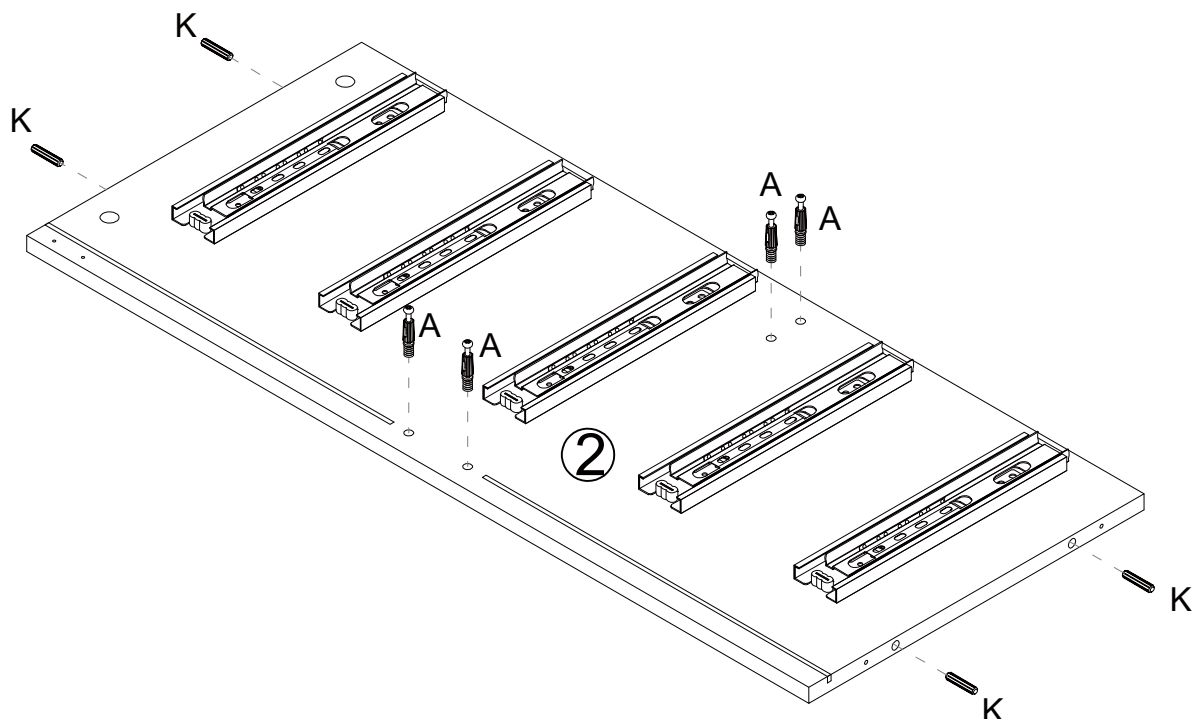
A*4PCS



K*4PCS

STEP 5

Install 4Pcs No. A screws into the corresponding holes on panel No. 2, and then insert 4Pcs No. K wooden plugs into the holes on the side of panel No. 2. (If you're unsure how to install the No. A screws, please refer to page 7)



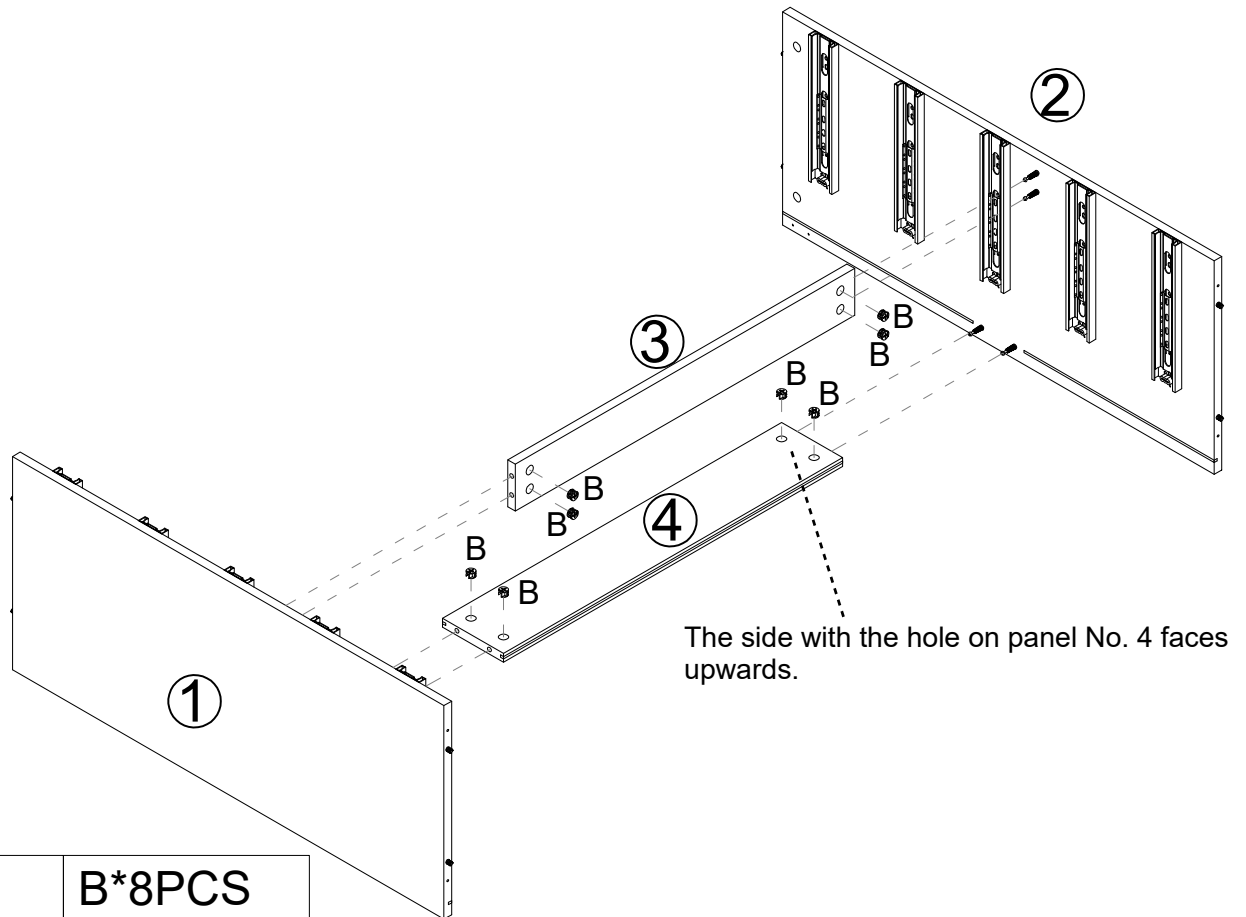
A*4PCS



K*4PCS

STEP 6

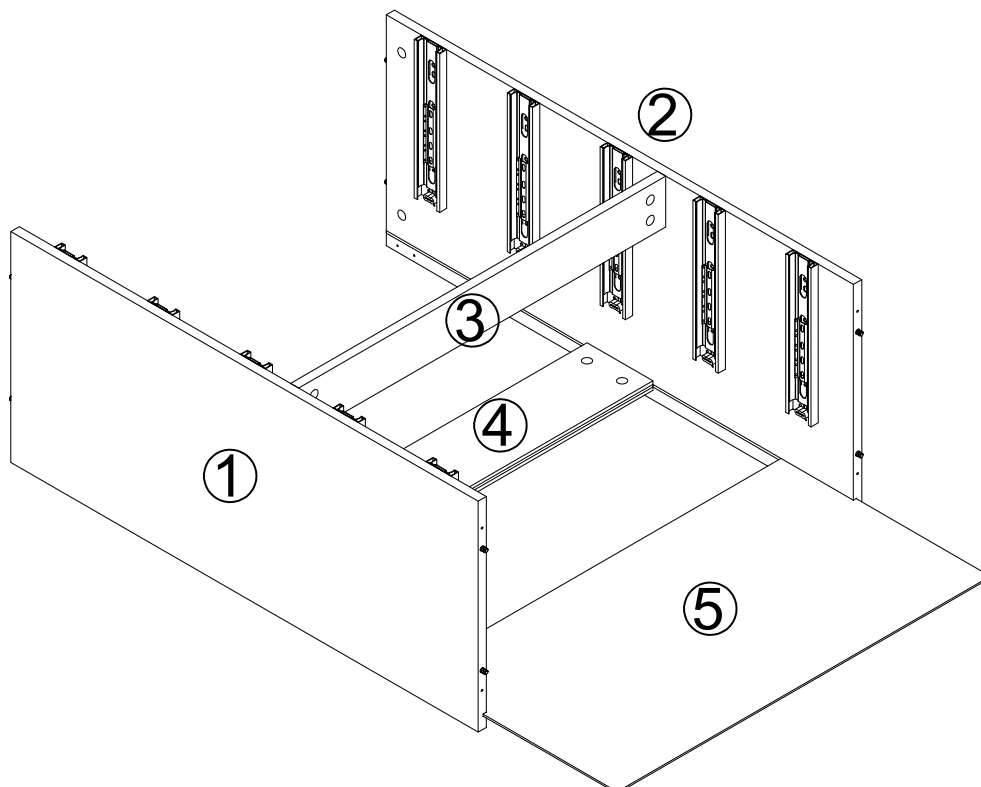
First, use 4Pcs No. B screws to attach panels No. 3 and No. 4 to panel No. 2, then use another 4Pcs No. B screws to attach panels No. 3 and No. 4 to panel No. 1. (If you're unsure how to install the No. B screws, please refer to page 7)



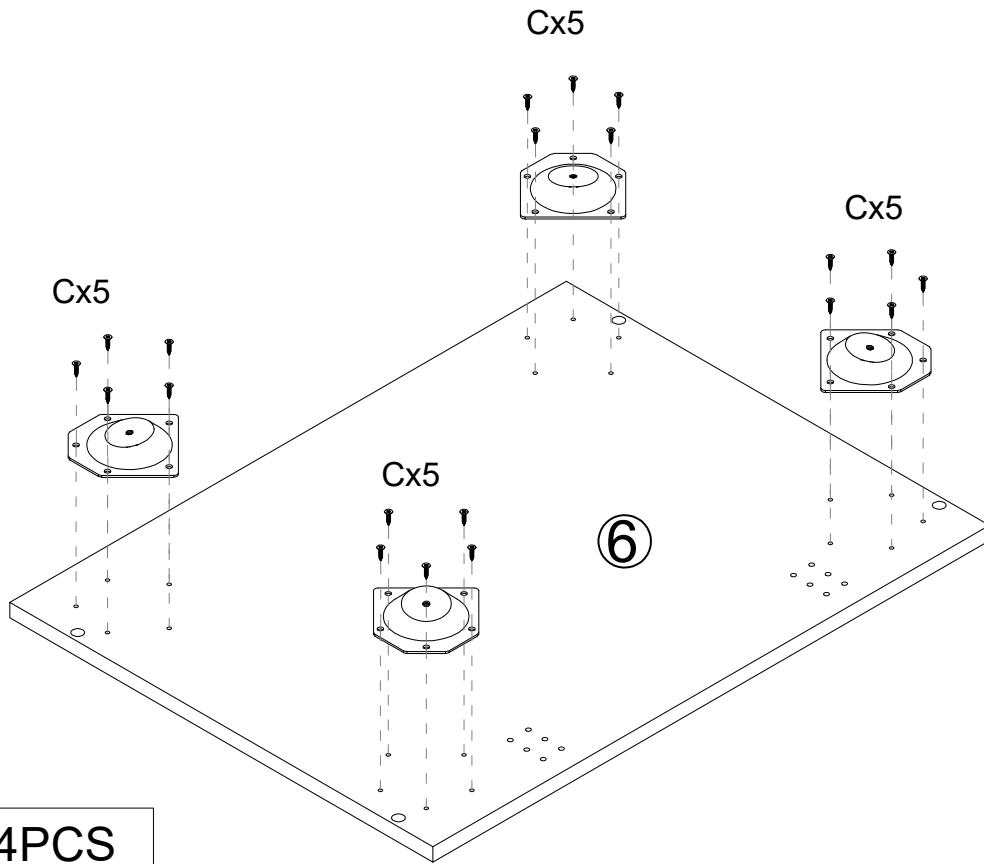
B*8PCS



STEP 7

Insert Plate No. 5 into the grooves of Panels No. 1 and No. 2, ensuring it is properly aligned and ends up in the groove of Panel No. 4.

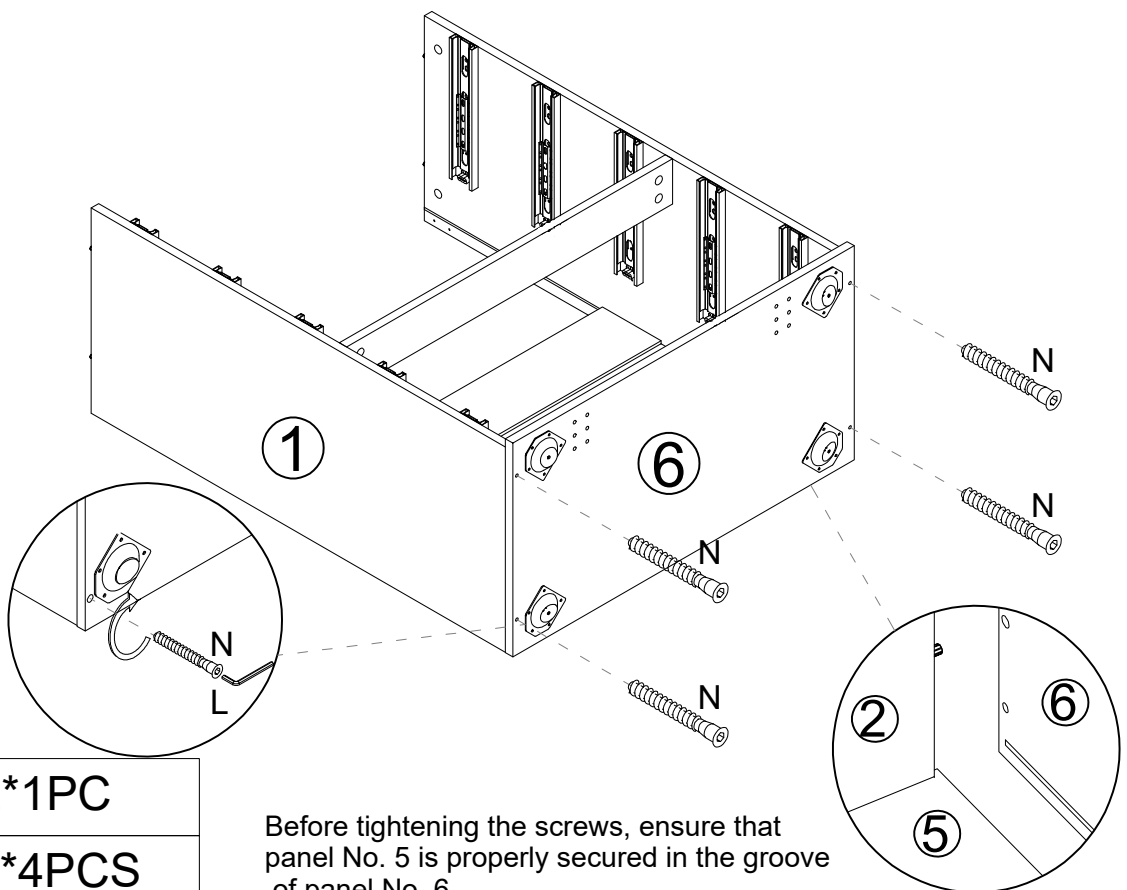


STEP 8 Use 20Pcs No. C screws to attach iron sheet No. O to panel No. 6.


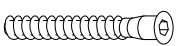


	O*4PCS
	C*20PCS

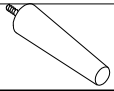
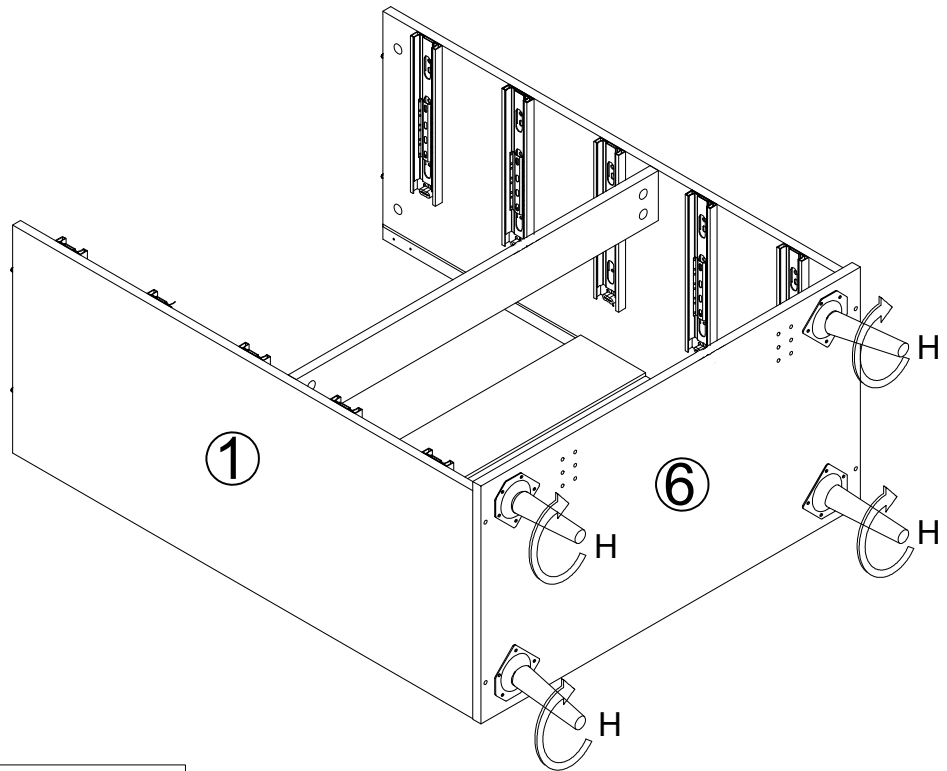
STEP 9 Use 4Pcs No. N screws to attach panel No. 6 to the cabinet. Before tightening the screws, ensure that panel No. 5 is properly secured in the groove of panel No. 6.



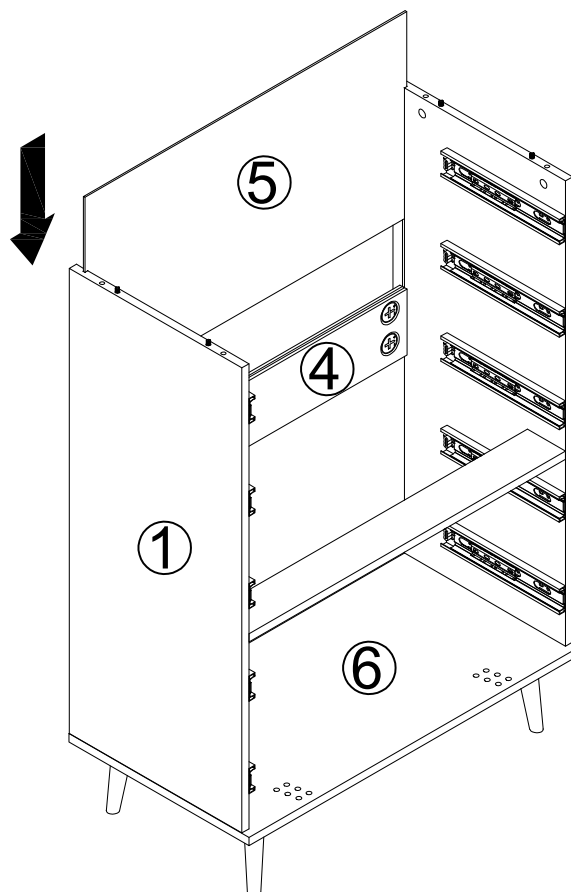
Use the No. L wrench to tighten the screws securely.

	L*1PC
	N*4PCS

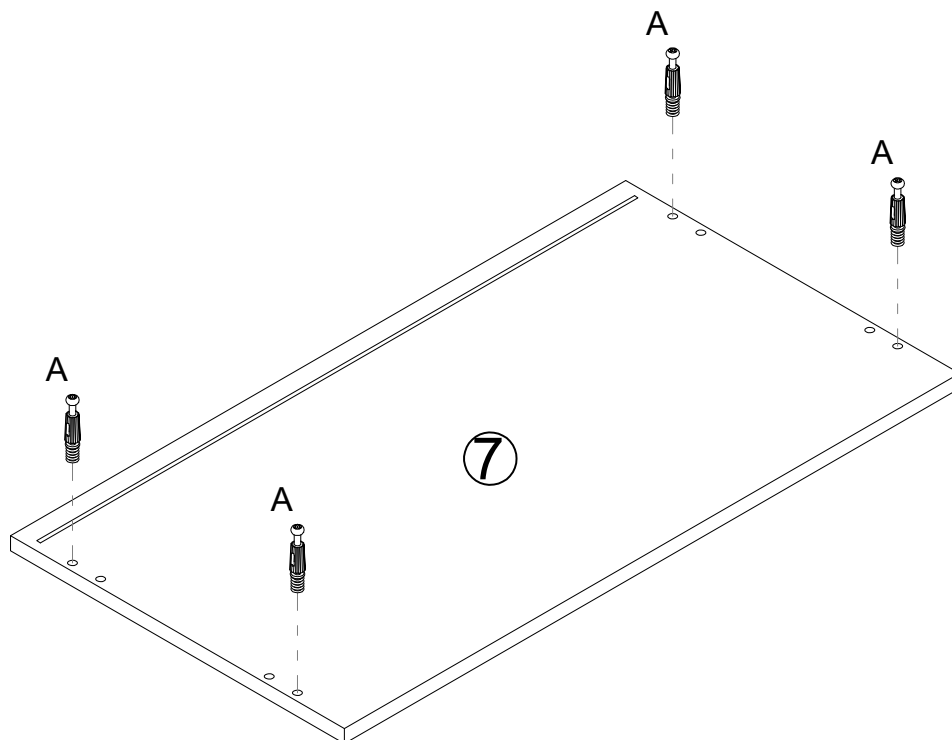
Before tightening the screws, ensure that panel No. 5 is properly secured in the groove of panel No. 6.

STEP 10 Install the support leg No. H into the hole of iron sheet No. O.

H*4PCS

STEP 11 First, stand the Dresser upright, then insert Plate No. 5 into the grooves of Panels No. 1 and No. 2, ensuring it is properly aligned and ends up in the groove of Panel No. 4.

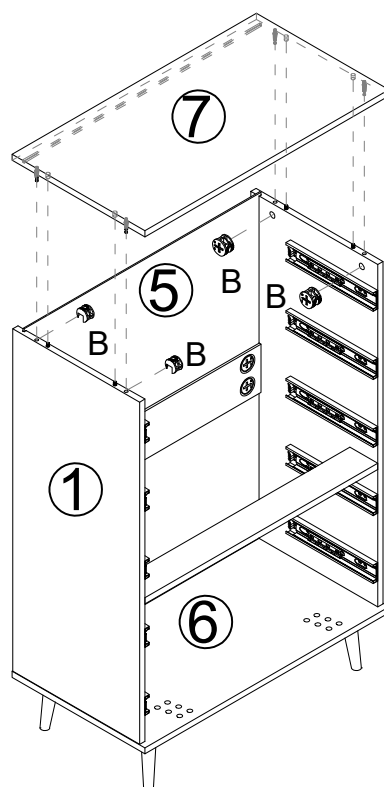
STEP 12 Install 4Pcs No. A screws in the corresponding holes of panel No. 7.



A*4PCS

STEP 13

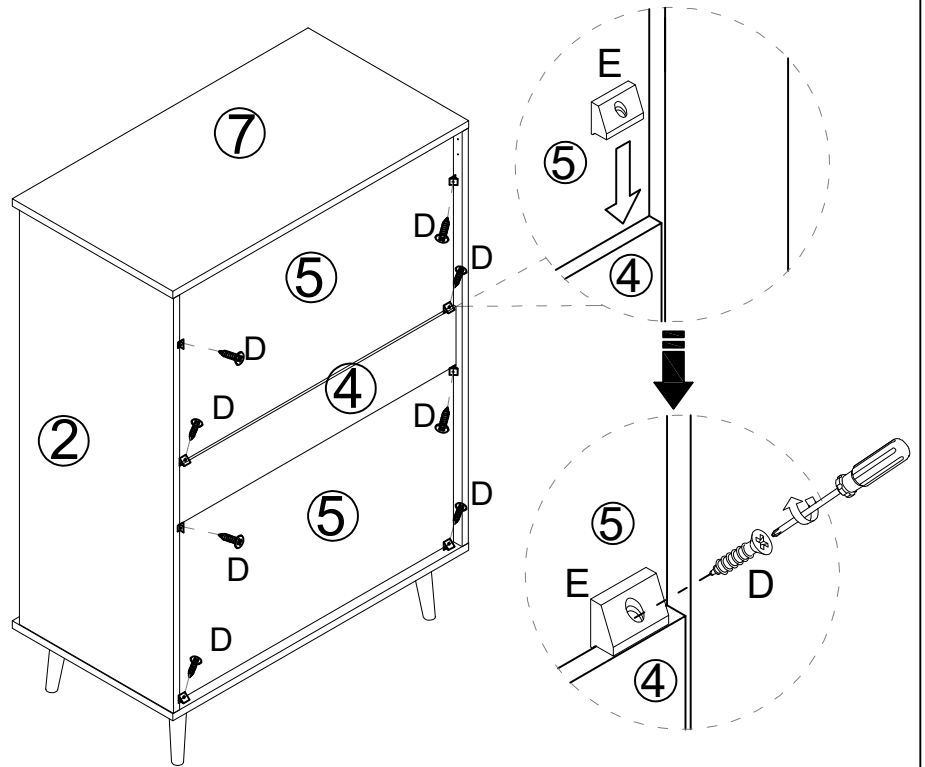
Use 4Pcs No. B screws to install panel No. 7 on the Dresser. Before tightening the screws, ensure that panel No. 5 is inserted into the groove of panel No. 7.





B*4PCS

STEP 14

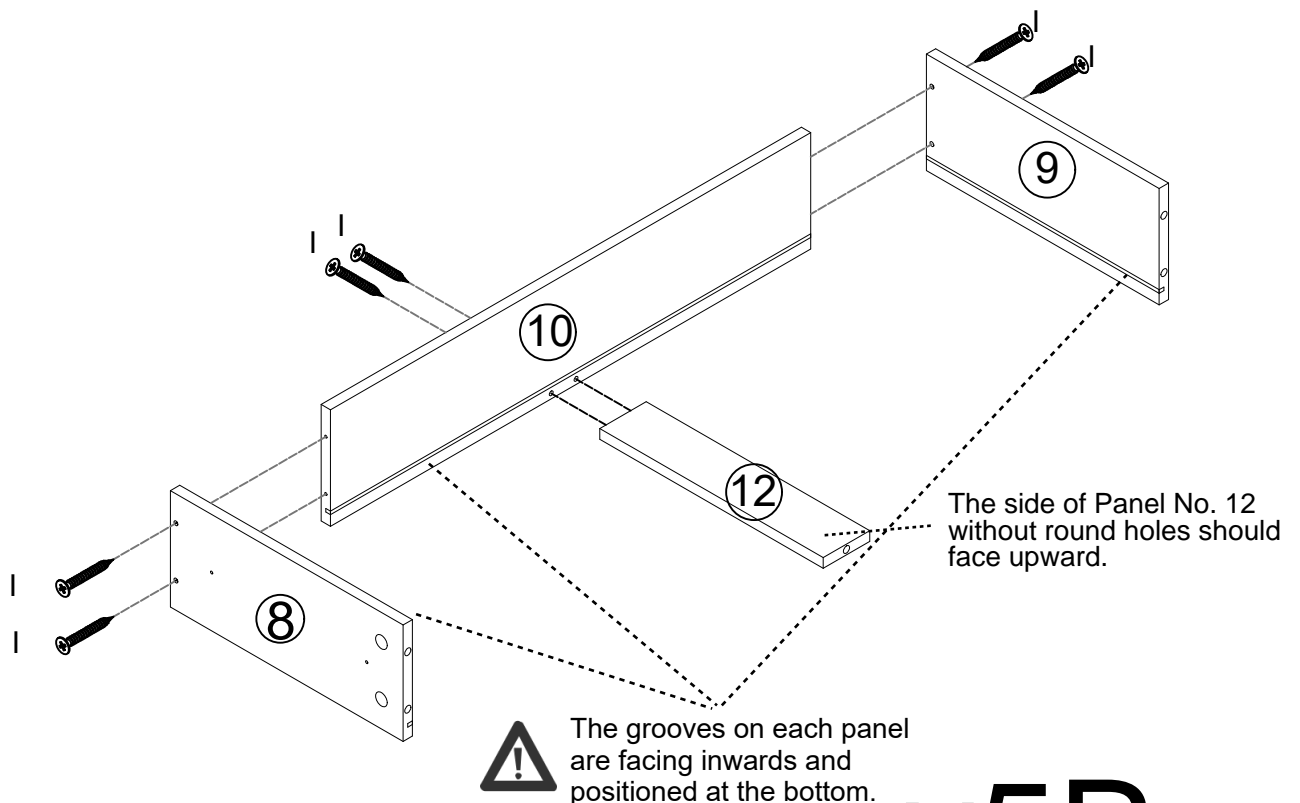
Use 8Pcs No. D screws to install the No. E plastic buckles in the corresponding positions (as shown in the figure). Installing the plastic buckles will help enhance the stability of the Dresser and prevent it from shaking easily.




	D*8PCS
	E*8PCS

STEP 15

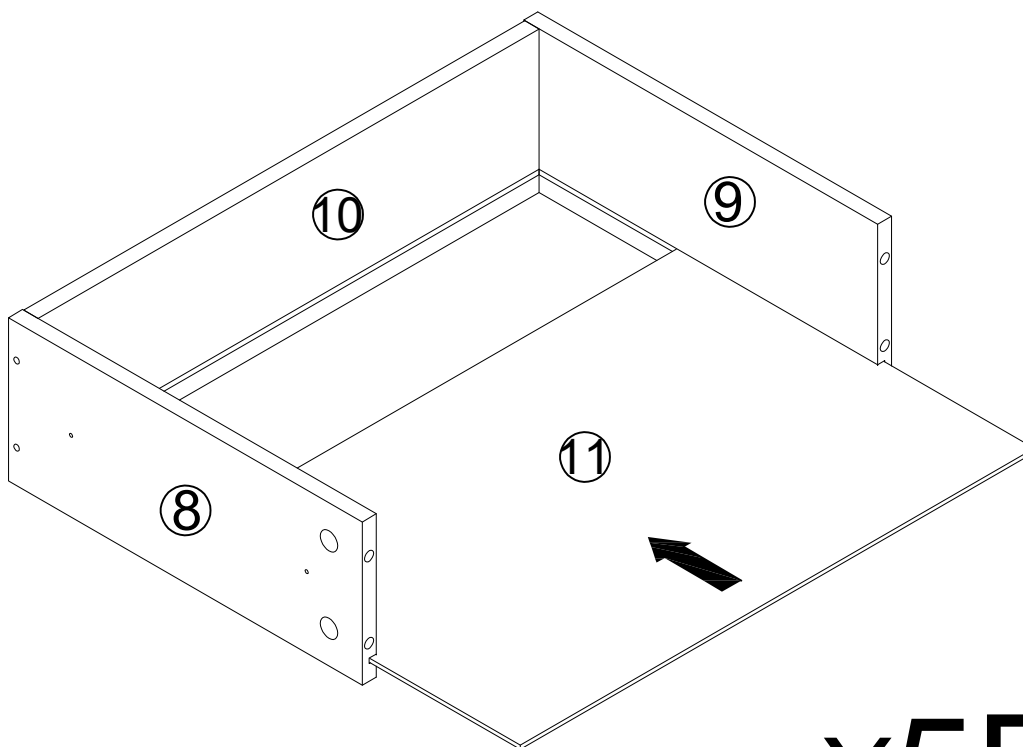
Use 6 pcs No. I screws to attach Panels No. 8, No. 9, No. 10, and No. 12 together. When installing, ensure that the grooves on each panel are facing inward and positioned at the bottom. Please note that there are 5 drawers that require assembly.



	I*30PCS
---	---------

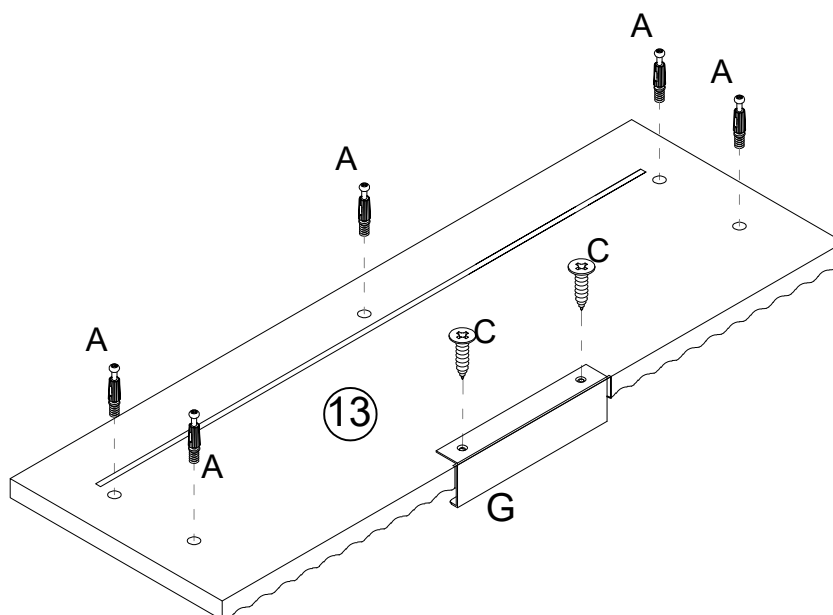
x5Pcs

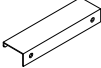


STEP 16 Insert Panel No. 11 into the grooves of Panels No. 8, No. 9, and No. 10. Please note that there are 5Pcs drawers that require assembly.



x5Pcs

STEP 17 Install 5Pcs No. A screws on Panel No. 13, and then use 2Pcs No. C screws to install Handle G on Panel No. 13. Please note that there are 5Pcs drawers that require assembly.

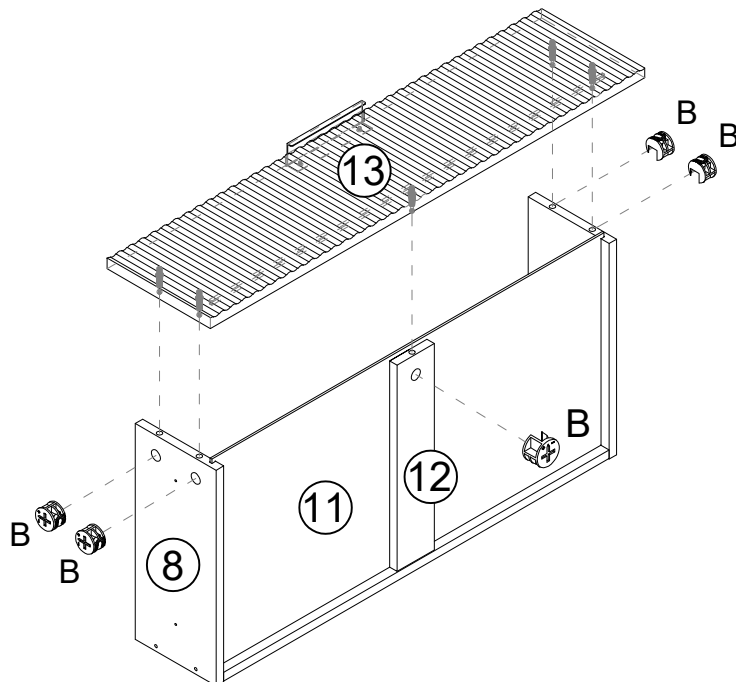


	G*5PCS
	C*10PCS
	A*25PCS

x5Pcs

STEP 18

Use 5Pcs No. B screws to connect Panel No. 13 to Panels No. 8, No. 9, and No. 12. Before tightening the screws, ensure that Panel No. 11 is properly inserted into the groove of Panel No. 13.



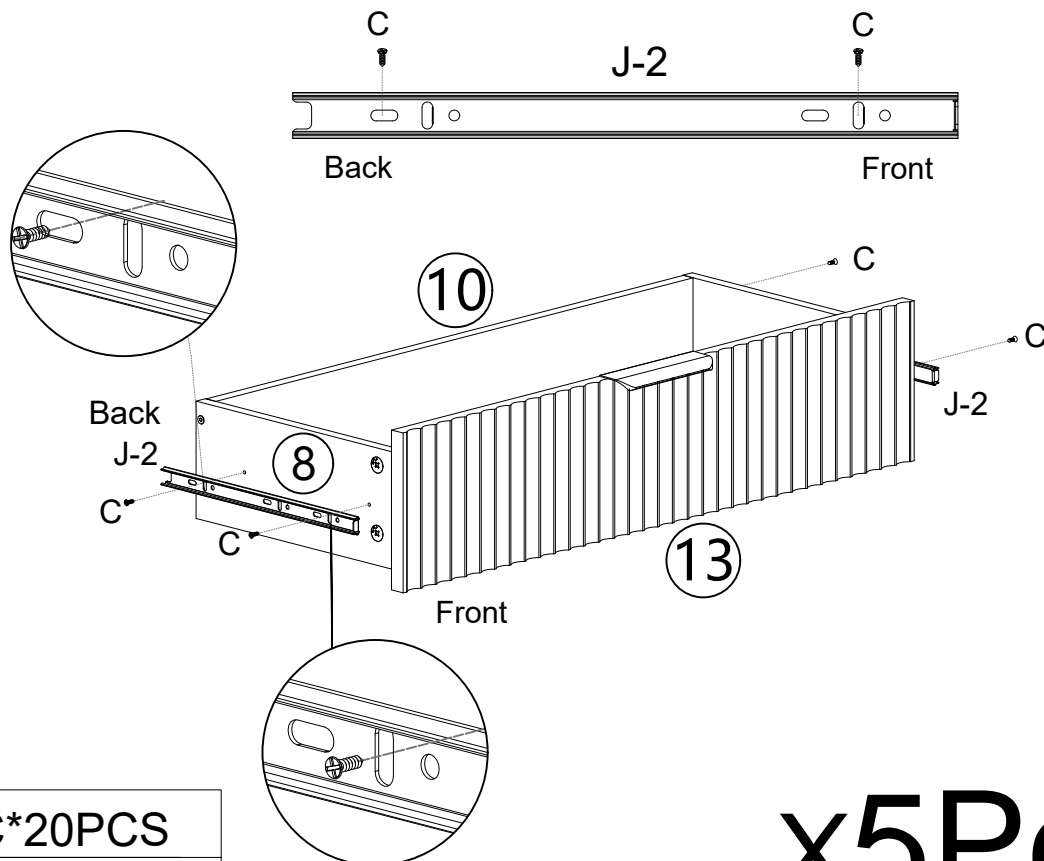
x5Pcs



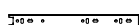
B*25PCS

STEP 19

Use 4Pcs No. C screws to install the inner rail J-2 on Panels No. 8 and No. 9. Ensure that the installation hole positions are correct.



C*20PCS

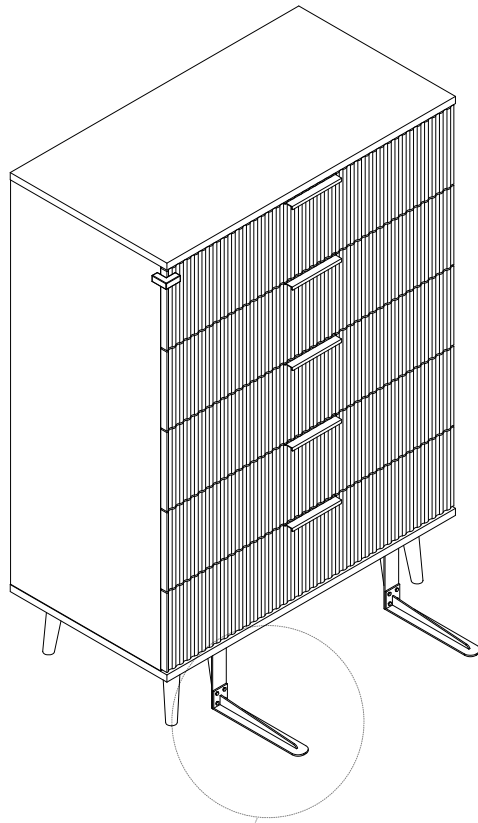


J-2*10SET

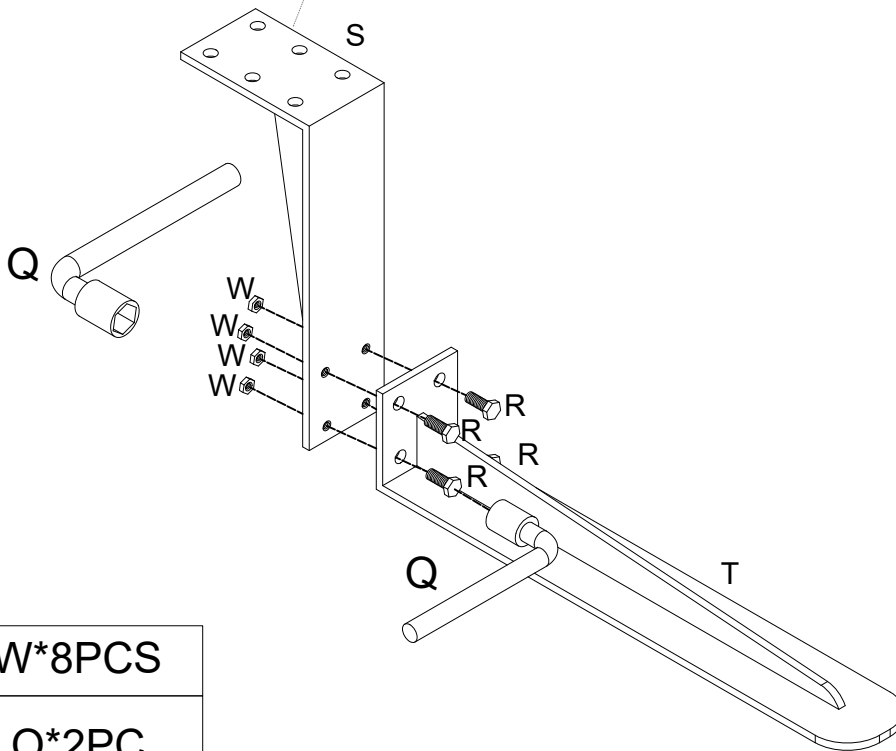
x5Pcs


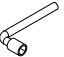
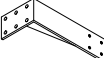

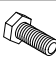
STEP 20

Use 4Pcs No. R screws and 4Pcs No. W screws to connect Part S and Part T together to form the anti-tip support legs. (This step requires 2Pcs No. Q wrenches.)



Installing the metal support feet can effectively reduce the risk of the furniture tipping forward.



	W*8PCS
	Q*2PC
	S*2PCS
	T*2PCS
	R *8PCS

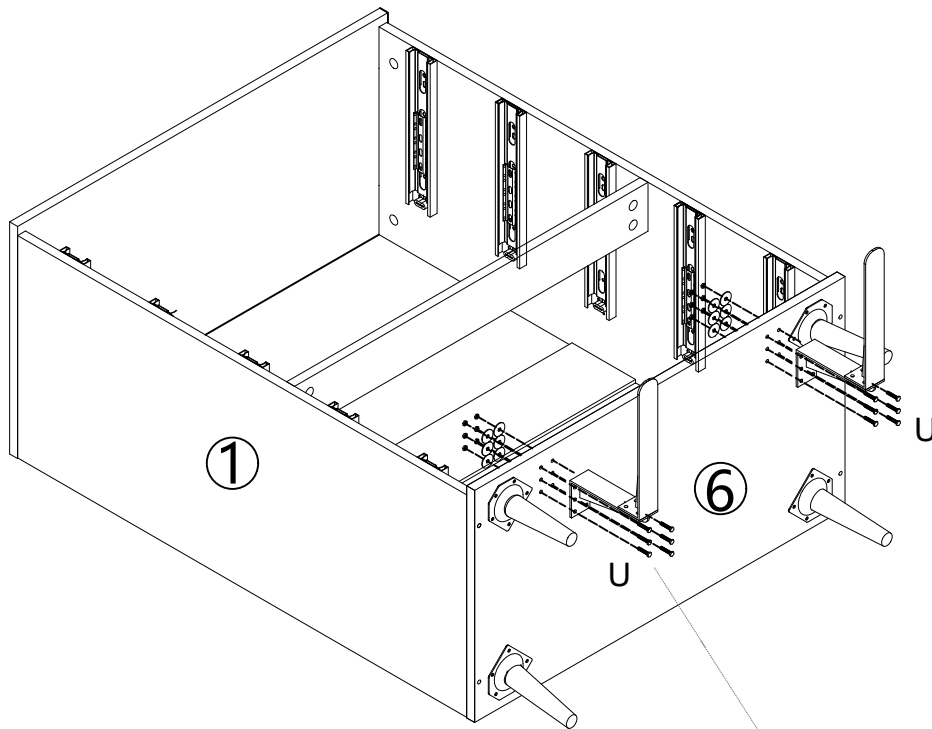
x2Pcs

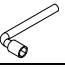



STEP 21

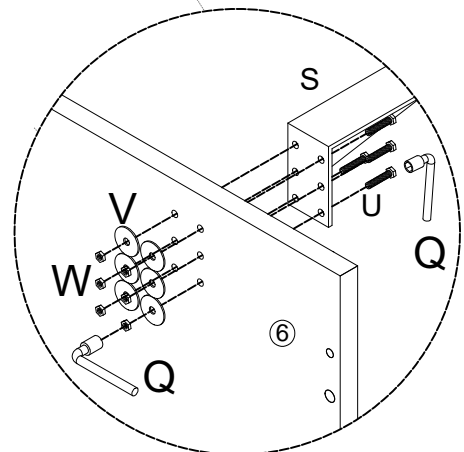
First, insert 6 pcs No. U screws through the 6 holes on Part S. Then, pass them through Panel No. 6 and the No. V washers in sequence. Finally, secure them with 6 pcs No. W nuts. (This step requires 2 pcs No. Q wrenches.) Installing the anti-tip support legs can effectively prevent the furniture from tipping forward when the drawers are fully extended. If there are children at home, please make sure to install them for safety.



Installing the metal support feet can effectively prevent the risk of furniture tipping forward if a child attempts to climb on it.

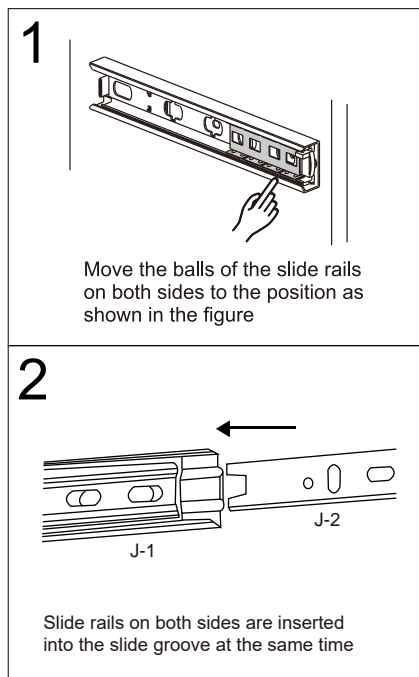
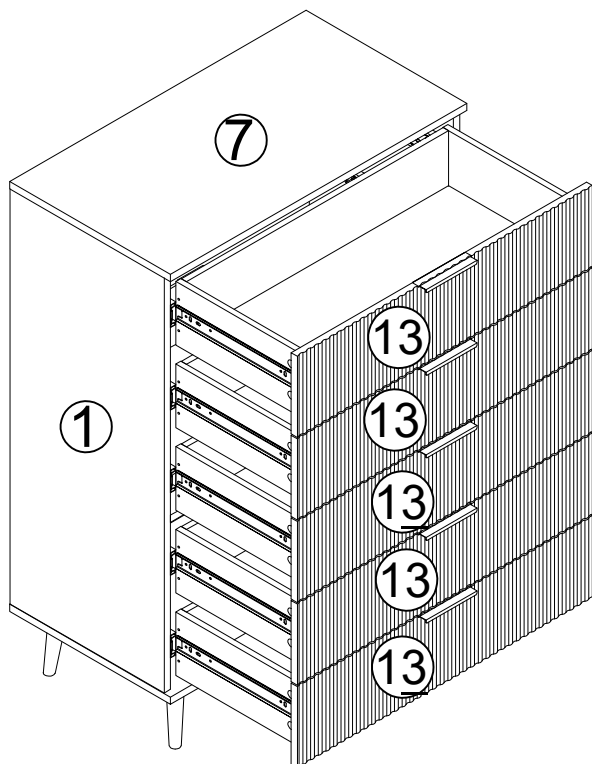


	Q*2PC
	U*12PCS
	V*12PCS
	W*12PCS



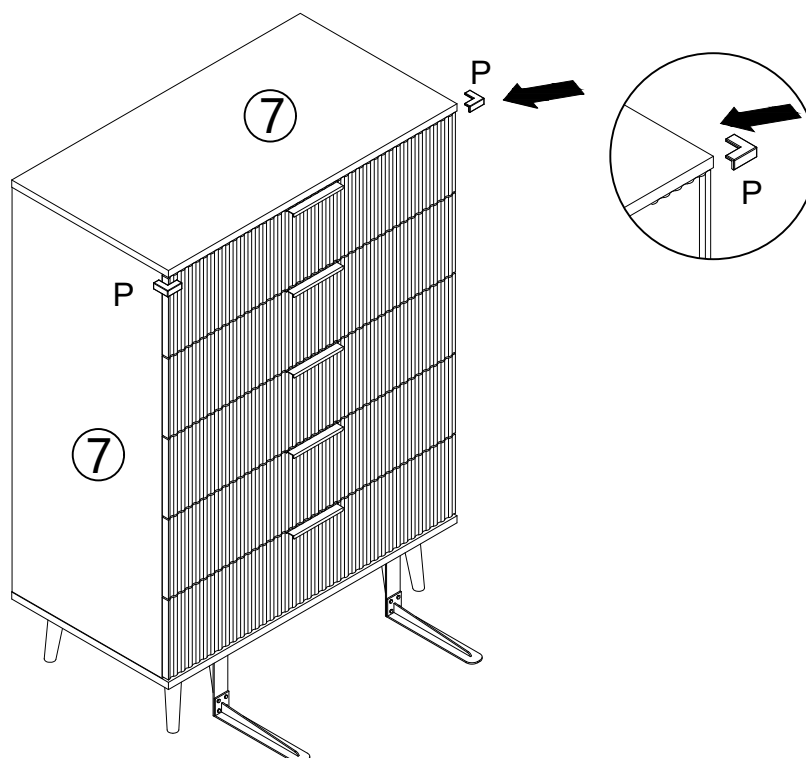
STEP 22

Note: When assembling the inner rail (No. J-2), first insert it into the plastic clip, then push the inner rail (No. J-2) parallel to the outer rail (No. J-1). Forcing it in may cause the rail ball to fall off or deform. If the rail is damaged, please contact us promptly, and we will provide a new one.



STEP 23

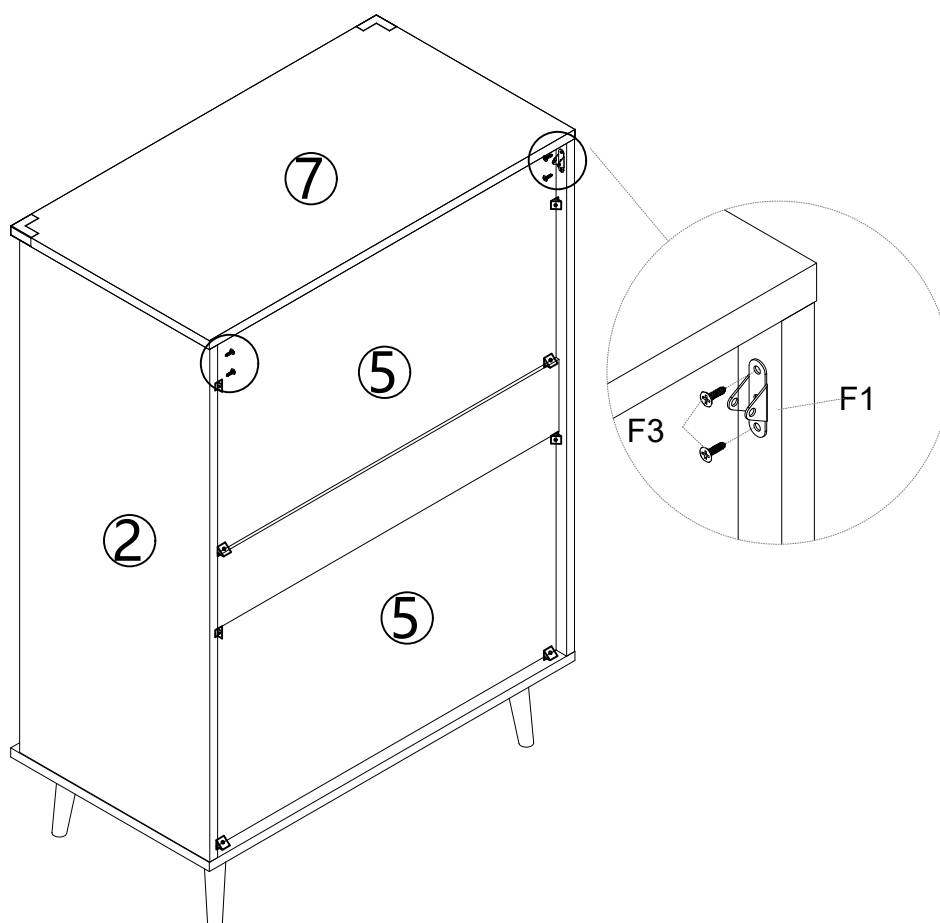
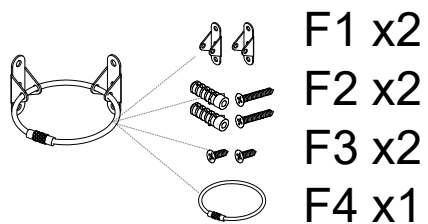
Install silicone protective covers (No. P) on both corners of the chest of drawers to protect against impacts with sharp edges





P*2PCS

STEP 24

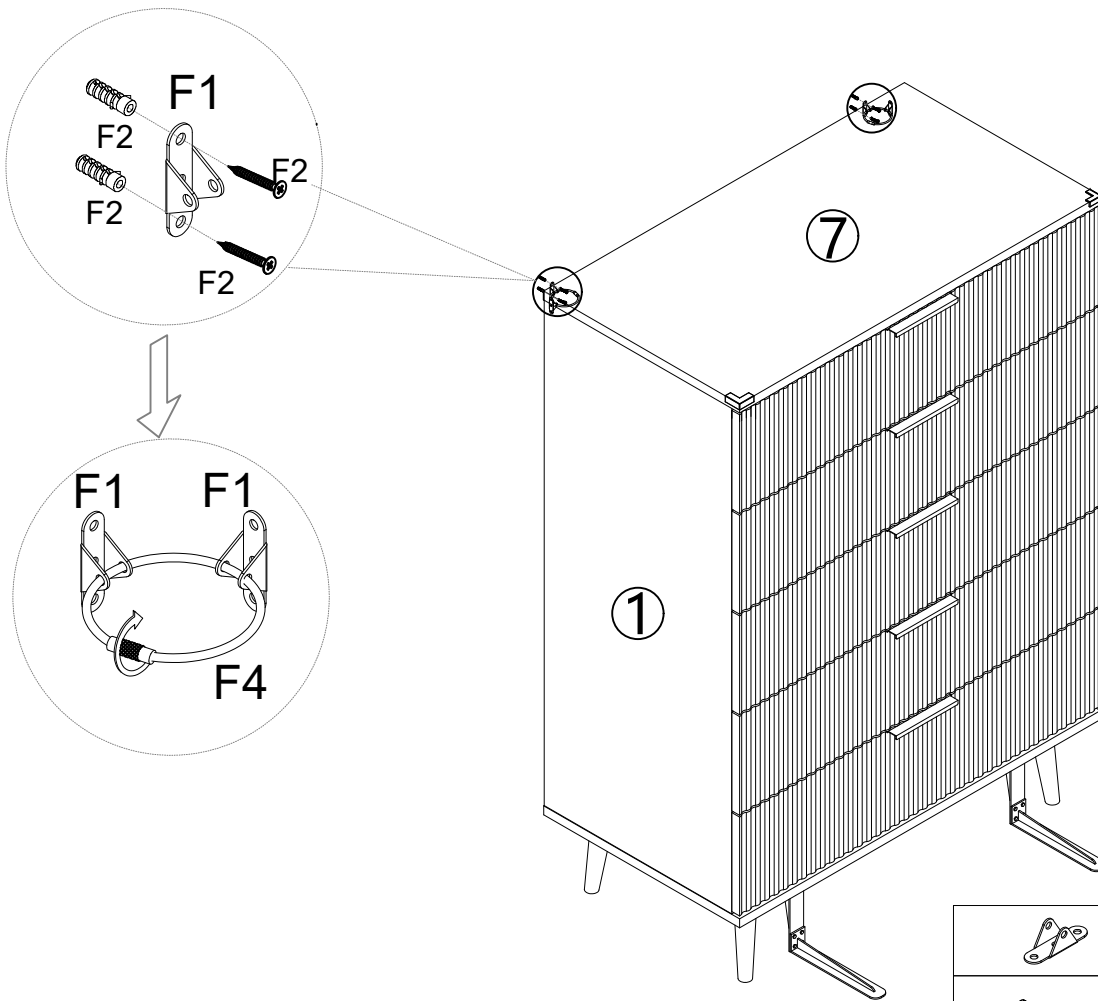
First, divide Part No. F into F1, F2, F3, and F4 according to the shapes shown in the picture. Then, use 4 pcs F3 screws to attach F1 to the back of Panels No. 1 and No. 2.



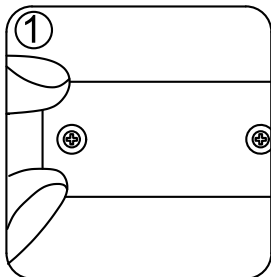
	F1*2PCS
	F3*4PCS

STEP 25

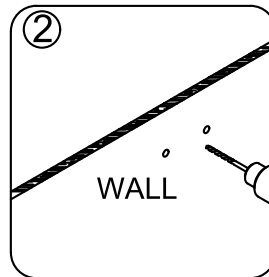
Furniture tipping over can cause serious injury to young children. You must install anti-tip device hardware (No. F) on the equipment to prevent it from tipping over and causing an accident or damage. Anti-tip devices are intended only as a prevention; they are not a substitute for proper adult supervision.



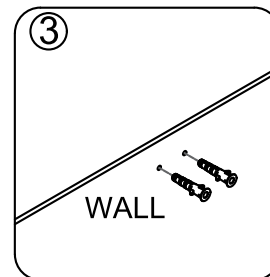
	F1*2PCS
	F2*4PCS
	F4*2PCS



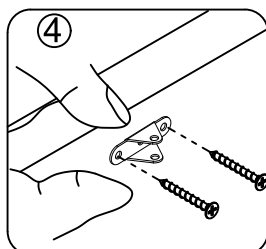
1. Make mark on the wall



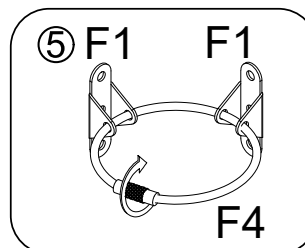
2. Drill two Ø6 holes on the wall



3. Put two anchors in the holes



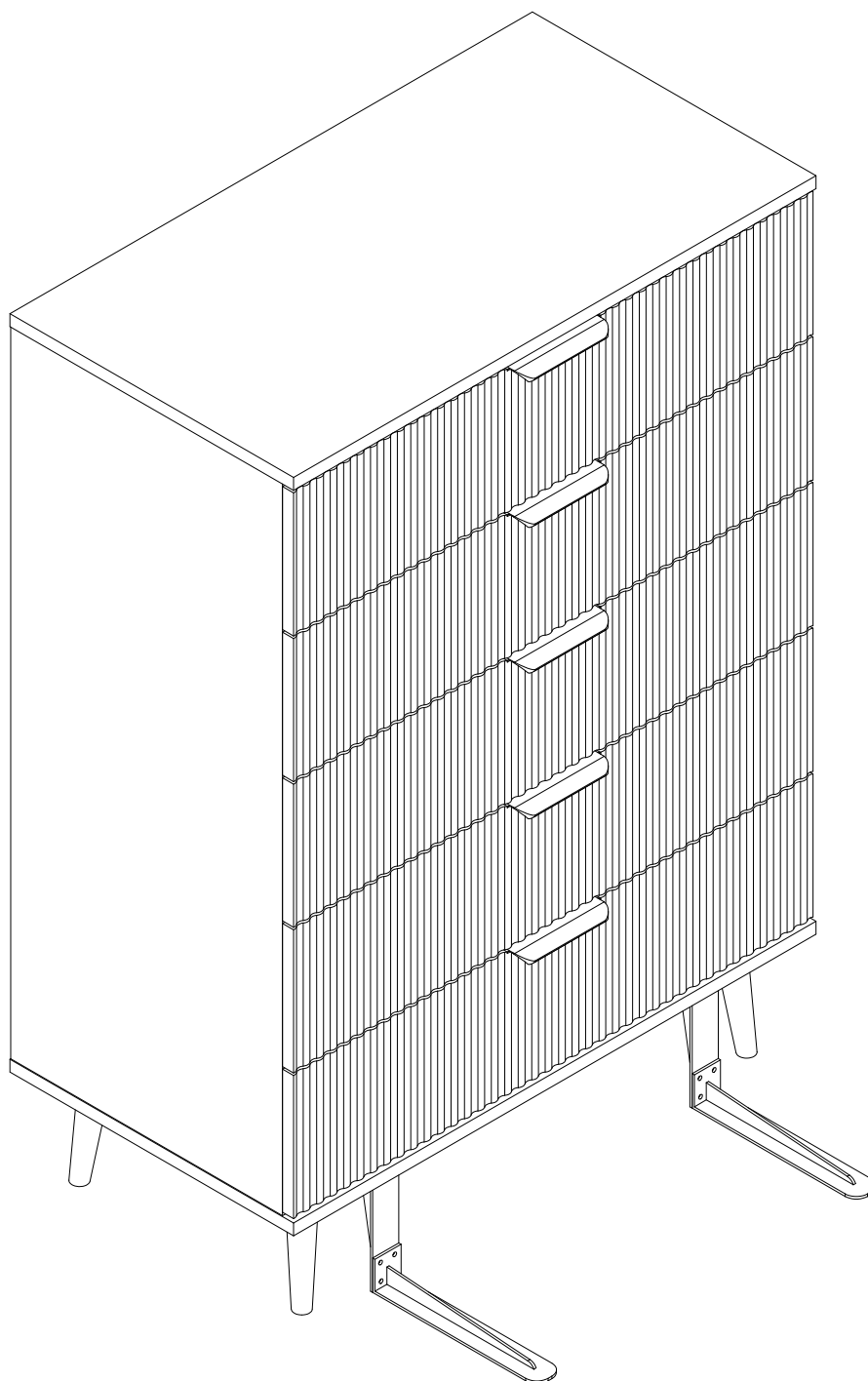
4. Fix the device(F1) on the wall by the long screws(F2)



5. Push the Dresser close to the wall so that the two bases are close to each other, and then put on tie (F4) to tighten it.



Wow, you assembled the Dresser incredibly well! It looks amazing !
You really did it!
You've completed a great challenge!



Care Instructions



Your furniture, if treated with respect and love, will last you a long time. Each piece requires light maintenance to maximize its longevity.

Few quick tips before using this product

1. Recommended weight limit for the table top is 88lbs and 44lbs for each drawers.
2. Do not open more than 2 drawers at the same time without install the tipping restraint hardware, otherwise there is a risk of tipping.
3. When storing heavier items, place them as close to the bottom drawer as possible for stability.
4. Check and tighten the camlock and screw periodically as it may loose over the time.

How to take care of it?

1. Avoid direct sunlight or use curtains or blinds to limit the sun exposure to the product.
2. Clean the product regularly with a dry, soft cloth.
3. Avoid using abrasive or liquid cleanser.
4. Avoid placing hot objects onto the table top surface.
5. Spillage may damage the surface. Clean immediately with a dry cloth.
6. We recommend using placemats or coasters underneath glasses, cups, bowls or plates to prevent scratches to the table surface.

Frequently Asked Questions



For any enquiries or issues regarding your purchase, chat with us at VIPService68@outlook.com

1. What should I do if my order is incomplete?

Our products ship flat-packed in separate boxes. When your order leaves via FedEx, you ' ll get an email with tracking details. Keep in mind that FedEx may deliver your boxes separately, so wait until you have them all before you start assembling. If you need help tracking your delivery, please visit aftersaleservice.net or email vipservice68@outlook.com.

2. What should I do if my shipment is damaged or items are defective?

We ' re really sorry if you received a damaged or defective item. Please email us at vipservice68@outlook.com or chat with us at aftersaleservice.net. Send a description and some photos or videos of the damage, and we ' ll sort it out as quickly as possible.

3. Can I order replacement parts?

Yes! Just get in touch with our customer service at vipservice68@outlook.com or via chat at aftersaleservice.net. Tell us your order ID, and we ' ll help you with the parts you need.1

4. What warranty do you offer?

Our warranty covers damage that isn ' t caused by user error. If your product is damaged for these reasons, keep it and send us some photos at vipservice68@outlook.com. We ' ll review the damage within 24 hours and work for you to find a solution.

5. Why is there lubricant on the drawer slides?

No worries! The drawer slides are lubricated at the factory to ensure smooth movement and to help them last longer. This is completely normal.

6. Why does the new furniture have an odor?

A slight smell is normal with new furniture due to the materials and packaging. It should fade away after a few days of airing out.

7. Why is there a slight color difference in my furniture?

The color may appear different under varying lighting conditions and display settings. In dim lighting, the wood grain may look darker. This is completely normal and just part of the natural characteristics of the material.

8. My furniture seems smaller than expected. What should I do?

Our product dimensions are accurate. Pictures often focus closely on the item, which can make it appear larger than it really is. When placed in a bigger room, the furniture might seem smaller. Room layout and screen settings can also affect your perception of size. If you have any concerns or need more details, please contact our customer service at aftersaleservice.net or email vipservice68@outlook.com. We're here to help!

9. What should I do if I want to return the product?

We offer a 30-day return policy from when you receive your order. To start a return, please contact us through Amazon, email vipservice68@outlook.com, or visit aftersaleservice.net. Just let us know why you ' re returning the item, and we ' ll help you out.

WARNING



Children have died from furniture tipover. To reduce the risk of furniture tipover:

- ALWAYS install Anti-tip device provided.
- NEVER put a TV on this product.
- NEVER allow children to stand, climb or hang on drawers, doors, or shelves.
- NEVER open more than one drawer at a time.
- Place heaviest items in the lowest drawers.



*This is a permanent label.
Do not remove!*