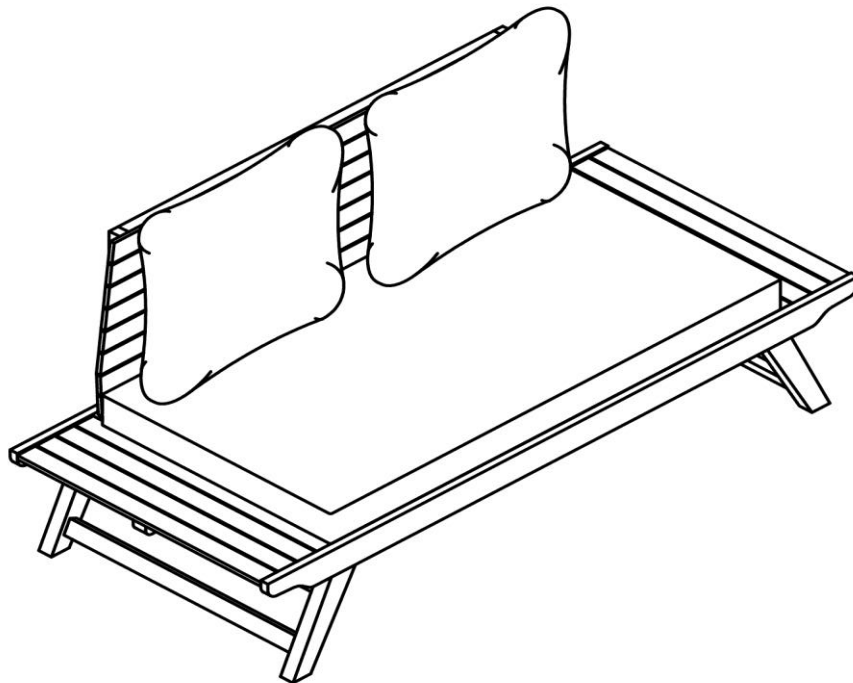


# Assembly Instructions

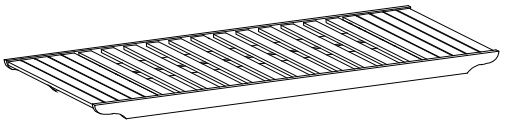
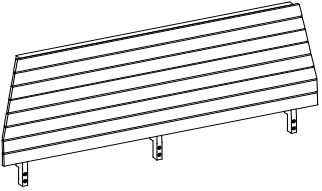
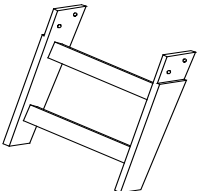
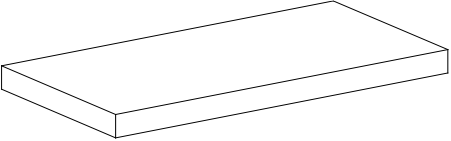
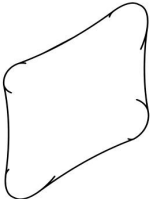
**Caution:** You must read this before you proceed

## Loveseat

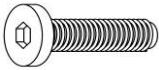





**CAUTION:** This Loveseat is NOT a TOY.  
Keep your child / children at bay during the assembly process.  
Whenever lifting or moving the Loveseat and to prevent damage to the Loveseat, two adults may be needed to execute these actions.

## Part List

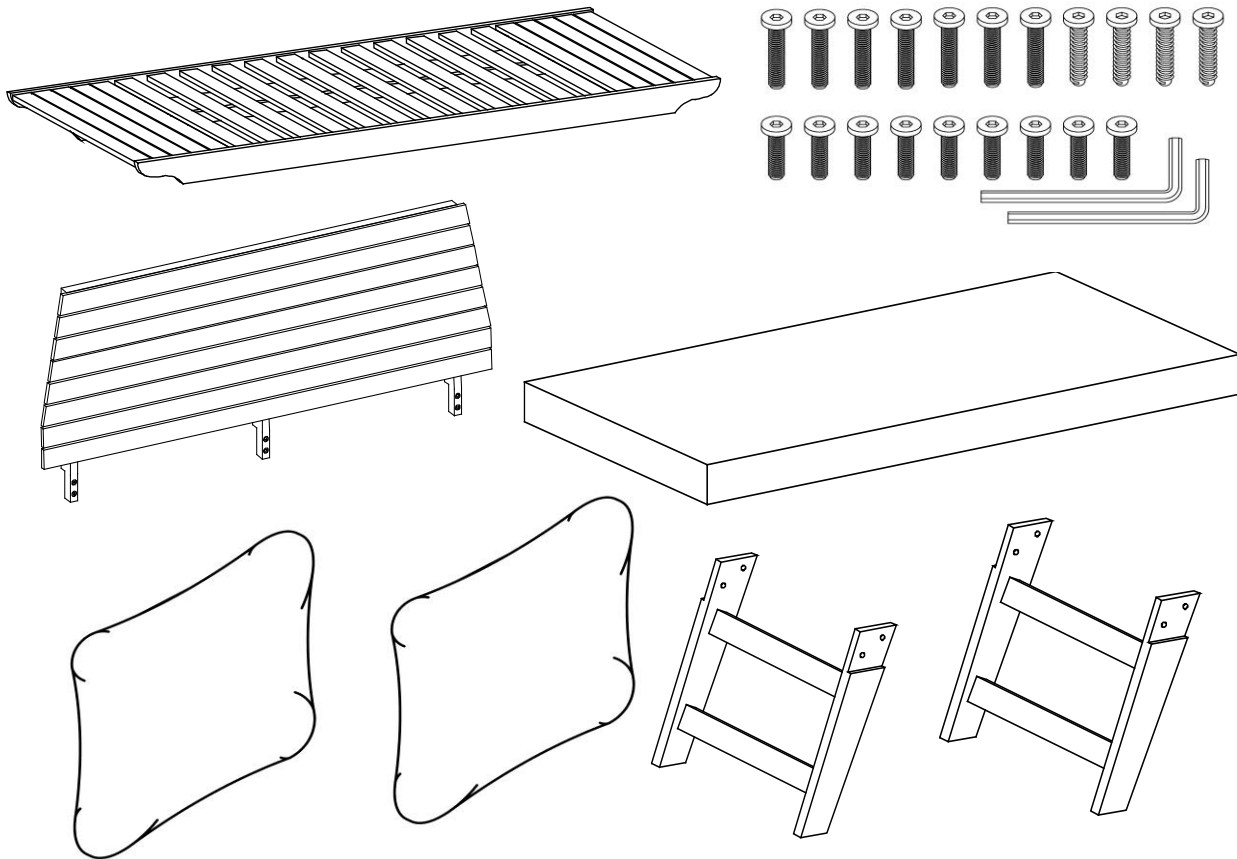
Label	Picture	Description	QTY
A		Seat Panel	1
B		Backrest Panel	1
C		Leg Frame	2
D		Seat Cushion	1
E		Pillow	2

## Hardware

Label	Picture	Description	QTY
①		Bolt (M6x30mm)	9
②		Bolt (M6x40mm)	7
③		Screw (M6x40mm)	4
④		Allen Key	2

# Assembly Preparation

Before Beginning Assembly:



- Read instructions, cover to cover-



- Have 2 adults on hand for assembly-



- Do not assemble on flooring or carpet-



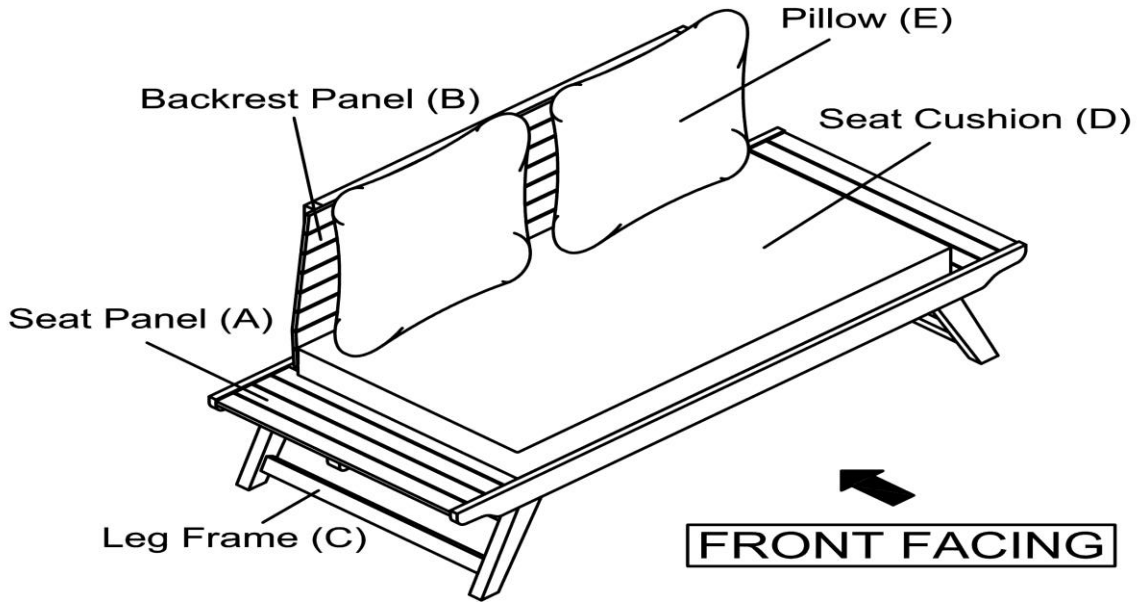
- Assemble on a clean non-marring surface (packing foam)-



- Save all packaging until finished-

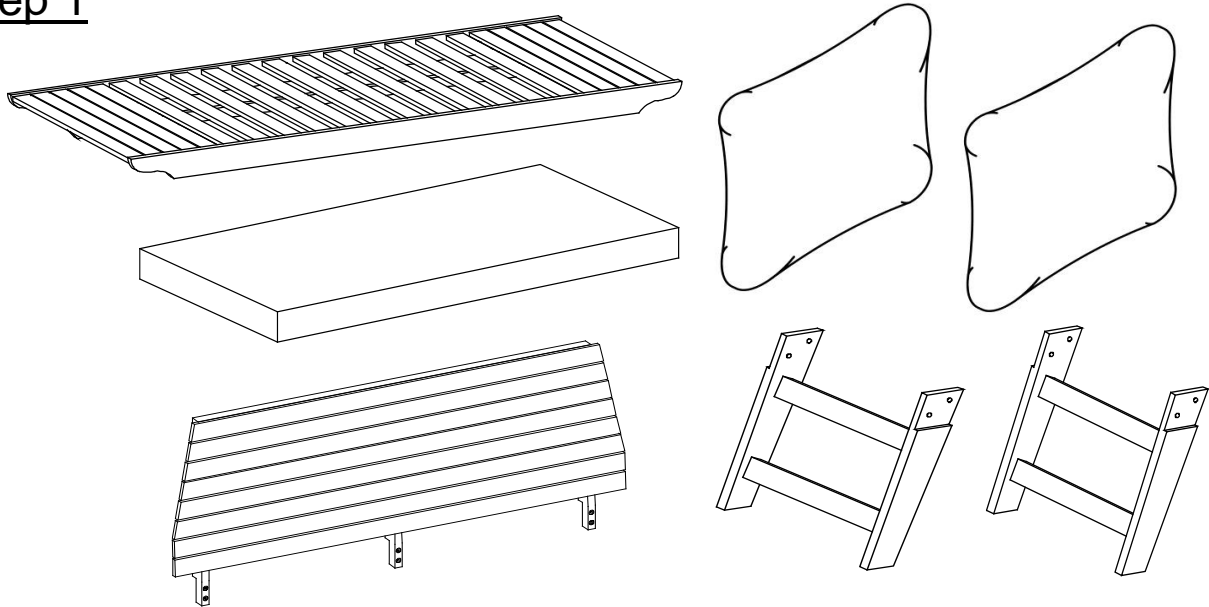
# Assembly Steps

## Overview



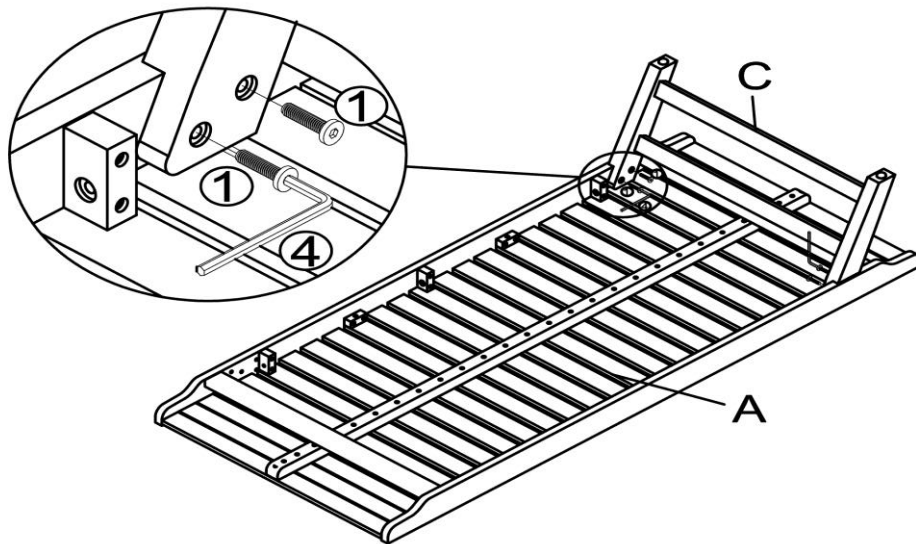
This Loveseat has multiple parts and may require up to 30 minutes to assemble. To give you an overview of the Loveseat parts, the above picture is to help you put the various parts into perspective. Please read through the instructions below to familiarise yourself with the parts and steps before assembly.

## Step 1



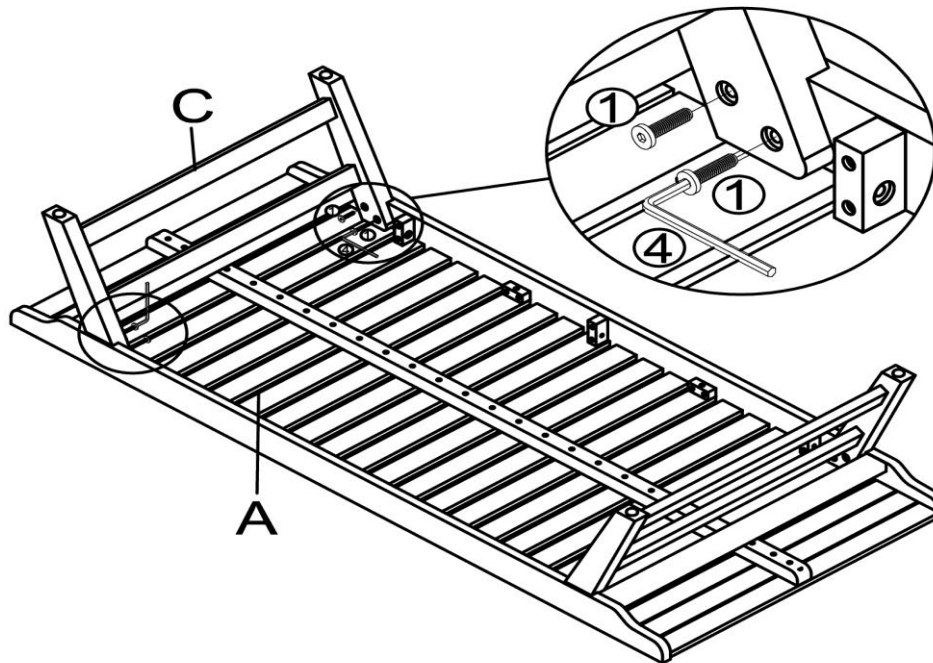
Unpack and place all parts on a clean, non-marring surface.

## Step 2



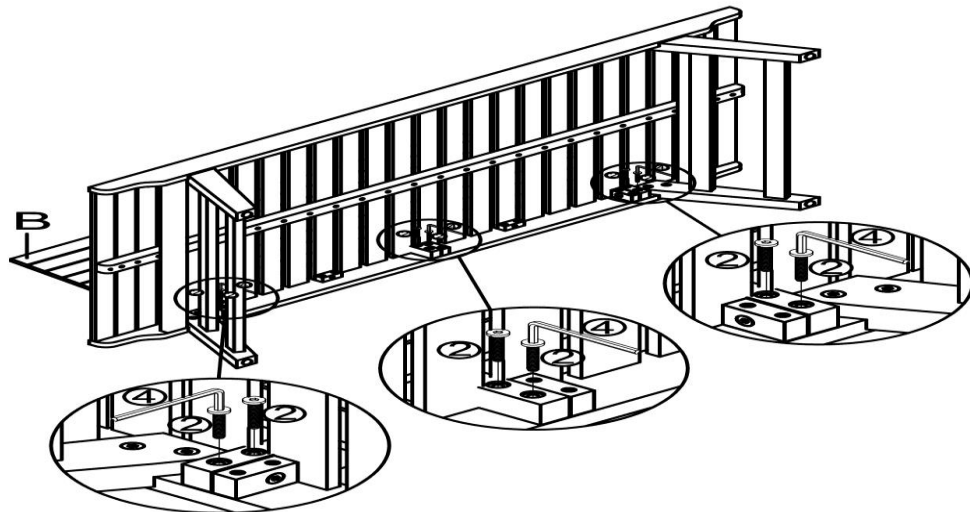
Place Seat Panel(A) facedown on a clean, non-marring surface.  
Attach Leg Frame(C) to Seat Panel(A) using Bolts(1) with Allen Key(4).  
**Do not fully tighten the Bolts.**

## Step 3



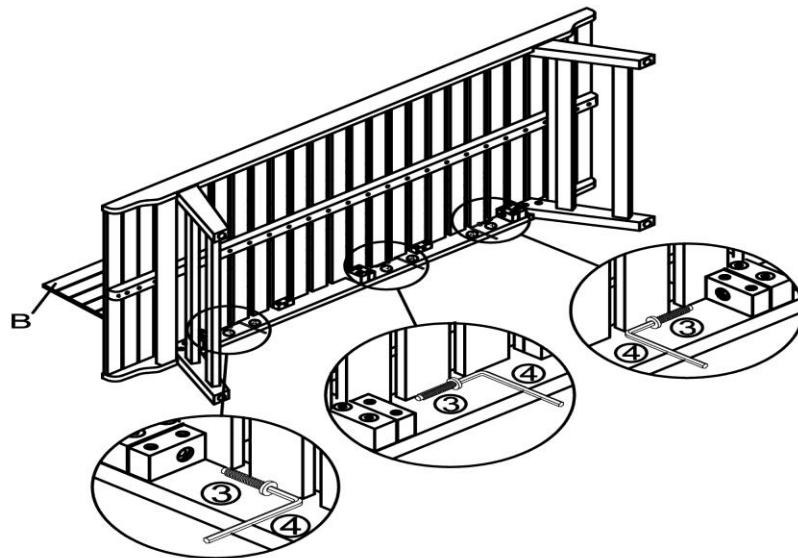
Attach the remaining Leg Frame(C) to Seat Panel(A) using Bolts(1) with Allen Key(4).  
**Do not fully tighten the Bolts.**

## Step 4



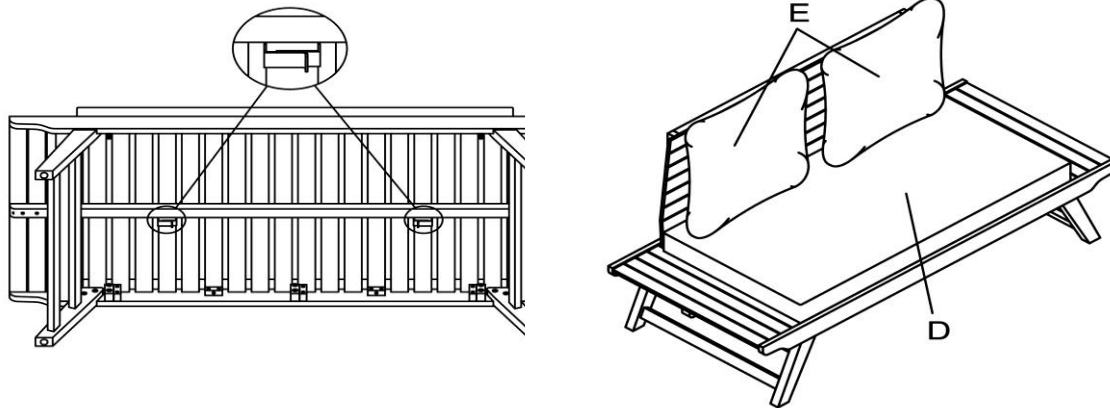
Place Backrest Panel(B) on a clean, non-marring surface.  
With assistance from your adult partners, align Seat Panel(A) to Backrest Panel(B) as shown above.  
Attach Backrest Panel(B) to Seat Panel(A) using Bolts(②) with Allen Key(④).  
**Do not fully tighten the Bolts.**

## Step 5



Attach Backrest Panel(B) to Seat Panel(A) using Screw(③) with Allen Key(④)  
**Do not fully tighten the Screws.**

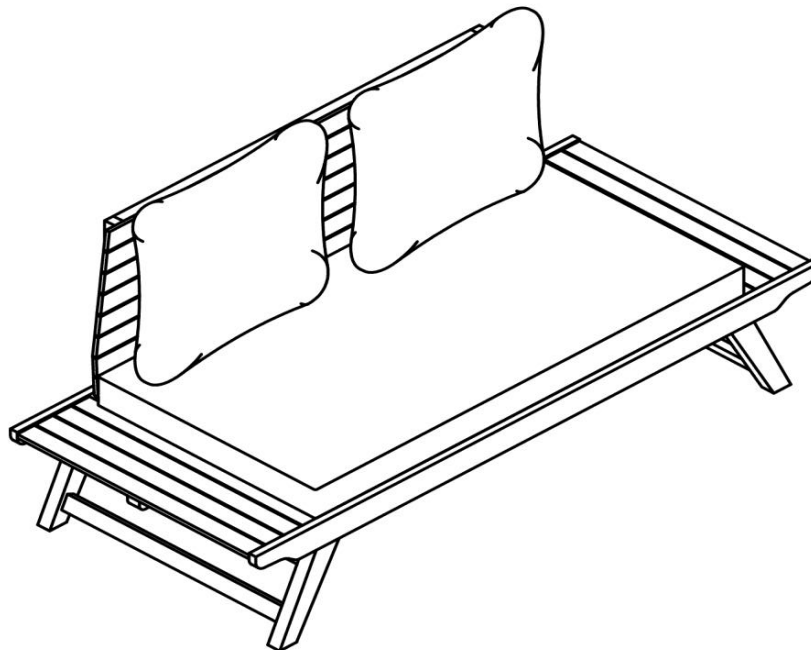
## Step 6



Place Seat Cushion(D) onto the Loveseat then tie the velcro of Seat Cushion (D) to the Chair as shown above

With assistance from your adult partners, turn the Loveseat right side up, place Pillow (E) to the Chair as shown above

## Step 7












EXERT pressure, floorwards onto the Loveseat with both hands.  
Inspect the Loveseat and make sure all parts are adequately connected.  
Carefully sit onto the Loveseat.

This pressure will help align all parts at all joints.  
In a sequential manner, tighten all Bolts at all joints.

**Your Loveseat is ready for use.**

**This Loveseat can only be used on a flat, level surface.**

## Care & Maintenance

-  ● Do not put hot items directly on furniture surface
  -  ● Do not clean furniture with harsh cleansers or polish.
  -  ● To obtain the longest lifespan of your outdoor products, minimizing exposure to direct sunlight is recommended.
  -  ● Children should not climb or jump on the furniture.
  -  ● Do not write on furniture without a padded barrier to protect the surface.
  -  ● To obtain the longest lifespan of your outdoor products, avoid extended and lengthy exposure to rain, snow, and direct sunshine. Whenever possible cover the product and /or place under patio or awnings.
  -  ● Not for commercial use. For residential use only .
  -  ● Stains may be removed with mild soap solution and damp cloth.
- 
-  ● Dust and pick-up spills using a clean, non-colored, lint-free cloth .