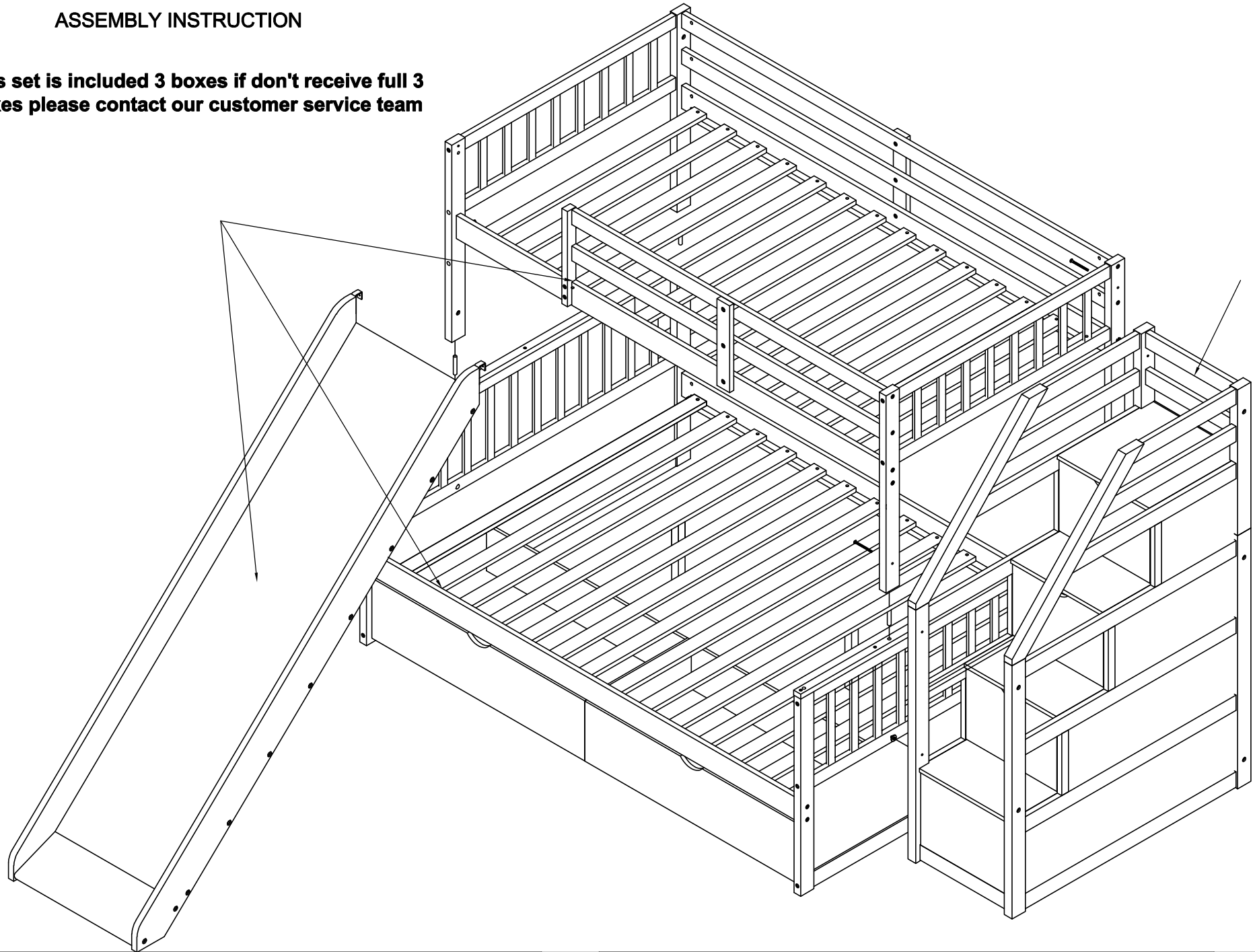


# ASSEMBLY INSTRUCTION

**This set is included 3 boxes if don't receive full 3 boxes please contact our customer service team**



# **! SAFETY WARNINGS !**

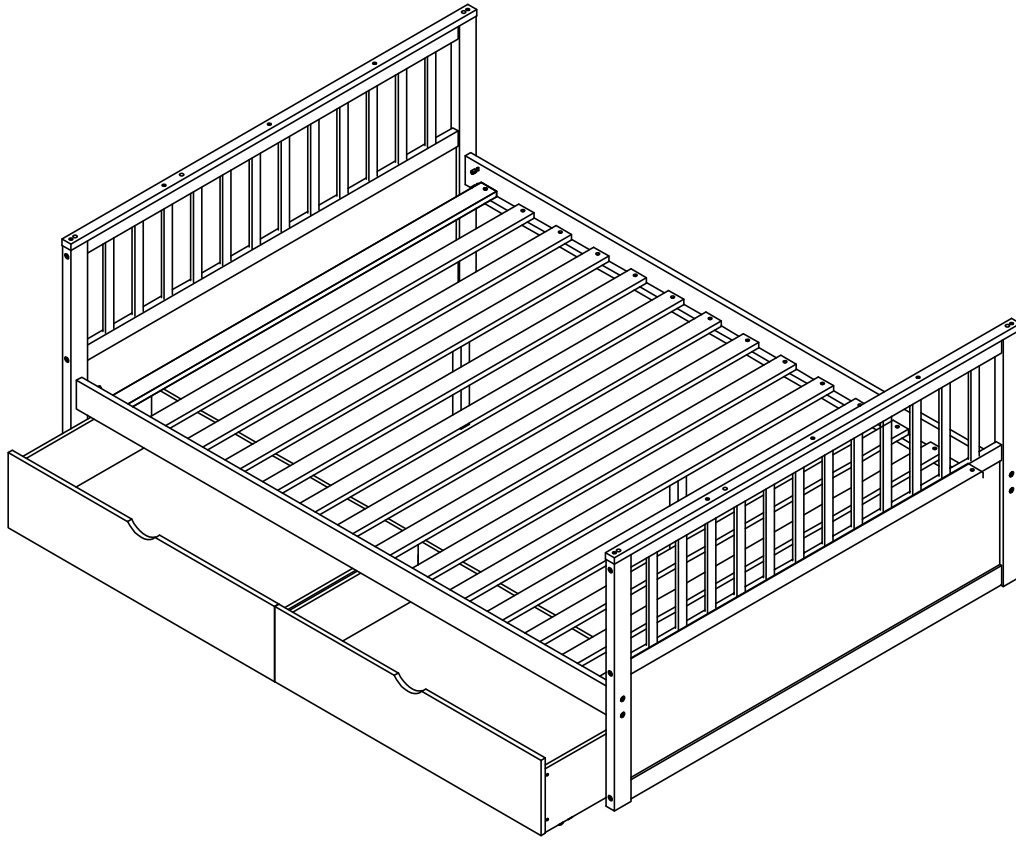
1. This bed is designed for use only mattress(es) meeting the following specifications on the upper bunk, and lower bunk:

<b>Bed Type</b>	<b>Length</b>	<b>Width</b>	<b>Thickness</b>
<i>Twin Standard</i>	<i>74" - 75"</i>	<i>38 1/2"</i>	<i>6" max</i>
<i>Full Standard</i>	<i>74" - 75"</i>	<i>53 1/2 "</i>	<i>6" max</i>

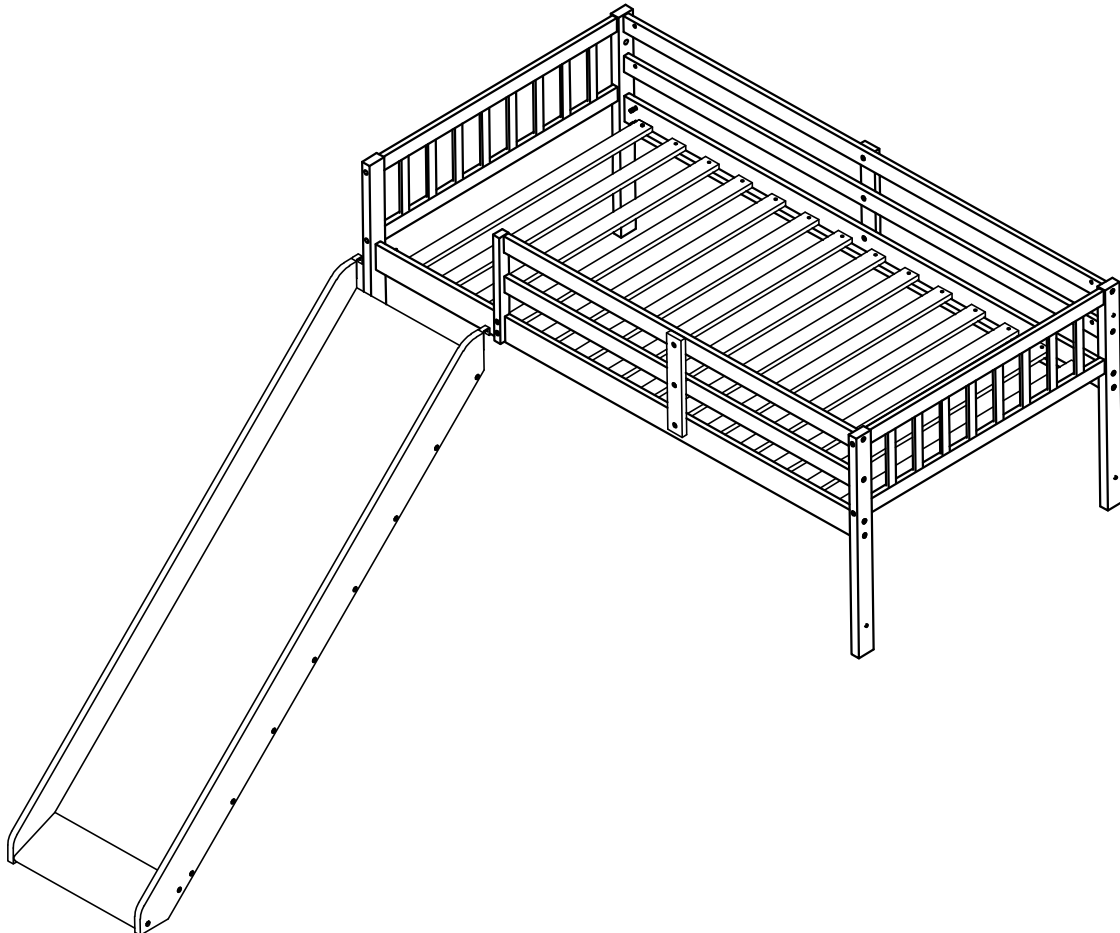
2. Replacement parts, including additional guardrails, may be obtained from any of our dealers
3. Follow the information on the warnings appearing on the upper bunk bed end structure and on the carton. Do not remove warning label from bed.
4. Always use the recommended size mattresses or mattress supports, or both, to help prevent the likelihood of entrapment or falls.
5. Surface of the mattress must be at least 5 in. (127 mm) below the upper edge of guardrails.
6. Do not allow children under 6 years of age to use the upper bunk.
7. Periodically check and ensure that the guardrail, ladder, and other components are in their proper position, free from damage, and that all connectors are tight.
8. Do not allow horseplay on or under the bed and prohibit jumping on the bed
9. Always use the ladder for entering and leaving the upper bunk.
10. Do not use substitute parts. Contact the manufacturer or dealer for replacement parts.
11. Use of a night light may provided added safety precaution for a child using the upper bunk.
12. Always use guardrails on both long sides of the upper bunk. If the bunk bed will be placed next to the wall, the guardrail that runs the full length of the bed should be placed against the wall to prevent entrapment between the bed and wall.
13. The use of water or sleep flotation mattresses is prohibited.
14. **STRANGULATION HAZARD** – Never attach or hang items to any part of the bunk bed that are not designed for use with the bed; for example, but not limited to, hook, belts and jump ropes.
15. Keep these instructions for future reference

# HOW TO COMPLETE YOUR SET

**STEP 1: Complete Assembly Bottom Full Bed and 2 Drawers.**

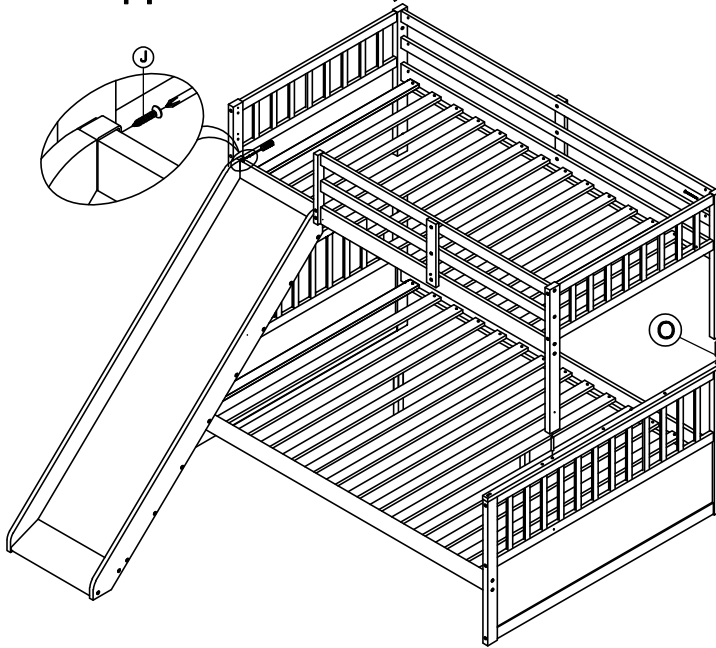
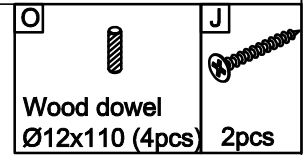


**STEP 2: Complete Assembly Upper Twin Bed and Slider**

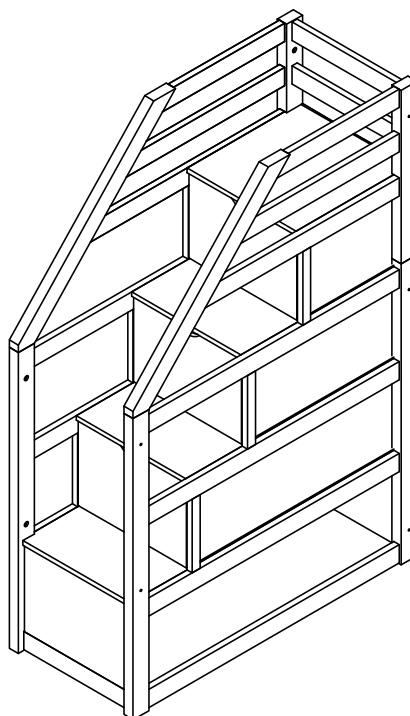


# HOW TO COMPLETE YOUR SET



**STEP 3:** Put Upper Twin bed on top of Full Bed, use wood dowel (Hardware part O) to connect 2 beds.  
Hook the Slider on Upper Twin Bed, use screw J



**STEP 4:** Complete Assembly Storage Stair Case



**STEP 4:** Use Hardware part 7 to connect Storage Staircase to Left or Right side of Bundbed

J	7
	
1PC	5PCS

Right Side

**The Staircase can be use on both left or right side, please follow below instruction to assembly either right or left side**

Left Sight

