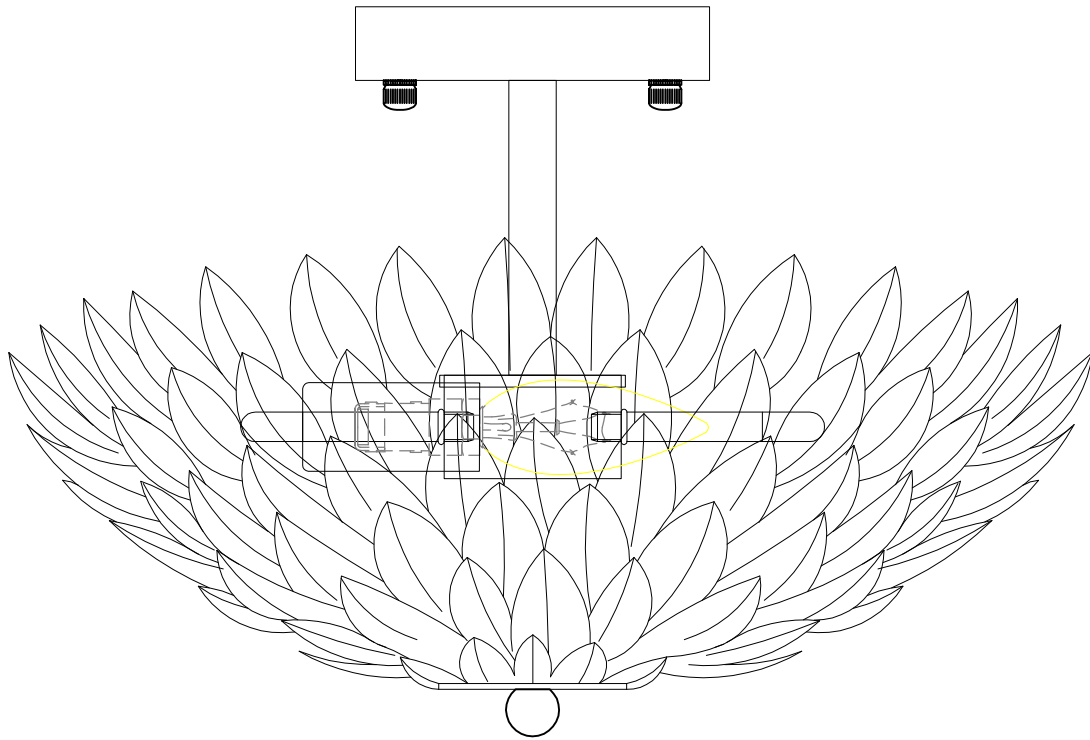


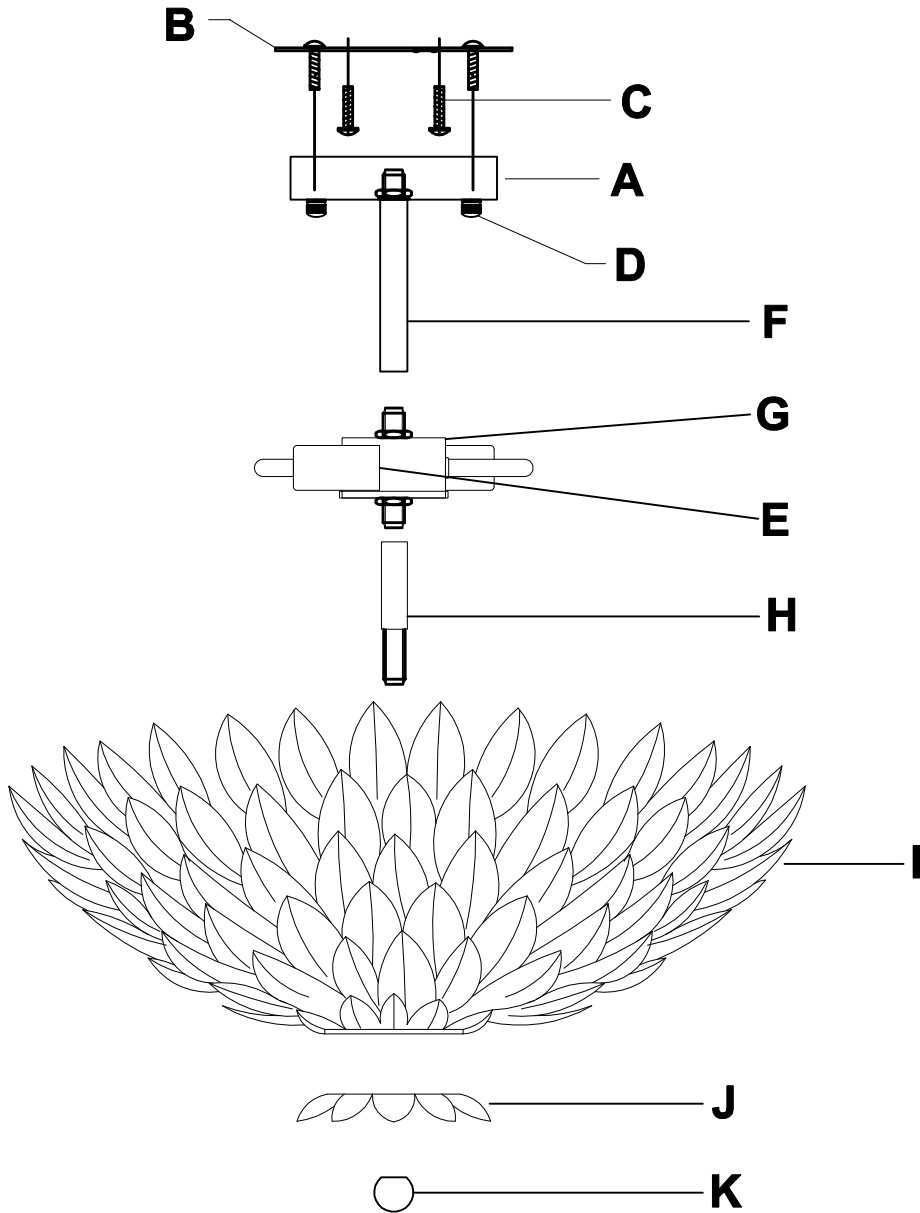
WARNING: SHUT POWER OFF AT FUSE OR CIRCUIT BREAKER

3-LIGHT CHANDELIER



WARNING: SHUT POWER OFF AT FUSE OR CIRCUIT BREAKER

PACKAGE CONTENTS

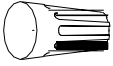


PART	DESCRIPTION	QTY.	PART	DESCRIPTION	QTY.
A	Canopy	1	G	Lamp body	1
B	Mounting Bracket	1	H	Small suspension rod	1
C	Tapping screw	2	I	Flower branch iron frame	1
D	Flower branch mother	2	J	Hardware flower cover	1
E	Socket	3	K	Inner tooth cap	1
F	Suspender	1			

WARNING: SHUT POWER OFF AT FUSE OR CIRCUIT BREAKER

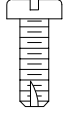
HARDWARE CONTENTS

AA



Wire
Connector
Qty: 3

BB



Short
Machine
Screw
Qty: 2

! SAFETY INFORMATION

Please read and understand this entire manual before attempting to assemble, operate or install the product.

! WARNING

- . IMPORTANT: NEVER attempt any work without shutting off the electricity.
- . Place the main power switch in the "OFF" position and unscrew the fuse(s), or switch "OFF" the circuit breaker switch(es), that control the power to the fixture or room you are working in.
- . Place the wall switch in the "OFF" position. If the fixture to be replaced has a switch or pull chain, place it in the "OFF" position.
- . Do not use bulbs with wattage greater than specified on this fixture.
- . California Prop. 65: This lighting fixture contains chemicals known to the state of California to cause cancer, birth defects, and/or other reproductive harm. Wash hands after use.

CAUTION

- . If you have any doubts about how to install this lighting fixture, or if the fixture fails to operate completely, please contact a licensed electrical contractor.
- . All parts must be used as indicated in these instructions. Do not substitute any parts, leave parts out, or use any parts that are worn out or broken. Failure to obey this instruction could invalidate ETL listing and/or C.S.A. certification of this fixture.

PREPARATION

Before beginning assembly of product, make sure all parts are present. Compare parts with package contents list and hardware contents list. If any part is missing or damaged, do not attempt to assemble the product.

Estimated assembly time: 30 minutes to 1 hour

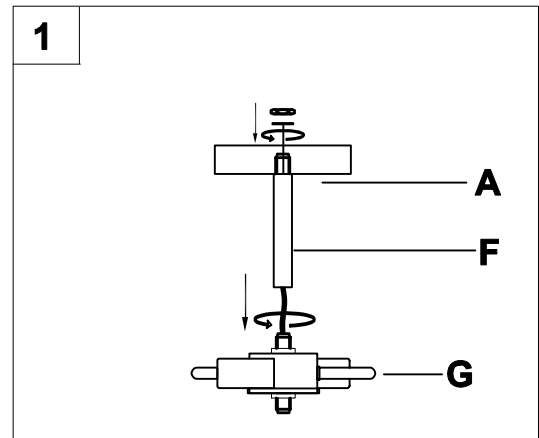
Tools Required for Assembly (not included): Phillips screwdriver, flathead screwdriver, wire strippers, electrical tape, ladder, safety glasses.

WARNING: SHUT POWER OFF AT FUSE OR CIRCUIT BREAKER

ASSEMBLY INSTRUCTIONS

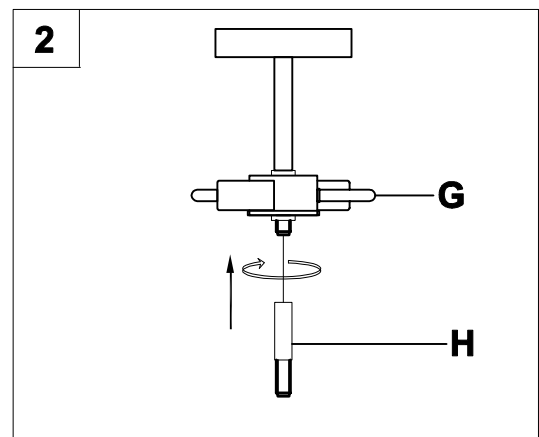
1. Lamp body (G) Suspender (F). Canopy (A).

Note: The main line of the lamp body passes through a suspension rod, which is tightened onto the lamp body. The suction tray is locked onto the suspension rod.



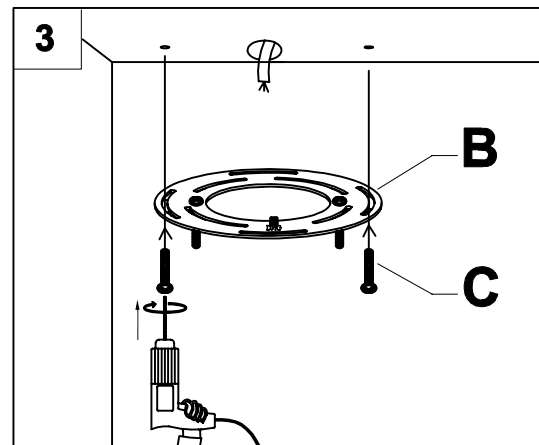
2. Lamp body (G) Small suspension rod (H).

Note: Tighten the lower suspension rod lamp body onto the lamp body.



3. Mounting Bracket (B) Tapping screw (C)

Note: Tighten the hanging plate onto the wall with self tapping screws



WARNING: SHUT POWER OFF AT FUSE OR CIRCUIT BREAKER

ASSEMBLY INSTRUCTIONS

4. Wire connection guide:

Ground wire:

- **For installation in the United States:** Wrap ground wire from outlet box around ground screw preassembled on mounting bracket (B) no less than 2 in. from wire end. Tighten ground screw. If fixture is supplied with a ground wire, connect to outlet ground wire with a wire connector (AA).
- **For installation in Canada:** If fixture is supplied with ground wire, wrap ground wire around ground screw on mounting bracket (B). Tighten ground screw. Connect fixture ground wire to outlet ground wire with the wire connector (AA).

Supply wires:

- Connect the Neutral (White) supply wire from the outlet box to the Neutral fixture wire (White or Parallel Cord "D" shaped and ribbed).
- Connect the Hot (Black) supply wire from the outlet box to the Hot fixture wire (Black or Parallel Cord round and smooth).

NOTE:

Fixture wires will either be:

- Black and White.
- Parallel Cord SPT-1 lamp wire with one round smooth wire and one "D" shaped ribbed wire.

Hard ware Used

AA Wire Connector

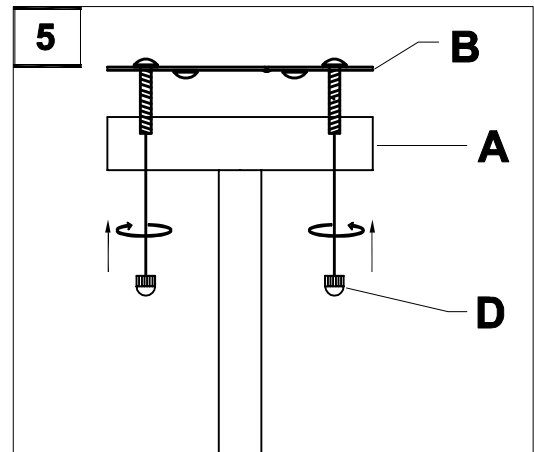
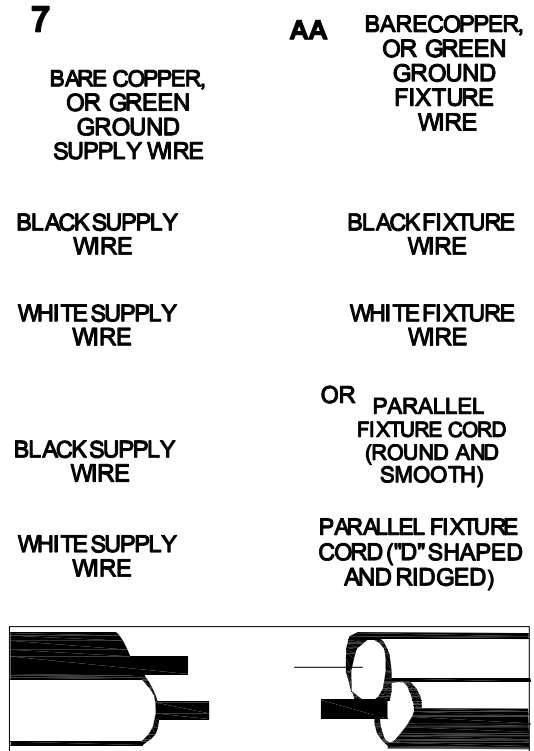


x 3

5. Mounting Bracket (B) Canopy (A)

Flower branch mother (D)

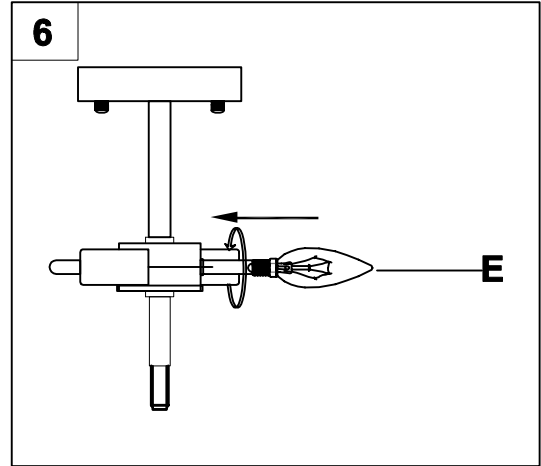
Note: Align the hole position of the ceiling panel with the hanging plate screw, and top the lamp body onto the wall. Lock the lamp body with flower branch nuts.



WARNING: SHUT POWER OFF AT FUSE OR CIRCUIT BREAKER

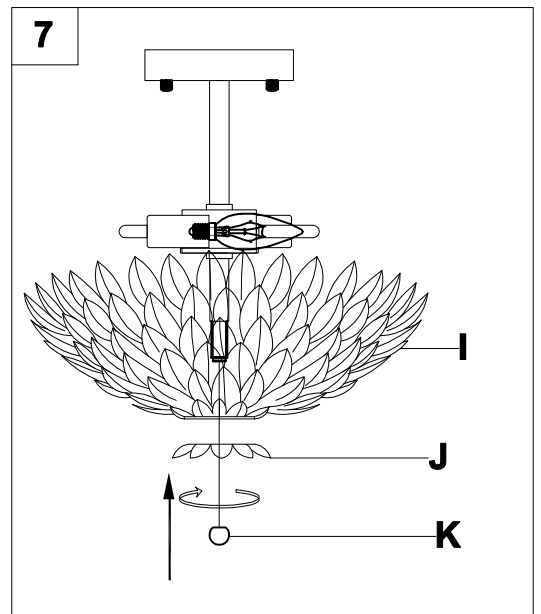
ASSEMBLY INSTRUCTIONS

6. Insert 40-watt max. candelabra-base incandescent bulb or CFL/LED equivalent (none included) into socket (E).



7. Flower branch iron frame (I).
Hardware flower cover (J). Inner tooth cap (K).

Note: String the flower branch iron frame and hardware flower crown through the full tooth rod in sequence, and then tighten the inner tooth cap.



CARE AND MAINTENANCE

- . Always be certain that electric current is turned off before cleaning this item.
- . Use a soft, moist cloth with mild non-abrasive soap to clean fixture. Never use glass cleaner on fixture, as it will damage the metal finish.
- . All glass shades may be washed in a towel-lined sink with warm water and mild soap. Do not wash shades in an automatic dishwasher.

TROUBLE SHOOTING

PROBLEM	POSSIBLE CAUSE	CORRECTIVE ACTION
Fixture does not light.	1. Fixture may be wired incorrectly. 2. Worn or broken bulb.	1. Check wiring. 2. Replace bulb.

WARNING: SHUT POWER OFF AT FUSE OR CIRCUIT BREAKER

WARRANTY

The manufacturer warrants that its products will be free from defects in material and workmanship for one (1) year from the date of purchase by the original purchaser.

To replace a product with a warranted defect, the original purchaser must return any allegedly defective parts or products to the authorized warehouse from which the product was purchased, along with proof of purchase, the original purchaser's name and return address, and a description of the claimed defect.

If any warranted products are found, at the manufacturer's sole discretion, to be defective, such products will, at its option and cost, be replaced, repaired, or refunded, less an amount directly attributable to the original purchaser's prior use of the product. The repaired or replaced product will be returned with prepaid freight. This warranty does not cover labor or other costs or expenses required to remove or install any defective, repaired, or replaced product.

The parties expressly agree that the original purchaser's sole and exclusive remedy shall be the repair, replacement, or refund of defective products as provided herein. This warranty extends only to the original purchaser and is not transferable to heirs, subsequent owners, or otherwise, and becomes void if the original purchaser no longer owns the product.

This warranty does not apply to any products that have been subjected to misuse, mishandling, misapplication, connection to voltage more than 5% above standard North American voltage, unusual use (including but not limited to use in environments where the annual average ambient operating temperature is below 27°F or above 95°F), neglect (including improper maintenance), accidents, acts of God such as high winds, improper installation or care, failure to follow written instructions for normal use and care, improper packaging of returned products, modification (including use of unauthorized parts or attachments), or unauthorized adjustment or repair.

Significant exposure to chemicals, harsh cleaners, salt water, or salt air will void all warranties on exterior finishes. This warranty applies only when all components, including transformers, are provided by the manufacturer. Substituting another manufacturer's products or components will render the warranty void.

THIS WARRANTY GIVES YOU SPECIFIC LEGAL RIGHTS. YOU MAY ALSO HAVE OTHER RIGHTS WHICH VARY FROM STATE TO STATE. SOME STATES DO NOT ALLOW LIMITATIONS ON IMPLIED WARRANTIES OR THE EXCLUSION OR LIMITATION OF INCIDENTAL OR CONSEQUENTIAL DAMAGES, SO THE ABOVE LIMITATIONS OR EXCLUSIONS MAY NOT APPLY TO YOU.

THE FOREGOING WARRANTY IS IN LIEU OF ALL OTHER WARRANTIES, EXPRESS OR IMPLIED, INCLUDING WARRANTIES OF MERCHANTABILITY, FITNESS FOR A PARTICULAR PURPOSE, OR NON-INFRINGEMENT. THE ORIGINAL PURCHASER SHALL NOT BE ENTITLED TO, AND THE MANUFACTURER SHALL NOT BE LIABLE FOR, ANY INDIRECT, SPECIAL, INCIDENTAL, OR CONSEQUENTIAL DAMAGES OF ANY KIND, INCLUDING BUT NOT LIMITED TO LOSS OF PROFITS, PROMOTIONAL OR MANUFACTURING EXPENSES, OVERHEAD, INJURY TO REPUTATION, OR LOSS OF CUSTOMERS.