

# WARNING!!

Children have died from furniture tipover. Tip restraints have been included with this product; you must install the tip restraints according to these instructions in order to minimize the risk of furniture tipping.

**NEVER** allow children to climb or hang on furniture, including drawers or cabinet doors.

In addition to installing the restrains, to help prevent tip-over

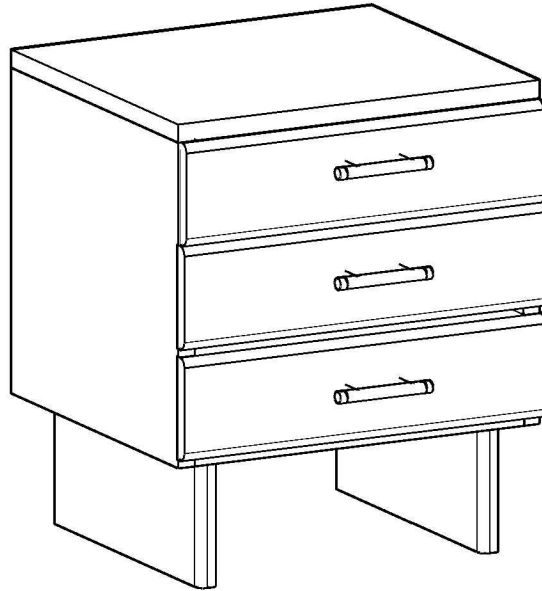
1. **NEVER** put a TV or other heavy objects on top of this product".
2. Do not stand on the product.

<b>⚠ WARNING</b>	
	<p><b>Children have died from furniture tipover. To reduce the risk of furniture tipover:</b></p> <ul style="list-style-type: none"><li>• ALWAYS install tipover restraint provided.</li><li>• NEVER put a TV on this product.</li><li>• NEVER allow children to stand, climb or hang on drawers, doors, or shelves.</li><li>• NEVER open more than one drawer at a time.</li><li>• Place heaviest items in the lowest drawers.</li><li>• Do not defeat or remove the drawer interlock system.</li></ul> <p><i>This is a permanent label. Do not remove!</i></p>
	

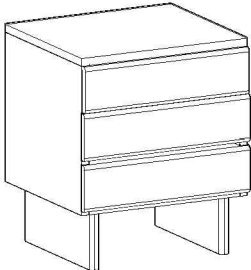
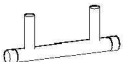
# Assembly Instructions

**Caution: You must read this before you proceed.**


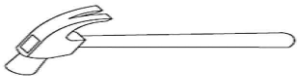
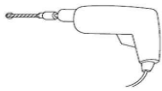





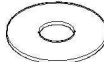
## **SIDE TABLE**



## Parts List

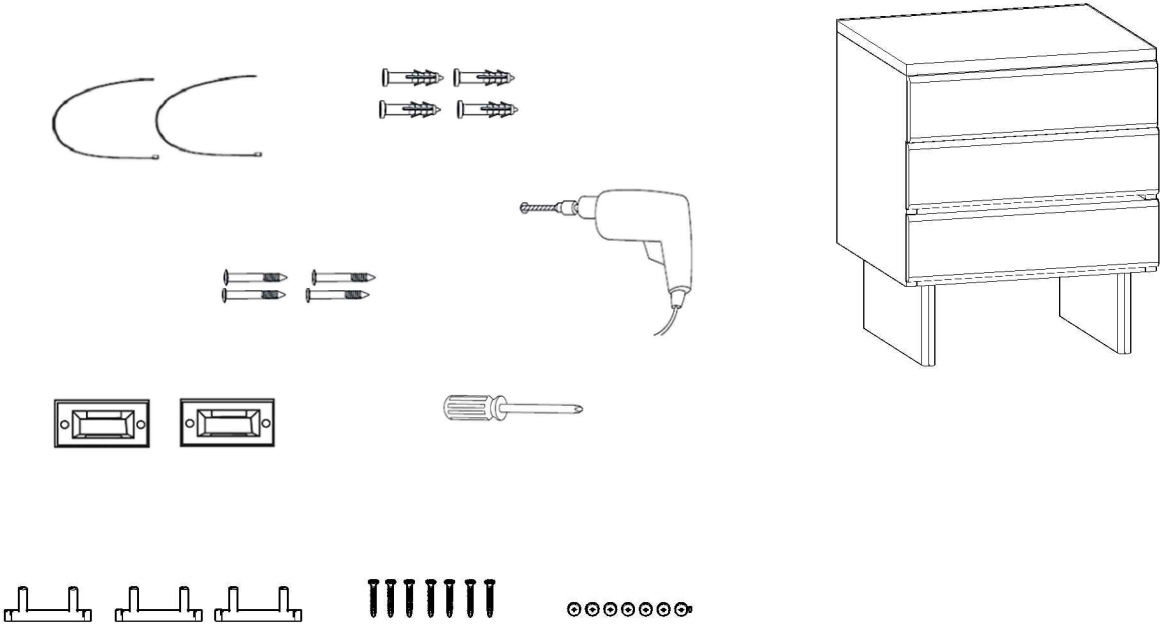
Label	Picture	Description	QTY
A		Side Table	1
B		Handles	3

# Hardware

Lable	Picture	Description	Qty
①		Screwdriver (not provided)	1
②		Hammer (not provided)	1
③		Power Drill (not provided)	1
④		Bracket	2
⑤		Wall Plug Screw (M5 x 25mm)	4
⑥		Wall Plug (M5 x 35mm)	4
⑦		Tipover Restraint Strap	2
⑧		Screw (31.75 mm)	7
⑨		Washers (5mm)	7

# Assembly Preparation

Before Beginning Assembly:



The illustration shows the following hardware items: two tipover restraint straps (C-shaped), four wall plug screws (M5 x 25mm), four wall plugs (M5 x 35mm), a power drill, two brackets, a screwdriver, three feet, seven screws (31.75 mm), and seven washers (5mm). To the right is a line drawing of a three-drawer cabinet with four legs, representing the product being assembled.



- Read instructions, cover to cover—



- Have 2 adults on hand for assembly—



- Do not assemble on flooring or carpet—



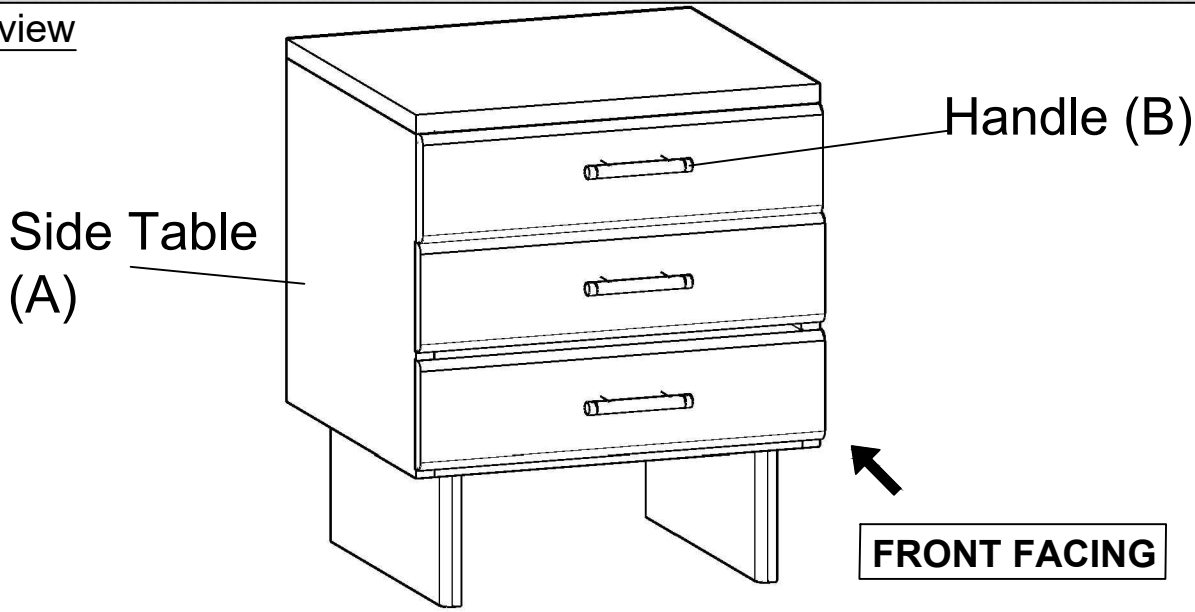
- Assemble on a clean non-marring surface (packing foam)—



- Save all packaging until finished—

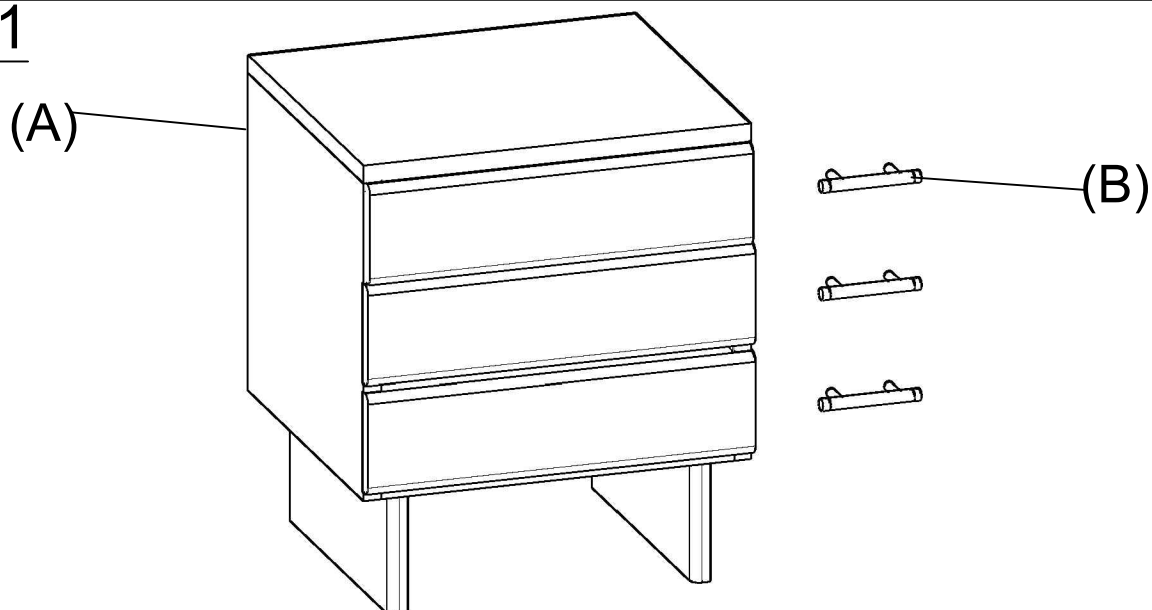
## Assembly Steps

### Overview



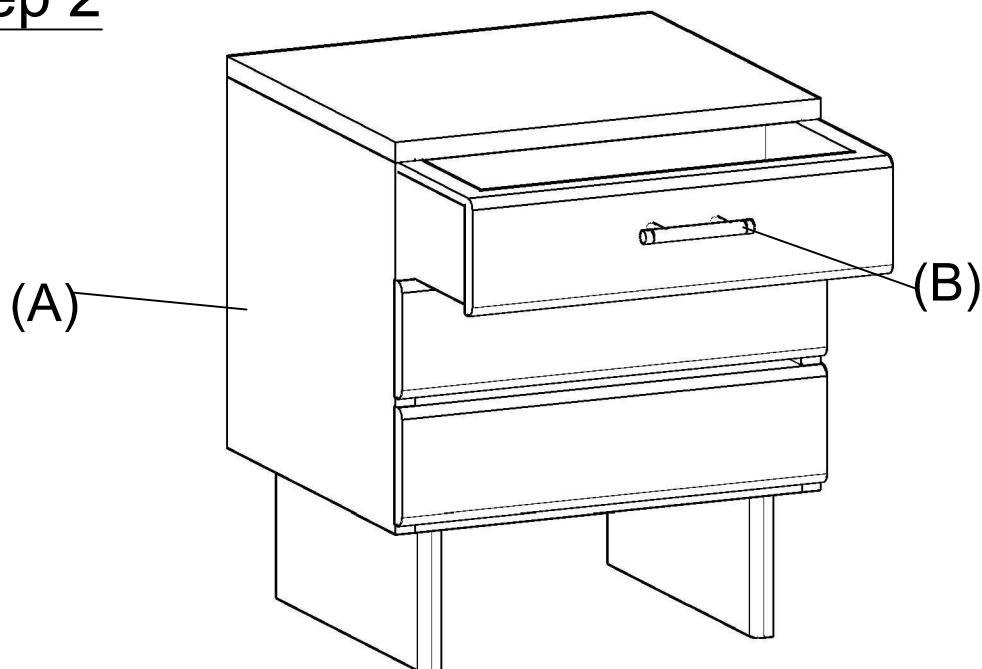
This Side Table has multiple parts and may require up to some 30 minutes to assemble. To give you an overview of the Side Table parts, the above picture is to help you put the various parts into perspective. Please read through the instructions herebelow to familiarise yourself with the parts and steps before assembly.

### Step 1



Unpack and place all parts on a clean, non-marring surface.

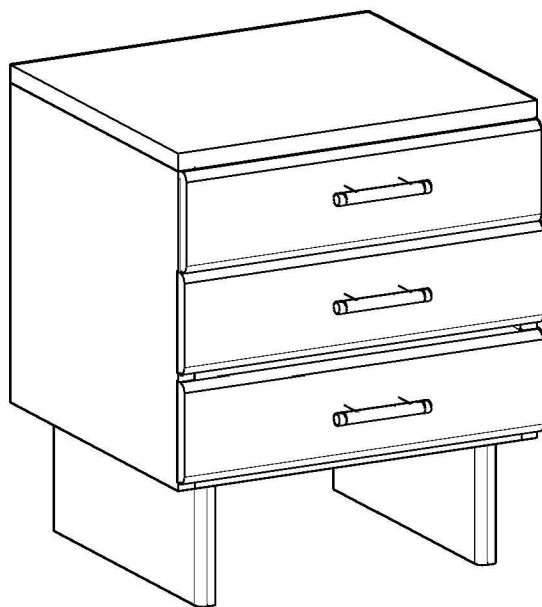
## Step 2



Place the Side Table (A) onto a clean, soft surface to avoid any scratches or damages to the product.

Fix Handles (B) to Drawer by using Screw (⑧) & Washers (⑨) with the help of a Screwdriver (①). Repeat the same process to attach all the remaining Handles(B).

## Step 3



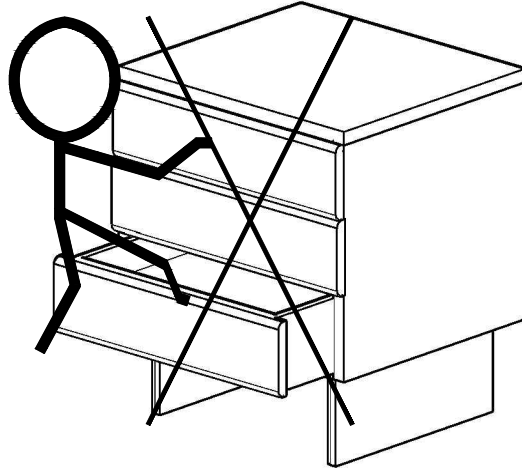
Turn the Bedside right side up

Place the Bedside on a LEVEL SURFACE.

# Tipover Restraint Device Installation Instructions

## **WARNING**

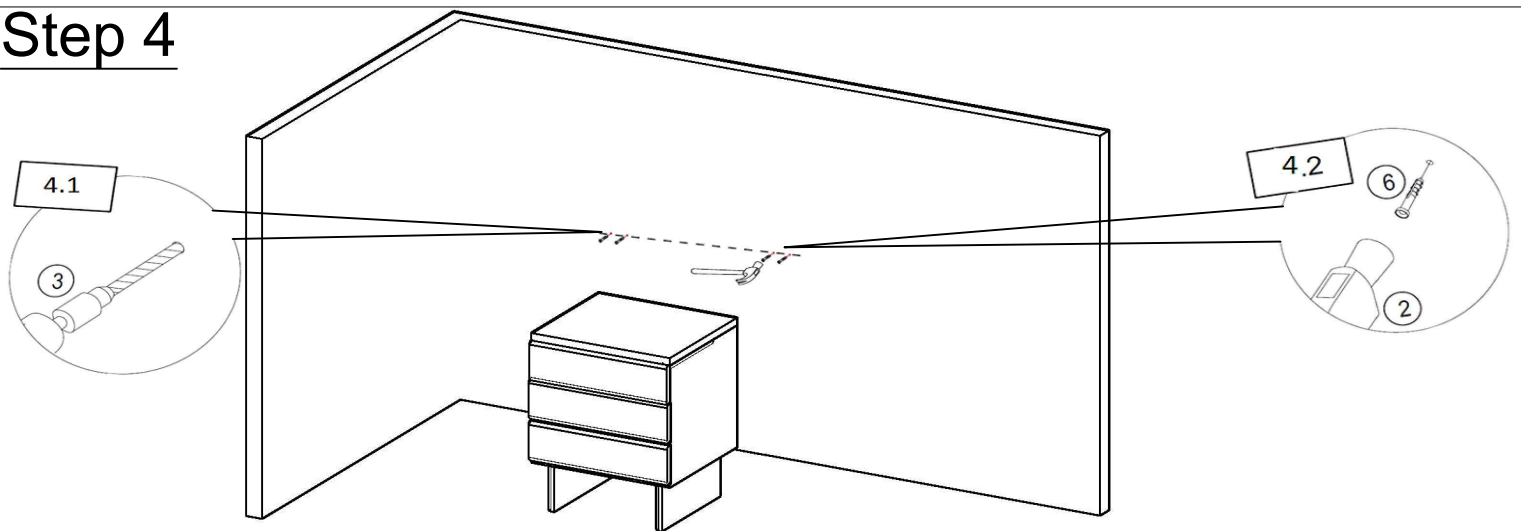
**Serious or fatal crushing injuries can occur from tipping furniture. To help prevent tip-over: ALWAYS secure this furniture to the wall using Tipover Restraint Device. See product instructions for more ways to help prevent furniture tip-over.**



### **Usage For Tipover Restraint Device:**

To secure Side Table against wall, attach two Brackets(④) on wall ,use Tipover Restraint Strap(⑦) to connect the Brackets(④).

## **Step 4**



4.1) Drill four holes on wall at same height as Brackets(④)on Side Table with Power Drill(③).

**You can mark these points in two ways as below:**

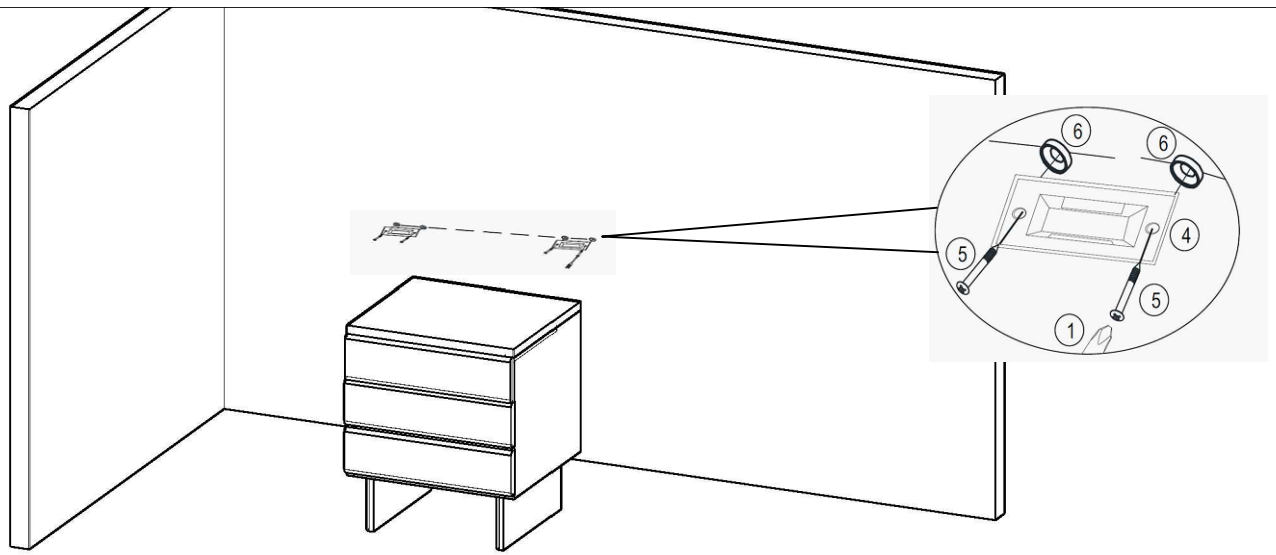
1) Move the Side Table back to the wall. Mark two points same height as Side Table on the wall.

**Note: The Brackets need to be secured to solid, load bearing surface. Please use a Stud Finder(not supplied) if needed to locate the Wall Frame.**

2) Measure the height of the Brackets(④) with ruler/measuring tape and mark on wall to keep them accurate and same height.

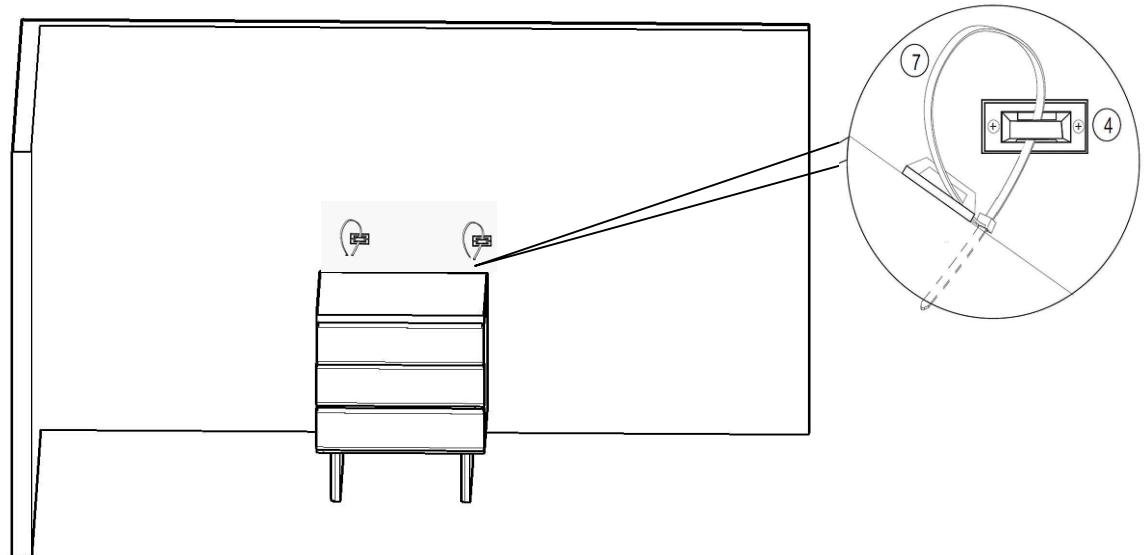
4.2) Insert Wall Plugs(⑥) into drilled holes on wall with Hammer(②).

## Step 5



Attach Brackets( ④) to Wall Plugs(⑥) using Wall Plug Screws(⑤) with the help of a Screwdriver (①).

## Step 6



Move Side Table to the wall.

Pull the Tipover Restraint Strap(⑦) through the Brackets(④) on the wall and around the metal frame of the Bedside one by one, and pull the Tipover Restraint Strap(⑦) tight. See picture for reference.

This Side Table is now ready to use.

**Caution: This Side Table can only be used on flat, LEVEL SURFACE ONLY.**

## Care & Maintenance



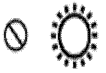
- Furniture may scratch floors. We recommend using furniture pads to protect your floors.



- Do not put hot items directly on furniture surface.



- Do not clean furniture with harsh cleansers or polish.



- Do not place furniture under direct sunlight.



- Do not place furniture near heating or cooling vents.



- Do not write on furniture without a padded barrier to protect the surface.



- Do not place furniture outside . For indoor use only.



- Not for commercial use. For residential use only.



- Stains may be removed with mild soap solution and damp cloth.



- Children should not climb or jump on the furniture.



- Dust and pick-up spills using a clean, non-colored, lint-free cloth.