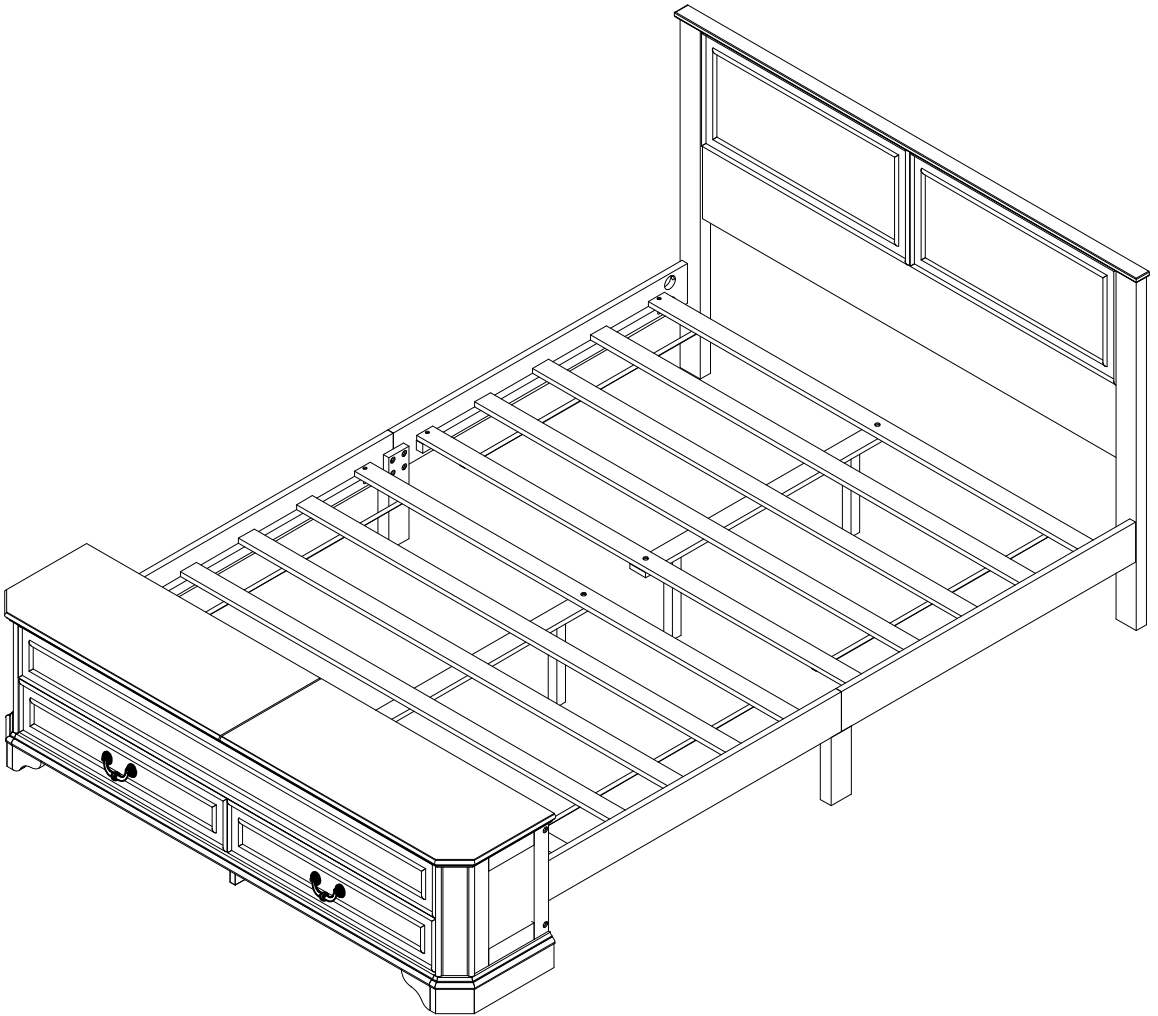


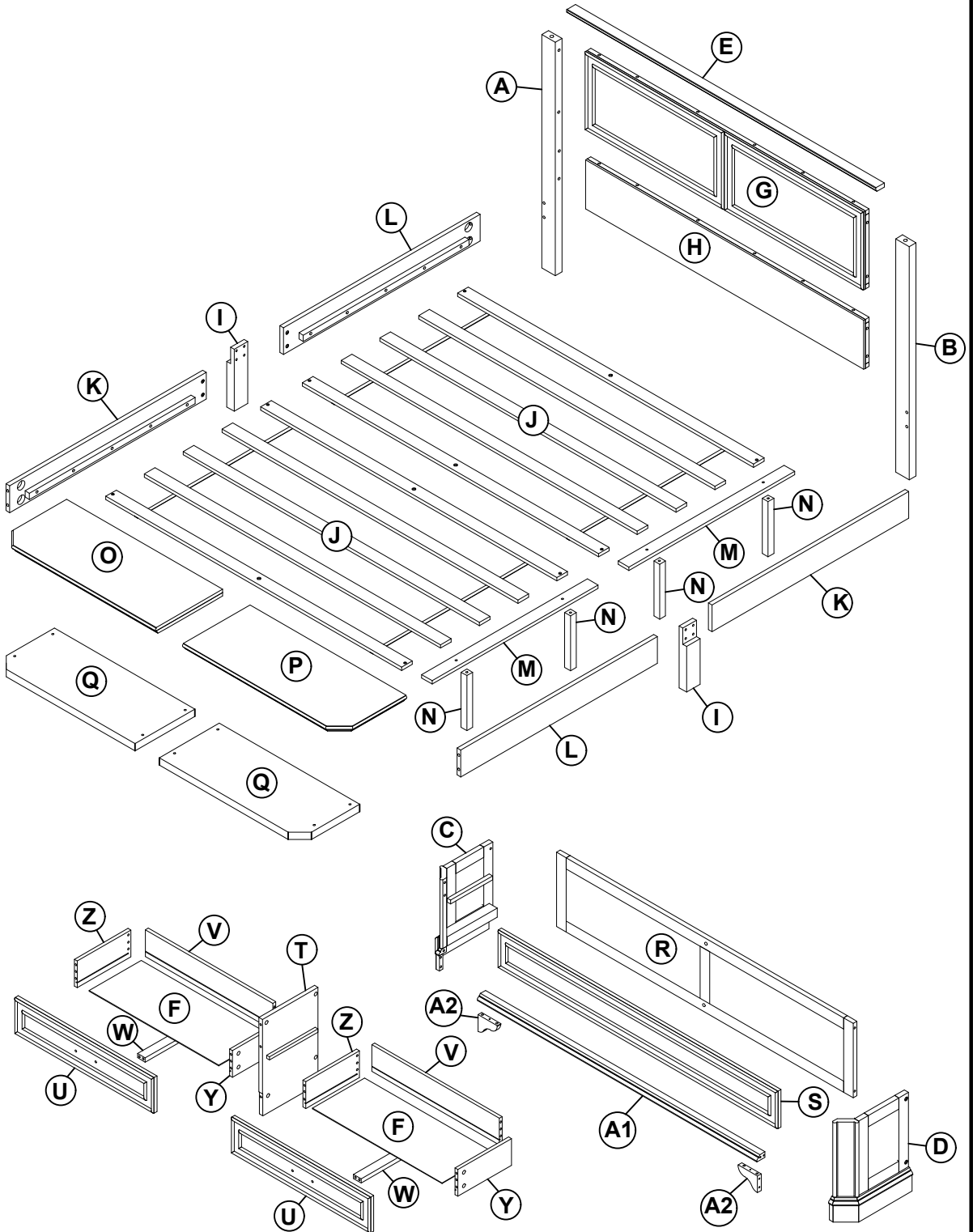
ASSEMBLY INSTRUCTIONS

QUEEN BED , STORAGE BENCH

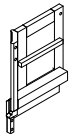
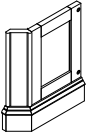
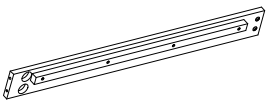
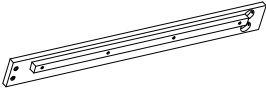

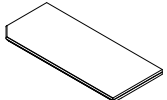
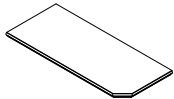
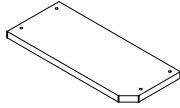
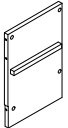
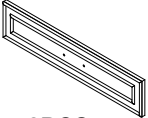

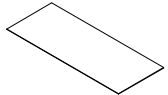


SD33025




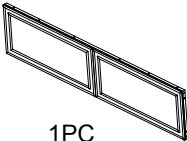
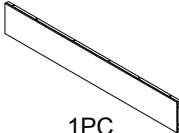

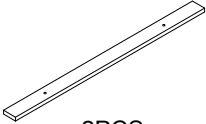
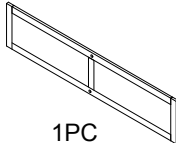
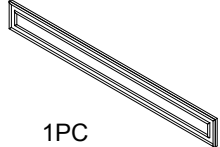
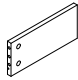
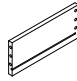

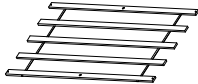


Detail View





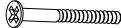
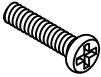
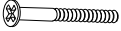













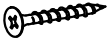
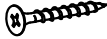

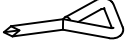

Part List : BOX 1

C  1PC	D  1PC	K  2PCS
L  2PCS	N  4PCS	O  1PC
P  1PC	Q  2PCS	T  1PC
U  2PCS	V  2PCS	F  2PCS

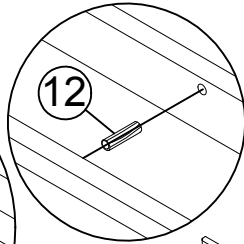
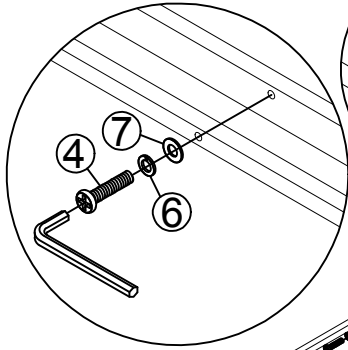
Part List : BOX 2




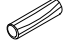
<p>A</p>  <p>1PC</p>	<p>B</p>  <p>1PC</p>	<p>E</p>  <p>1PC</p>
<p>G</p>  <p>1PC</p>	<p>H</p>  <p>1PC</p>	<p>I</p>  <p>2PCS</p>
<p>M</p>  <p>2PCS</p>	<p>R</p>  <p>1PC</p>	<p>S</p>  <p>1PC</p>
<p>Y</p>  <p>2PCS</p>	<p>Z</p>  <p>2PCS</p>	<p>W</p>  <p>2PCS</p>
<p>J</p>  <p>2PCS</p>	<p>A1</p>  <p>1PC</p>	<p>A2</p>  <p>2PCS</p>

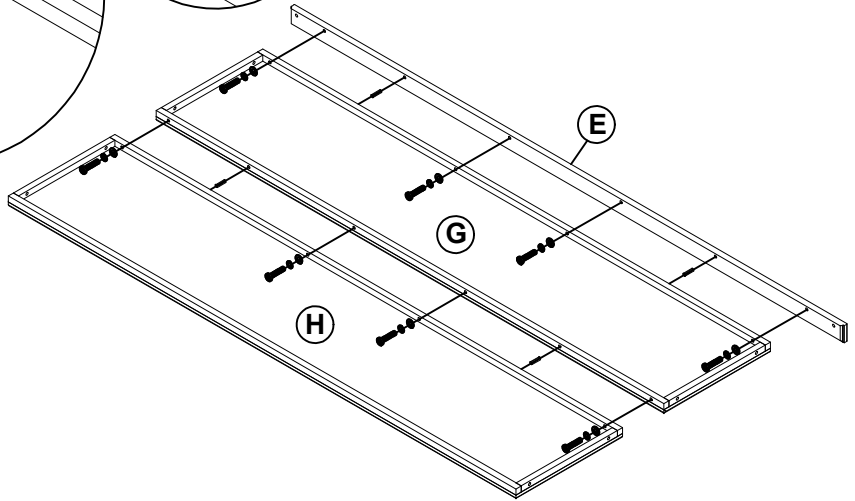
Hardware List : BOX1

<p>1</p>  <p>Cam lock Bolt M6x40mm (24pcs)</p>	<p>2</p>  <p>Cam lock Ø15mm (24pcs)</p>	<p>3</p>  <p>(Ø15) x1/4"x50mm Hex-Head bolts (4pcs)</p>
<p>4</p>  <p>(Ø15) x1/4"x35mm Hex-Head bolts (24pcs)</p>	<p>5</p>  <p>(Ø15) x1/4"x60mm Hex-Head bolts (4pcs)</p>	<p>6</p>  <p>1/4"x13x1.5mm Flat Washer (24PCS)</p>
<p>7</p>  <p>1/4"x19x1.5mm Flat Washer (24PCS)</p>	<p>8</p>  <p>1/4"x15mm(9.5mm) Horizontal-Hole Nuts(4pcs)</p>	<p>9</p>  <p>Ø5x16"x90mm Bolts (8pcs)</p>
<p>10</p>  <p>Ø5x16" CRESCENT WASHER (8pcs)</p>	<p>11</p>  <p>Ø5x16" NUT (8pcs)</p>	<p>12</p>  <p>Ø8x30mm Wooden dowel (34pcs)</p>
<p>13L</p>  <p>Elbow flexion L (2pcs)</p>	<p>13R</p>  <p>Elbow flexion R (2pcs)</p>	<p>14</p>  <p>inner hinge (4pcs)</p>
<p>15</p>  <p>142x59x27CC112MM mushroom hand in (2pcs)</p>	<p>16</p>  <p>Ø5/32"x25mm Pan head (4pcs)</p>	<p>17</p>  <p>3x15mm Wood screws (48pcs)</p>
<p>18</p>  <p>4x30mm Wood screws (14pcs)</p>	<p>19</p>  <p>4x20mm Wood screws (8pcs)</p>	<p>20</p>  <p>WRENCH (1pc)</p>
<p>21</p>  <p>Flat Head Screwdriver(1pc)</p>	<p>22</p>  <p>(1/4") 4.5x58mm Allen key (1pc)</p>	

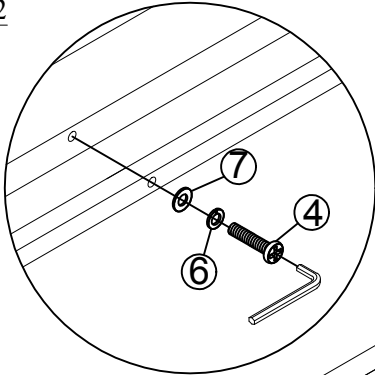
STEP 1







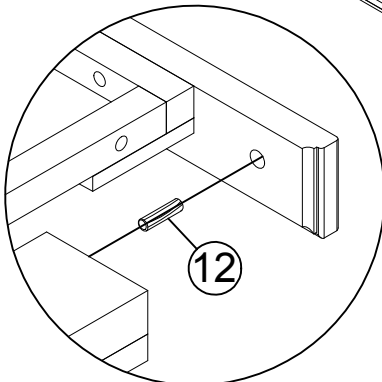
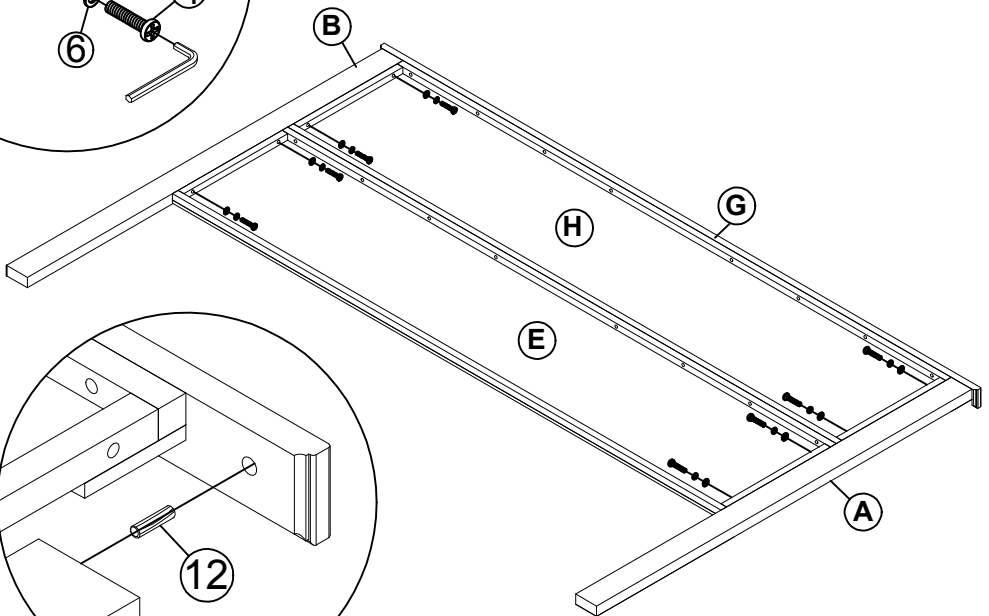
4	6	7	12
			
(8pcs)	(8pcs)	(8pcs)	(4pcs)



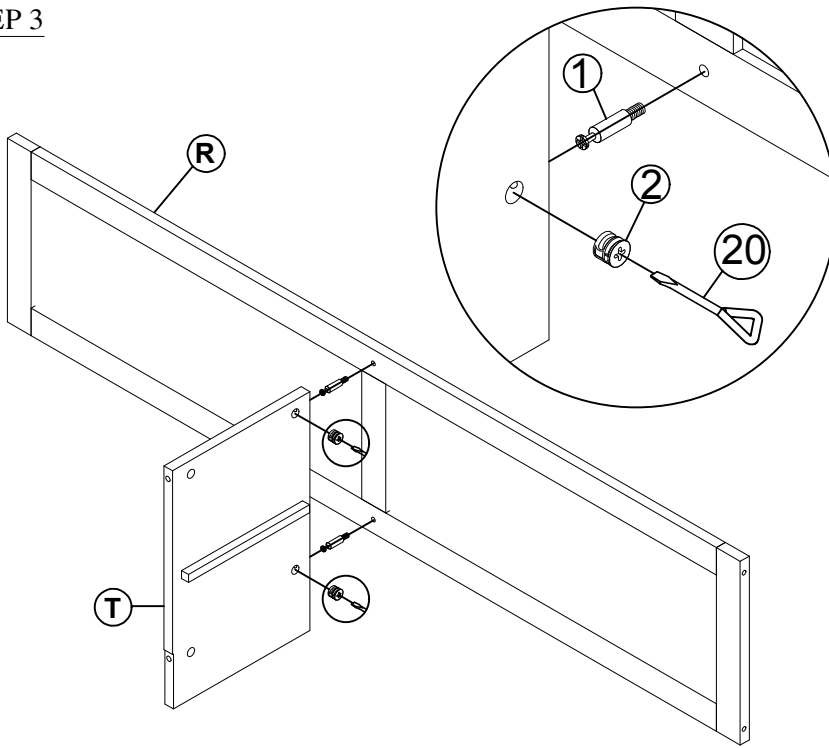
STEP 2





4	6	7	12
			
(8pcs)	(8pcs)	(8pcs)	(2pcs)

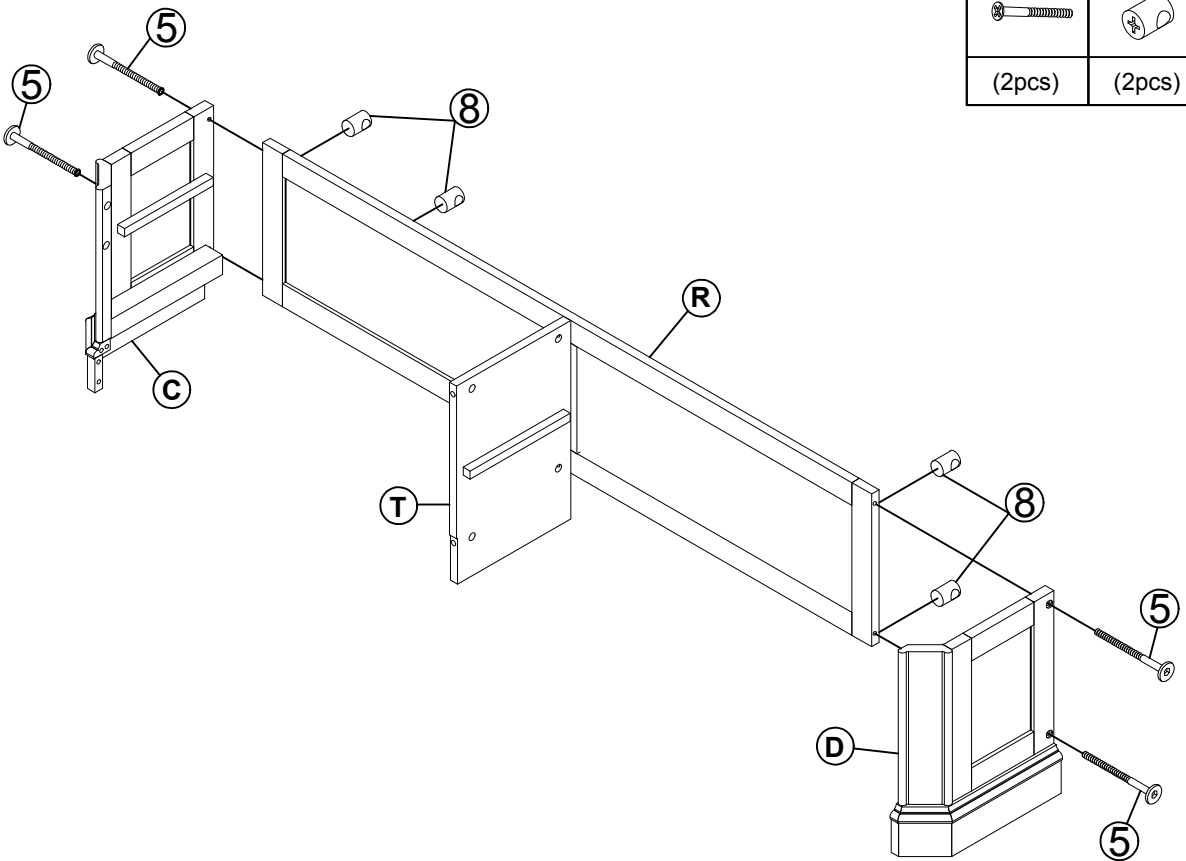




STEP 3



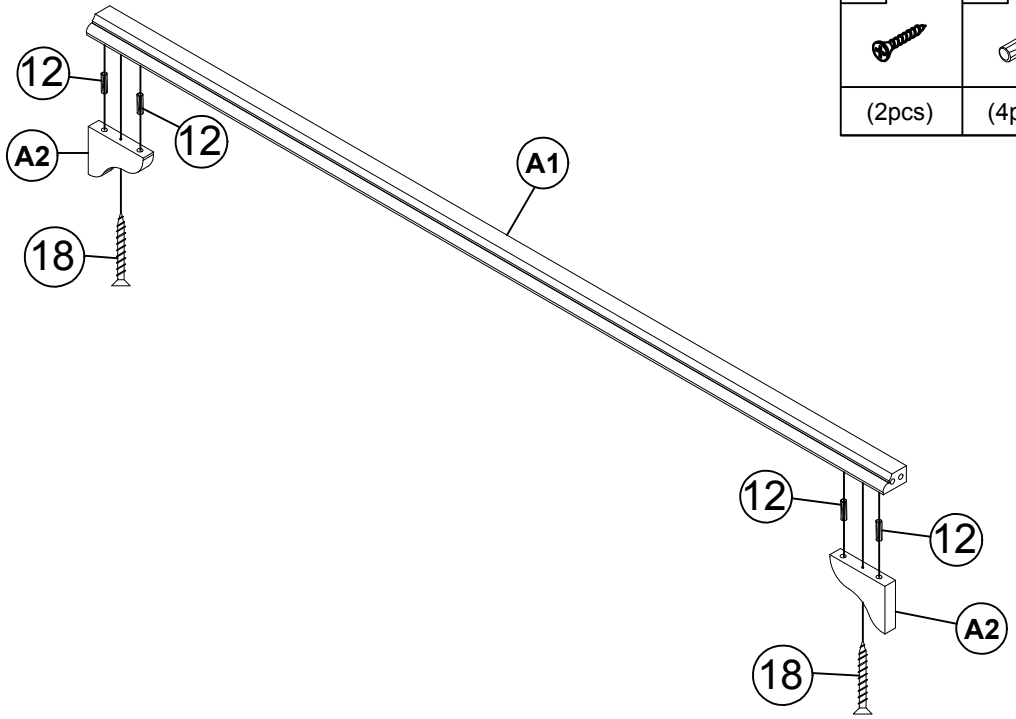
1	2
	
(2pcs)	(2pcs)



STEP 4



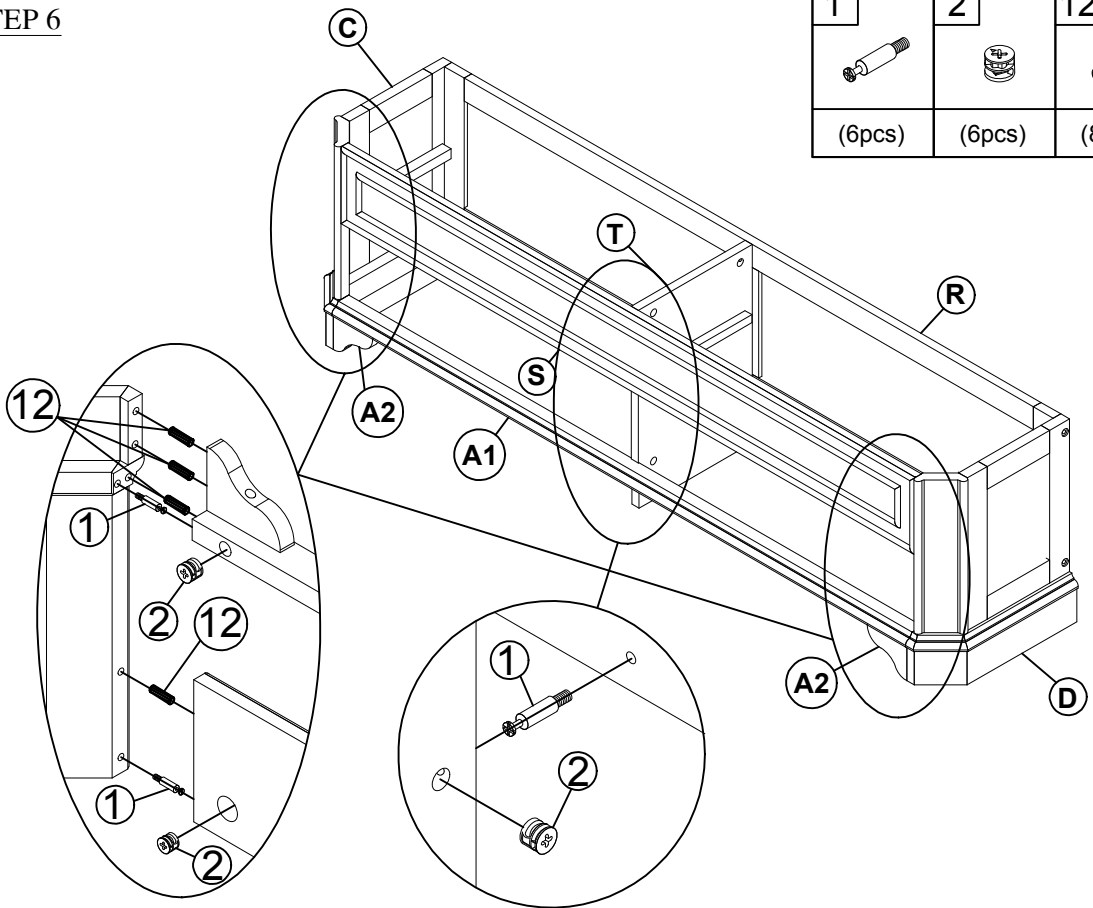
5	8
	
(2pcs)	(2pcs)



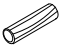
STEP 5



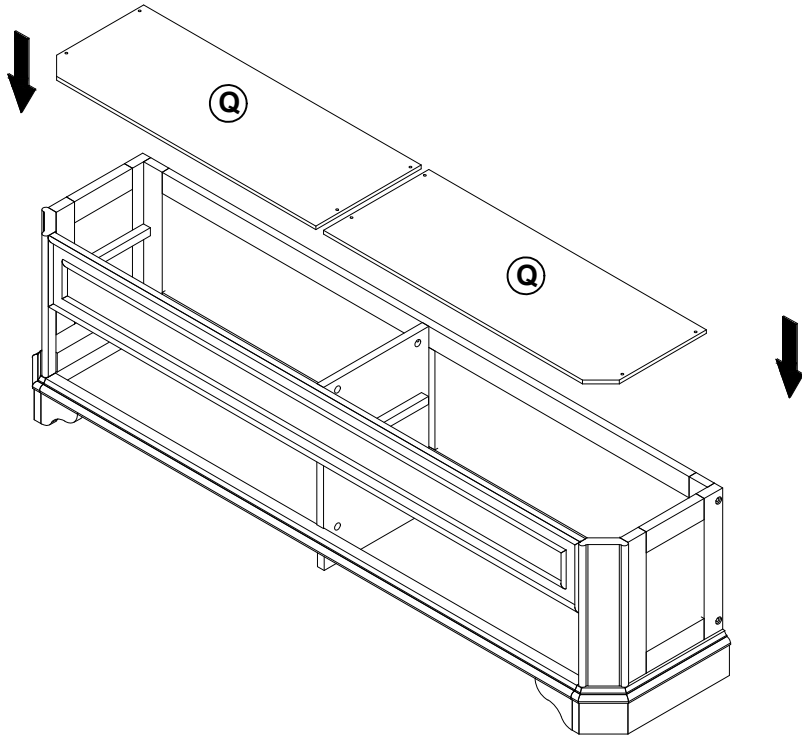
18	12
	
(2pcs)	(4pcs)

STEP 6

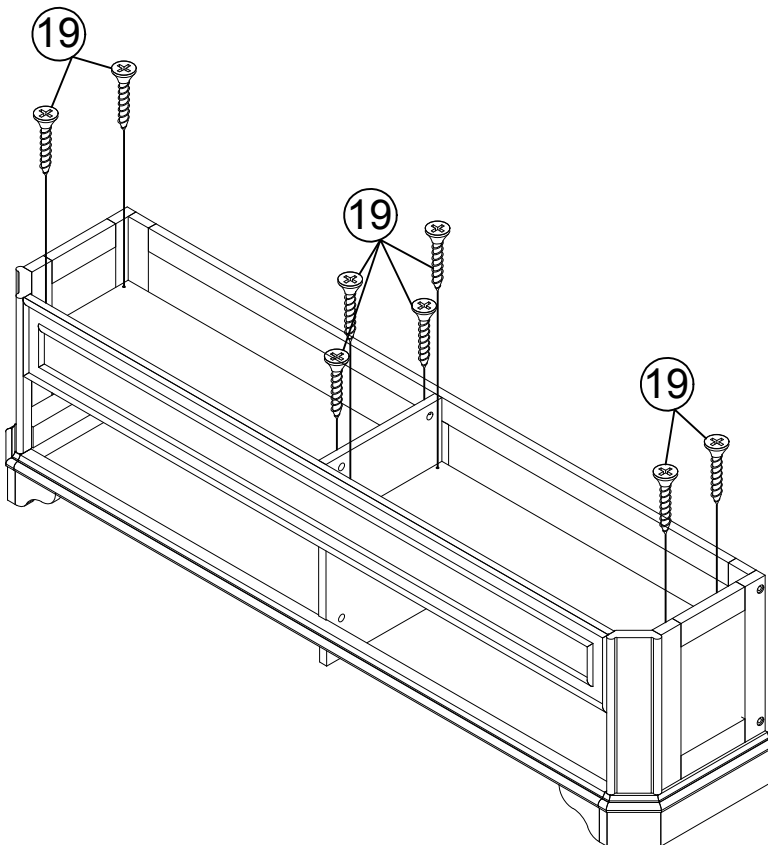


1	2	12
		
(6pcs)	(6pcs)	(8pcs)

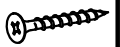
STEP 7



STEP 8

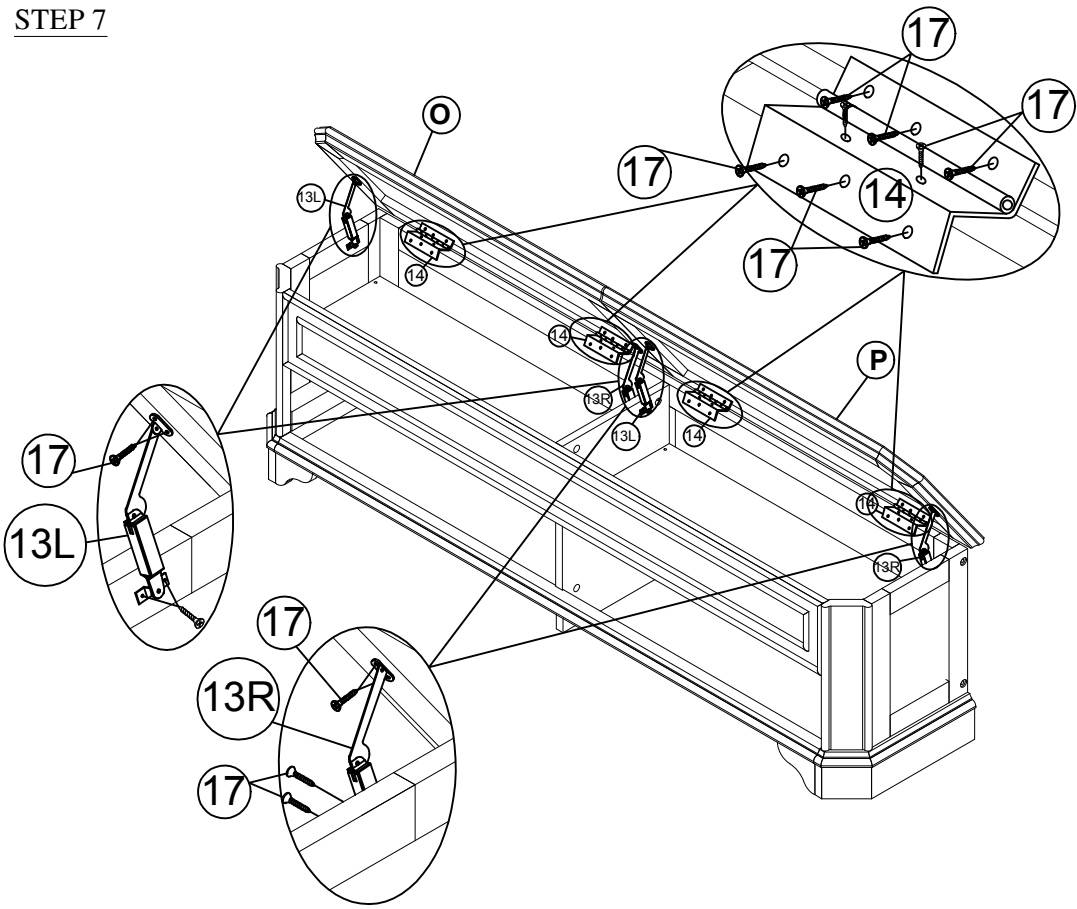


19



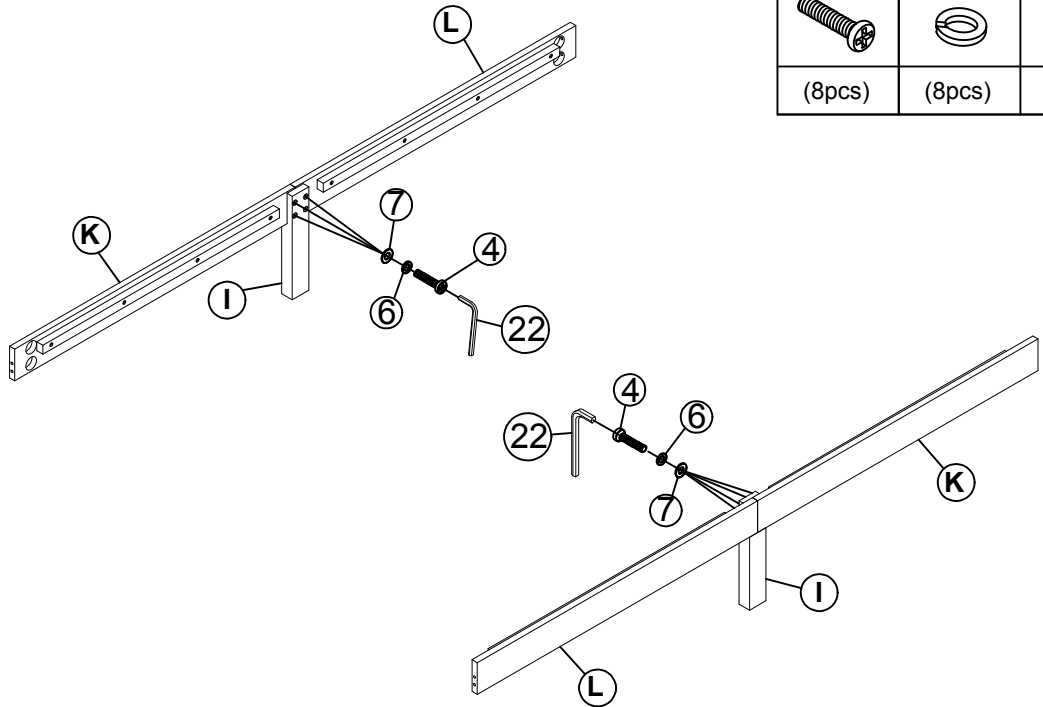
(8pcs)

STEP 7






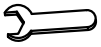
13R	
(2pcs)	
13L	
(2pcs)	
14	
(4pcs)	
17	
(48pcs)	

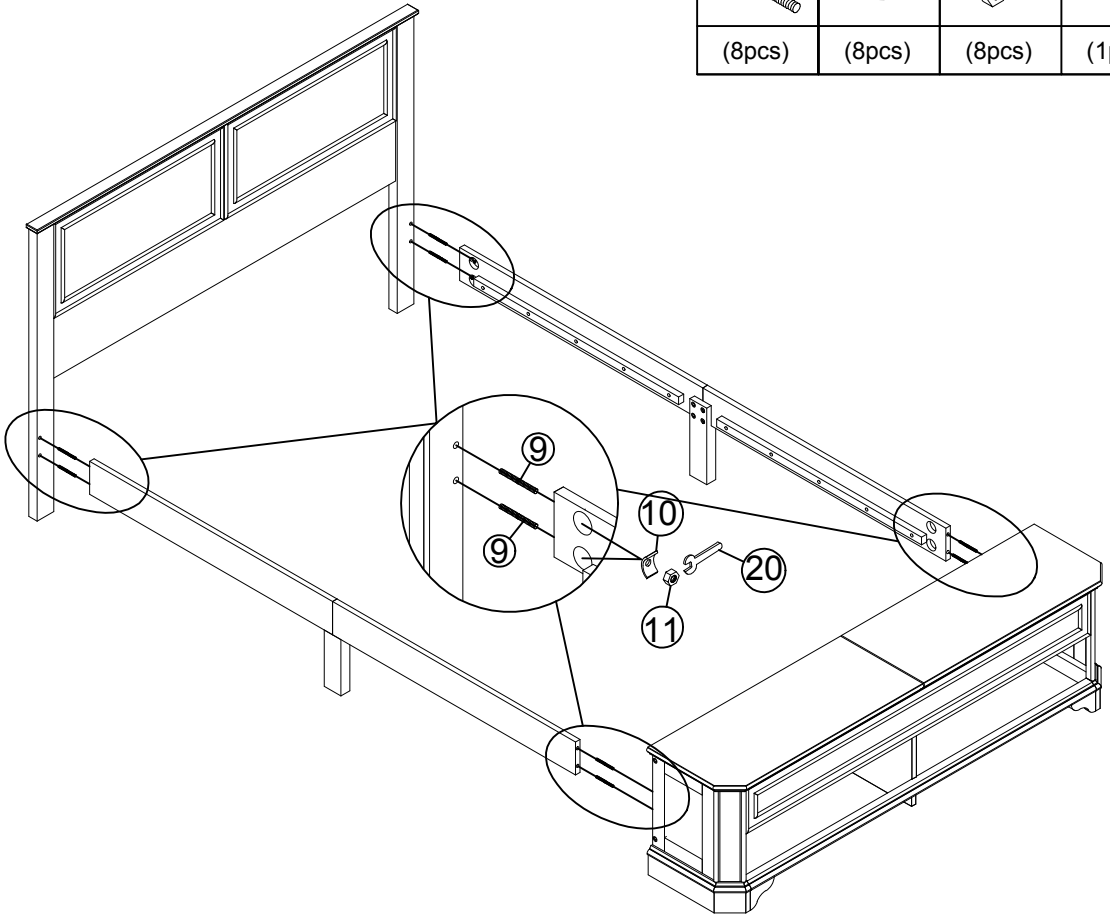
STEP 8




4	6	7
(8pcs)	(8pcs)	(8pcs)

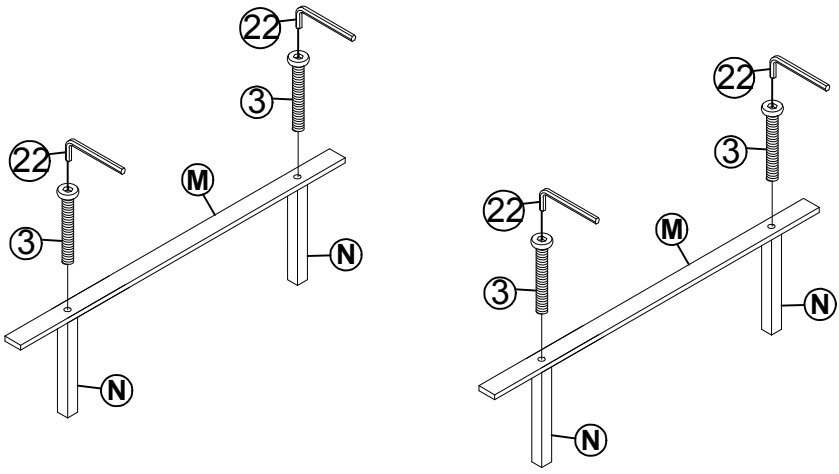
STEP 9

9	10	11	20
			
(8pcs)	(8pcs)	(8pcs)	(1pc)

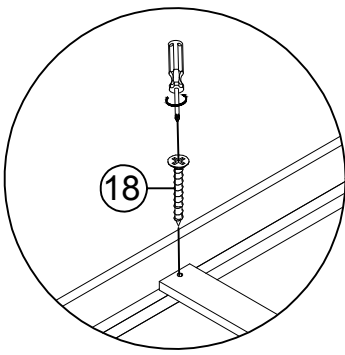


STEP 10

3

(4pcs)



STEP 11

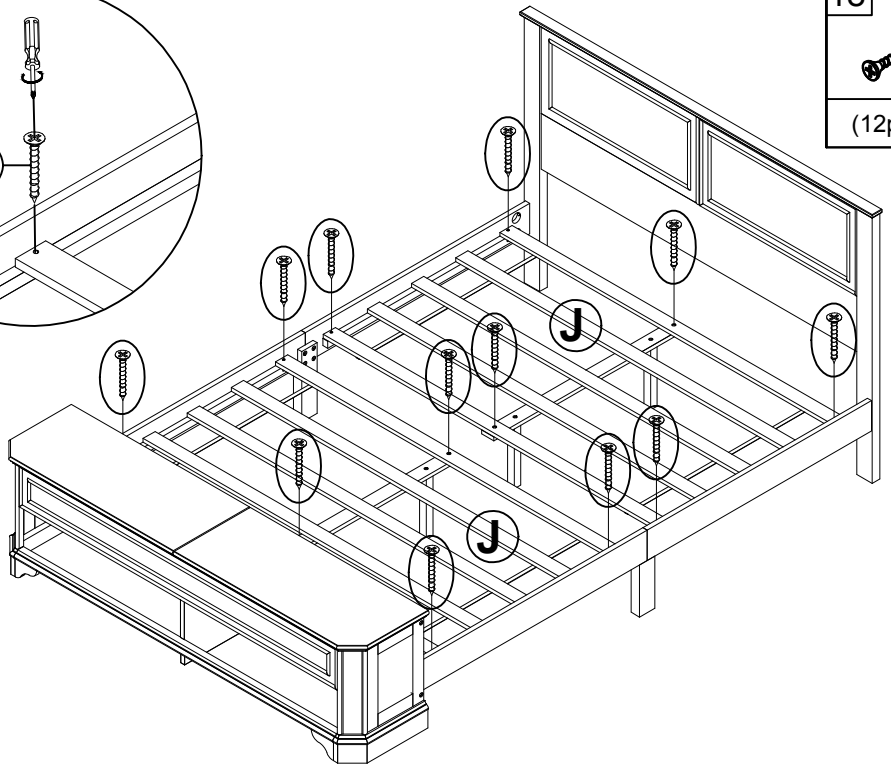


18

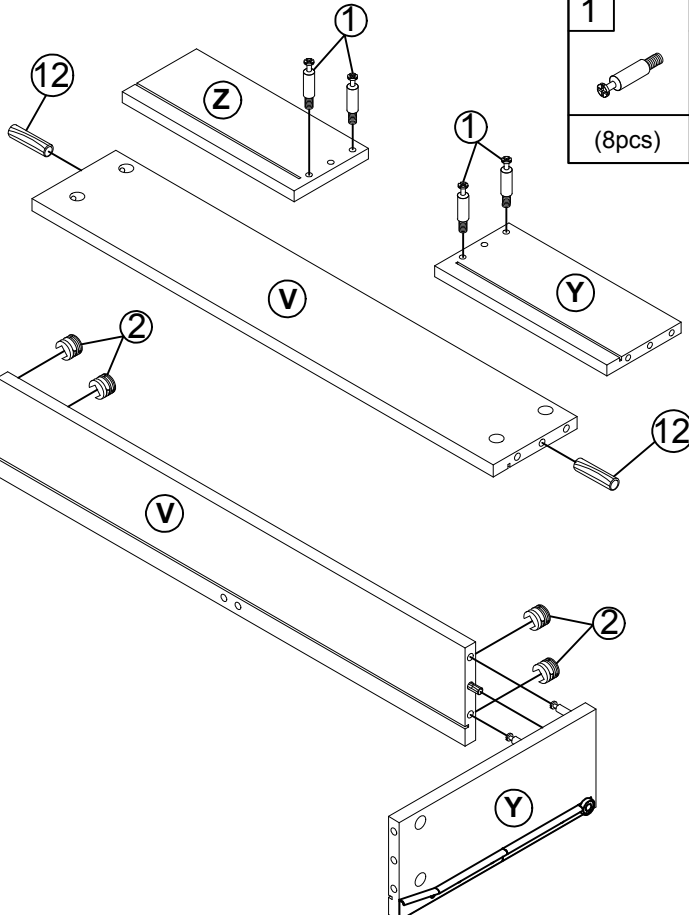
18



(12pcs)



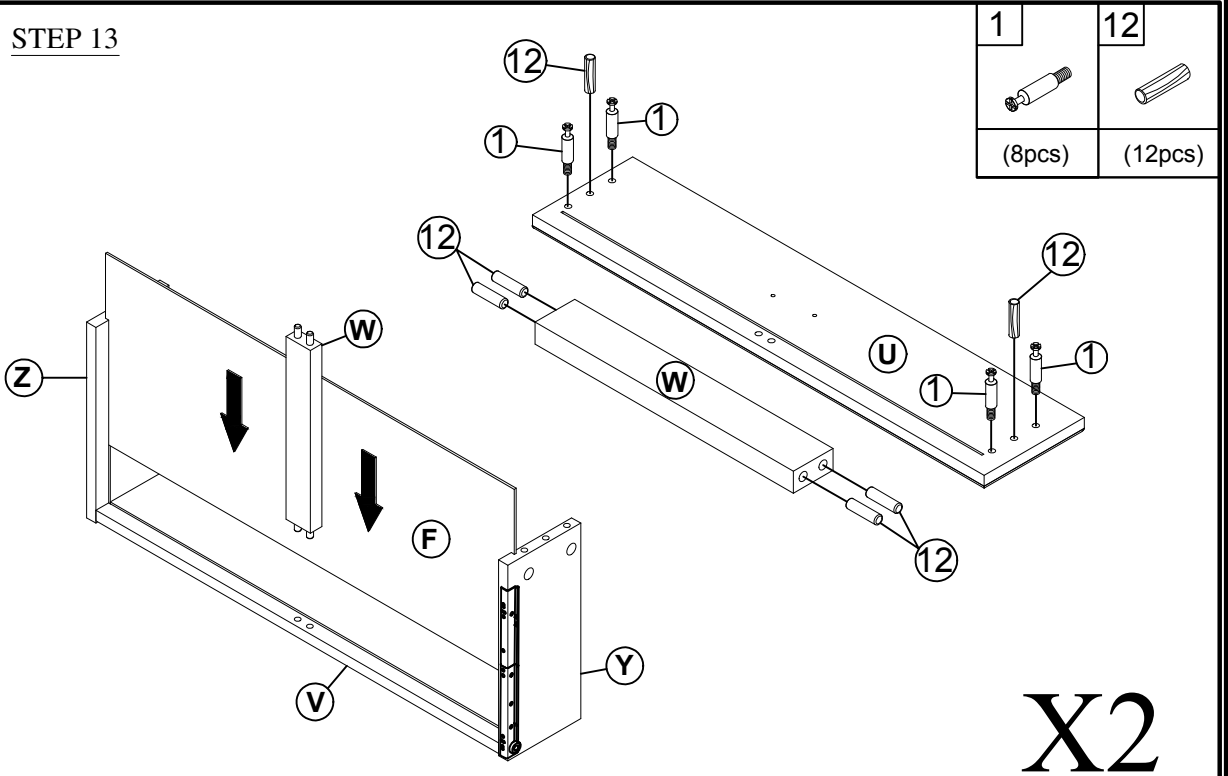
STEP 12



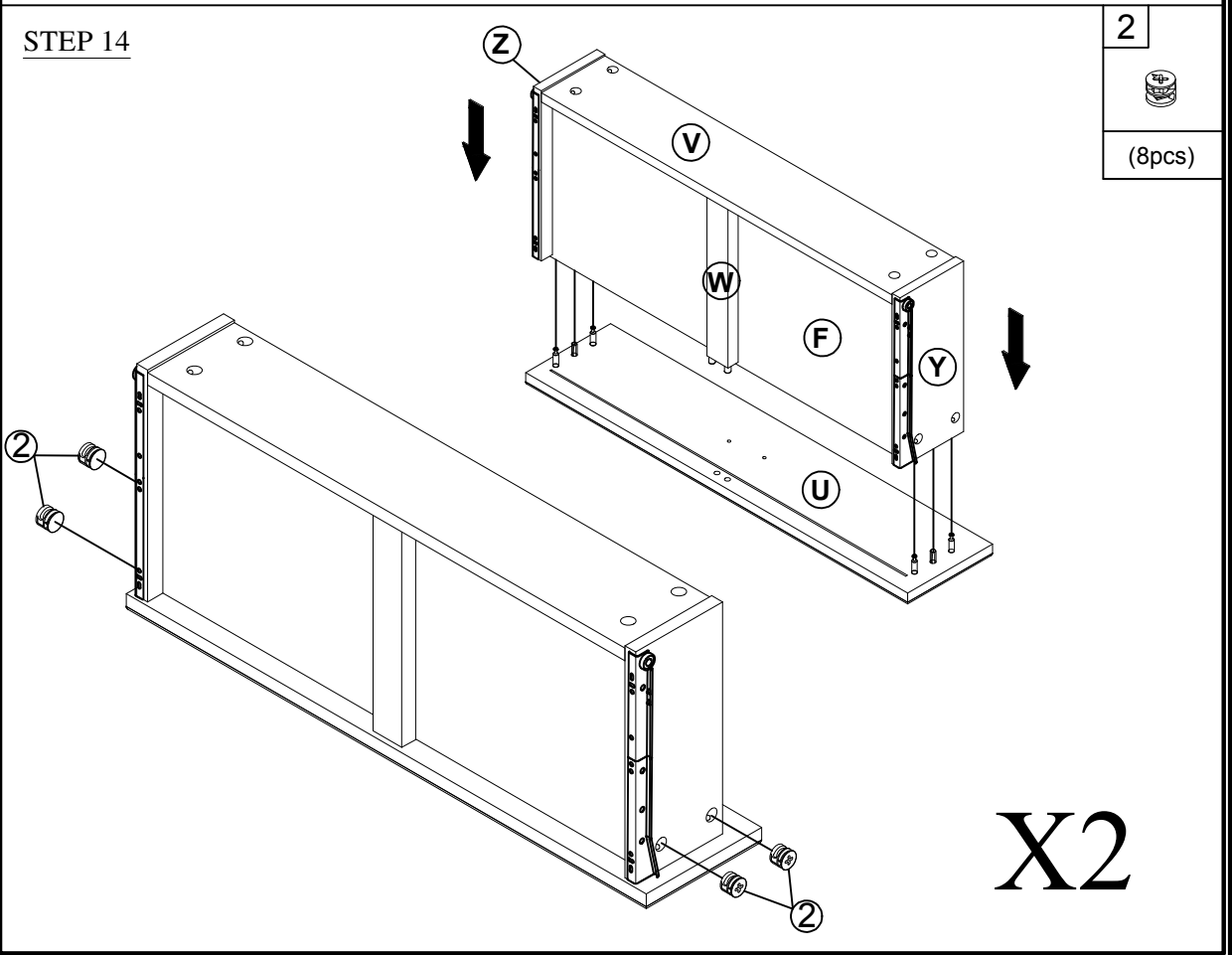
1	2	12
(8pcs)	(8pcs)	(4pcs)

X2

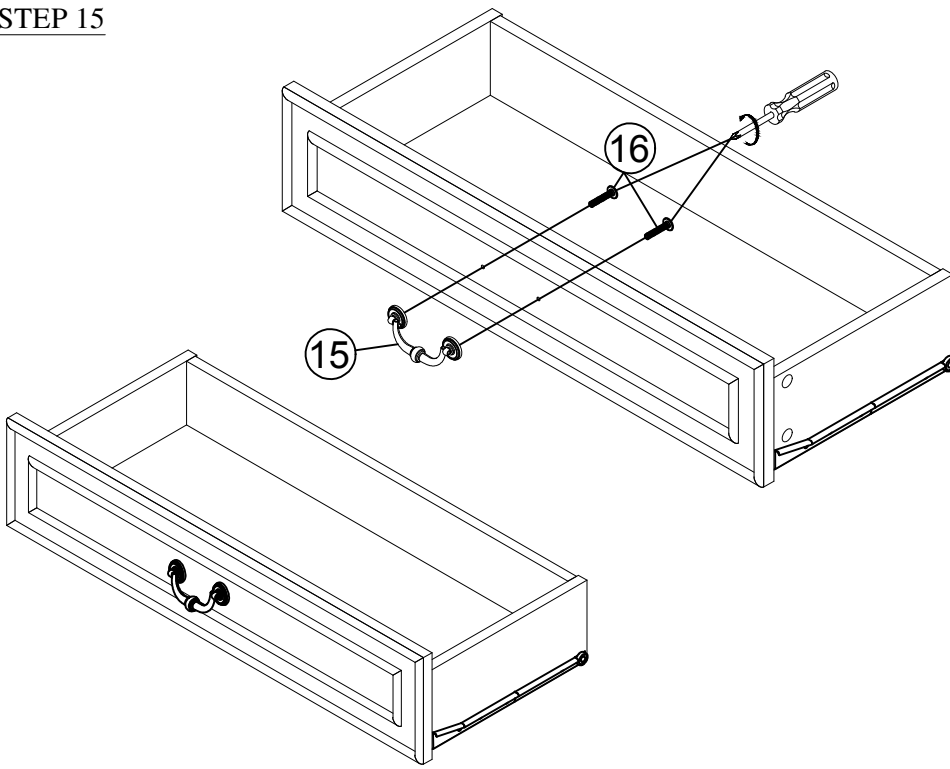
STEP 13



STEP 14



STEP 15



STEP 16

