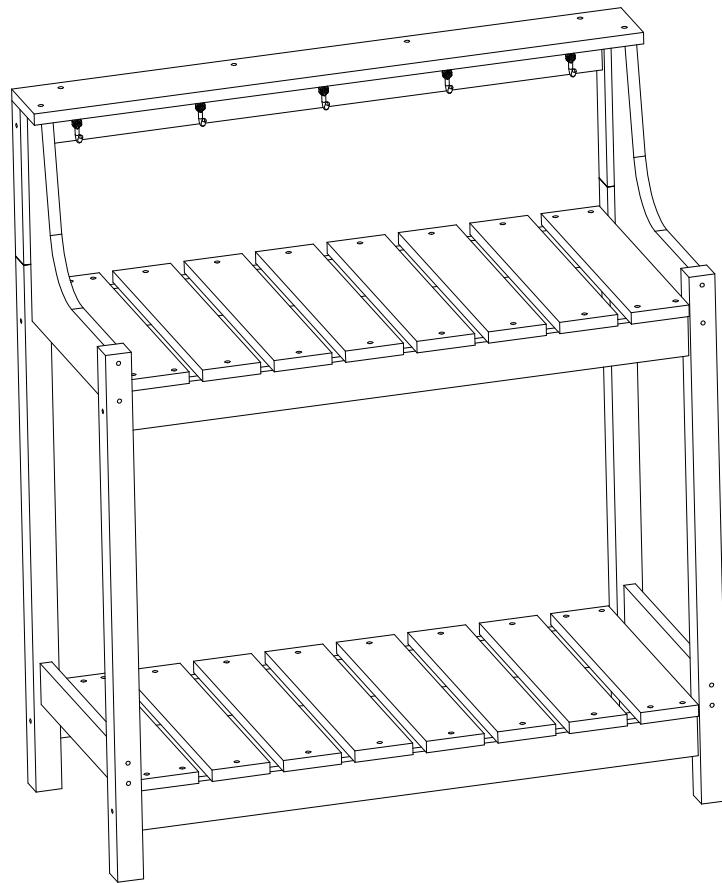
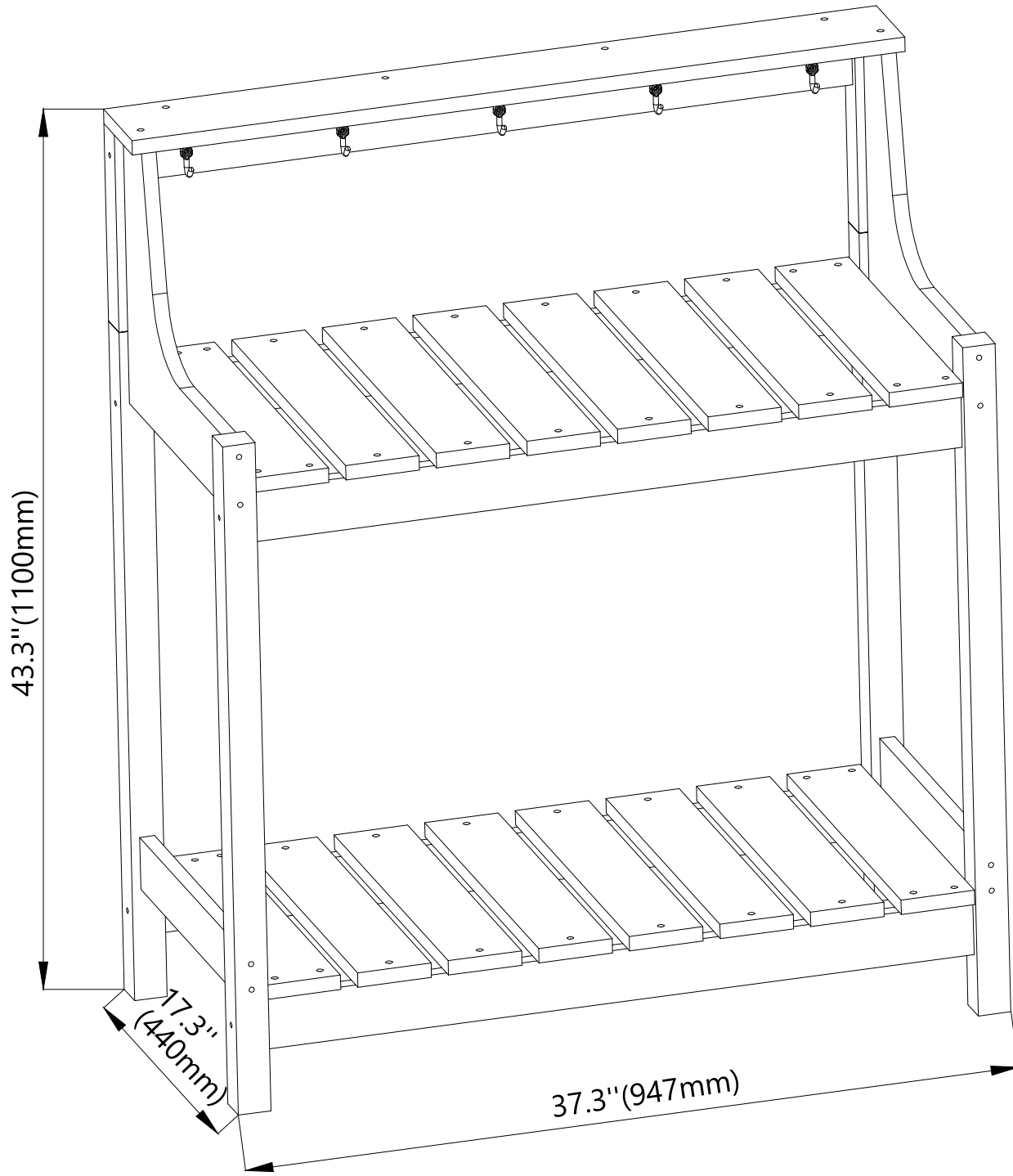
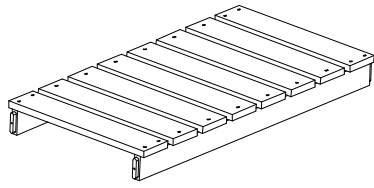


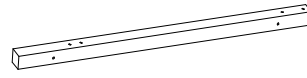
Outdoor Potting Bench **ASSEMBLY MANUAL**



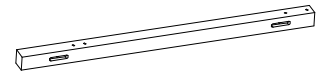




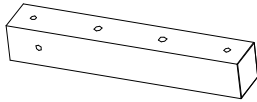
① 2X



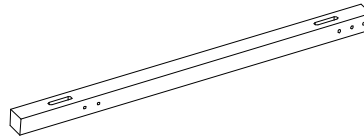
② 1X



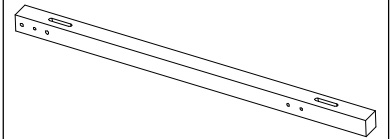
③ 1X



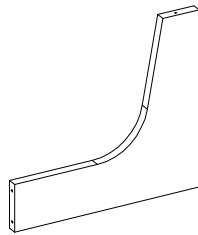
④ 2X



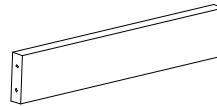
⑤ 1X



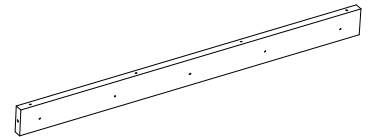
⑥ 1X



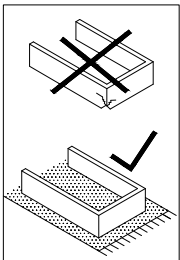
⑦ 2X



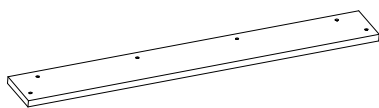
⑧ 2X



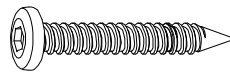
⑨ 1X



⑩ 1X



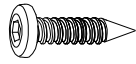
⑪ 28X



ST6*60



⑫ 5X ST4. 2*15



⑬ 6X ST6*35



⑭ 5X



⑮ 1X



⑯ 8X



Assembly Instructions (READ & SAVE FIRST)

1. Separate and identify all parts to ensure you have everything listed above.
2. Assemble on a soft mat to avoid scratches on the product.
3. Follow steps in order—do not skip any part.
4. Use washers as required (if included).
5. Do not over-tighten screws or nuts during assembly.
6. Leave all screws slightly loose until all parts are aligned, then tighten fully.
7. Use an electric screwdriver to speed up the assembly process.

IMPORTANT: Please contact Customer Service if you have any problems or discover any missing parts.

7



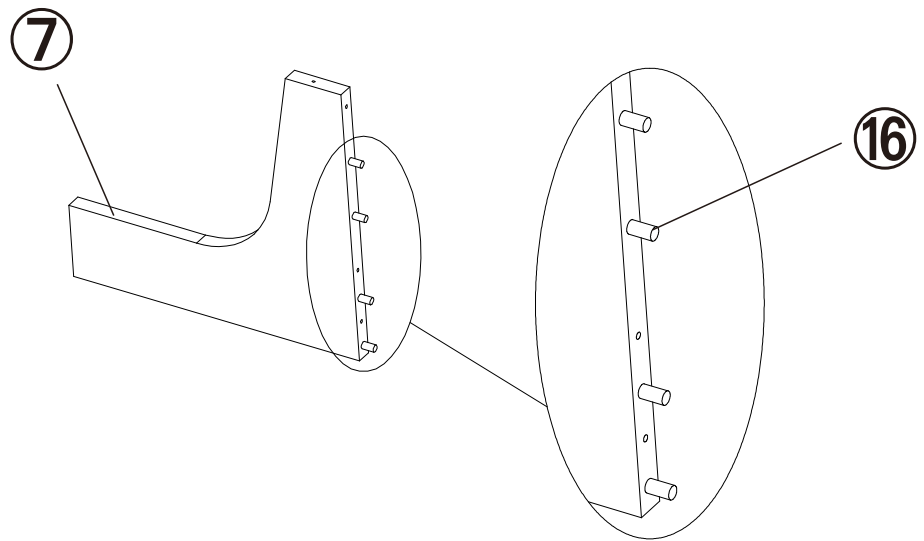
2X

16



8X

Step1 Install the wooden dowel pin



1. Take 2 pcs of part 7, align the pins of 8 pcs of part 16 with the corresponding holes on part 7.
 2. Gently push part 16 until its pins are fully seated in part 7's holes, ensuring a secure fit.
- Notes: Push gently until seated—do NOT strike forcefully, as this may deform the pins or holes.

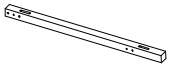
Step2 Assemble Side Frames (Left & Right)



③ 1X



④ 1X



⑥ 1X



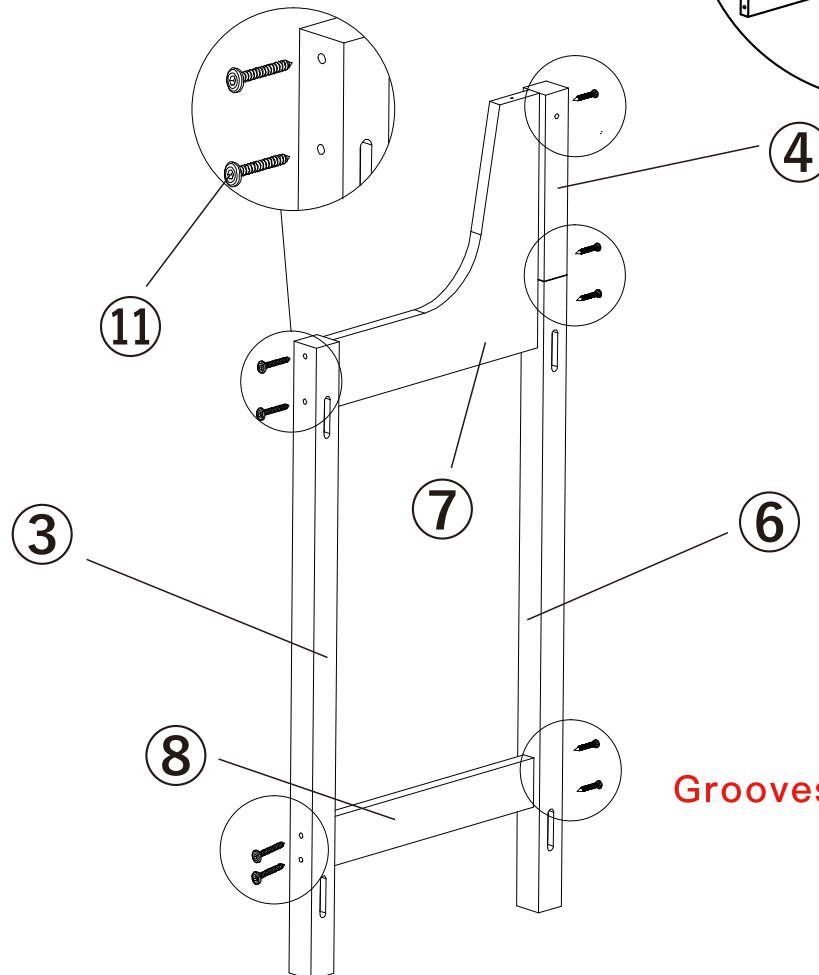
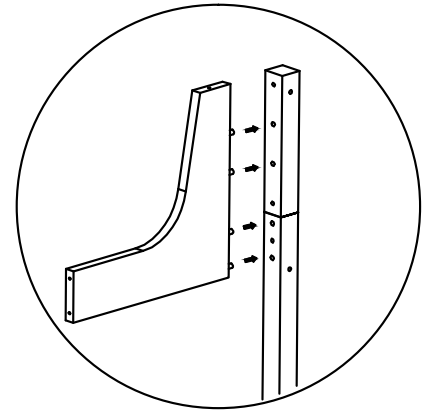
⑧ 1X



⑪ 9X






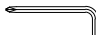


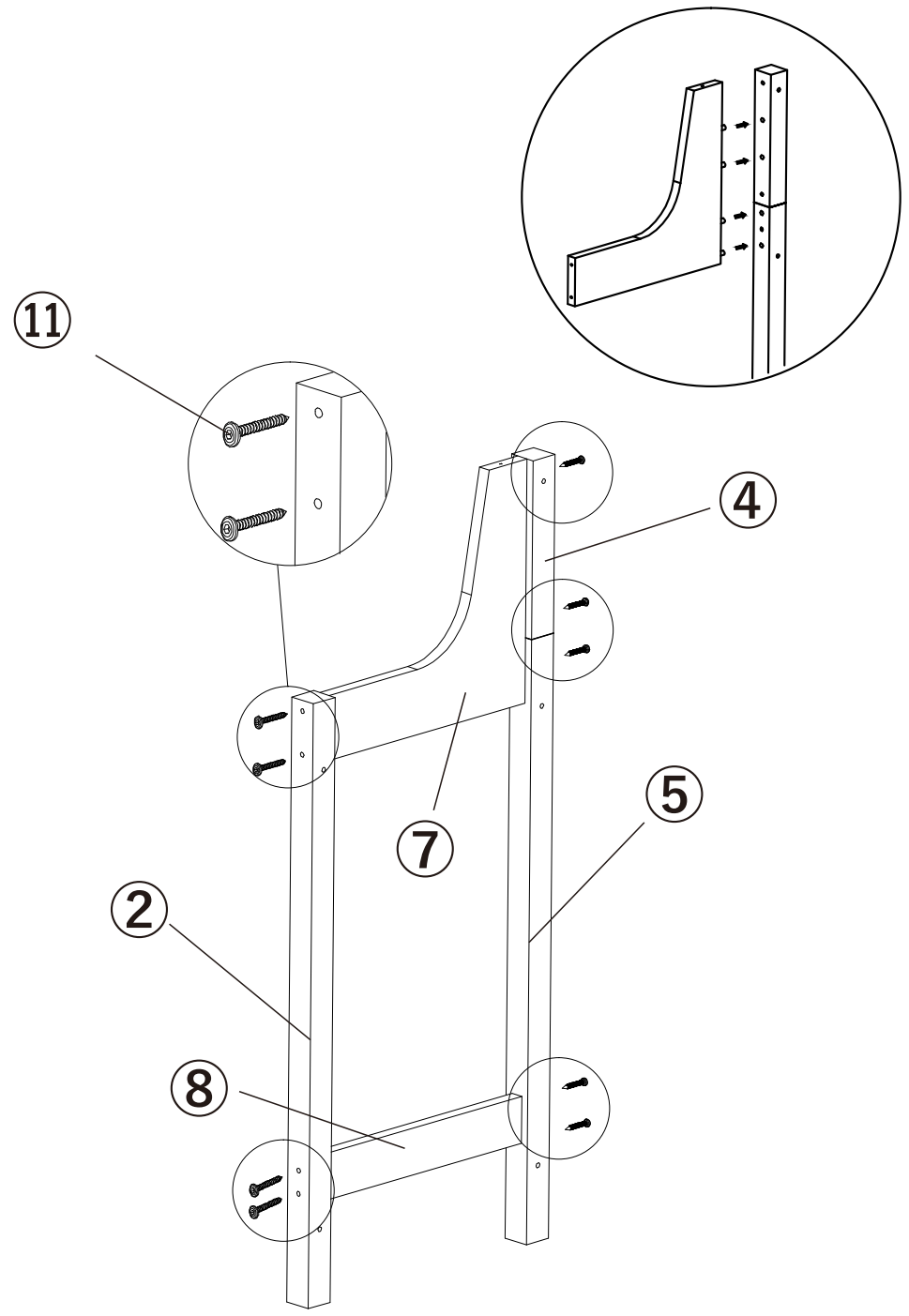
⑮ 1X



Grooves face inward

1. Align the mating surfaces of parts 4 & 6 (edges flush), then snap the pre-assembled part 7 (from Step 1) into the interface of 4 & 6. Push to join as one unit (do NOT strike).
2. Pre-install part 8 to the holes on the 4+6+7 assembly: Insert screws and tighten 2-3 light turns (do not fully fasten).
3. Fit part 3 to the corresponding holes (tighten lightly), then use part 11 (screws) to lightly secure all connection points. Confirm the side frame is vertical and all holes are aligned.





	② 1X
	④ 1X
	⑤ 1X
	⑧ 1X
	⑪ 9X
	⑮ 1X



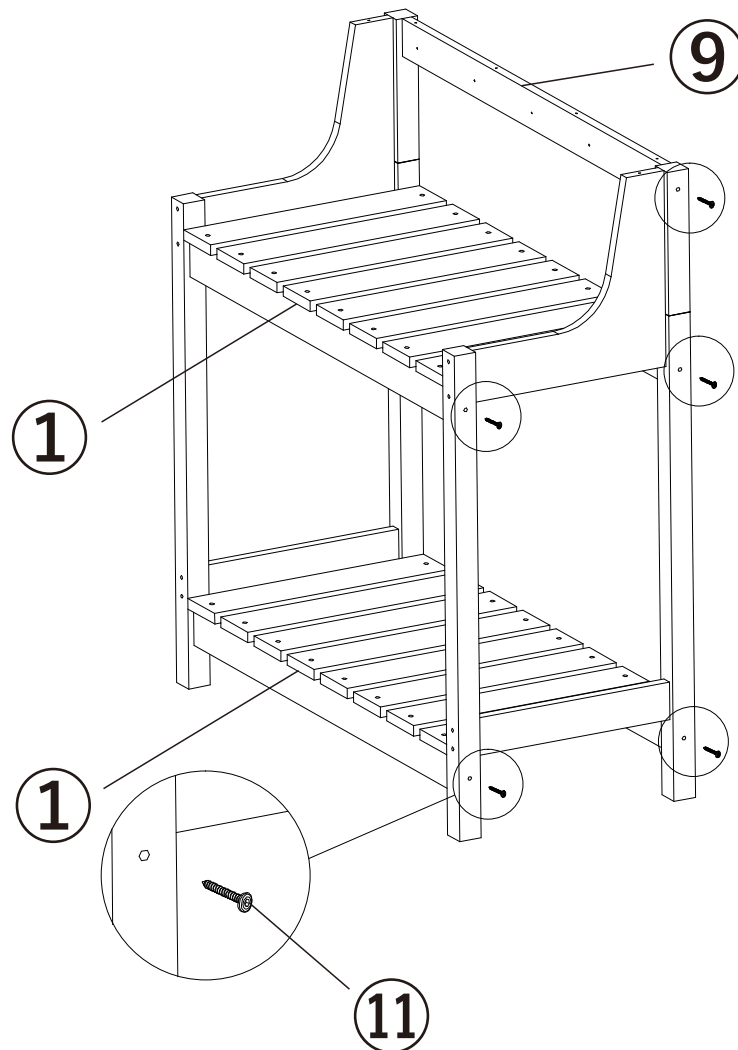
Use the pre-assembled part 7 (from the previous step), then repeat the assembly process from the previous page to complete this side frame (join parts 4, 5, 8, etc. following the same method).

Notes:

1. Push components into place gently—do NOT strike forcefully, as this may damage the pre-assembled part 7 or other components.
2. If components fit loosely: Check that the mating surfaces of parts 4 and 5 are fully aligned, then readjust and rejoin.

	① 2X
	⑨ 1X
	⑪ 10X
	⑮ 1X

Step3 Shelf & Top Frame Assembly






1. Insert the tenons of 2 pcs of Part 1 (shelves) into the grooves on both side frames. Ensure the tenon-andmortise joints fit fully into place.

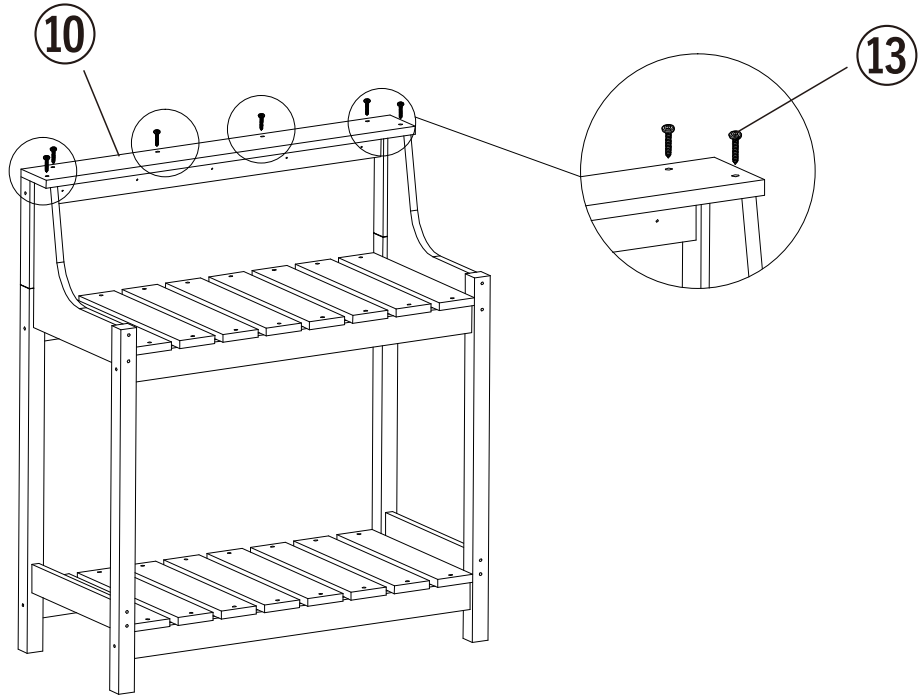
2. Align Part 9 with the top edges of the side frames. The 5 holes on Part 9 should face the front. Position it to match the pre-drilled holes on the frame.

3. Tighten all screws uniformly (do not over-tighten).




Notes:

Ensure Part 1 is fully seated in the side frame grooves before tightening screws, to keep the shelves level.

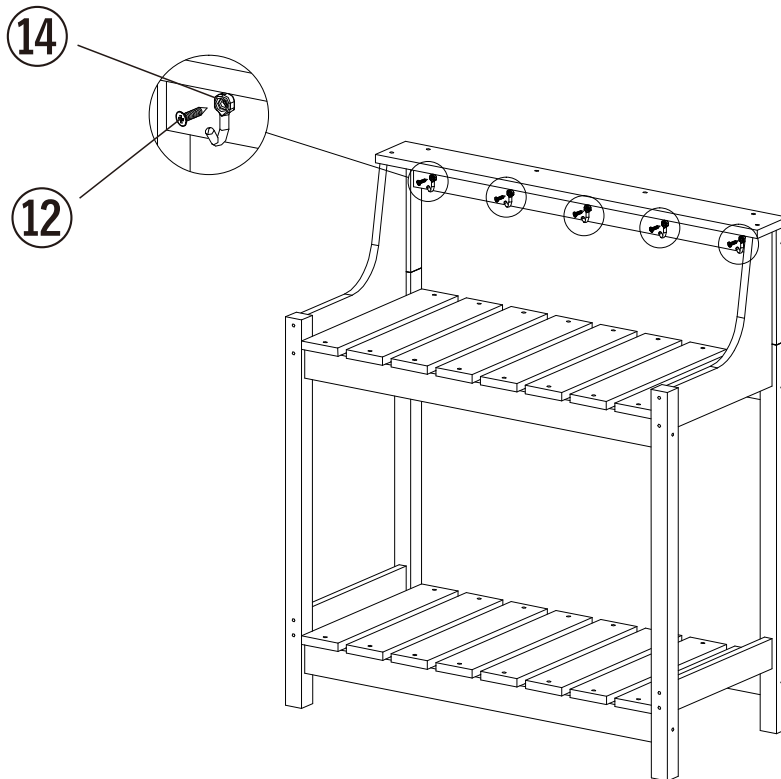
	
⑩ 1X	
	
⑬ 6X	
	
⑮ 1X	



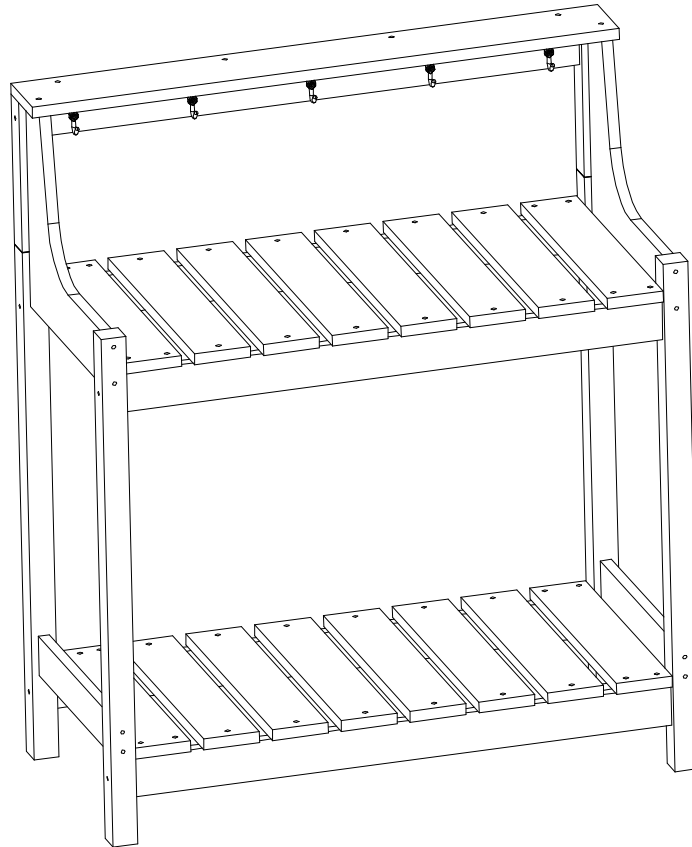
Align part 10 with the top pre-drilled holes of the frame. Use 6 pcs of screws and part 15 to fasten part 10 to the frame (do not over-tighten).

	
⑫ 5X	
	
⑭ 5X	
	
⑮ 1X	

Step 4 Hook Assembly



Step5 Final Alignment & Full Tightening



1. Adjust the entire structure to ensure it is level and all parts are properly aligned.
2. Tighten all screws. Apply moderate force to avoid over-tightening.
3. If holes are misaligned, loosen relevant screws slightly, reposition parts, and retry.

Thanks for your purchase.

At domi outdoor living, we believe in our products.

That's why we provide a 12-month warranty and friendly, easy-to-reach after-sales service. So, if you have any questions about our product or assembly, please feel free to contact us. We are here for you.

Please have your order ID available if you reach out for support.

If you have damaged parts or product, please send us photos for an immediate response.