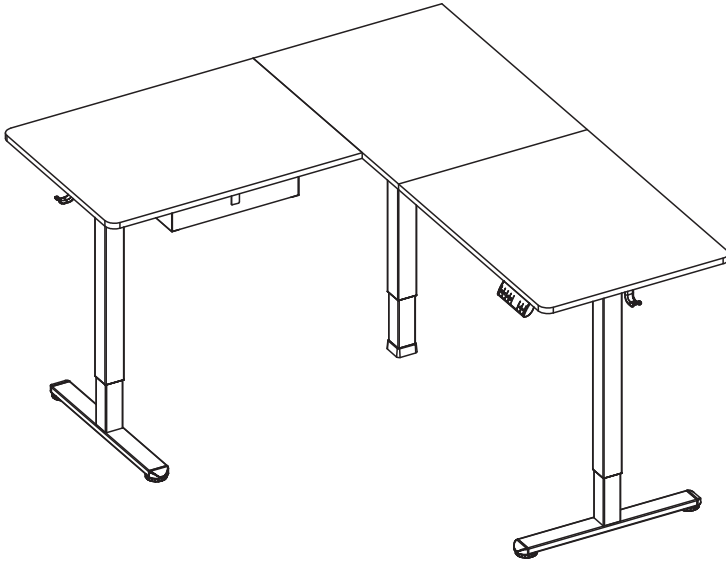


# MOUNT-IT!

User Manual  
SKU: MI-15001  
MI-15010



Please scan this QR code  
to visit the product page

## Extra Large Corner Sit Stand Desk



**HAVE QUESTIONS?**

Monday - Friday from 8:00am - 4:00pm PST



[support@mount-it.com](mailto:support@mount-it.com)















(855) 925-5668





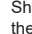





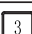
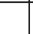

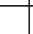


[www.mount-it.com](http://www.mount-it.com)

# Thank you for choosing Mount-It!

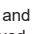
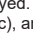
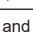

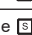
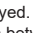
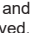
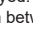
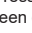
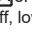
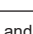
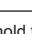

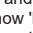
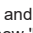
- EN**  Read the entire instruction manual before you start installation and assembly. If you have any questions regarding any of the instructions or warnings, please contact Mount-It! for assistance.
-  **CAUTION:** Use with products heavier than the rated weights indicated may result in instability causing possible injury.
- Please closely follow the assembly instructions. Improper installation may result in damage or serious personal injury.
  - This product contains small items that could be a choking hazard if swallowed. Keep these items away from children.
- IMPORTANT:** Ensure that you have received all parts according to the component checklist prior to installation. If any parts are missing or faulty, contact Mount-It! for a replacement.
- MAINTENANCE:** Check that the product is secure and safe to use at regular intervals (at least every three months).
- 
- DE**  Lesen Sie die gesamte Bedienungsanleitung, bevor Sie mit der Installation und Montage beginnen. Wenn Sie Fragen zur Anleitung oder Warnungen haben, wenden Sie sich bitte an Ihren örtlichen Händler.
-  **VORSICHT:** Die Verwendung mit Produkten, die schwerer als die angegebenen Nenngewichte sind, kann zu Instabilität führen und zu möglichen Verletzungen führen.
- Bitte befolgen Sie die Montageanleitung genau. Eine unsachgemäße Installation kann zu Schäden oder schweren Verletzungen führen.
  - Dieses Produkt enthält Kleinteile, die beim Verschlucken eine Erstickenungsgefahr darstellen können. Halten Sie diese Gegenstände von Kindern fern.
- WICHTIG:** Stellen Sie vor der Installation sicher, dass Sie alle Teile gemäß der Komponenten-Checkliste erhalten haben. Bei beschädigten oder fehlenden Teilen, wenden Sie sich an Ihre Verkaufsstelle, um Ersatz zu erhalten.
- WARTUNG:** Überprüfen Sie das Produkt in regelmäßigen Abständen auf Sicherheit und Stabilität (am besten alle drei Monate).
- 
- FR**  Lisez entièrement le guide d'utilisateur avant de commencer l'installation et le montage. Si vous avez des questions concernant les instructions ou les avertissements, veuillez contacter votre distributeur local pour une assistance.
-  **ATTENTION:** L'utilisation de produits plus lourds que les poids nominaux indiqués peut entraîner une instabilité causant des blessures potentielles.
- Les supports doivent être joints comme spécifié dans les instructions de montage. Une mauvaise installation peut entraîner des dommages ou de graves blessures aux personnes.
  - Ce produit contient de petites pièces qui peuvent causer un étouffement si elles sont avalées. Éloignez ces pièces des enfants.
- IMPORTANT:** Avant l'installation, assurez-vous que vous avez reçu toutes les pièces selon la liste de vérification des composants. Si une pièce est manquante ou endommagée, téléphonez à votre distributeur local pour qu'il la remplace.
- MAINTENANCE:** A intervalles réguliers (au moins tous les trois mois) vérifiez que le support est d'utilisation sûre et fiable.
- 
- RU**  Перед началом установки и сборки прочитайте руководство по установке. Если у Вас возникли какие-либо вопросы относительно инструкций или предупреждений, свяжитесь с Вашим локальным распространителем для получения помощи.
-  **Внимание:** Использование продуктов, вес которых превышает указанный расчетный вес, может привести к неустойчивости и возможным травмам.
- Опоры должны быть установлены, как это показано в Монтажных инструкциях. Неправильная установка может привести к получению серьезных травм.
  - Данный продукт содержит маленькие детали, которые представляют опасность удушья при проглатывании. Такие детали необходимо хранить в недоступном для детей месте.
- ВАЖНО:** Перед установкой убедитесь, что Вы получили все детали в соответствии со списком комплектующих. Если не хватает каких-либо деталей или они поломаны, свяжитесь с Вашим местным распространителем по вопросу замены.
- ТЕХНИЧЕСКОЕ ОБСЛУЖИВАНИЕ:** Необходимо регулярно проверять (как минимум, раз в три месяца), чтобы кронштейн был зафиксирован, и его использование было безопасным.
- 
- ES**  Lea todo el manual de instrucciones antes de comenzar la instalación y ensamble de la unidad. Si tiene alguna inquietud con respecto a las instrucciones o advertencias, comuníquese con su distribuidor local.
-  **PRECAUCIÓN:** utilizar con productos de mayor peso al indicado en los límites de peso podría ocasionar inestabilidad y posibles heridas personales.
- Los soportes deben acoplarse tal como se indica en las instrucciones de ensamble. Una incorrecta instalación podría ocasionar daños y serias heridas personales.
  - Este producto contiene piezas pequeñas que representan un riesgo de asfixia. Mantenga estas piezas fuera del alcance de los niños.
- IMPORTANTE:** Asegúrese de que haya recibido todas las piezas según la lista de verificación de componentes para la instalación. Si falta alguna de las partes, o está dañada, comuníquese con su distribuidor.
- MANTENIMIENTO:** Compruebe periódicamente que el soporte esté asegurado y listo para usar (al menos cada tres meses).
- 
- PT**  Leia todo o manual de instruções antes de iniciar a instalação e montagem. Se você tiver alguma dúvida sobre qualquer uma das instruções ou avisos, por favor, entre em contato com o seu distribuidor local para assistência.
-  **ATENÇÃO:** O uso com produtos mais pesados do que os pesos indicados pode resultar em instabilidade, causando possíveis danos.
- Os suportes devem ser anexados como especificado nas instruções de montagem. A instalação incorreta pode causar danos ou sérias lesões pessoais.
  - Este produto contém pequenas peças que podem causar asfixia se ingeridas. Mantenha esses itens longe do alcance de crianças.
- IMPORTANTE:** Assegure-se que você recebeu todas as peças, de acordo com a lista de componentes, antes da instalação. Se alguma peça estiver faltando ou é defeituosa, contate o seu distribuidor local para substituição.
- MANUTENÇÃO:** Certifique-se que o suporte seja seguro e protegido para o uso em intervalos regulares (pelo menos a cada três meses).

## USING THE CONTROLLER

Please retain these instructions for future reference

	Short-press the [S] button, and the display will flash. Press the  ,  , or  button to save the current height setting to that button.
	Press the  button, and the desk will move to the height that was previously set for that button.
	Press the  button, and the desk will move to the height that was previously set for that button.
	Press the  button, and the desk will move to the height that was previously set for that button.
	Press the  button to raise the desk continuously until it reaches the highest position of 46.5" (118cm) or the button is released.
	Press the  button to lower the desk continuously until it reaches the lowest position of 28.3" (72cm) or the button is released.

### Settings

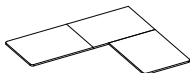
Change Display Height Units	Press and hold the  button until a flashing 'S-' is displayed. Press  again, and 'Un' is displayed. Press  to select it, press  or  to switch between 'IN' (imperial) and 'SI' (metric), and press  to save your choice.
Change Collision Detection Sensitivity	Press and hold the  button until a flashing 'S-' is displayed. Press  again, and 'Un' is displayed. Press  or  to switch to 'CF' and press  to select it. Press  or  to switch between off, low, normal, and high sensitivity. Press  to save your choice.
RESET	Press and hold the  button for 5 seconds, and the screen will show 'RES.' Continue holding until the desk goes down to its lowest level and comes back up slightly.

### Protection Mode Error Codes

Hot	Overheating Protection: When the motor has been working continuously for 2 minutes, it will stop operating to prevent damage from overheating. Wait for at least 18 minutes before making any further height adjustment.
E10	Sensor Malfunction Warning: Motor safety sensor can't be detected. Power off, check the connection between the motor and controller, and power back on again.
E20	Overloading Warning: Max load exceeded. If raising the desk, remove objects from the desk to reduce weight and try again. If lowering the desk, power off, take the things off the desk, power back on, and try again.
E02	Operation Status Warning: The desk stops moving if vibration, impact, or incline are detected. If this detection is incorrect, follow the reset instructions before continuing use.
E32	Overvoltage Protection: Input voltage too high. If the correct AC adapter is being used, power off the desk, check the connection between power and the controller, and power on again.
E31	Undervoltage Protection: Input voltage too low. If the correct AC adapter is being used, power off the desk, check the connection between power and the controller, and power on again.
E60	Unequal Leg Height Warning: Power off the desk and check whether the right and middle legs are at the same height. Power on again and adjust if necessary by following the "RESET" instructions.
-	Cable Disconnection Warning: Check motor and controller cable connections. Normal operation should return once all connectors are properly connected.

## PACKAGE CONTENTS

### PACKAGE 1



**A1/A2/A3 (x1)**

DESKTOP



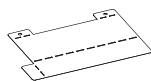
**B (x1)**

CABLE HOLDER



**C (x1)**

CLOTH DRAWER



**D (x2)**

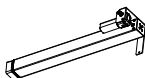
CLOTH DRAWER BRACKETS

### PACKAGE 2



**E (x1)**

LEFT LEG



**F (x1)**

MIDDLE LEG



**G (x1)**

RIGHT LEG



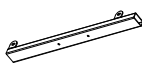
**H (x1)**

LEFT CROSSBAR



**I (x1)**

MIDDLE CROSSBAR



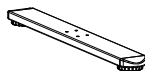
**J (x1)**

MIDDLE CROSSBAR



**K (x1)**

RIGHT CROSSBAR



**L (x2)**

FEET



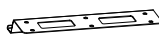
**M (x2)**

SIDE PLATES



**N (x1)**

SHORT FRAME JOINT



**O (x1)**

LONG FRAME JOINT



**P (x1)**

CONTROL PANEL



**Q (x1)**

POWER ADAPTER



**R (x1)**

TRANSMISSION ROD



**S (x1)**

MOTOR CONNECTION CABLE



**T (x2)**

HEADPHONE HOOKS

### HARDWARE CONTENTS



**a (x20)**

M6x11 BOLT



**b (x8)**

M6x35 BOLT



**c (x2)**

M3.5x19 SCREW



**d (x53)**

M5x16 SCREW



**e (x1)**

2mm  
HEX WRENCH



**f (x1)**

5mm  
HEX WRENCH



**g (x4)**

CABLE MANAGEMENT CLIP



**h (x23)**

RUBBER PADS



**i (x4)**

TABLETOP CONNECTORS



**j (x2)**

DRAWER STOPPERS

### EXTRA PARTS



**a (x2)**

M6x11 BOLT



**c (x2)**

M3.5x19 SCREW



**d (x2)**

M5x16 SCREW



**h (x2)**

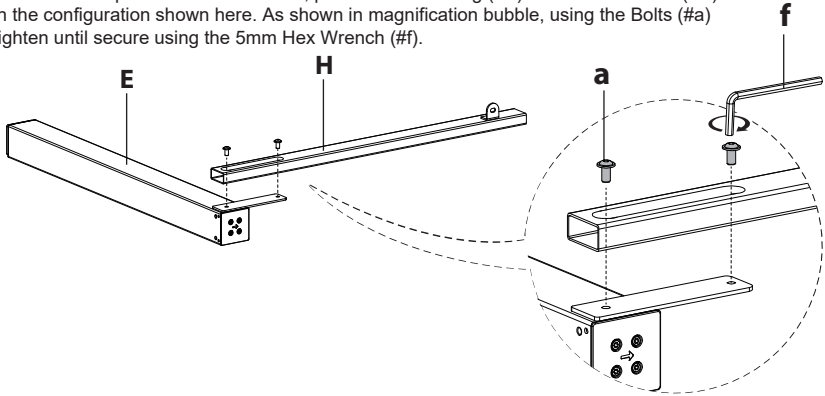
RUBBER PADS

# Step 1

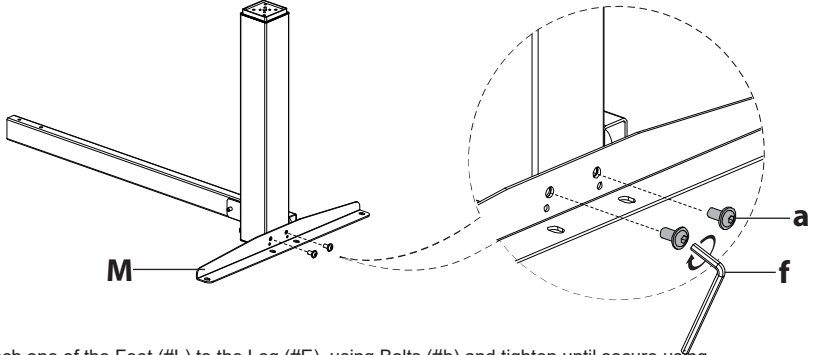
## Assembling the Leg Sections

### 1-1 Assemble the left leg section

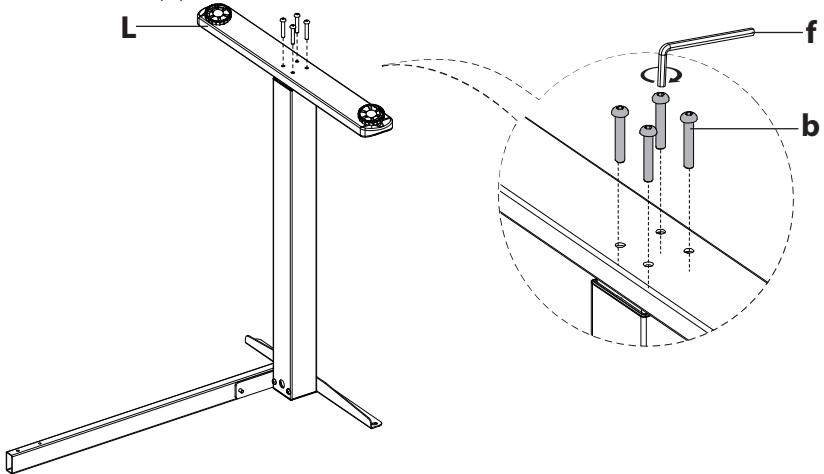
On a flat and open section of the floor, position the Left Leg (#E) and Left Crossbar (#H) in the configuration shown here. As shown in magnification bubble, using the Bolts (#a) tighten until secure using the 5mm Hex Wrench (#f).



Attach the Side Plate (#M) to the Left Leg (#E) using Bolts (#a) and tighten until secure using the 5mm Hex Wrench (#f). Ensure that the Side Plate are oriented as shown in the image.

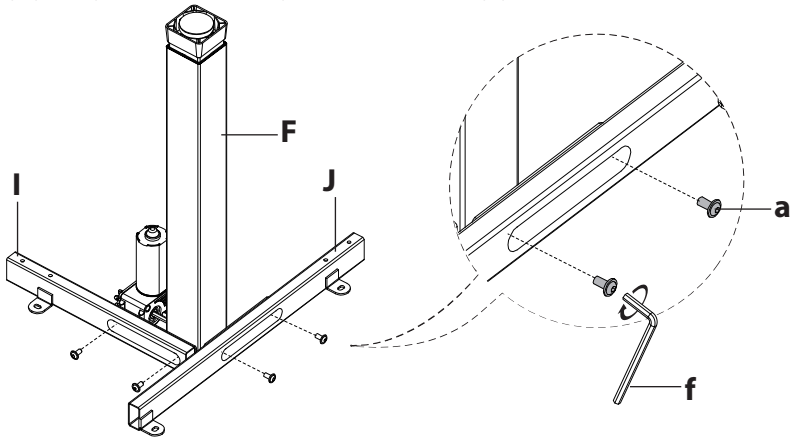


Attach one of the Feet (#L) to the Leg (#E), using Bolts (#b) and tighten until secure using the 5mm Hex Wrench (#f).



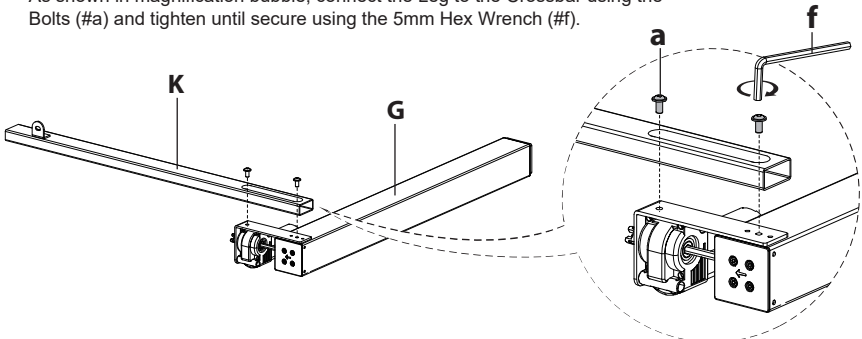
### 1-2 Assemble the middle leg section

On a flat and open section of the floor, position the Middle Leg (#F) and Middle Crossbars (#I and #J) in the configuration shown here. As shown in magnification bubble, connect the Leg to the Crossbars using the Bolts (#a) and tighten until secure using the 5mm Hex Wrench (#f).

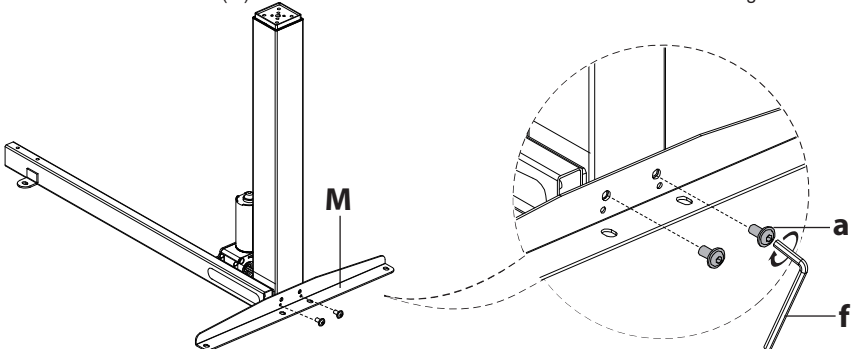


### 1-3 Assemble the right leg section

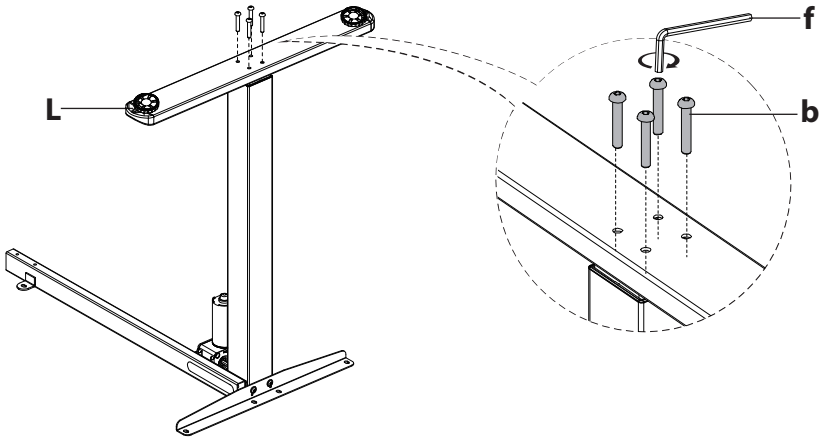
position the Right Leg (#G) and Right Crossbars (#K) in the configuration shown here. As shown in magnification bubble, connect the Leg to the Crossbar using the Bolts (#a) and tighten until secure using the 5mm Hex Wrench (#f).



Attach the Side Plate (#M) to the Right Leg (#G) using Bolts (#a) and tighten until secure using the 5mm Hex Wrench (#f). Ensure that the Side Plate are oriented as shown in the image.

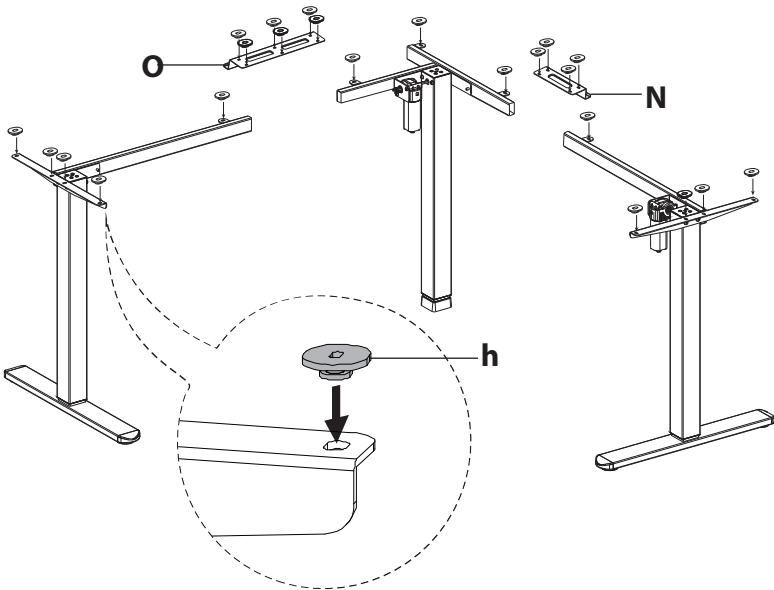


Attach one of the Feet (#L) to the Leg (#G), using Bolts (#b) and tighten until secure using the 5mm Hex Wrench (#f).



#### 1-4 Attach the Rubber Pad

Turn the desk over so that it is standing on the feet. Attach the Rubber Pads (#h) to the top of the Leg Sections and Frame Joint (#N, O) in the locations shown here. All 23 pads will be used.



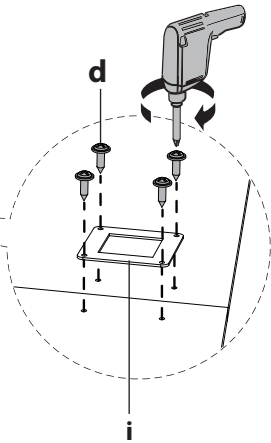
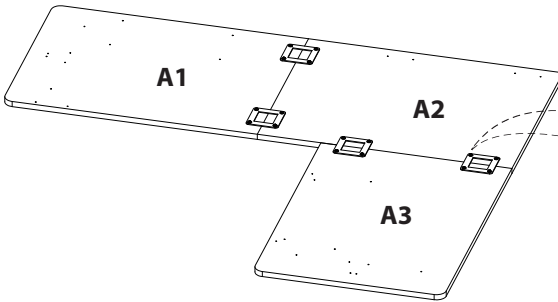
## Step 2

### Assemble the Desktop

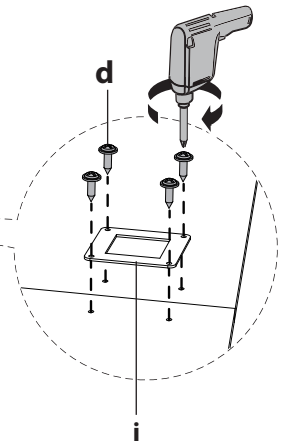
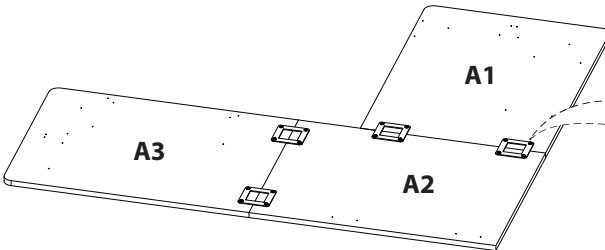
Lay the Desktop (#A) pieces out upside-down in the configuration shown below. Reference the stickers on the underside to identify the proper pieces so that they connect in order left to right A1, A2, A3. Use the Tabletop Connectors (#i) in the locations shown and secure in place using Screws (#d). Tighten until secure.



**Option A: Long side of desk on the right hand side**



**Option B: Long side of desk on the left hand side**

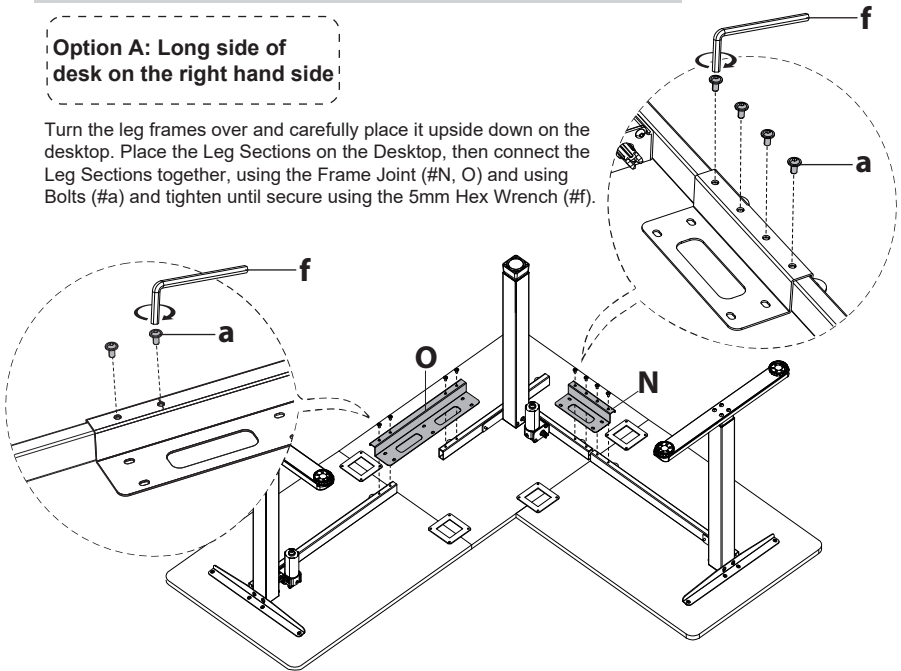


# Step 3

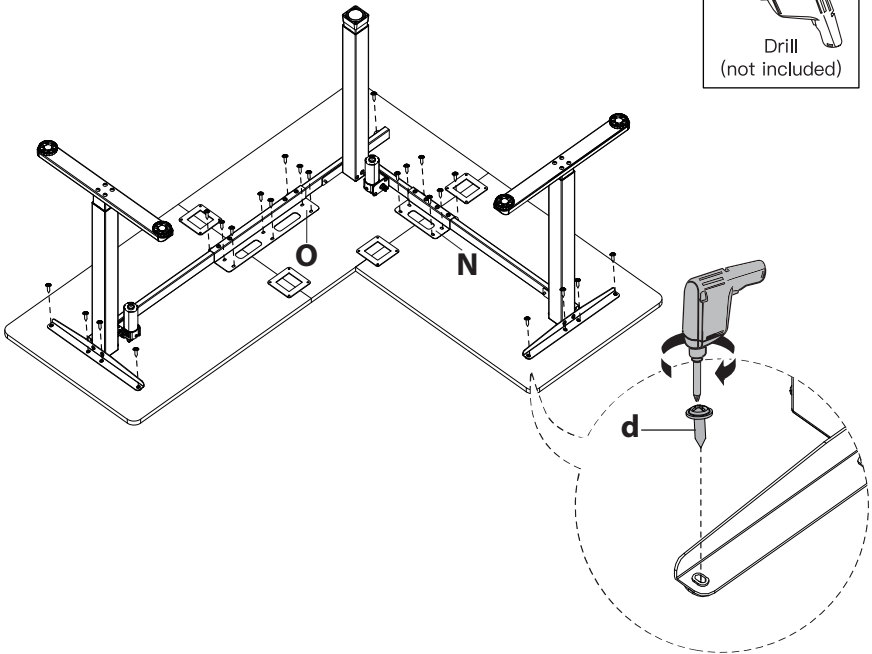
## Attaching the Frame to the Desktop

**Option A: Long side of desk on the right hand side**

Turn the leg frames over and carefully place it upside down on the desktop. Place the Leg Sections on the Desktop, then connect the Leg Sections together, using the Frame Joint (#N, O) and using Bolts (#a) and tighten until secure using the 5mm Hex Wrench (#f).

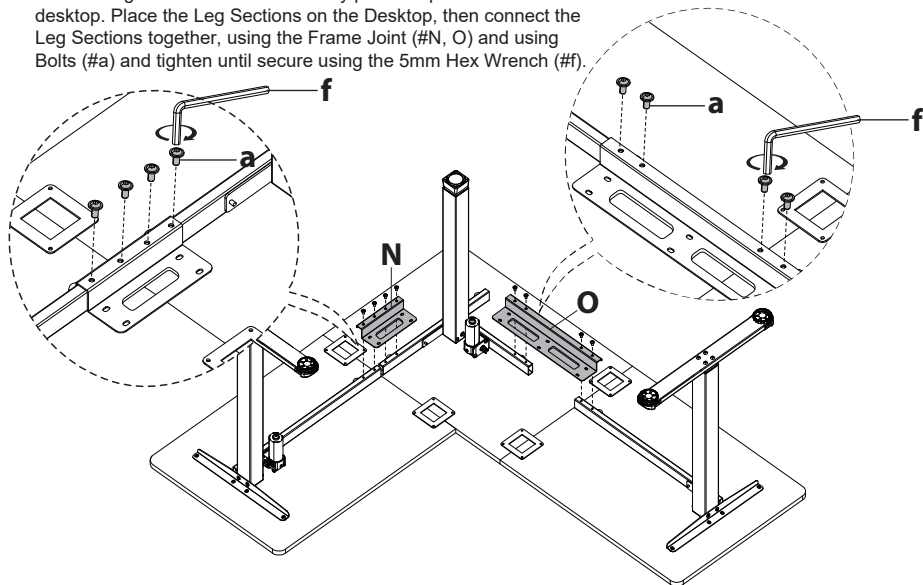


Align the holes on the Frame with the holes on the Desktop.  
Attach the Desk Frame to the Desktop using Screws (#d). Tighten until secure.

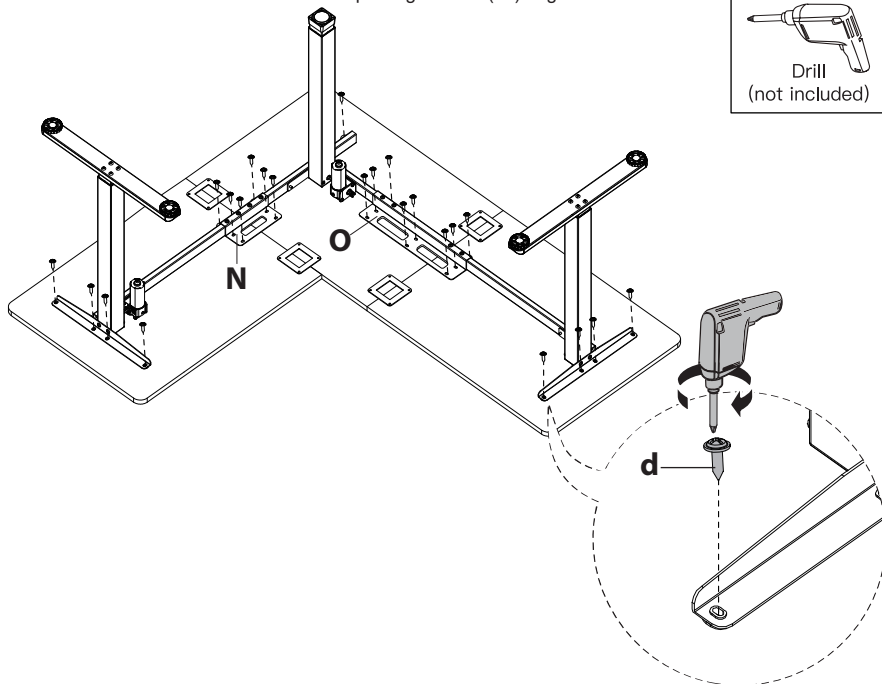


**Option B: Long side of  
desk on the left hand side**

Turn the leg frames over and carefully place it upside down on the desktop. Place the Leg Sections on the Desktop, then connect the Leg Sections together, using the Frame Joint (#N, O) and using Bolts (#a) and tighten until secure using the 5mm Hex Wrench (#f).



Align the holes on the Frame with the holes on the Desktop.  
Attach the Desk Frame to the Desktop using Screws (#d). Tighten until secure.

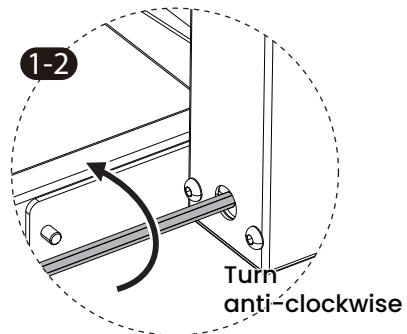
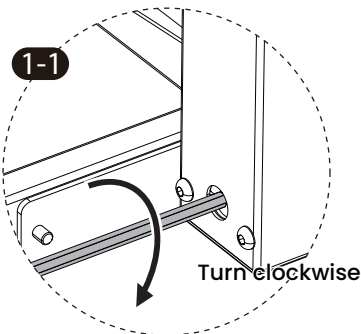
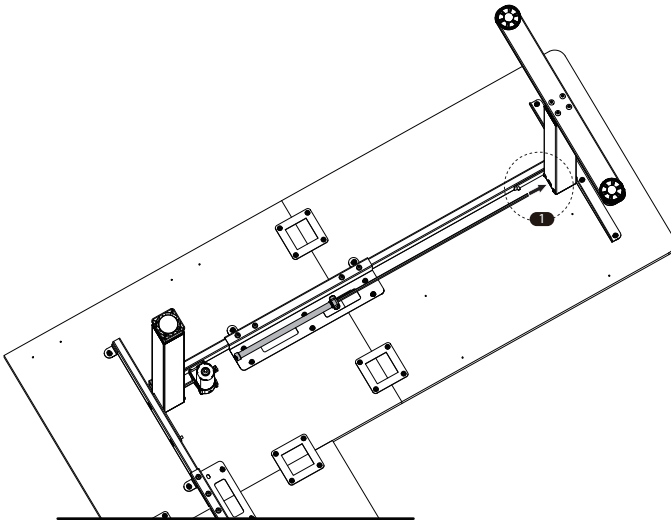
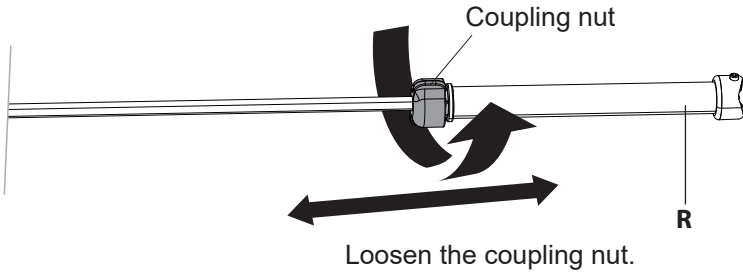


# Step 4

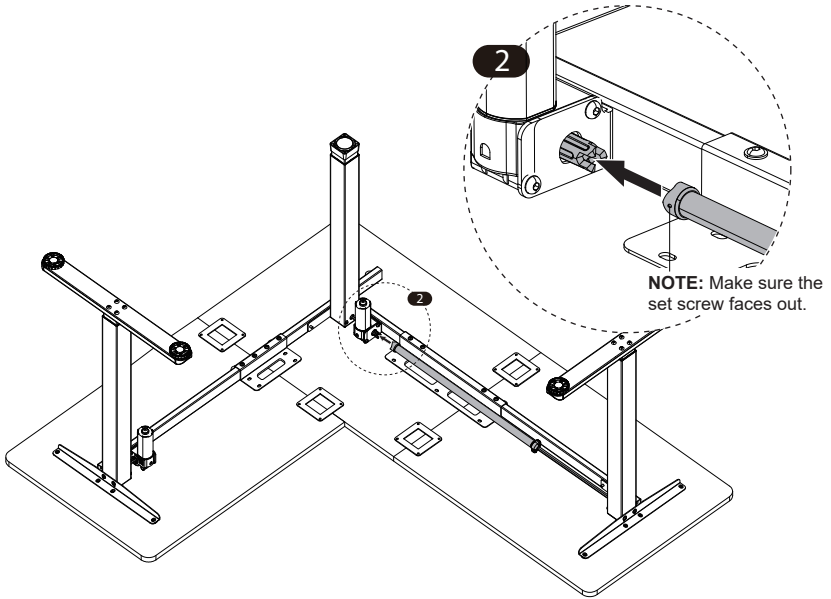
## Attaching the Transmission Rod

### Setting the Desk Legs to the Same Height

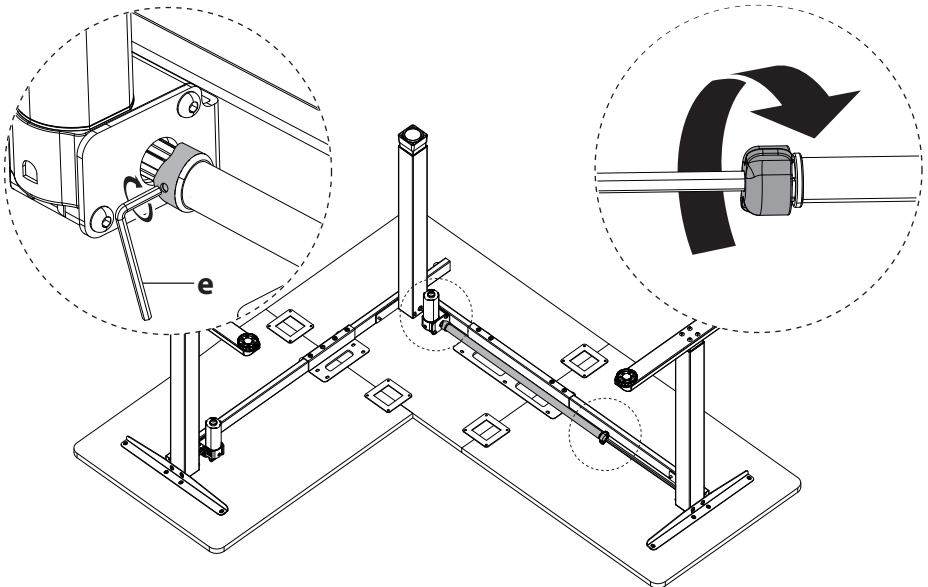
Before attaching the transmission rod, measure the heights of the left and middle desk legs to see if they are set at the same level. If not, insert the transmission rod into the hole in the left leg. Turn the rod to adjust the left leg so it's level with the middle leg. Turn the rod anti-clockwise to lower the left leg or clockwise to raise it.



Ensure the transmission rod is properly inserted into the hole in the left leg. Extend the rod to connect the other end to the motor drive shaft on the Middle Desk Leg.



Secure the transmission rod to the motor drive shaft by turning the set screw clockwise. Then tighten the coupling nut to fine-tune transmission rod fit.

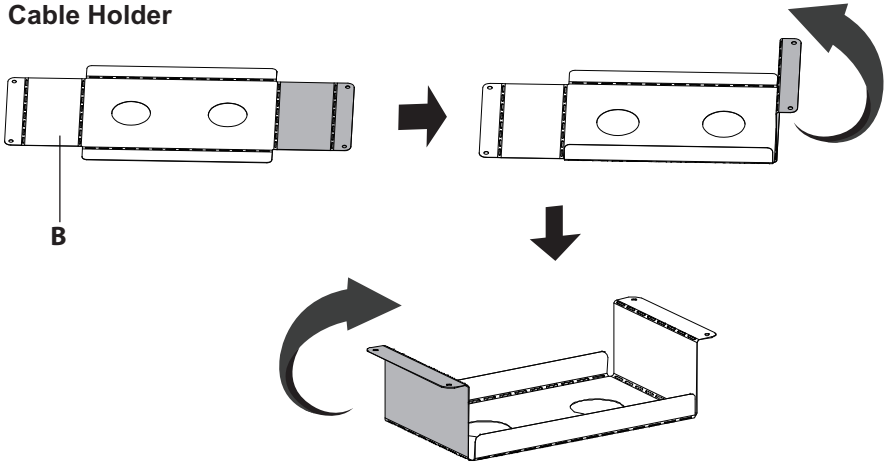


## Step 5

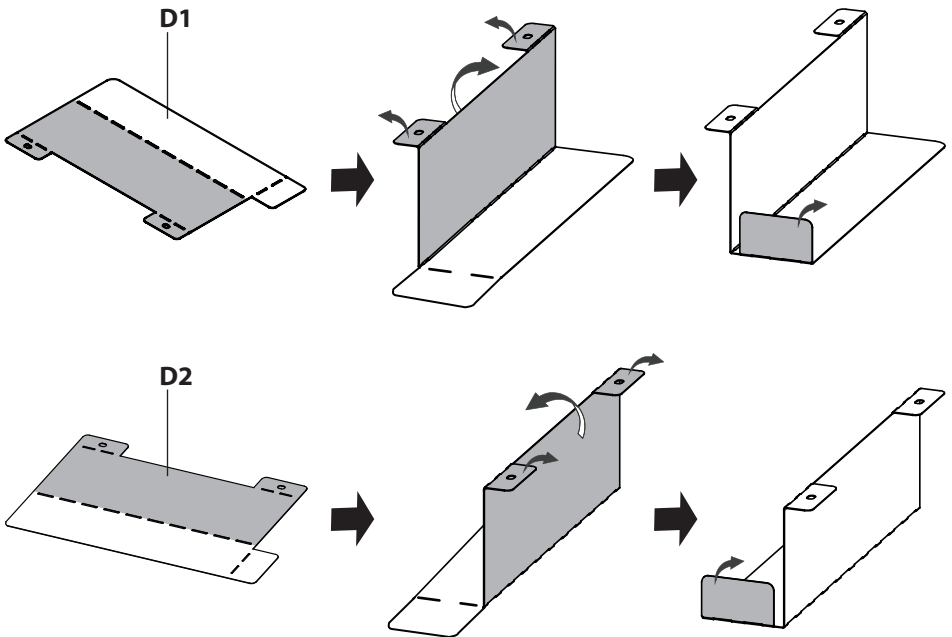
# Fold the Cable Holder and Cloth Drawer Brackets

Fold the Cable Holder and Cloth Drawer Brackets into the shape shown in the image. Fold with care, do not fold and unfold. If needed use the edge of a table or other solid edge to assist with folding them.

### Cable Holder



### Cloth Drawer Brackets

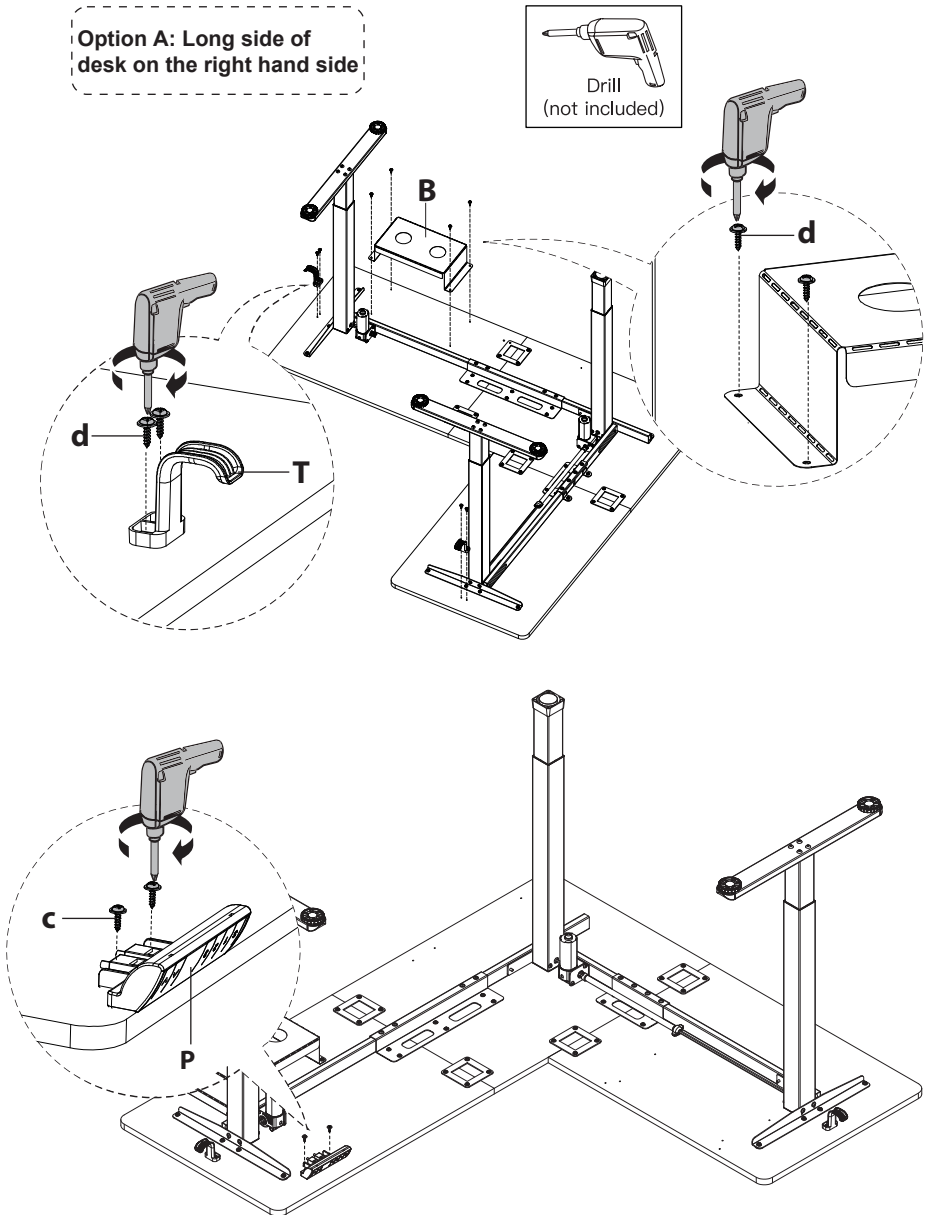
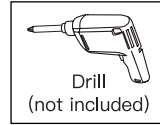


## Step 6

# Attach the Cable Holder / Headphone Hook / Control Panel and Cloth Drawer Brackets

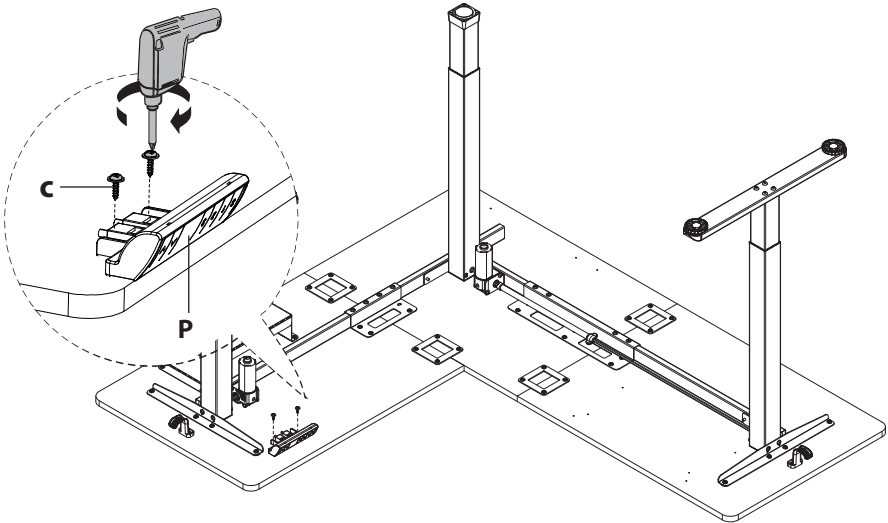
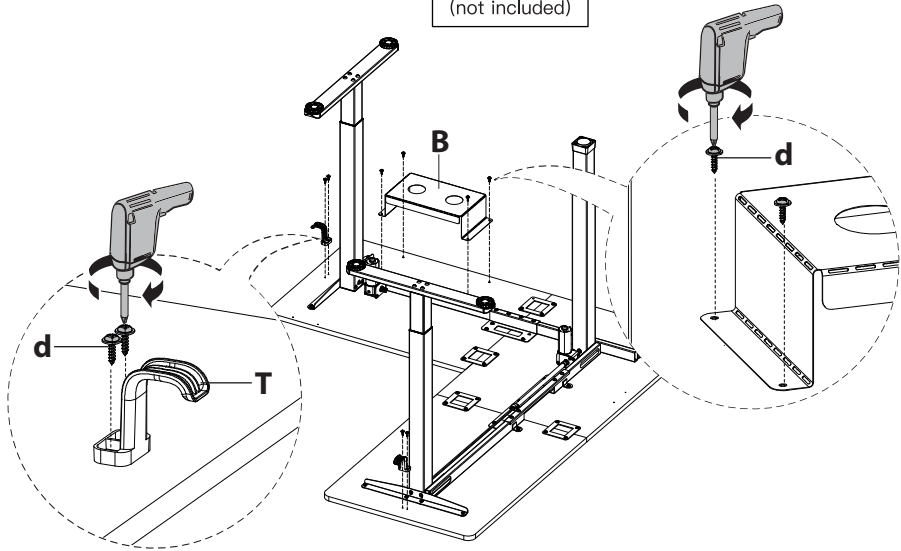
Attach the Cable Holder (#B) and Headphone Hooks (#T) to the Desktop, using Screws (#d). Attach the Control Panel (#P) to the Desktop, using Screws (#c).

**Option A: Long side of desk on the right hand side**

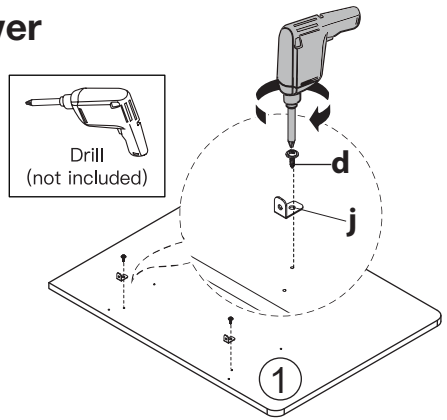
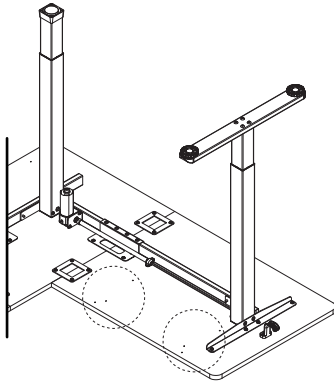


Attach the Cable Holder (#B) and Headphone Hooks (#T) to the Desktop, using Screws (#d). Attach the Control Panel (#P) to the Desktop, using Screws (#c).

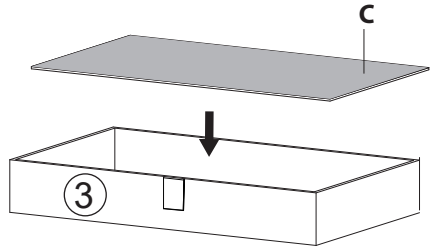
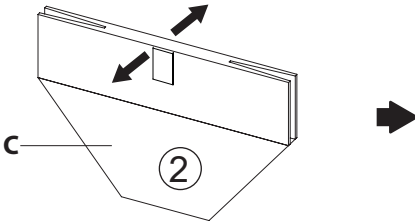
**Option B: Long side of desk on the left hand side**



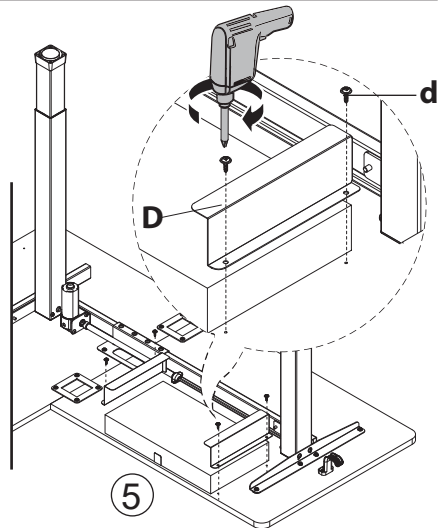
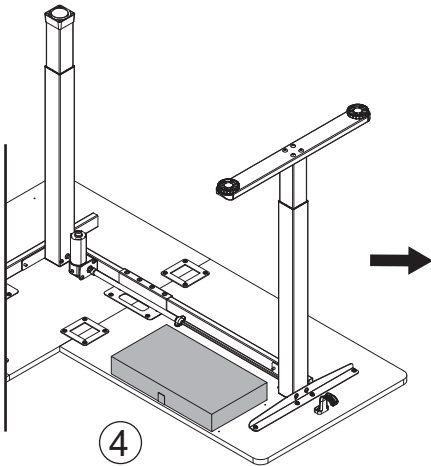
# Assemble the Cloth Drawer



Attach the Drawer Stoppers (#j) in the locations shown using Screws (#d), this will prevent the drawer from being accidentally removed from the desk.



Unfold the Cloth Drawer (#C) and put in the rectangular insert.



Place the assembled Cloth Drawer (#C) upside down on the desk so that it is covering the Drawer Stoppers (#j) and in between the pre-drilled holes on each side.

Attach the Cloth Drawer Brackets (#D) to the Desktop using Screws (#d) so that they hold the Cloth Drawer in place.

# Step 7

## Connect the Power Lines and Attach the Cable Clips

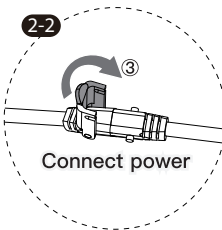
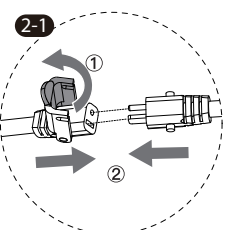
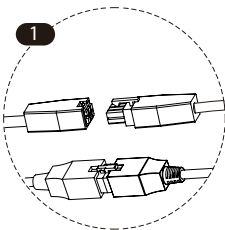
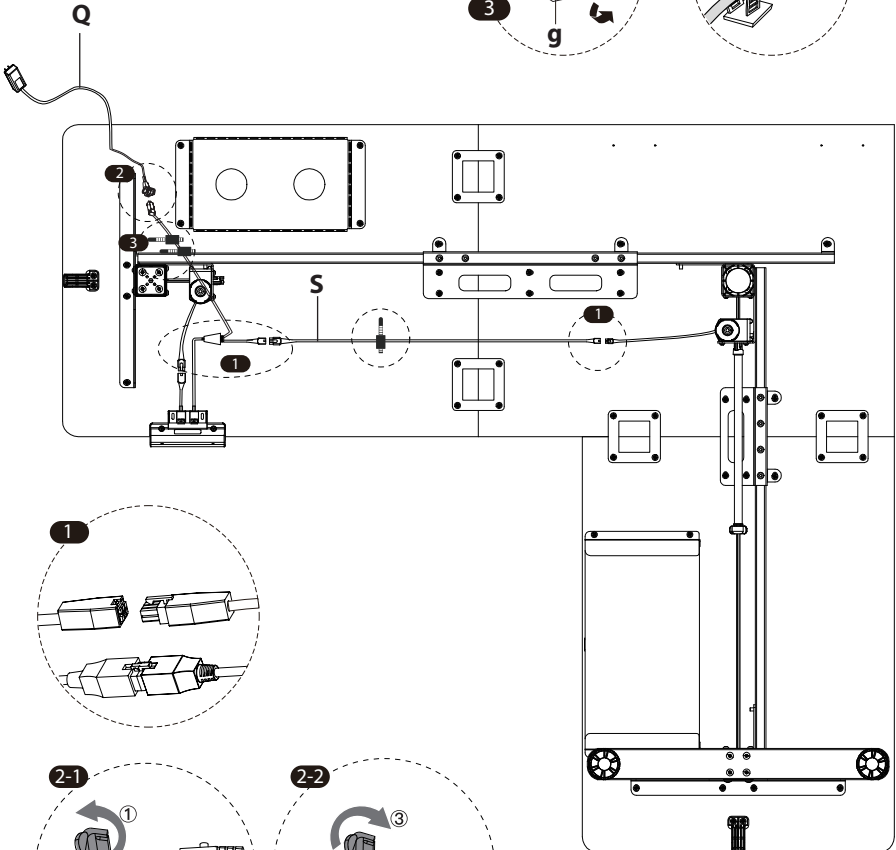
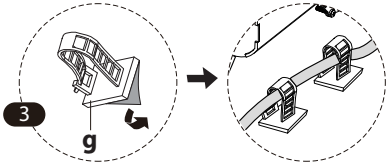
### Connect the Power Lines

Connect the Power Lines as shown in the image.

### Attach the Cable Clips

Attach the Cable Clips (#g) to the underside of the desktop as needed. It is recommended that they be placed approximately in the middle of each length of wire to prevent the cords from hanging too low. Open the Cable Clip as shown in the magnification bubbles, insert the cord and close the clip again.

Option A: Long side of desk on the right hand side!



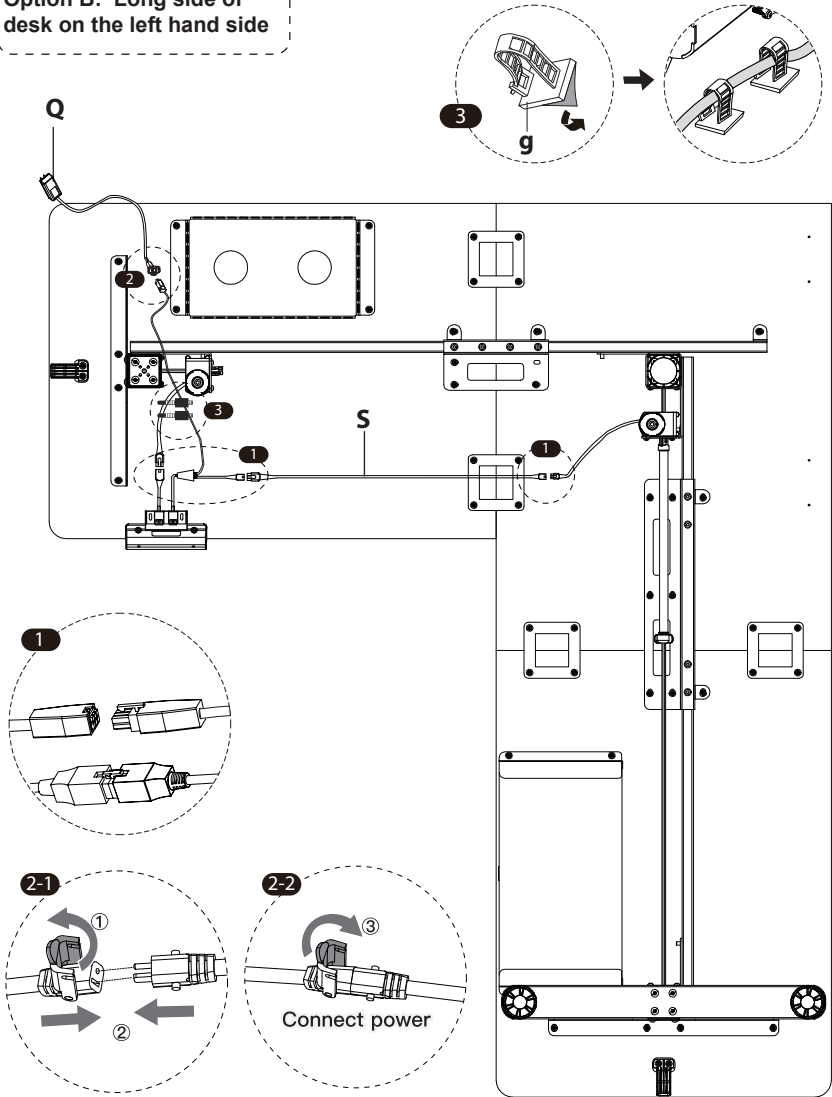
### Connect the Power Lines

Connect the Power Lines as shown in the image.

### Attach the Cable Clips

Attach the Cable Clips (#g) to the underside of the desktop as needed. It is recommended that they be placed approximately in the middle of each length of wire to prevent the cords from hanging too low. Open the Cable Clip as shown in the magnification bubbles, insert the cord and close the clip again.

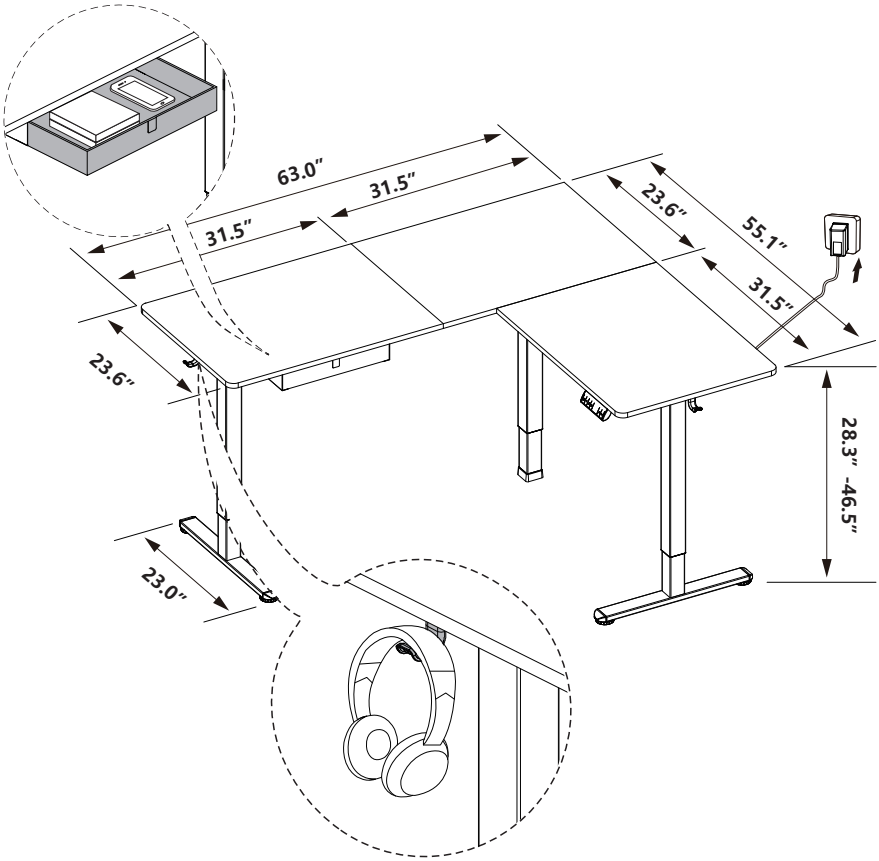
**Option B: Long side of desk on the left hand side**



# Step 8

## Connect the Power

Flip the desk over and connect the power adapter (#Q) to a wall outlet. Please follow the reset procedure before operating the desk: Press and hold the down button for 5 seconds, and the screen will show "RES". Continue holding until the desk goes down to its lowest level and comes back up slightly. Caution: Heavy, this step may require additional assistance to turn the desk over.



Power Input  
110V-240V



Speed  
20 mm/s



Motion Noise  
<55dB

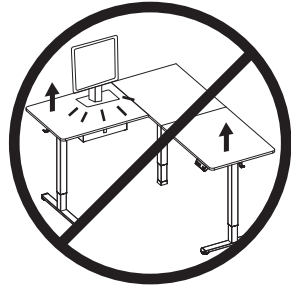


Load Capability  
176 lbs / 80 kg

## Warnings



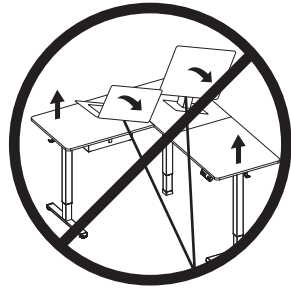
Do not exceed desk weight limit.



Keep area of vertical motion free of obstacles.



Keep weight on desk balanced for correct operation and longer life of components.



Leave enough slack in cables to allow for full range of vertical motion.

Visit us at [www.mount-it.com](http://www.mount-it.com) for product registration and warranty information.

Our US based customer service team is standing by to answer any questions you have about your Mount-It! product.

Available by phone **Monday - Friday from 8:00am to 4:00pm PST.**

*Chat live with an agent on our website!*



[support@mount-it.com](mailto:support@mount-it.com)



(855) 925-5668



[www.mount-it.com](http://www.mount-it.com)