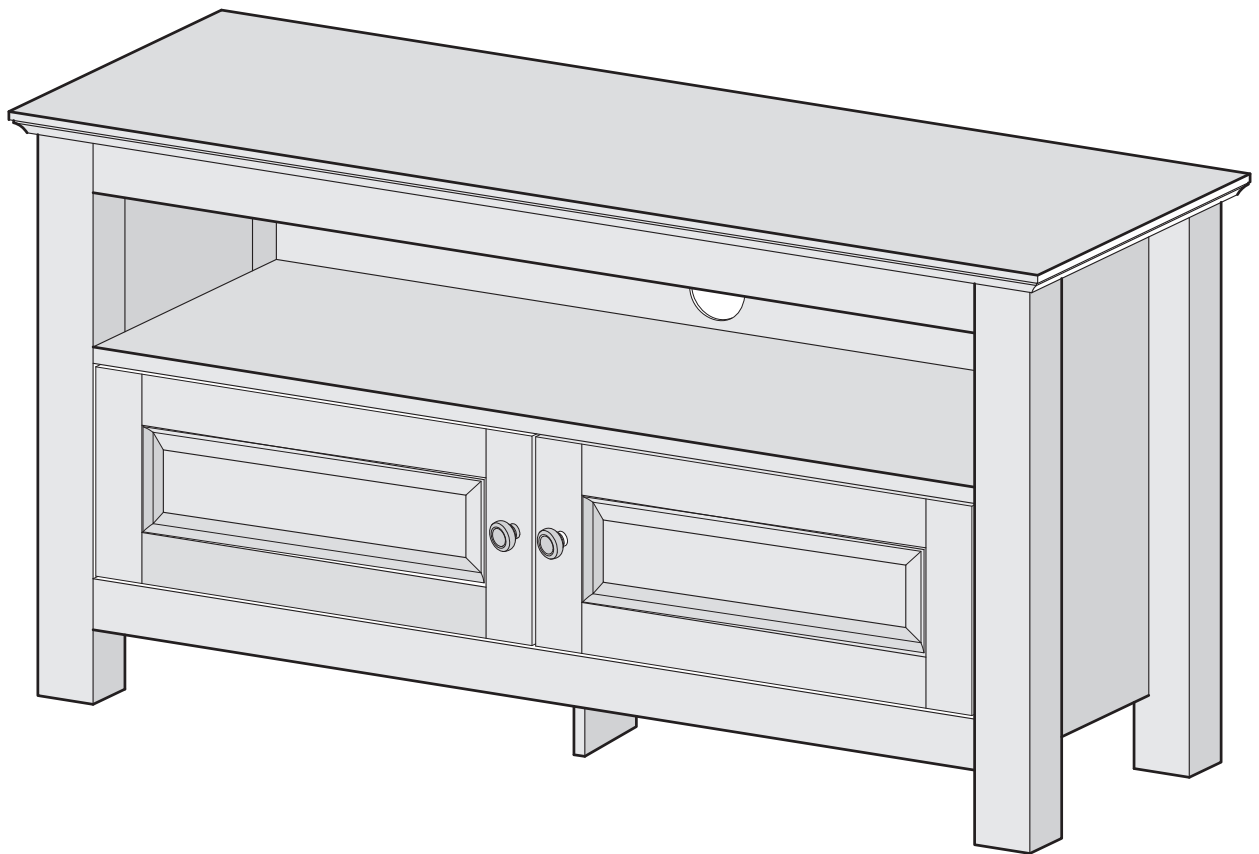
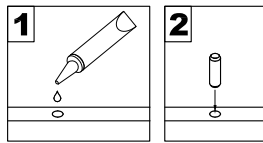


Assembly Instructions

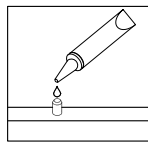


General Assembly Guidelines

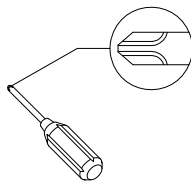
- I. Ensure that all parts and hardware are available before beginning assembly.
- II. Follow each step carefully to ensure the proper assembly of this product.
- III. Two people are recommended for ease in the assembly of this product.
- IV. The main types of hardware used to assemble this product are: wood dowels, cam bolts and locks, bolts and screws.
- V. The provided glue is to secure wood dowels in place. When first inserting dowels, locate the appropriate hole for the dowel, place a small amount of glue in the hole and insert the dowel. Wipe away excess glue immediately.



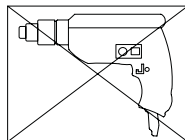
In future assembly steps when dowels are necessary to attach assembly parts together, place a small amount of glue on the end of the dowel before attaching parts together. Wipe away excess glue immediately.



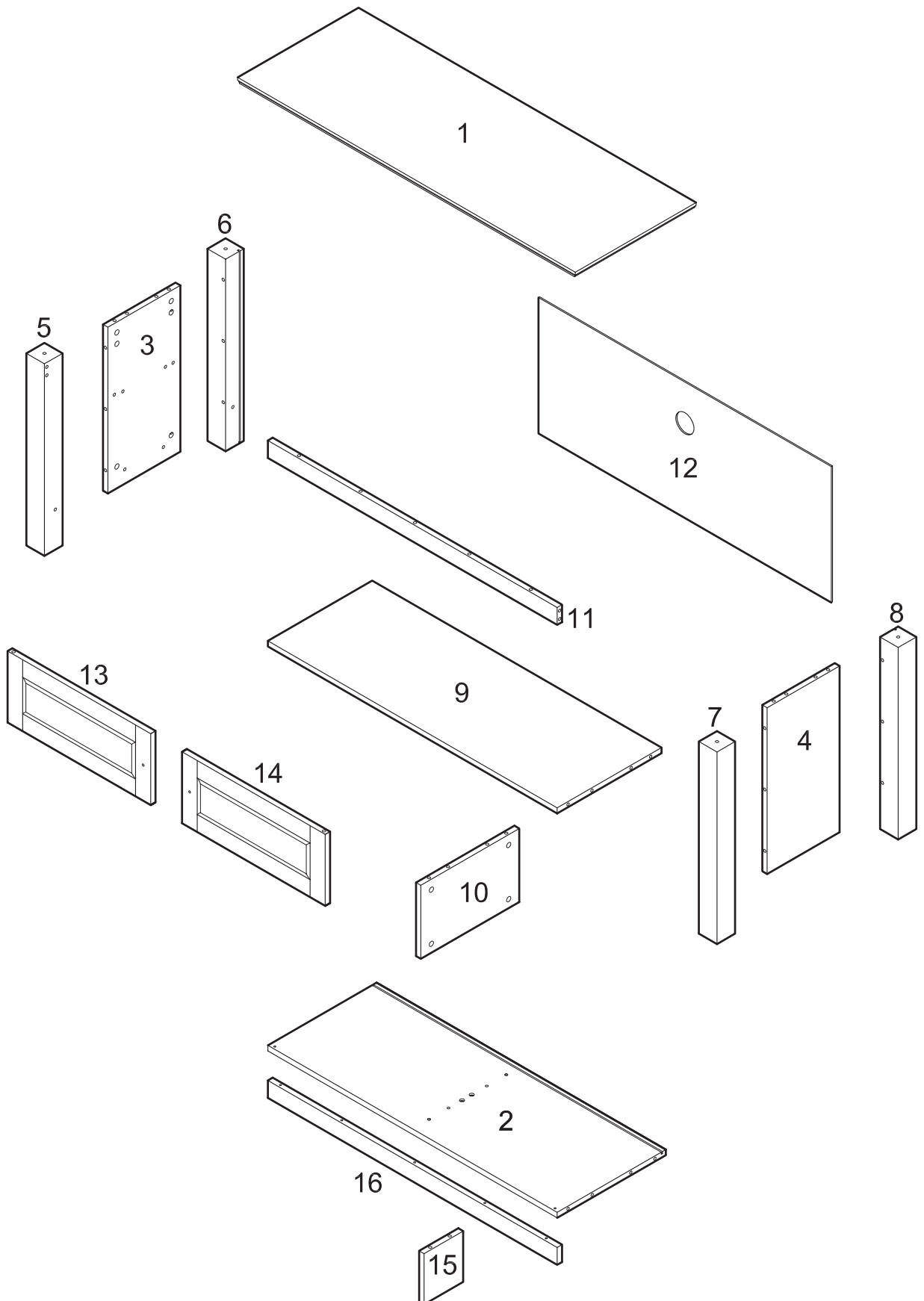
- VI. A Phillips head screwdriver is required for the assembly of this product.




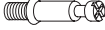

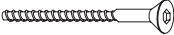



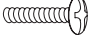
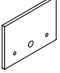

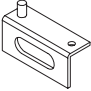
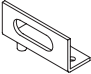






- VI. Power tools should not be used to assemble this product.



Parts List

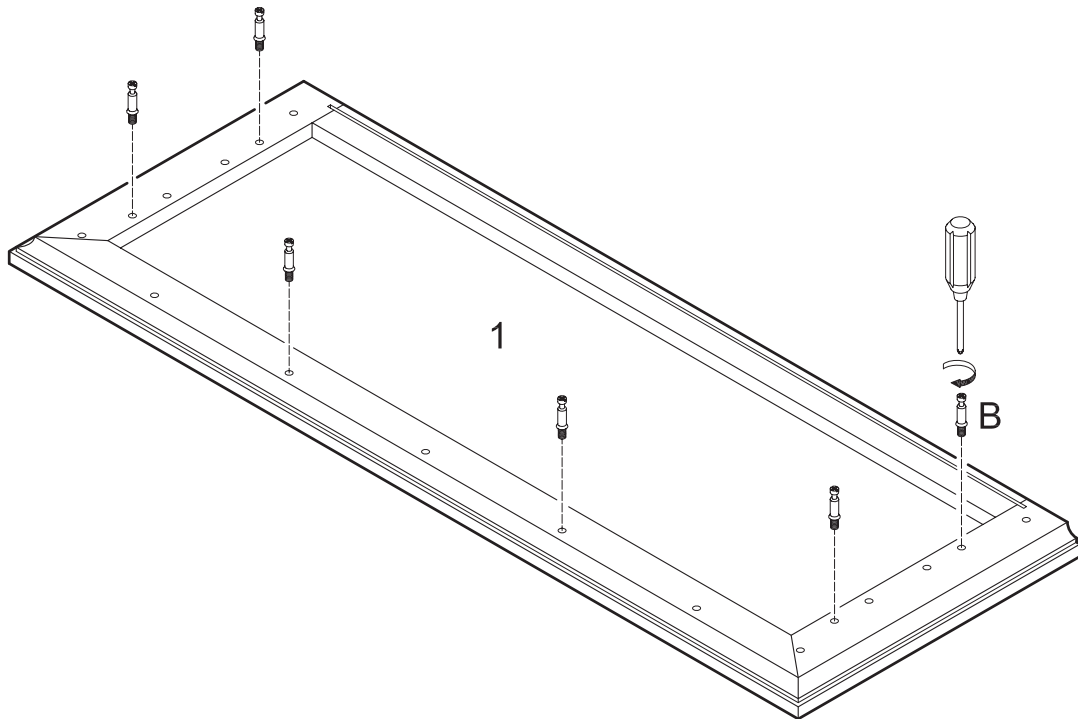


Hardware List

A		Ø8x30	Wood dowel	31 pcs
B		Ø6x35	Cam bolt	31 pcs
C		Ø15x12	Cam lock	31 pcs
D		Ø6x50mm	Long bolt	2 pcs
E			Door stopper	2 pcs
F		Ø3x15mm	Medium screw	4 pcs
G		Ø25x17mm	Handle	2 pcs
H		Ø4x19mm	Short bolt	2 pcs
J		30x20mm	Door stopper plate	2 pcs
K		Ø3x12mm	Small screw	10 pcs
L		40x15.5x15mm	Door hinge	2 pcs
M		40x15.5x15mm	Door hinge	2 pcs
N		Ø9.5x12mm	Plastic pivot	4 pcs
P			Plastic wedge	8 pcs
Q		Ø3x17	Large screw	8 pcs
R		Ø4	Wrench	1 pcs
S			Glue tube	2 pcs
T		Ø25	Sticker	28 pcs

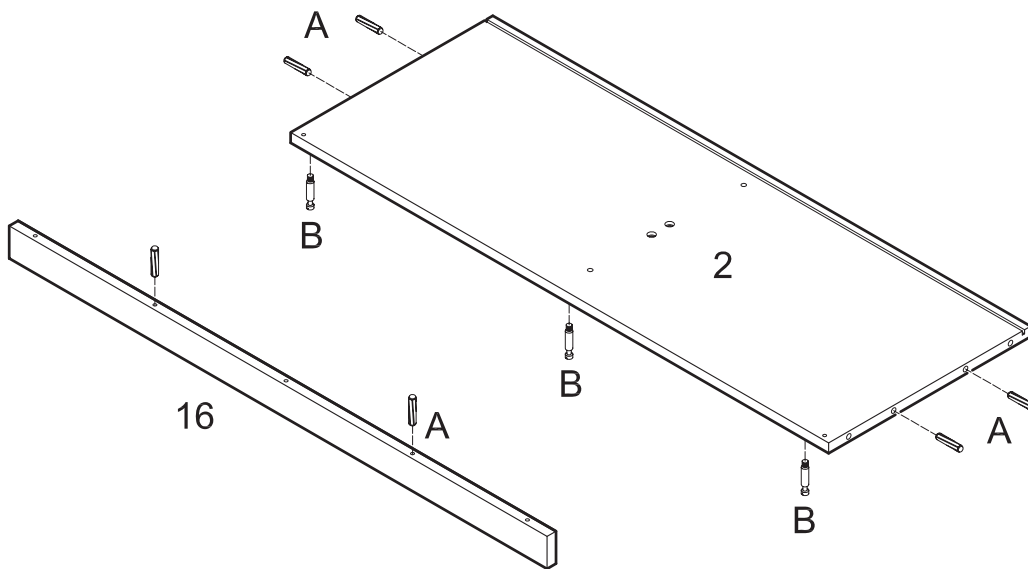
*The hardware quantities listed above are required for proper assembly.
Some extra hardware may also have been included.*

Step 1



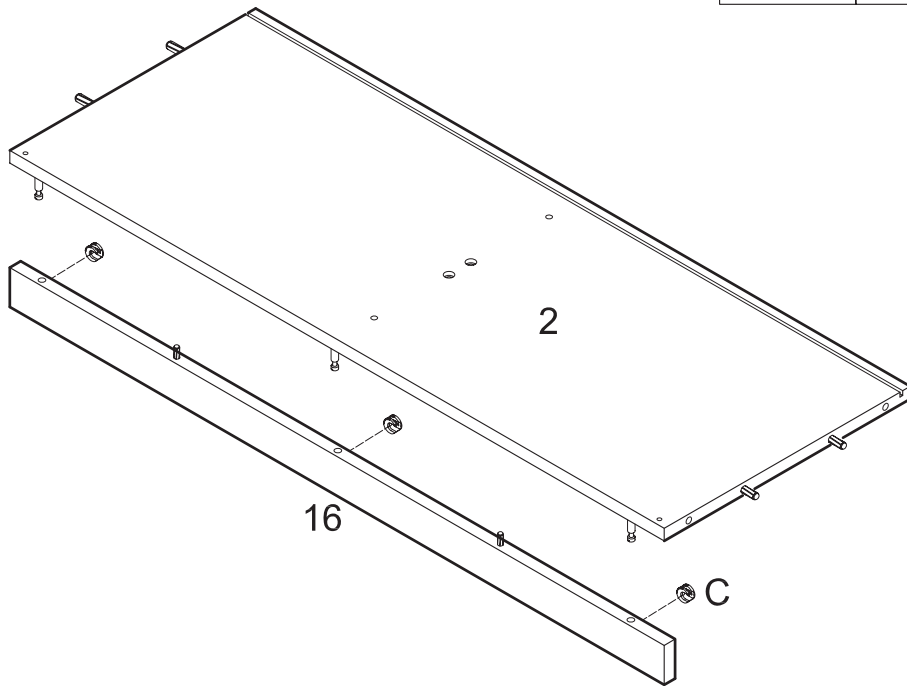
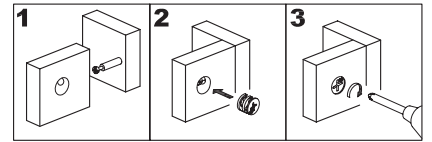
Screw cam bolts (B) into stand top (1).

Step 2



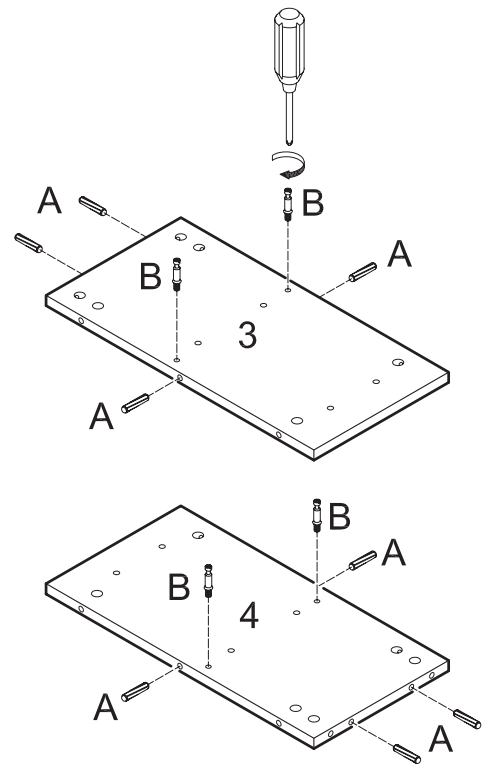
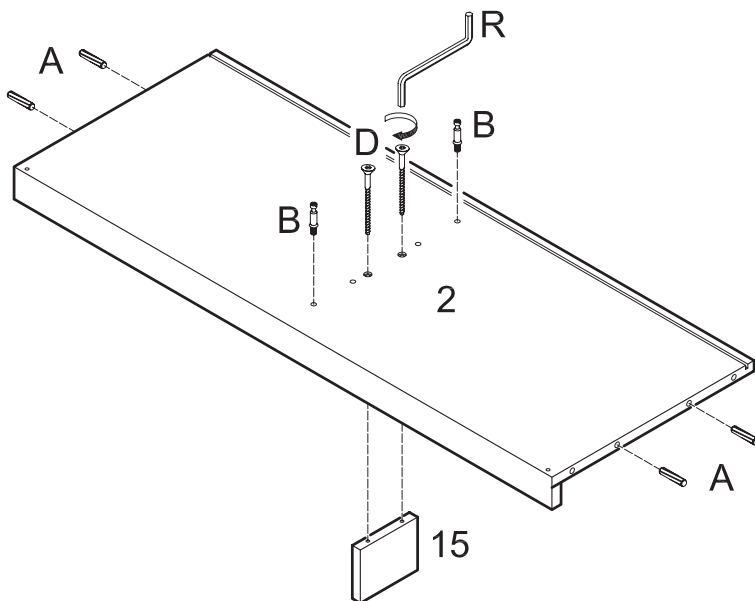
Screw cam bolts (B) into panel (2). Insert dowels (A) into panel (2) and slat (16).

Step 3



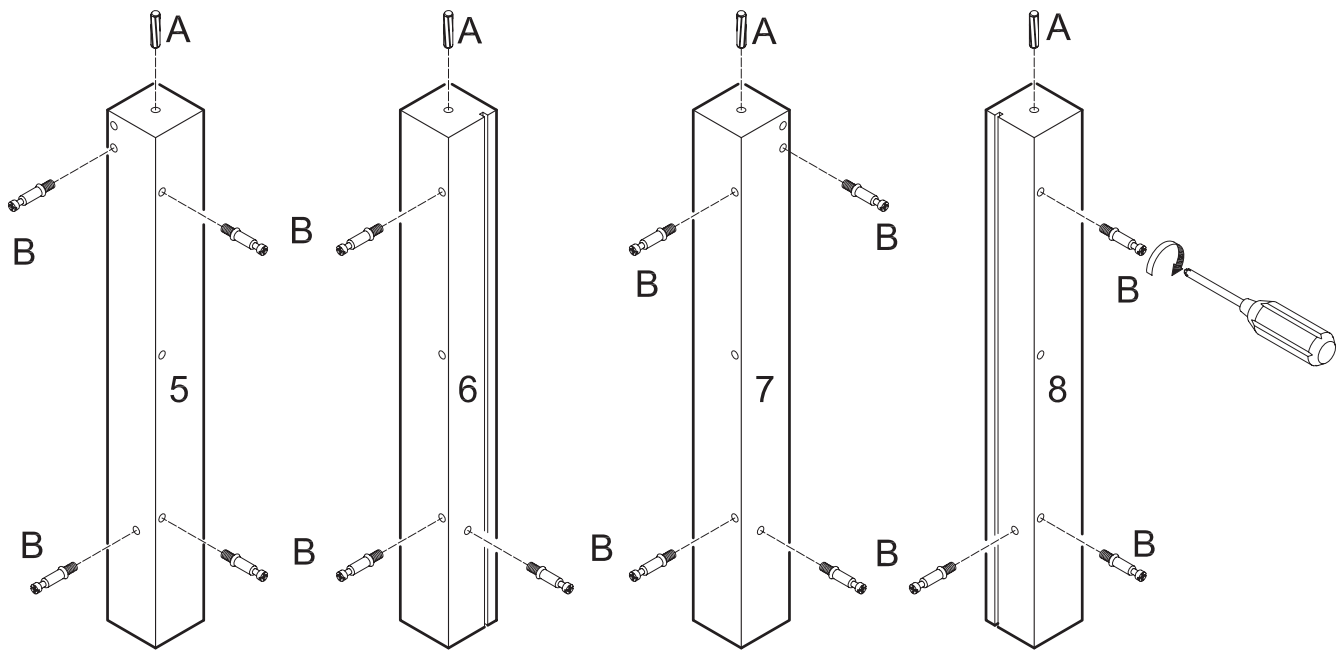
Attach slat (16) to panel (2) using cam bolts and dowels as guides. Insert cam locks (C) into slat (16) and tighten with a screwdriver.

Step 4



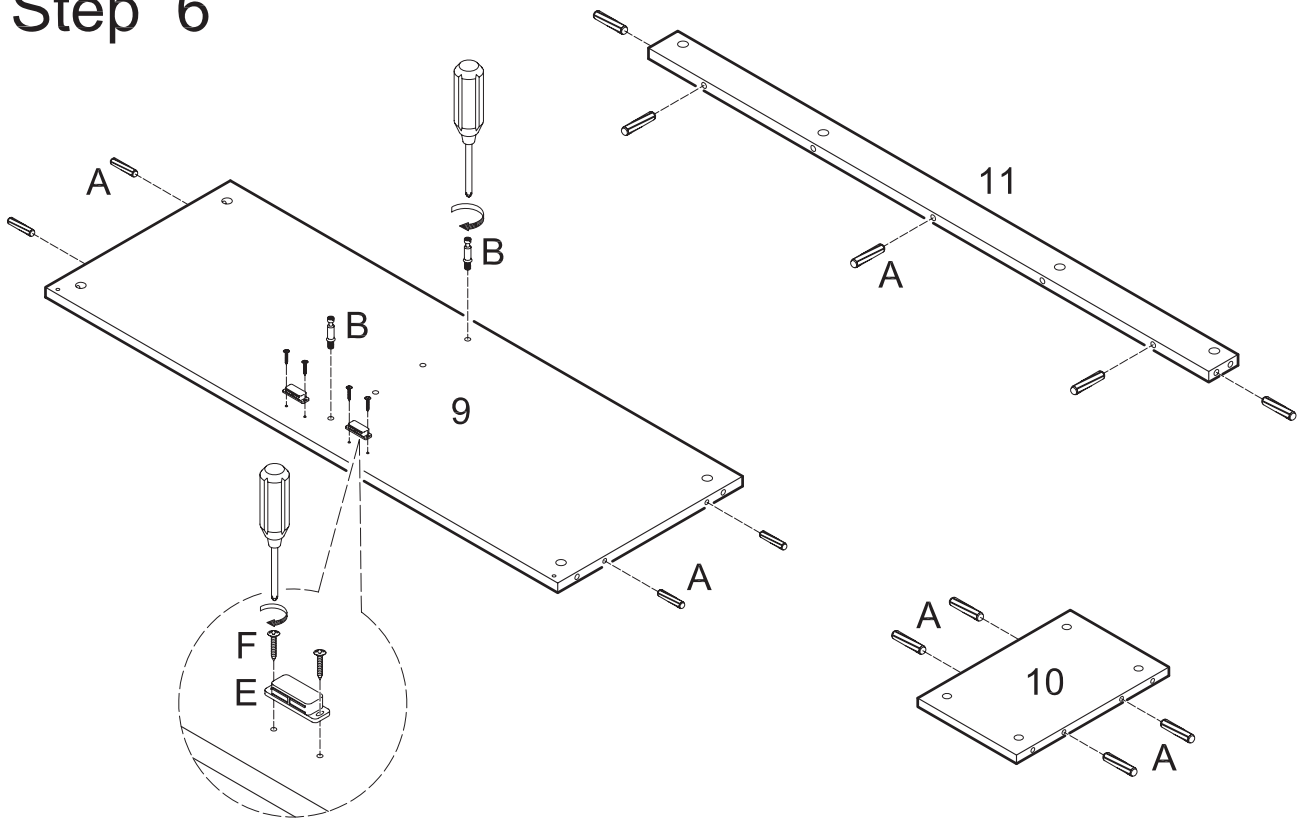
Attach support leg (15) to panel (2) using long bolts (D). Tighten long bolts (D) with wrench (R). Screw cam bolts (B) into panels (2,3,4). Insert dowels (A) into panels (2,3,4).

Step 5



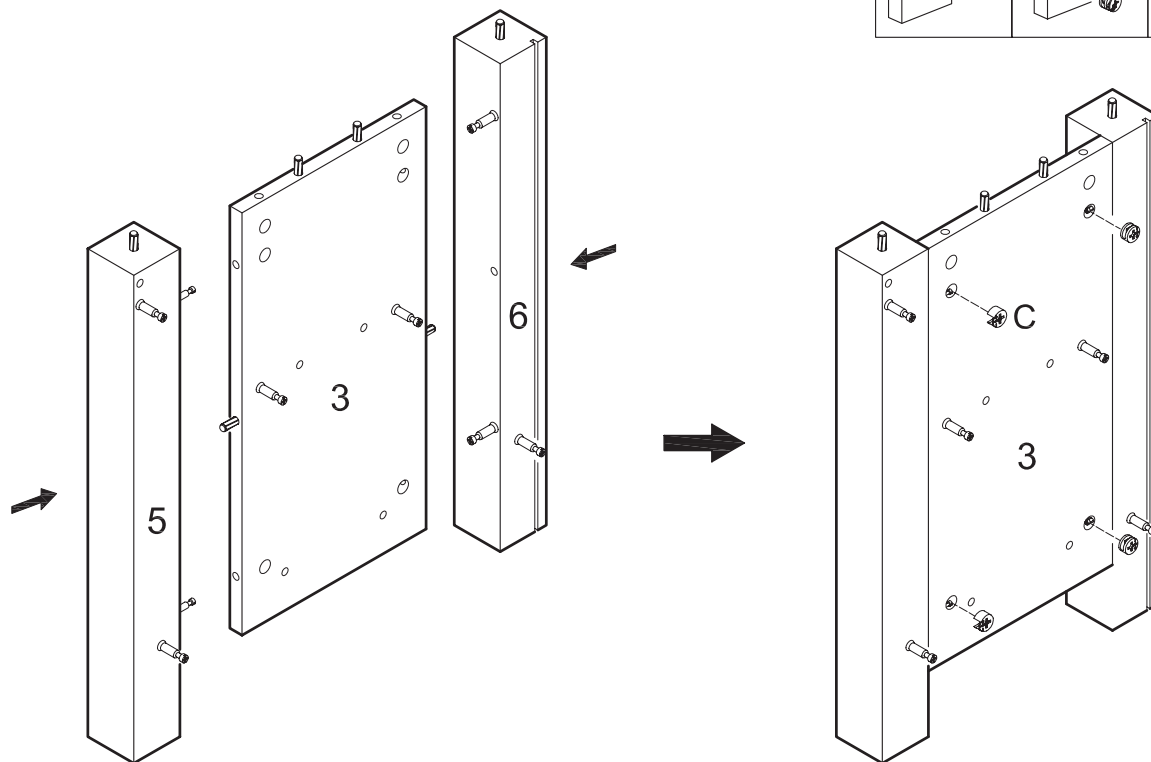
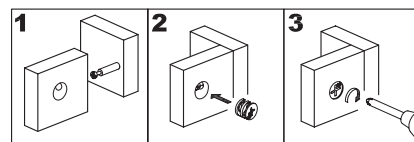
Screw cam bolts (B) into legs (5,6,7,8). Insert dowels (A) into legs (5,6,7,8).

Step 6



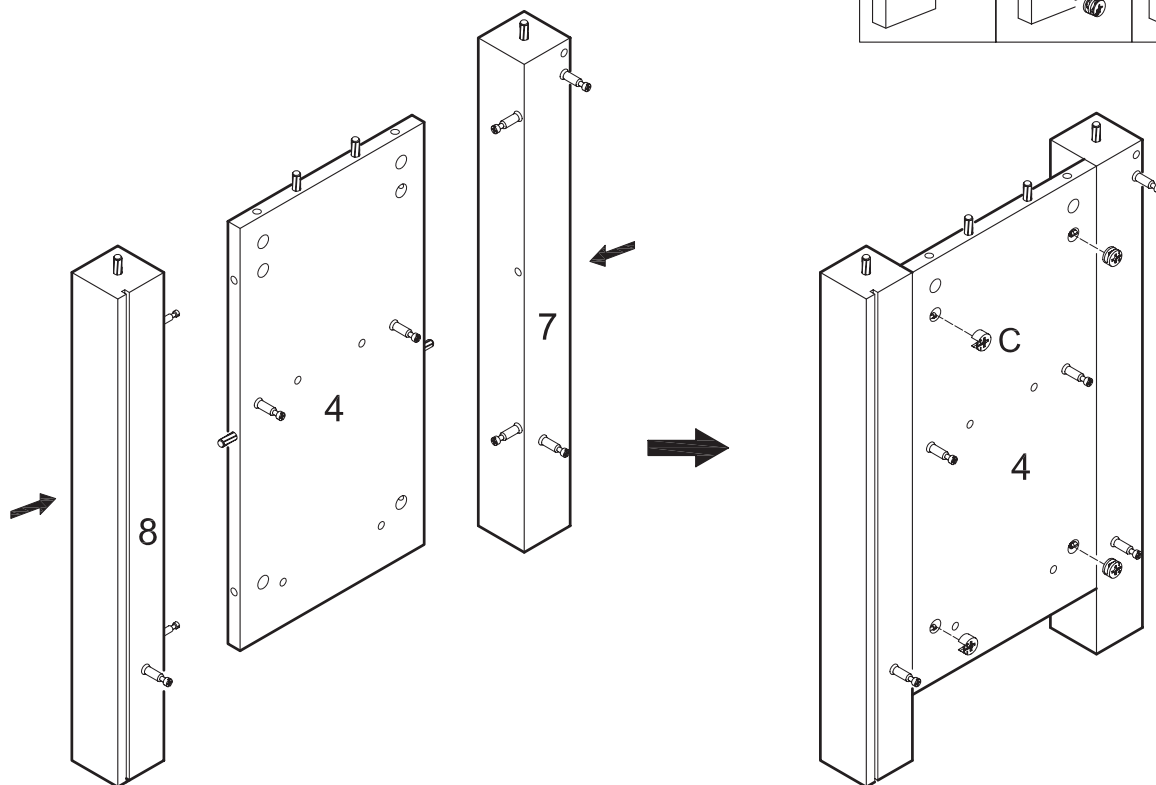
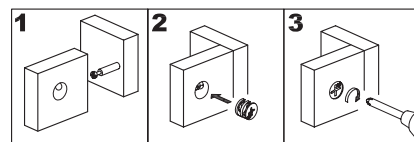
Insert dowels (A) into shelf (9), panel (10) and slat (11). Screw cam bolts (B) into shelf (9). Attach door stoppers (E) to shelf (9) using medium screws (F).

Step 7



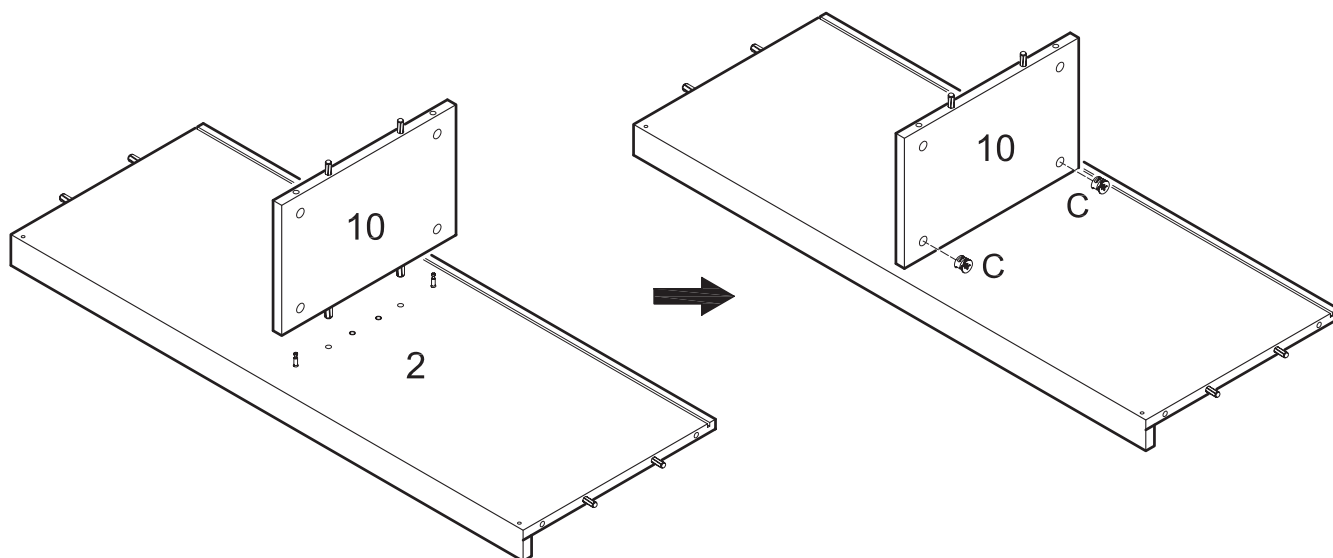
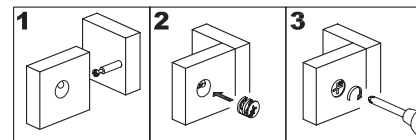
Attach legs (5,6) to panel (3) using cam bolts and dowels as guides. Insert cam locks (C) into panel (3) and tighten with a screwdriver.

Step 8



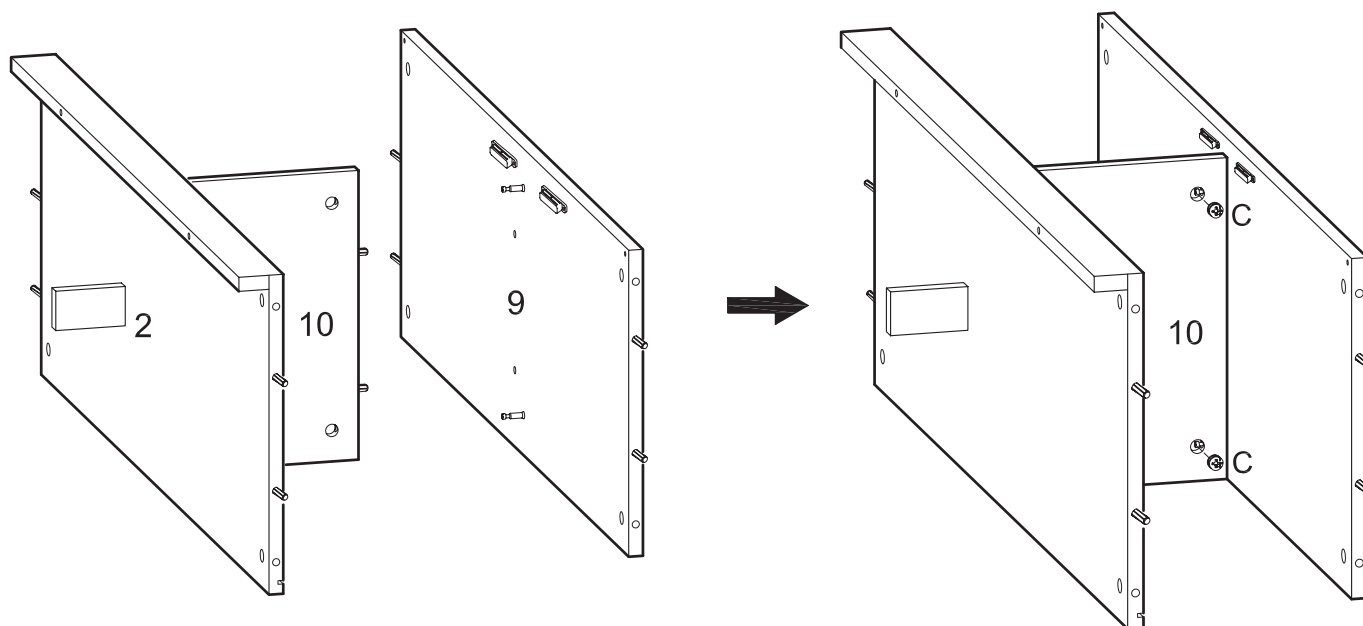
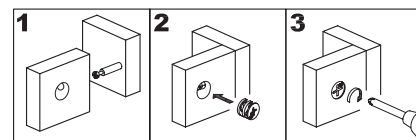
Attach legs (7,8) to panel (4) using cam bolts and dowels as guides. Insert cam locks (C) into panel (4) and tighten with a screwdriver.

Step 9



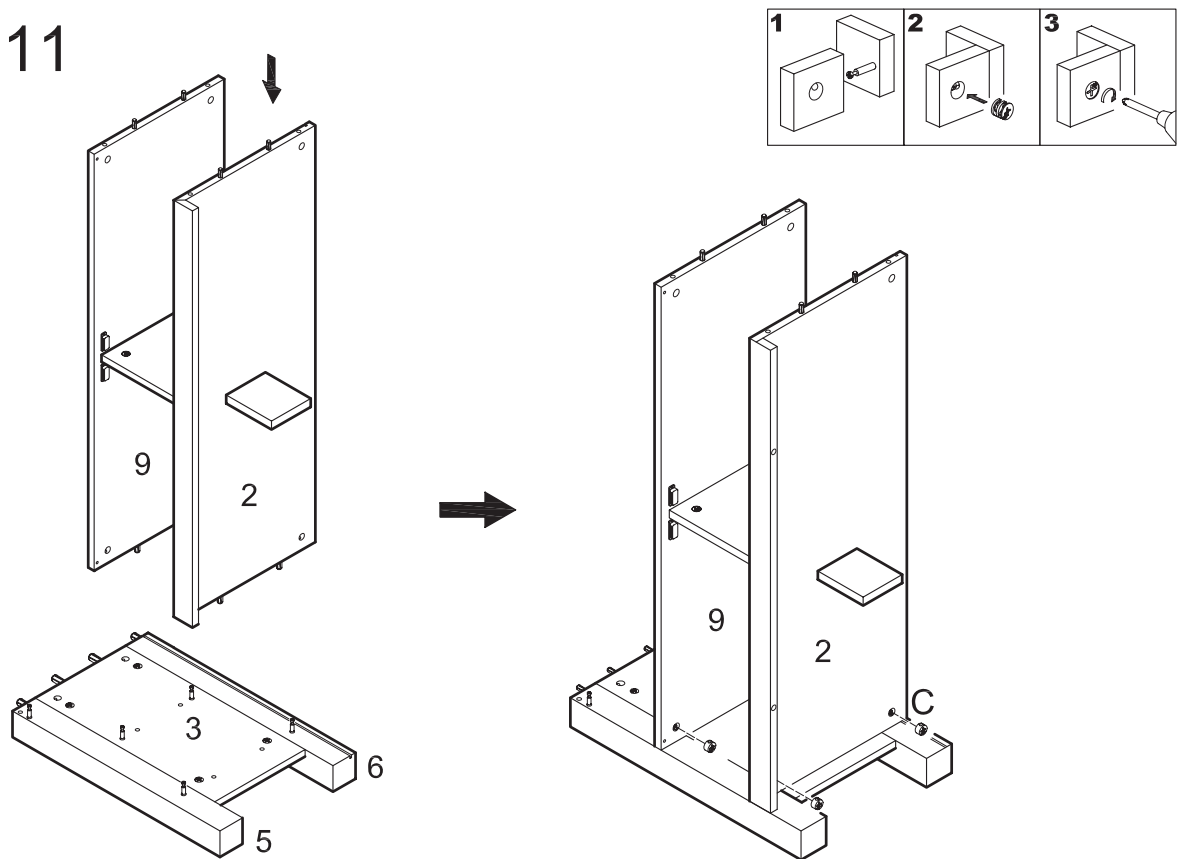
Attach panel (10) to panel (2) using cam bolts and dowels as guides. Insert cam locks (C) into panel (10) and tighten with a screwdriver.

Step 10



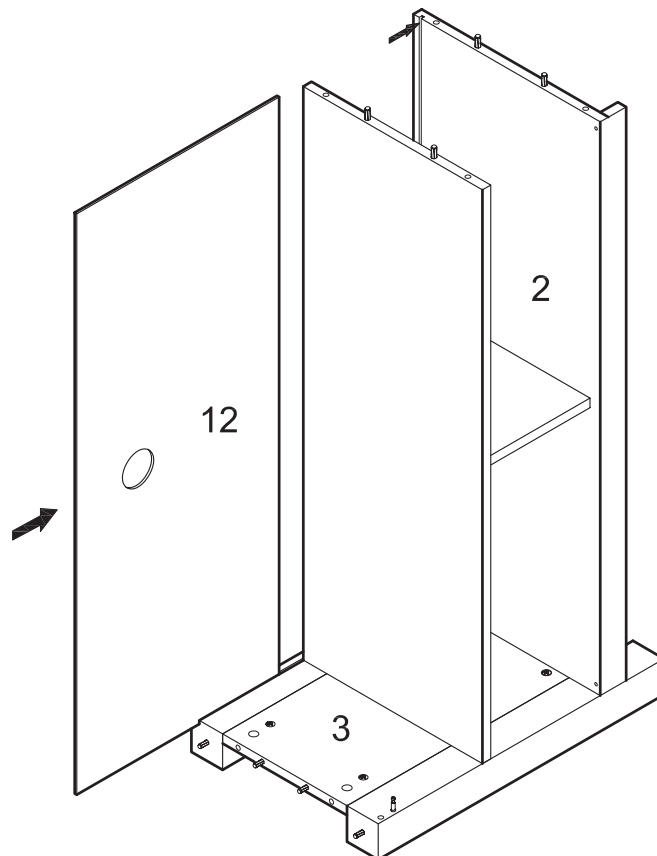
Attach shelf (9) to panel (10) using cam bolts and dowels as guides. Insert cam locks (C) into panel (10) and tighten with a screwdriver.

Step 11



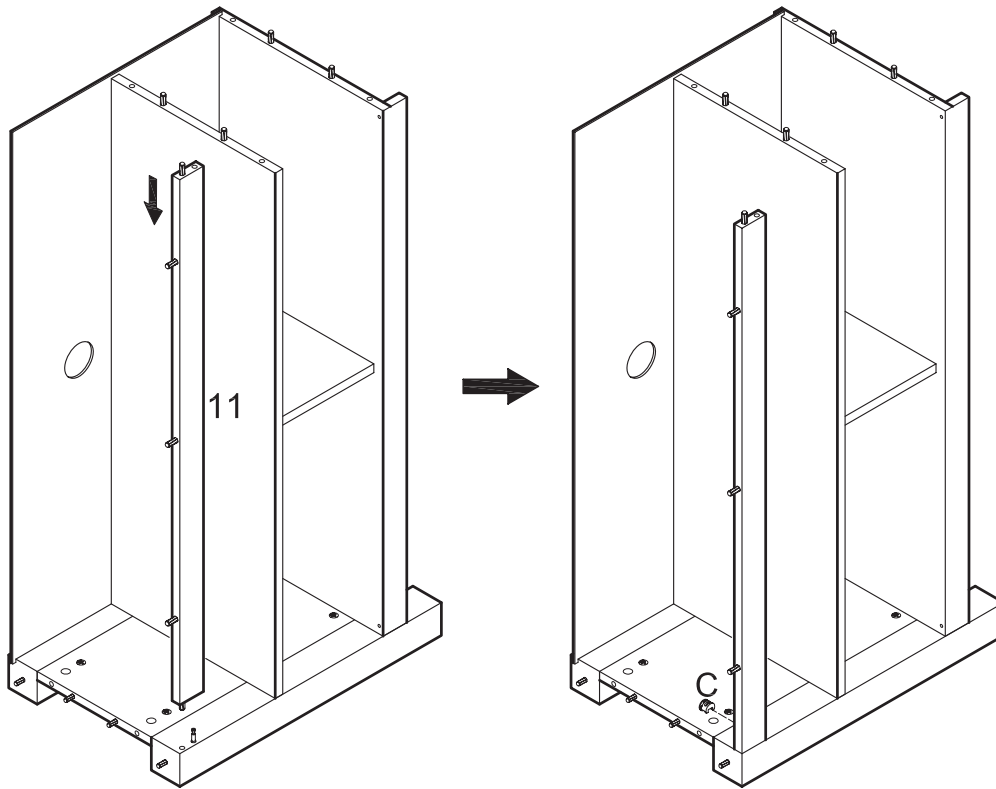
Attach the assembly from the previous step to the panel (3) assembly using cam bolts and dowels as guides. Insert cam locks (C) into panel (2) and shelf (9) and tighten with a screwdriver. *Two cam locks (C) will be inserted into panel (2) and into shelf (9).*

Step 12



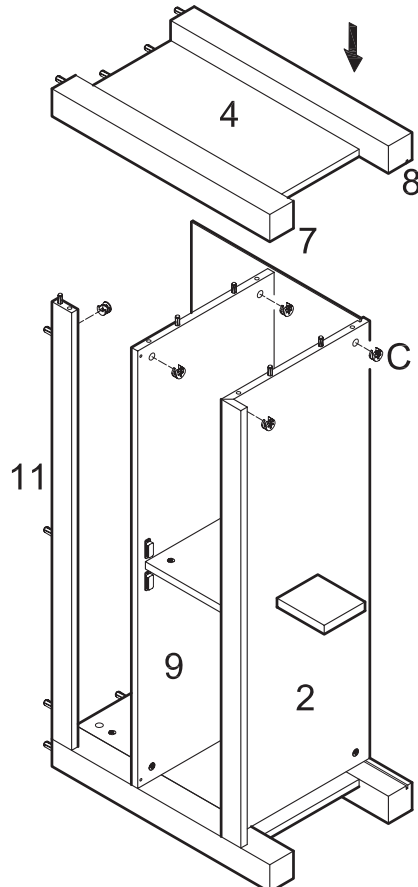
Slide back panel (12) into place. *Back panel (12) will fit into the grooves of panels (2,3).*

Step 13



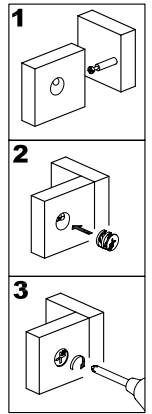
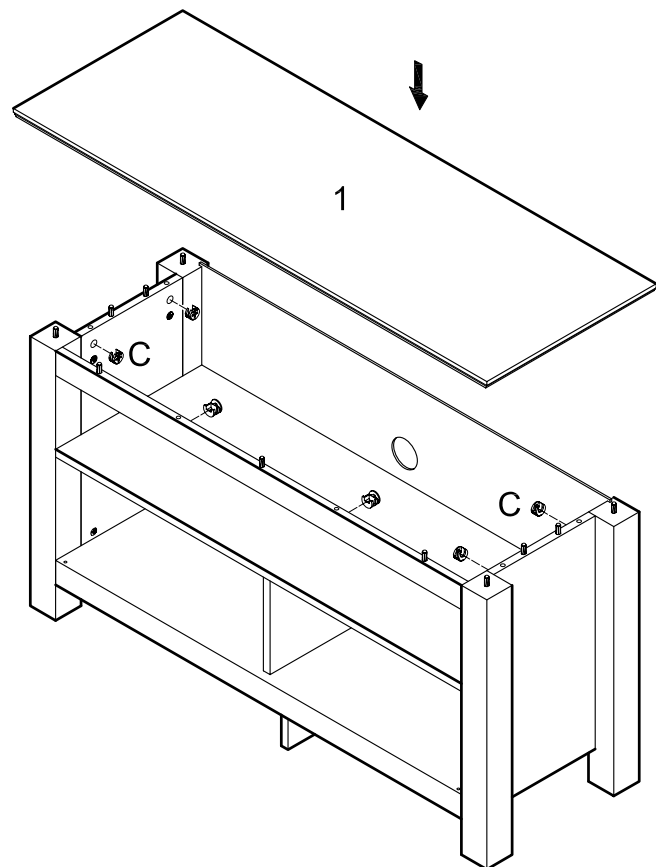
Attach slat (11) to the frame assembly using cam bolt and dowel as guides. Insert cam lock (C) into slat (11) and tighten with a screwdriver.

Step 14



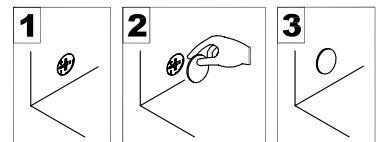
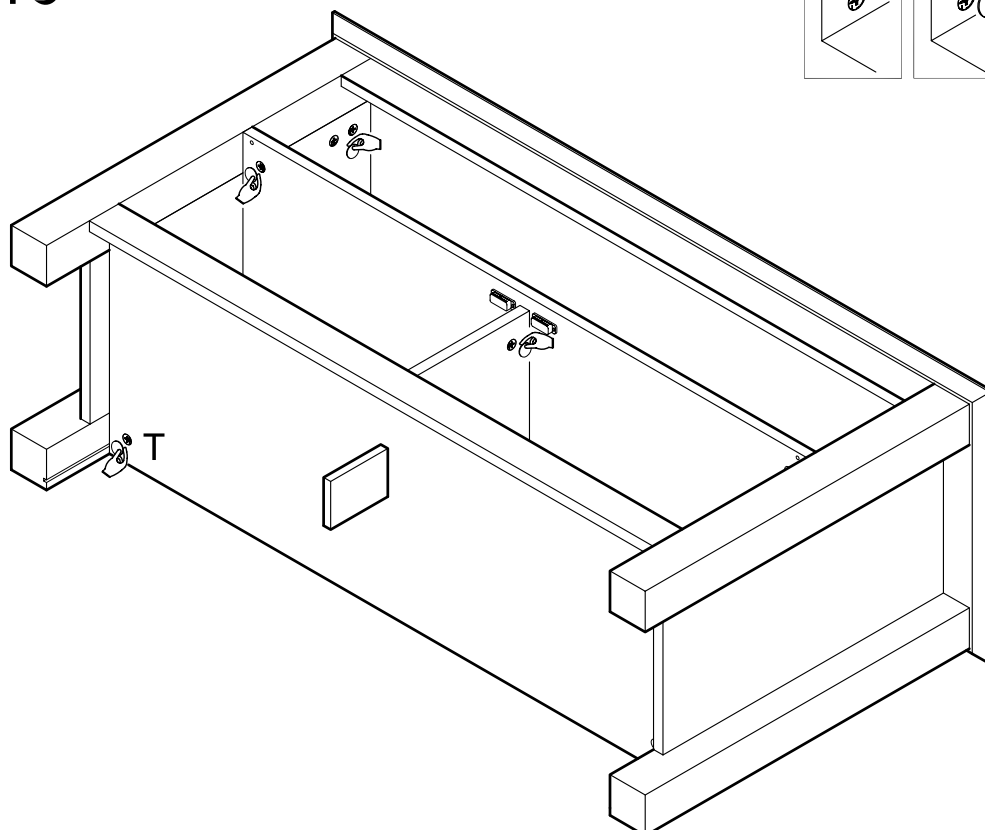
Insert cam locks (C) into panel (2), shelf (9) and slat (11). Attach the panel (4) assembly to the frame assembly using cam bolts and dowels as guides. Tighten cam locks (C) with a screwdriver.

Step 15



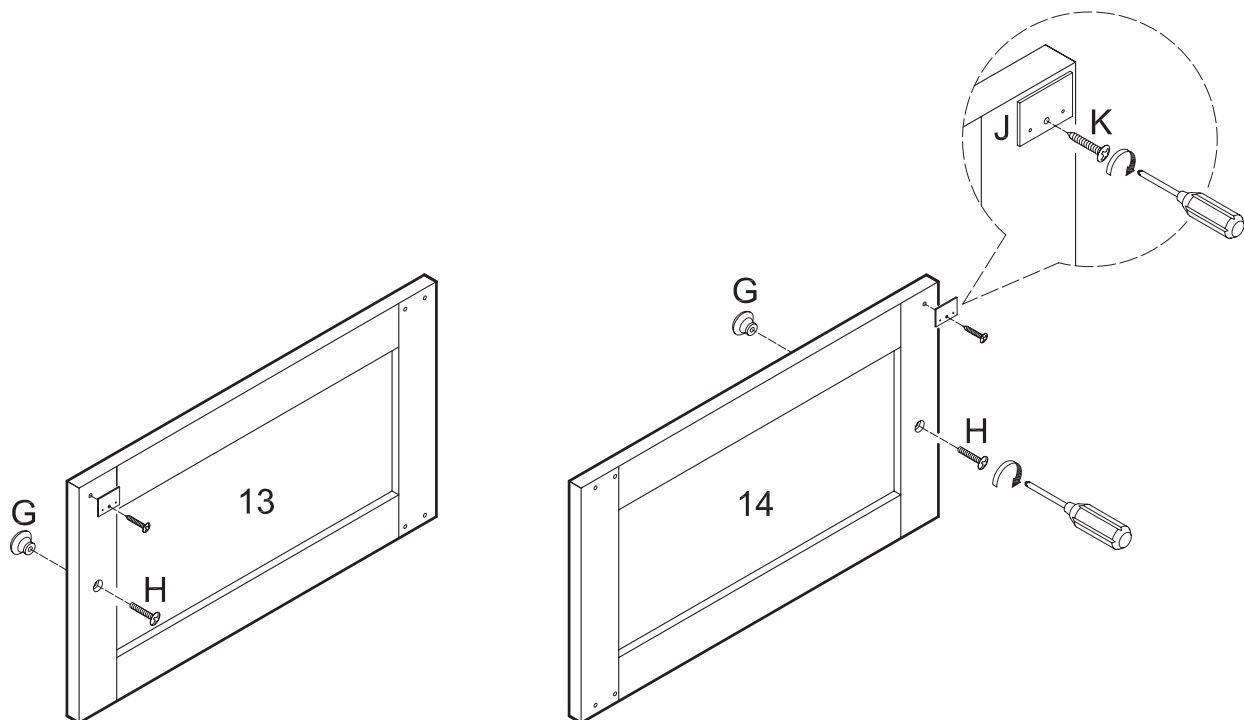
Insert cam locks (C) into the frame assembly. Attach stand top (1) to the frame assembly using cam bolts and dowels as guides. Tighten cam locks (C) with a screwdriver.

Step 16



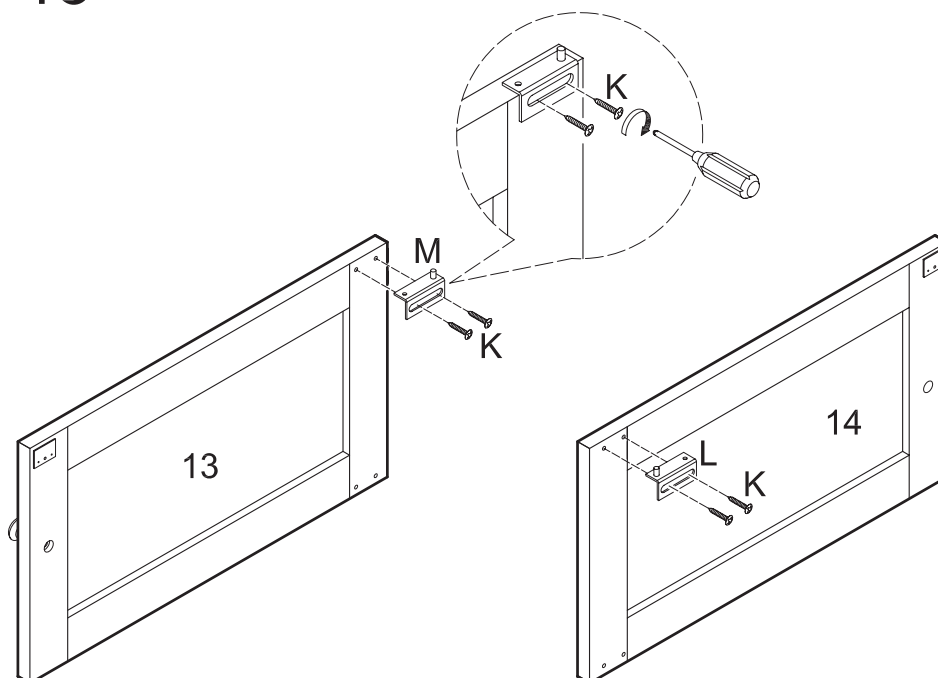
Cover all visible cam locks (C) with stickers (T) as desired.

Step 17



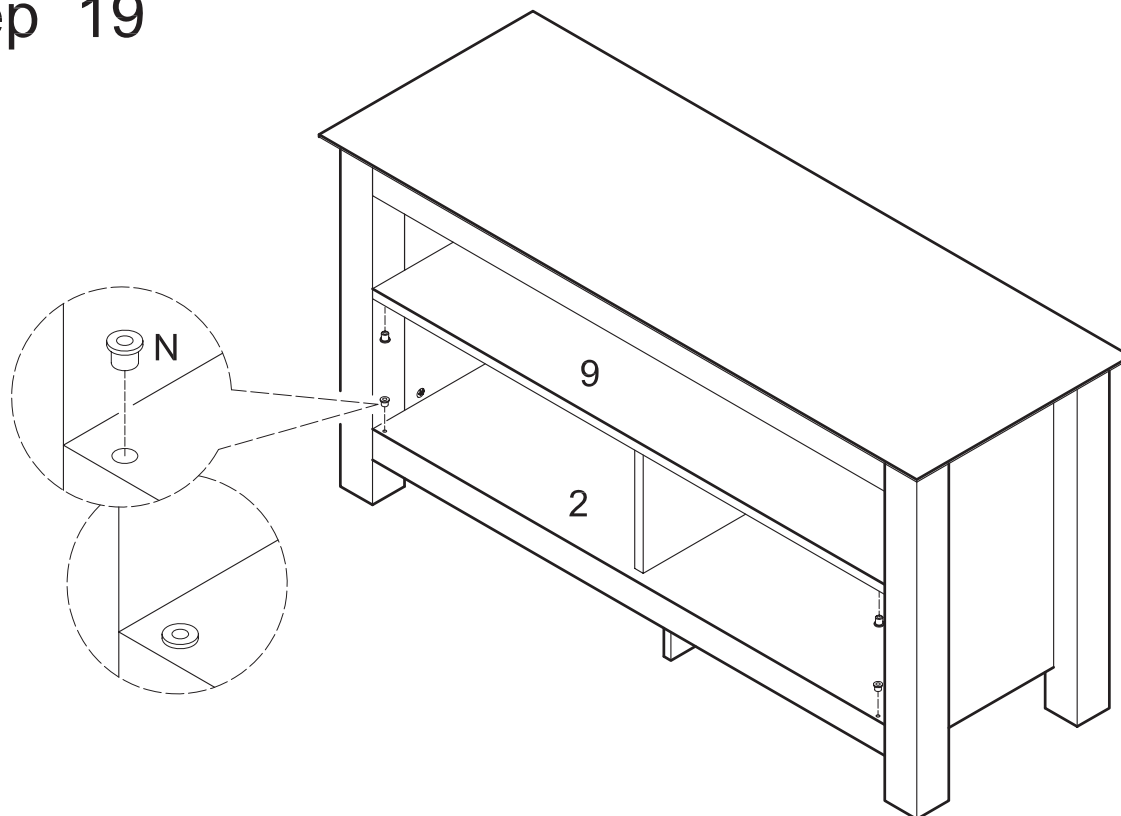
Attach handles (G) to doors (13,14) using short bolts (H). Attach door stopper plates (J) to doors (13,14) using small screws (K).

Step 18



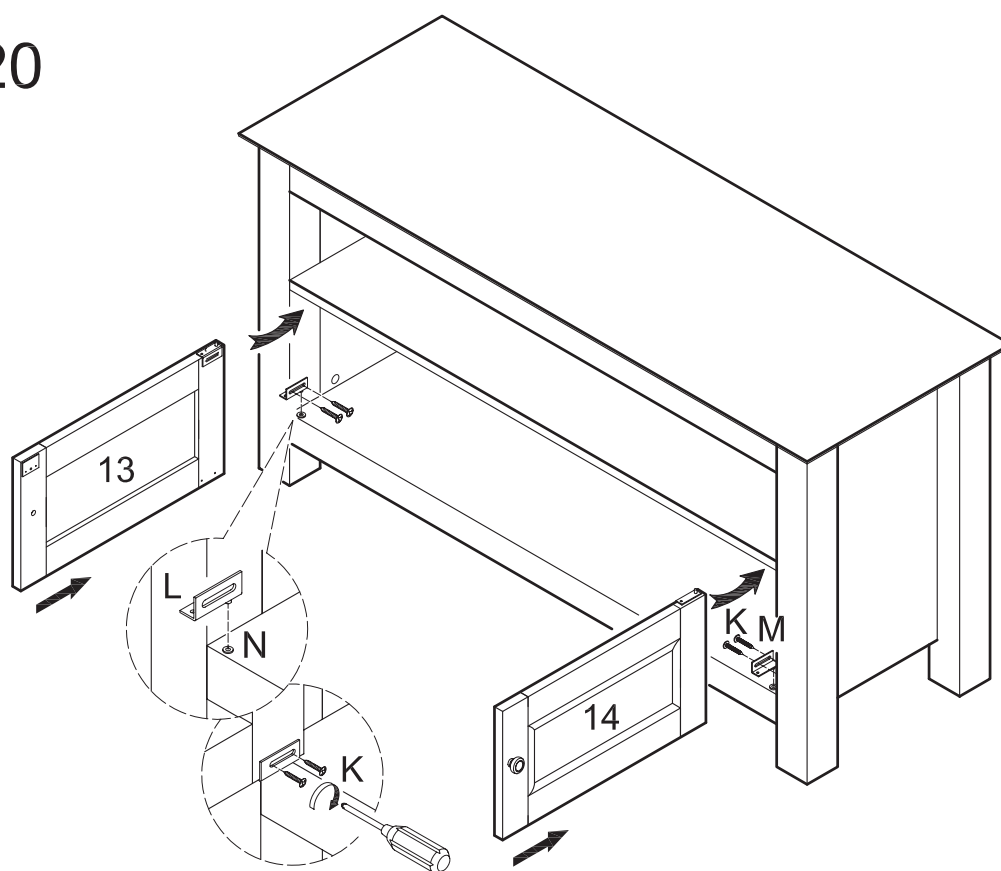
Attach door hinge (M) to door (13) using small screws (K). Attach door hinge (L) to door (14) using small screws (K).

Step 19



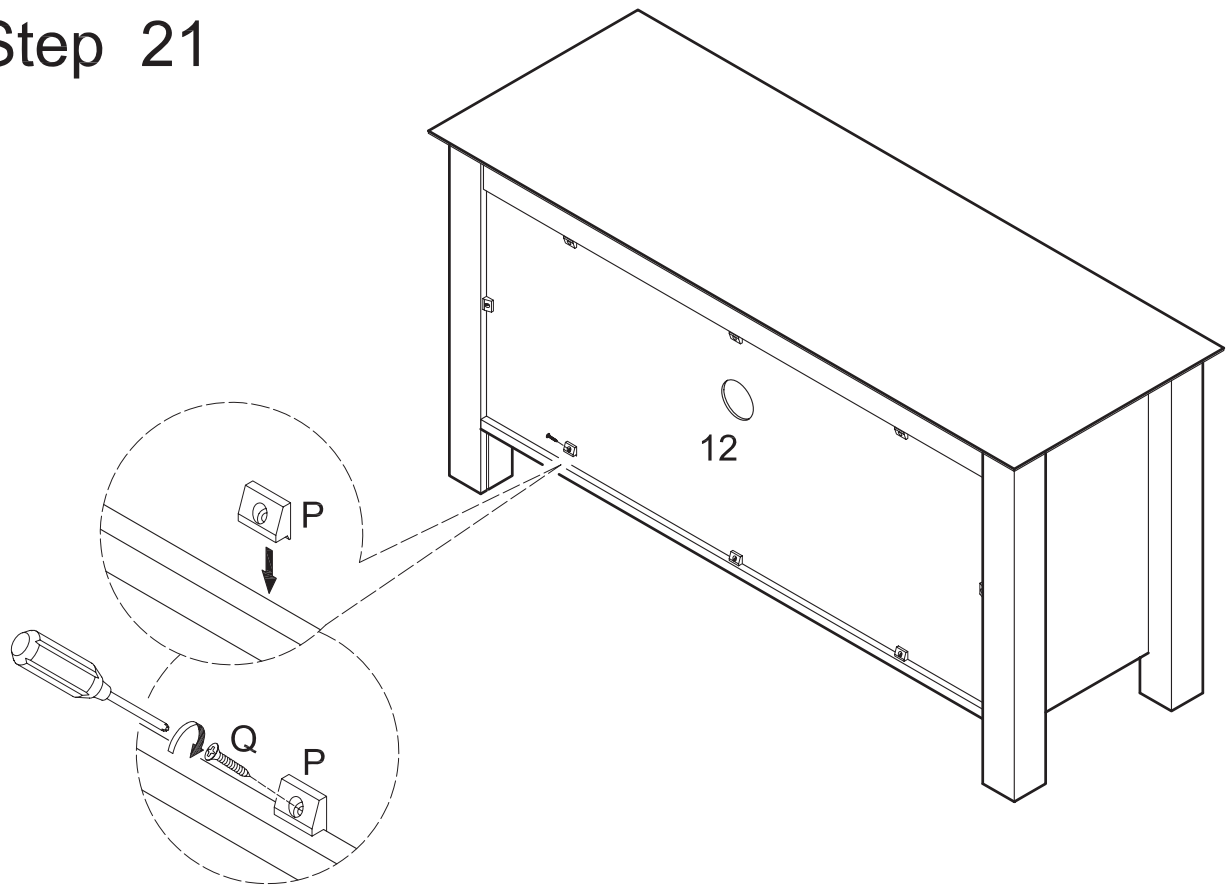
Insert plastic pivots (N) into panel (2) and shelf (9).

Step 20



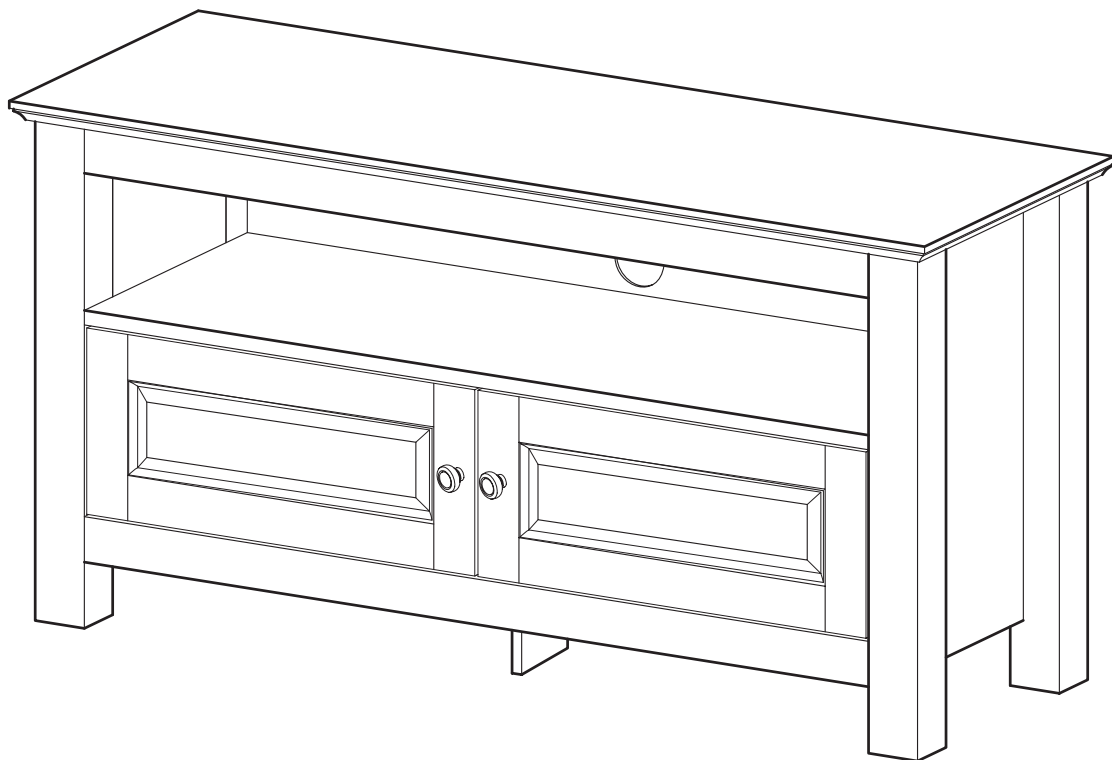
Insert door hinge (L) into left bottom plastic pivot (N). Slide door (13) into place. Attach door hinge (L) to door (13) using small screws (K). Insert door hinge (M) into right bottom plastic pivot (N). Slide door (14) into place. Attach door hinge (M) to door (14) using small screws (K).

Step 21



Secure back panel (12) to the frame assembly using plastic wedges (P) and large screws (Q).

Step 22



Final Assembly