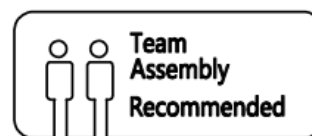
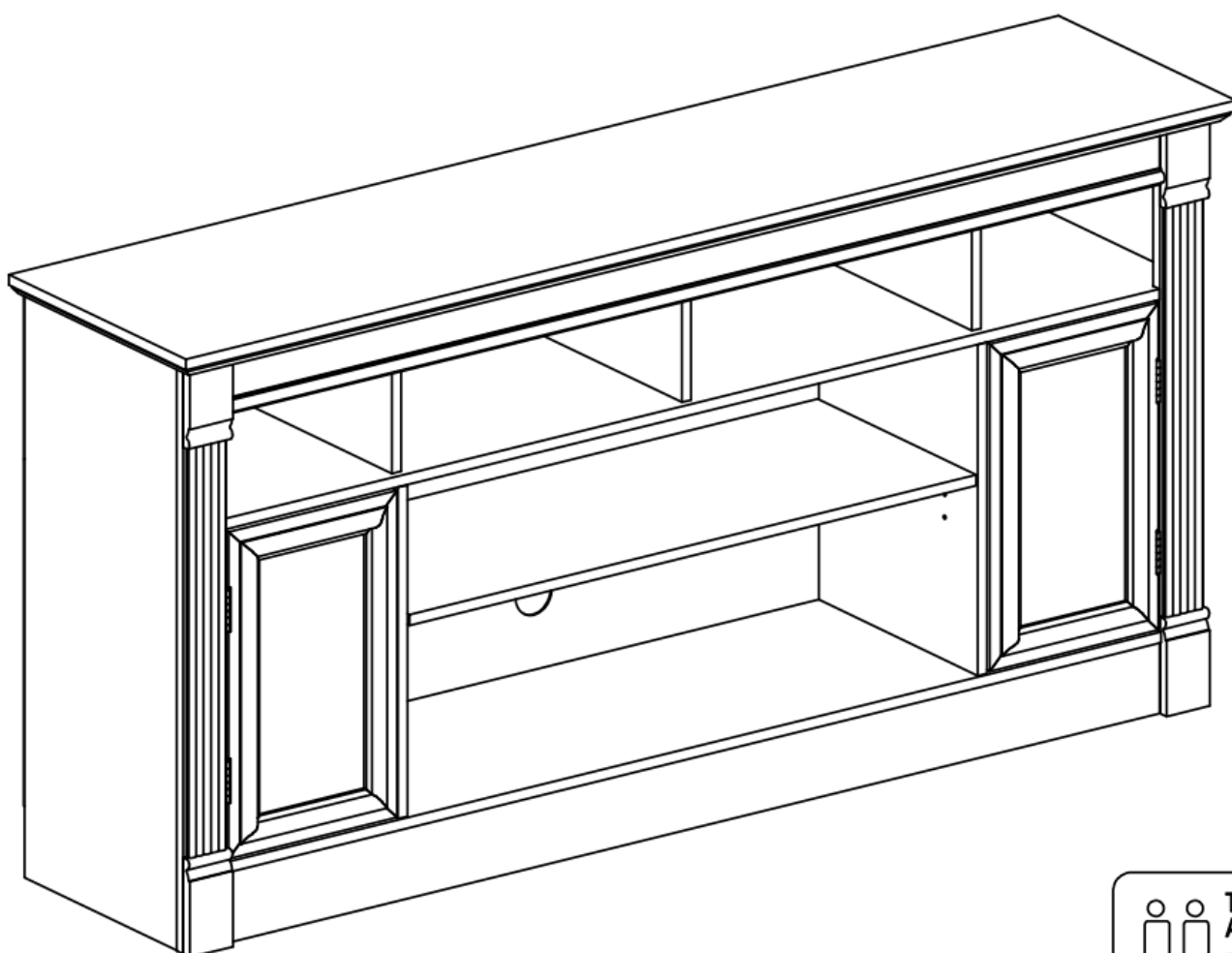


tv stand

Product ID. 7AE4C



Scan for Support
support@garvee.com



Distributed by
GARVEE.com

tv stand

Product ID. 7AE4C



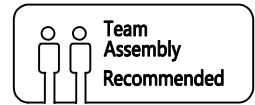
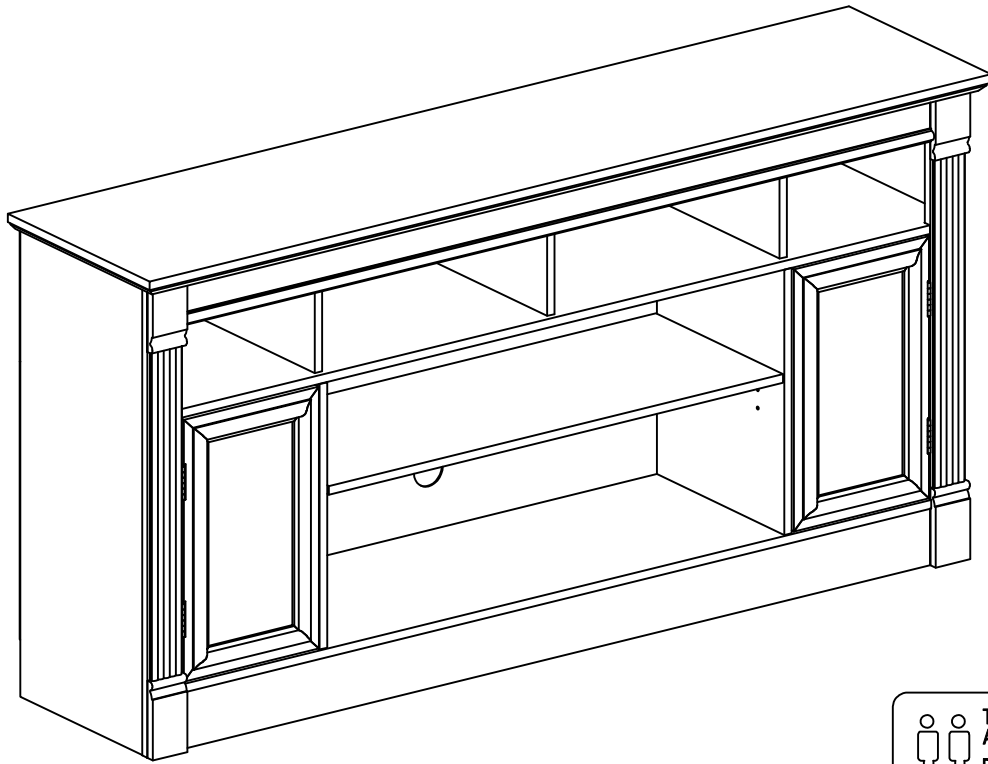
Scan for Support
support@garvee.com



Distributed by
GARVEE.com

V250929BQAW

68" Two Door TV Stand/ Fireplace Installation Manual



Trouble shooting:

Missing / Wrong / Broken parts and installation issues



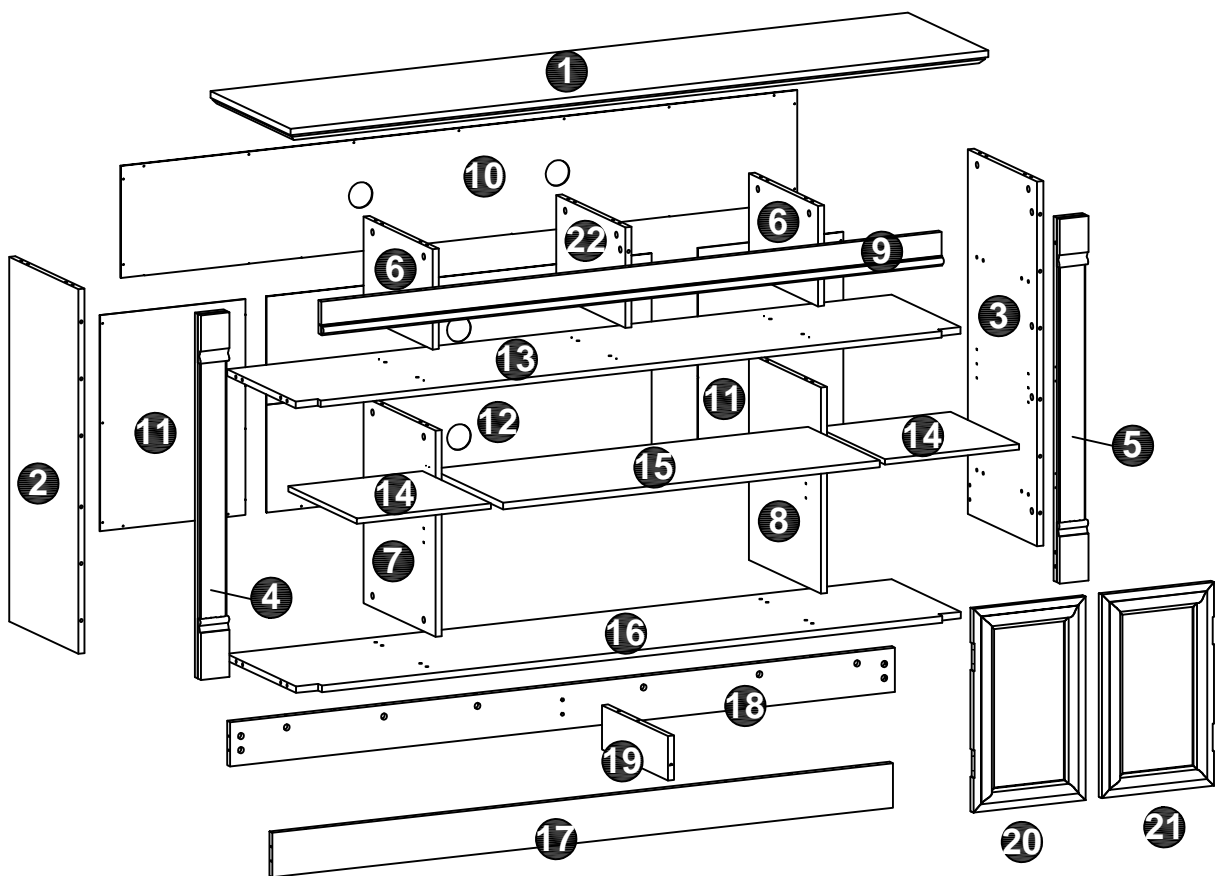
Send email with your question, pic and order NO. to support@garvee.com



Respond within 24 hours

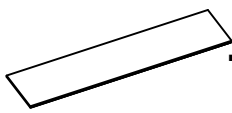
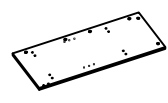
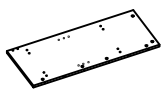


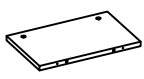
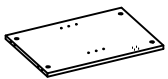
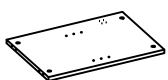

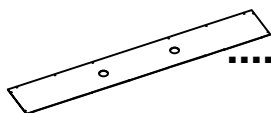

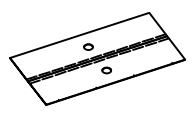
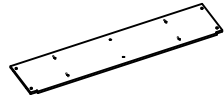




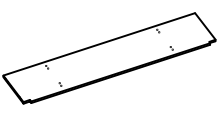

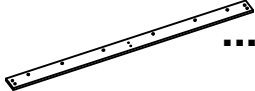



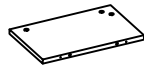
Issue resolved



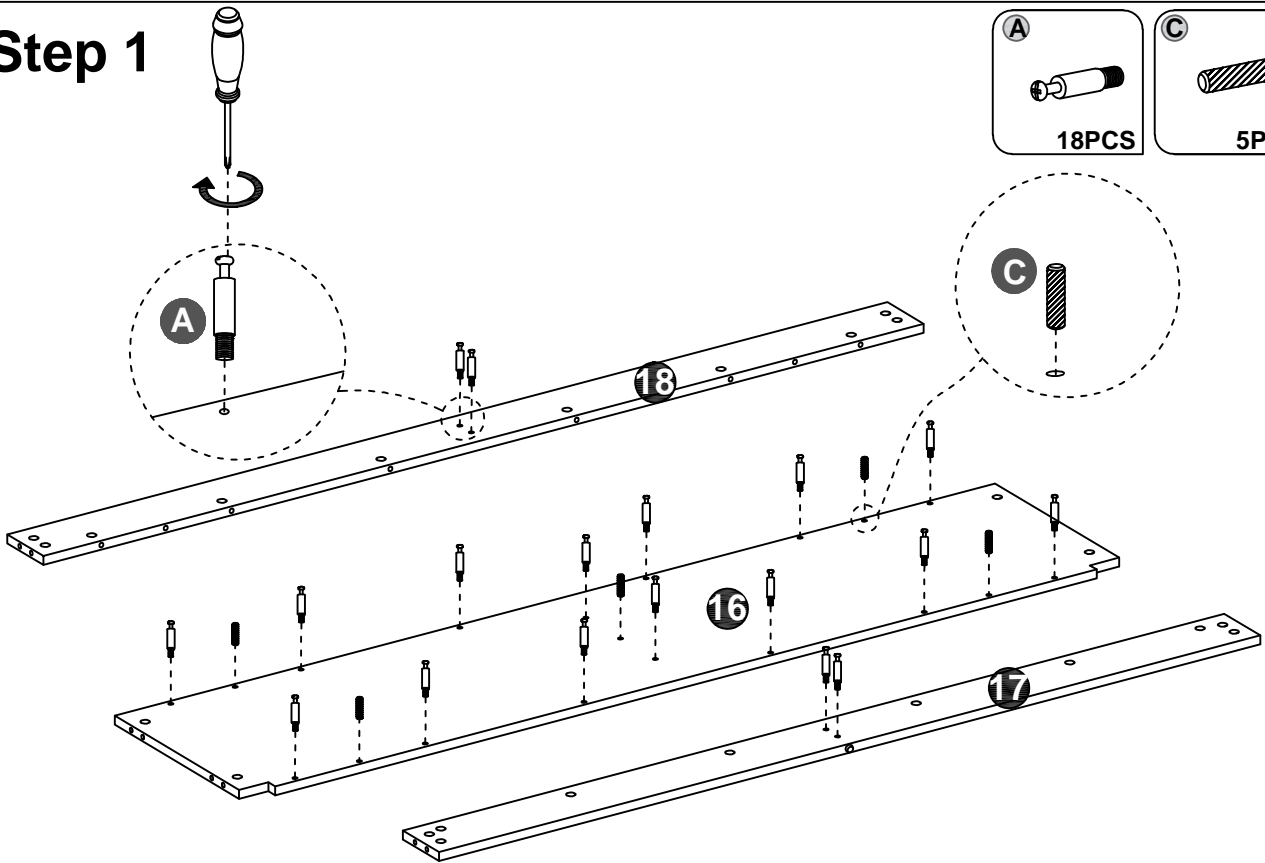
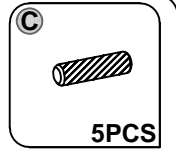
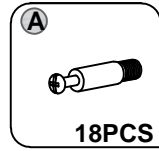
Note: Don't tighten all screws during installation.

Components

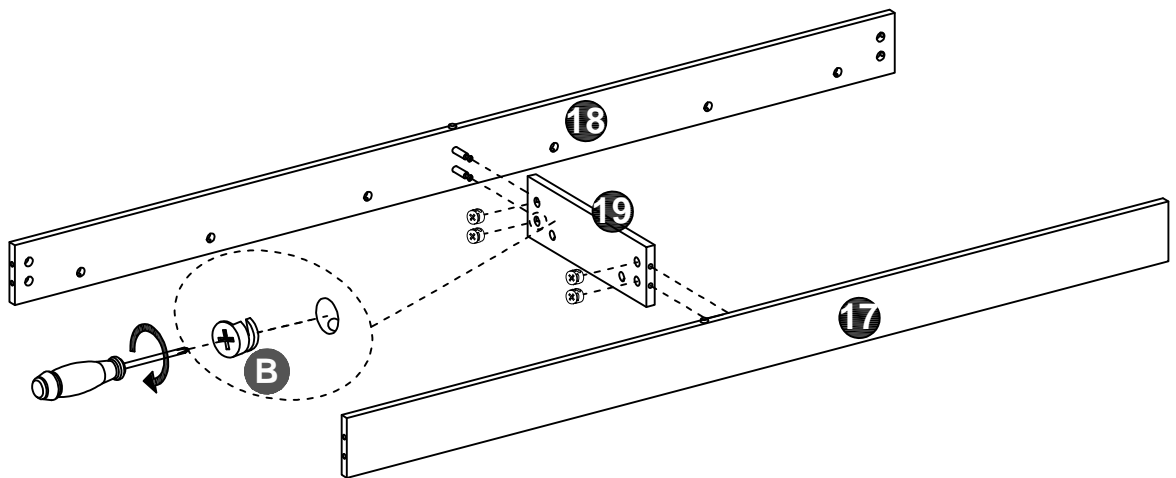
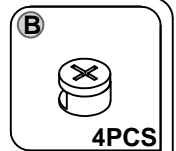
-  **1** x1
-  **2** x1
-  **3** x1
-  **4** x1
-  **5** x1
-  **6** x2
-  **7** x1
-  **8** x1
-  **9** x1
-  **10** x1
-  **11** x2
-  **12** x1
-  **13** x1
-  **14** x2
-  **15** x1

-  **16** x1
-  **17** x1
-  **18** x1
-  **19** x1
-  **20** x1
-  **21** x1
-  **22** x1

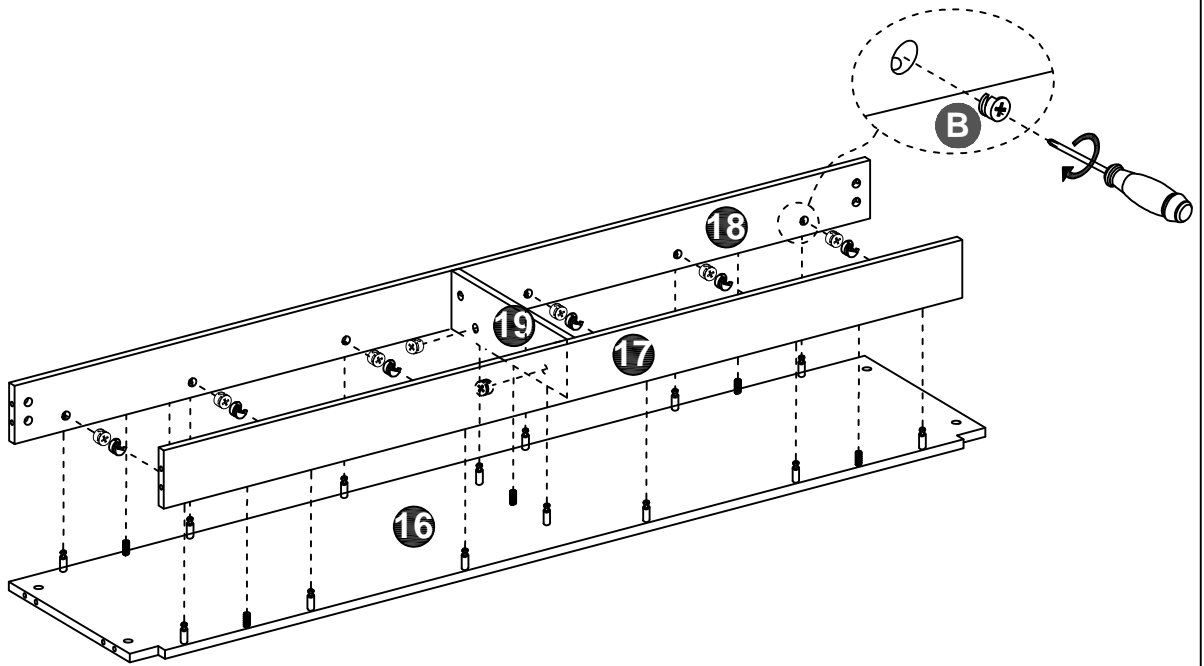
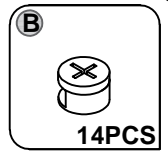
Step 1



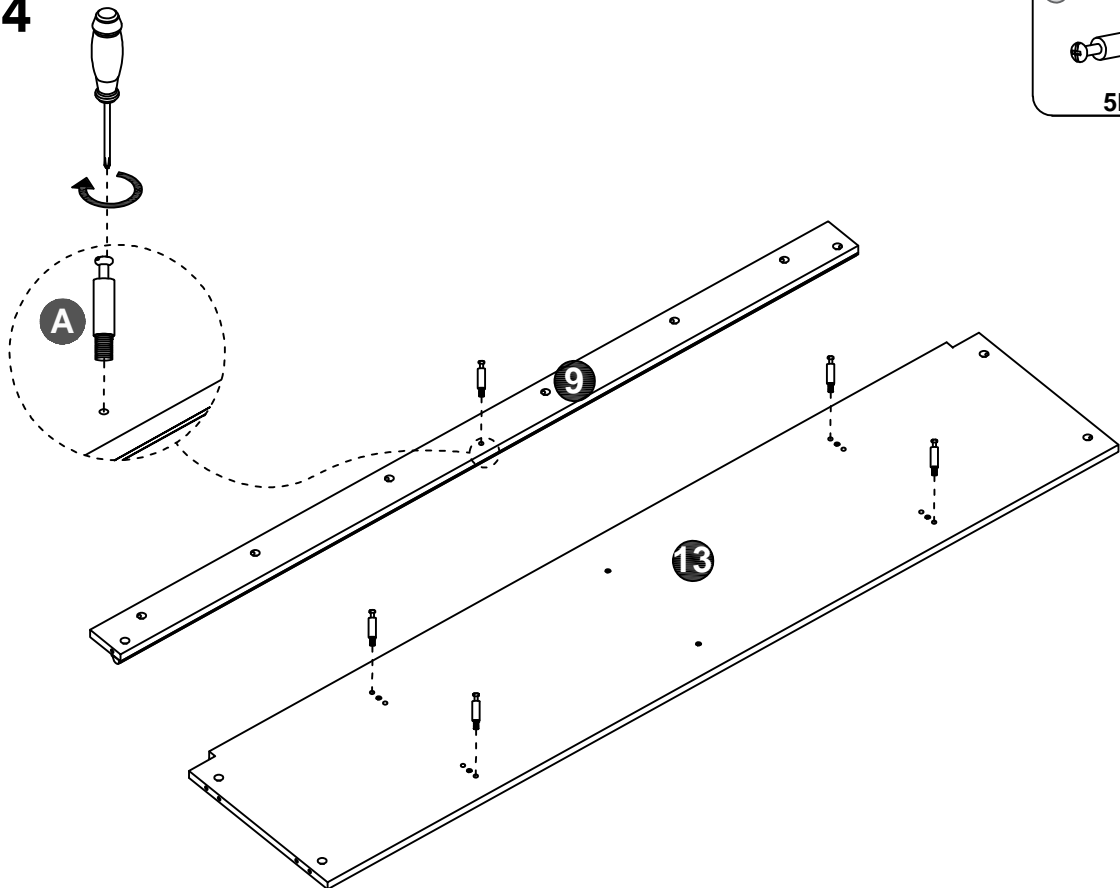
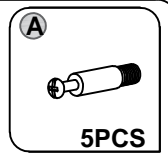
Step 2



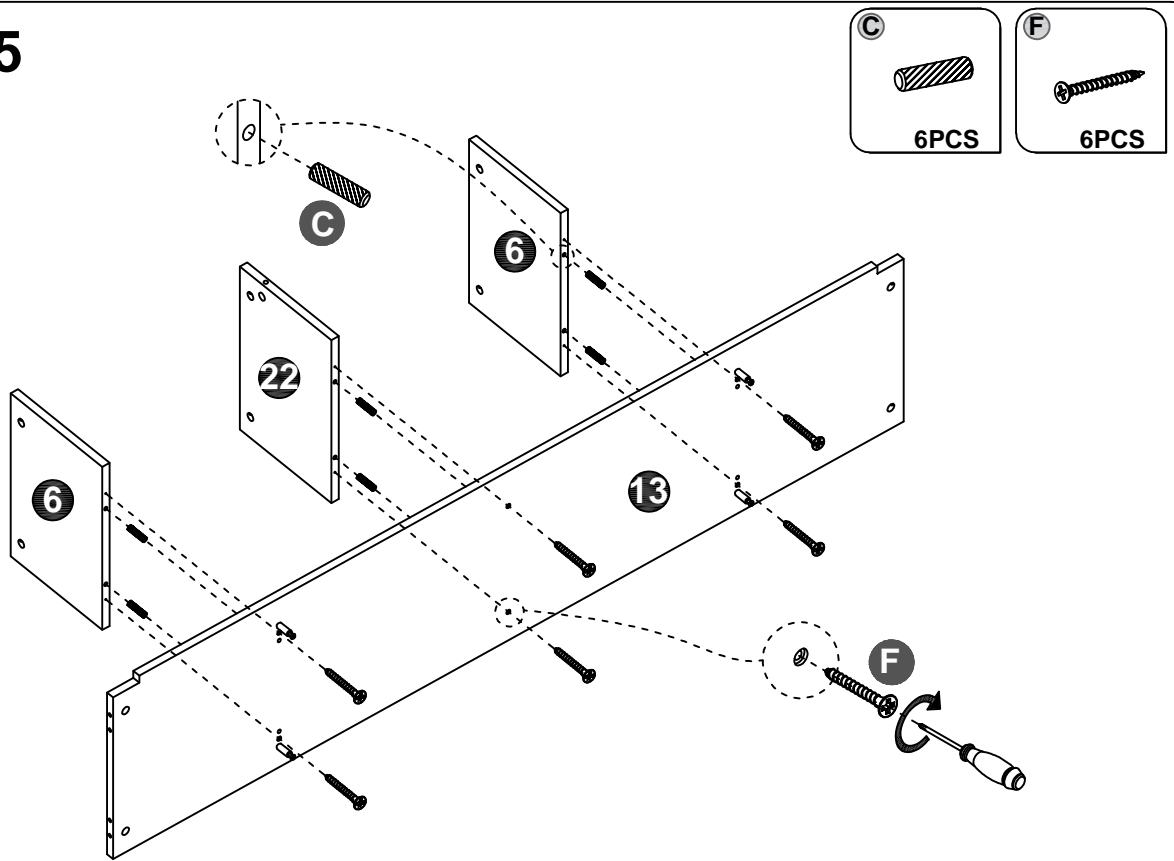
Step 3



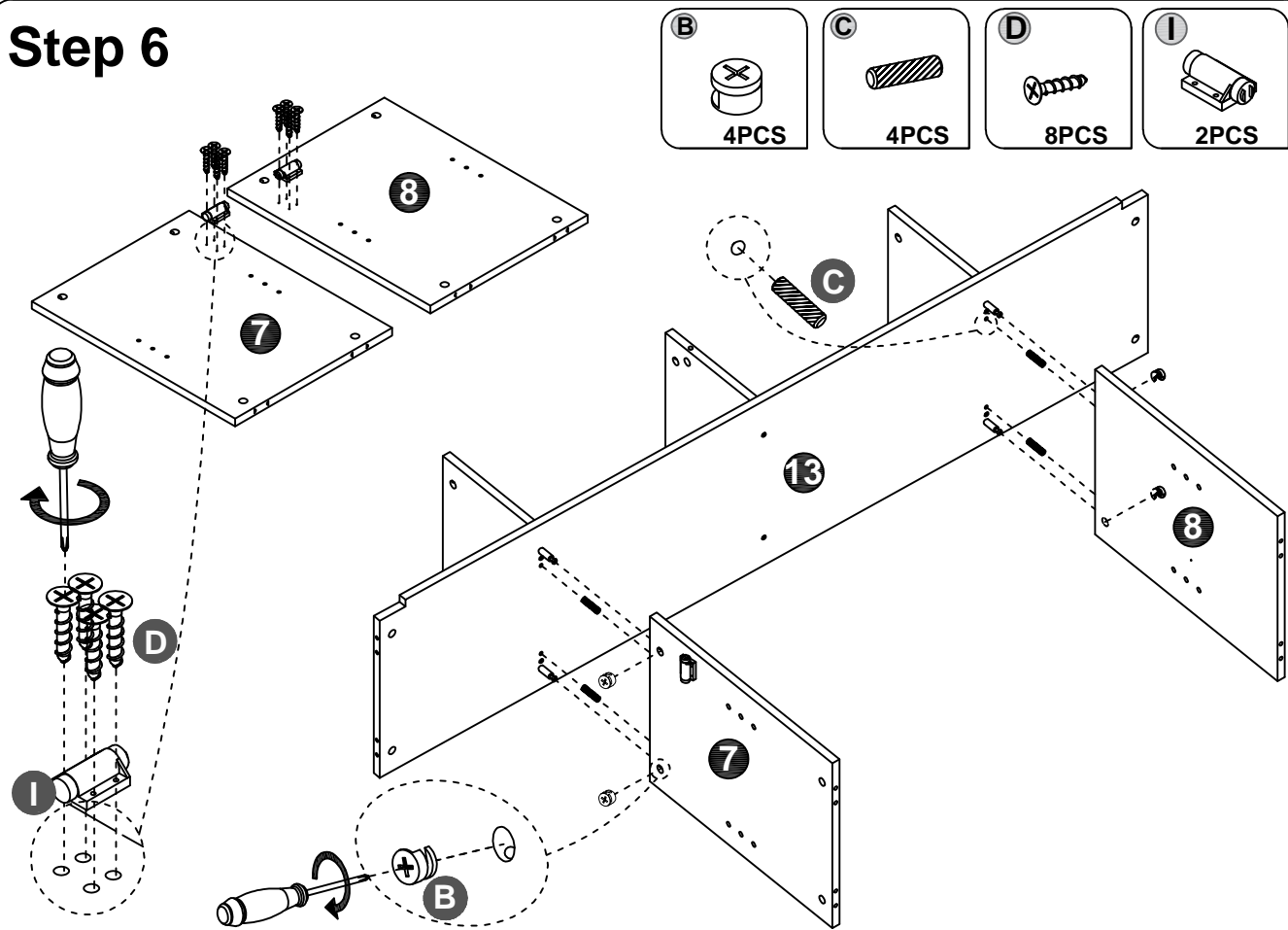
Step 4



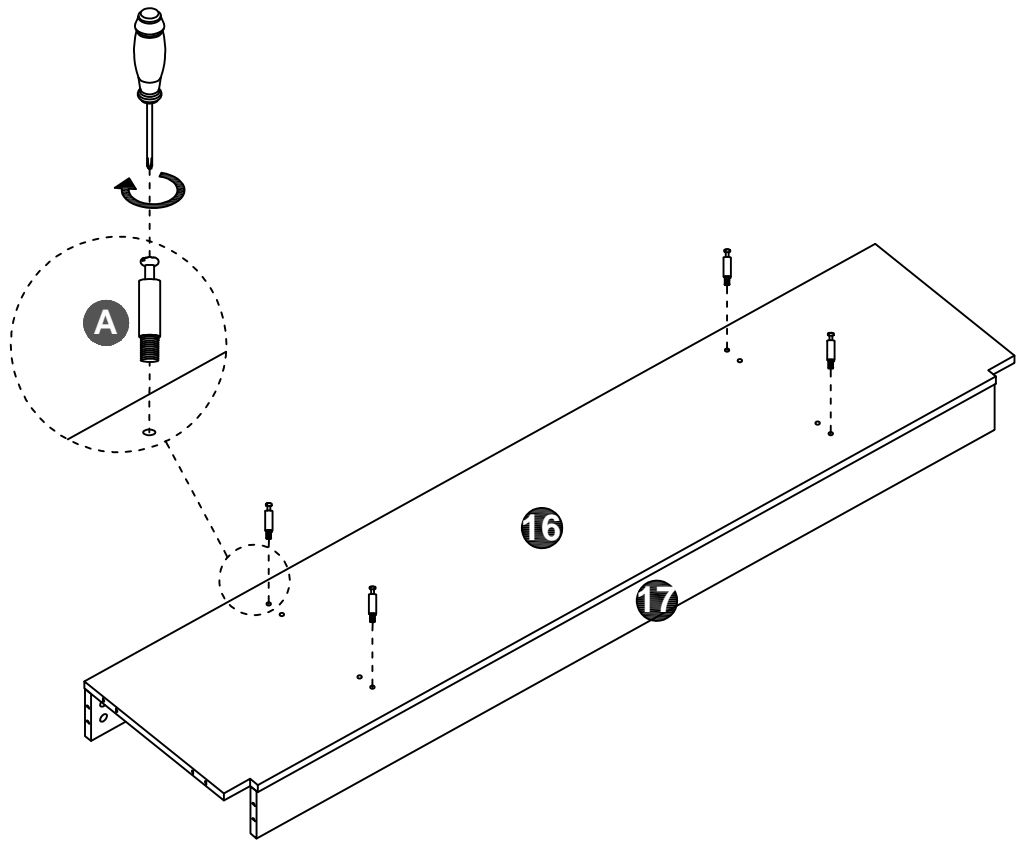
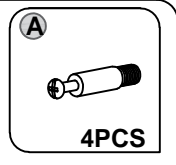
Step 5



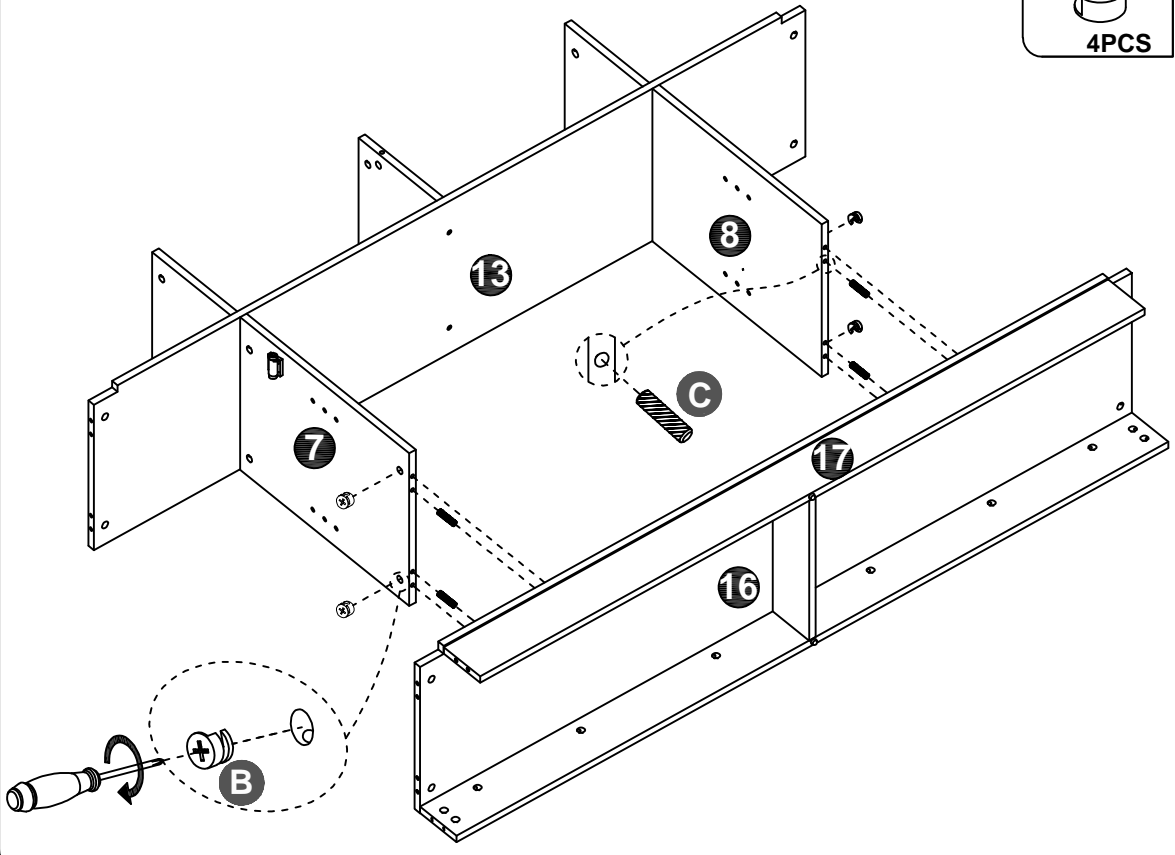
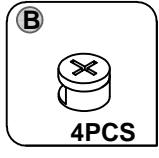
Step 6



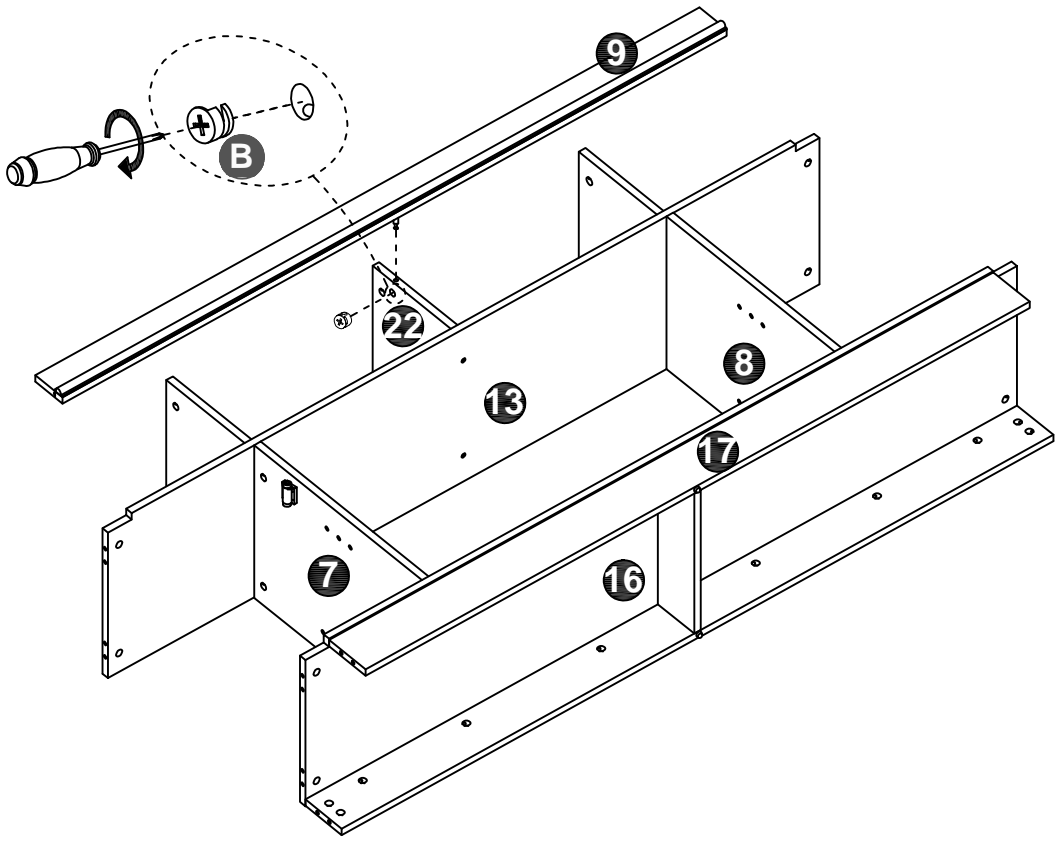
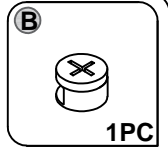
Step 7



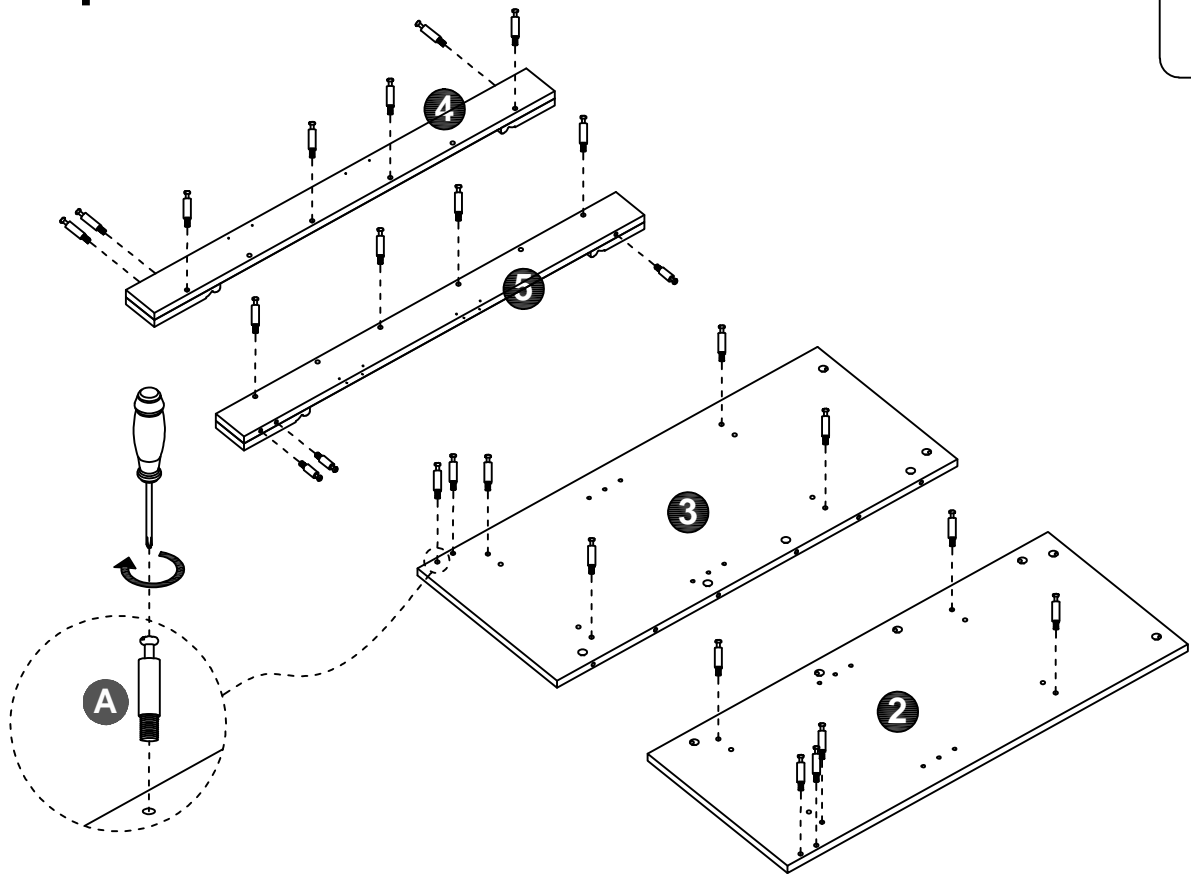
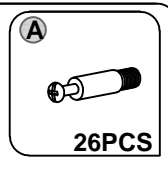
Step 8



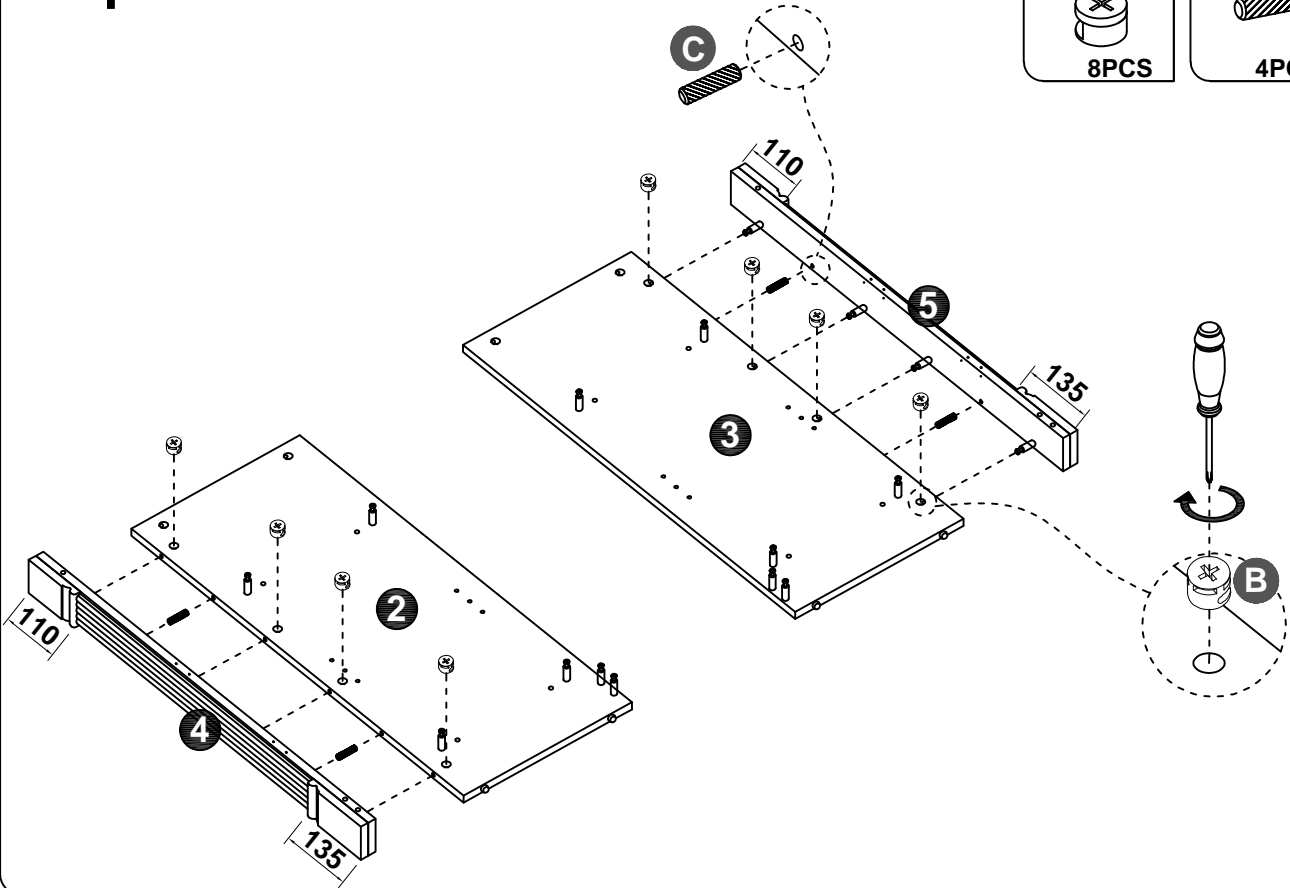
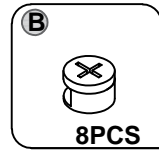
Step 9



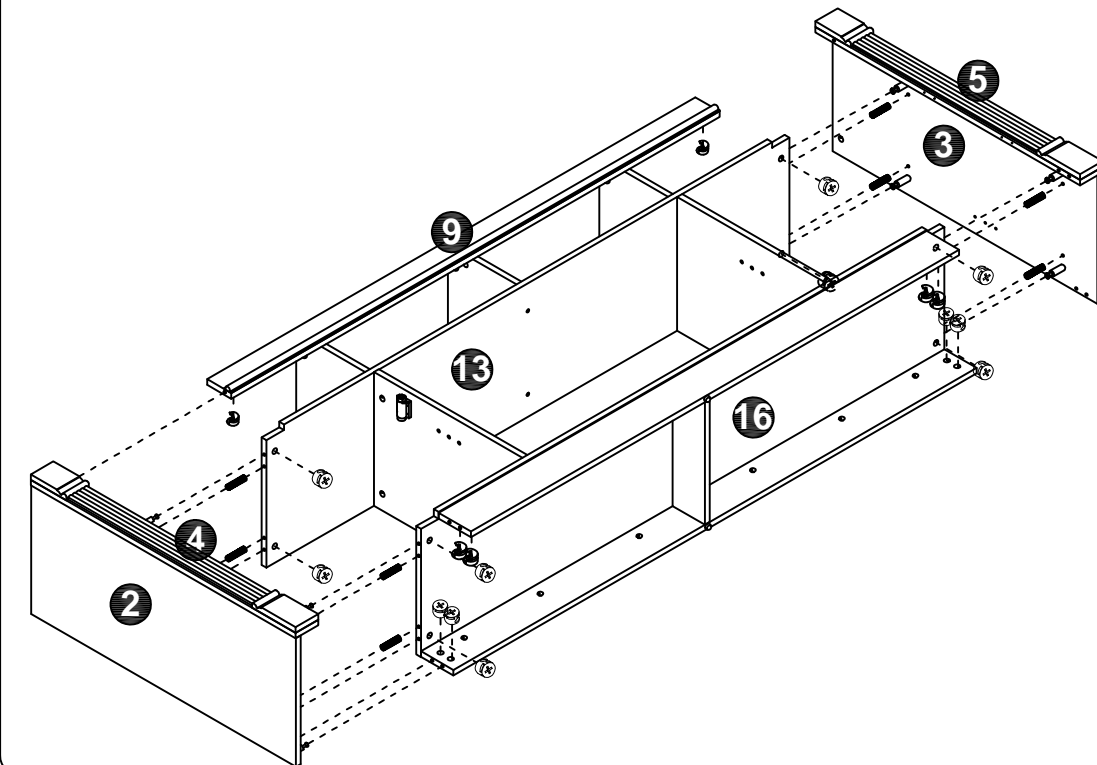
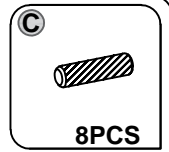
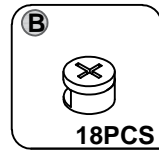
Step 10




Step 11

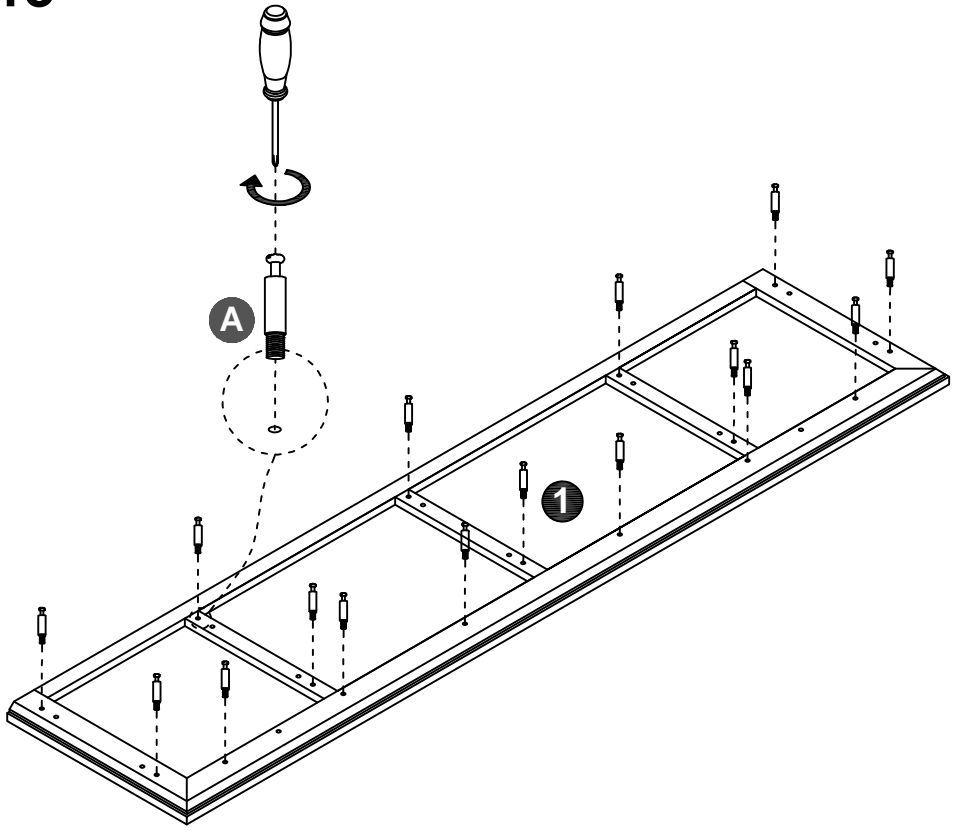


Step 12





Step 13

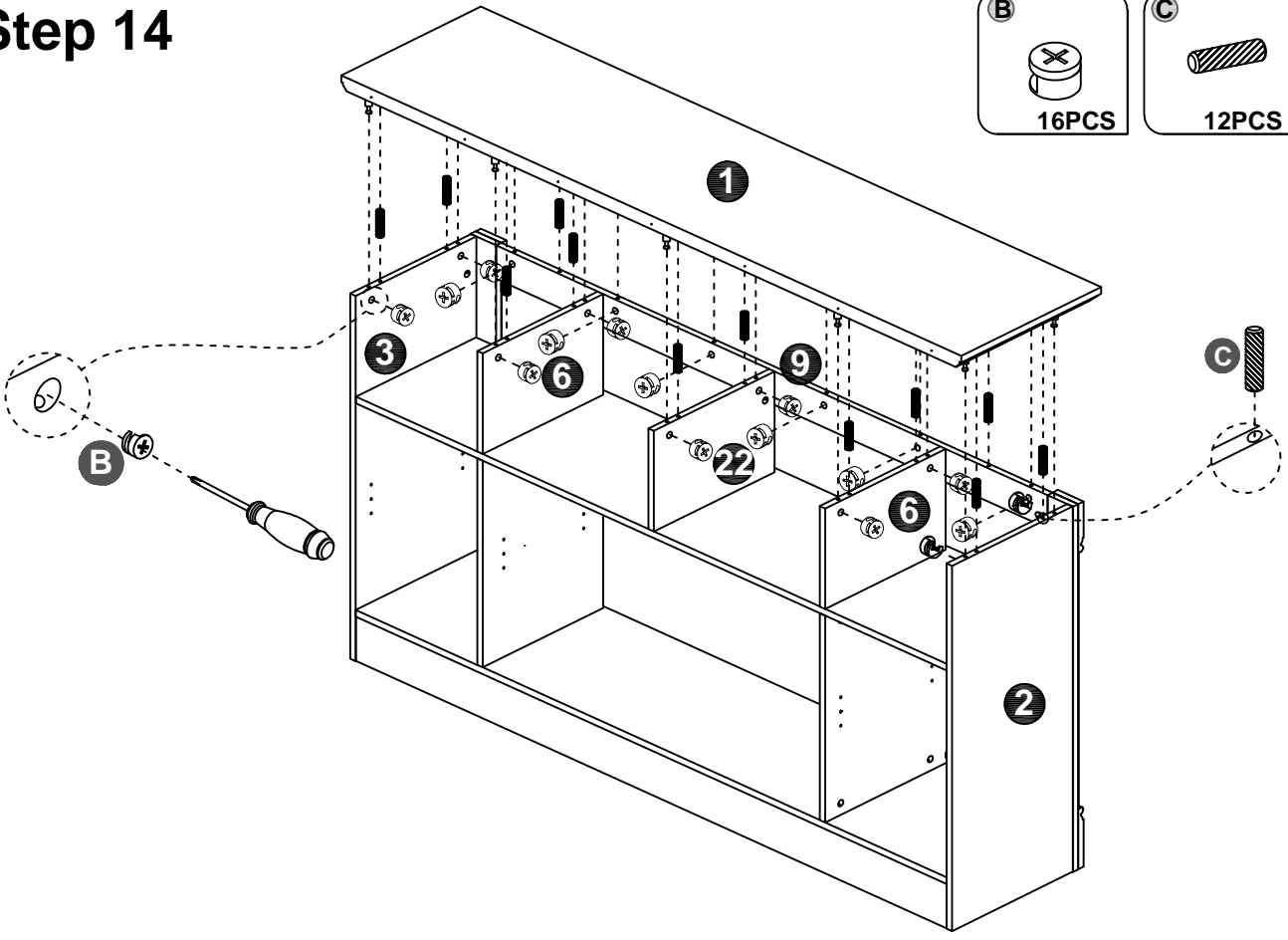
A

16PCS



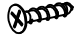
Step 14


B

16PCS

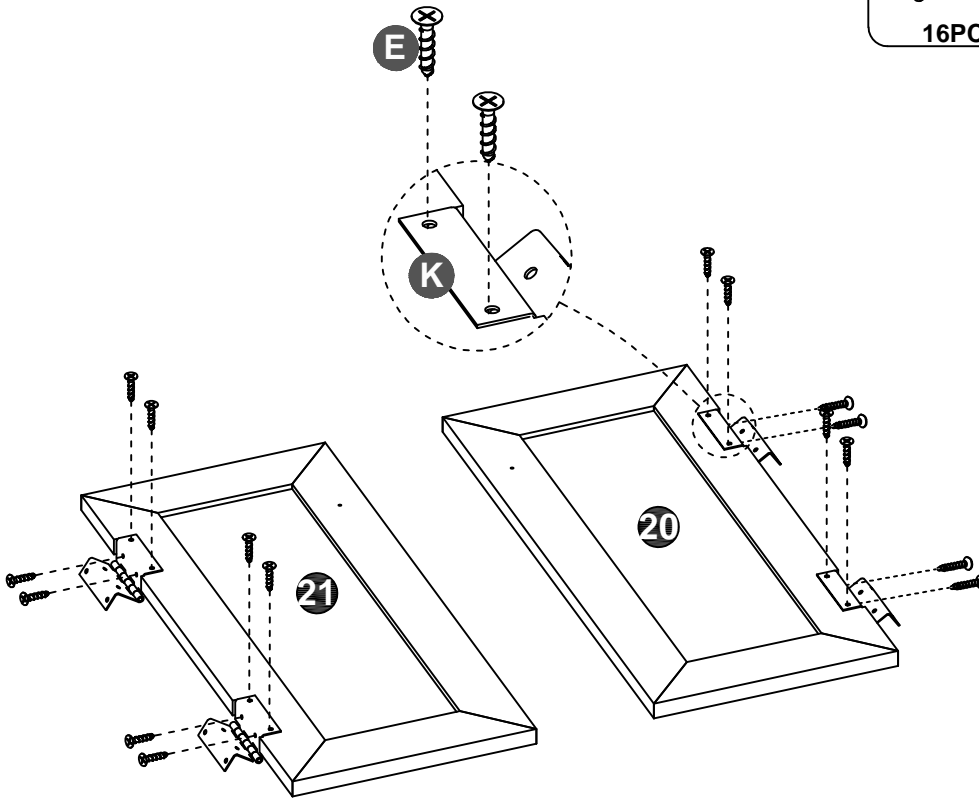
C

12PCS




Step 15

E

16PCS

K

4PCS

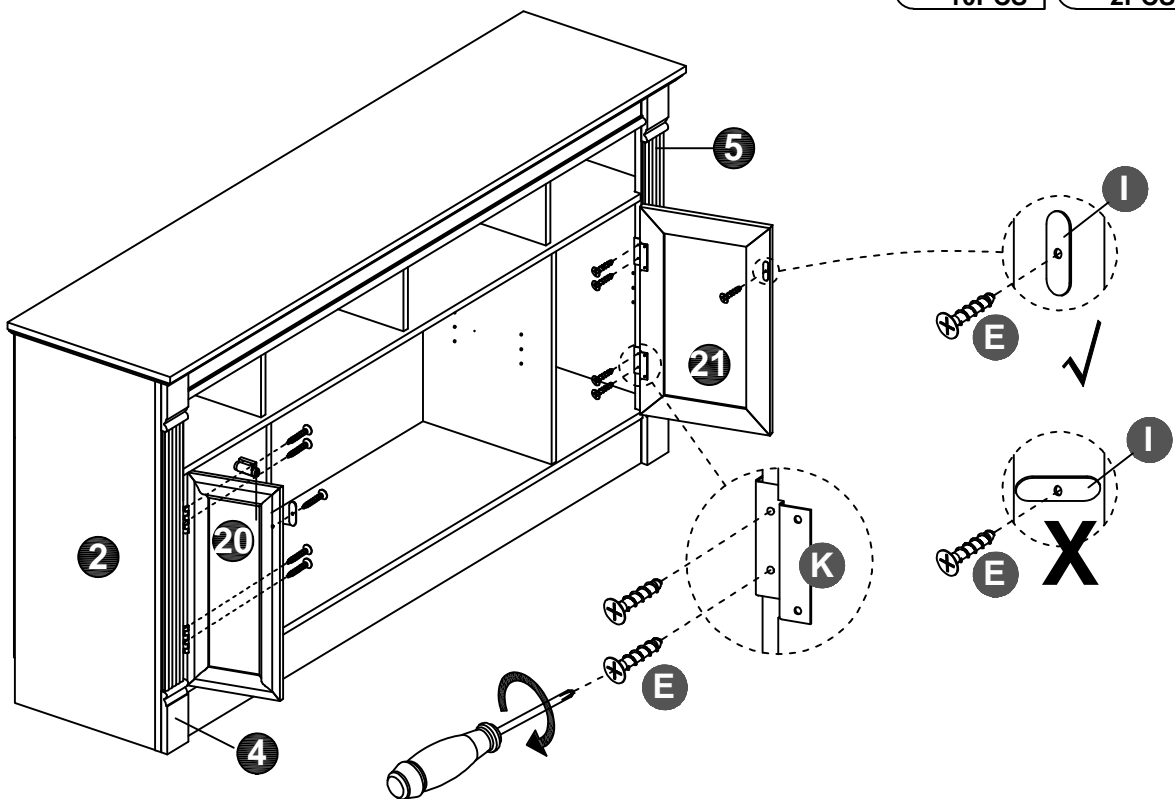


Step 16


E

10PCS

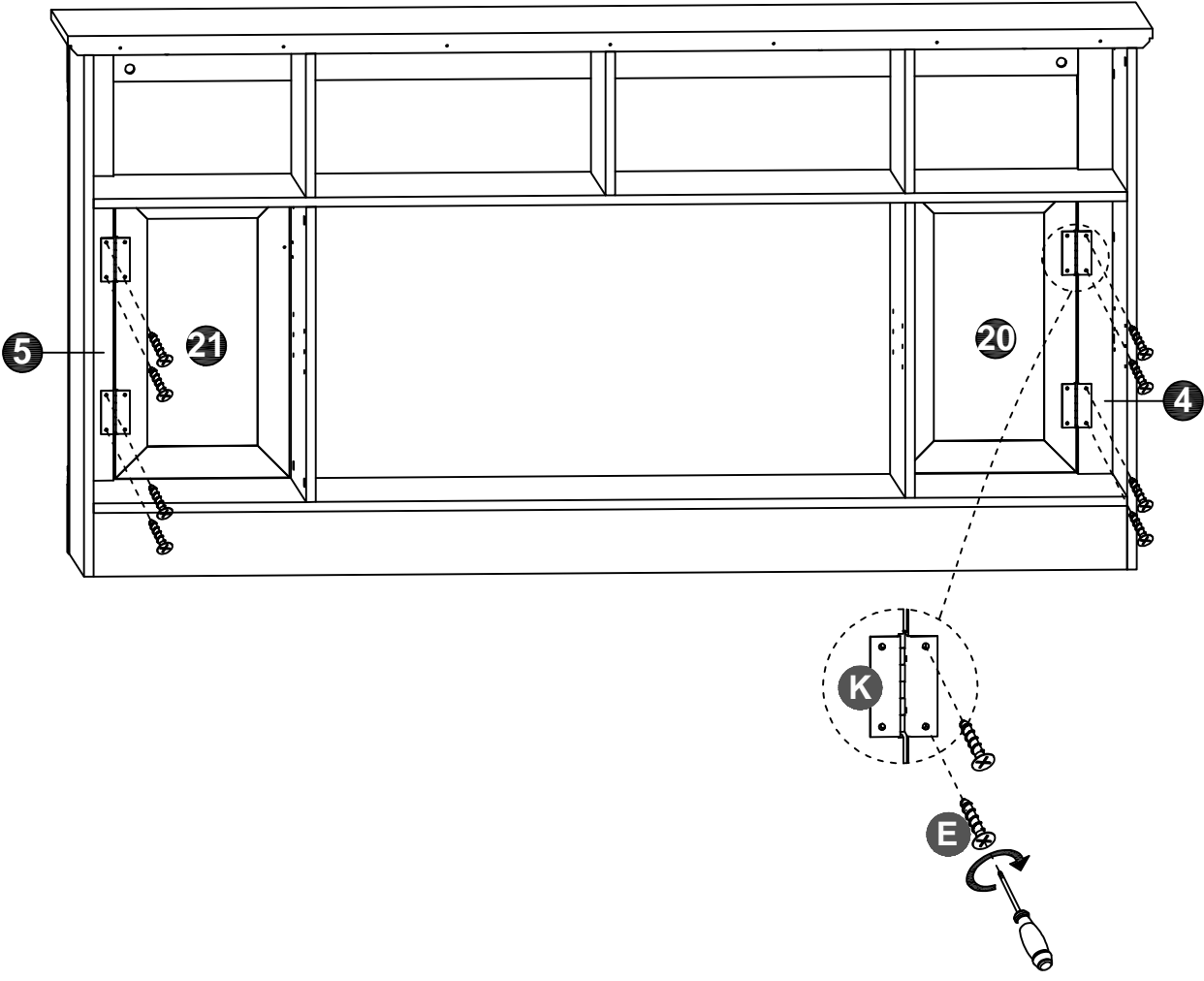
I

2PCS

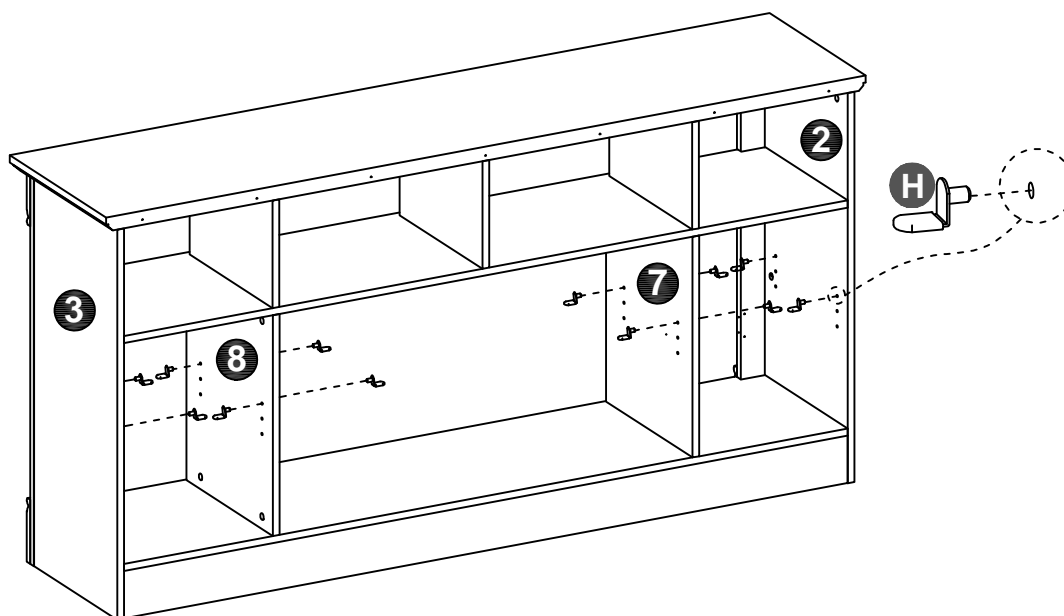
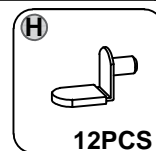


Step 17

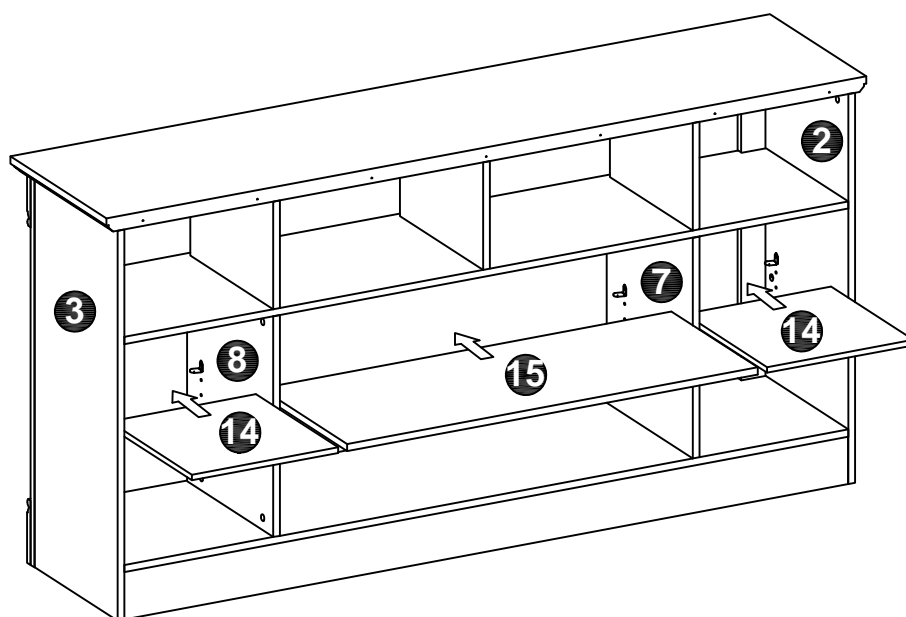
E

8PCS



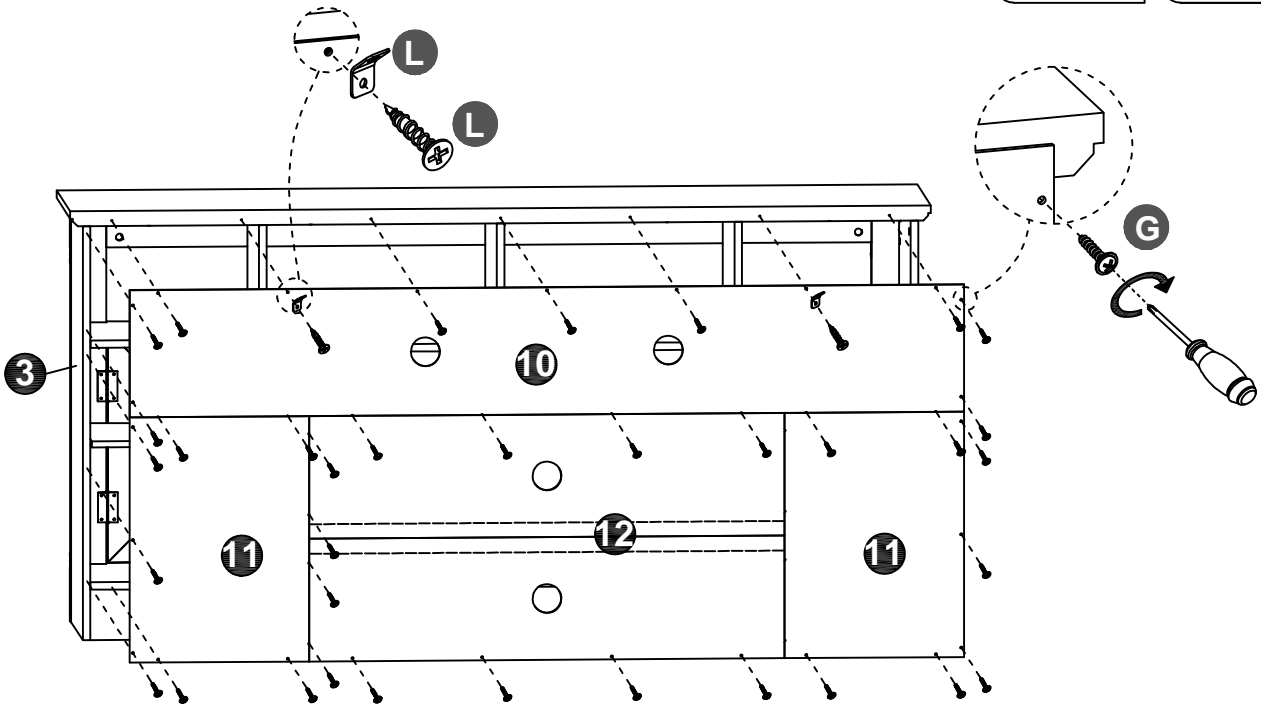
Step 18



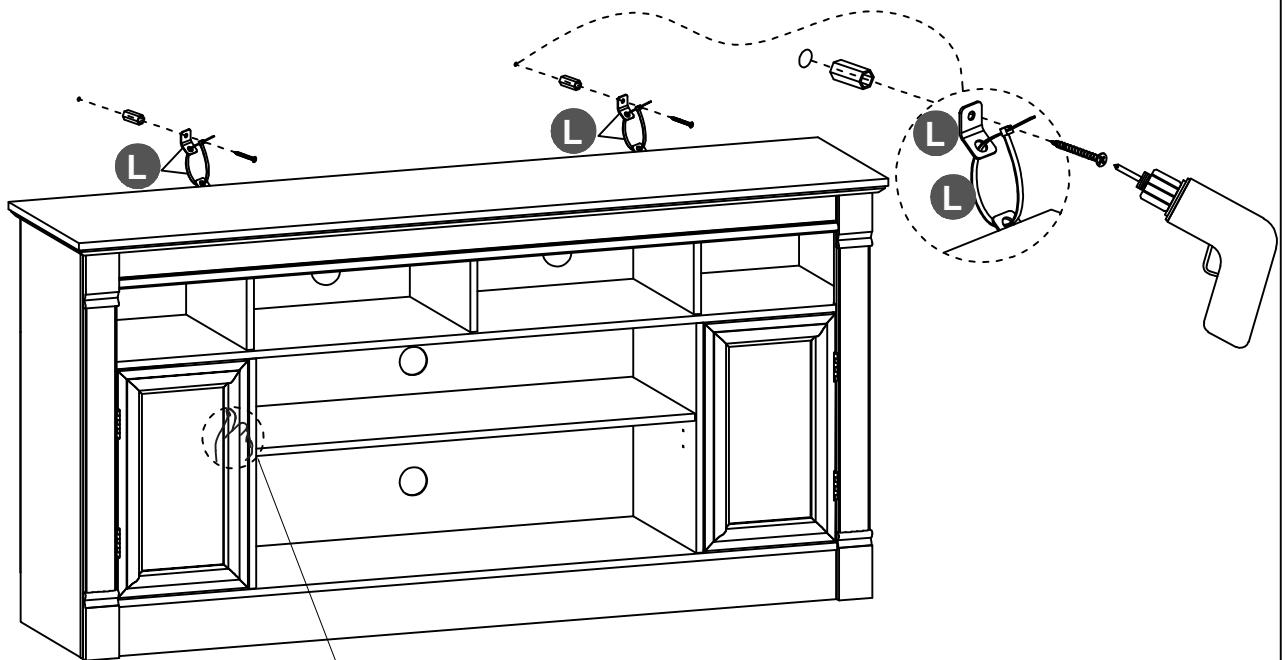
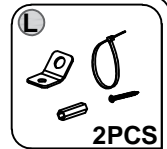
Step 19



Step 20



Step 21



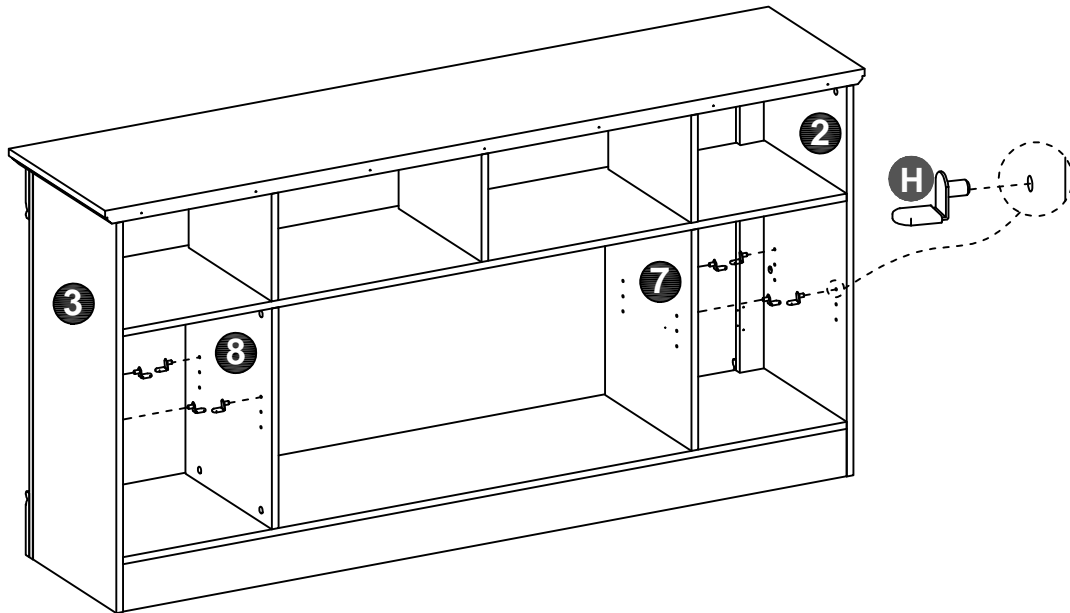
NOTE: Press and release, and door will spring open.

If you intended to use this product as a TV stand, continue the assembly instruction on page 14.

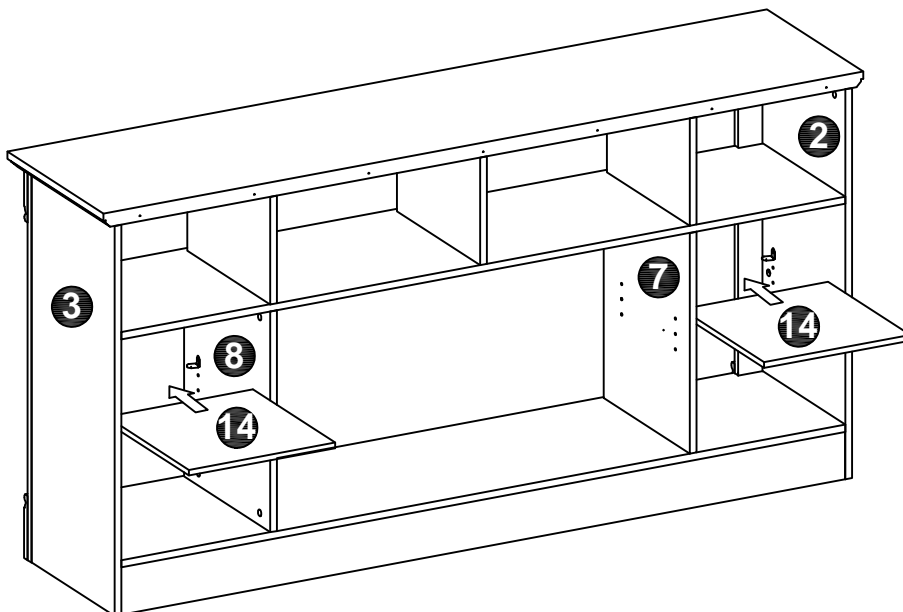
If you intended to use this product as a fireplace mantel, continue the assembly instruction on page 16.

TV STAND ASSEMBLY

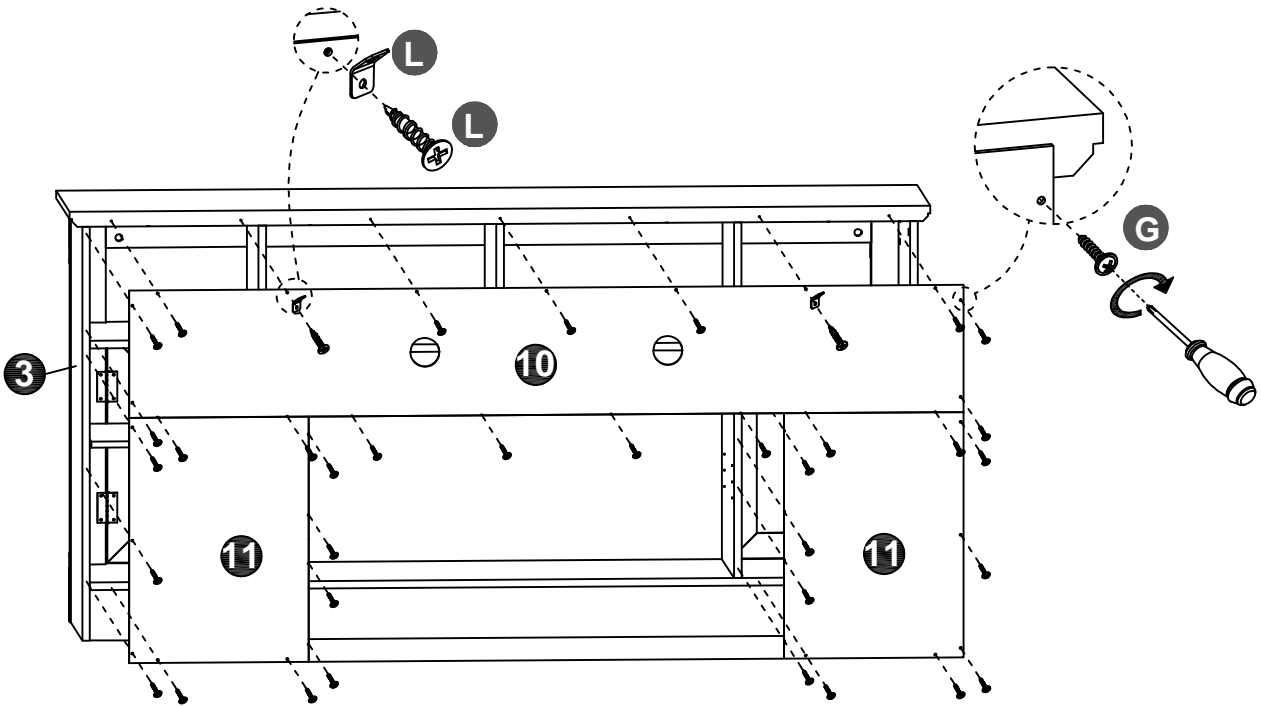
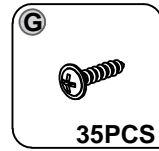
Step 18



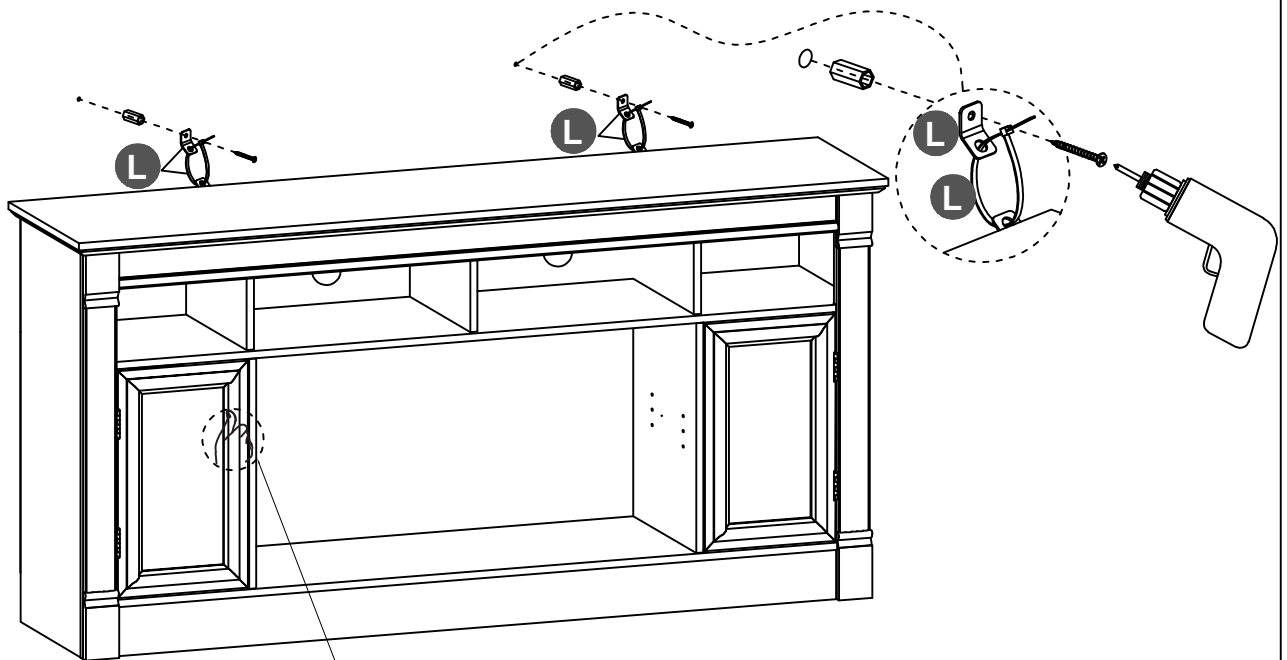
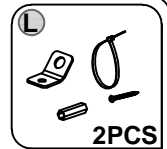
Step 19



Step 20



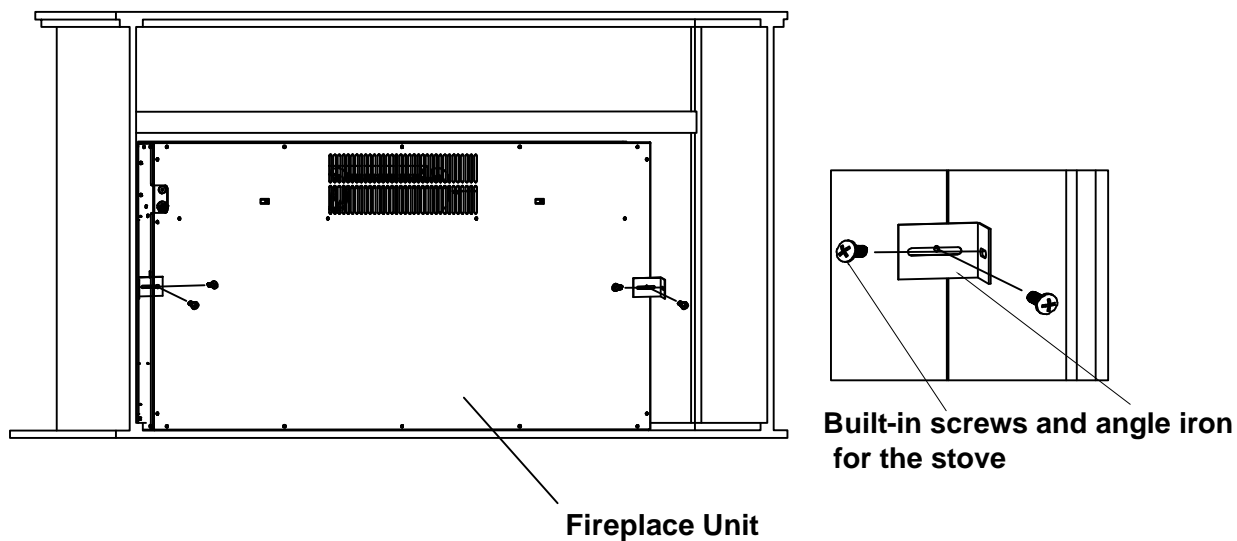
Step 21



NOTE: Press and release, and door will spring open.

Step 22

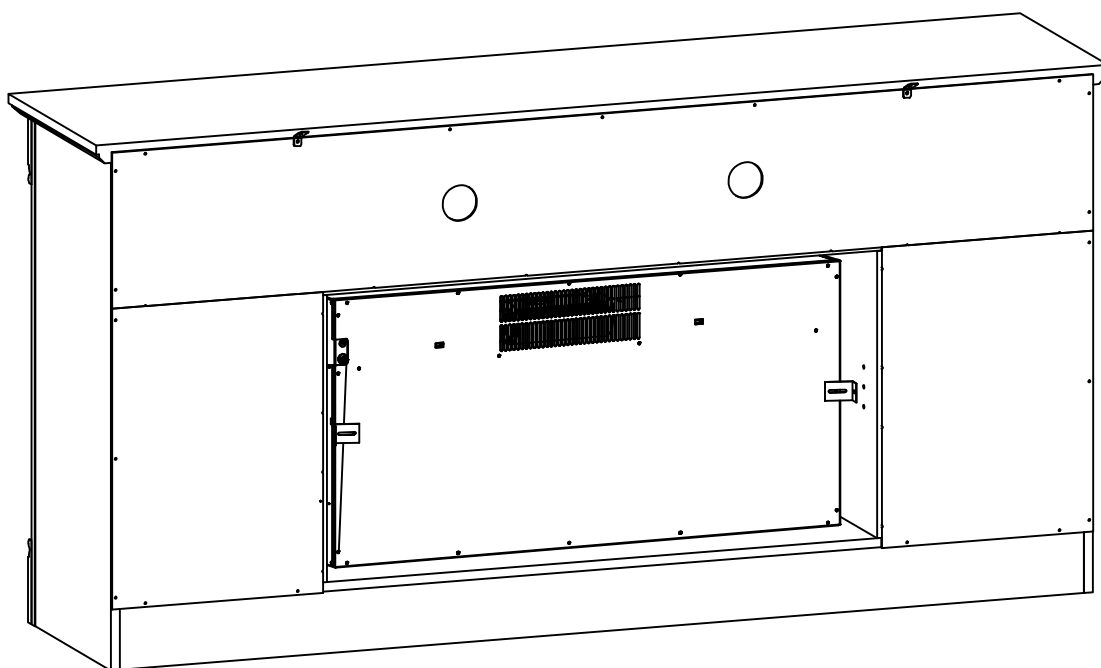
NOTE: Install according to the stove manual(36" Insert Fireplace Heater)



Carefully set the unit from the back of the mantel and center it in the opening.

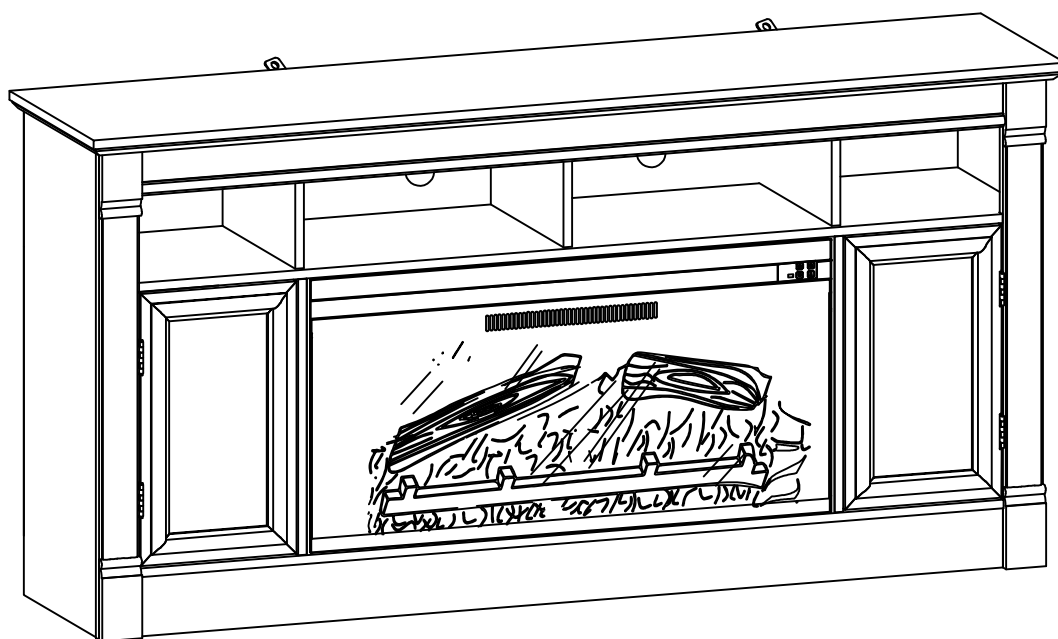
Check the alignment and attach the unit to the mantel by inserting screws through the drilled holes on the angle iron to the mantel.

NOTE: Do not attempt to install the unit from the front of the mantel. It will not fit.



Step 23

Finally, you got a 68" Two Door TV Stand/ Fireplace!



IMPORTANT SAFETY INFORMATION

Please carefully read the instructions and caution warnings below before assembling the product. Following this guide will ensure that you install, use and maintain the product properly.

- Please keep this installation and user manual/instructions for future reference in case you need to assemble the product.
- Do not assemble if you notice serious damage such as cracks or bends.
- During installation, please use work gloves for hand safety.
- Please assemble the unit on carpeted floor or the flat cardboard box to avoid scratching the surface or your floor while assembling on the floor.
- To assemble, please use the complimentary installation tools (Allen Wrench). Pay more attention to the direction of components at each steps.
- It is recommended that two people work together to assemble the product.
- Please do not tighten the screws up too much, just to 80% before you finish to make the installation go on successfully.

RETURN POLICY

We believe you will absolutely love your new product. But for some reason you want to return your item, please contact us within 30 days after receiving and ensure that the product which you want to return is in a good condition in the original box with all original certificates of purchase, manuals and accessories attached.

HOW TO MAINTAIN YOUR PRODUCT:

- Check the screws of the product are not loose from regular use.
- Do not use sharp instruments, rubbing alcohol, corrosive chemicals, or abrasive cleaners to clean the product.
- Do not keep the product in a damp environment for a long period of time. The damp environment may cause the iron components to rust and the plates to bulge and crack.

CAUTIONS!

How to find us?

Customer Service

Email: support@garvee.com

GARVEE
support@garvee.com