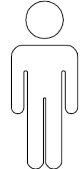
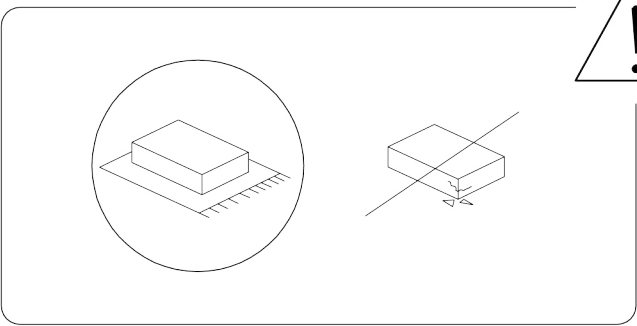


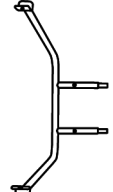
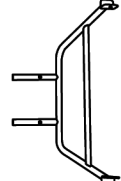
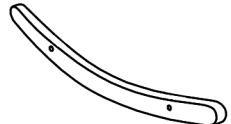
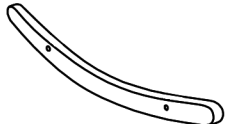
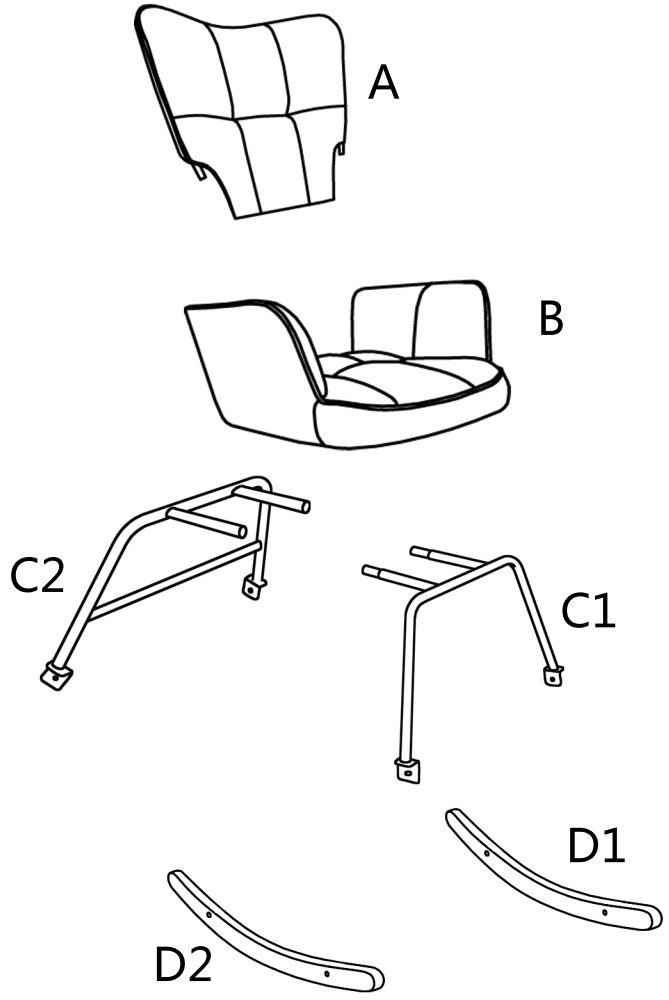



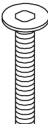


30'





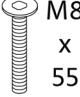


1

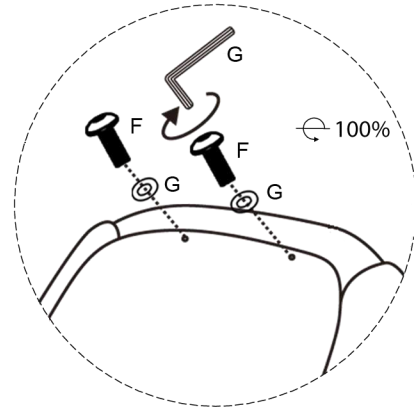
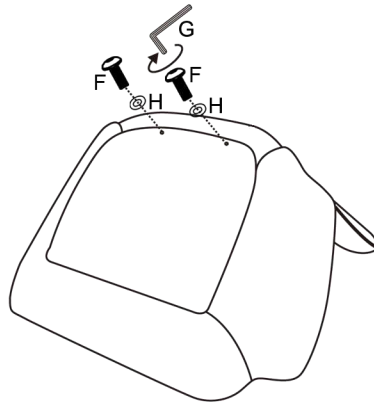
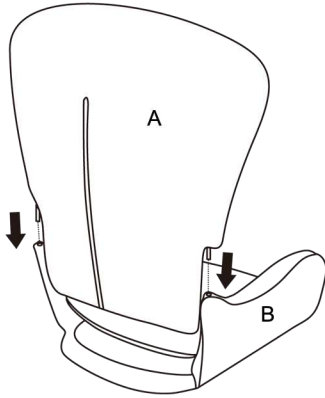
<p>A</p>  <p>x 1</p>	<p>B</p>  <p>x 1</p>	<p>C1</p>  <p>x 1</p>	<p>C2</p>  <p>x 1</p>	<p>D1</p>  <p>x 1</p>	<p>D2</p>  <p>x 1</p>
--	---	--	--	--	--







<p>E</p>  <p>M6 x 30</p> <p>x 8</p>	<p>F</p>  <p>M8 x 55</p> <p>x 2</p>	<p>G</p>  <p>x 1</p>	<p>H</p>  <p>x 2</p>
--	--	--	---

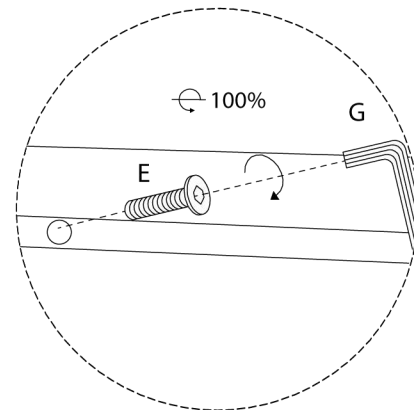
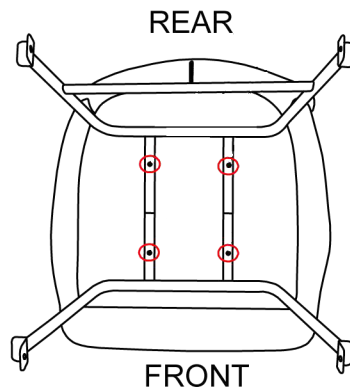
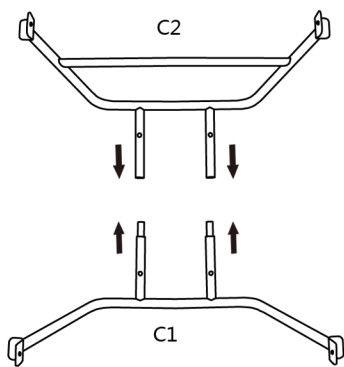
1

A  x 1	B  x 1	F  M8 x 55 x 2	G  x 1	H  x 2
--	--	---	---	--

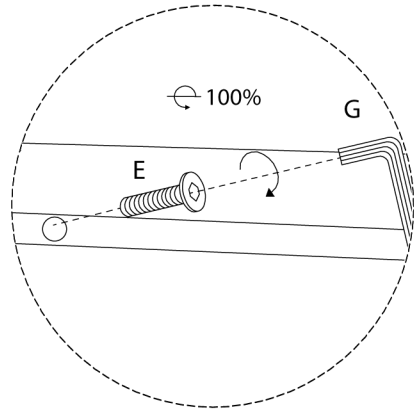
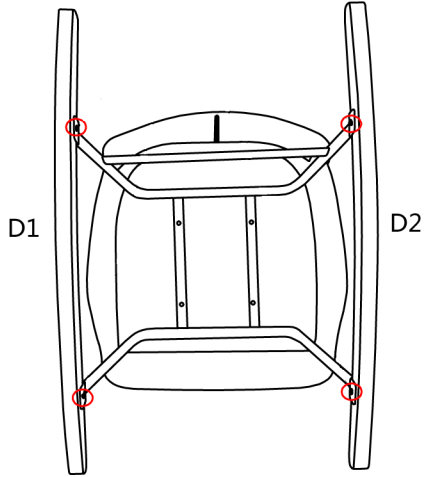
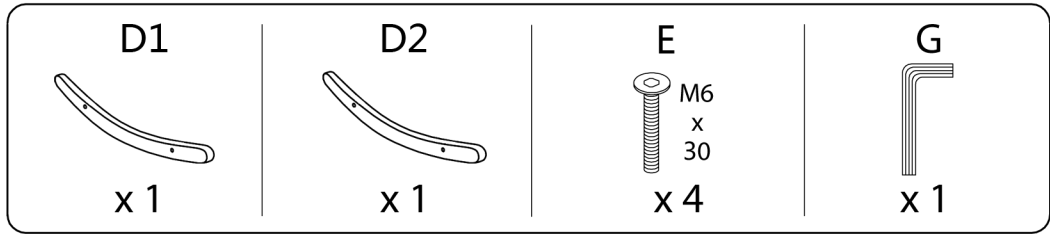


2

C1  x 1	C2  x 1	E  M6 x 30 x 4	G  x 1
---	---	--	--



3



4

