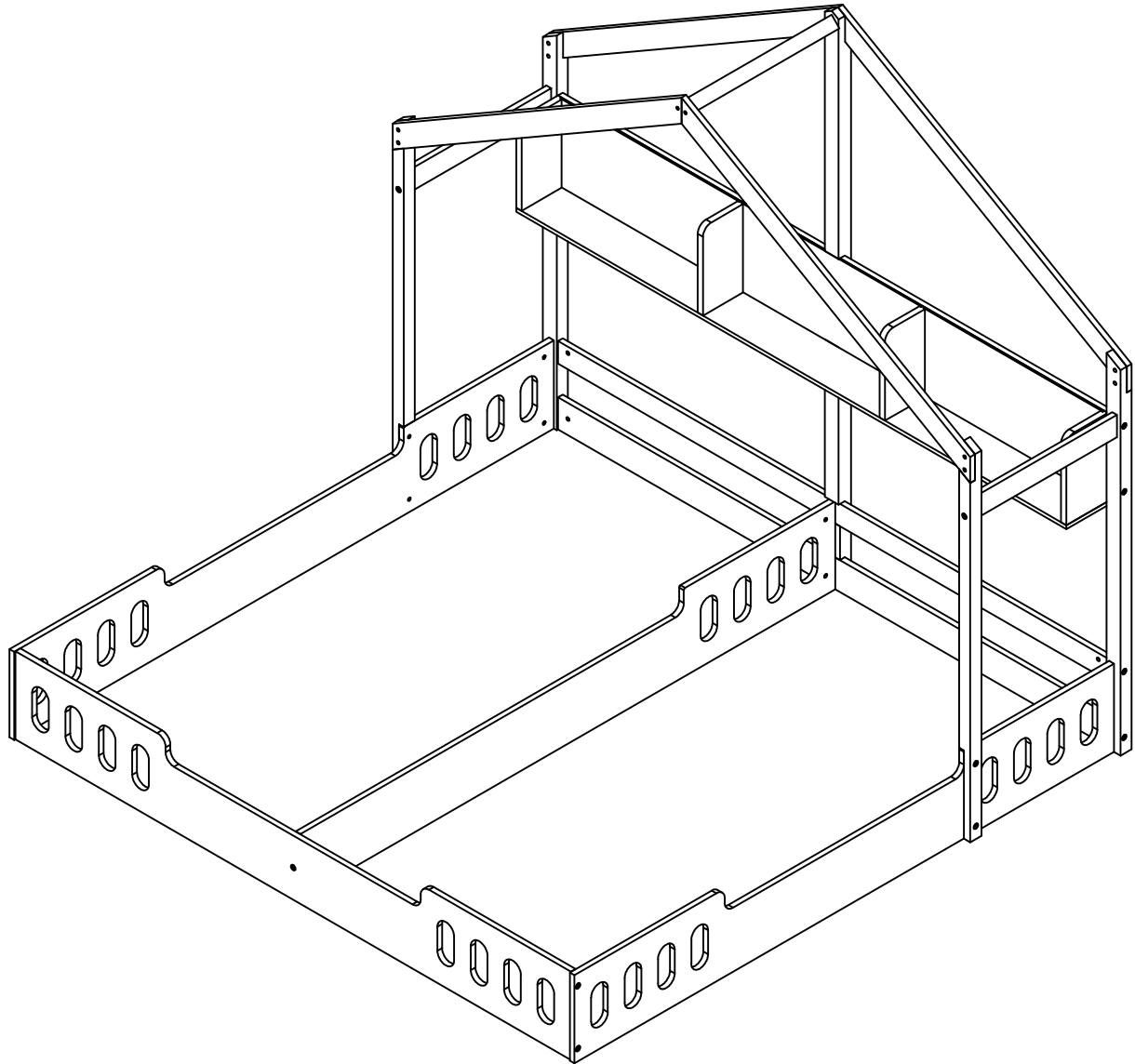
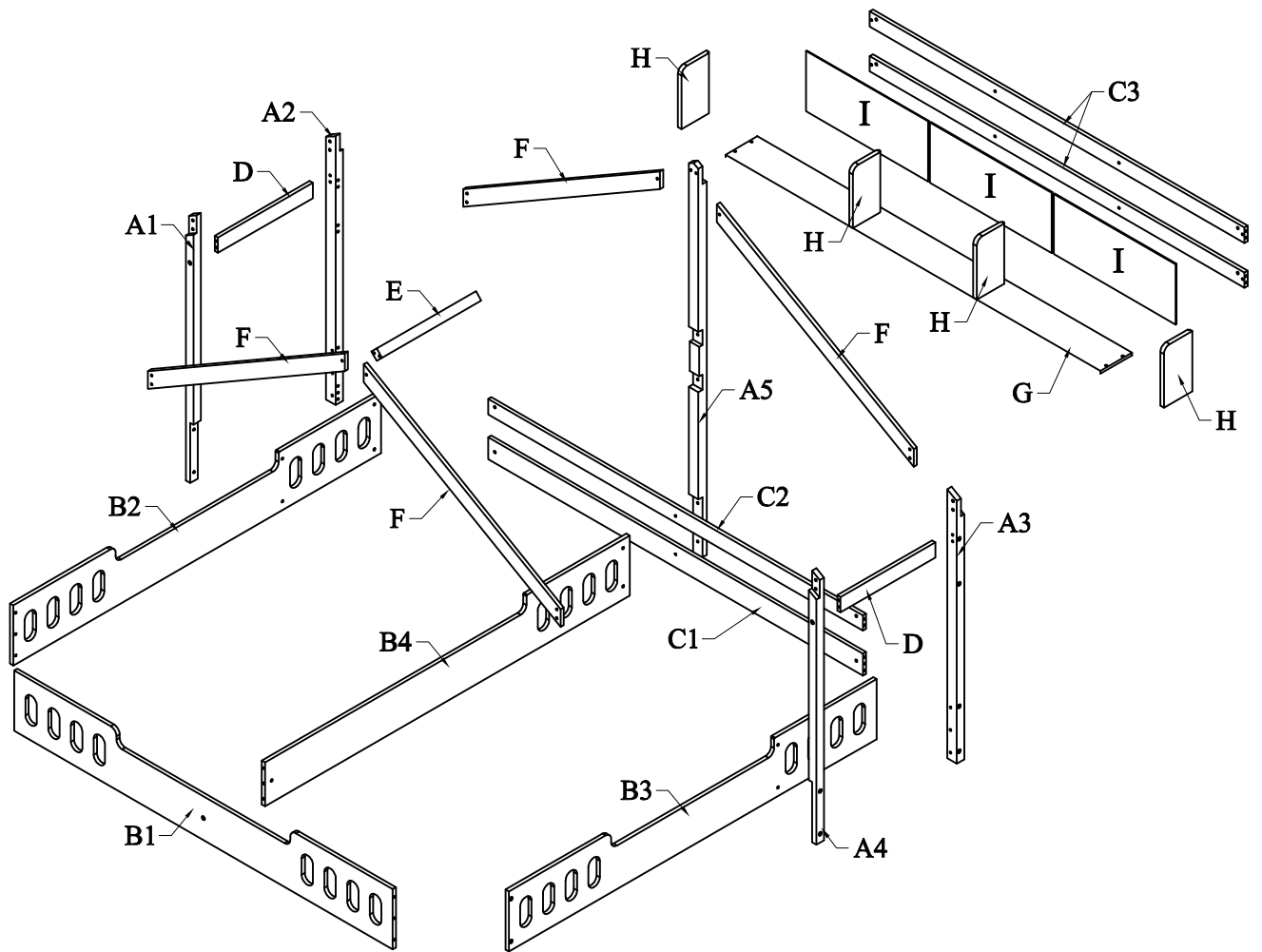


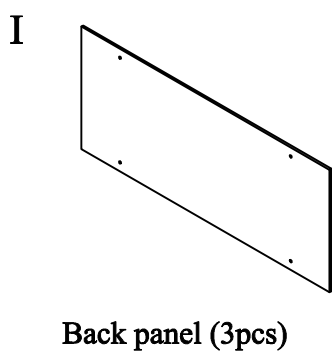
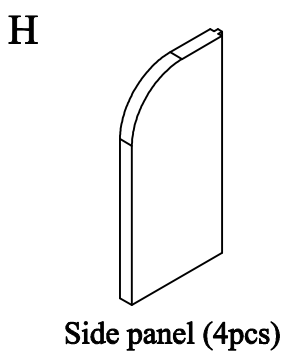
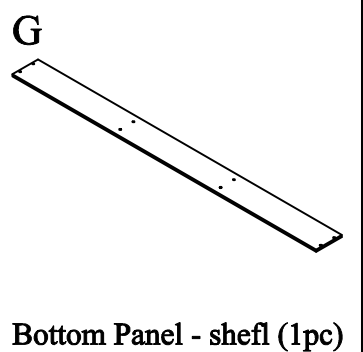
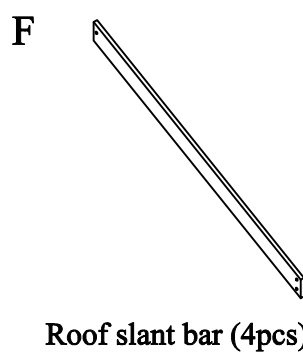
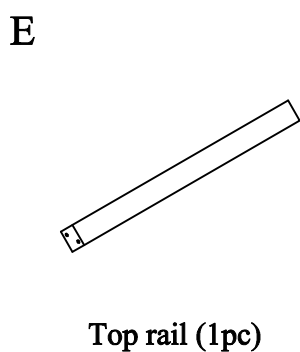
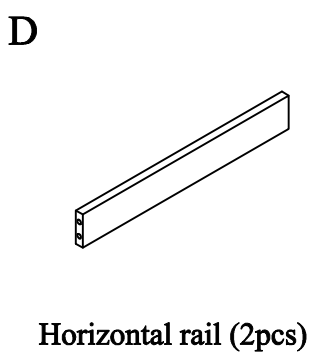
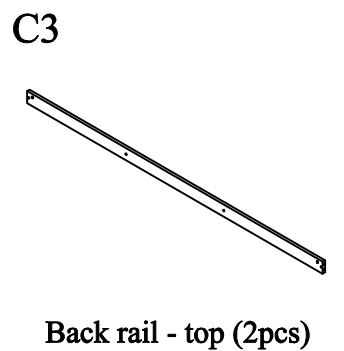
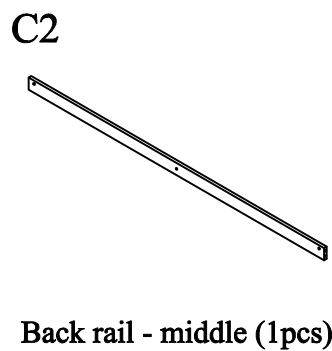
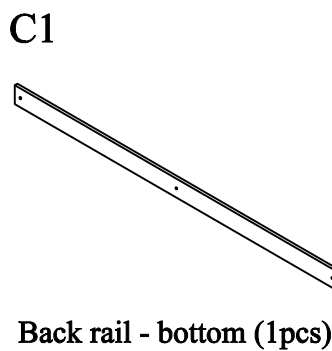
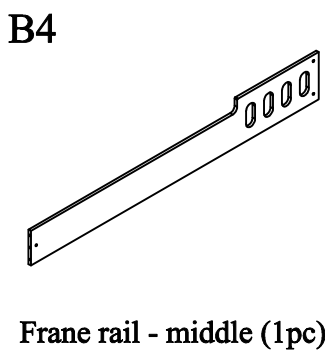
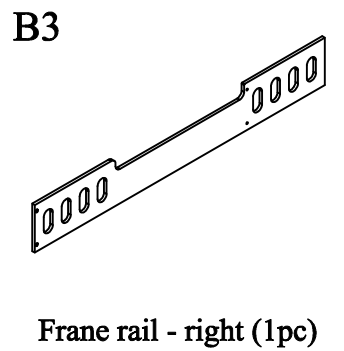
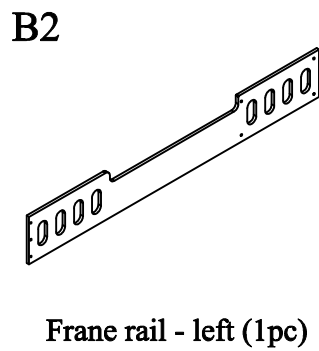
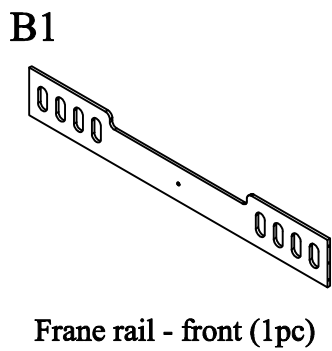
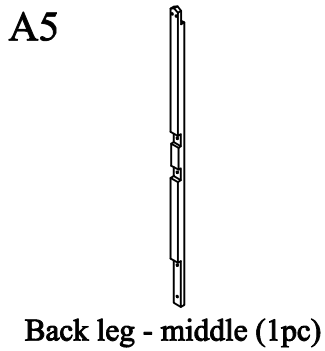
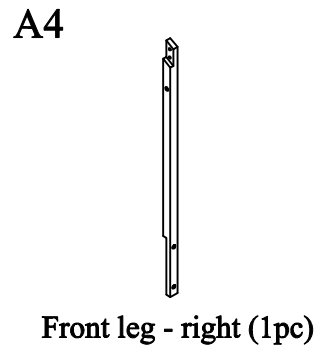
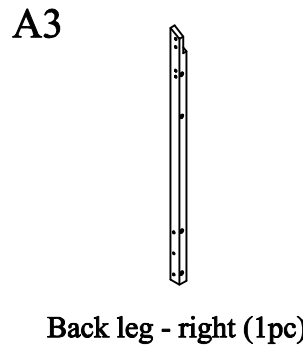
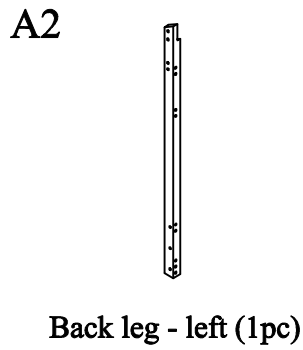
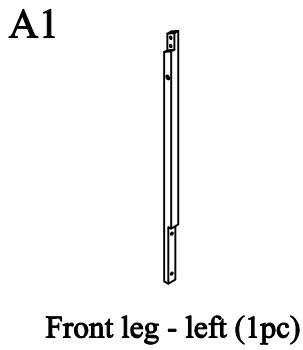
ASSEMBLY INSTRUCTIONS



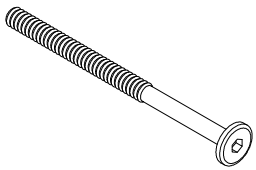
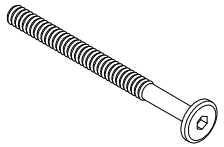
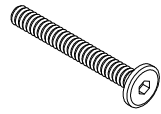
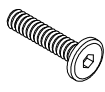
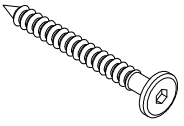
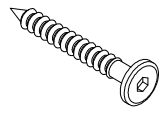
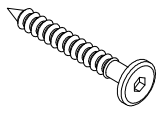
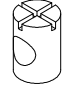

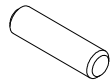
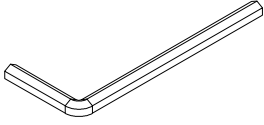
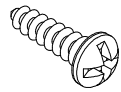
DETAIL VIEW



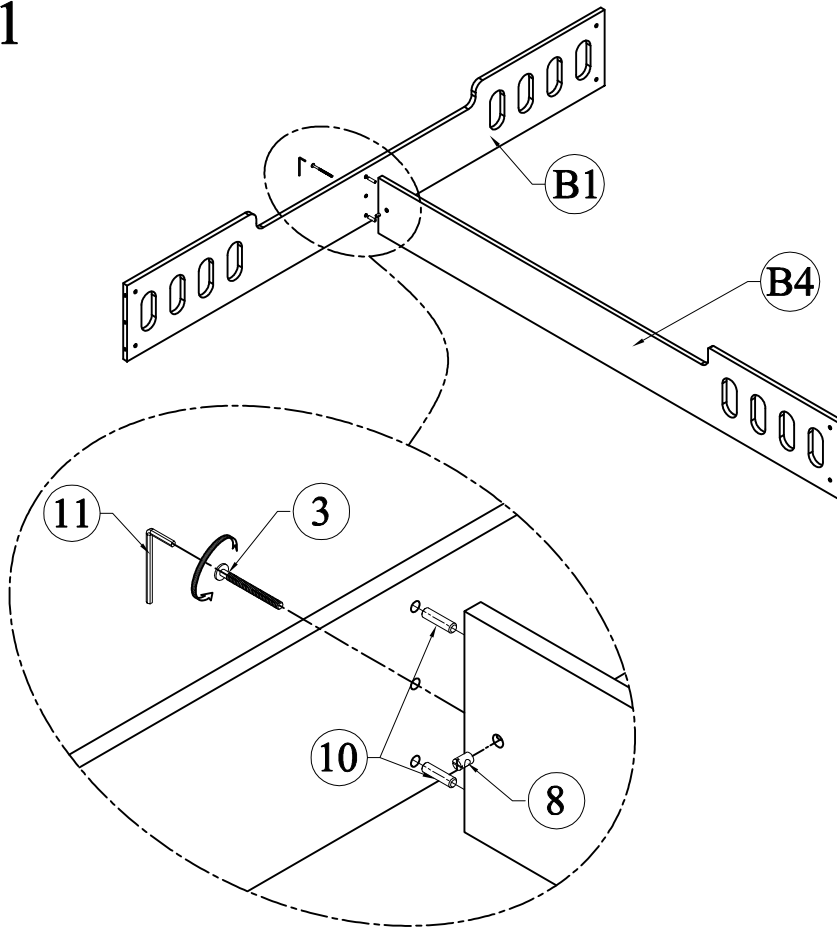
BOX 1



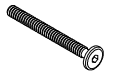
HARDWARE LIST

<p style="text-align: center;">1</p>  <p style="text-align: center;">Hex - Head bolts Ø1/4" * 100- 8pcs</p>	<p style="text-align: center;">2</p>  <p style="text-align: center;">Hex - Head bolts Ø1/4" * 90- 10pcs</p>	<p style="text-align: center;">3</p>  <p style="text-align: center;">Hex - Head bolts Ø1/4" * 60- 5pcs</p>	<p style="text-align: center;">4</p>  <p style="text-align: center;">Hex - Head bolts Ø1/4" * 30- 14pcs</p>
<p style="text-align: center;">5</p>  <p style="text-align: center;">Hexagonal bolts catch wood Ø1/4" * 70 - 2pcs</p>	<p style="text-align: center;">6</p>  <p style="text-align: center;">Hexagonal bolts catch wood Ø1/4" * 50 - 10pcs</p>	<p style="text-align: center;">7</p>  <p style="text-align: center;">Hexagonal bolts catch wood Ø1/4" * 40 - 8pcs</p>	<p style="text-align: center;">8</p>  <p style="text-align: center;">Horizontal - Hold bolts Ø1/4" - 23pcs</p>
<p style="text-align: center;">9</p>  <p style="text-align: center;">Canopy head though Ø1/4" - 12pcs</p>	<p style="text-align: center;">10</p>  <p style="text-align: center;">Wood dowel Ø8 * 30 - 20pcs</p>	<p style="text-align: center;">11</p>  <p style="text-align: center;">Allen key K4 - 2pcs</p>	<p style="text-align: center;">12</p>  <p style="text-align: center;">Round wood crews 3,5*15 - 12pcs</p>

STEP 1



3



Hex - Head bolts
Ø1/4" * 60- 1pcs

8



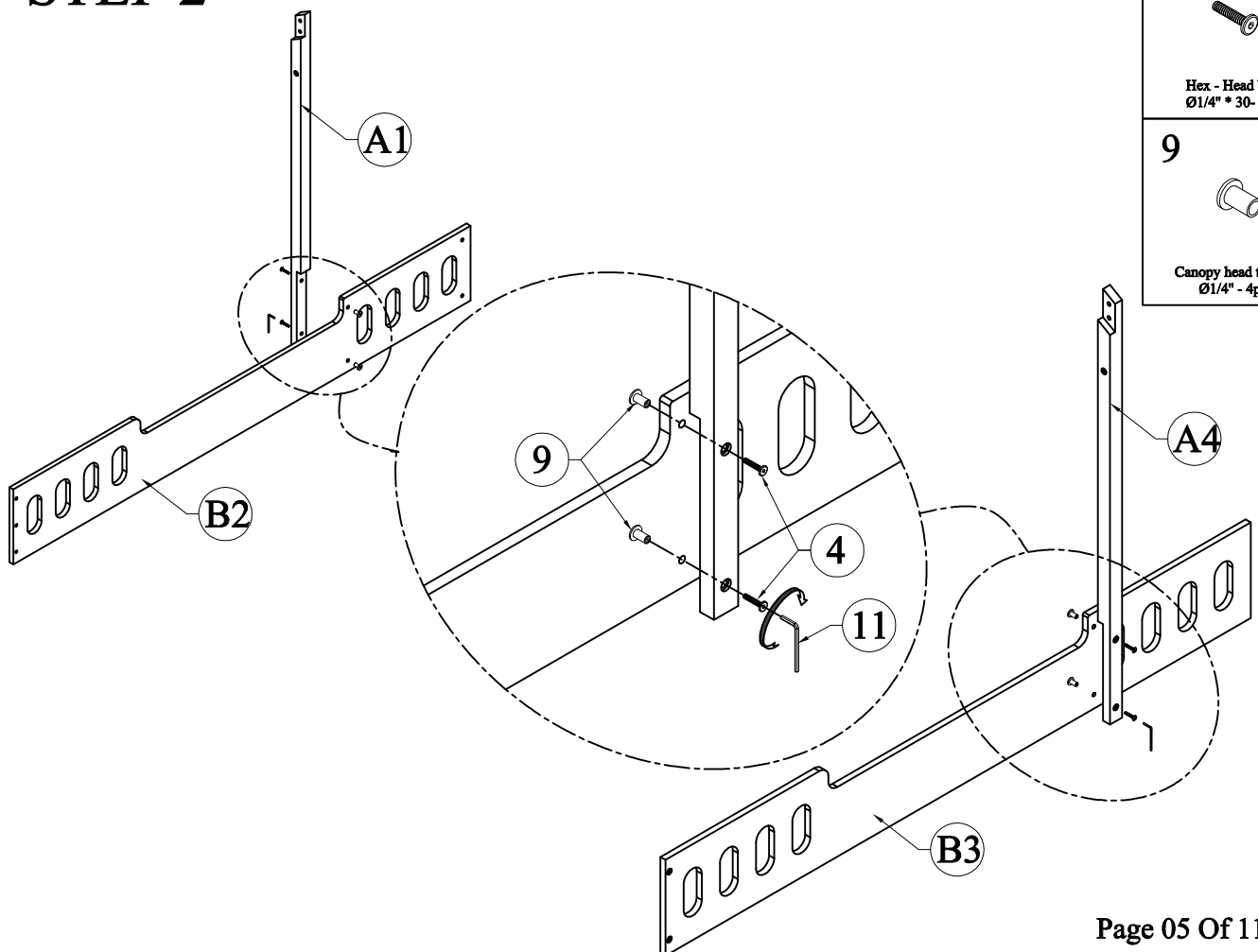
Horizontal - Hold bolts
Ø1/4" - 1pcs

10



Wood dowel
Ø8 * 30 - 2pcs

STEP 2



4



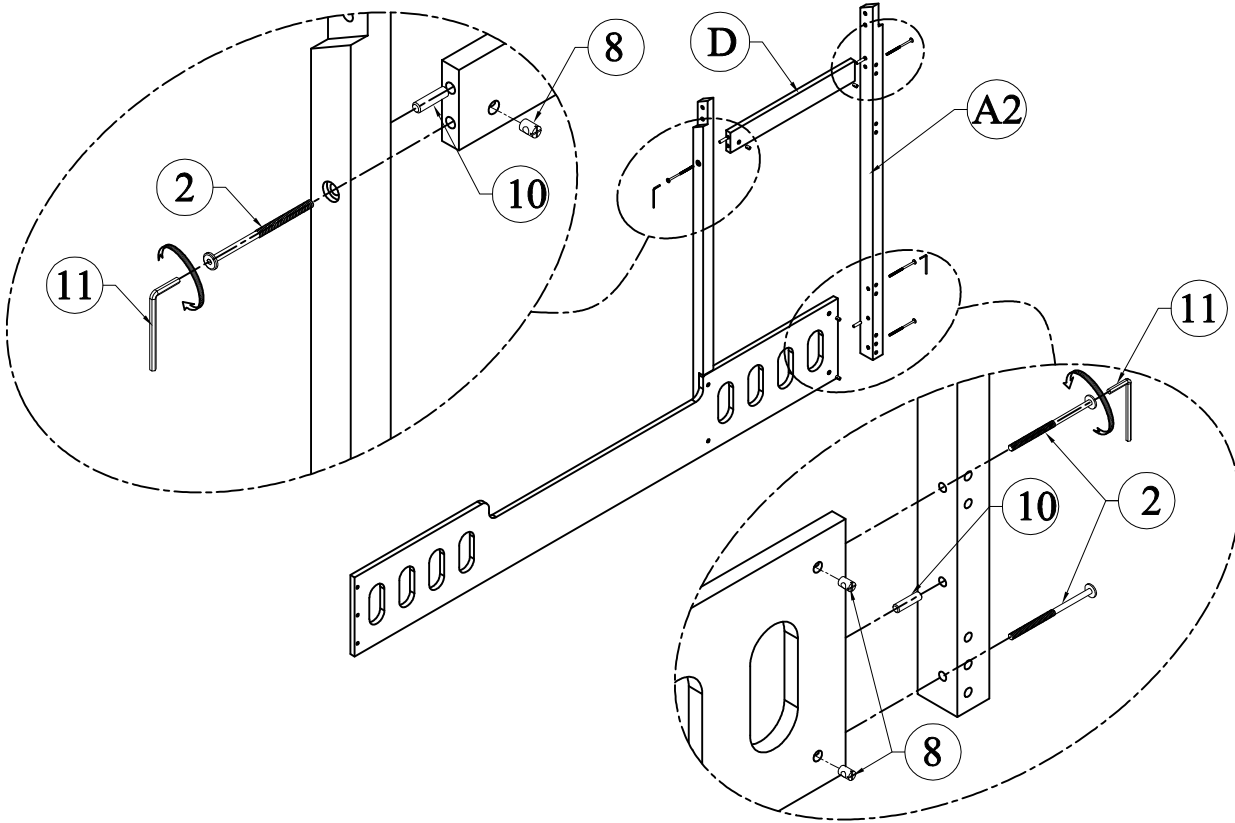
Hex - Head bolts
Ø1/4" * 30- 4pcs

9

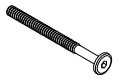


Canopy head through
Ø1/4" - 4pcs

STEP 3



2



Hex - Head bolts
Ø1/4" * 90- 4pcs

8



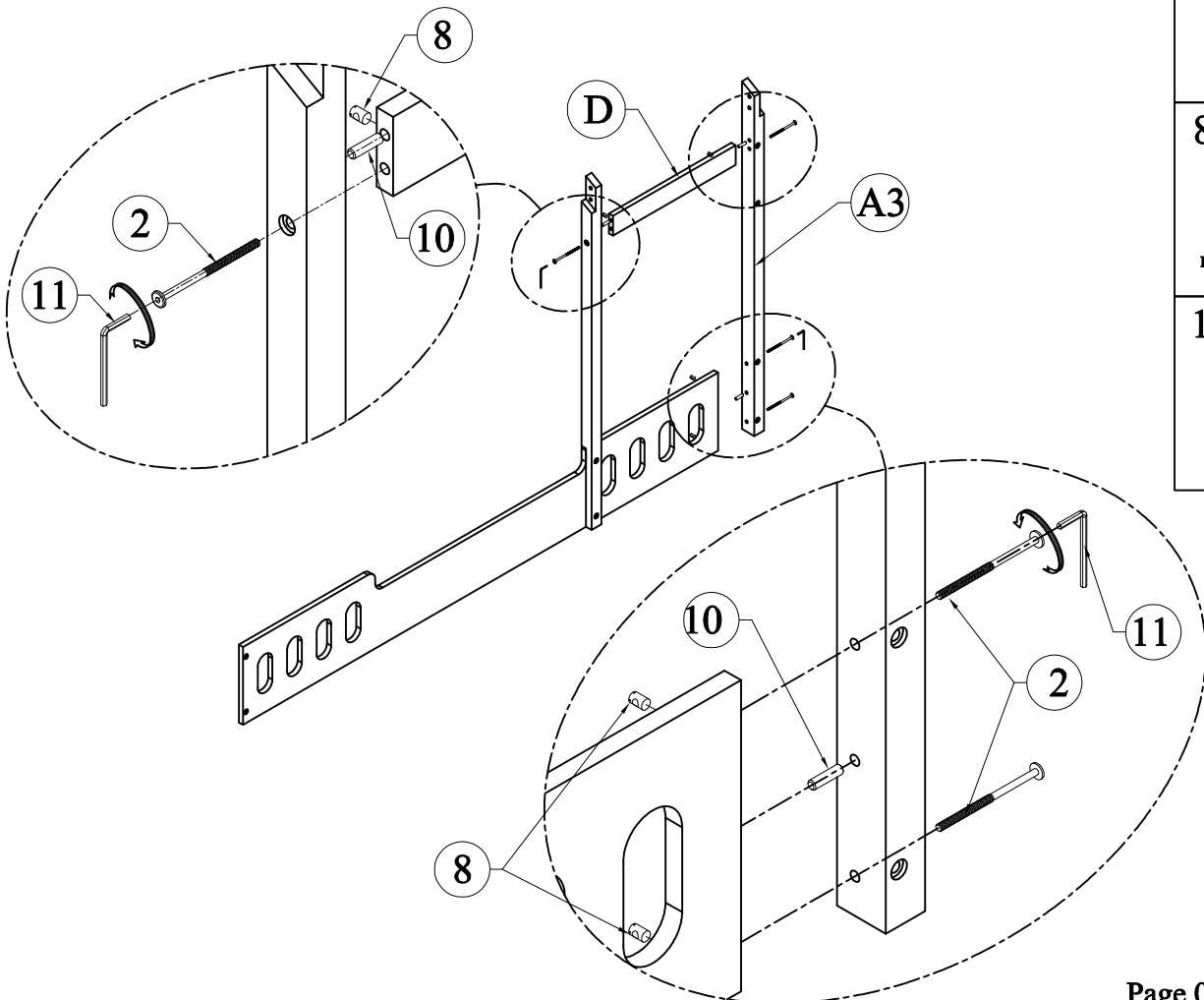
Horizontal - Hold bolts
Ø1/4" - 4pcs

10

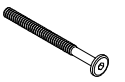


Wood dowel
Ø8 * 30 - 3pcs

STEP 4



2



Hex - Head bolts
Ø1/4" * 90- 4pcs

8



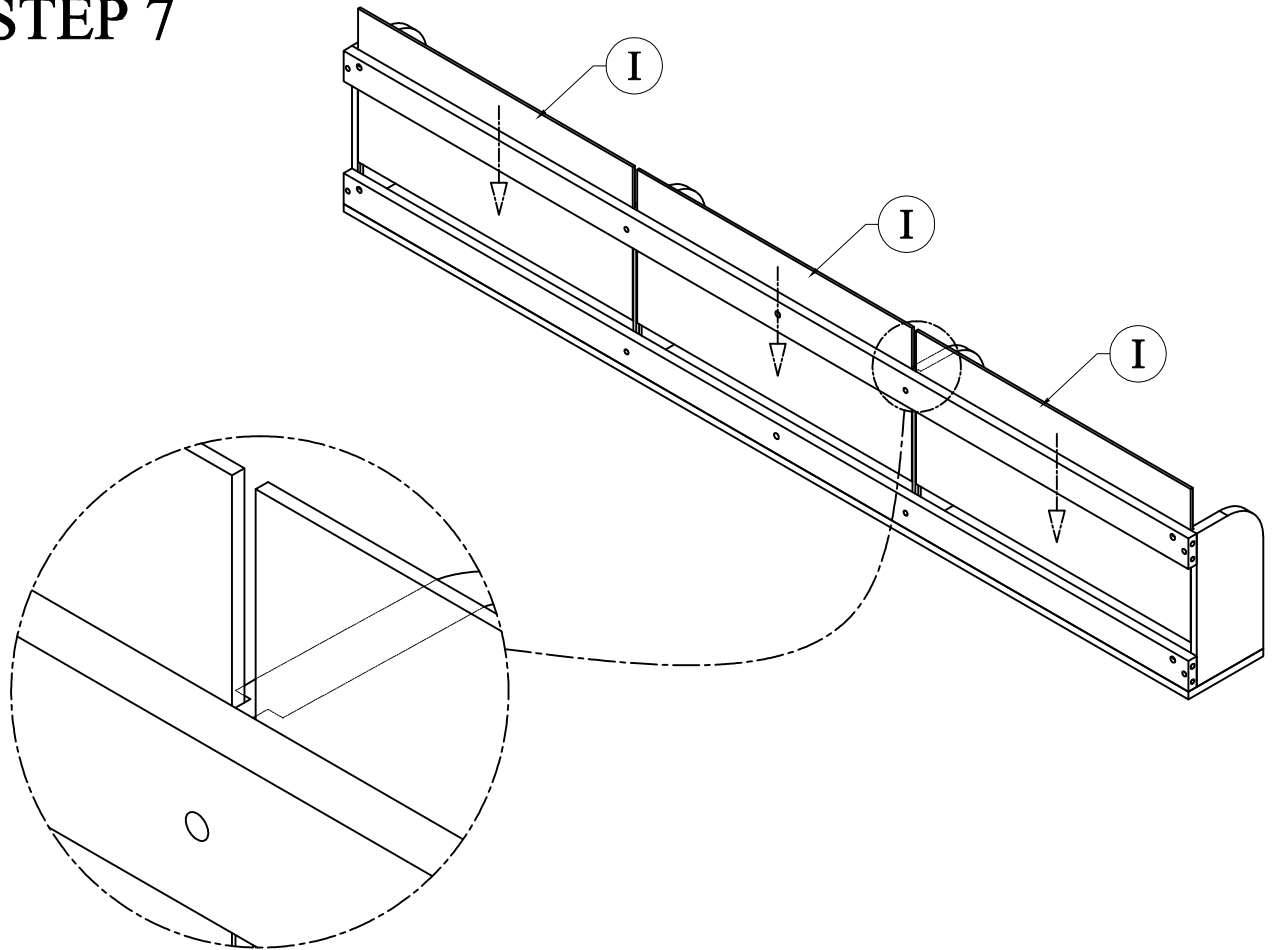
Horizontal - Hold bolts
Ø1/4" - 4pcs

10

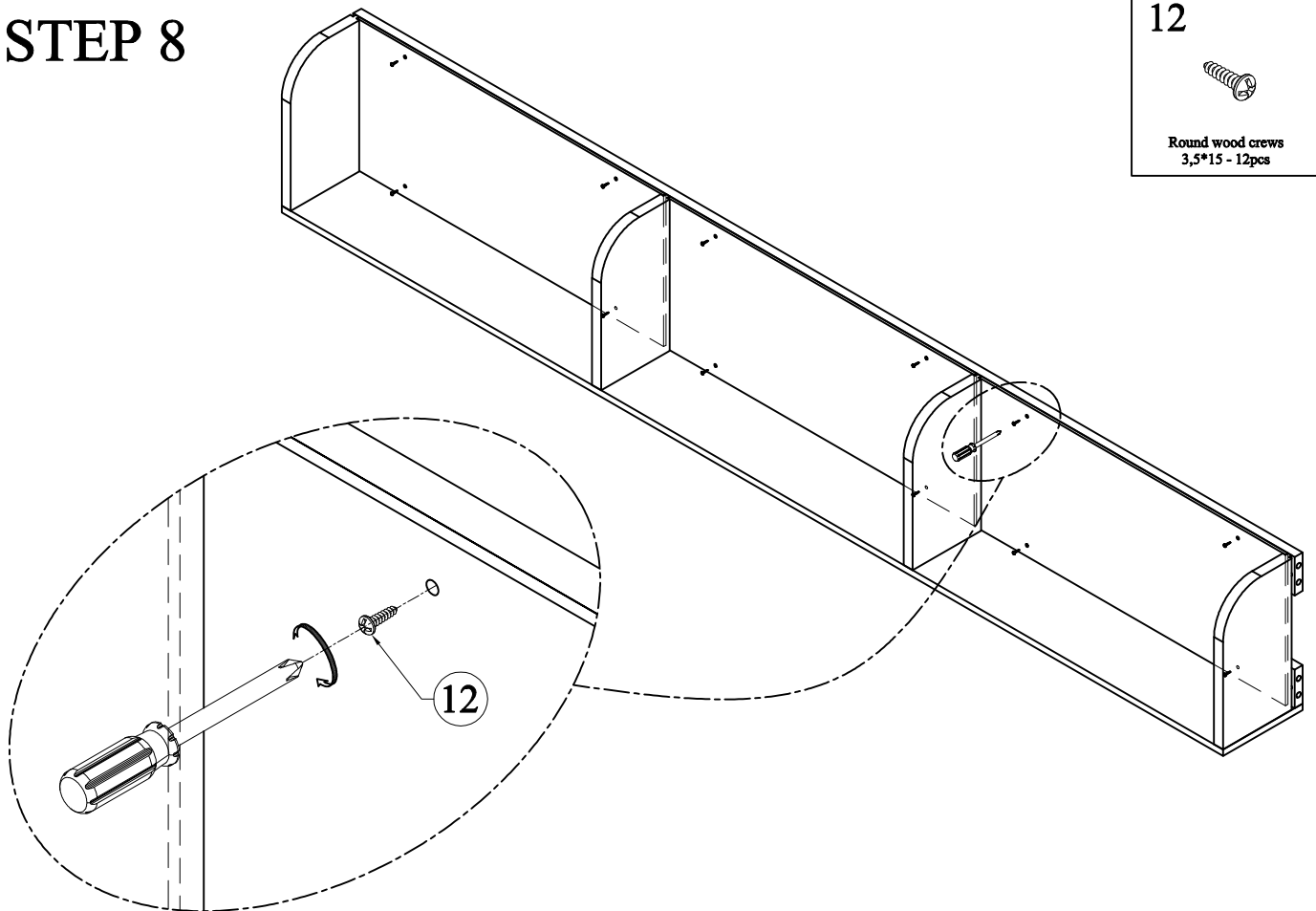


Wood dowel
Ø8 * 30 - 3pcs

STEP 7



STEP 8

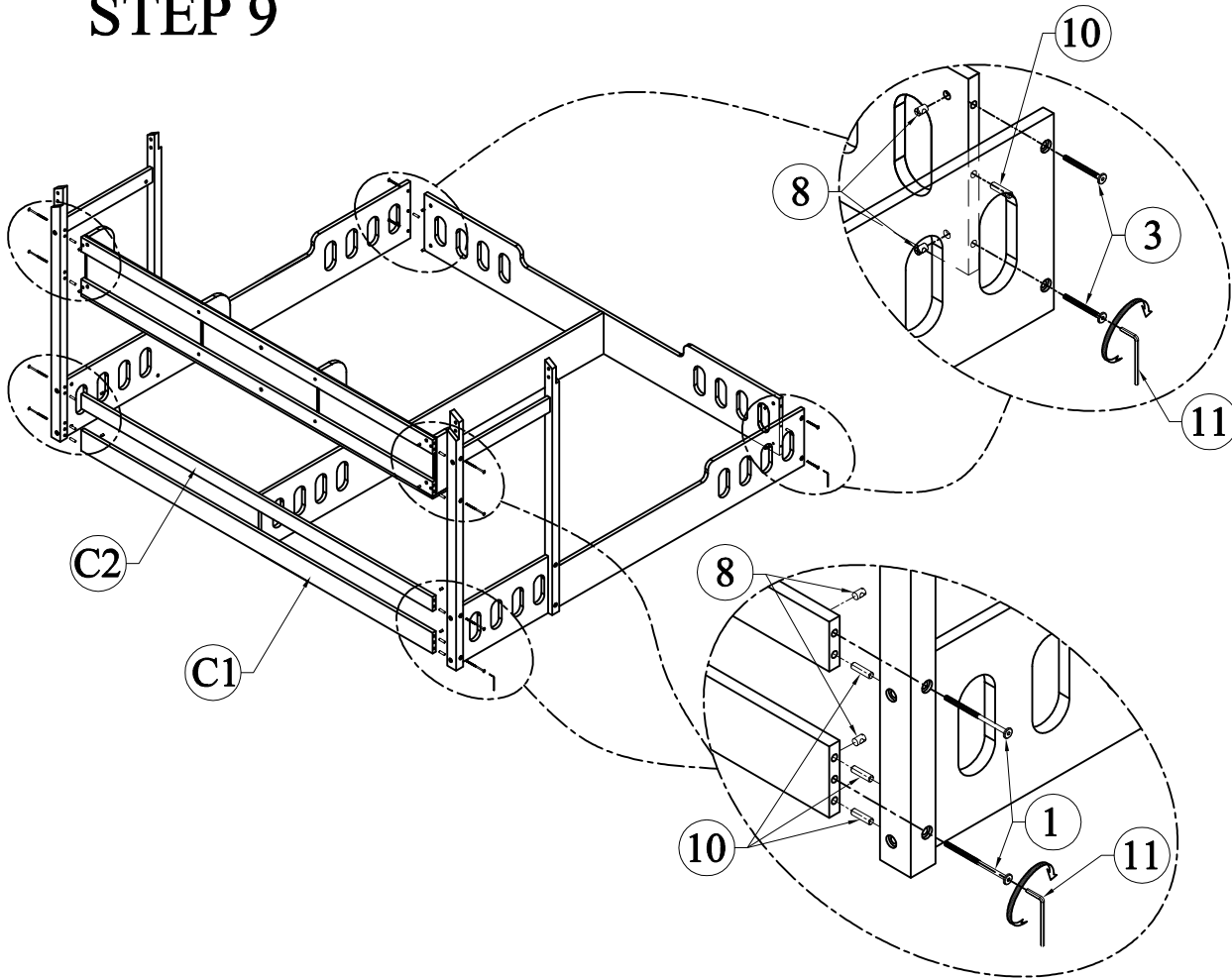


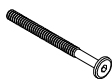
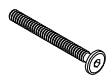

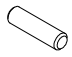
12



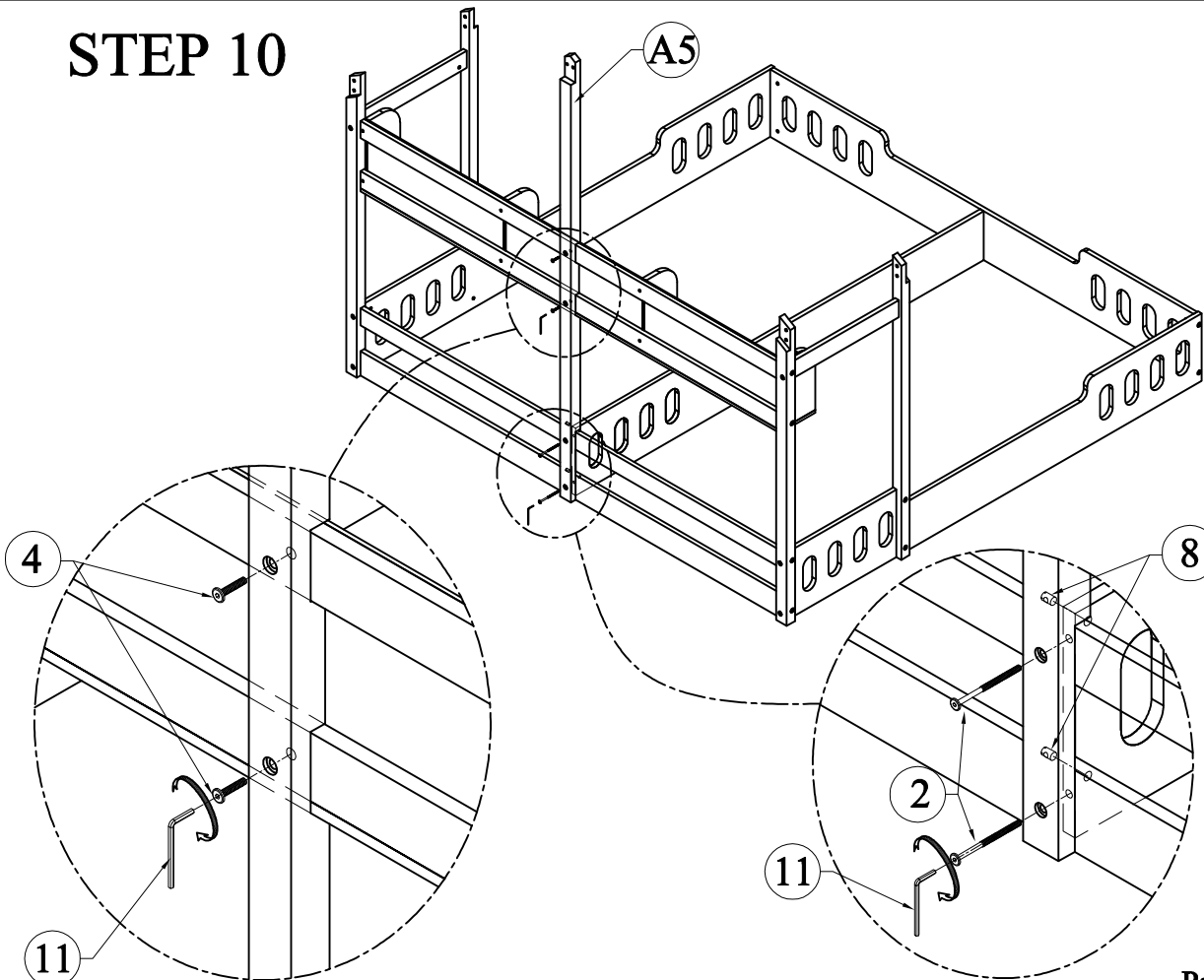
Round wood crews
3,5*15 - 12pcs

STEP 9



- 1

Hex - Head bolts
Ø1/4" * 100- 8pcs
- 3

Hex - Head bolts
Ø1/4" * 60- 4pcs
- 8

Horizontal - Hold bolts
Ø1/4" - 12pcs
- 10

Wood dowel
Ø8 * 30 - 12pcs

STEP 10



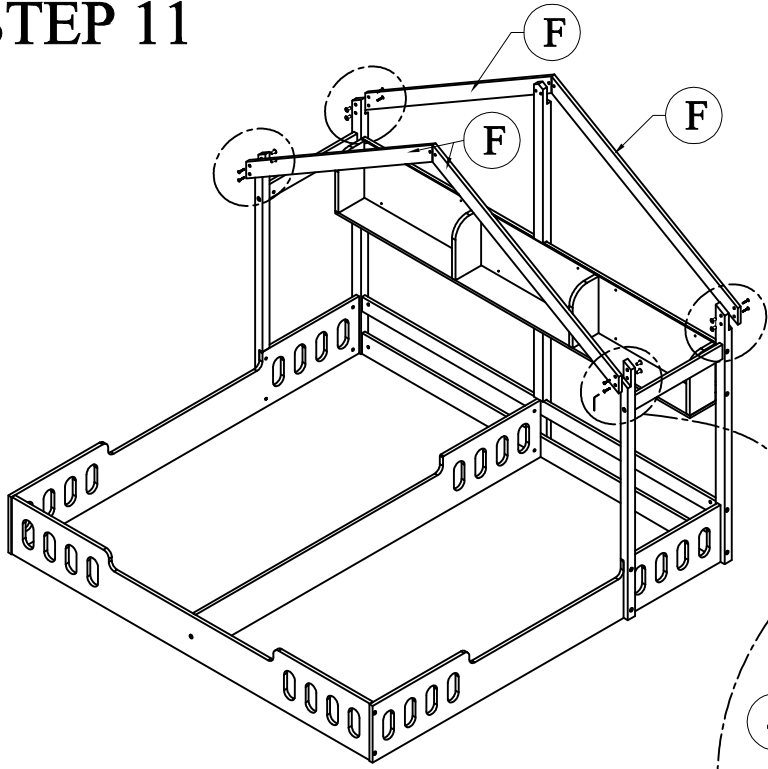
- 2

Hex - Head bolts
Ø1/4" * 90- 2pcs
- 4

Hex - Head bolts
Ø1/4" * 30- 2pcs
- 8

Horizontal - Hold bolts
Ø1/4" - 2pcs

STEP 11



4

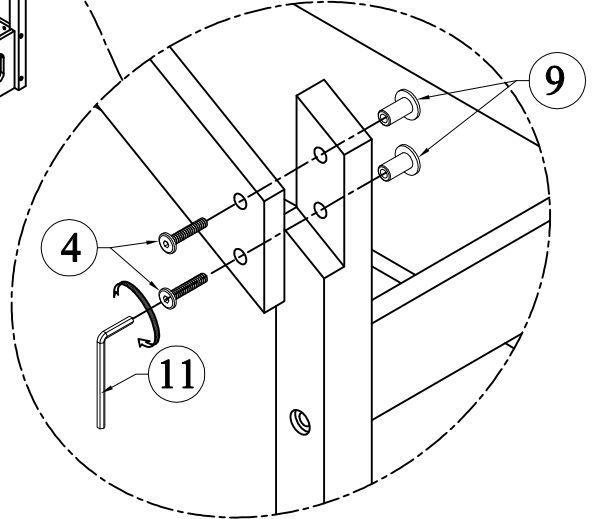


Hex - Head bolts
Ø1/4" * 30- 8pcs

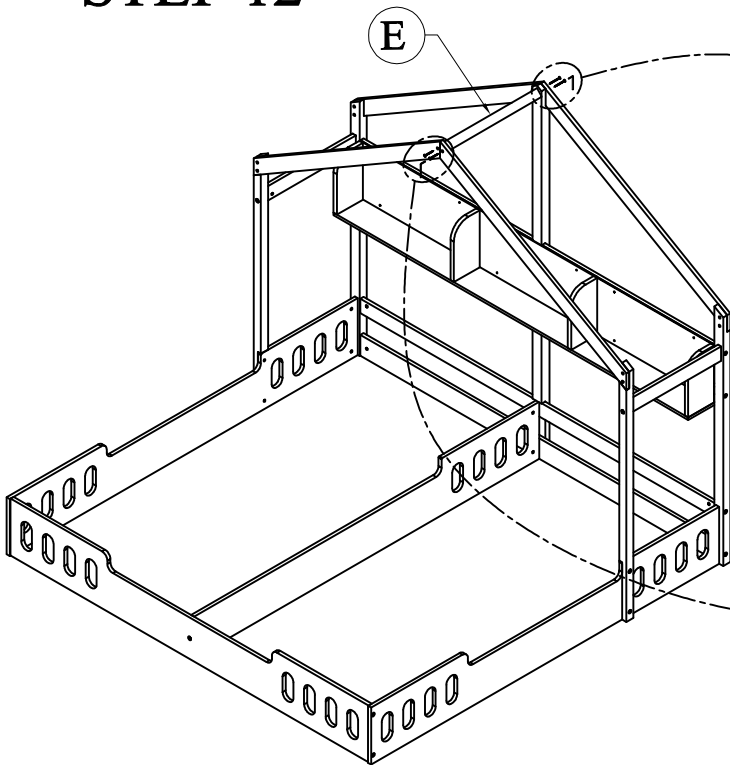
9



Canopy head through
Ø1/4" - 8pcs



STEP 12



5

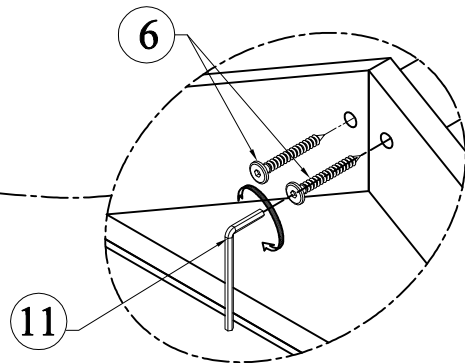
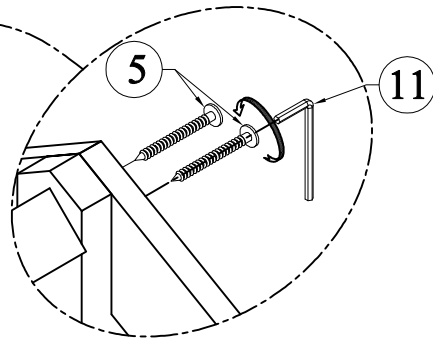


Hexagonal bolts catch wood
Ø1/4" * 70 - 2pcs

6



Hexagonal bolts catch wood
Ø1/4" * 50 - 2pcs



COMPLETED

