












Assembly Instructions

Caution: You must read this before you proceed

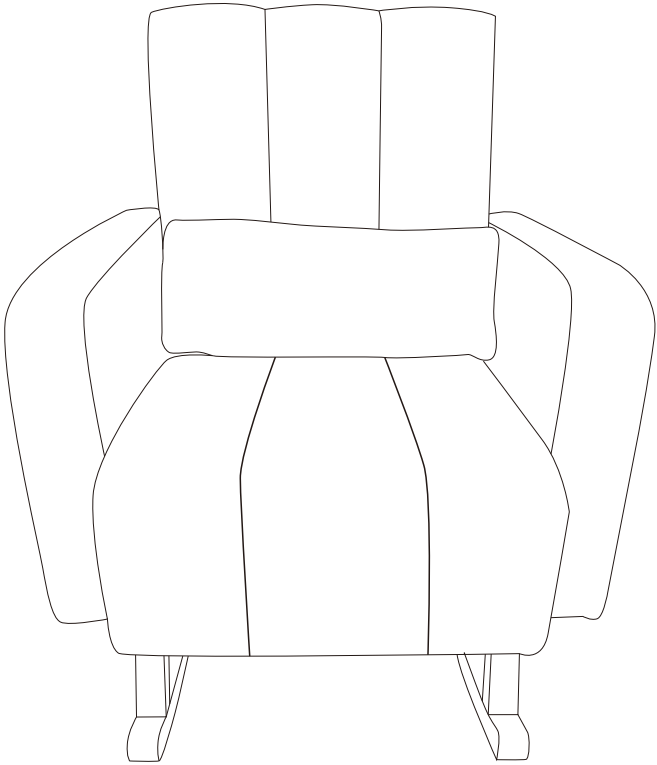
Care & Maintenance

| | |
|---|---|
|  | <ul style="list-style-type: none">● Not for commercial use. For residential use only. |
|  | <ul style="list-style-type: none">● Furniture may scratch floors. We recommend using furniture pads to protect your floors. |
|  | <ul style="list-style-type: none">● Do not put hot items directly on furniture surface. |
|  | <ul style="list-style-type: none">● Do not clean furniture with harsh cleansers or polish. |
|  | <ul style="list-style-type: none">● Do not place furniture under direct sunlight. |
|  | <ul style="list-style-type: none">● Do not place furniture near heating or cooling vents. |
|  | <ul style="list-style-type: none">● Do not write on furniture without a padded barrier to protect the surface. |
|  | <ul style="list-style-type: none">● Do not place furniture outside . For indoor use only. |
|  | <ul style="list-style-type: none">● Stains may be removed with mild soap solution and damp cloth. |
|  | <ul style="list-style-type: none">● Children should not climb or jump on the furniture. |
|  | <ul style="list-style-type: none">● Dust and pick-up spills using a clean, non-colored, lint-free cloth. |

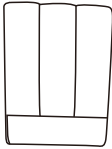
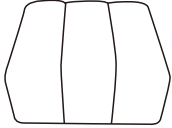


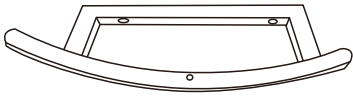
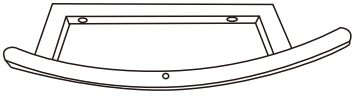
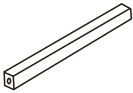


Please look in the magic tape pouch for hardware packs and legs

Sets often ship in multiple boxes and may arrive a day or two apart.






CHAIR
N765P263906



Part List

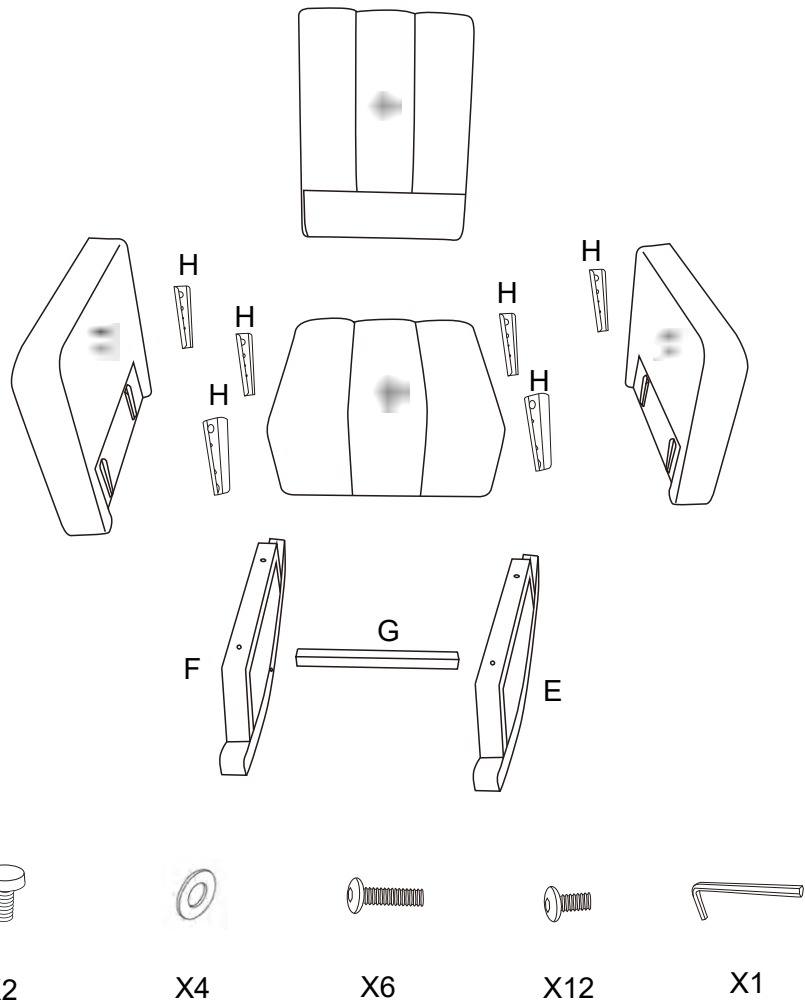
| Label | Picture | Description | QTY |
|-------|---|---------------|-----|
| A |  | Backrest | 1 |
| B |  | Seat | 1 |
| C |  | Left Armrest | 1 |
| D |  | Right Armrest | 1 |
| E |  | Left Leg | 1 |
| F |  | Right Leg | 1 |
| G |  | Leg Rung | 1 |
| H |  | Inserts | 6 |
| I |  | Bumbag | 1 |

Hardware List

| Label | Picture | Description | QTY |
|-------|---|------------------|-----|
| ① |  | Foot Nails | 2 |
| ② |  | Flat Washer | 4 |
| ③ |  | Bolt(M6*45mm) | 6 |
| ④ |  | Bolt(M6*25mm) | 12 |
| ⑤ |  | Allen Wrench(M6) | 1 |

Assembly Preparation

Before Beginning Assembly:





- Read instructions, cover to cover-



- Have 2 adults on hand for assembly-



- Do not assemble on flooring or carpet-



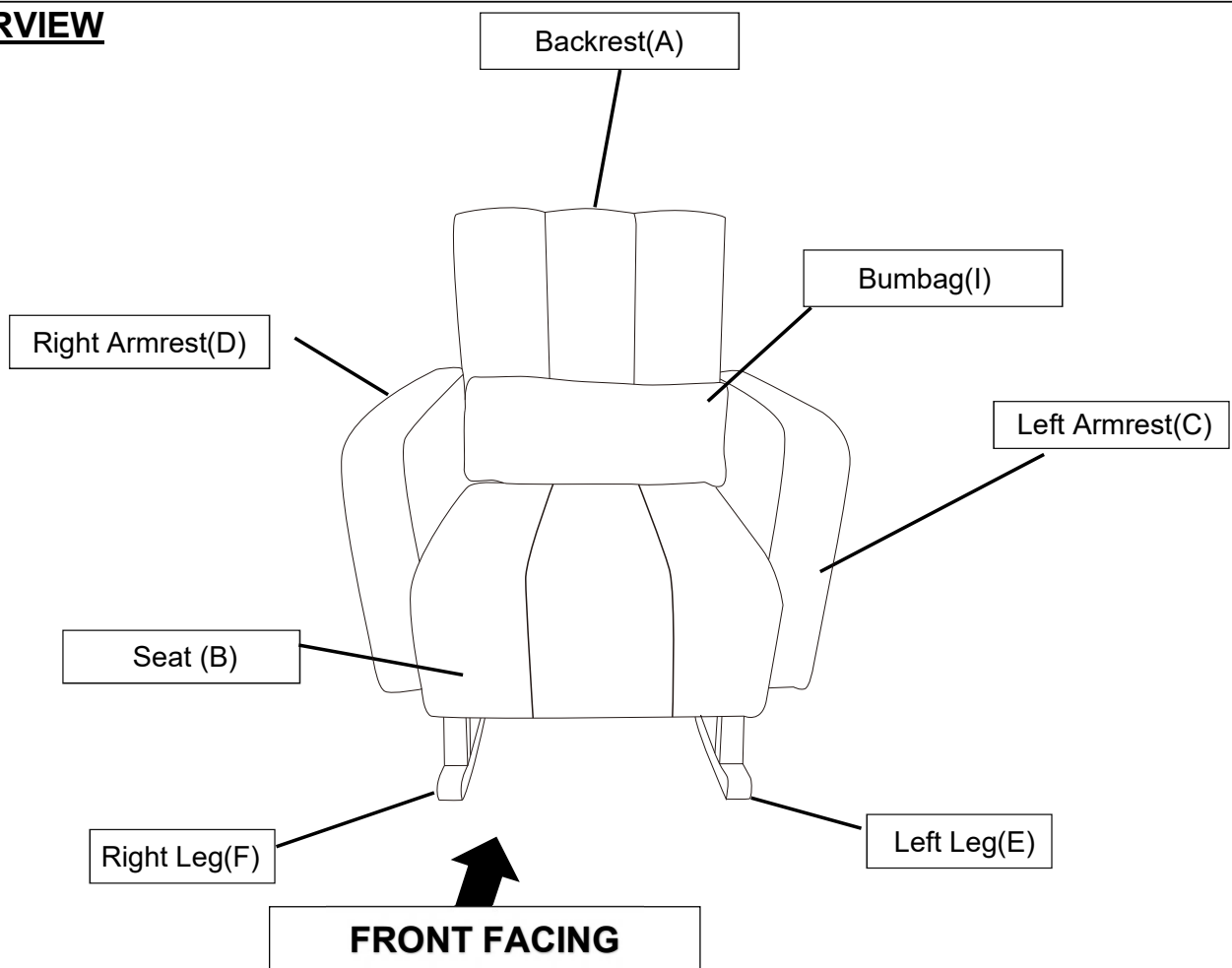
- Assemble on a clean non-marring surface (packing foam)-



- Save all packaging until finished-

Assembly Steps

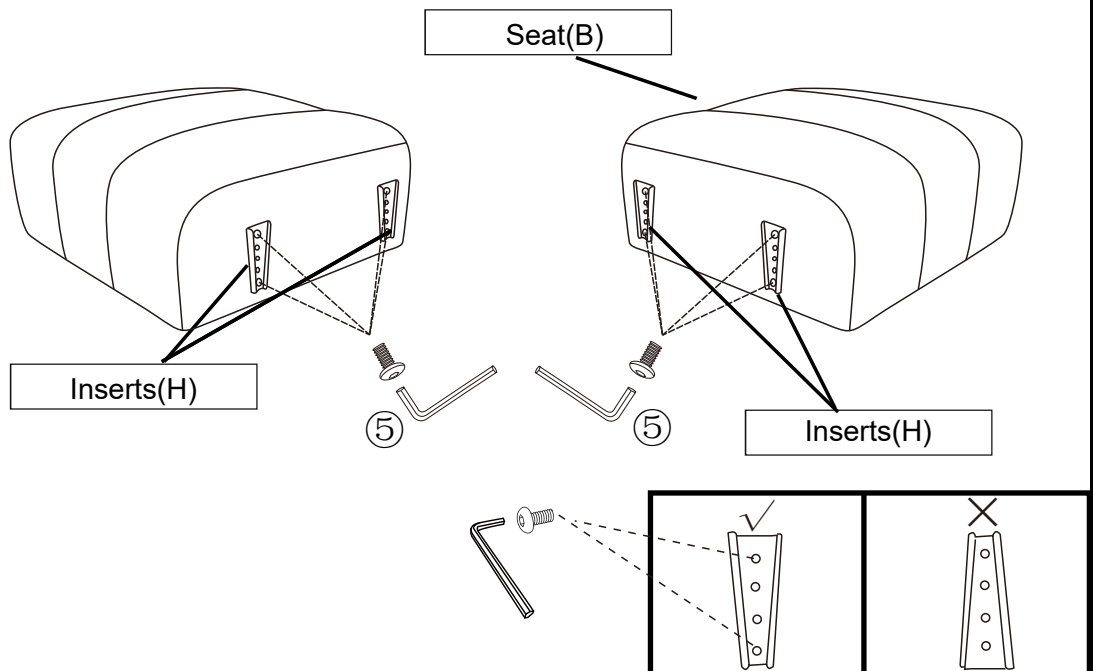
OVERVIEW



This Chair has multiple parts and may require up to 60 minutes to assemble. To give you an overview of the Chair parts, the above picture is to help you put the various parts into perspective. Please read through the instructions below to familiarise yourself with the parts and steps before assembly.

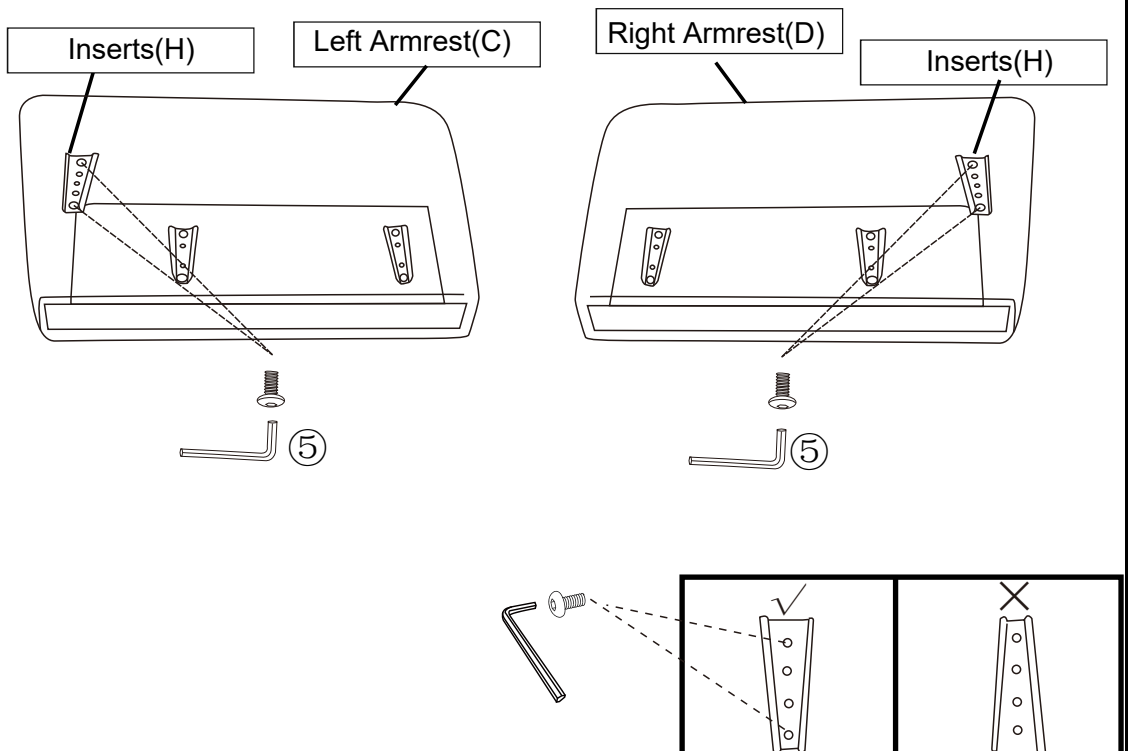
Note: It is recommended that you have an adult partner to assist during the entire assembly process.

Step 1



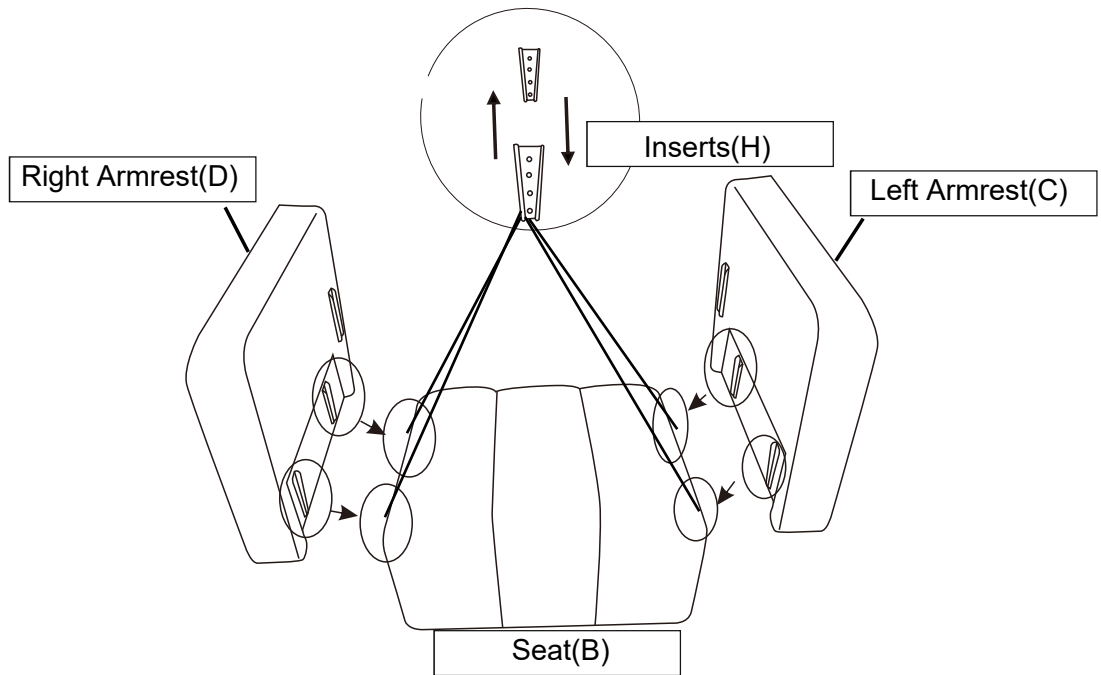
1. Secure both the Inserts(H) at Seat(B) by :
Using Bolt(), Allen Wrench(5), fully tighten the bolts, by turning clockwise.
2. As shown in the figure, do not install Inserts (H) upside down
3. Please lock the first and fourth holes of Inserts (H)

Step 2



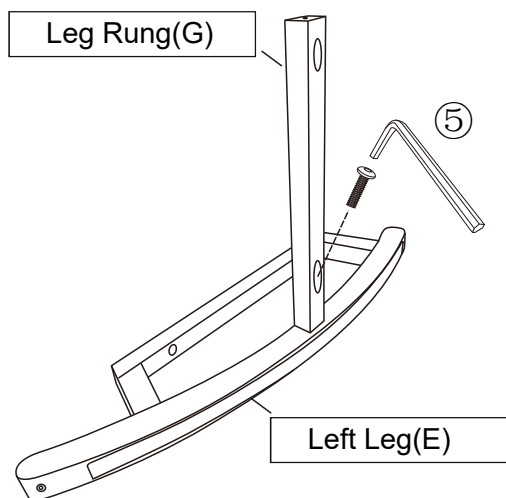
1. Secure both the Inserts(H) at Left Armrest(C), Right Armrest(D) by :
Using Bolt(), Allen Wrench(5), fully tighten the bolts, by turning clockwise.
2. As shown in the figure, do not install Inserts (H) upside down
3. Please lock the first and fourth holes of Inserts (H).

Step 3



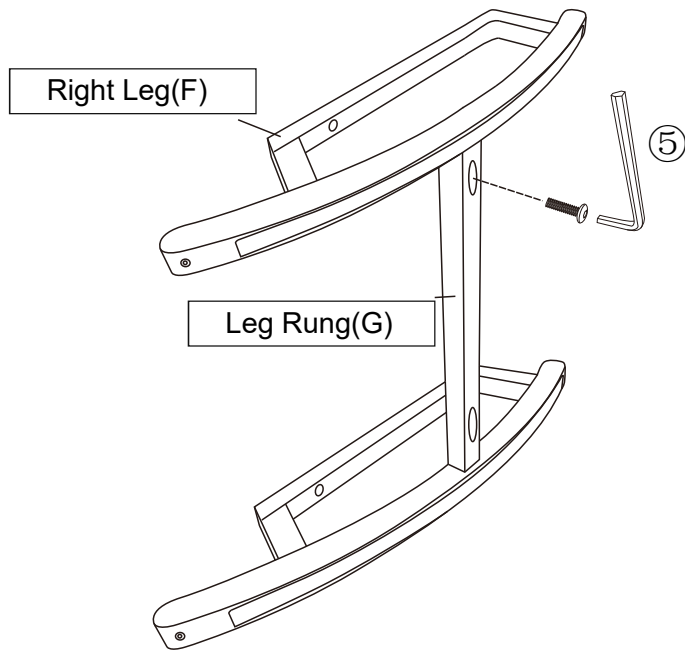
Insert the Inserts on the Right Armrest (D) and Left Armrest (C) into the Inserts(H) on the Seat (B)

Step 4



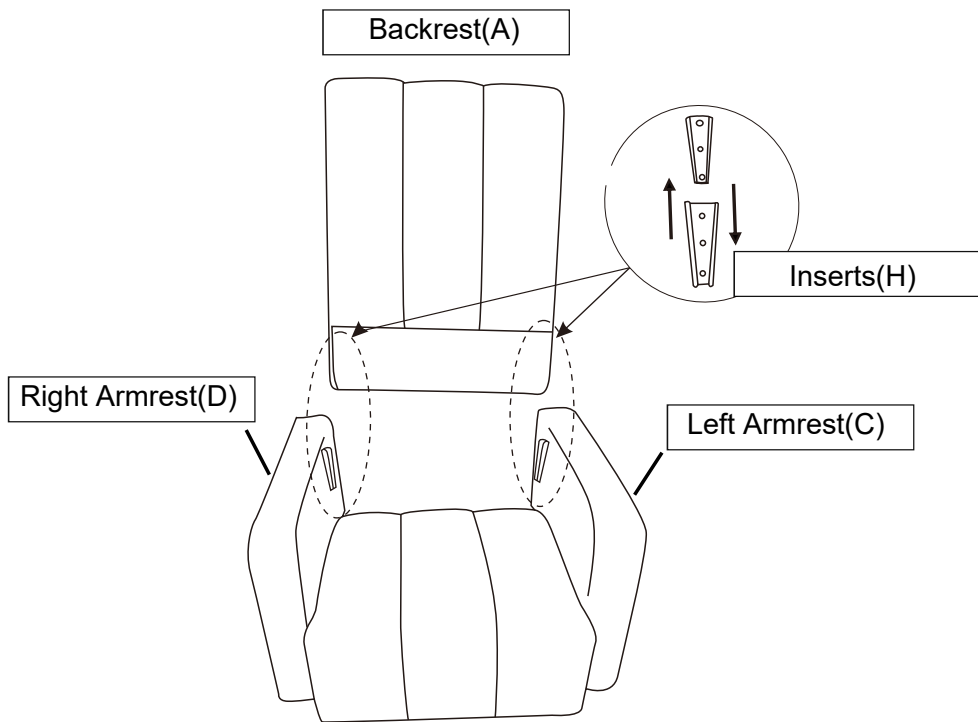
Connect Leg Rung(G) and Left Leg(E) together using the following method:
Using Bolt(), Allen Wrench(5), fully tighten the bolts, by turning clockwise.

Step 5



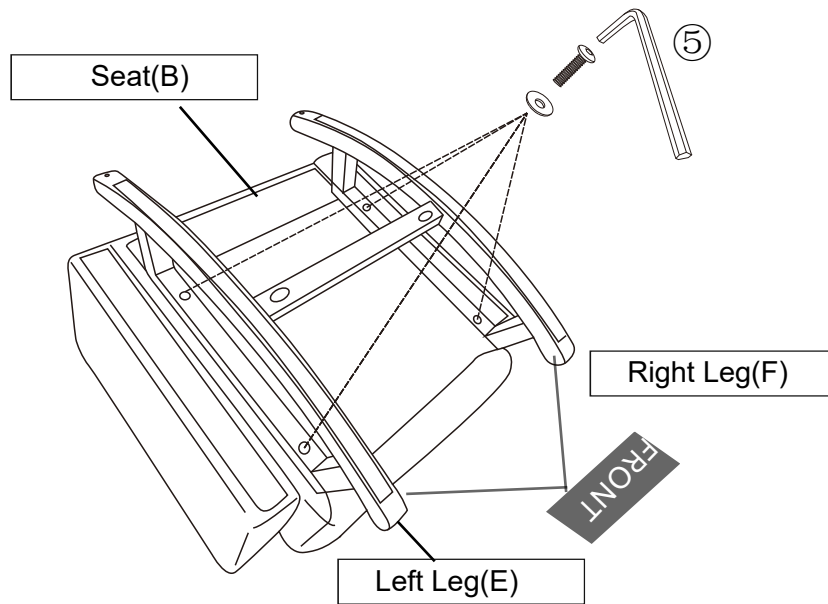
Connect Leg Rung(G) and Right Leg(F) together using the following method:
Using Bolt(),Allen Wrench(5),fully tighten the bolts, by turning clockwise.

Step 6



Insert the two Small Inserts of Backrest(A) into the Inserts(H) of Right Armrest(D) and Left Armrest(C)

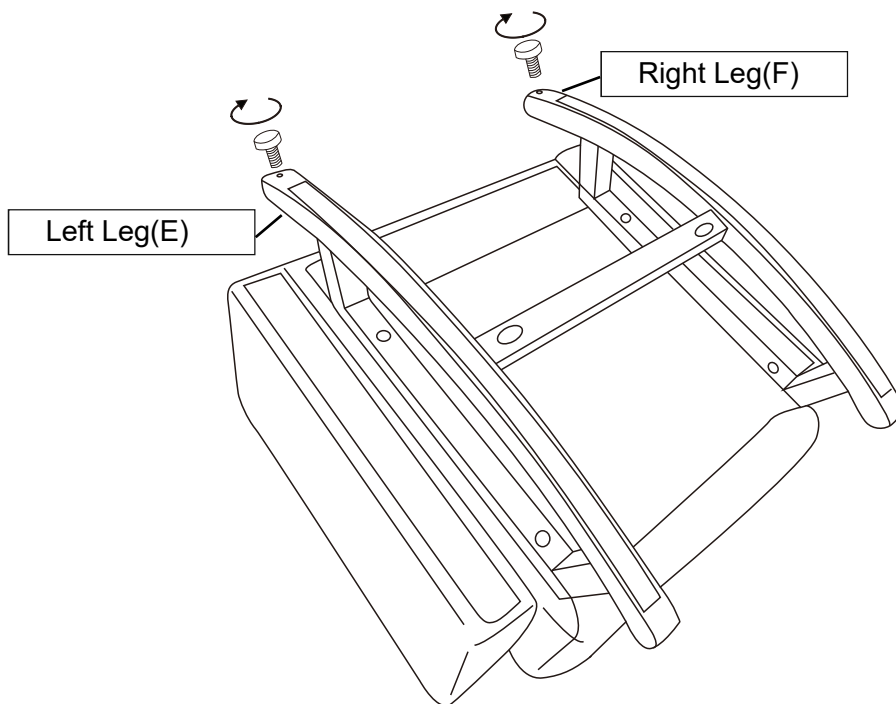
Step 7



Link Left Leg (E), Right Leg(F), and Seat (B) together using the following method
Using 4 pcs Flat Washer(), 4 pcs Bolt(), 1pc Allen Wrench(5), fully tighten the bolts, by turning clockwise.

Note: When installing wooden leg, there will be markings with arrows to distinguish between front and back

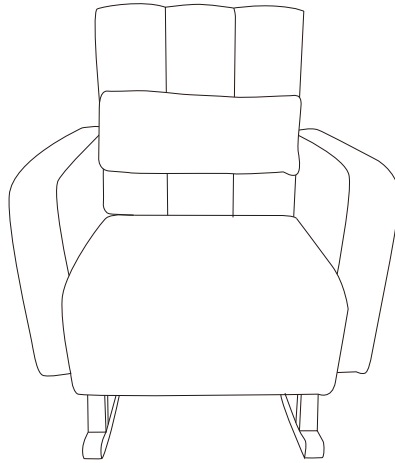
Step 8



Screw 2 pcs Foot Nails() into the holes of Left Leg (E) and Right Leg (F)

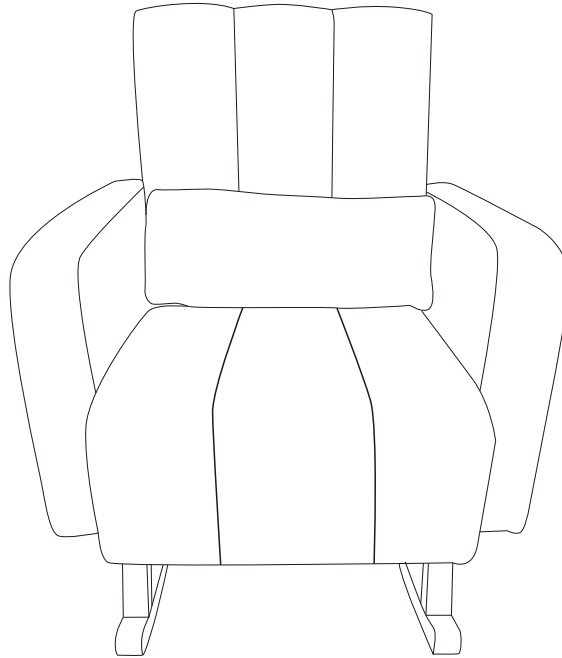
Step 9

Bumbag (1)



Put the Bumbag(1) on the Chair.

Step 10



Your Chair is ready for use.
This Chair can only be used on a flat, level surface.