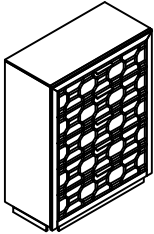


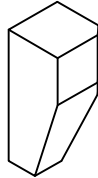
ASSEMBLY INSTRUCTION

A Chest Body



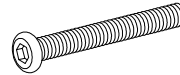
1pc

B Leg
(Under Chest Box)



4pcs

C Bolt
1/4"*57mm



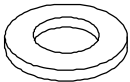
8pcs

D Spring Washer
1/4"*13mm



8pcs

E Flat Washer
1/4"*19mm



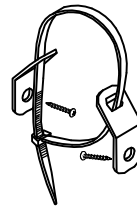
8pcs

F Allen Wrench
4mm

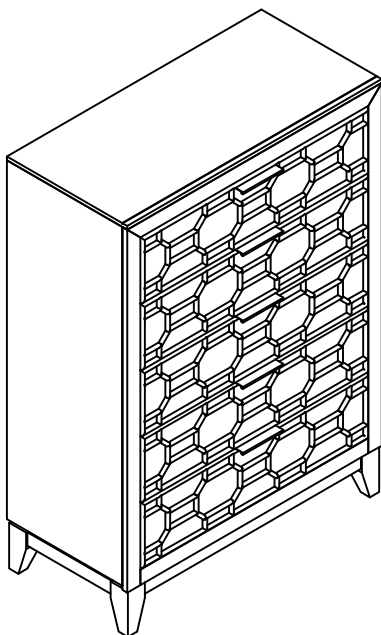


1pc

G Anti-Tipping

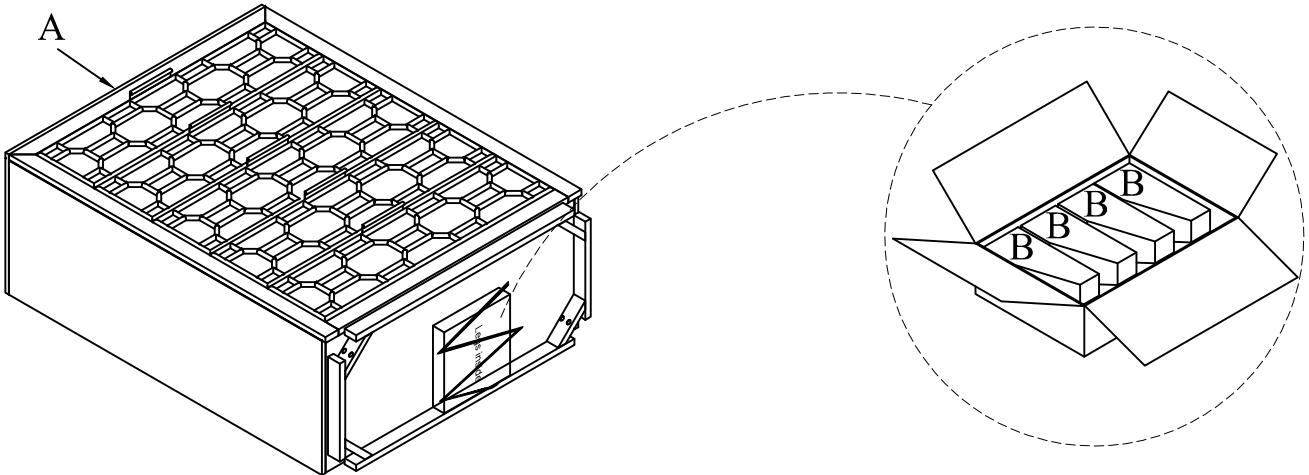


1set

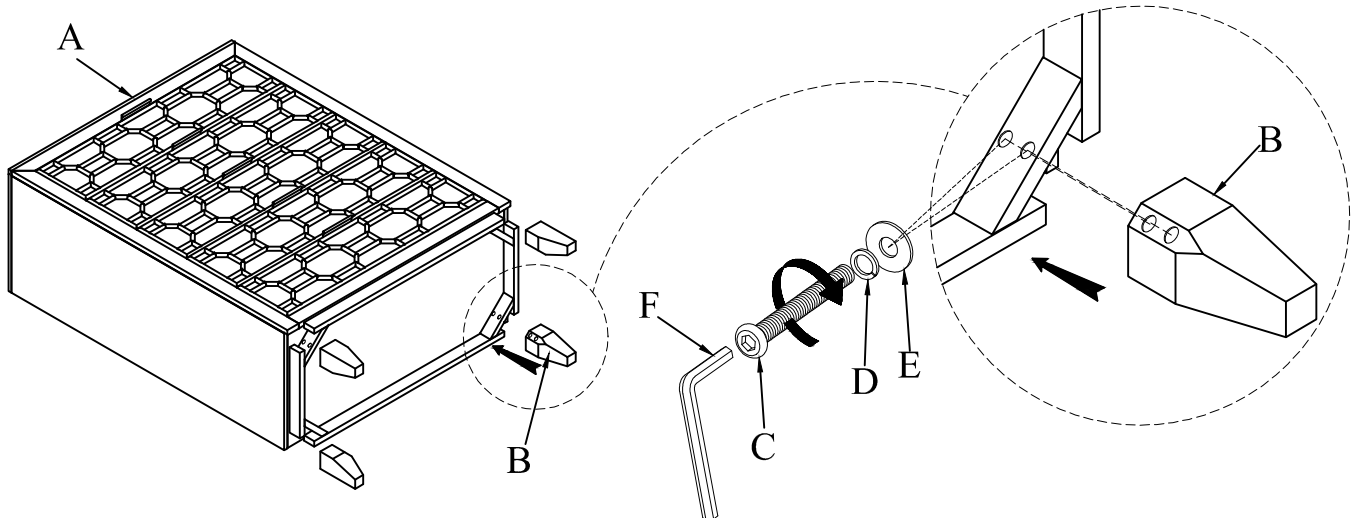


This page lists all the contents included in the box. Please take the time to identify the hardware as well as the individual components to this product. As you unpack and prepare for assembly, place the contents on a carpeted or padded area to protect them from damage.

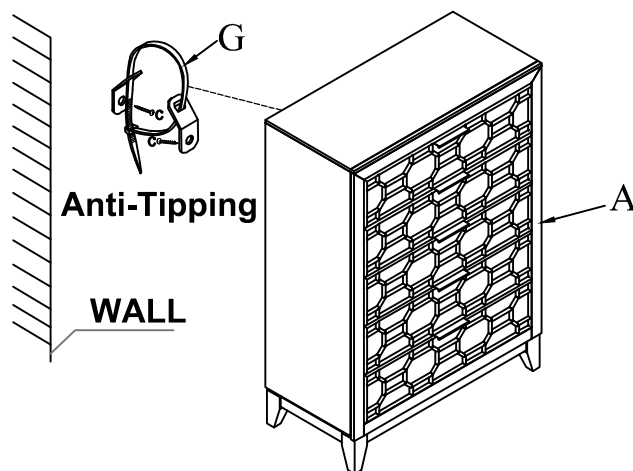
- 1** Tilt down Chest Body (A) to ground and take out the box of Leg (B) from bottom of Chest Body (A).



- 2** Attach the Leg (B) to the Chest Body (A) using Bolt (C), Spring Washer (D) and Flat Washer (E) by Allen Wrench (F).



- 3** * Remark: There is a tip restraint kit provided on the back of this product. Please read the instruction thoroughly on the tip restraint kit and install immediately when placed in home.



ATTENTION

- The drawer is designed to open correctly with one hand pushing the middle of the drawer panel or pushing the two end of the drawer simultaneously .

Cleaning & Care

Treat surface with care. Surface is resistant to scratches but is not scratch resistant. Clean surface with a dry or damp soft cloth. Do not use abrasive cleaners. Hardware may loosen over time. Periodically check that all connections are tight.