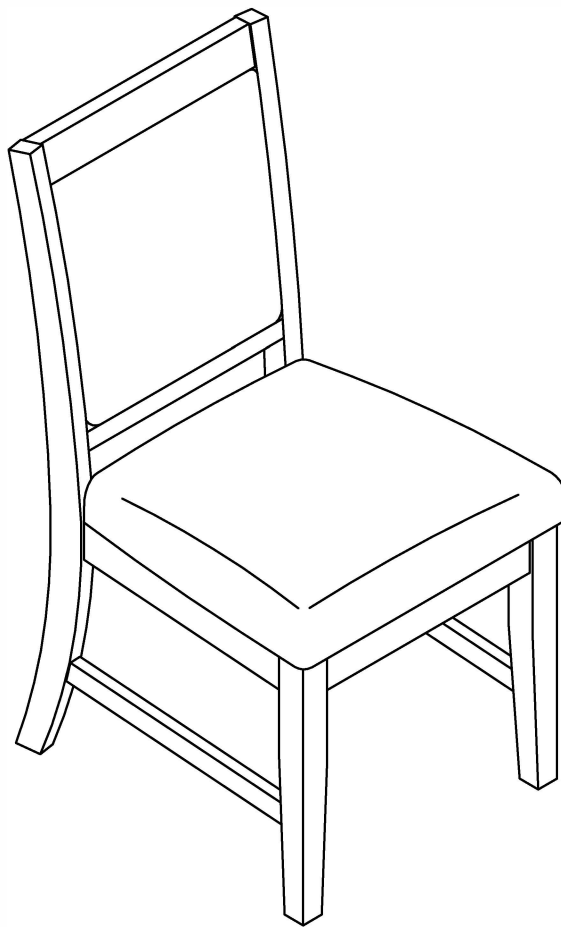
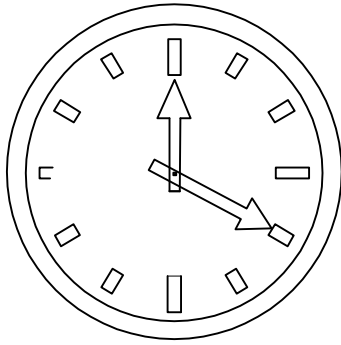


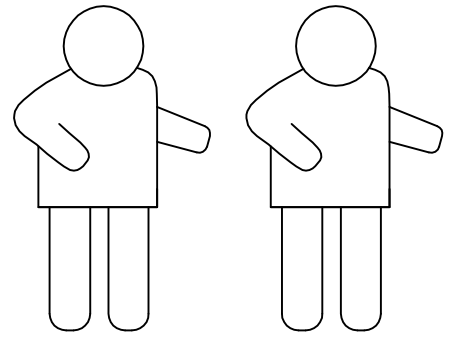
Assembly Instructions

Dining Chair

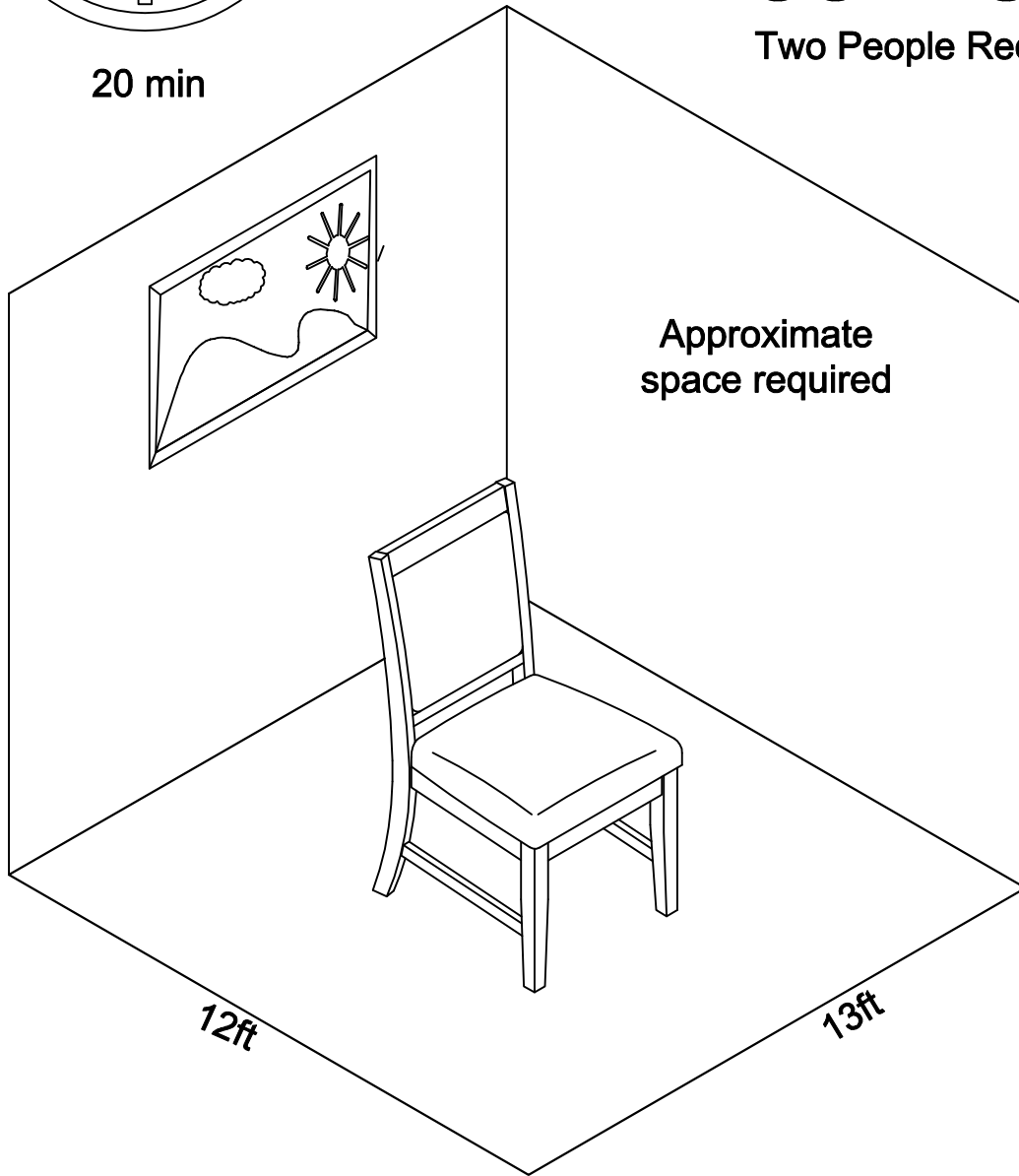




20 min



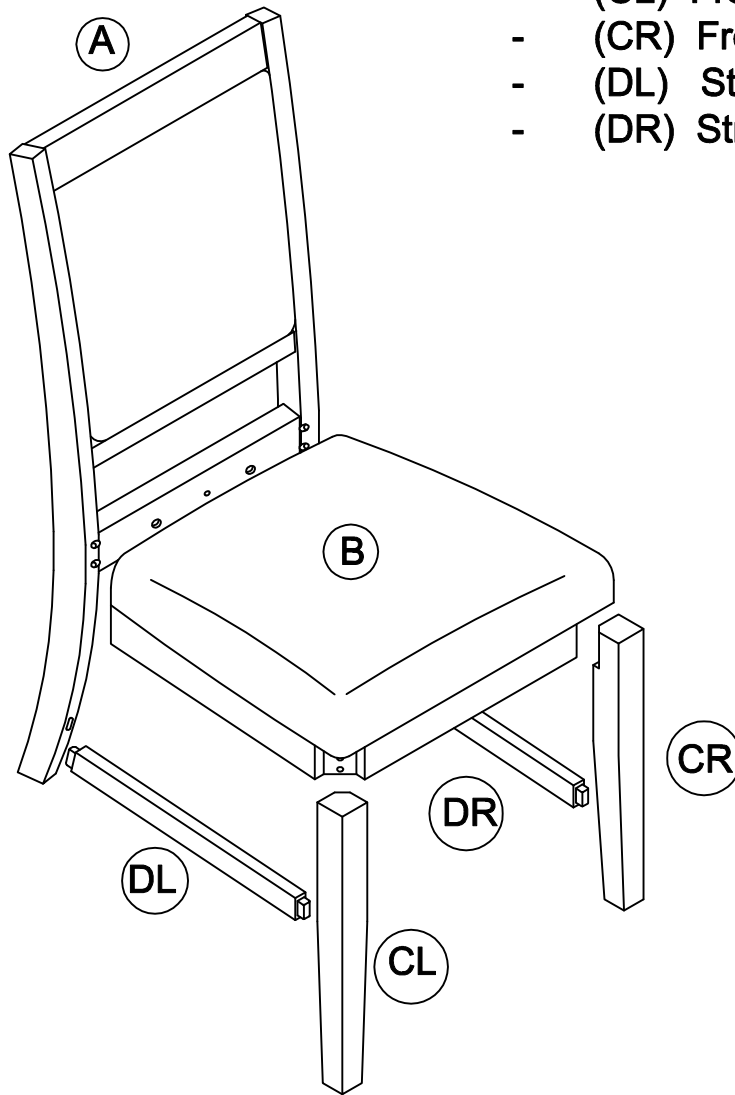
Two People Required







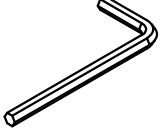
PLAN TO ASSEMBLE BED IN EXPECTED FINAL POSITION
(Do not drag assembled unit across floor)

PARTS INCLUDED:

- (A) Chair Back
- (B) Seat Cushion
- (CL) Front Leg Left
- (CR) Front Leg Right
- (DL) Stretcher Left
- (DR) Stretcher Right



Hardware Pack

<p>(1)</p>  <p>Ø8x75 (mm) : 4pcs</p>	<p>(2)</p>  <p>Ø8x60 (mm) : 4pcs</p>	<p>(3)</p>  <p>Ø8x38 (mm) : 2pcs</p>	<p>(4)</p>  <p>#8x40 (mm) : 4pcs</p>
<p>5</p>  <p>Ø4 : 1 pc x 2</p>			

1

(3) x 2

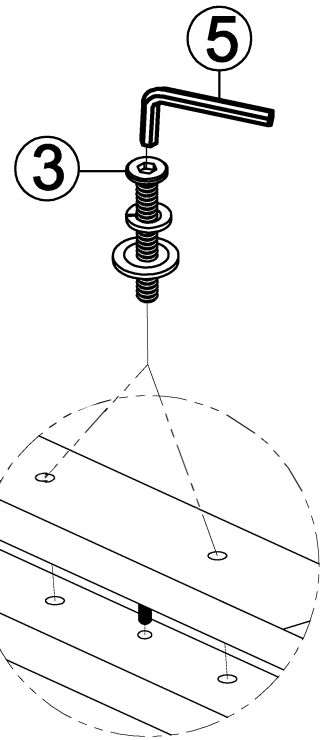
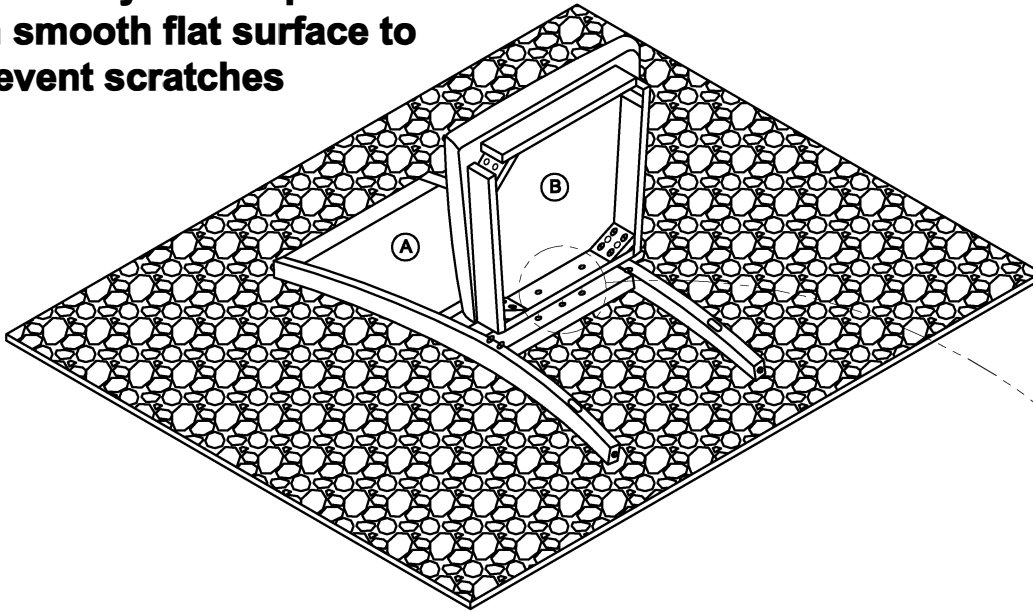


(5) x 1



Ø8x36 (mm)

Please lay all components on smooth flat surface to prevent scratches



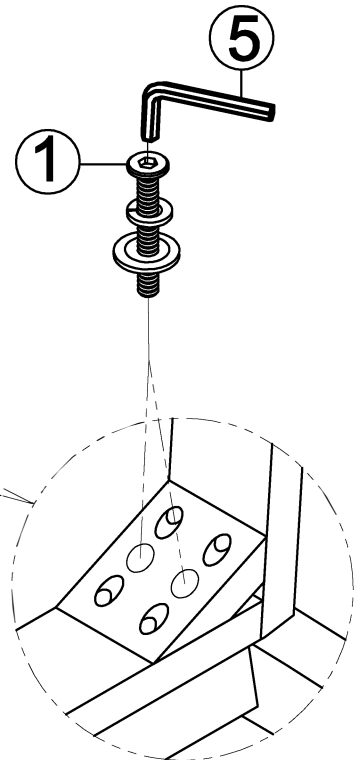
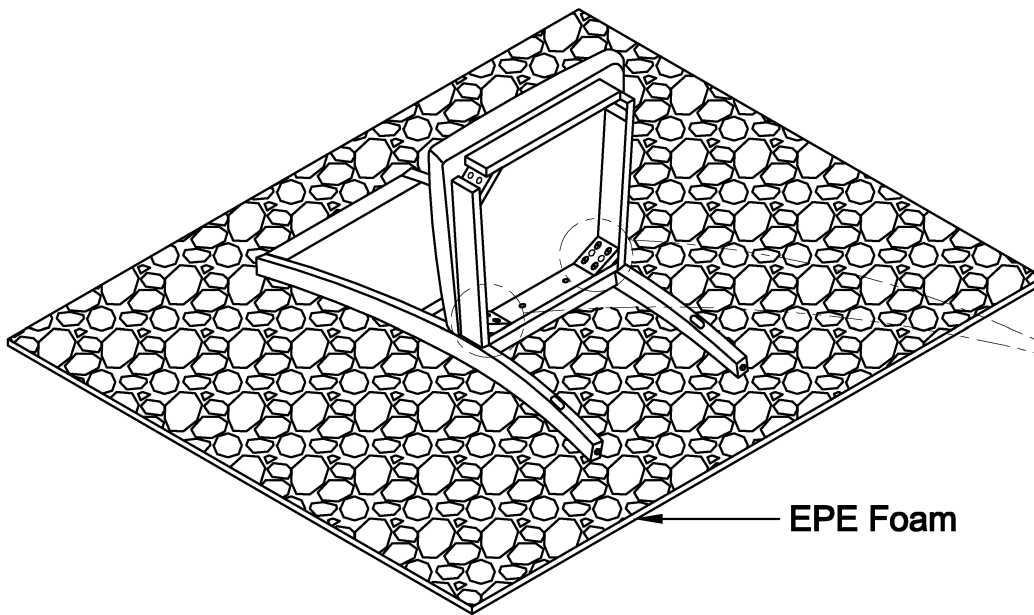
2

(1) x 4



Ø8x75 (mm)

(5) x 1



3

(2) x 4

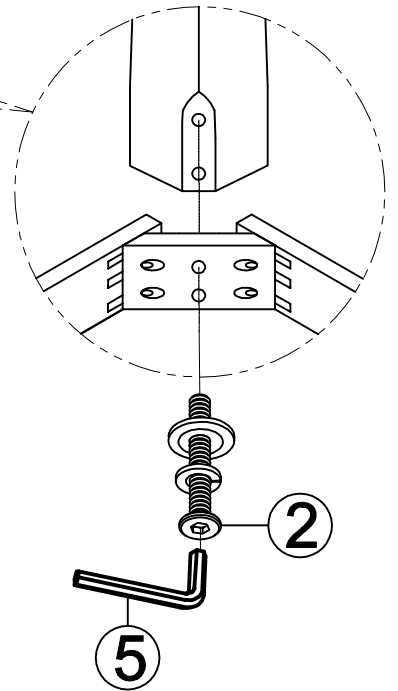
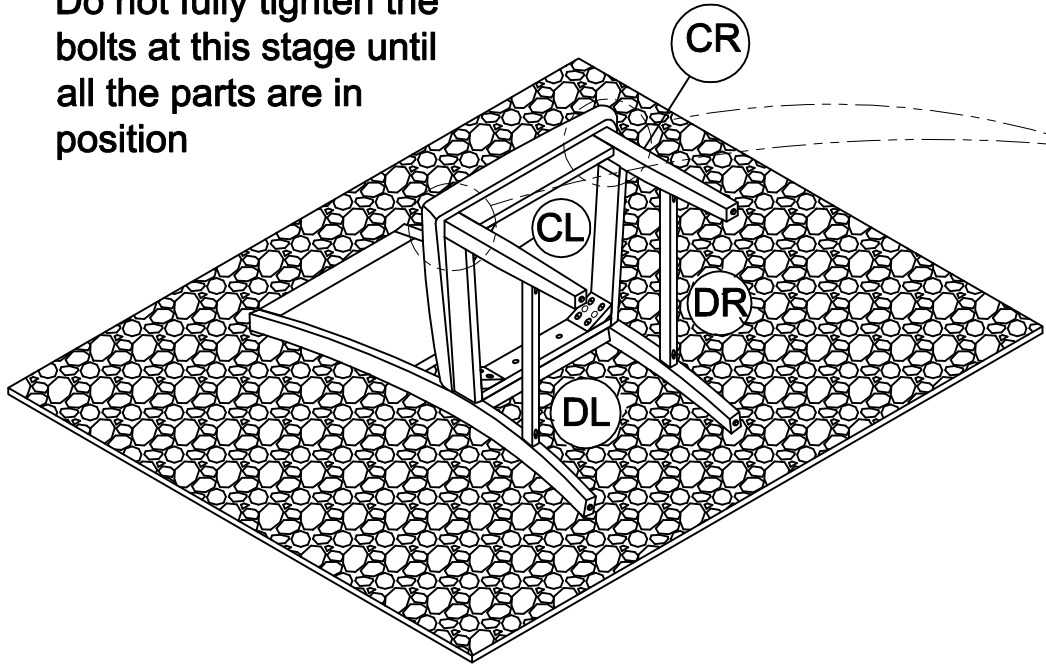


Ø8x60 (mm)

(5) x 1



Do not fully tighten the bolts at this stage until all the parts are in position



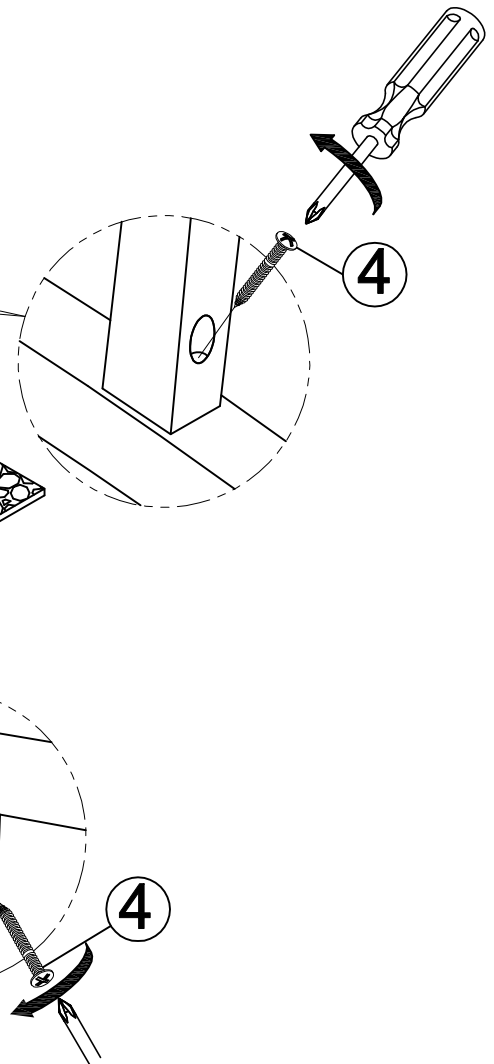
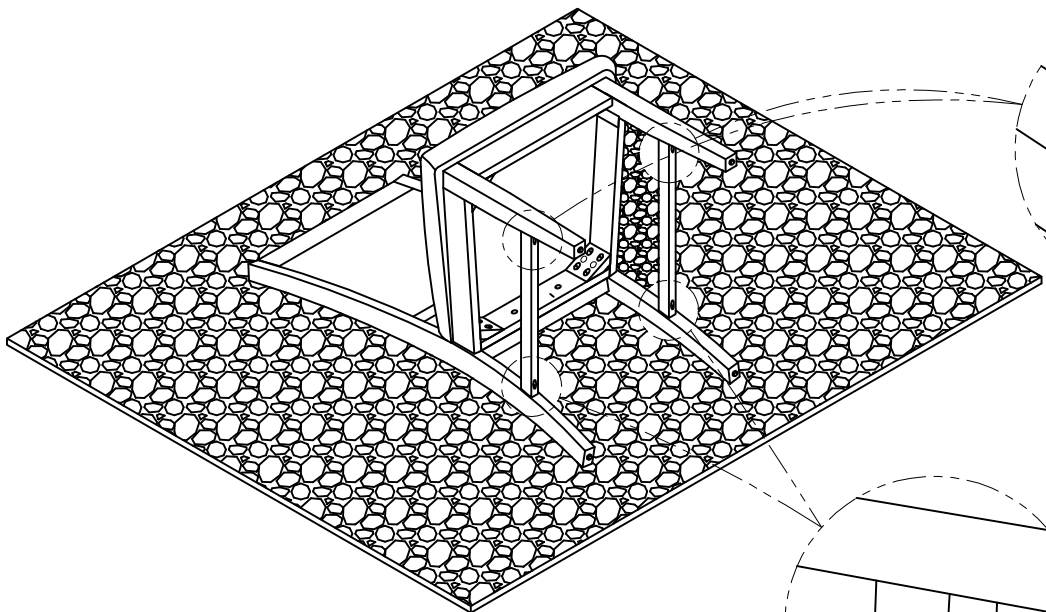
Once all parts in this stage are in position, tighten fully.

4

(4) x 4



#8x40 (mm)



Make sure screw holes are facing towards the bottom of the chair

5-5