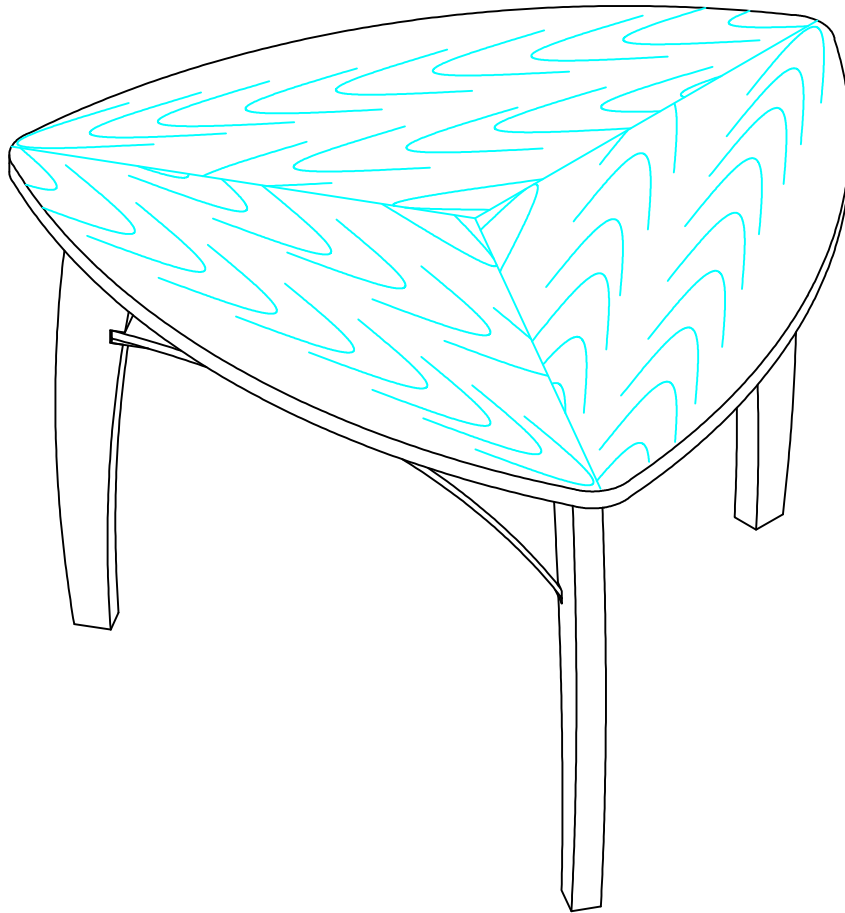


Assembly Instructions



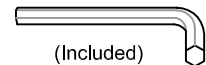
ASSEMBLY RATING

The Assembly Rating is a 5-point system that shows the degree of effort needed in assembling a specific product (with 1 being easy and 5 being difficult). For some products, two persons are recommended.

EASY  DIFFICULT

Tools Required For Assembly:

Allen Wrench



(Included)

Phillips Screwdriver



(Not Included)



2 PERSONS RECOMMENDED

ASSEMBLY & CARE ADVICE

FOR YOUR FURNITURE TO LAST, CORRECT ASSEMBLY AND PROPER MAINTENANCE ARE NECESSARY. PLEASE FOLLOW THE INFORMATION PROVIDED BELOW TO FULLY ENJOY YOUR FURNITURE.

BASIC ASSEMBLY TECHNIQUES



When lock or spring washer is used in an assembly, please make sure the lock or spring washer is placed between the larger flat washer and the head of the screw or bolt.



Position each part correctly and insert screws or bolts into their respective holes by hand tighten or using the proper hand tool. Only tighten when step is completed or when instructed to do so.



Use cardboard or carpet area when assembling furniture to prevent scratches. Make sure the furniture rests on a flat and level surface with each leg evenly touching the floor.



Some furniture comes with height adjustment knobs underneath each leg. To lower or to raise each leg, you need to turn clockwise or counterclockwise, respectively.

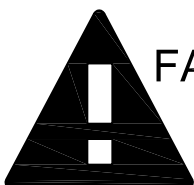


Make sure all parts are properly aligned, then use the appropriate hand tool to completely tighten the bolts or screws. Do not use power tools and do not overtighten.



Save the instructions and store the Allen wrench or any supplied tool for later maintenance. After two weeks, check and tighten any loose hardware and repeat again every six months thereafter.

IT IS THE USER'S RESPONSIBILITY TO MAINTAIN THE FURNITURE. THE HARDWARE MAY LOOSEN OVER TIME AND MAY CAUSE THE FURNITURE TO BE WOBBLY AND UNABLE TO SUPPORT ITS INTENDED WEIGHT CAPACITY. THIS MAY LEAD TO COLLAPSE AND MAY CAUSE SERIOUS INJURY.



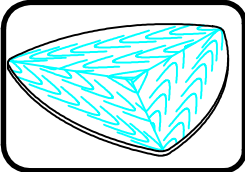
FAILURE TO FOLLOW THE GUIDELINES ABOVE MAY RESULT IN INJURY AND/OR PROPERTY DAMAGE.



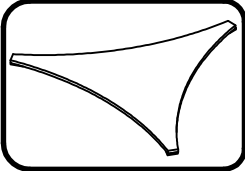
Before you begin, please read Page 2 of "Assembly and Care Advice".

And remember, do not tighten until each step is completed or instructed.

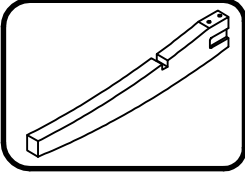
Parts List



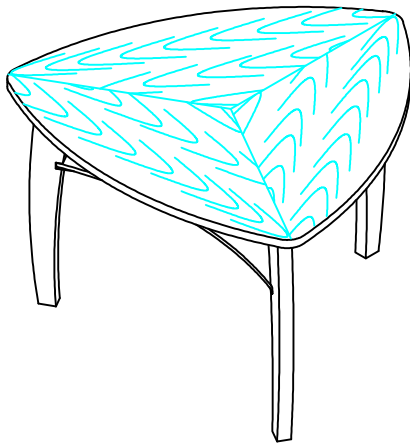
#1 x 1pc
Table Top



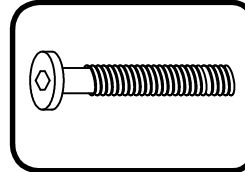
#2 x 1pc
Shelf



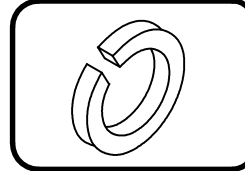
#3 x 3pcs
Leg



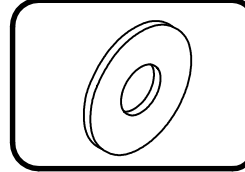
Hardware List



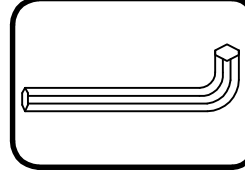
#A x 6pcs
Bolt 5/16 x 3"



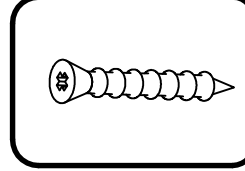
#B x 6pcs
Lock Washer



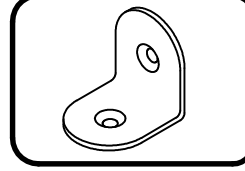
#Cx 6pcs
Flat Washer



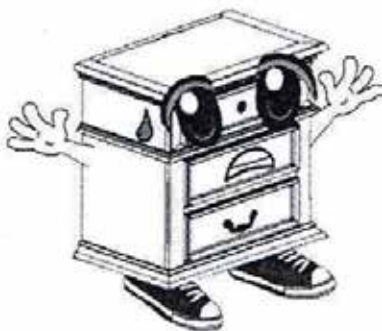
#D x 1pc
Allen wrench



#E x 6pcs
Screw M4 x 38mm



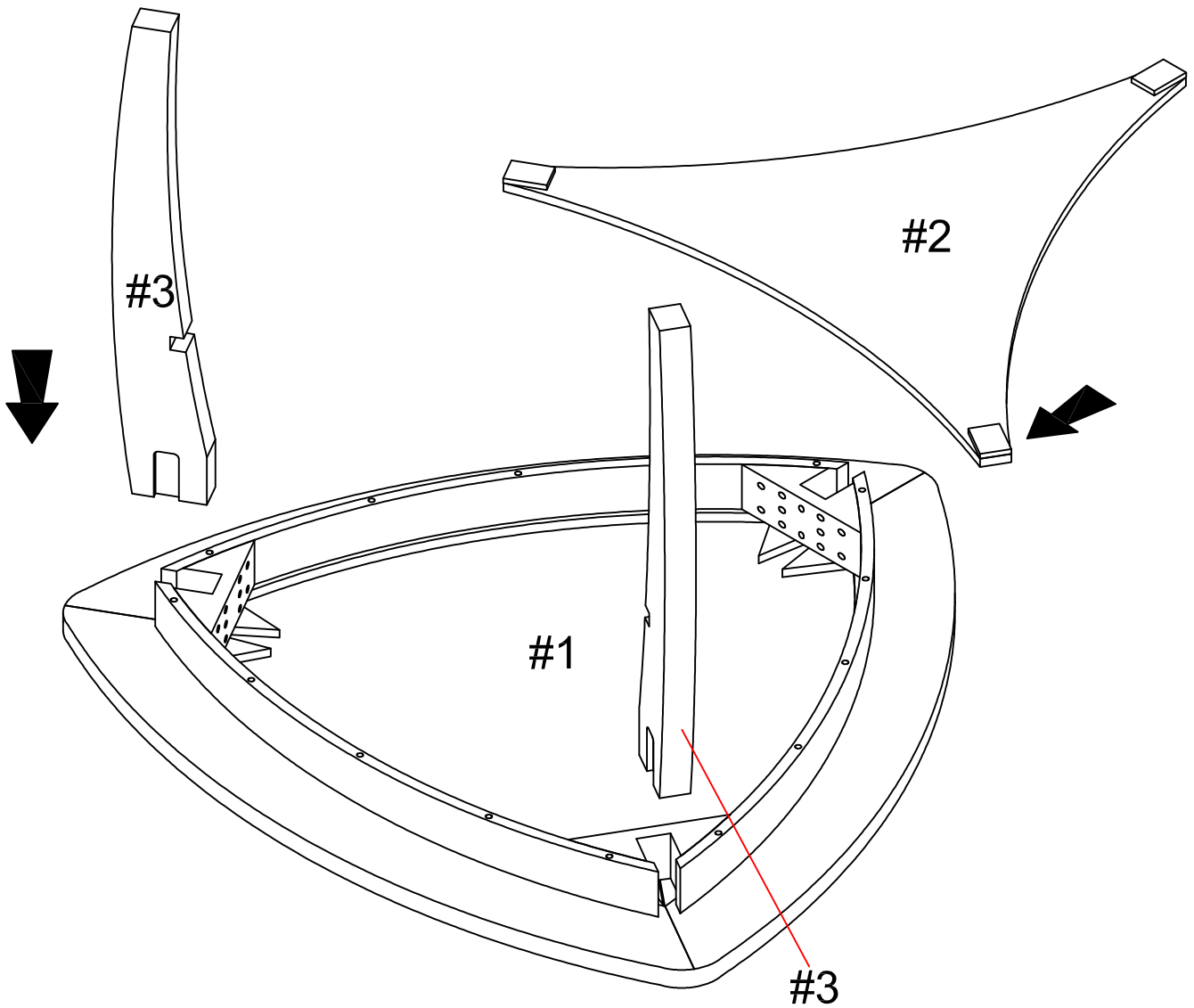
#F x 3pcs
Bass L



Due to the size and/or weight of this product, it is highly recommended that the assembly should be done near the area of its intended location. Make sure you have enough space to move around during the assembly. ALWAYS have at least two people to help with transporting and assembling the product to avoid any potential injury and/or damage.

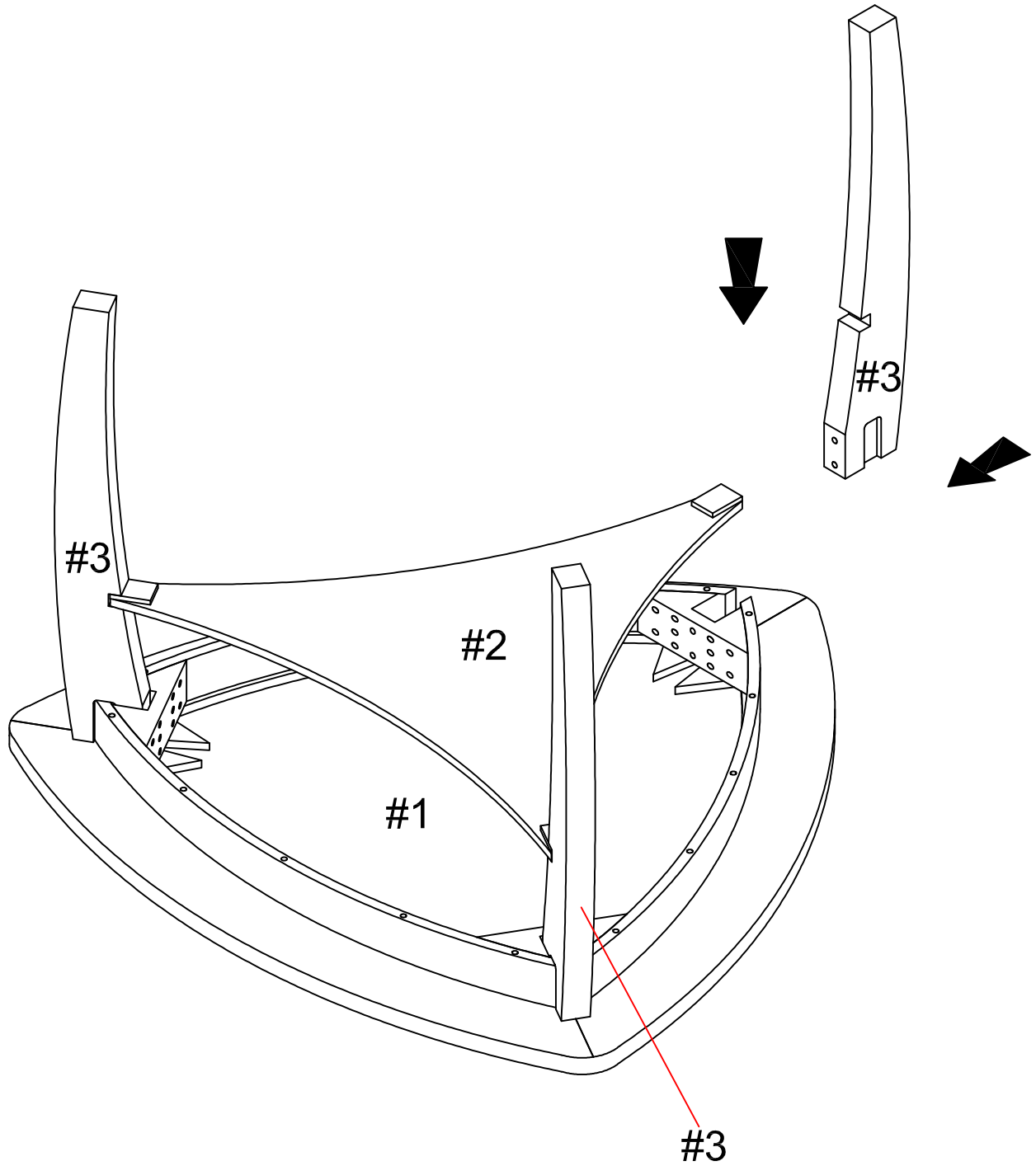


- I. With the help of another person, carefully place the table top (#1) facing down on a protected surface.
- II. Insert two legs (#3) into the designated slots located under the table top (#1).
- III. Insert the shelf (#2) into the slots located along the sides of the legs (#3).



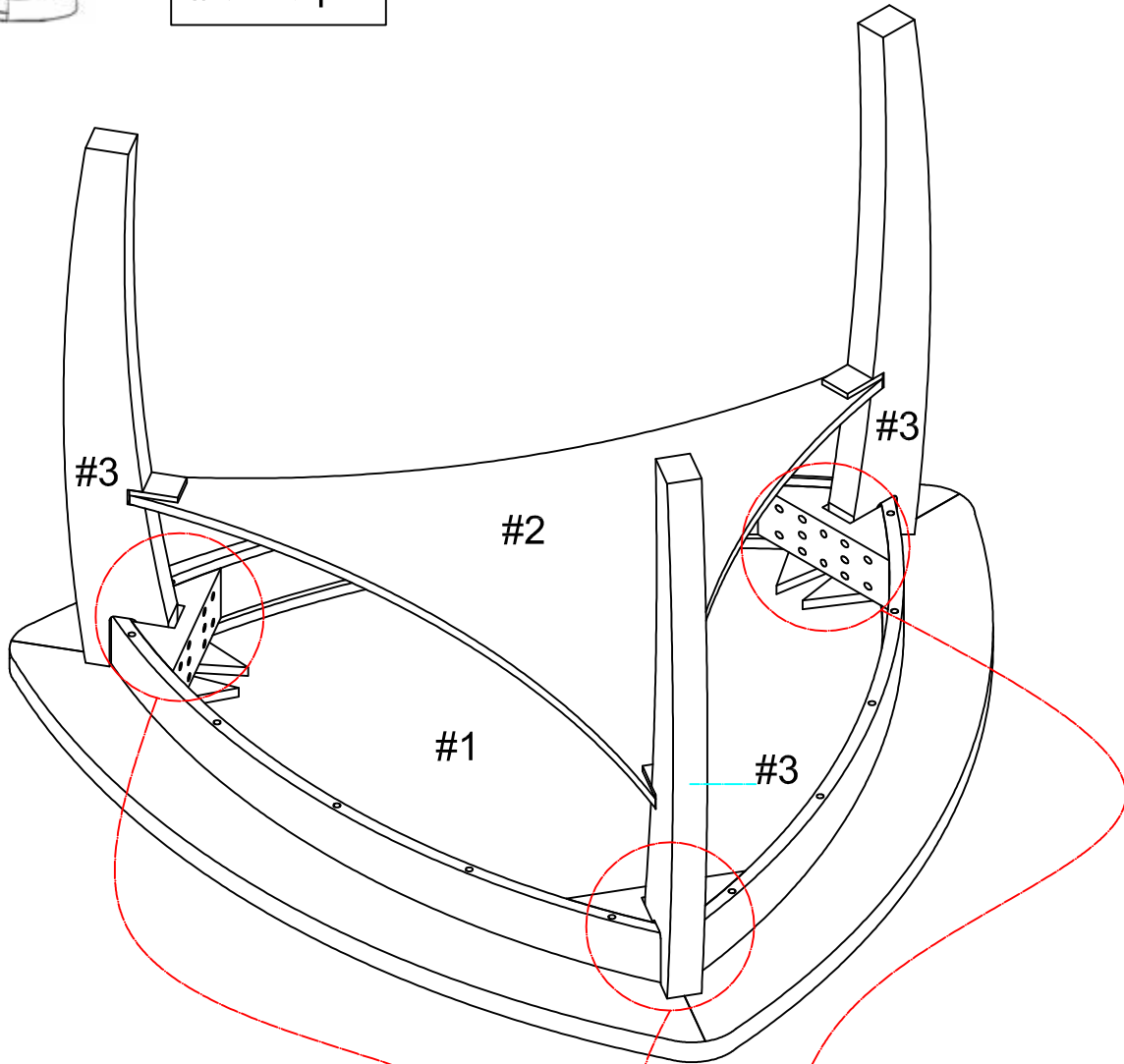


Insert the third leg (#3) into the designated slot located under the table top (#1), as well as inserting it into the the shelf (#2). Make sure all parts are firmly secure.

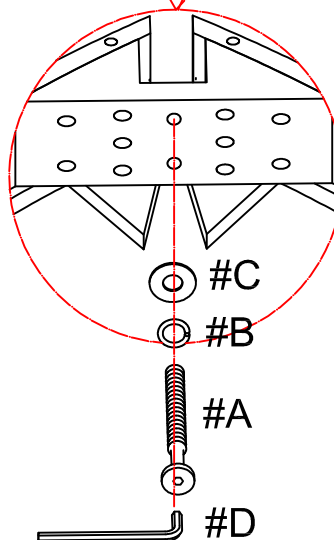




#A x 6 pcs
#B x 6 pcs
#C x 6 pcs

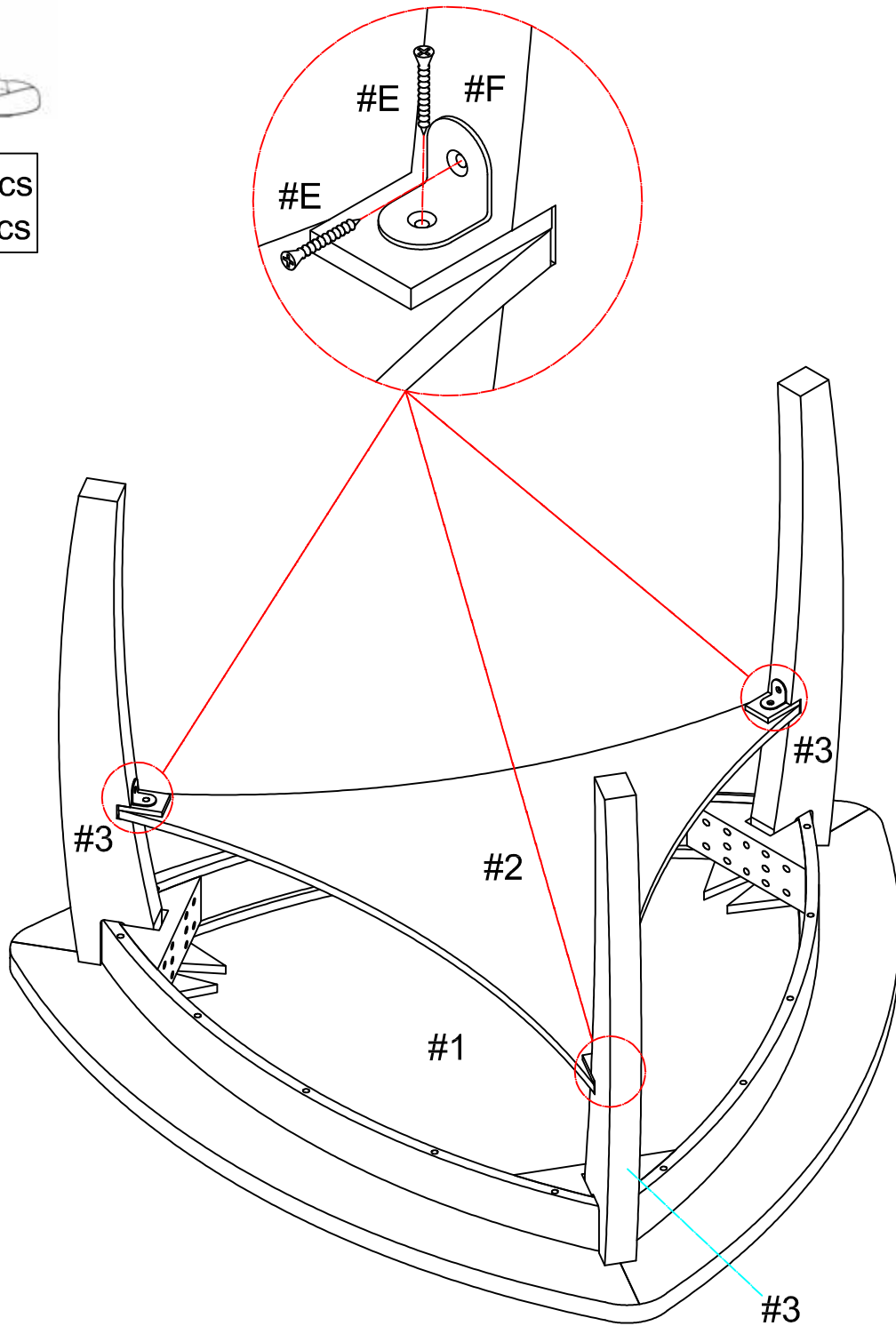


- I. Prepare 6 bolt assemblies by FIRST inserting the lock washer (#B) onto the bolt (#A) and the the flat washer (#C) onto that SAME bolt (#A), in that order.
- II. Insert prepared bolt assemblies into the center pre-drilled holes and secure using the Allen wrench (#D).





#E x 6 pcs
#F x 3 pcs



- I. Align the bass L (#F) with the pre-drilled holes on the corners where the shelf (#2) and legs (#3) meet.
- II. Insert screws (#E) and secure using a Phillips screwdriver. Repeat with remaining screws (#E).
- III. Carefully turn the completed table upright. Make sure the table is rested on a flat surface and does not feel loose or wobbly. If it does, double check that the bolts are secured and properly tightened.

ASSEMBLY IS COMPLETED