

Armless Home Office Chair



Missing parts, damages, and any problems in the installation process, please contact us by text or email. Please choose SMS or email as your first choice for communicating with us.

Parts list

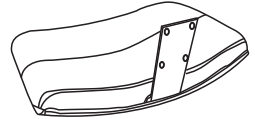
(1) A x1



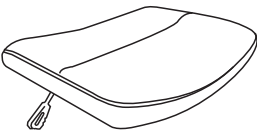
(2) B x1



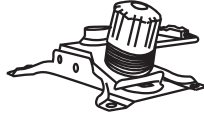
(3) C x1



(4) D x1



(5) E x1



(6) F x1



(7) G x1



(8) H x4



M6x25mm

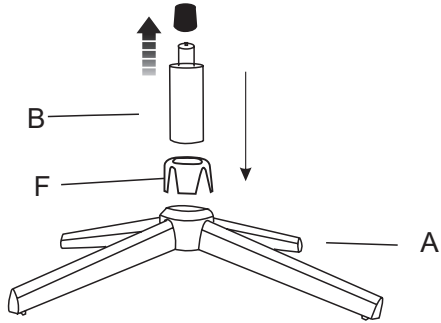
(9) I x4



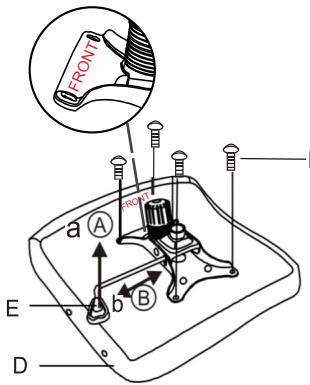
M6x16mm

Installation steps

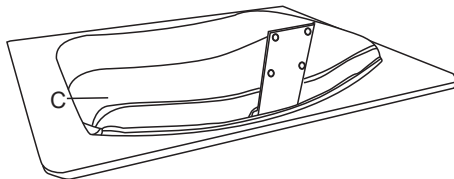
①



②



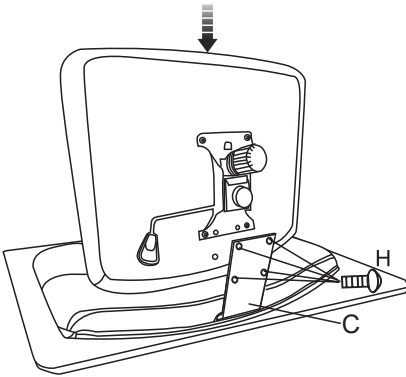
③



Put the backrest on a flat

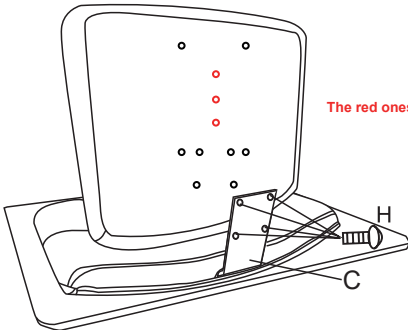
Installation steps

④



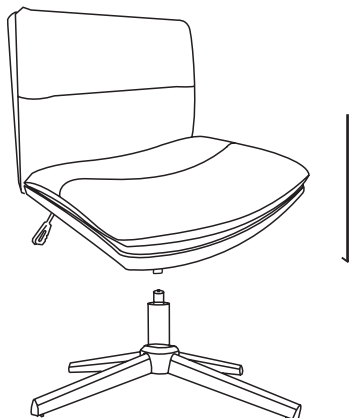
Install the backrest as shown in the picture, then install the screws **we suggest team work for this part installation**

Attention: Owing to the soft materials we had filled in the chair which would improve the comfort and aesthetics ability of the chair. Please press the seat toward to backrest manually until the 4 screws could be matched and aligned together

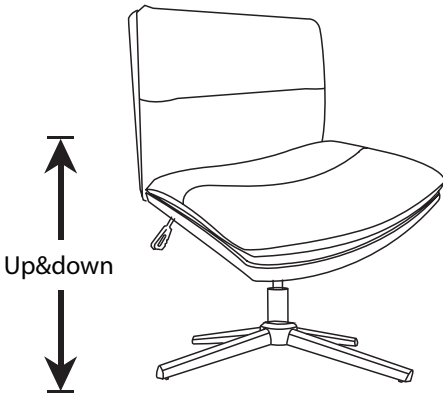


The red ones are breathable holes, please do not install screws

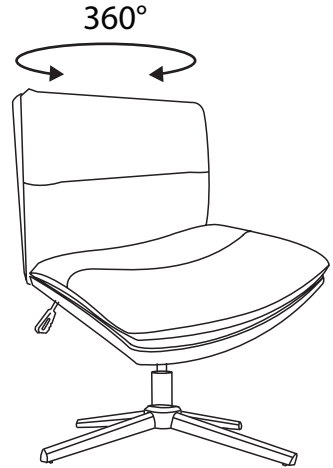
⑤



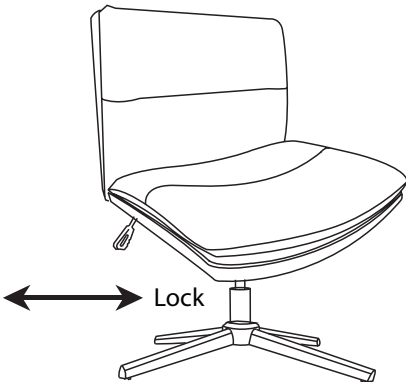
Function



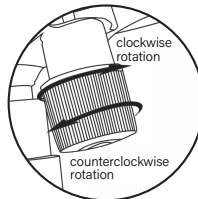
1.Height Function
Seat height adjustment



3.Rotation Function
360 degree swivel



2.Rocking Function
Pull out the handle to start
rocking.Insert to stop rocking



4.Rocking Adjustment Function
The tighter the knob is turned,
the less shaking it is, and vice
versa

1.

Q: I found that there is a large gap between the chair cushion and backrest after I finished the installation, they are not aligned well, what should I do?

A: You can refer to step 4, loosen the screws first, then adjust the chair until the gap does not exist. Finally, lock the screws between the fixed chair cushion and seat back.

2.

Q: How to take off the protective cover on the gas lift?

A: The protective cover is difficult to remove due to transportation squeeze, thus you can try harder to take off it. If it doesn't work, you can use tools to cut it down, but please be careful, prevent hurt yourself and the inner part of gas lift.

3.

Q: What to do if the chair makes a noise?

A: The chair noise is due to the mechanism. When the chair noise occurs, you can first try to pull out the lever under the cushion to unlock the chair, the chair noise will disappear. If the noise is still there, please contact us and we will send you a new replacement part.

4.

Q: The chair doesn't stay at the height I want, and sunk when I sit on it. What should I do?

A: This problem can be solved by replacing the gas lift. Please find our YouTube channel([vitessegaming](#)), we uploaded the video of gas lift moving process (named: remove the gas lift). If you can't solve the problem even with the help of the video, please contact us and we will send you a new replacement part.

Please feel free to **send us the text or email**. We will reply to you within 24 hours. Also please feel free to contact us if you have received the defective items. Please give priority to using email to communicate with us.

Follow our YouTube Channel then you will be able to find our **assembling video** as a pinned video.