

EU/UK  
CE/UACK



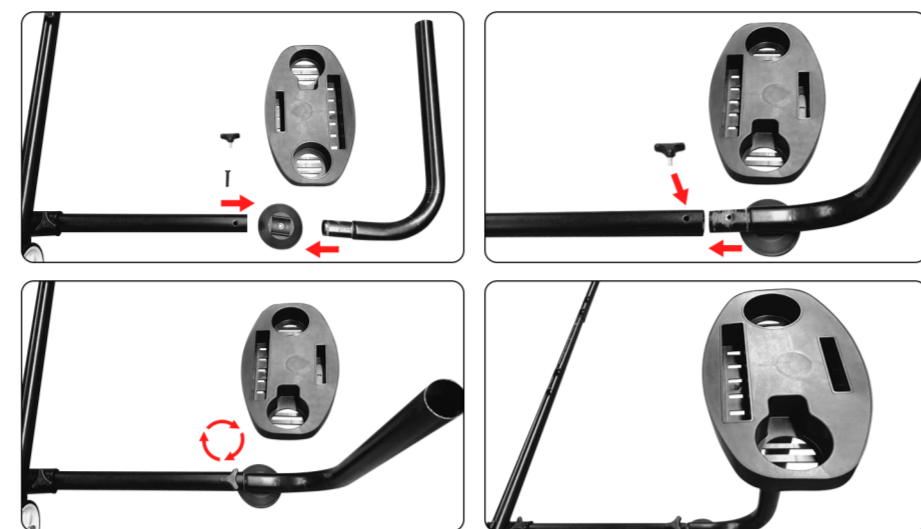
MADE IN CHINA

Brand official website  
[www.Garpans.com](http://www.Garpans.com)

Service mailbox  
[service@garpans.com](mailto:service@garpans.com)

### Step 6

install No.L into the assembly in step 5 and tighten it



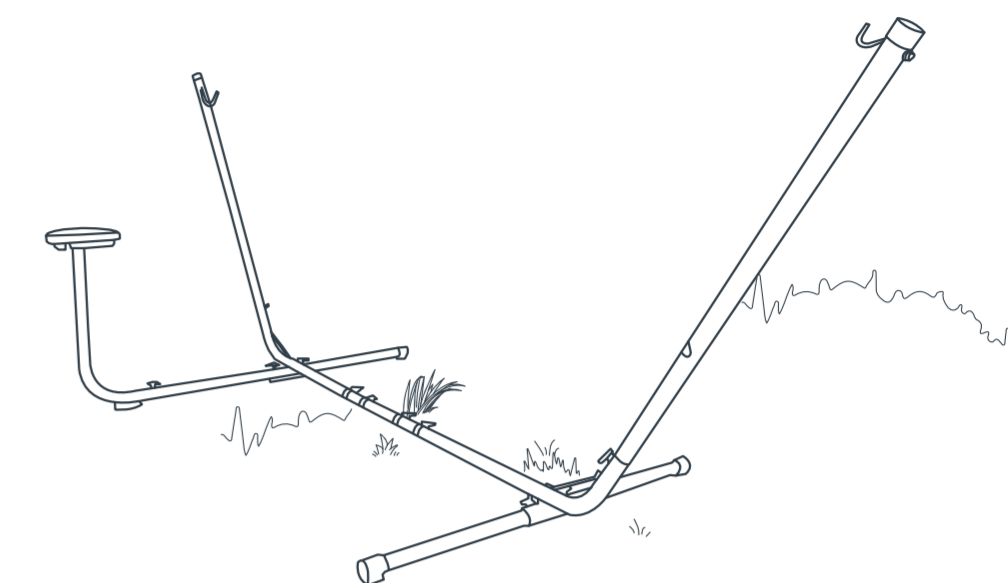
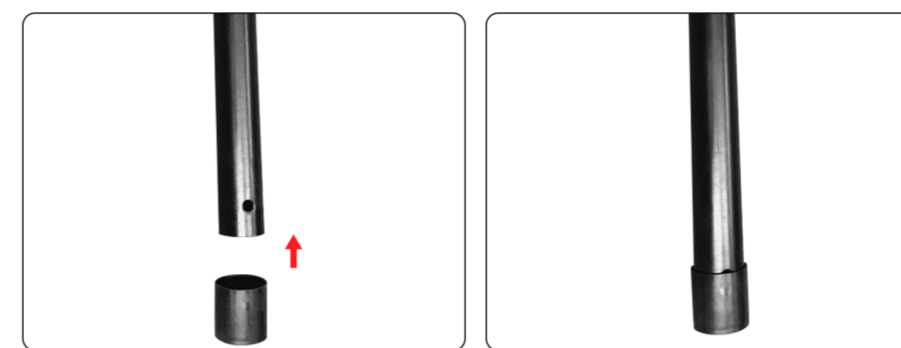
### Step 7

install No. K into the assembly in step 6, and tighten the nut



### Step 8

add plastic pad - stable and noise reduction



## HAMMOCK STAND

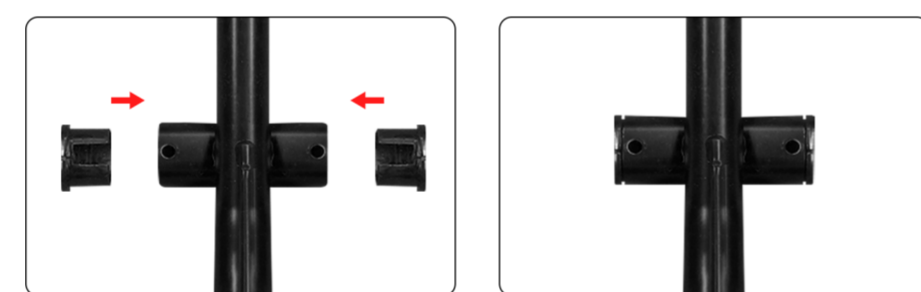
User Manual

MODEL: SKUJ50276

(A)x2	(B)x2
(C)x4	(D)x4
(E)x2	(F)x1
(G)x12	(H)x3
(I)x6	(J)x2
(K)x2	(L)x1

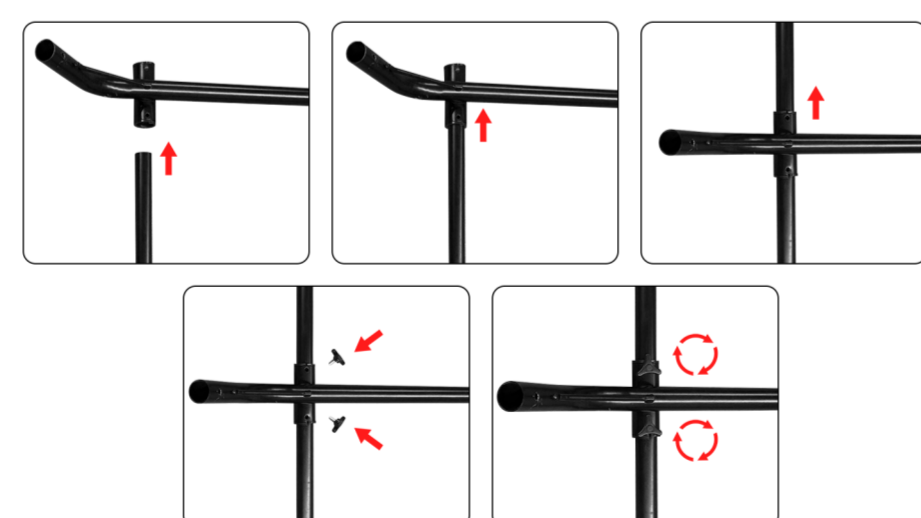
### Step 1

install No. D into the round holes on both sides of No. A



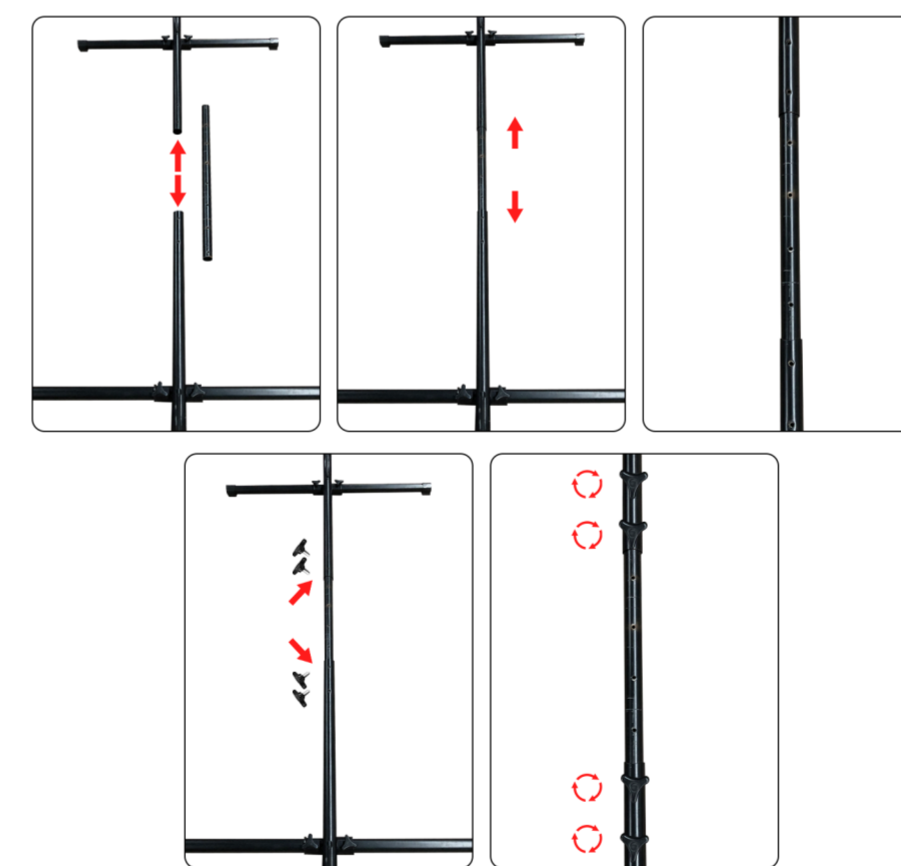
### Step 2

install No. B on both sides of No. A and tighten with No. G



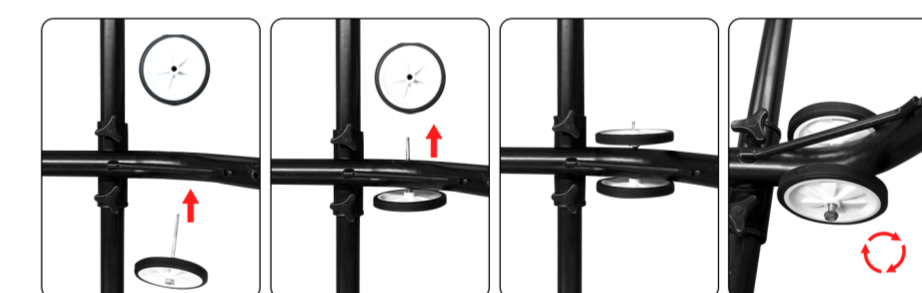
### Step 3

install No. h into the assembly in step 2 (No. i-buffer ring is required), 3-4 holes can be reserved in the middle, and tighten with No. G



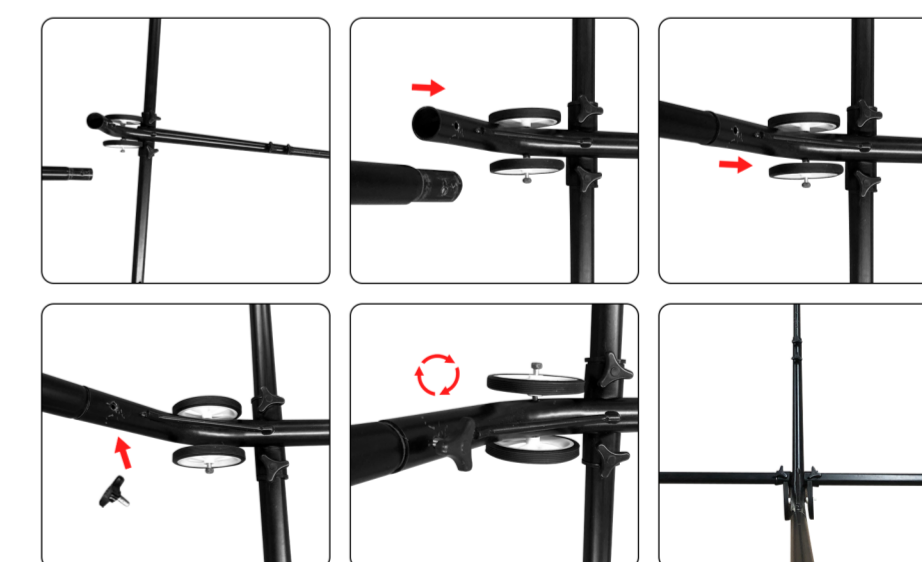
### Step 4

install No. E and f into the assembly of step 3, and tighten the nut



### Step 5

install No. J into the assembly of step 4 (it is necessary to put on No. i-buffer ring) and tighten it with No. G



▲ 型号/SKU

SKUJ50276

▲ 产品名称

吊床支架

▲ 包装尺寸

144x150mm

▲ 材质&工艺

157G铜版纸+折页



设计稿: 2022-08-15