

ASSEMBLY INSTRUCTION

ASSEMBLY TIPS:

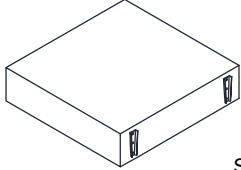
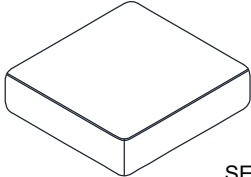
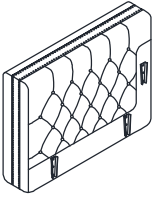
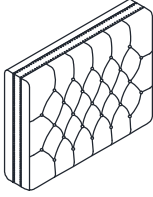
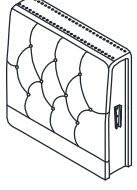
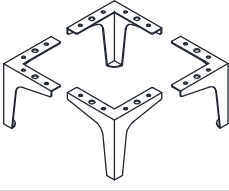
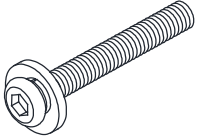

- 1.Remove hardware from box and sort by size.
- 2.Please check to see that all hardware and parts are present prior to start of assembly.
- 3.Please follow attached instruction in the same sequence as numbered to assure fast & easy assembly.



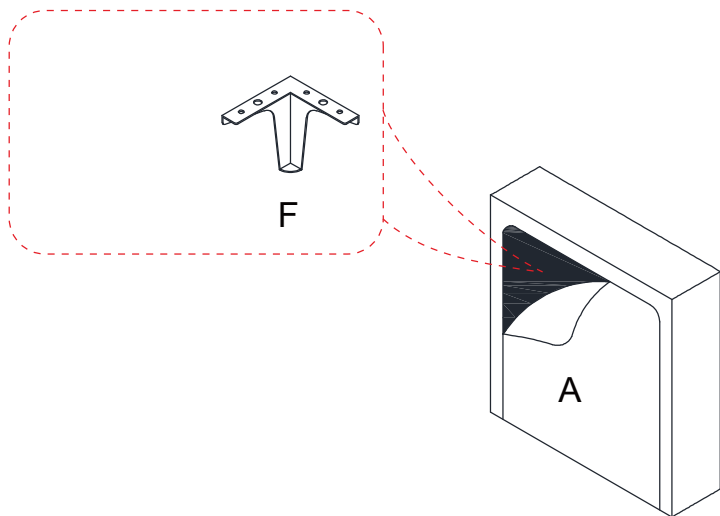
Warning!

- 1.Don't attempt to repair or modify parts that are broken or defective. Please contact the store immediately.
- 2.This product is for home use only and not intended for commercial establishment.

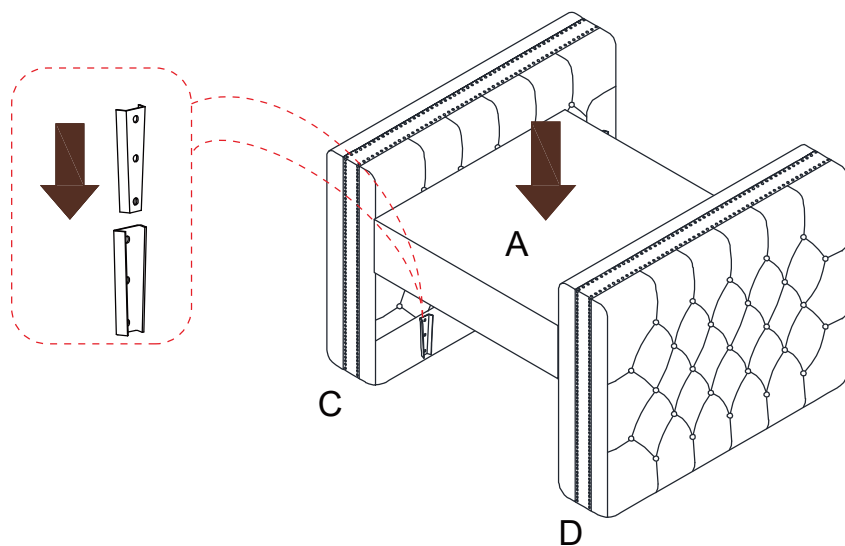
PARTS IDENTIFICATION

A	 <p>SEAT FRAME</p>	1pc		 <p>SEAT CUSHION</p>	1pc
C	 <p>LIFT ARM</p>	1pc	D	 <p>RIGHT ARM</p>	1pc
E	 <p>BACK FRAME</p>	1pc	F	 <p>LEG</p>	4pcs
G		1pc	H	 <p>BOLT</p>	8pcs
I	 <p>ALLEN KEY</p>	1pc			

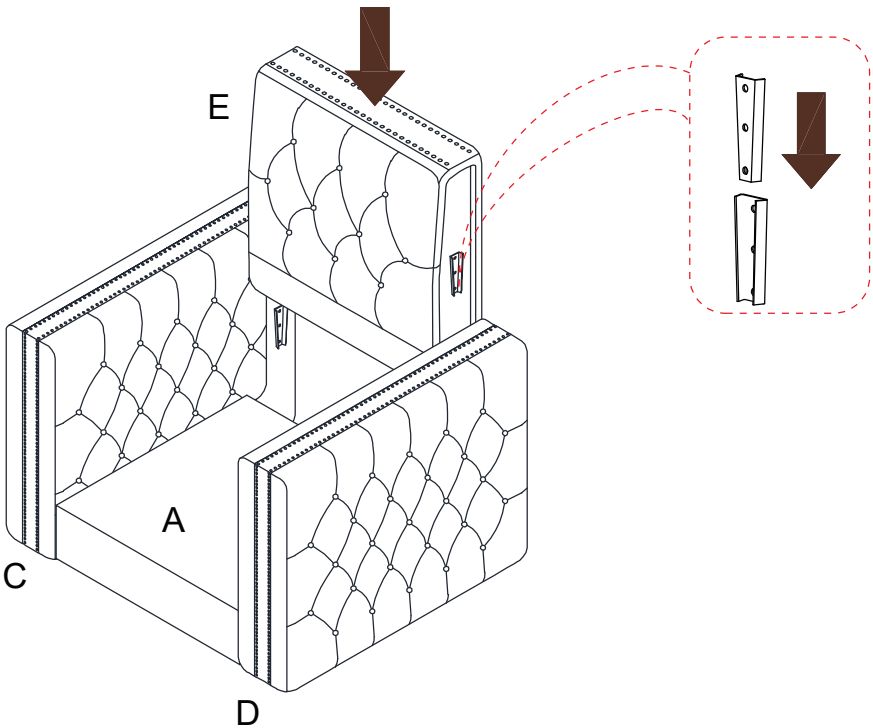
STEP1:



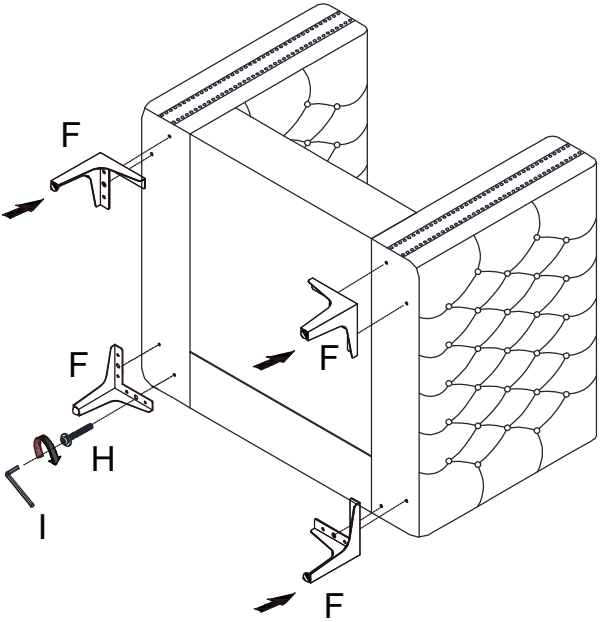
STEP2:



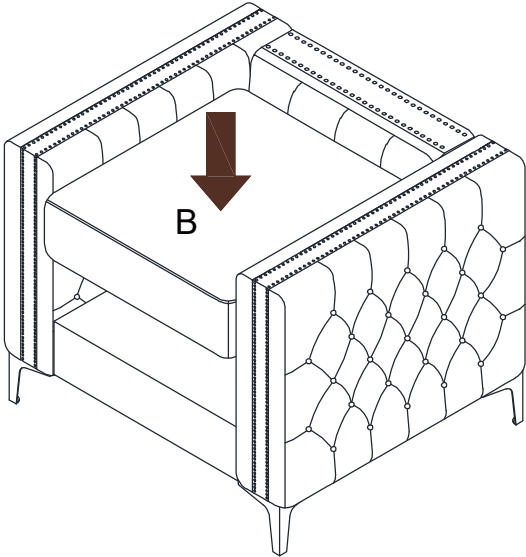
STEP3:



STEP4:



STEP5:



STEP6:

