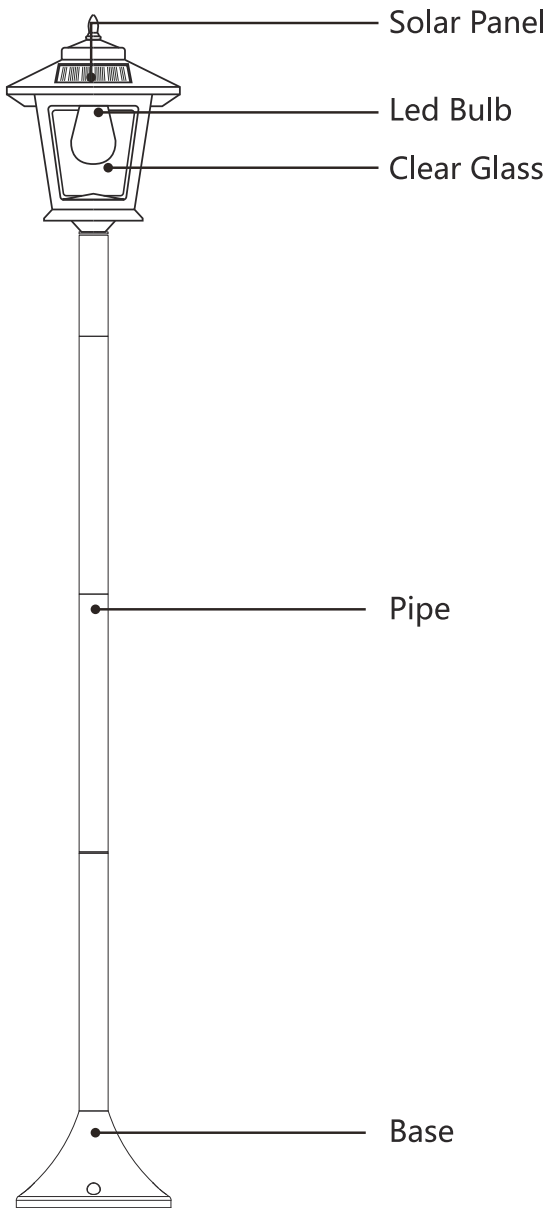
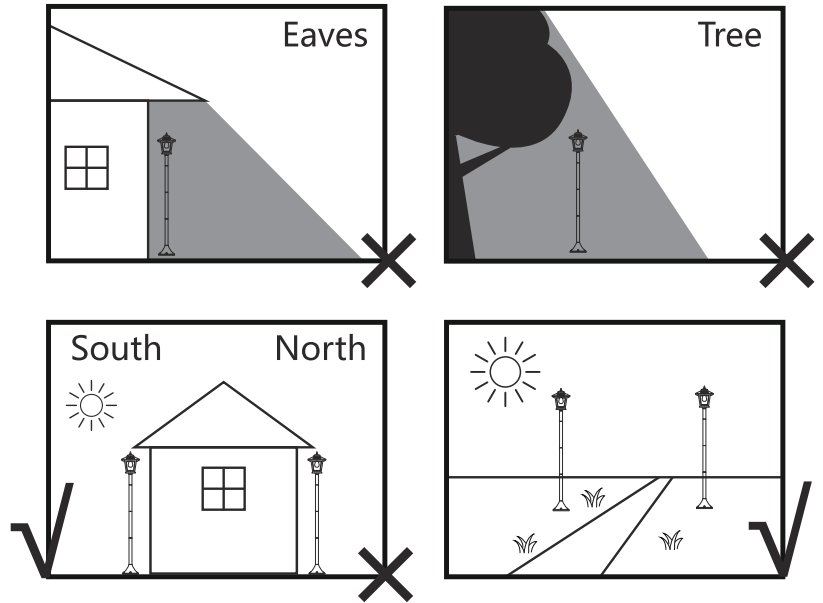


Solar Lamp Post Lights

Accessories

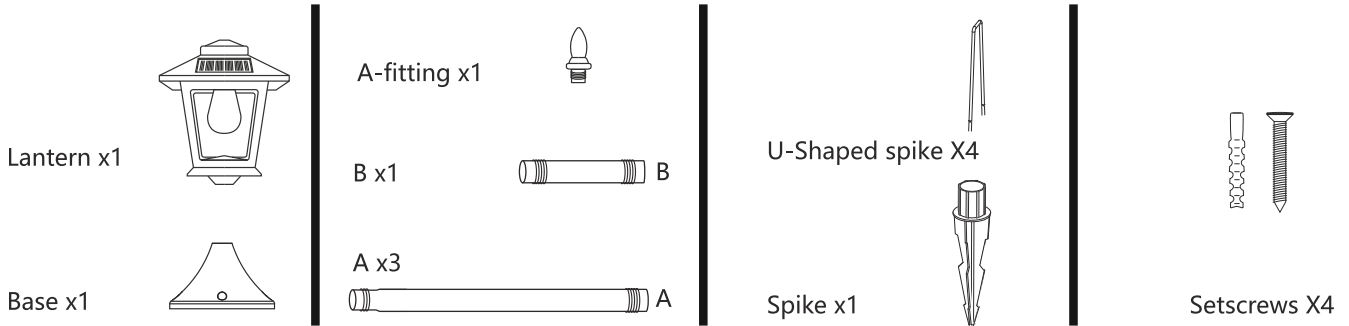


Charging Location

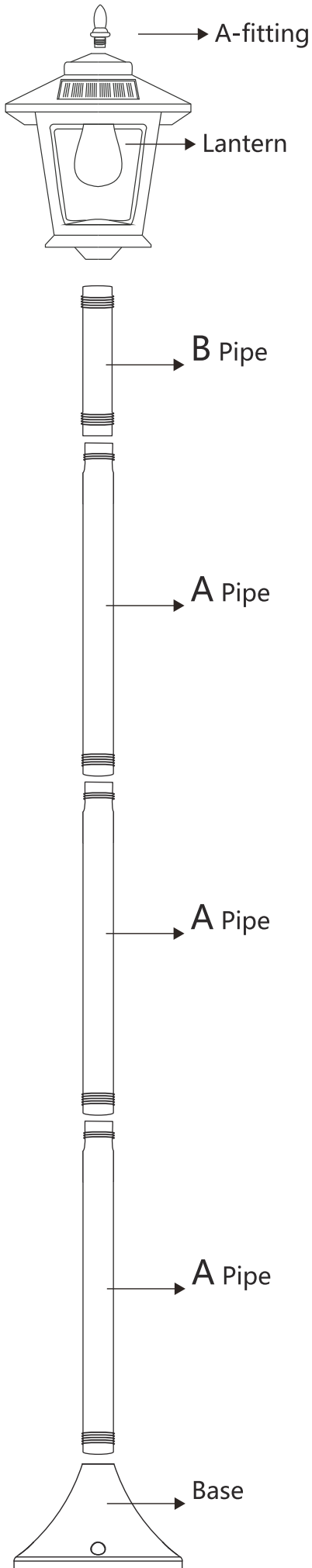


Keep solar post light receiving direct sunlight. Do not be covered by obstructions like eaves, trees, cars, parasols.

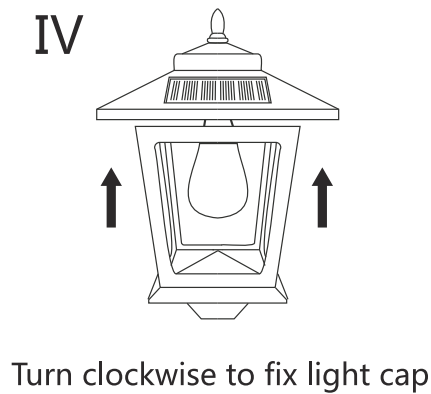
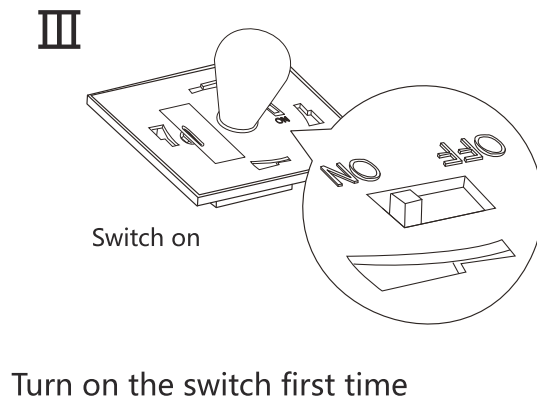
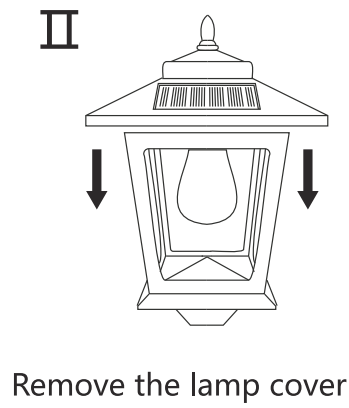
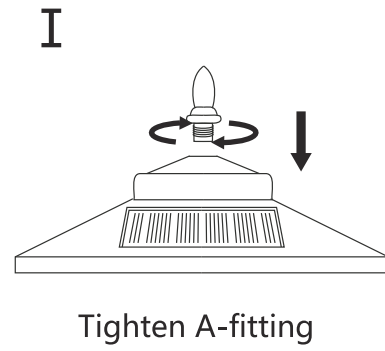
Package Content



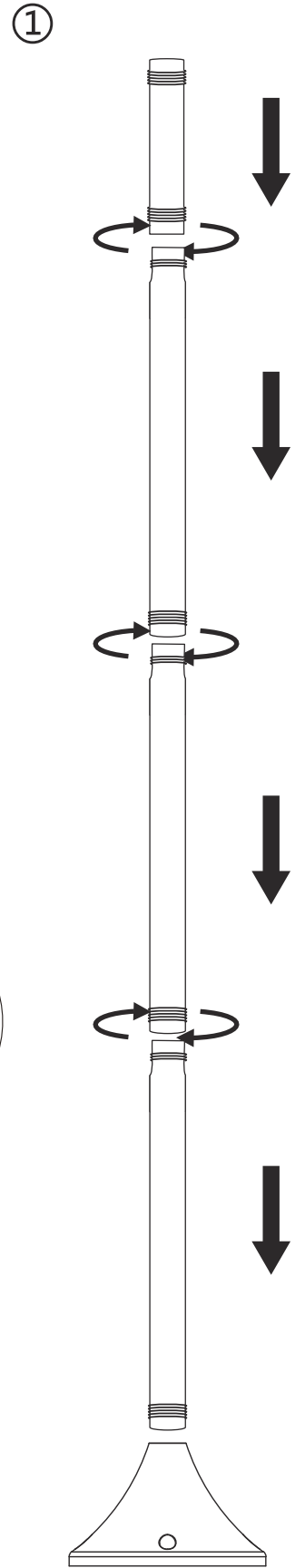
Lamp Assembly



Lamp Assembly



Pipe Assembly

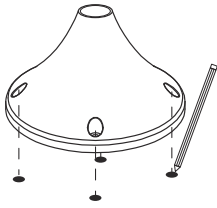


Connect pipe with base.

Base Assembly

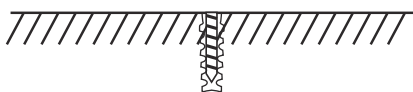
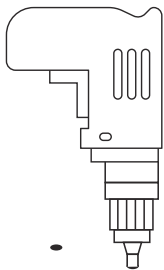
ON CONCRETE

②



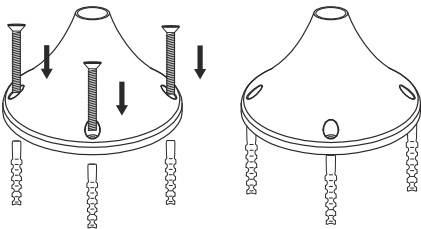
Place the base on the ground and mark the location of 4 hole.

③



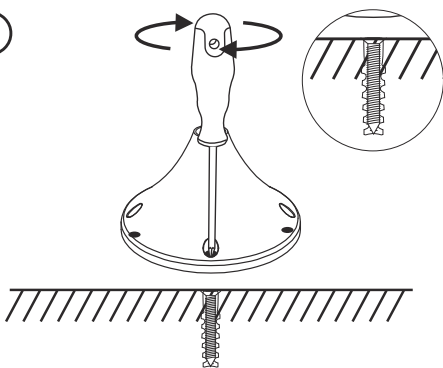
Drill holes in marked positions using an electric drill.
(diameter:8mm depth:65mm)

④



Install 4x setscrews on the base.
(Tips: Don't twist it too tight, just make sure it doesn't fall off)

⑤

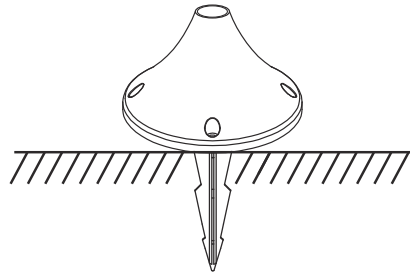
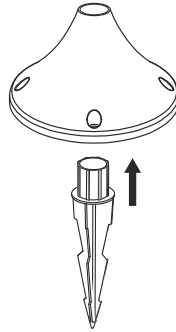


Insert the base into the marked hole.

Base Assembly

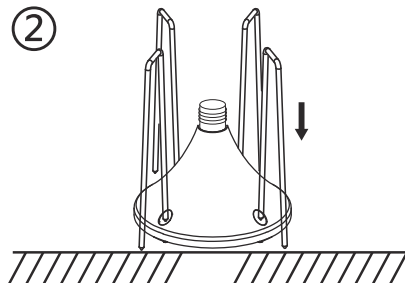
IN THE GRASSLAND

②



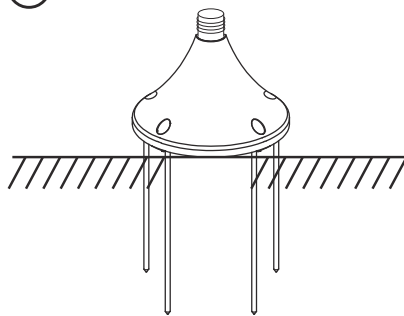
Insert spike into the base and ground.

②



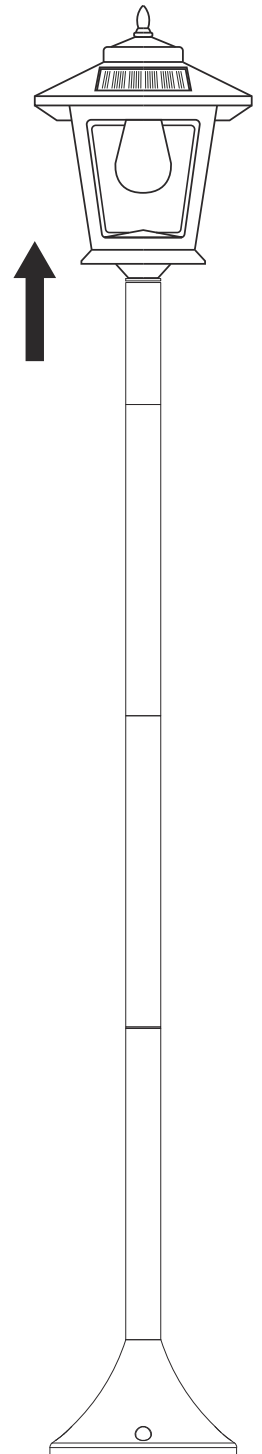
Insert 4 U-Shaped spike into the hole in the base.

③



Use 4 U-Shaped spike to fix the post light into the grassland.

Finish



Connect the lantern on the pipe.

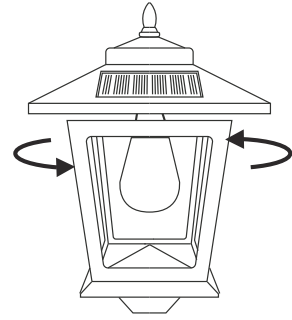
First Time Use

Step1 : Detach top cap by twisting it a clockwise direction and gently lifting off.

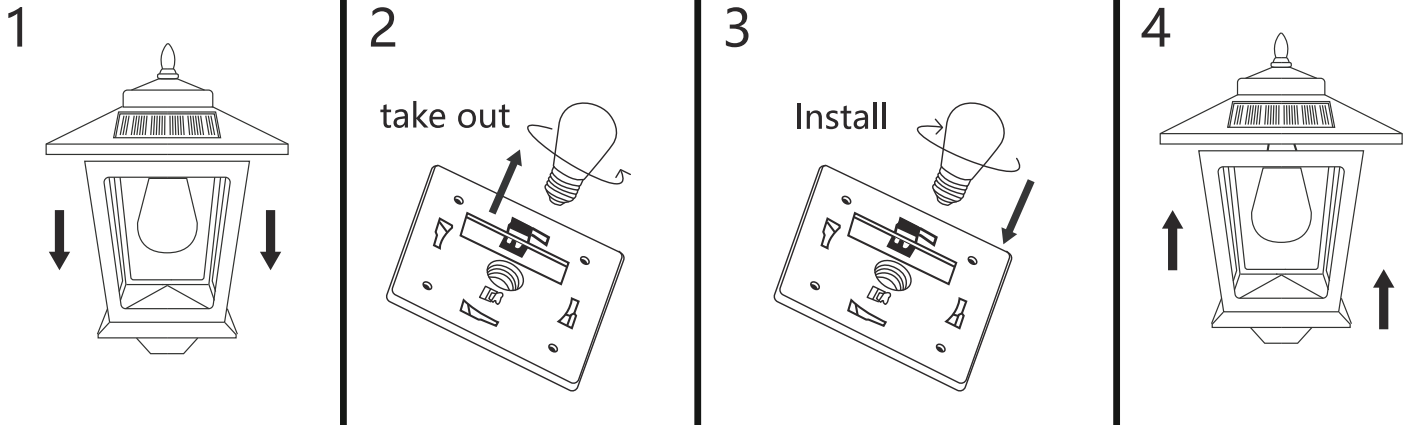
Step2: Locate the ON/OFF switch and ensure it is in the "ON" position

Step3: Re-assemble top cap by aligning the 4 locking tabs on the side.

Step4: Solar light need to charge in full sunlight for 8-12 hours with switch in the "ON" position to allow the rechargeable batteries to reach maximum capacity.

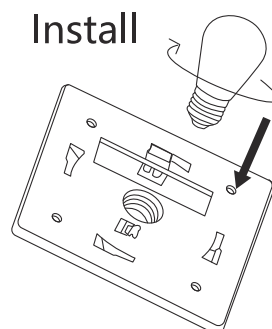
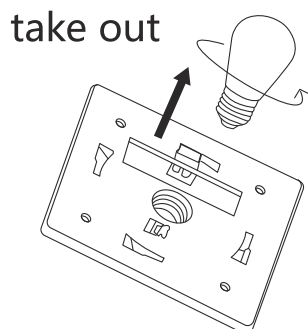


Bulb Replacement (Use our own special bulb)



Troubles You May Meet:

- ☑ The part is missing or damaged, like screws or glass.
- ☑ The screws couldn't screw on.
- ☑ Stopped working after few days. (At first, please check if you have followed the ways we provided. Then look for our helps)

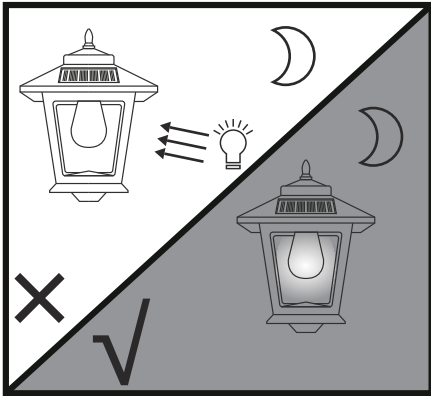


If the light still doesn't light up, may be the light bulb is in bad contact: Try to take out the light bulb and reinstall the light bulb.

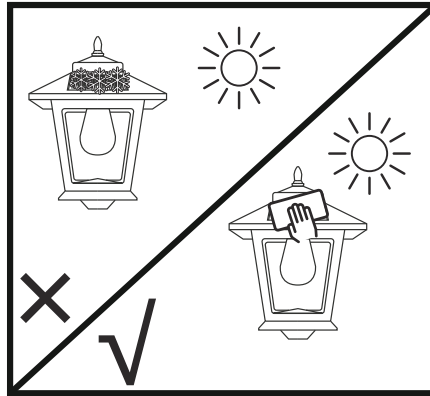
Care & Cleaning

- Clean the solar panel with a damp cloth. Do not use any chemicals or abrasives.
- Keep the solar panel free of snow and debris to allow the battery to charge properly

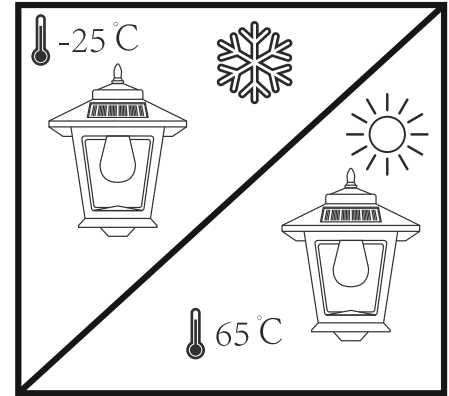
Maintenance



No Strong light around the panel at night.

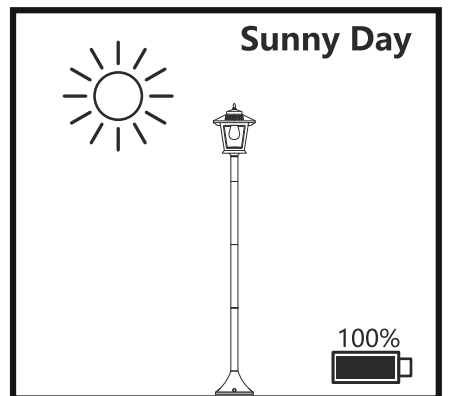
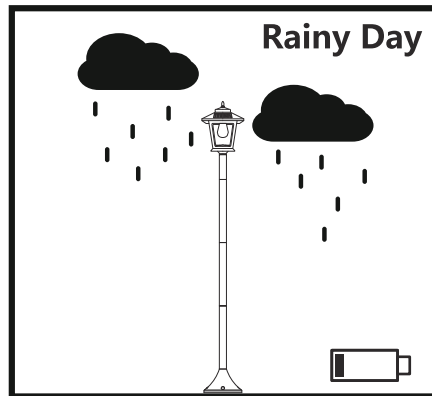
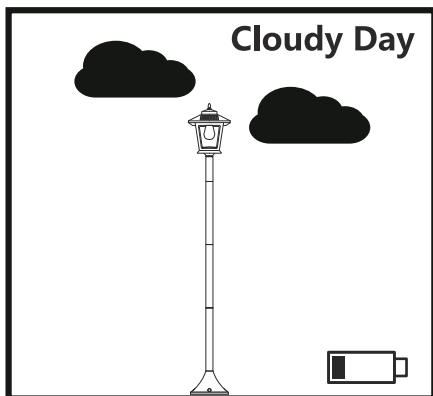


Clean up the solar panel when the snow or frost covers on.



Temperature Range.

Charging Efficiency (Depends on weather).



Cloudy and rainy days, etc, will relatively reduce the charging efficiency.

Caution For Our Lantern:

- 1.Solar panel must receive the direct sunlight. Ensure that the solar panel is in a bright sunny location. Do not be covered by obstructions like eaves, trees, cars, parasols.
- 2.Make sure the switch is in the "ON" position before charging.
- 3.No ambient light on solar panel at night. If not, the light may turn off.
- 4.The bad weather day may affect the efficiency of charging and reduce the hours of nighttime lighting, like cloudy day or rainy days. If you meet the strong storm day, we advise not to hang outdoor.
- 5.Keep the solar panel clean when winter comes, it may have snow or frost covered on it
- 6.Make sure the battery fits tightly to the terminal.