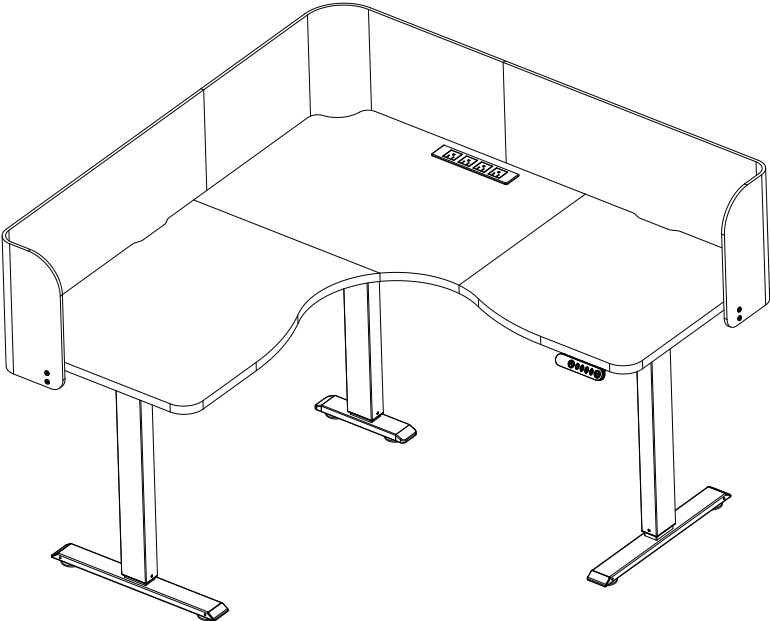


ADJUSTABLE FOR STANDING ELECTRIC HEIGHT-ADJUSTABLE DESKS

USER MANUAL



SAFETY PRECAUTIONS

SAFETY AND WARNINGS

1. Improper use of this product may cause property damage or personal injury
2. Before using your desk, check your surroundings. If trapped between an immovable obstacle and the table's range of motion, body parts and property may be impacted.
3. When operating the desk, make sure to take into account the length of the power cord. Monitors, computers, speakers, anything that is not long enough for the table's range of motion can be pulled down or wires broken.
4. Items removed from the table may cause other items to fall.
5. Please provide this operator's manual to any user, installer, or support person operating the product.
5. Do not place anything more than 60CM under the table.
6. Do not open any components, legs, control boxes, or switches. There is a risk of electric shock.

PRECAUTIONS FOR USE

This adjustable table frame has a motor and is designed to be used only in dry work areas. The table frame is adjustable, so it can be positioned on an ergonomic table frame. These tables are designed for the purposes contained in this manual only. They should not be used in high humidity environments or humid areas. Any other environment is at the discretion of the user.

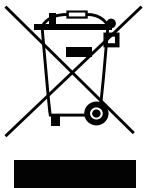
Do not walk, crawl, or crawl under the table frame. Do not sit or stand on a table stand. Children are not allowed to manipulate without parental supervision.

Except as described in this operator's manual, the manufacturer will not under any circumstances accept warranty claims or liability claims for damage caused by improper use or handling of the table frame.

Setup and Installation Once the table is assembled, adjust the feet so that the table remains level and does not move out of position. After that, connect the table to a 110v or 220v socket and the table is ready to use.

Check if the cables are twisted or clogged, choose a suitable location for the table at a safe distance.

Categorical processing



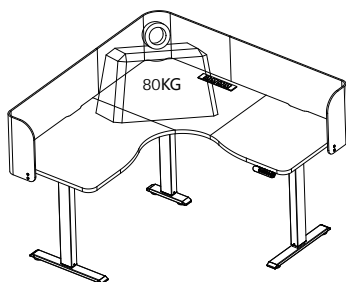
The mark indicates that this product should not be used with other household waste, and in order to prevent possible harm to the environment or human health caused by uncontrolled waste disposal, it is recycled responsibly to promote the sustainable reuse of material resources. To dispose of your used equipment, please contact us. We will take the initiative to contact you to deal with it.

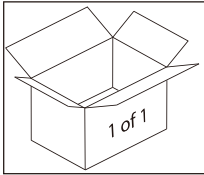
SPARE PARTS CATALOG

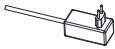
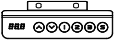



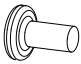
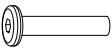


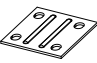
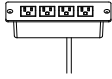





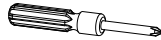
For convenience and safety, we recommend two people for assembly



Serial number	name	Diagram	quantity
①	Desktop-1		1
②	Desktop-2		1
③	Desktop-3		1
④	Main leg		1
⑤	Vice leg		2
⑥	Support beam		1
⑦	Support beam		1
⑧	Support beam		1
⑨	Support beam		1
⑩	Side Bracket		2
⑪	Long base		2
⑫	Short Base		1
⑬	Sync Rod		1
⑭	Sync Rod		1
⑮	Screen		1
⑯	Screen		1
⑰	Screen		1
⑱	Mouse pad		1



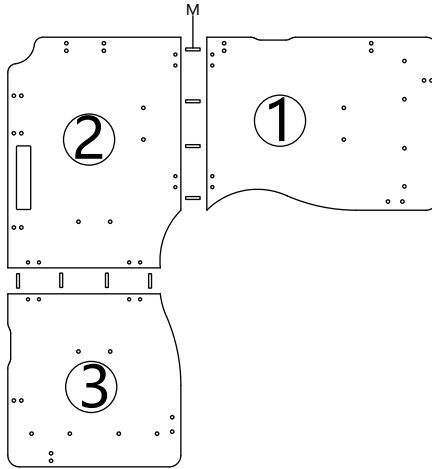


<p>A </p> <p>Power CableX1</p>	<p>B </p> <p>ControllerX1</p>	<p>C </p> <p>Leveling StudsX6</p>
<p>D </p> <p>Wire ClipsX5</p>	<p>E </p> <p>4MMAllen KeyX1</p>	<p>F </p> <p>Screws M6x12 x80</p>
<p>G </p> <p>Screws M6x35 x14</p>	<p>H </p> <p>ScrewsM5x8 x18</p>	<p>M </p> <p>Wooden Rodx10</p>
<p>N </p> <p>Connector x4</p>	<p>K </p> <p>Socket x1</p>	<p>L </p> <p>Hexagon bar x1</p>
<p>R </p> <p>Hanging code x10</p>	<p>U </p> <p>Metal connection plate x1</p>	<p>S </p> <p>Self tapping silkM3X12 x4</p>
<p>Y </p> <p>Extended line x1</p>	<p></p> <p>screwdriver x1</p>	

1

M x8

Panel assembly, Put the wood chips into the embedded holes!

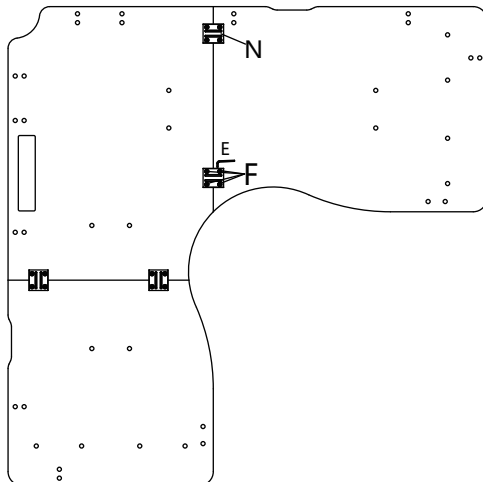


2

E X 1 F X 16 N x4

After merging the panels, use a 4MM wrench and M6 * 12 screws to fix the desktop together through the panel link board;

After merging the panels, use a 4MM wrench and M6 * 12 screws to fix the desktop together through the panel link board;

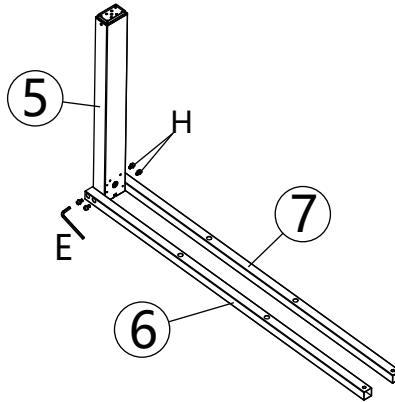


3

E X 1 **H** X 4

Assembly of crossbeam; Use a 4MM wrench and M5X8 hex socket screw to secure it

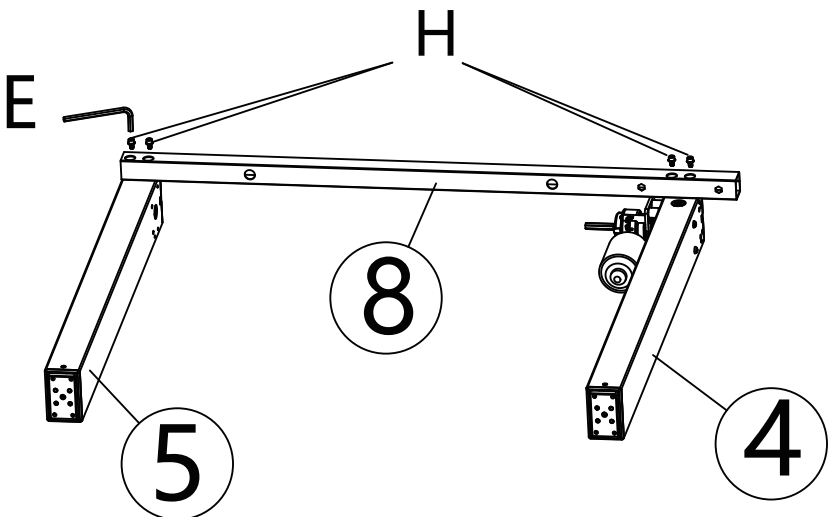
Attention: The positioning points of the crossbeam must be fully aligned before tightening the screws.



4

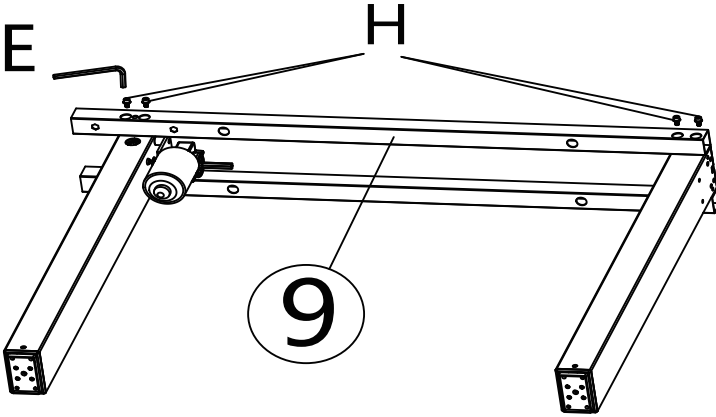
E X 1 **H** X 4

According to the picture, arrange the table legs and crossbeams (4, 5, 8) and secure them with screws (H) M5x8

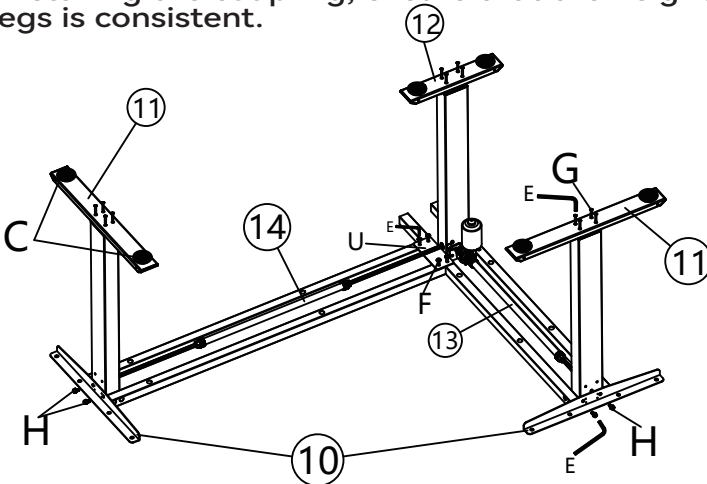


5**E** X 1 **H** X 4

As shown in the picture, tighten the crossbeam (9) and table legs with screws (H) M5x8 to secure them in place

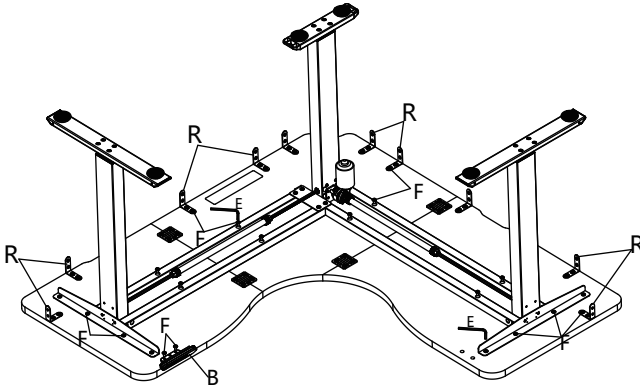
**6****E** X 1 **H** X 4 **C** X 6 **G** X 12 **F** X 4 **U** X 1

Arrange the table frame according to the picture and fix the support arm (10) with screws (H) M5x8. Secure the table legs (11, 12) with screws (G) M6x35x, and then screw the foot pads (C) into the table legs. Two table frames are fixed with parts (U) and screws (F) M6x12 screws. Finally, install the couplings (13, 14) into the table legs according to the picture. When installing the coupling, ensure that the height of the three table legs is consistent.



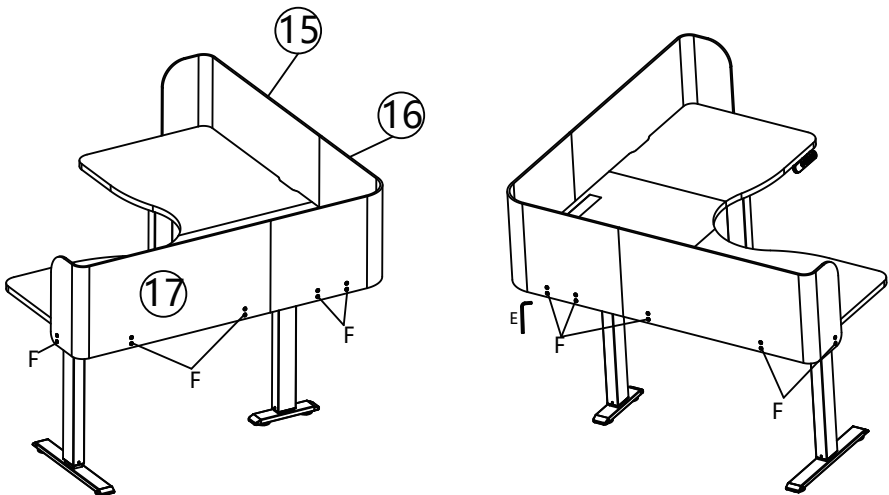
7**R** x 10 **F** x 38 **E** x 1 **B** x 1

Desktop, handheld controller, screen bracket assembly;
 Use a 4MM wrench and M6 * 12 screws to secure the desktop,
 controller, and screen bracket!

**8****E** X 1 **F** x 20

Screen assembly;
 Use a 4MM wrench and M6 * 12 screws to secure the screen!

Attention: The screen with slots is on the inner side!



9

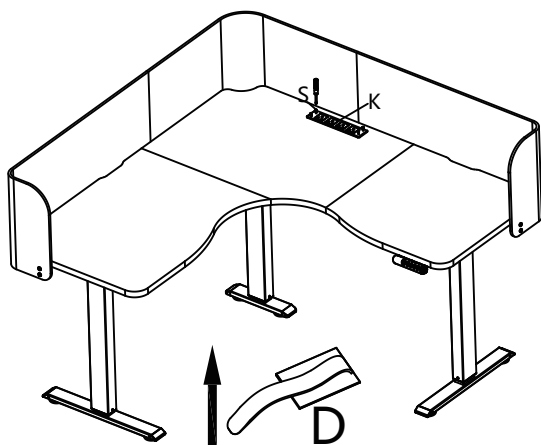
S x4

K x1

Plug in installation;

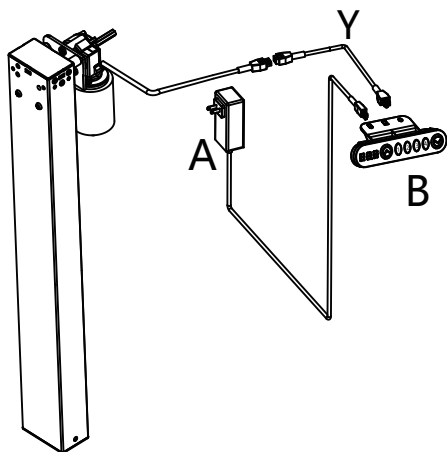
Use a Phillips screwdriver and self tapping screws to fix the inspection on the desktop and fasten the decorative cover!

Tear off the adhesive on the back of the wiring buckle, fix it in a suitable position under the desktop, and secure the wiring harness in place!

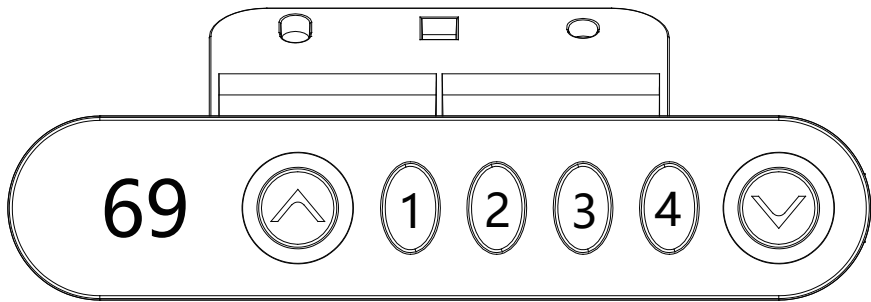


10

Attention: The power terminals have positive and negative polarity differentiation, and plugging in the opposite direction will burn out the control box!



INSTRUCTIONS FOR OPERATING THE HAND CONTROL



RESET Setting	Method 1: Press and hold “^” and “v” buttons on the controller at the same time for seconds until you hear the beep. Release the buttons. The desk will go automatically until it shows 69, and the reset is successful.
Height Adjustment	Up: Press Up “^” .Down: Press Down “v” .
Switch Display	Press and hold “v” and Button 4 to switch cm to inch to cm.
Memory Height	Press and hold any storage button (1, 2, 3, or 4), hear a “beep” sound and see the number flash twice, then release the button. The height of this position will be stored in the memory. When recalling the working height, press the memory position button, and the table will automatically adjust to the memorized height. Note: This table has four different height memories. The stored memory positions remain valid after the power is turned off. You can use the up and down buttons to adjust the standing workbench to the desired height.

Trouble shooting Guide:

If your standing desk does not work properly, you may need to reset it.

If any error codes appear, you need to reset it.

If it still does not work after the reset, please contact us for more help.

Maintenance and Consideration:

1. During daily maintenance, use a clean soft cloth to remove surface dust. Do not use a wet cloth or hard material to wipe the surface of the table.
2. Avoid contacting the surface with acid-based chemicals.
3. For slight scratches, gently wipe with a soft cloth, you can smooth out scratches. Avoid attaching tape directly to the outer surface of the metal feet to prevent paint from peeling.

