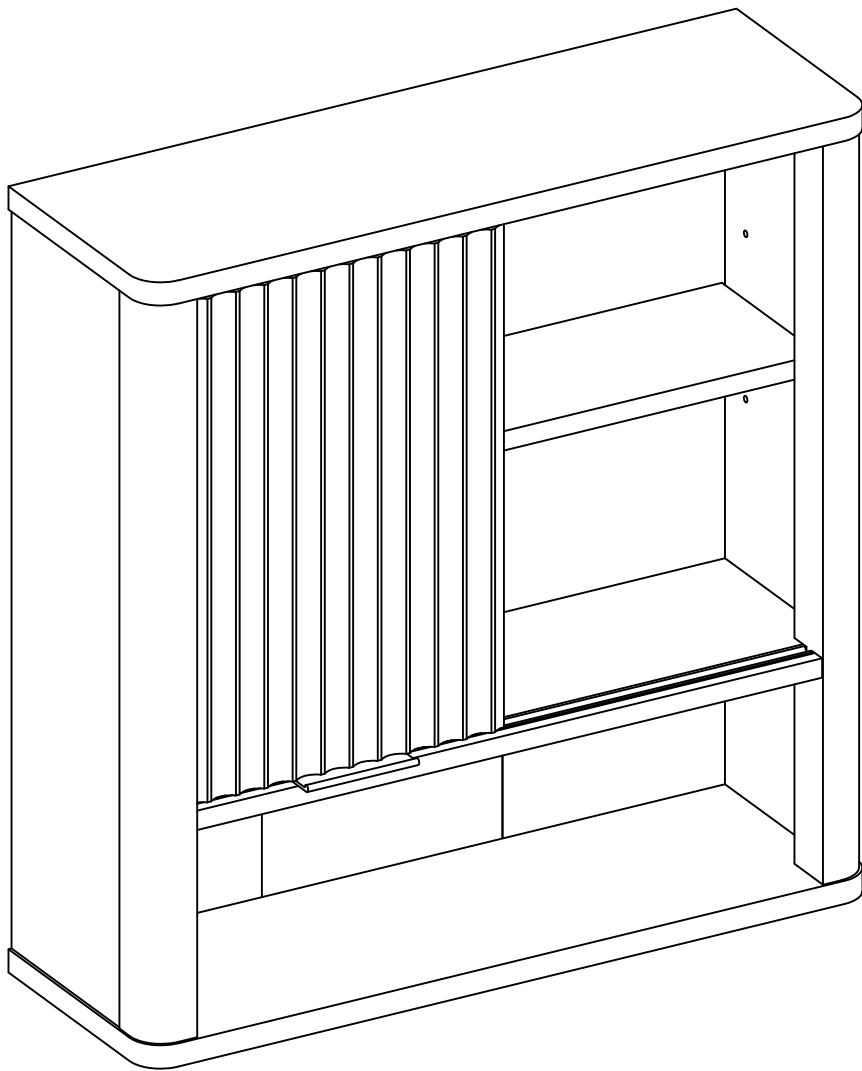
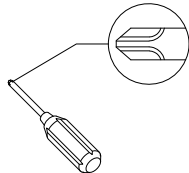


Assembly Instructions

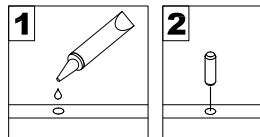


General Assembly Guidelines

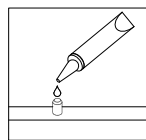
- I. Ensure that all parts and hardware are available before beginning assembly.
- II. Follow each step carefully to ensure the proper assembly of this product.
- III. Two people are recommended for ease in the assembly of this product.
- VI. A Phillips head screwdriver is required for the assembly of this product .



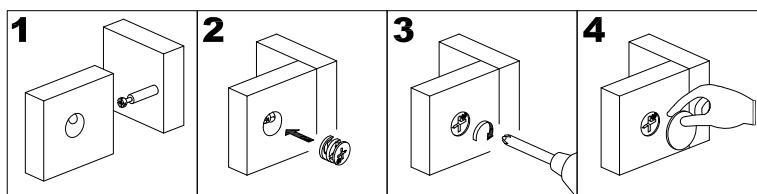
- V. The provided glue is to secure wood dowels in place . When first inserting dowels , locate the appropriate hole for the dowel , place a small amount of glue in the hole and insert the dowel . Wipe away excess glue immediately.



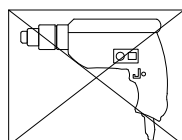
In future assembly steps when dowels are necessary to attach assembly parts together , place a small amount of glue on the end of the dowel before attaching parts together . Wipe away excess glue immediately.



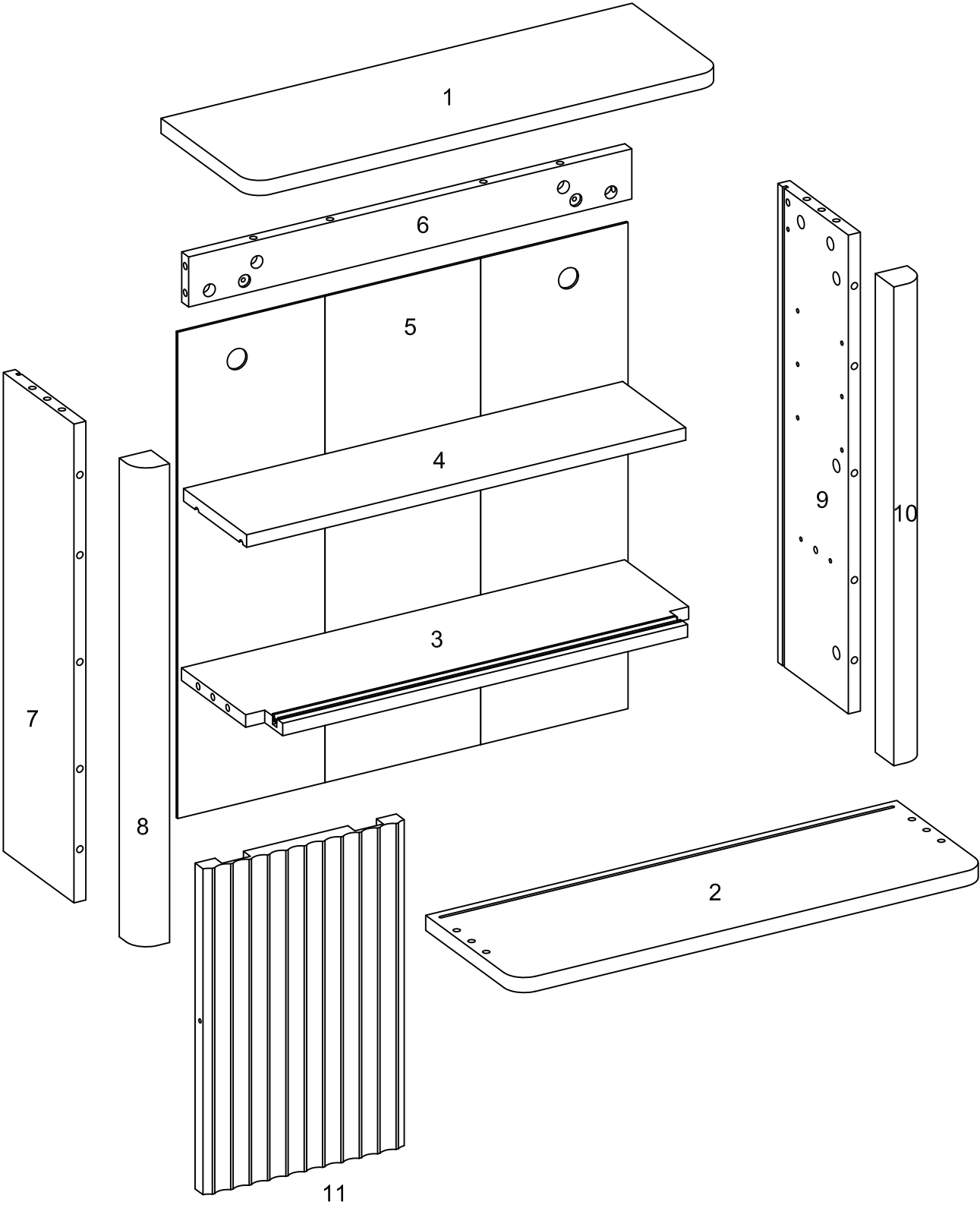
- VI. **HOW THE KNOCK DOWN (KD) ASSEMBLY SYSTEM WORKS**
 - 1.Screw the Cam Bolt into the pre-drilled hole on the panel. Make sure Cam Bolt goes into the pre-drilled hole on the end of panel for Cam Lock.
 - 2.Insert the Cam Lock into the pre-drilled large hole on the panel. Make sure the arrow on the face of Cam Lock points towards Cam Bolt.
 - 3.Take a Phillips screwdriver and rotate the Cam Lock clockwise to lock the Cam Bolt.
 - 4.Use the sticker to conceal the Cam.




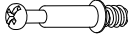





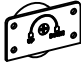
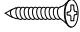


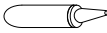
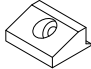
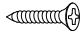





- VII. Power tools should not be used to assemble this product .

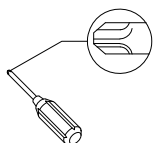


Parts List



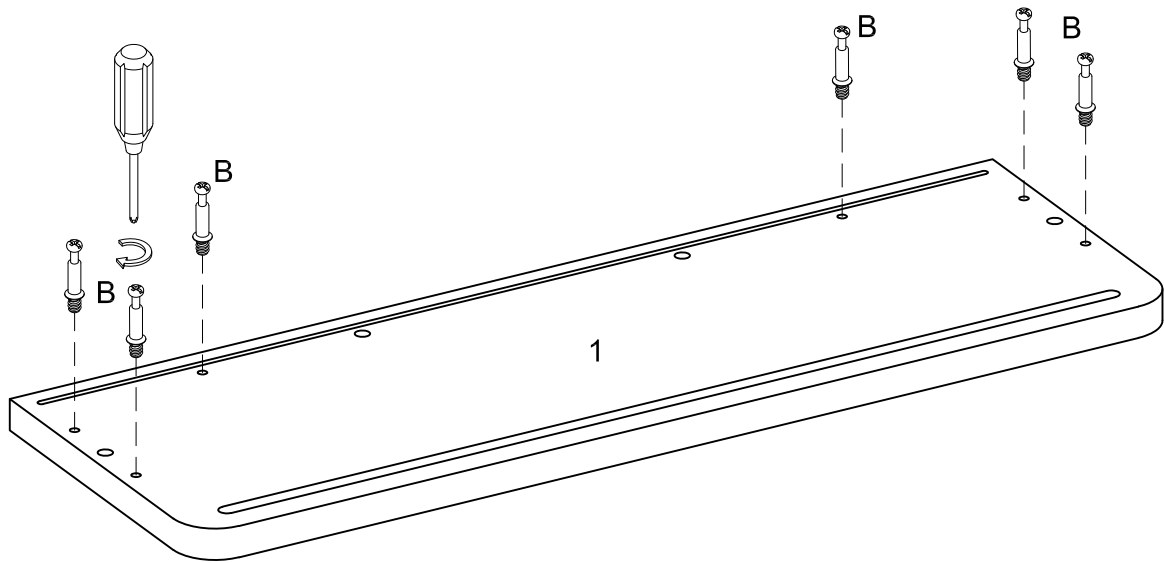
Hardware List

A		Ø8x30mm	Dowel	14 pcs
B		Ø6x35mm	Cam Bolt	18 pcs
C		Ø15x12mm	Long Cam Lock	18 pcs
D		Ø30mm	Cam Cover	18 pcs
E			Handle	1 pc
F		Ø3x12mm	Screw	2 pcs
G			Pulley	2 pcs
H			Pulley	2 pcs
I		Ø3x12mm	Screw	16 pcs
J		M4	Allen Wrench	1 pc
K		Ø6x50mm	Screw	4 pcs
L			Glue Tube	1 pc
M			Plastic Wedge	10 pcs
N		Ø3x17mm	Flat-head Screw	10 pcs
O		Ø5x16mm	Shelf Support Pin	4 pcs
P		Ø4x12mm	Screw	1 pc
Q		Ø7x30mm	Nut	2 pcs
R		Ø13x1mm	Flat Washer	2 pcs
S		Ø4x60mm	Screw	2 pcs

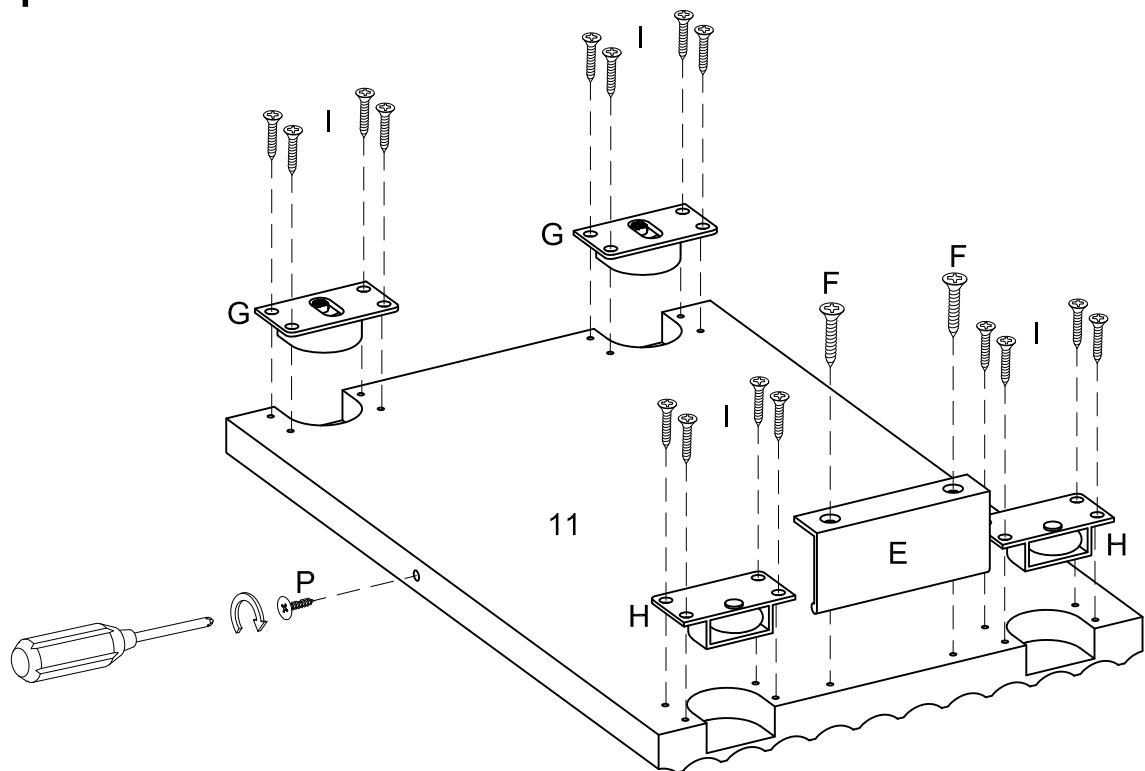


Philips head screwdriver required for assembly
(not included)

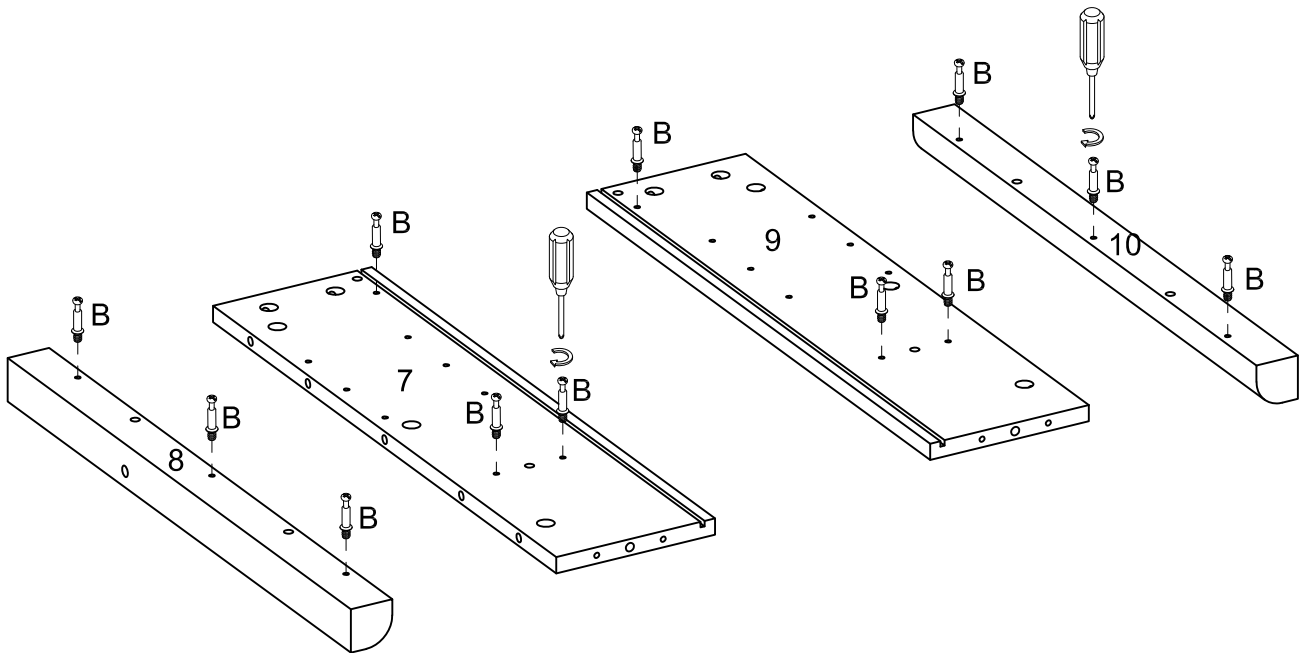
Step 1



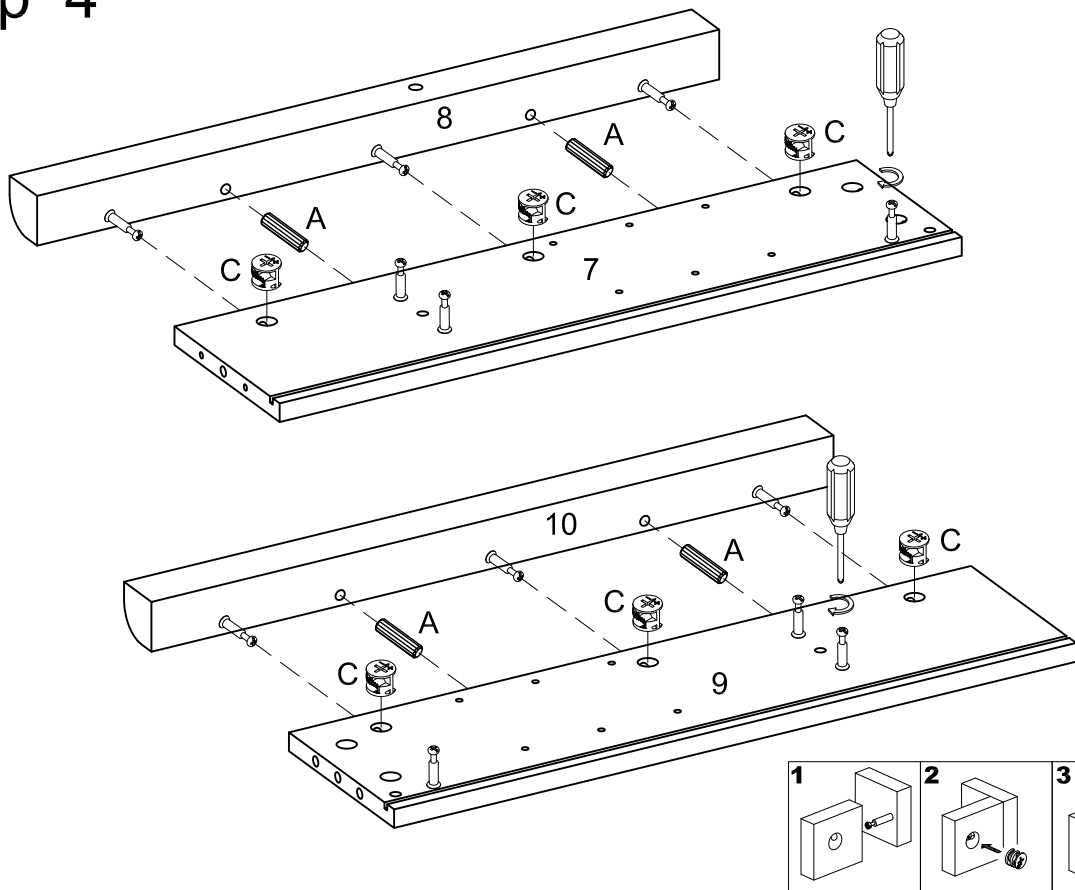
Step 2



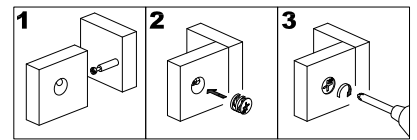
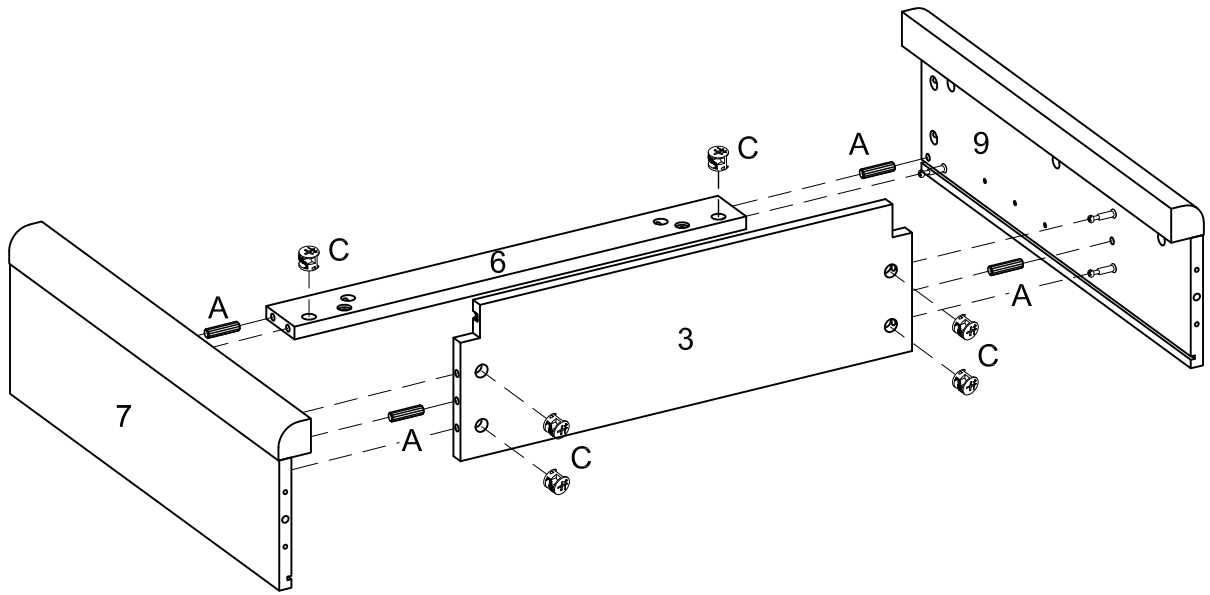
Step 3



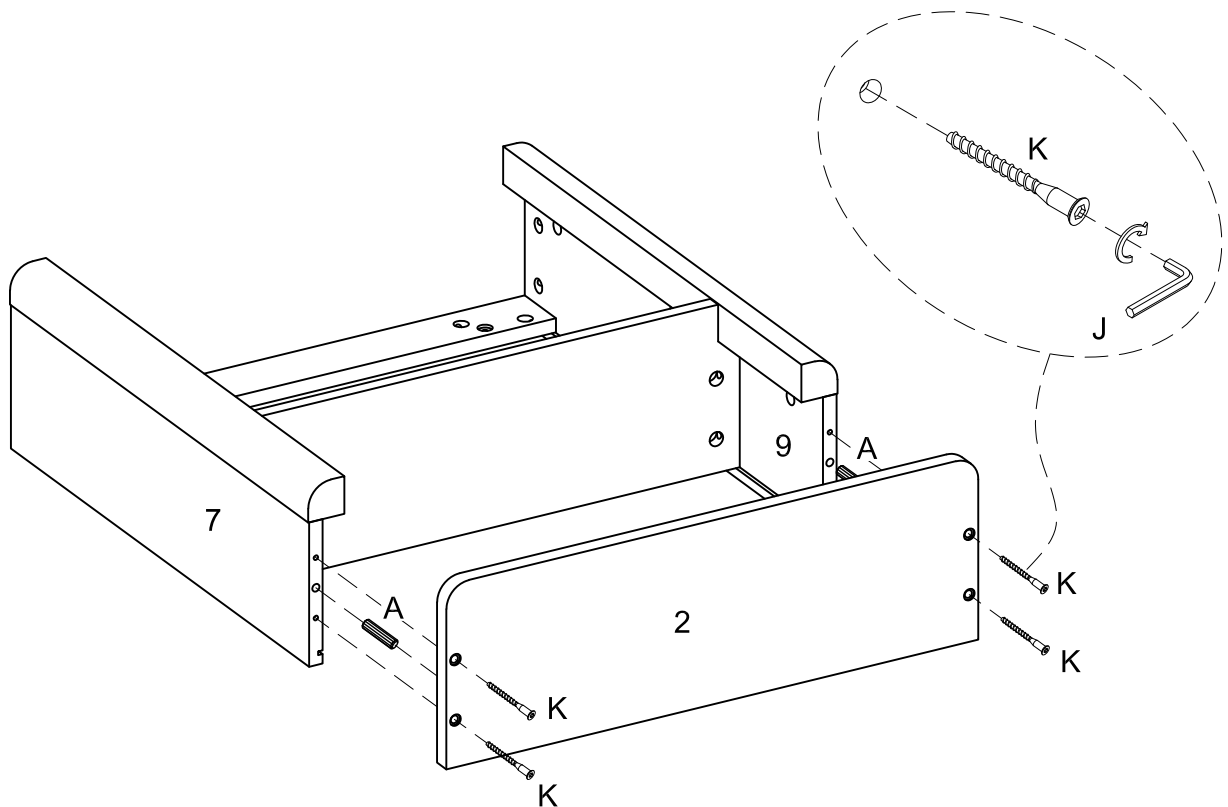
Step 4



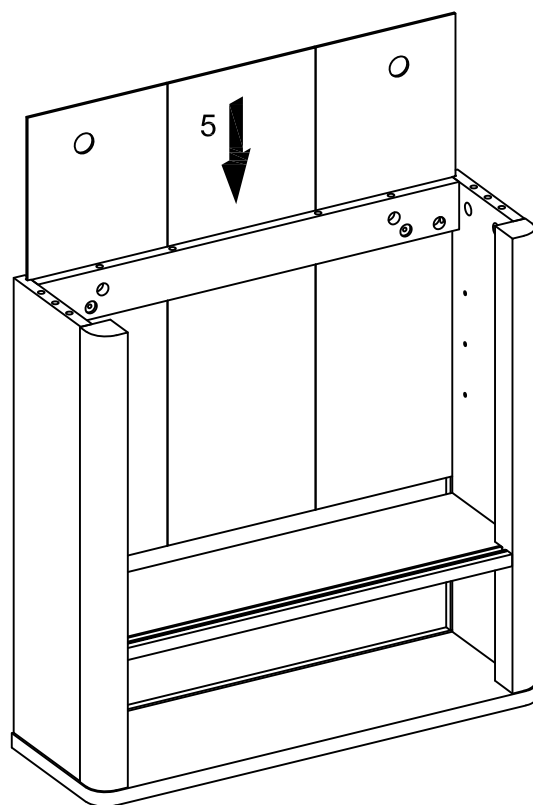
Step 5



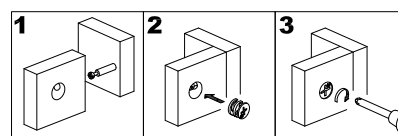
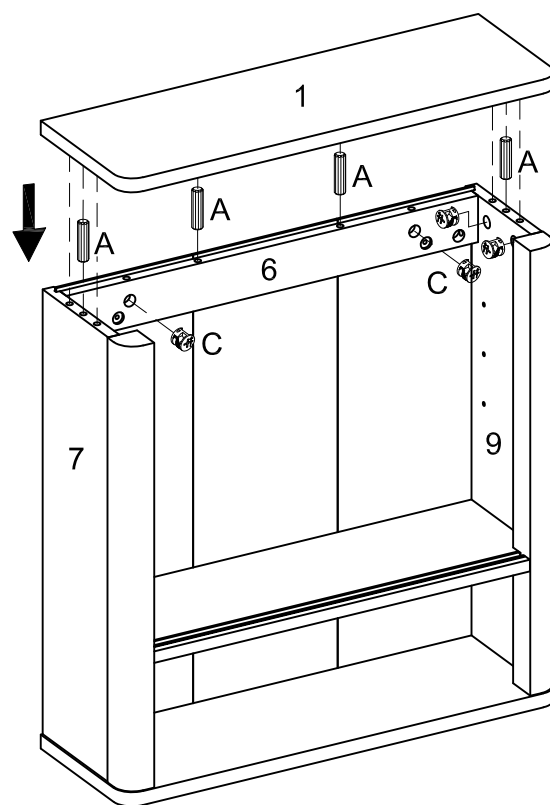
Step 6



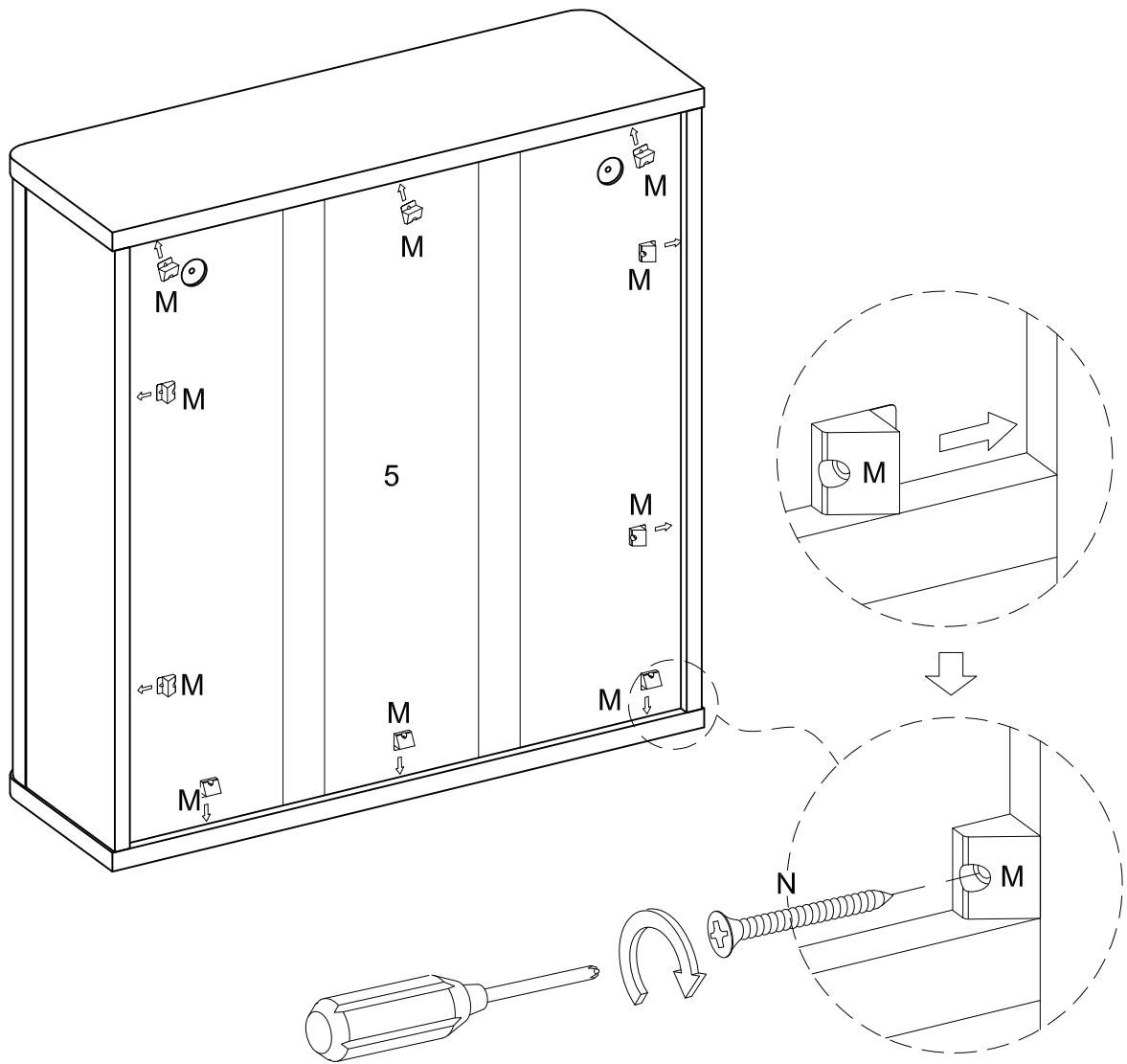
Step 7



Step 8

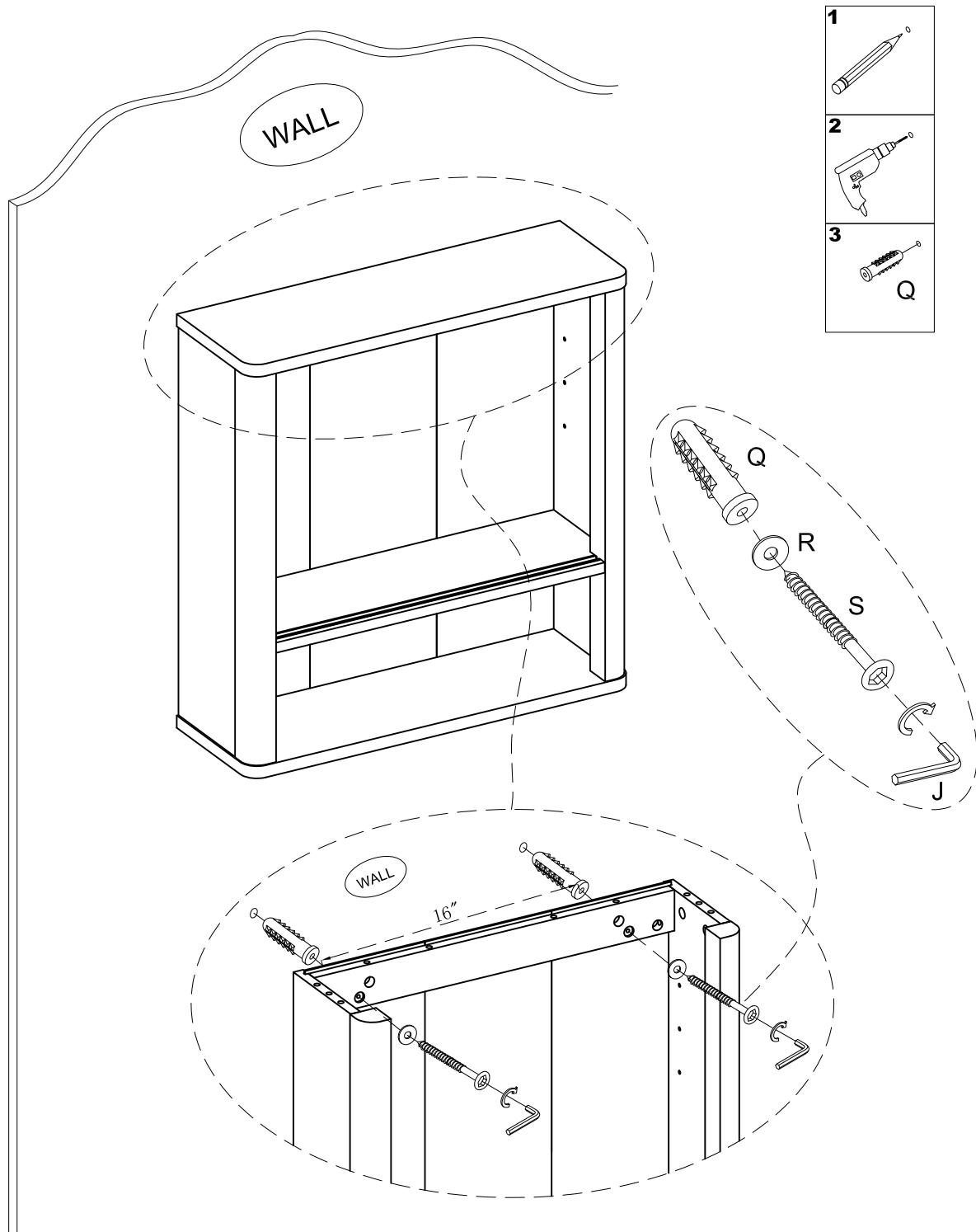


Step 9

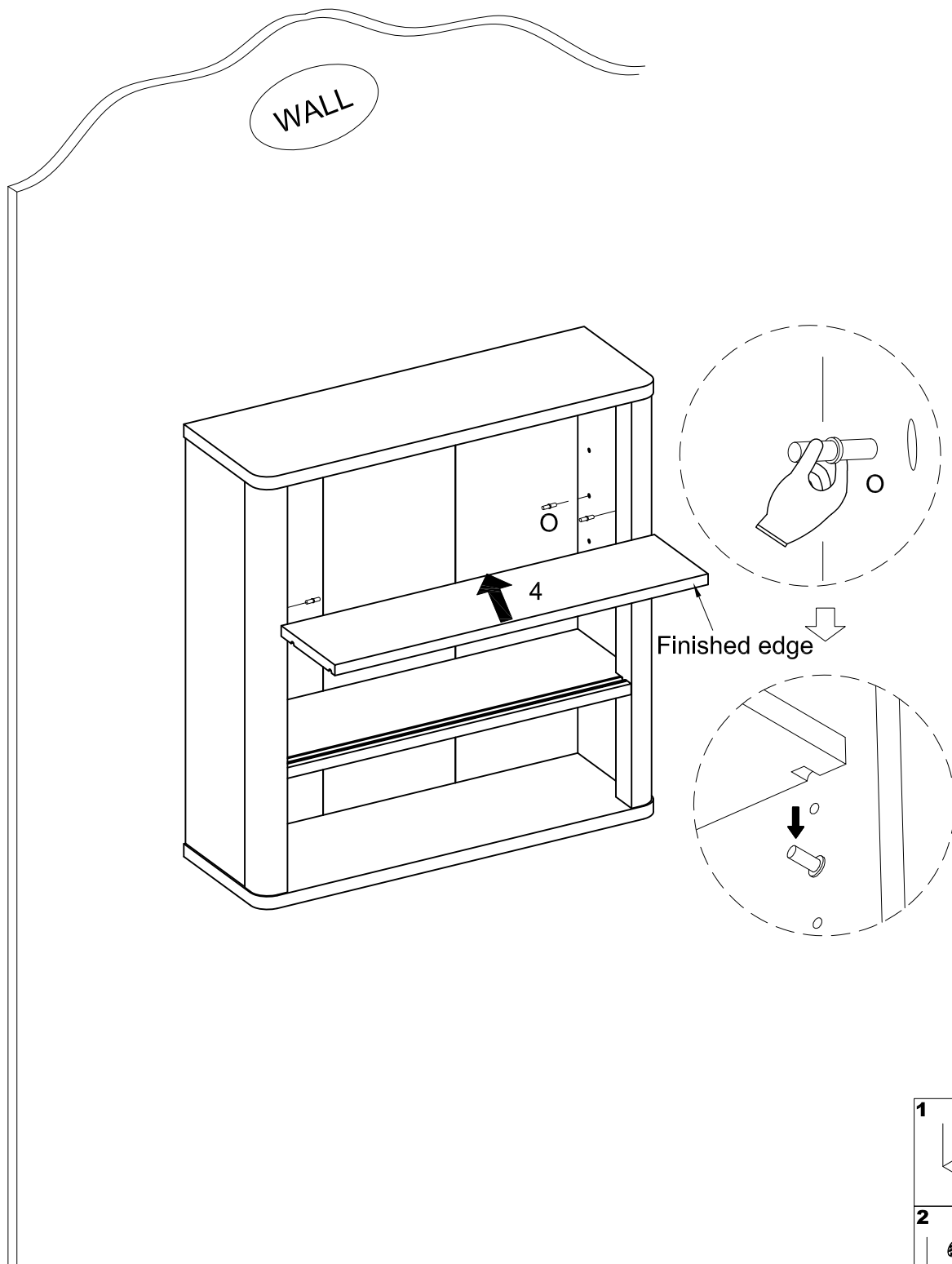


Step 10

Serious or fatal injuries can occur from furniture tipping over. To prevent the furniture from tipping over we recommend that it is permanently fixed to the wall. Wall anchor and hardware are included with this product. Please make sure hardware is suitable for your walls before installing, as different wall materials may require different types of anchors.

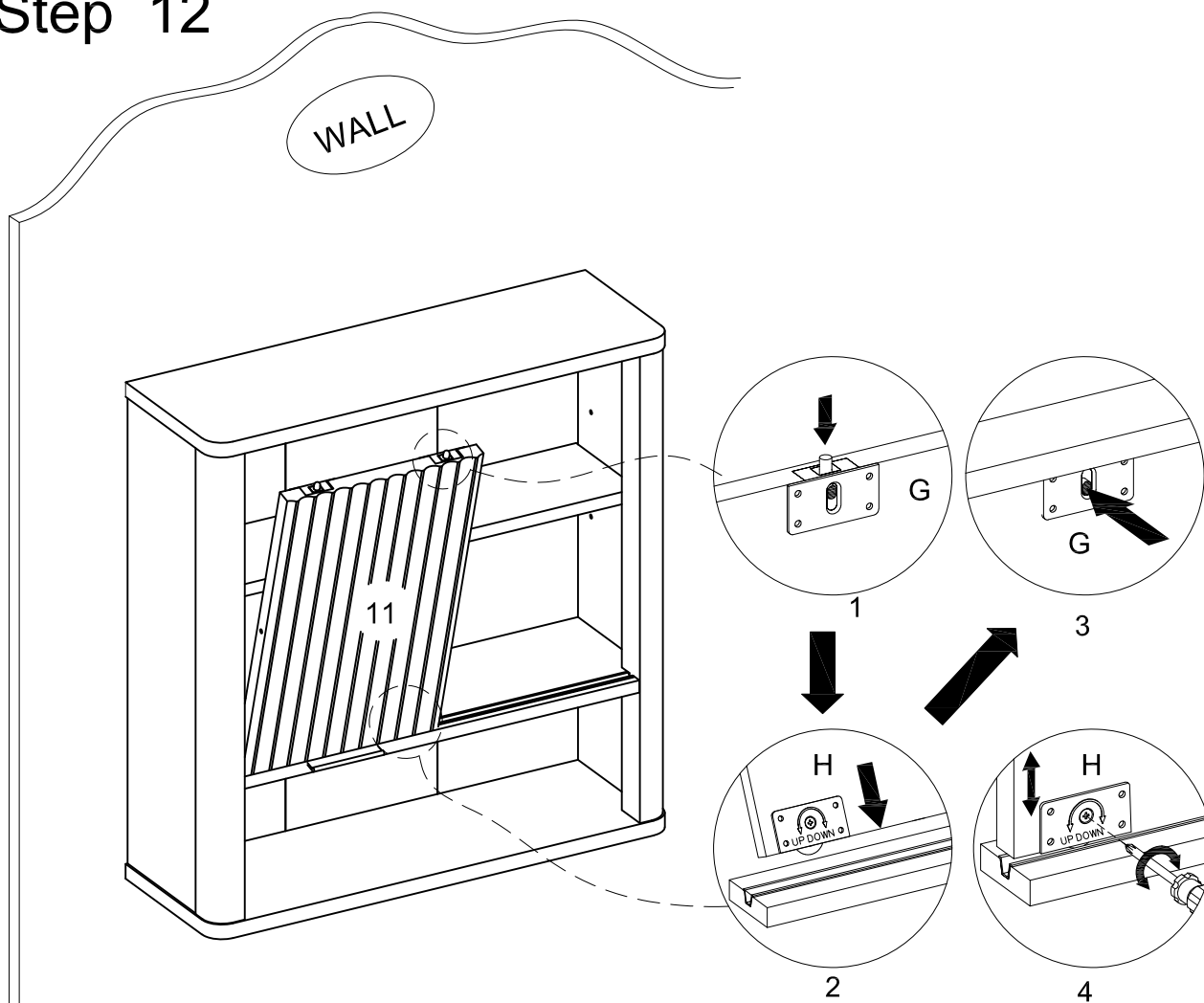


Step 11



- 1
- 2 D
- 3

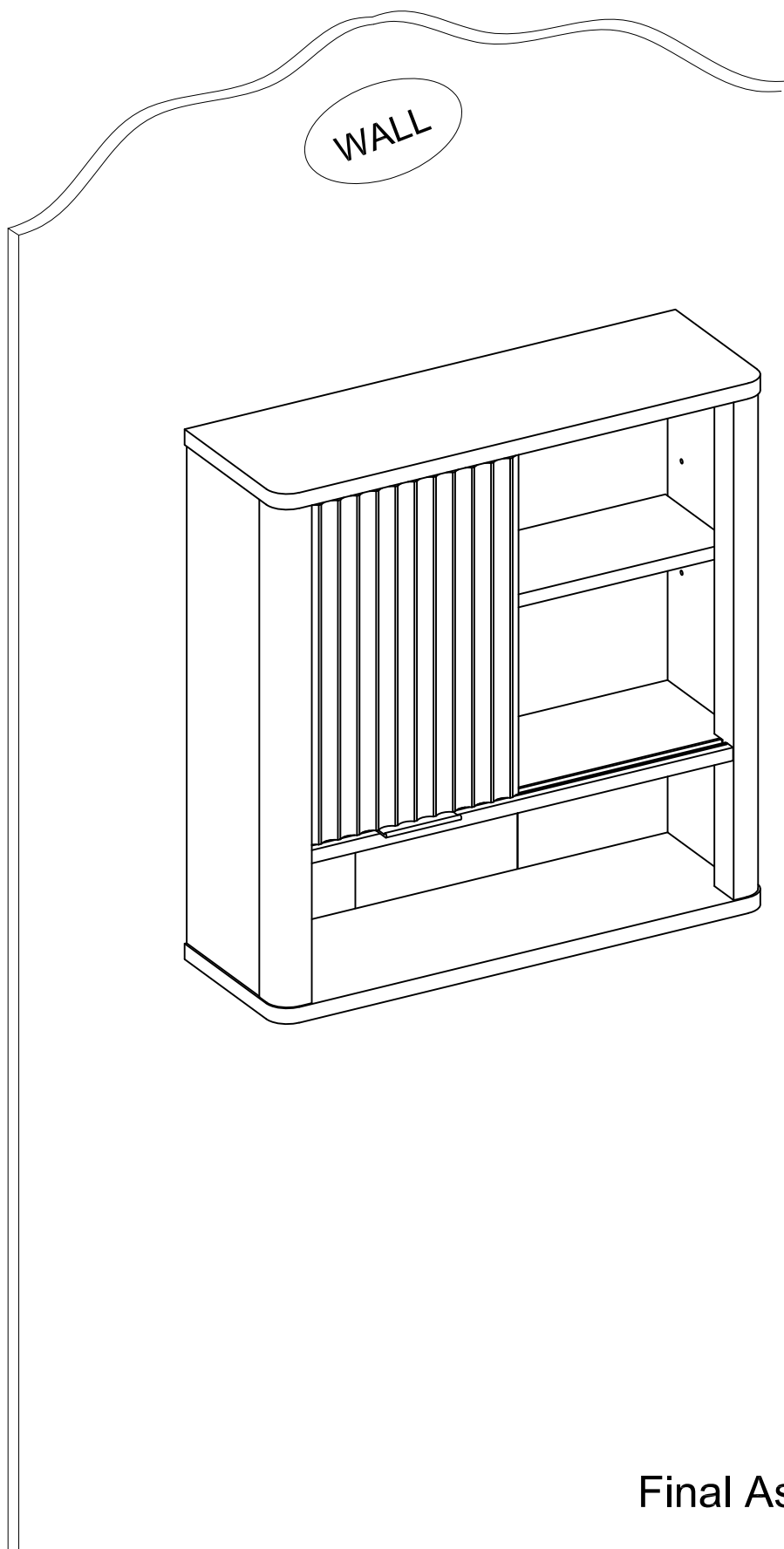
Step 12



Note:

1. Press the pin of part G in the retracted position.
2. Snap the pulley of part H into the sliding rail of the bottom panel.
3. Press the button of part G slightly to release the pin and align with the sliding rail of the top panel.
4. If necessary, adjust the screw on the pulley to make the door slide smoothly. (Turn left to loose the pulley, turn right to tighten the pulley)

Step 13



Final Assembly