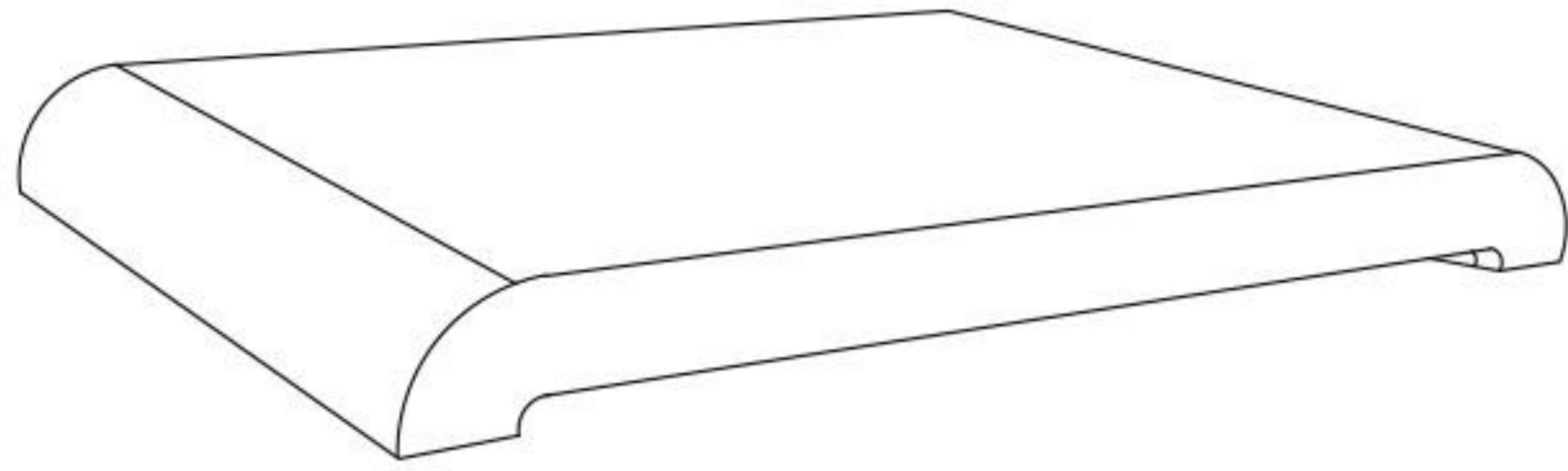
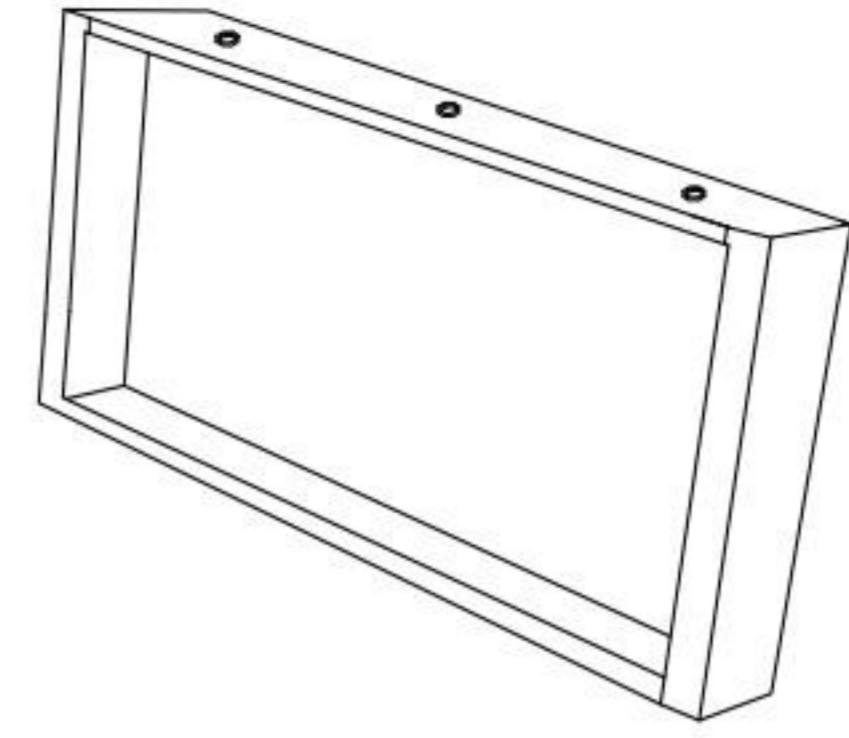


ASSEMBLY INSTRUCTIONS

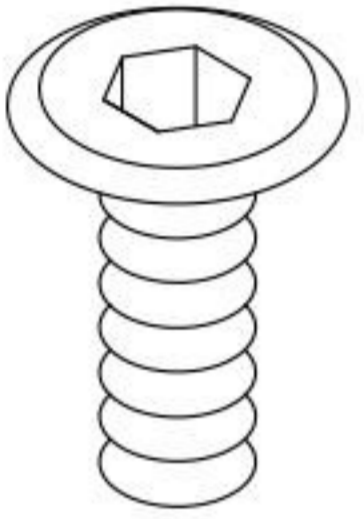
AX1



BX2



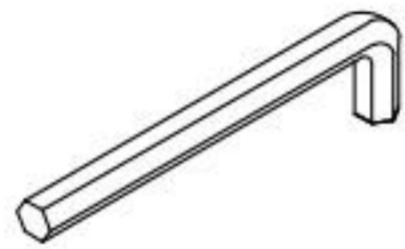
DX6



EX6



FX1



Extra Hardware

D-2 pcs

E-2 pcs

- Note: 1. Please do not tight any bolt unless all bolts are fixed at their respective places.
2. After fixing the bolts tighten them simultaneously.
3. Matching Parts Bolt (example AtoA)
4. Two person assembly required.

