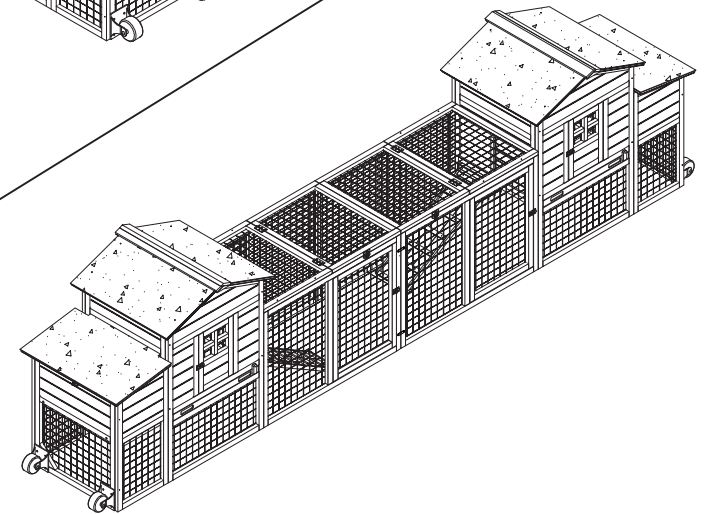
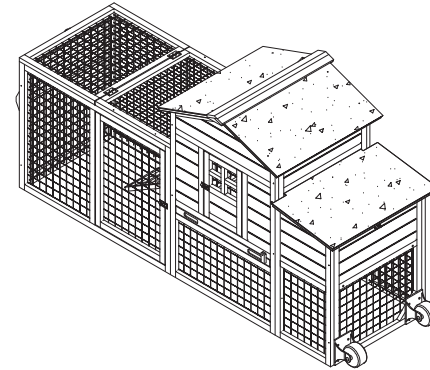


ASSEMBLY INSTRUCTIONS

PLEASE RETAIN THESE INSTRUCTIONS FOR FUTURE USE



TIME ASSEMBLE : 30-60 minutes



NUMBER OF PERSON: 2

Greeting!
So here I am

your new pet house


- ▶ Thanks for letting me be a home for your furry friend(s).
- ▶ They'll be cozy and protected from the weather when they're with me.
- ▶ Just remember to take care of me too, so I can last a long time.
- ▶ When you first get me, you might smell a funny smell. Don't worry, it's not dangerous.
- ▶ Just let me air out for a few days and the smell will go away.
- ▶ Be careful when you're putting me together because some of my parts can be sharp or heavy.
- ▶ Make sure to start by loosely putting in screws, and then tighten them all before using me.
- ▶ If you notice anything broken or missing, stop using me until it's fixed, and please follow the instructions from the maker so your warranty stays good.
- ▶ You can use me both inside and outside, but if you put me outside, make sure to give me an extra cover to keep me from getting moldy.
- ▶ I like to be on a level surface so my doors work smoothly.
- ▶ Keep me away from fire and dangerous chemicals.
- ▶ Clean me with a damp, soapy sponge without corrosive agents.
- ▶ Dry me with a soft, clean, dry cloth.
- ▶ Do not use a high pressure cleaner on me.
- ▶ Do not use bleach, acids, solvents, or abrasive cleaners on me.
- ▶ Check that all my bolts, screws, and knobs are tight every 90 days.

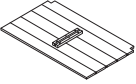
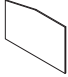
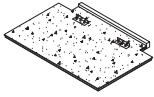
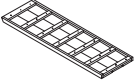

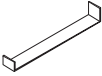

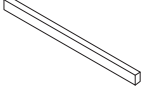


HELP CENTER




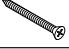



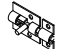



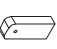

- ▶ Your full satisfaction is our **FIRST** priority
- ▶ We hope you enjoy it and have a good shopping experience.
- ▶ We are committed to resolve any situation when it does not meet your expectations.
- ▶ Please feel free to contact us through order detail page, we will get back to you and solve them within 24 hours.

ASSEMBLY INSTRUCTION

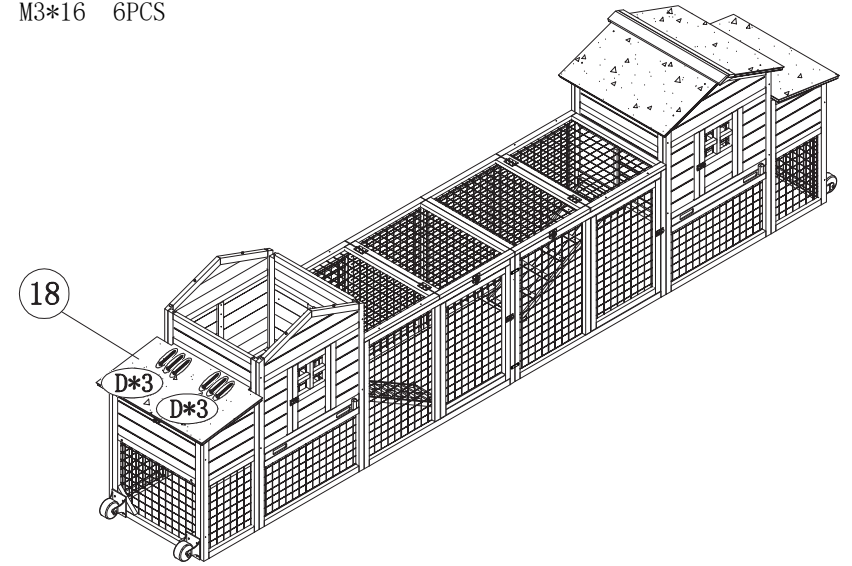
Tool Required:  Electric Drill  Phillips Screwdriver

		
①⑥ Bottom panel of nesting box	①⑦ Divider panel of nesting box	①⑧ Roof of nesting box
		
①⑨ Ramp	②⑩ x2 Wheelie	②① Supporter of ramp
		
②② x2 Wooden handle supporter	②③ Wooden handle	

Parts Description

	A	M3. 5*45	16PCS+1
	B	M6*50	4PCS
	C	M3. 5*50	10PCS+1
	D	M3*16	28PCS+1
	E	M3. 5*30	8PCS+1
	F	M3. 5*25	5PCS+1
	G	M6*30	8PCS
	H		2PCS
	I		1PCS
	J	M3. 5*40	10PCS+1
	K	M3. 0*20	2PCS+1
	L		1PC
	M		4PCS

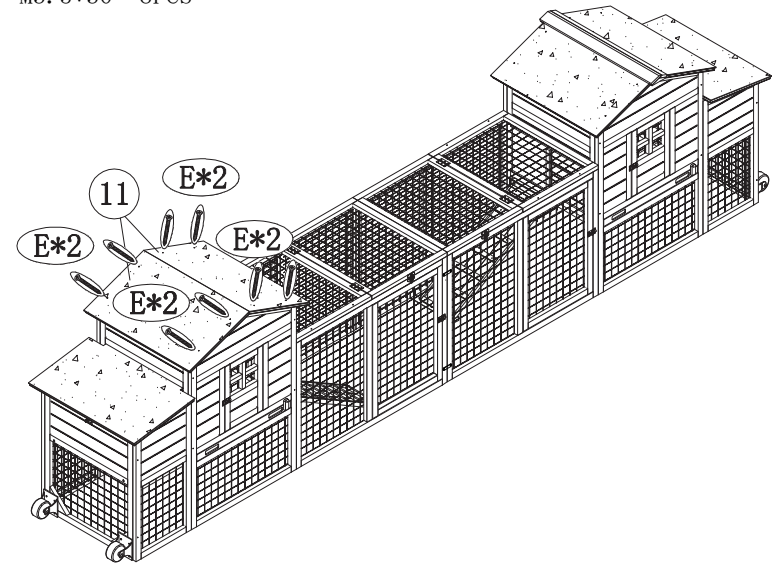
D M3*16 6PCS



Fix ①⑧ Roof of nesting box with screws.

STEP 28

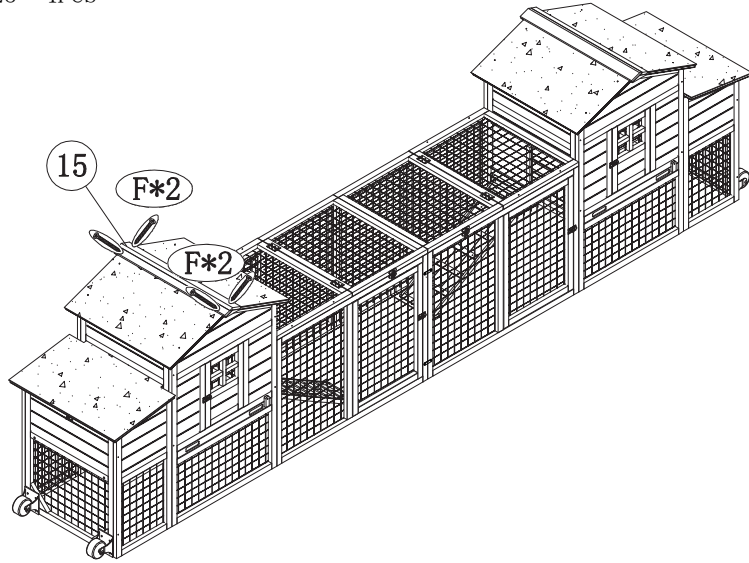
E M3. 5*30 8PCS



Fix ①①x2 Roof of sleeping house with screws.

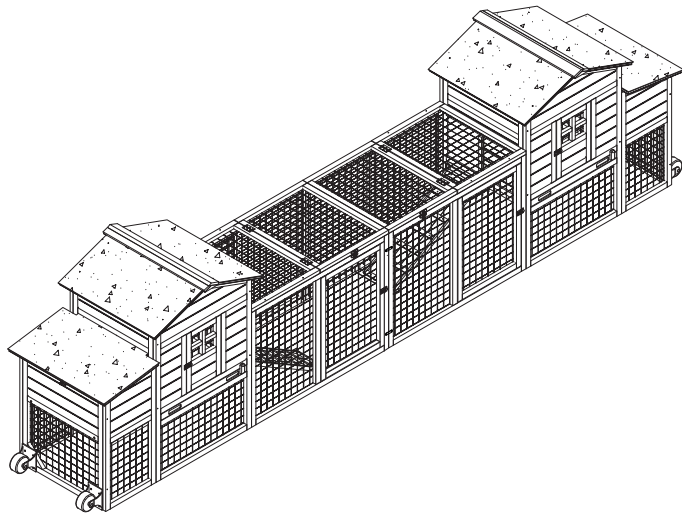
STEP 29

F M3.5*25 4PCS



Fix ⑮ Ridge of sleeping house with screws.

STEP 30



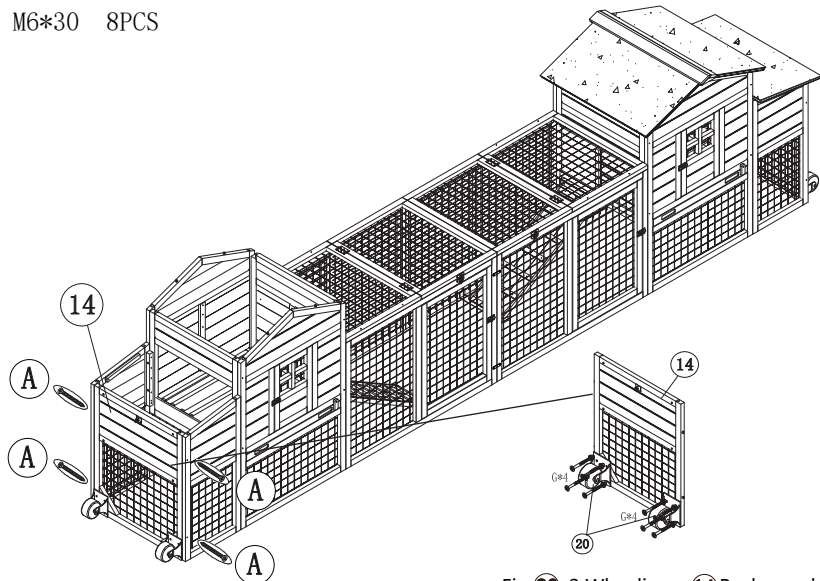
STEP 31

ASSEMBLY INSTRUCTION

Tool Required: Electric Drill Phillips Screwdriver

① Front panel of sleeping house	② Back panel of sleeping house	③ Left panel of sleeping house
④ Right panel of sleeping house	⑤ Tray	⑥ Front panel of run
⑦ Back panel of run	⑧ Left panel of run	⑨ Roof of run
⑩ x2 Perches	⑪ x2 Roof of sleeping house	⑫ Left panel of nesting box
⑬ Right panel of nesting box	⑭ Back panel of nesting box	⑮ Ridge of sleeping house

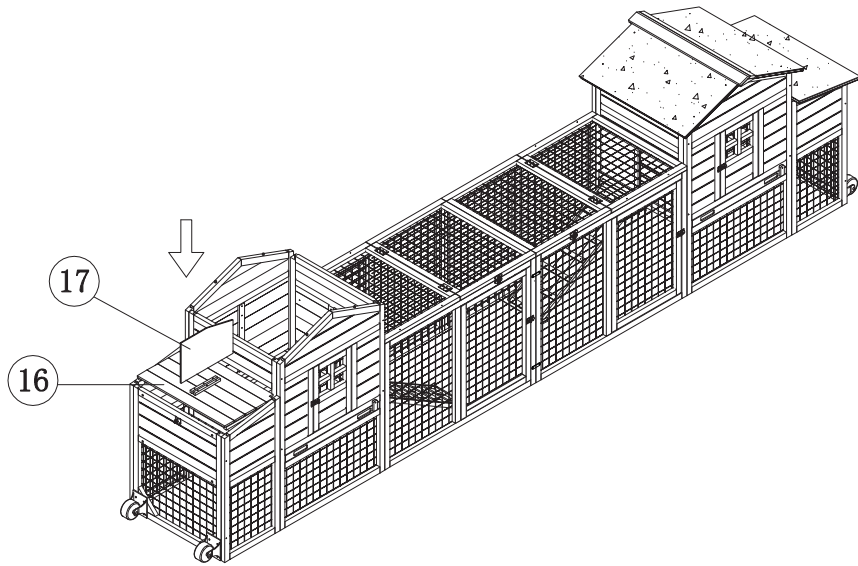
A M3.5*45 4PCS
G M6*30 8PCS



Fix 14 Back panel of nesting box with screws.

Fix 20x2 Wheelie on 14 Back panel of nesting box with screws.

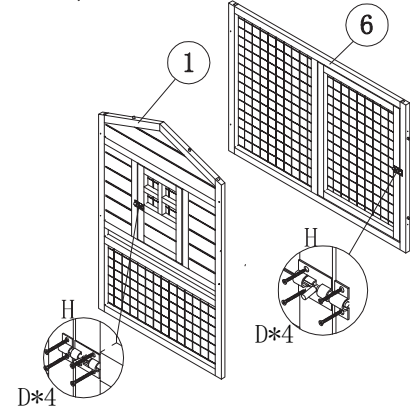
STEP 26



Insert 16 Bottom panel of nesting box and 17 Divider panel of nesting box into the cage.

STEP 27

D M3*16 8PCS
H 2PCS

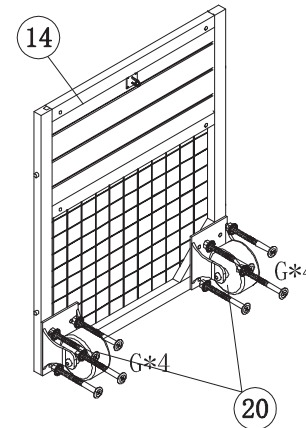


Fix (H) Bolt on 1 Front panel of sleeping house and on 6 Front panel of run with screws.

STEP 1

This step is no need if there is two or more sets of connection.

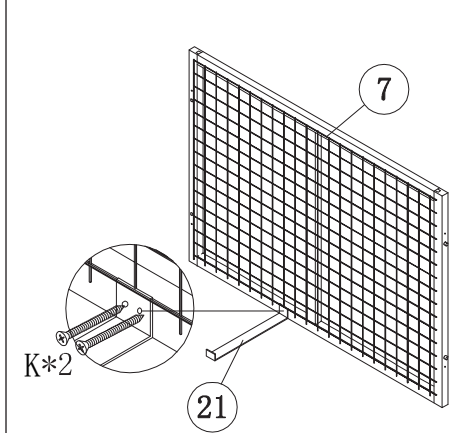
G M6*30 8PCS



Fix 20x2 Wheelie on 14 Back panel of nesting box with screws.

STEP 3

K M3*20 2PCS

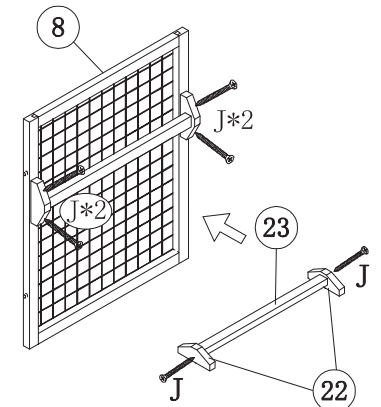


Fix 21 Supporter of ramp on 7 Back panel of run with screws.

STEP 2

This step is no need if there is two or more sets of connection.

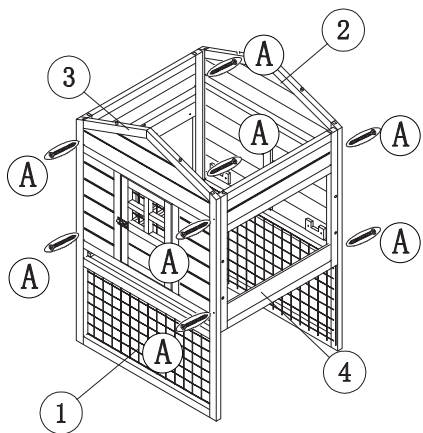
J M3.5*40 6PCS



Fix 22x2 wooden handle supporter on 23 Wooden handle with screws. Then fix them on 8 Left panel of run with screws.

STEP 4

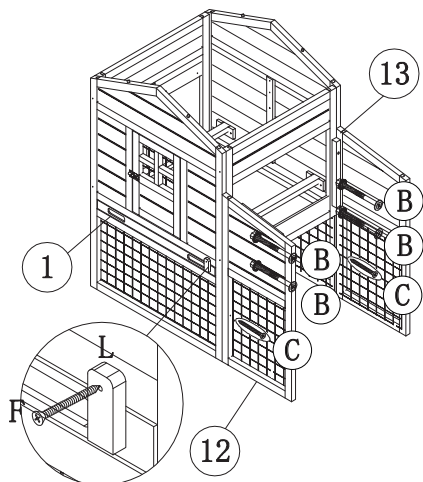
A M3.5*45 8PCS



Connect ① Front panel of sleeping house, ② Back panel of sleeping house, ③ Left panel of sleeping house, ④ Right panel of sleeping house together with screws.

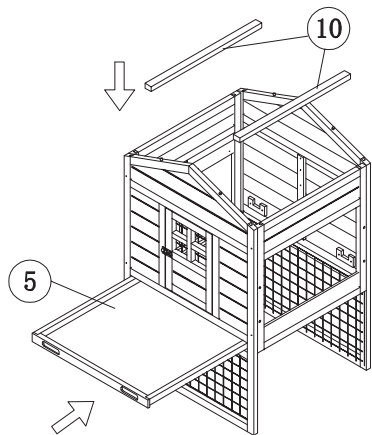
STEP 5

B M6*50 4PCS L 1PC
C M3.5*50 2PCS
F M3.5*25 1PCS



Fix ⑫ Left panel of nesting box and ⑬ Right panel of nesting box with screws.
Fix (L) Wooden knob on ① Front panel of sleeping house with screws.

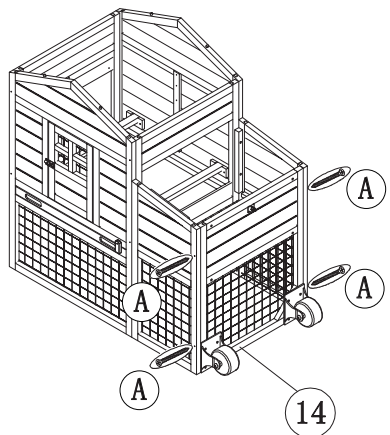
STEP 7



Insert ⑤ Tray, ⑩x2 Perches into the cage.

STEP 6

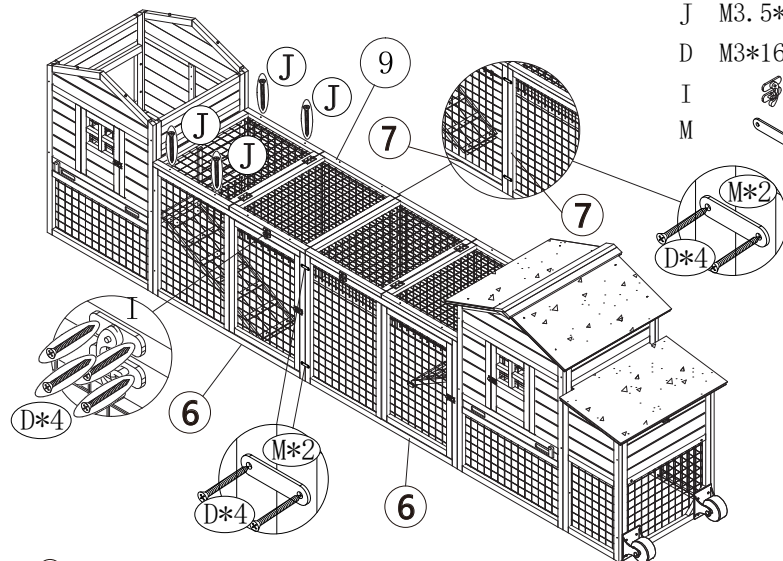
A M3.5*45 4PCS



Fix ⑭ Back panel of nesting box with screws.

STEP 8

J M3.5*40 4PCS
D M3*16 12PCS
I 1PCS
M 4PCS



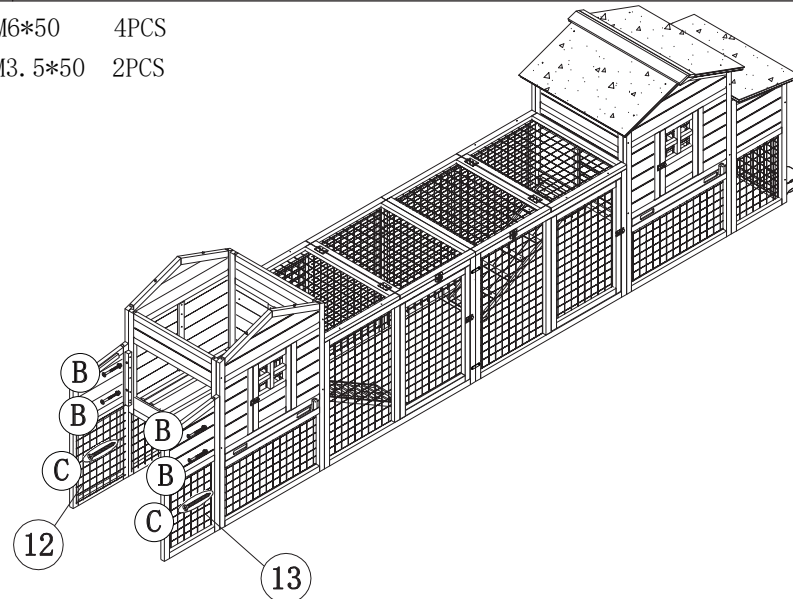
Fix ⑨ Roof of run with screws, and then fix (I)x2 Lock on ⑨ Roof of run and ⑦ Back panel of run with screws.

Fix 2PCS ⑦ Back panel of run with (M) Metal connector and screws.

STEP 24


Fix 2PCS ⑥ Front panel of run with (M) Metal connector and screws.

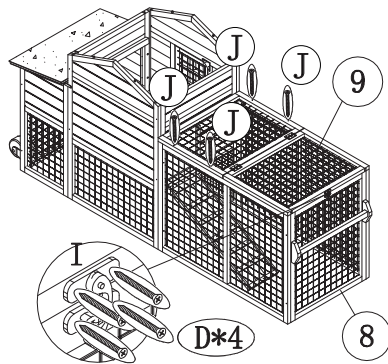
B M6*50 4PCS
C M3.5*50 2PCS



Connect ⑫ Left panel of nesting box and ⑬ Right panel of nesting box with screws.

STEP 25

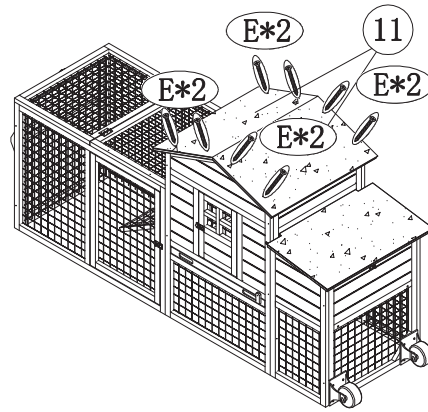
J M3. 5*40 4PCS
 D M3*16 4PCS
 I  1PC



Fix **9** Roof of run with screws, and then
 Fix (I) Lock on **9** Roof of run and **8** Left
 panel of run with screws.

STEP 13

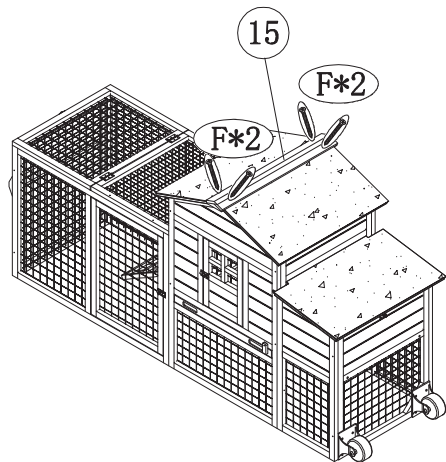
E M3. 5*30 8PCS



Fix **11**x2 Roof of sleeping house with screws.

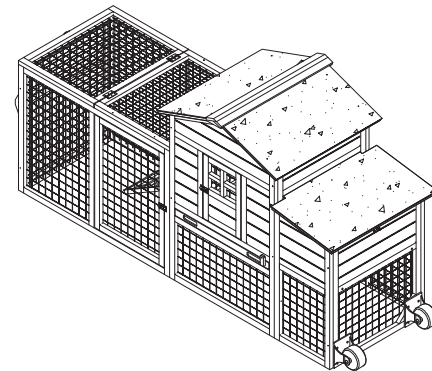
STEP 14

F M3. 5*25 4PCS



Fix **15** Ridge of sleeping house with screws.

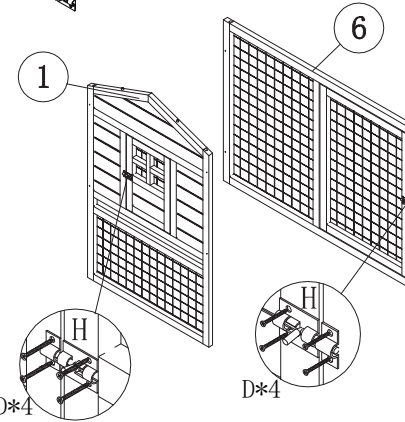
STEP 15



STEP 16

Assembly instructions for two sets connection

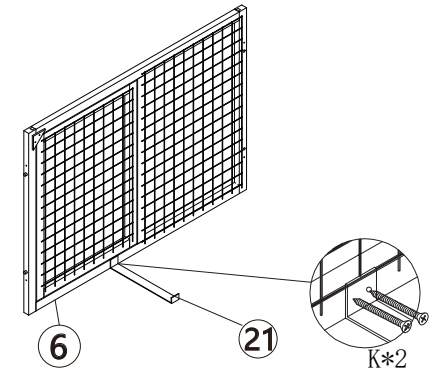
D M3*16 8PCS
 H  2PCS



Fix (H) Bolt on **1** Front panel of sleeping house
 with screws.
 Fix (H) Bolt on **6** Front panel of run with screws.

STEP 17

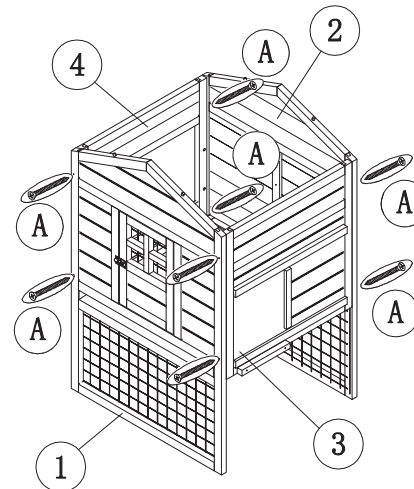
K M3*20 2PCS



Fix **21** Supporter of ramp on **6** Front panel of run
 with screws.

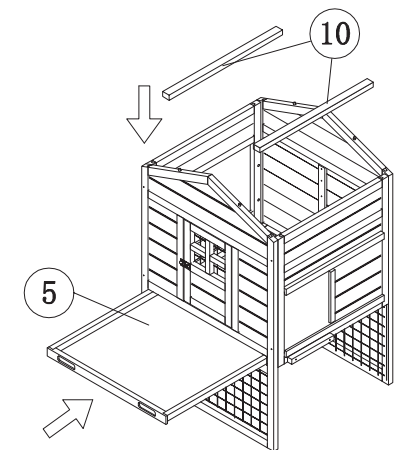
STEP 18

A M3. 5*45 8PCS



Connect **1** Front panel of sleeping house, **2** Back
 panel of sleeping house, **3** Left panel of sleeping
 house, **4** Right panel of sleeping house together
 with screws.

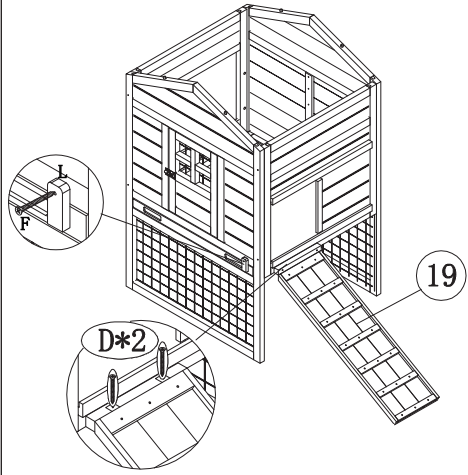
STEP 19



Insert **5** Tray, **10**x2 Perches into the cage.

STEP 20

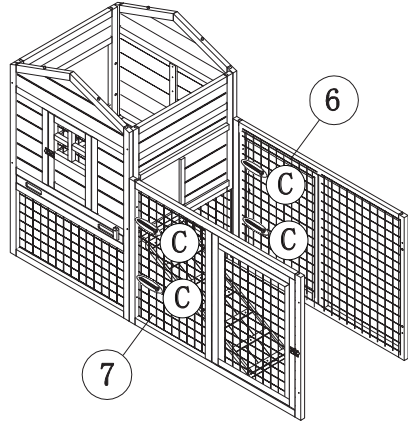
D M3*16 2PCS F M3.5*25 1PC
L  1PC



Fix **19** Ramp on the cage with screws.
Then Fix (L) Wooden knob on the cage with screws.

STEP 21

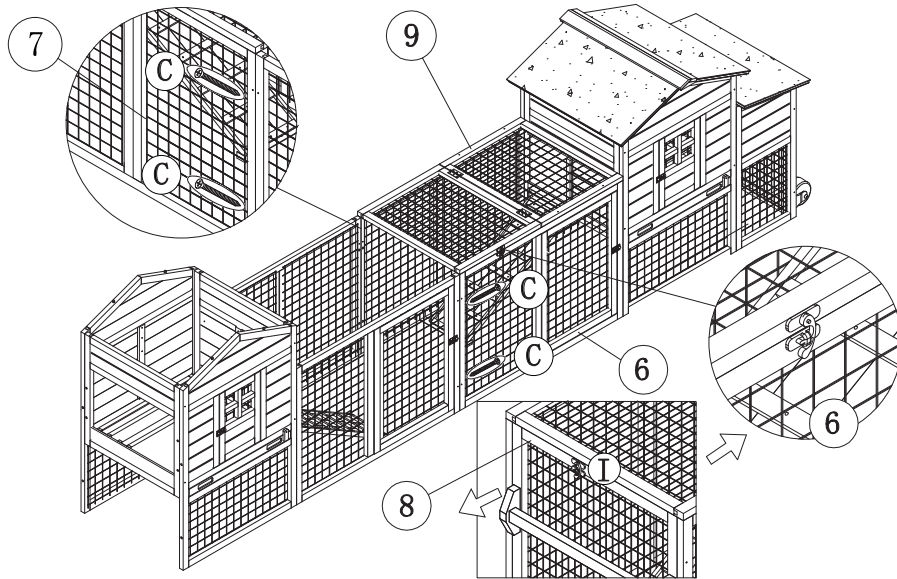
C M3.5*50 4PCS



Fix **6** Front panel of run **7** Back panel of run with screws.

STEP 22

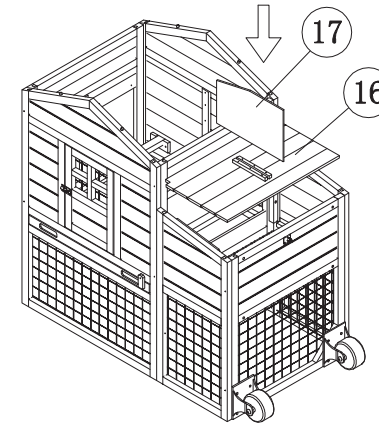
C M3.5*50 4PCS



Take down **8** Left panel of run and (I) Lock.
Then Fix **6** Front panel of run **7** Back panel of run with screws.
Then Fix (I) Lock on **6** Front panel of run and **9** Roof of run with screws.

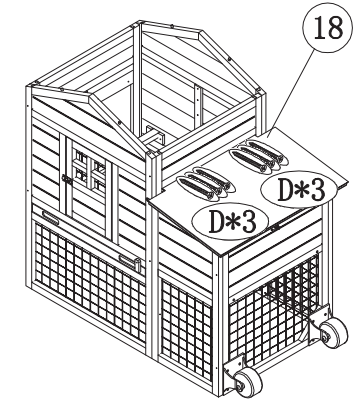
STEP 23

D M3*16 6PCS



Insert **16** Bottom panel of nesting box and **17** Divider panel of nesting box .

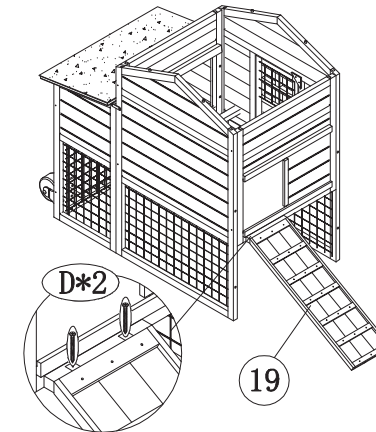
STEP 9



Fix **18** Roof of nesting box with screws.

STEP 10

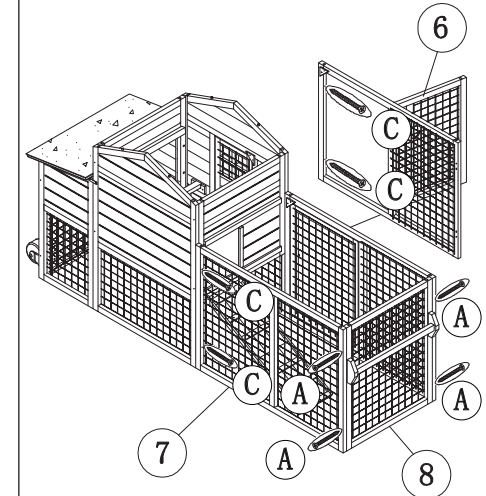
D M3*16 2PCS



Fix **19** Ramp on the cage with screws

STEP 11

A M3.5*45 4PCS
C M3.5*50 4PCS



Fix **6** Front panel of run, **7** Back panel of run with screws, then Fix **8** Left panel of run with screws.

STEP 12