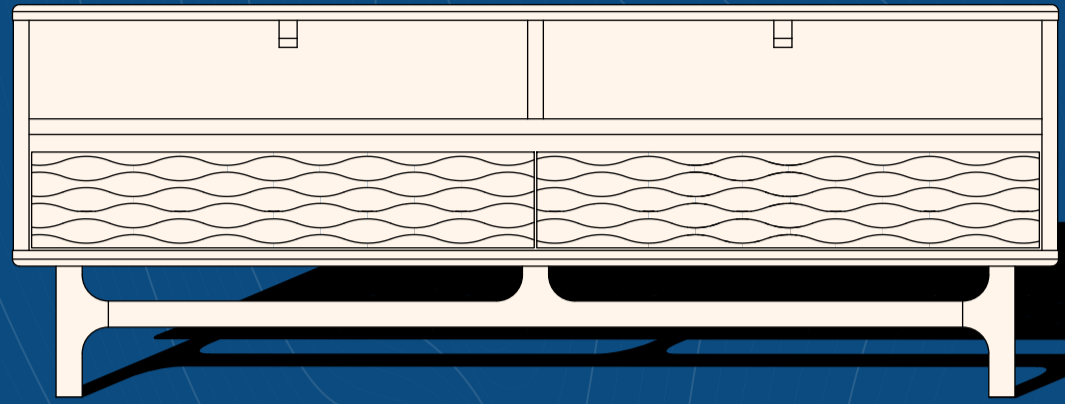
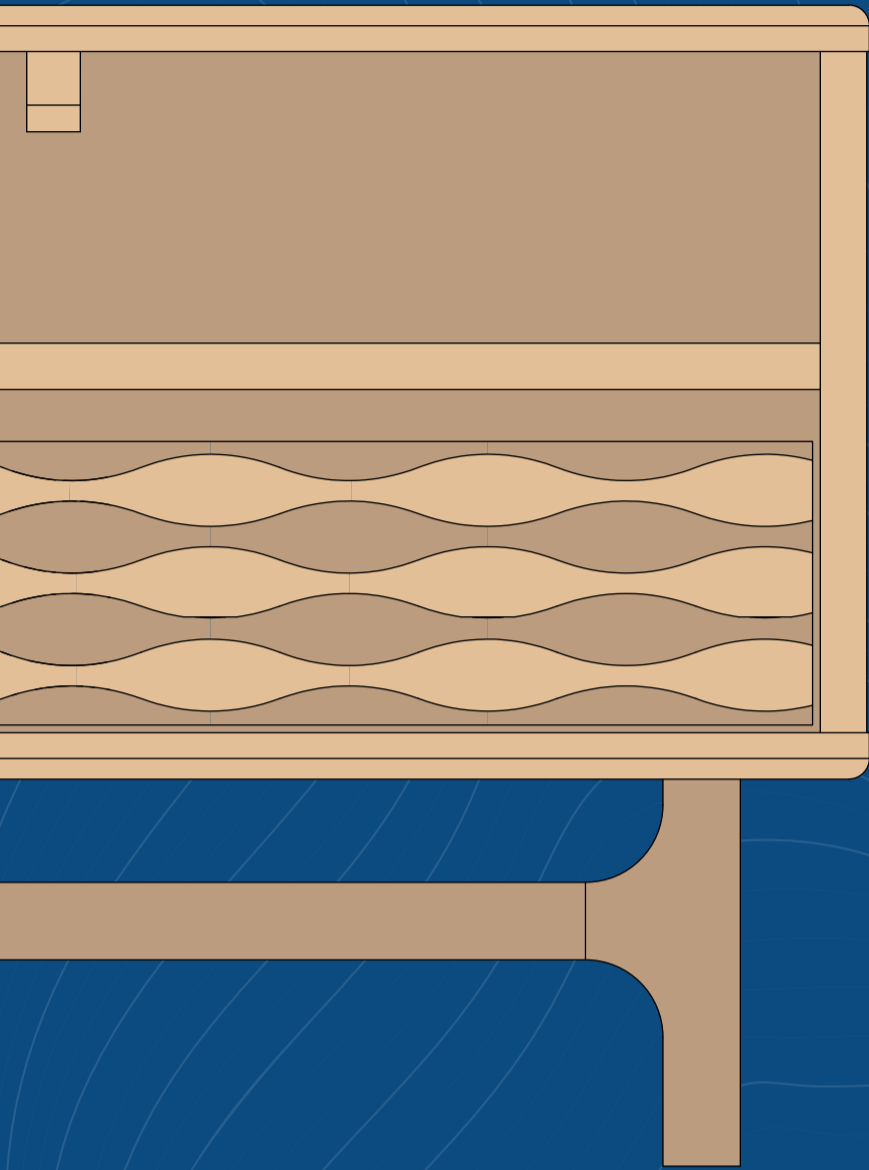


COFFEE TABLE

WITH STORAGE



Easy Assembly



1-2 Assembly Recommended

USE & CARE

- No waxing or oiling needed; clean with a soft, dry or damp cloth using mild soap and cool water.
- Wipe spills immediately; keep away from heat sources.
- Maintain stable humidity to prevent warping.
- Avoid direct sunlight to prevent fading.
- Do not drag sharp or rough objects to avoid scratches.
- Check regularly to ensure table legs are securely attached.

WARNING – SAFETY INFORMATION

- Read all instructions carefully before assembly and use. Incorrect assembly may cause instability or injury.
- Adult assembly required. Keep small parts, tools, and packaging away from children – risk of choking or suffocation.
- Check and tighten all screws and fittings periodically. Loose parts can lead to instability or collapse.
- Adult assembly required; use only as intended.
- Place on a flat, stable, and level surface to prevent tipping or uneven load distribution.
- Place away from walkways to prevent tripping.
- Do not stand, sit, lean heavily or climb on the tabletop or use it as a ladder or step.
- Periodically check and retighten fittings.
- Avoid placing the table near heat sources (e.g., ovens, radiators, open flames, or direct sunlight) to prevent warping or surface damage.
- Do not exceed the recommended weight capacity. Uneven or excessive load may cause damage or collapse.
- Do not drag the table; lift carefully to move.
- Dispose of packaging materials properly. Plastic bags and foams may pose suffocation hazards.
- If the table becomes unstable, stop using it immediately and recheck all assembly points and surface balance.
- Failure to follow these safety precautions may result in personal injury, property damage, or loss of warranty coverage.

WARRANTY INFORMATION

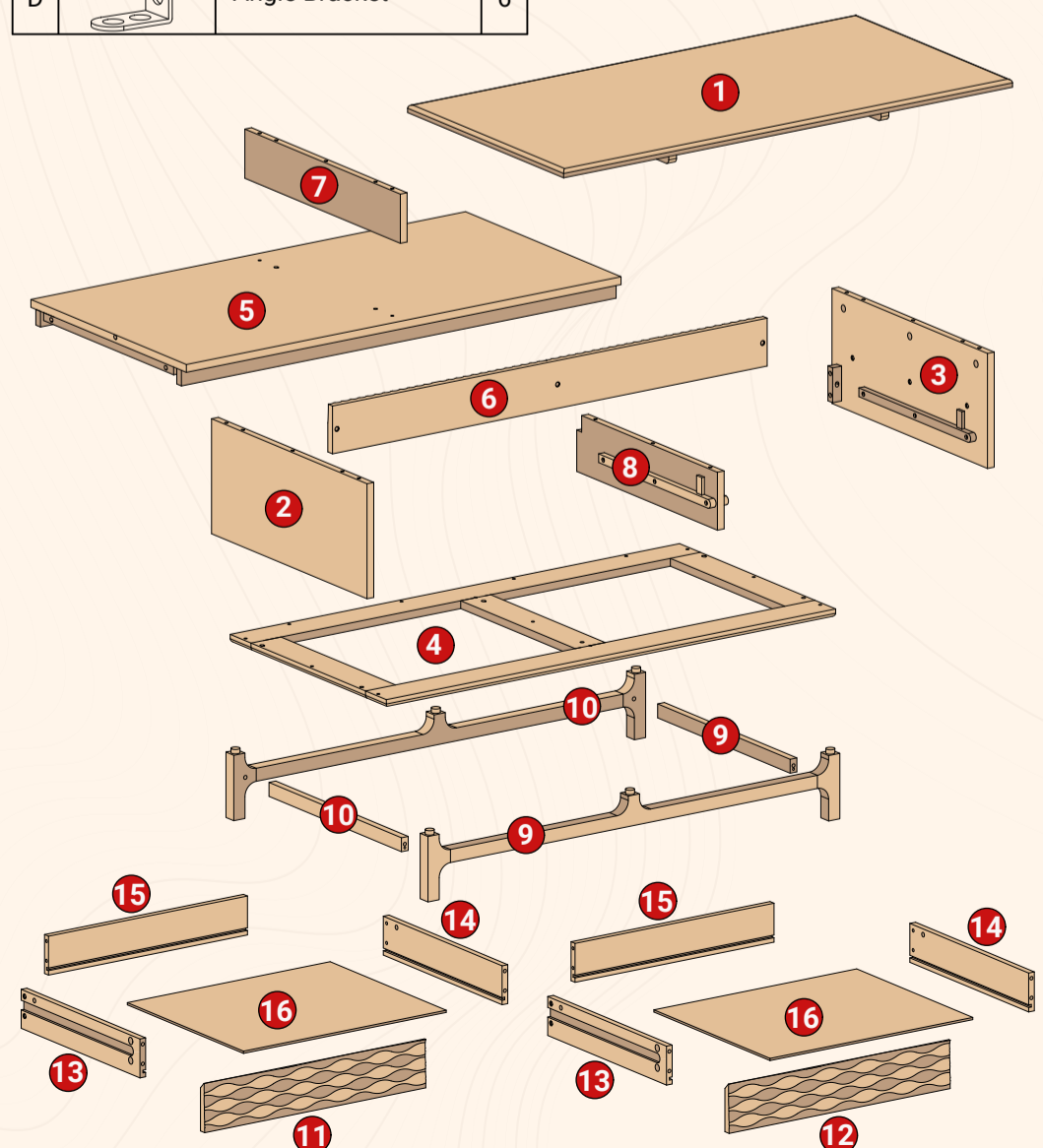
- Valid only for the original purchaser and when purchased from an authorized retailer
- Warranty covers defects in materials or workmanship only
- Excludes damage from misuse, accidents, alterations, improper assembly, or normal wear and tear.
- Proof of purchase required; photos of defects are recommended.
- ACACIA is not liable for indirect, incidental, or consequential damages.

You can find full details about our satisfaction guarantee and warranty available in the product information section for your reference

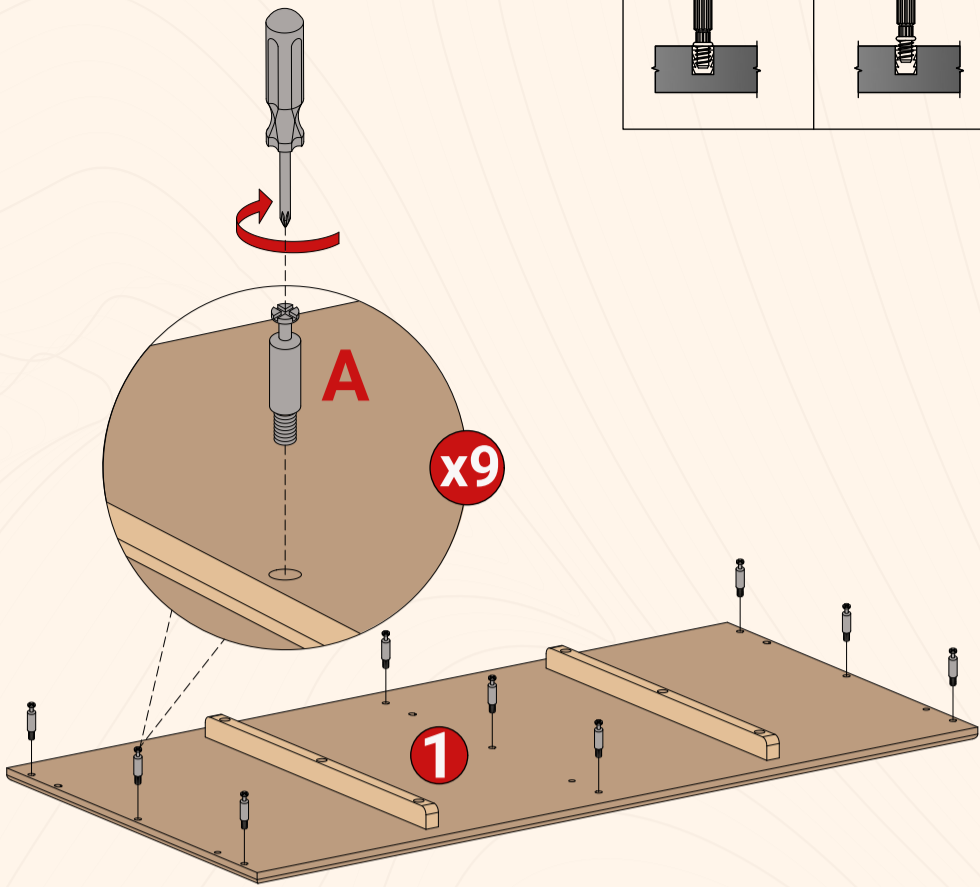
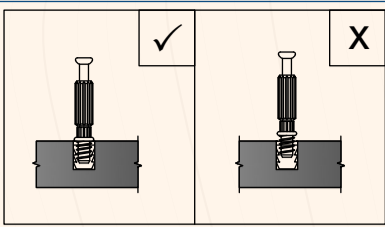
Our qualified staff is ready to assist you with any technical issues during installation or configuration - just reach out through our website

HARDWARE LIST

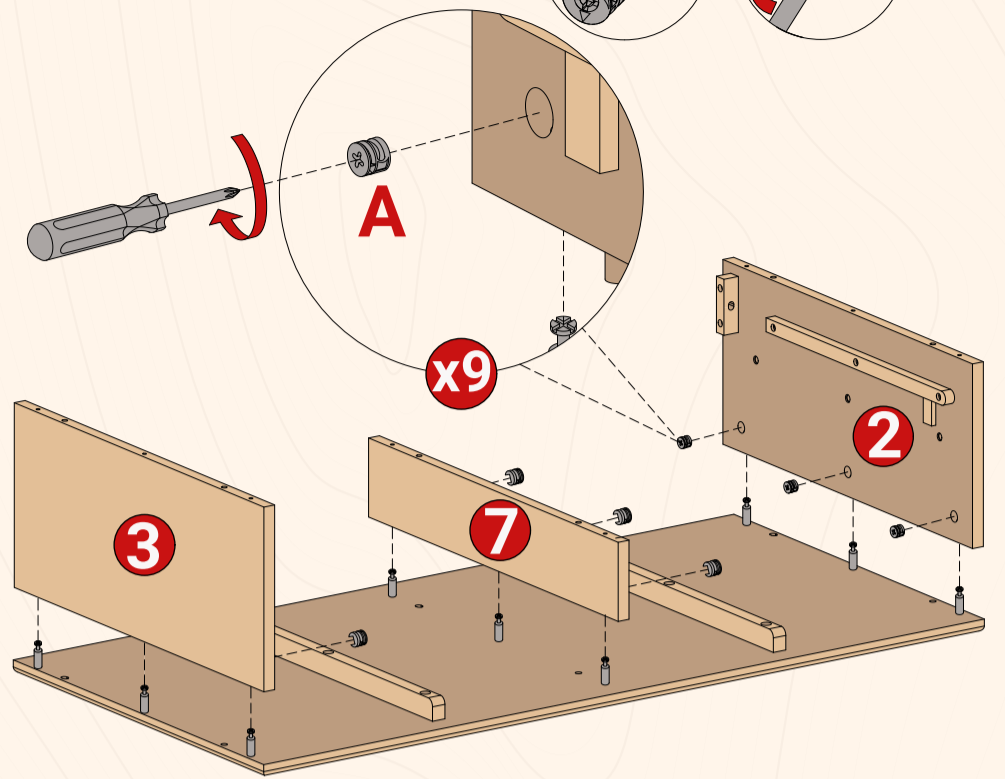
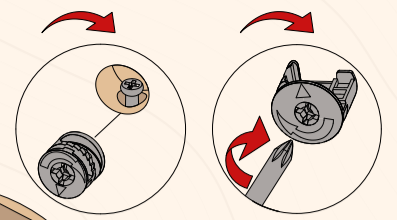
A		Camlock M6x30	24	E		Screw M4x15	12
B		Bolt M6x 30	8	F		Screw M7x40	13
C		Bolt M6x 15	6	G		Allen Key M4	1
D		Angle Bracket	6				



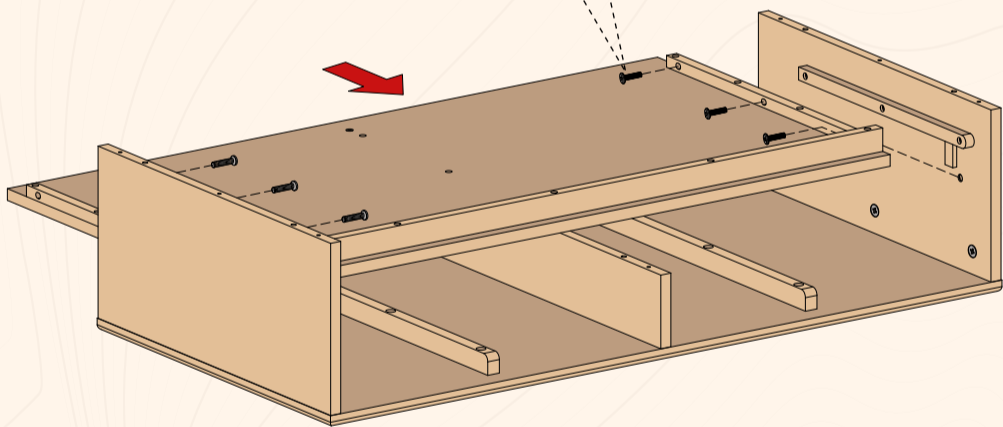
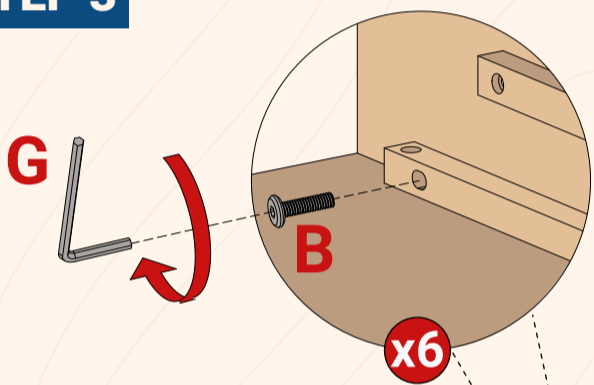
STEP 1



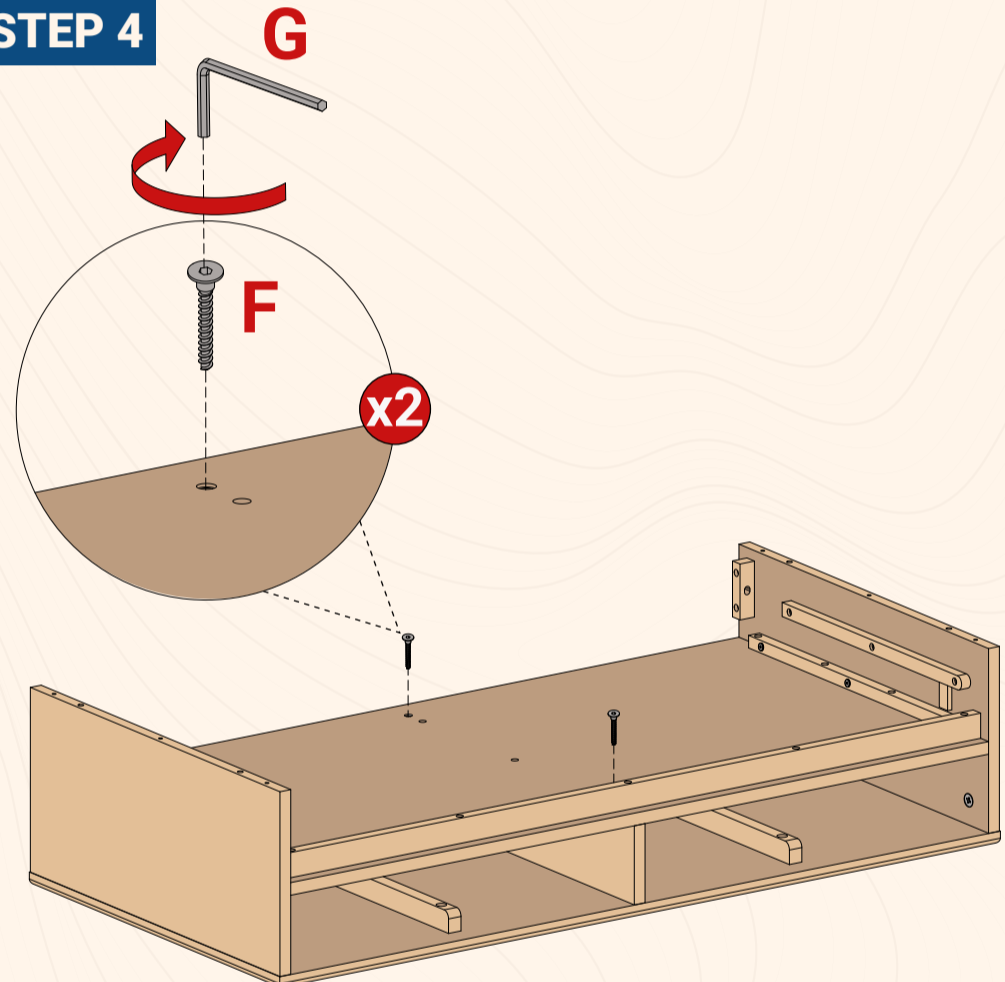
STEP 2



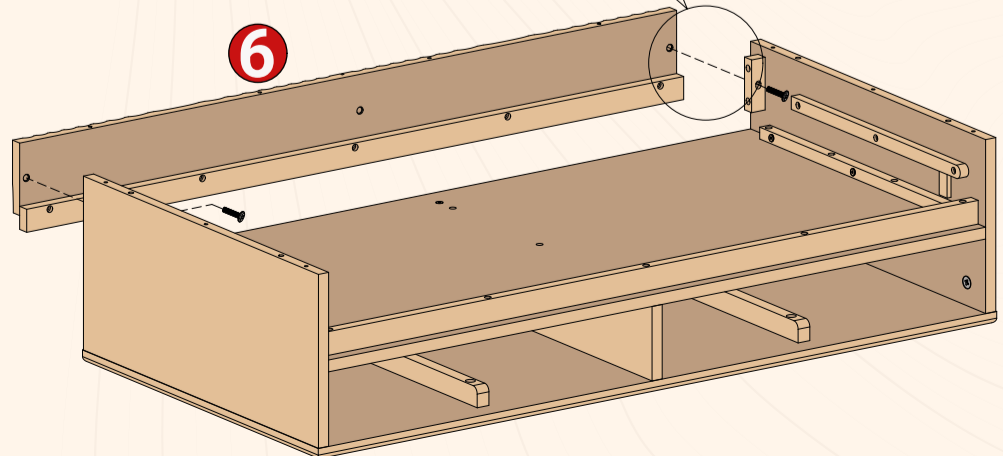
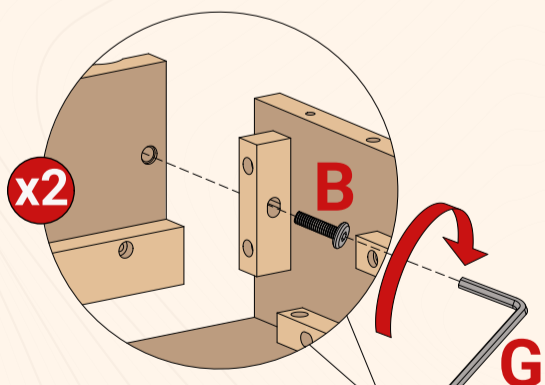
STEP 3



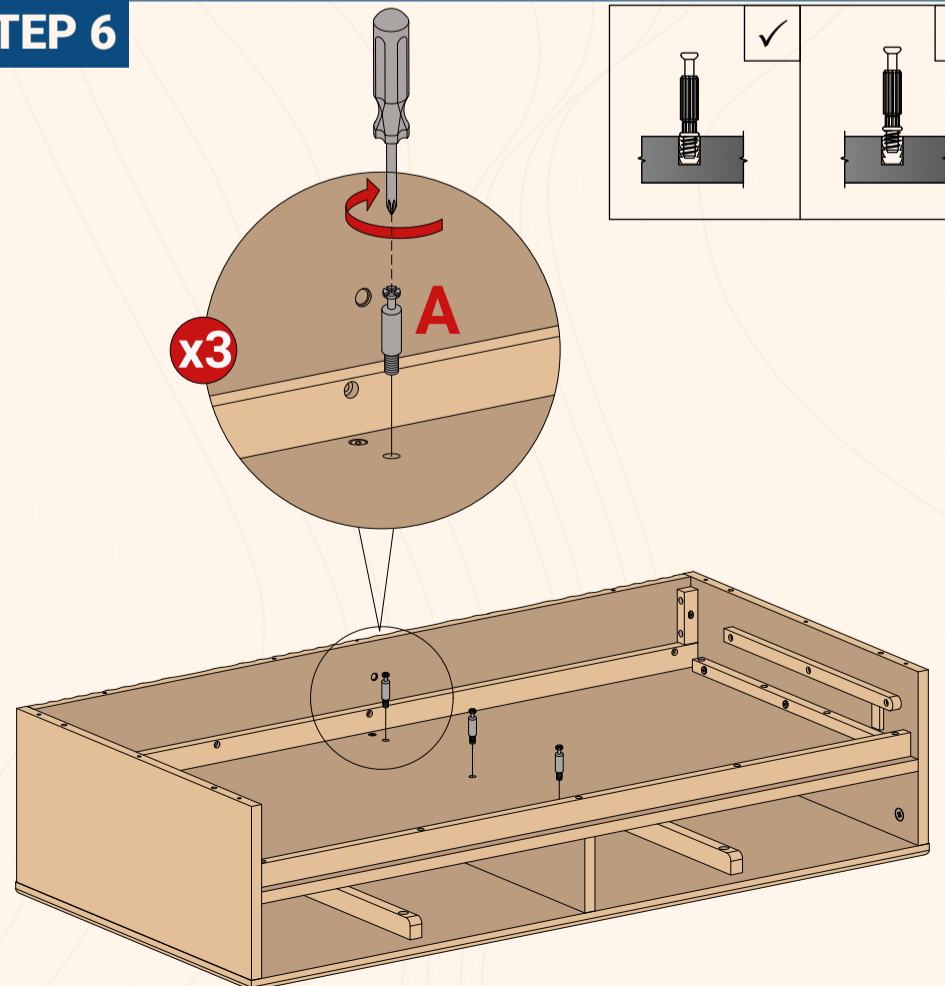
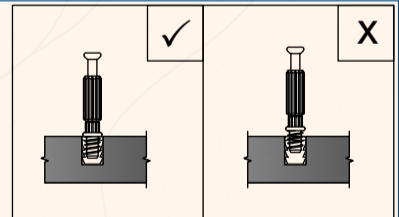
STEP 4



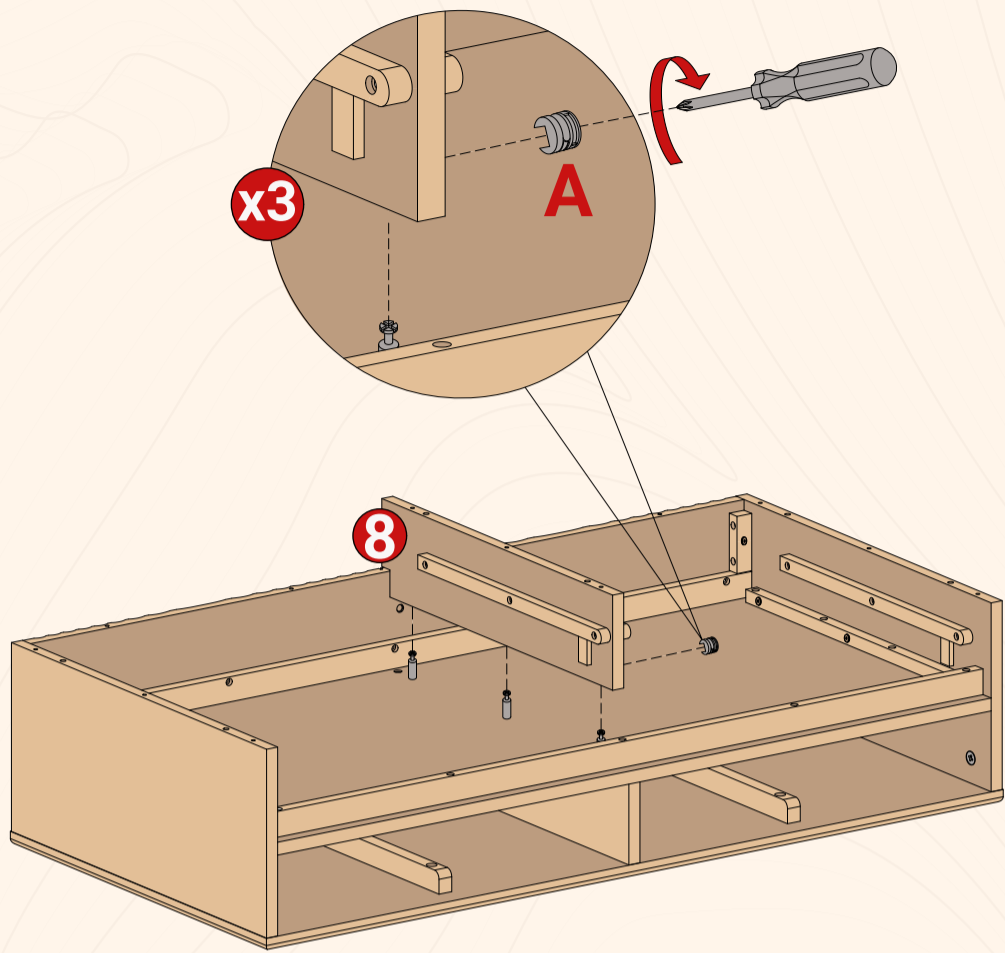
STEP 5



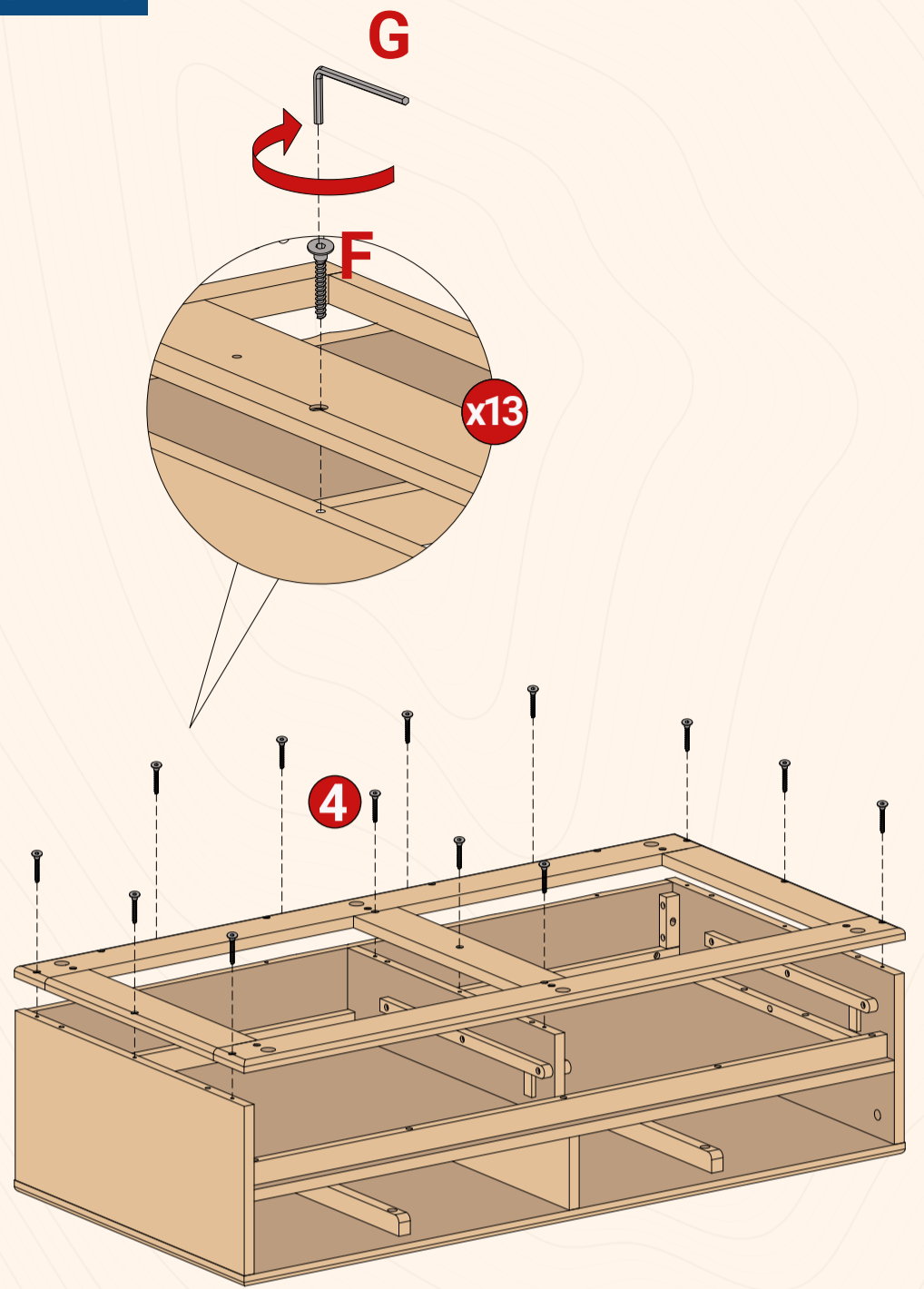
STEP 6



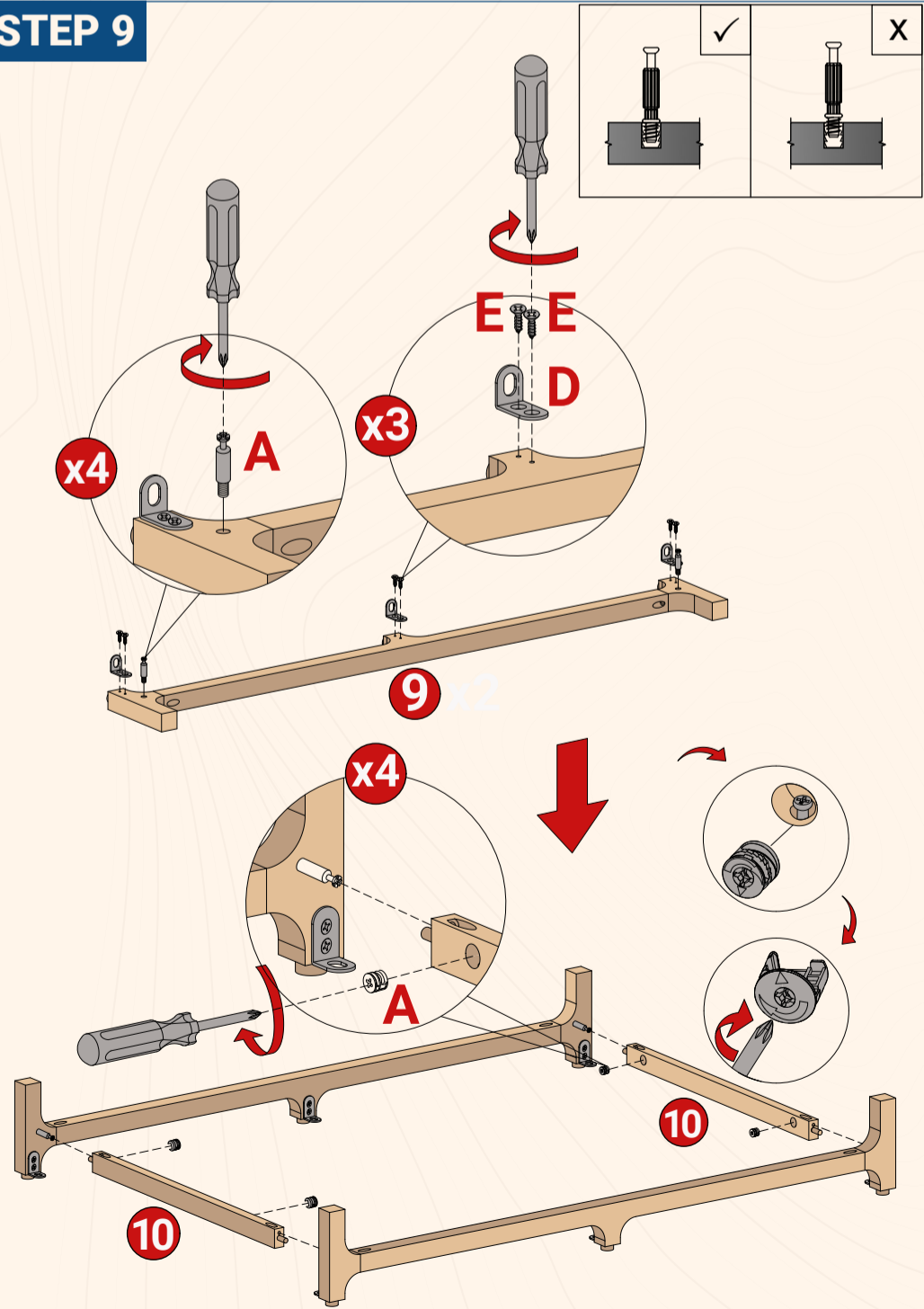
STEP 7



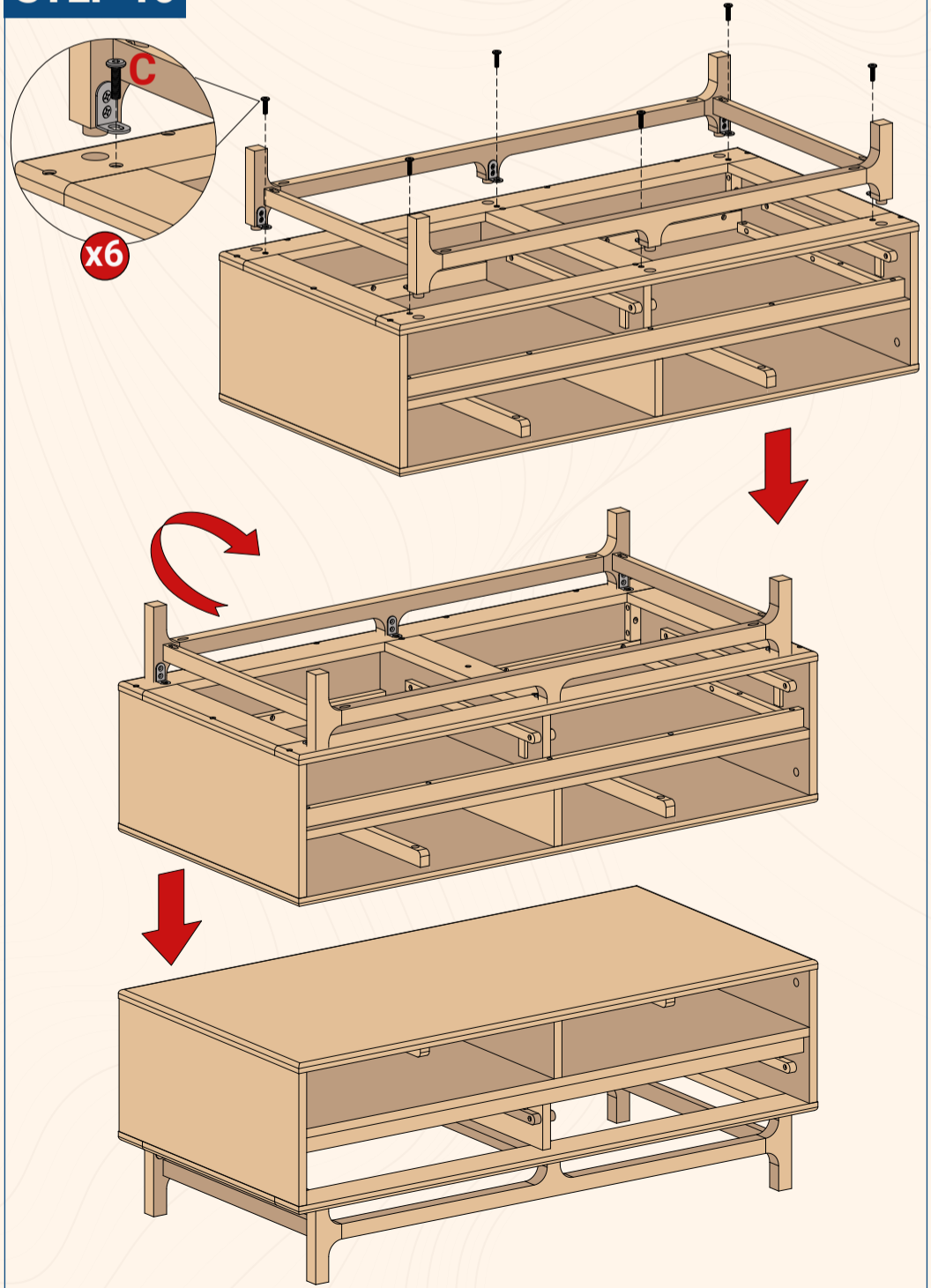
STEP 8



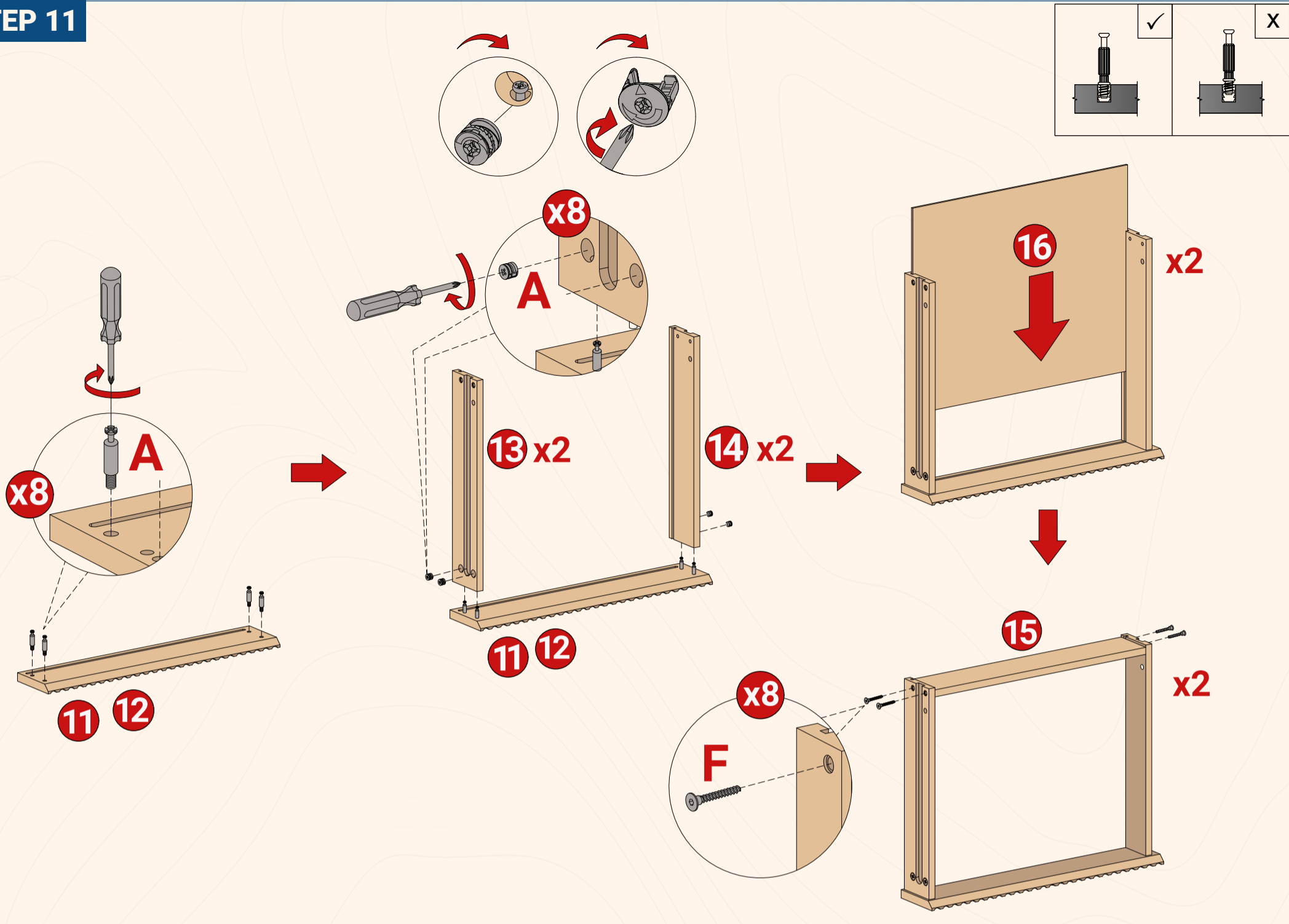
STEP 9



STEP 10



STEP 11



STEP 12

