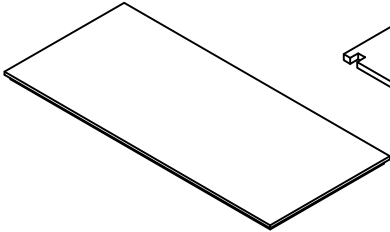
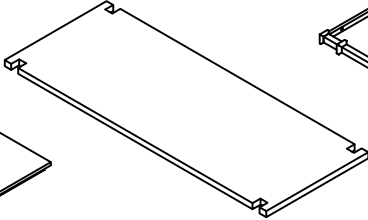
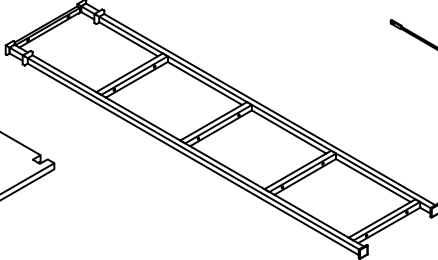
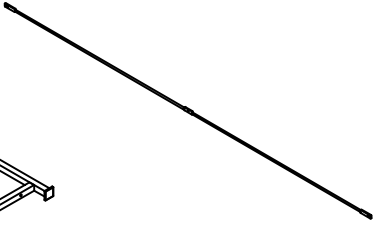
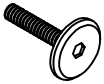
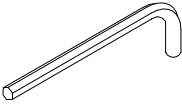

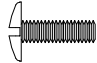



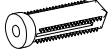


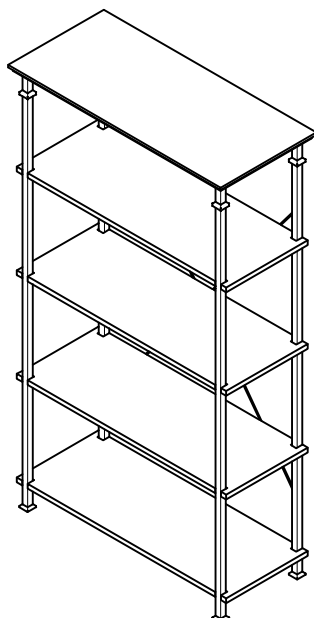


# ASSEMBLY INSTRUCTION

## FINISH LARGE BOOKCASE

<b>A</b> Top panel  1PC	<b>B</b> Lower panel  4PCS	<b>C</b> Side frame  2PCS	<b>D</b> Tension bar  2PCS
<b>E</b> Screw 1/4"X1"XØ16  4PCS	<b>F</b> Allen wrench  1PC	<b>G</b> Wood screw  16PCS	<b>H</b> Machine screw 3/16"X1/2"mm  5PCS
<b>I</b> Nut  1PC	<b>J</b> Spanner wrench  1PC	<b>K</b> Wood screw 4 X 25 X 6mm  2PCS	<b>L</b> Wall anchor  1PCS
<b>M</b> Mounting tab  4PCS	<b>N</b> Plastic mounting strap  2PCS		

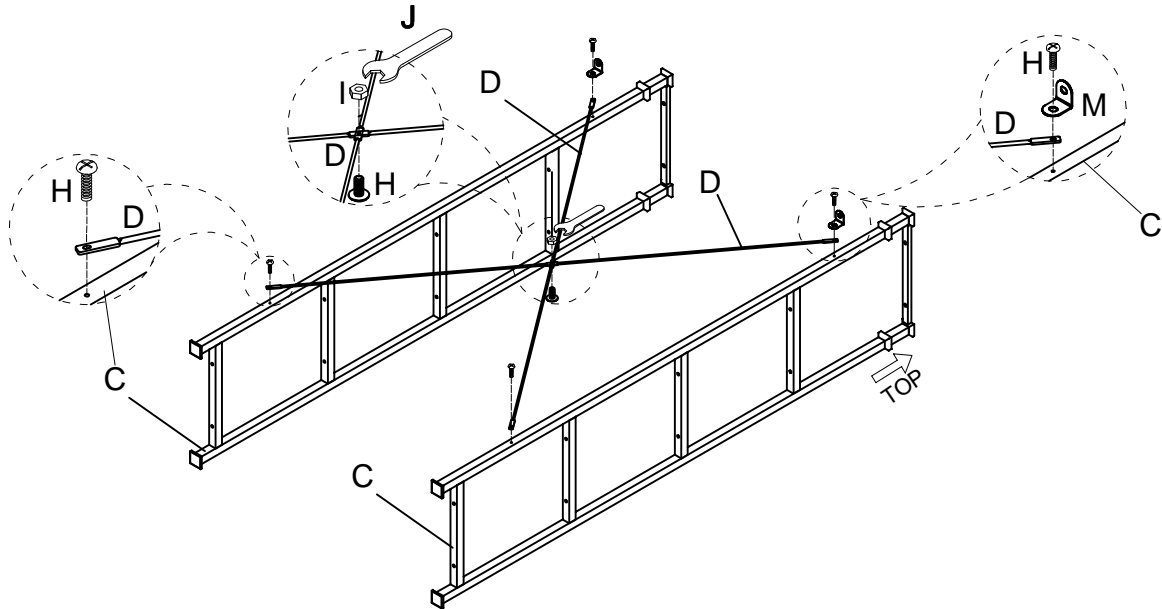


This page lists all the contents included in the box. Please take the time to identify the hardware as well as the individual components to this product. As you unpack and prepare for assembly, place the contents on a carpeted or padded area to protect them from damage.

\*\*\* Do not tighten screws & bolts until the entire unit is completely assembled.

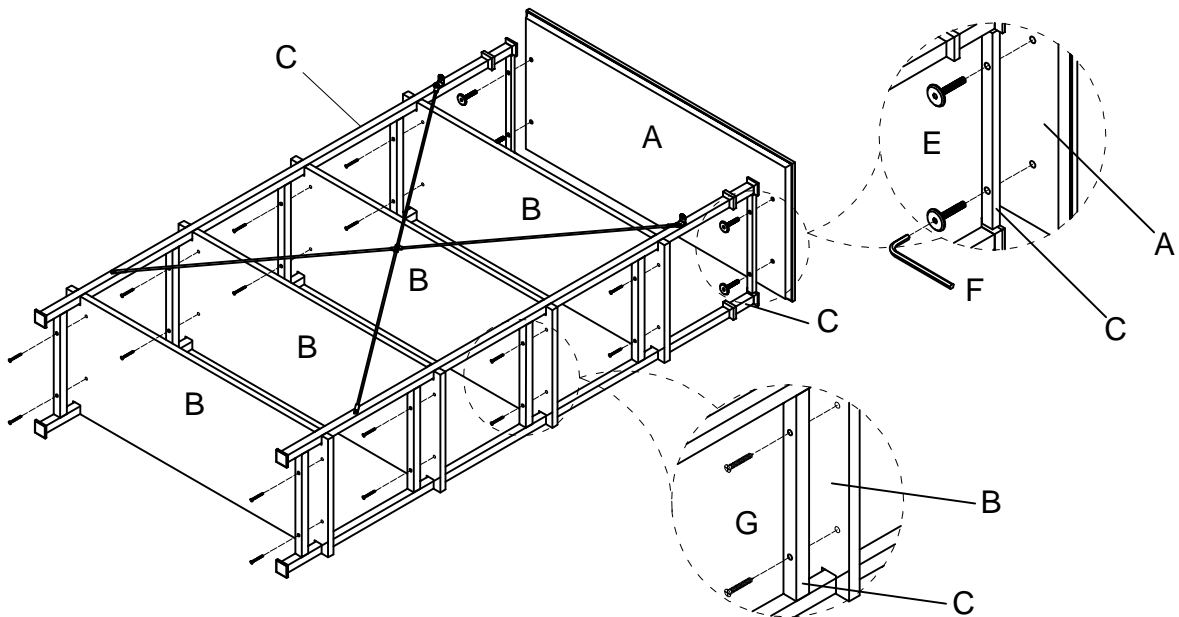
1

Attach Tension bar (D) to Side frame (C) using Machine screw (H) and a Phillips Head Screwdriver as shown. Secure the TOP by aligning Mount tabs (M) attaching Machine screw (H) using screwdriver. Then, secure the MIDDLE using Machine screw (H) and Nut (I). While holding Nut (I) with supplied Spanner wrench (J), but not tighten it.



2

Attach Side frame (C) to Top panel (A) using Screw (E) and Allen wrench (F) as shown. Attach side frame (C) to Lower panel (B) using Wood screw (G) and a Phillips head Screwdriver as shown. Tight all Screws and Carefully turn the assembled unit upright.



# 3

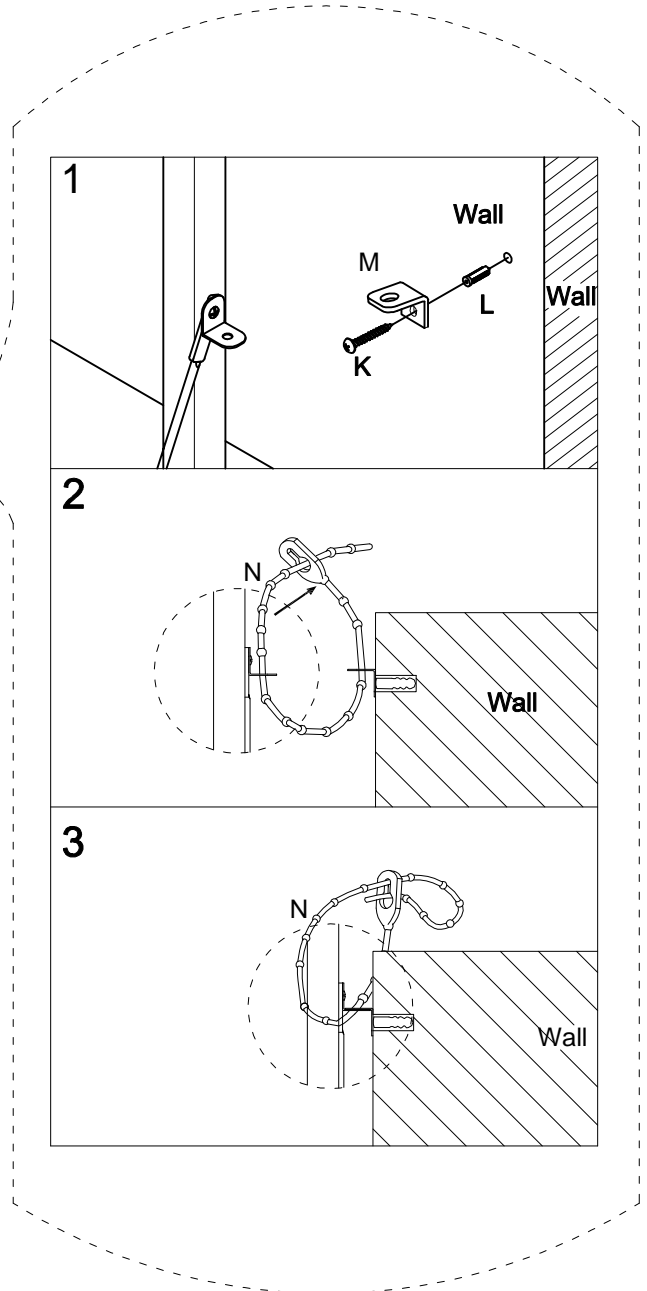
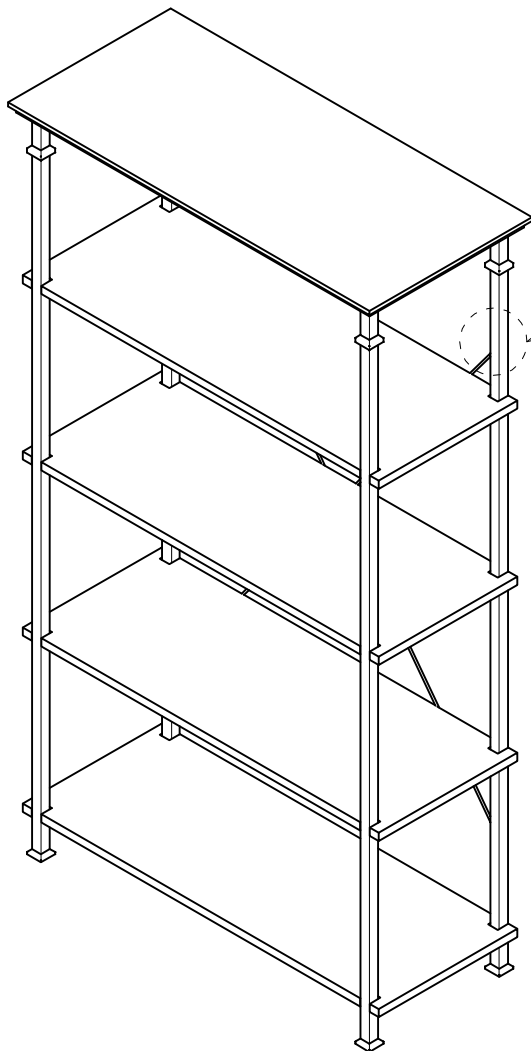
**\*NOTE: WE RECOMMEND THAT YOU ATTACH THE PRODUCT TO YOUR WALL AS A SAFETY PRECAUTION.**

Drill 2 (Two) holes in your wall approximately 2" (Two inches) BELOW the corresponding positions of Mounting Tabs (M) and insert Plastic Sockets (L) as shown.

**\*NOTE: You may need to tap LIGHTLY with a rubber mallet.**

Attach Mounting Tabs (M) to Plastic mounting straps (N) with Wood Screws (K), making sure the Tabs extend UPWARD.

Now connect the corresponding Mounting Tabs (M) with Plastic mounting straps (N) and tighten as desired before locking in place.



## Cleaning & Care

Treat surface with care. Surface is resistant to scratches but is not scratch resistant. Clean surfaces with a dry or damp soft cloth. Do not use abrasive cleaners. Hardware may loosen over time. Periodically check that all connections are tight.