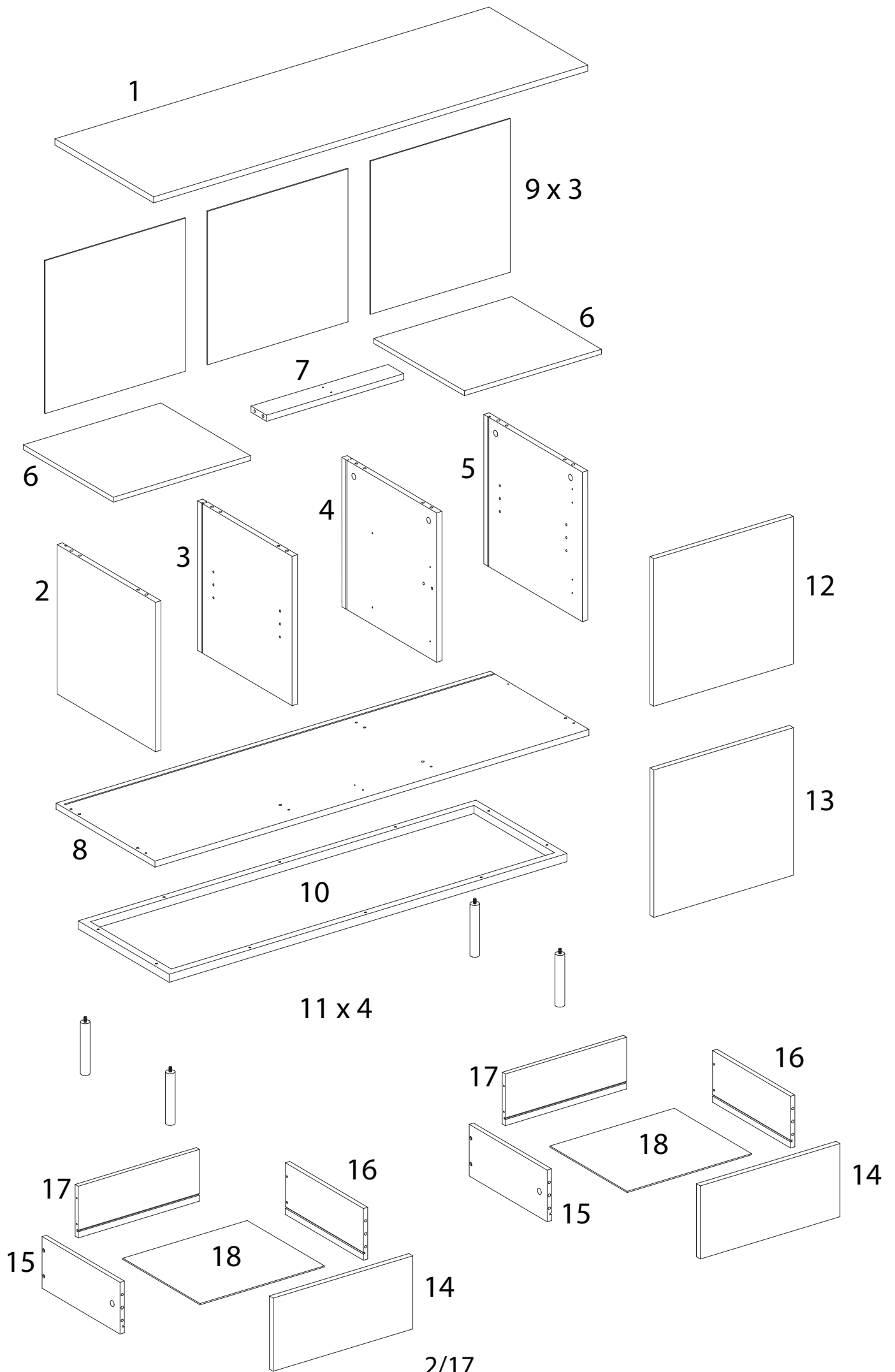
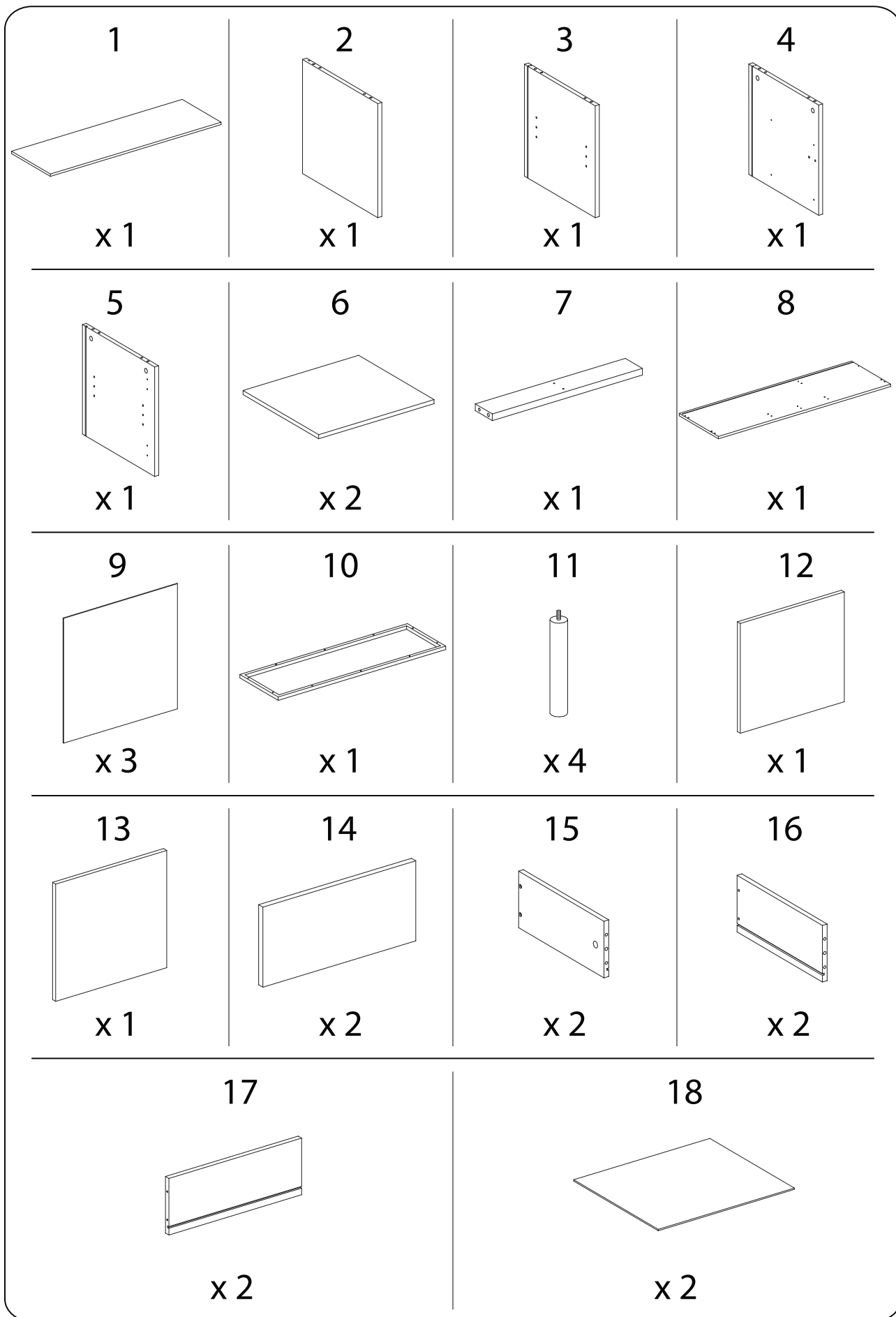


Assembly instructions for step 1/17:

- Tools:** A screwdriver is shown as the required tool. A power drill is shown with a diagonal line through it, indicating it is not to be used.
- Warning:** A warning triangle with an exclamation mark is positioned to the right of the tool icons.
- Time:** A clock icon indicates that this step takes 90 minutes to complete.
- Personnel:** An icon of a person indicates that two people are required for this step.



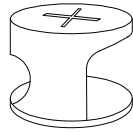


A



x 14

B



x 14

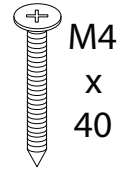
C



M8
x
30

x 18

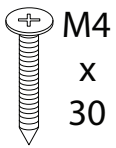
D



M4
x
40

x 8

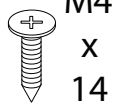
E



M4
x
30

x 8

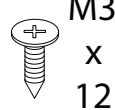
F



M4
x
14

x 16

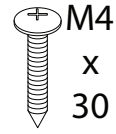
G



M3
x
12

x 28

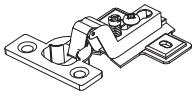
H



M4
x
30

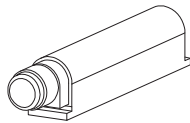
x 10

I



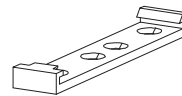
x 4

J



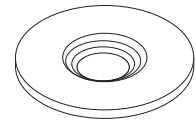
x 4

K



x 4

L



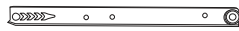
x 4

M



x 2

N



x 2

O



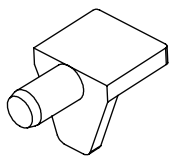
x 2

P



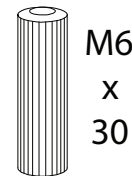
x 2

Q



x 8

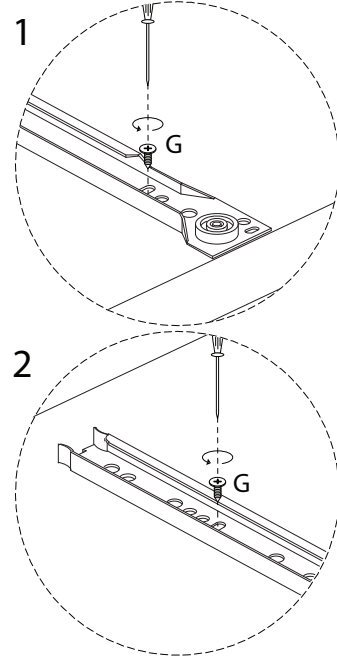
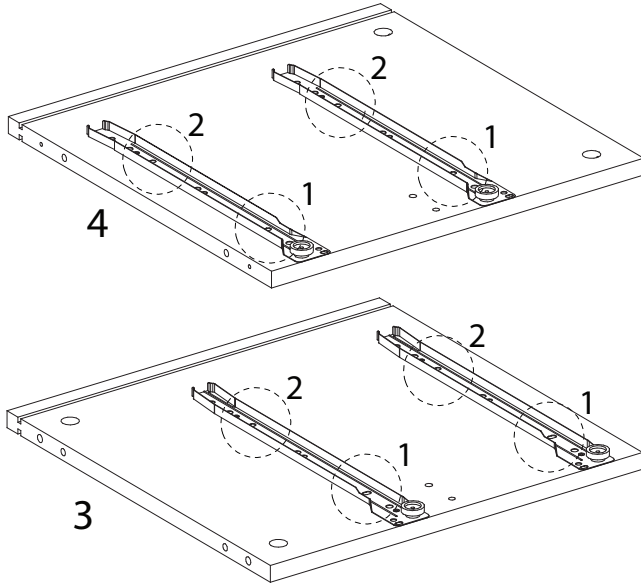
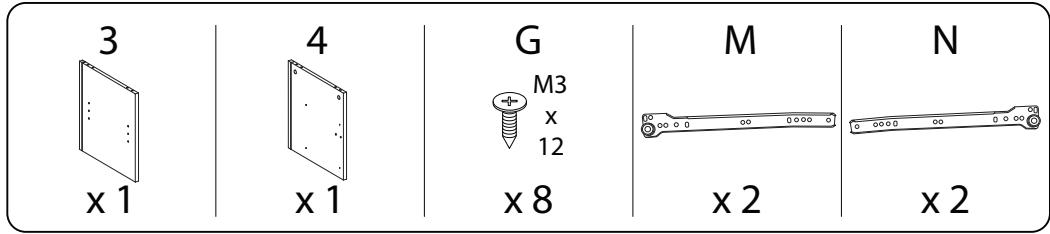
R



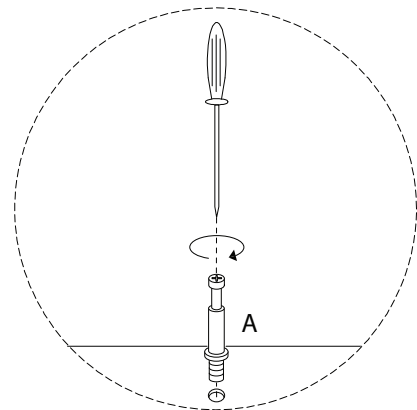
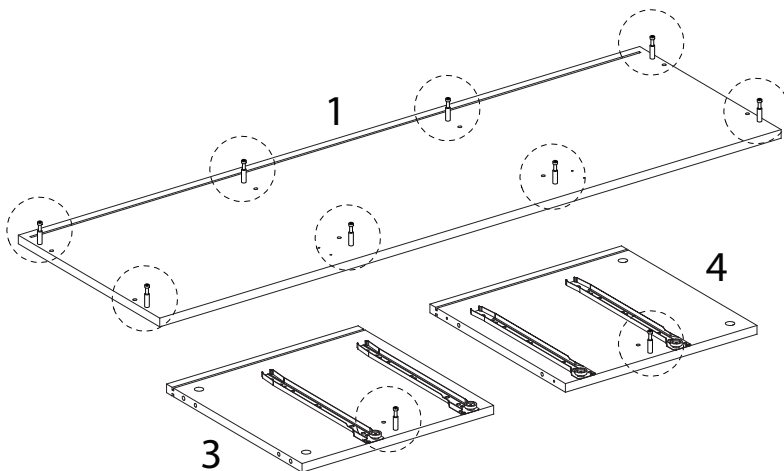
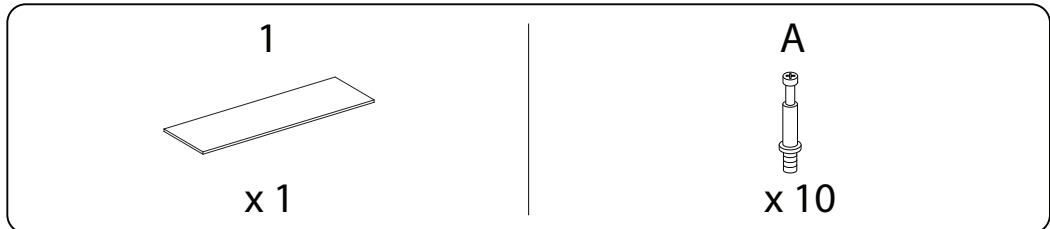
M6
x
30

x 8

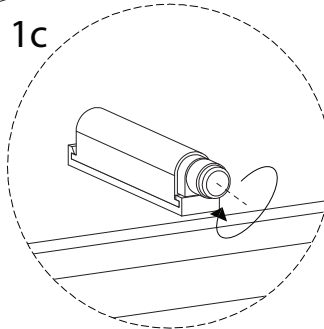
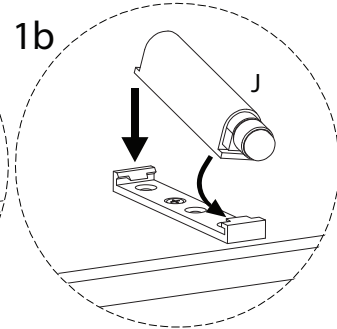
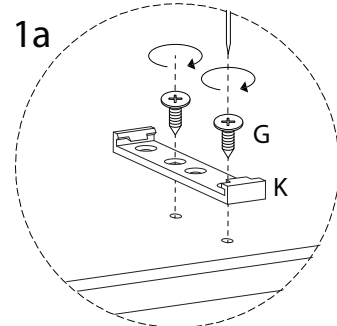
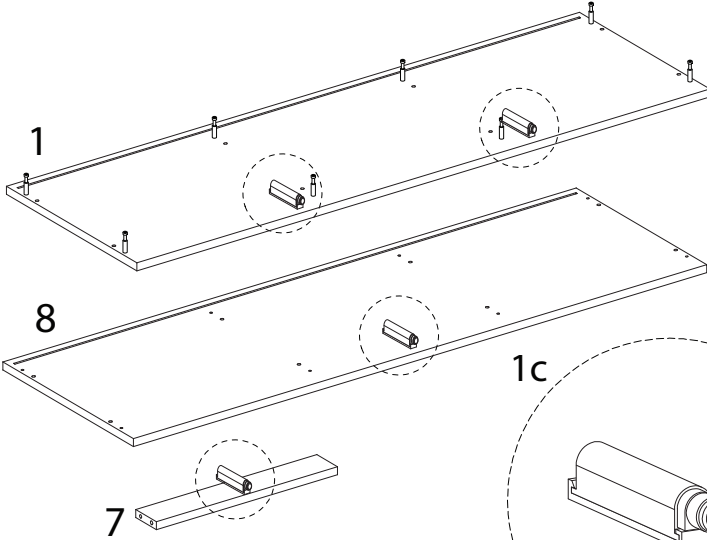
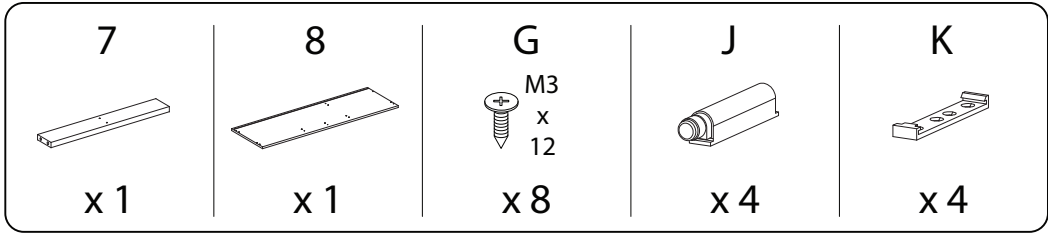
1



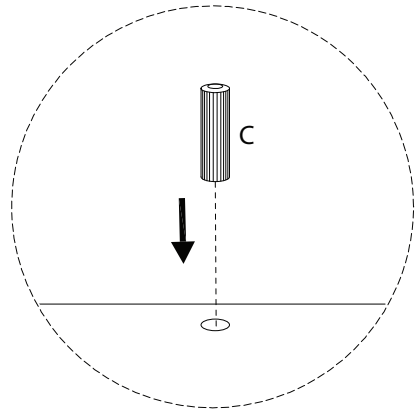
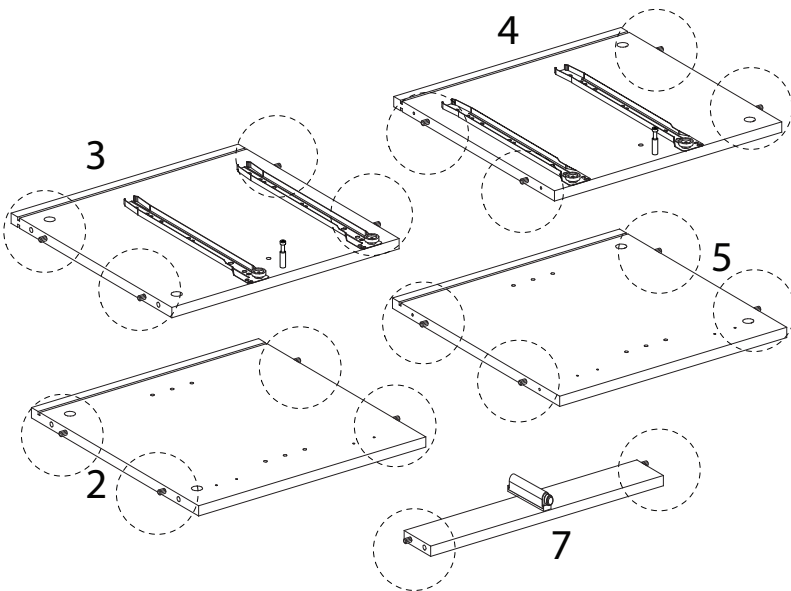
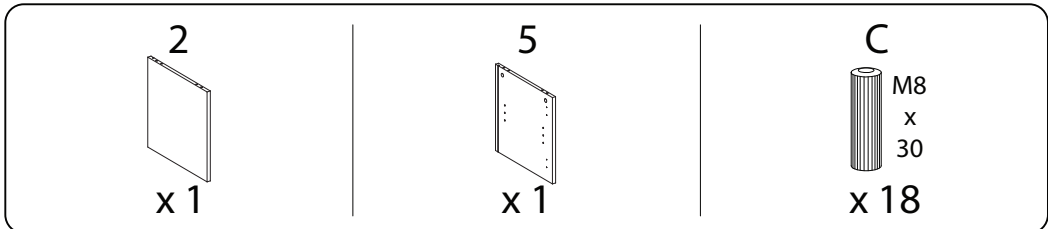
2



3



4

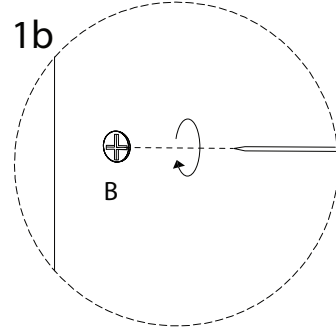
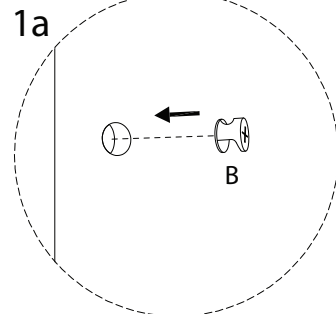
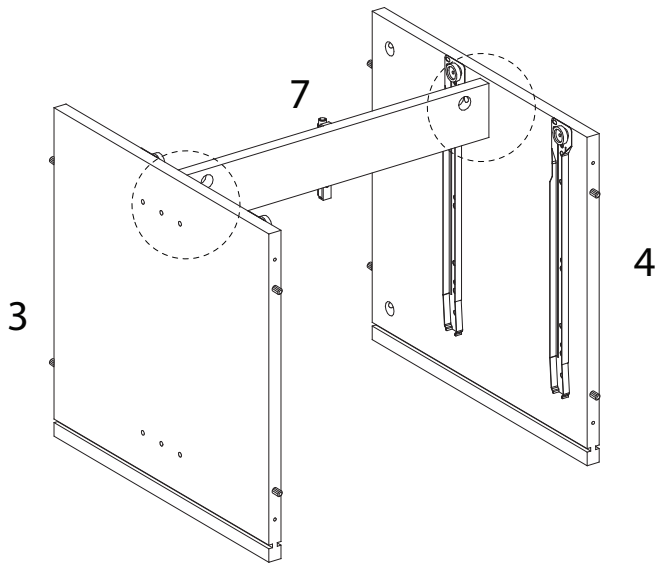


5

B



x 2

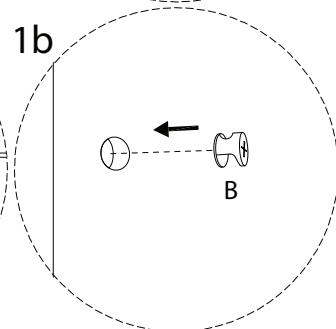
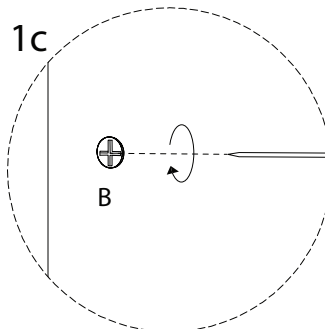
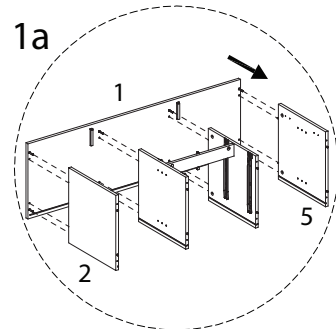
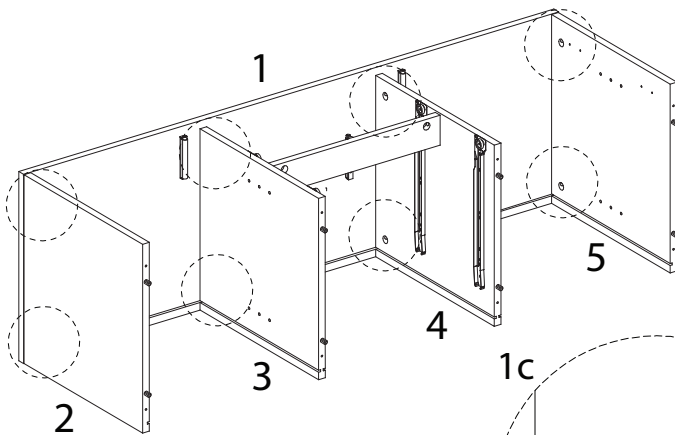


6

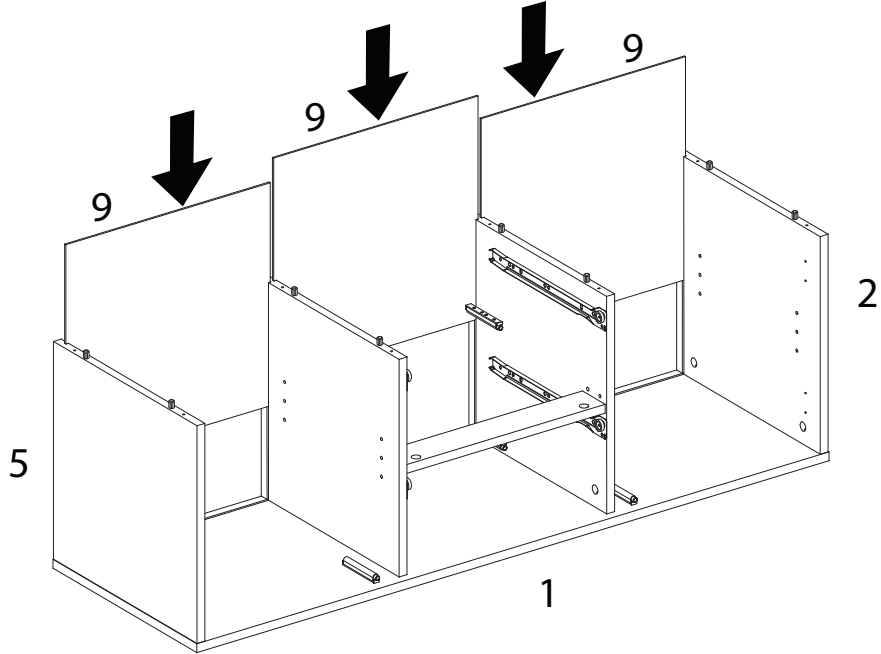
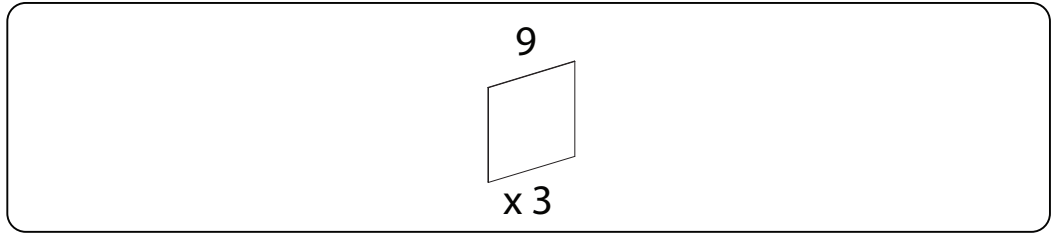
B



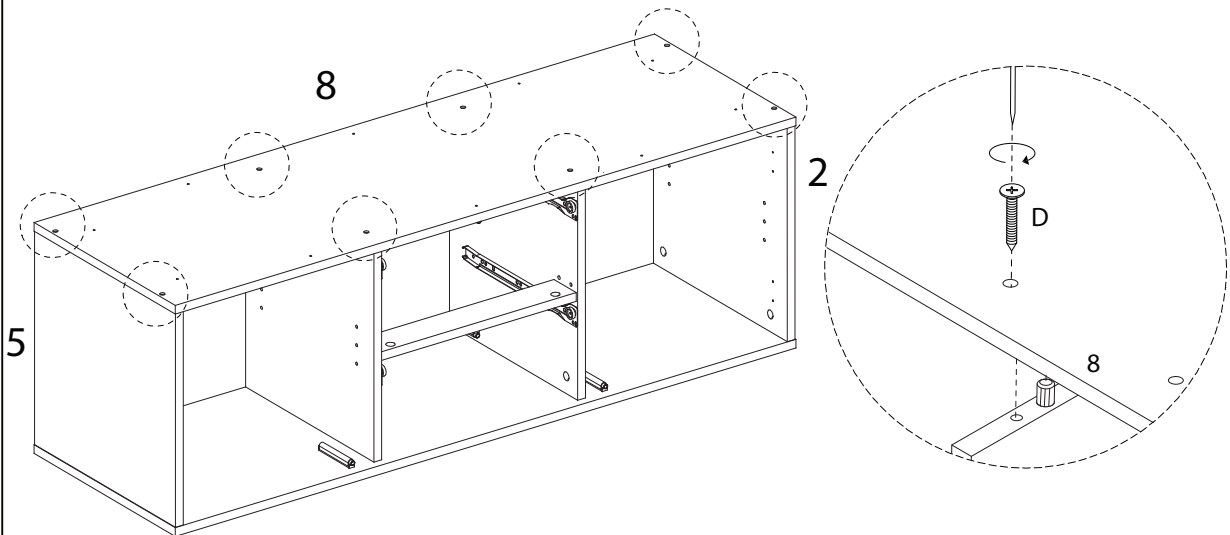
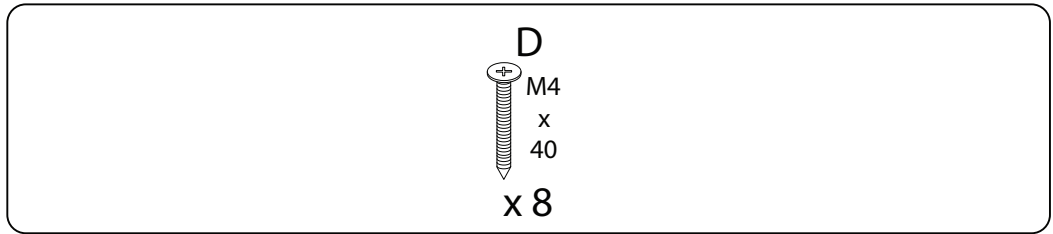
x 8



7

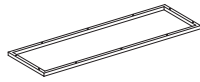


8



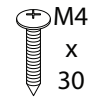
9

10

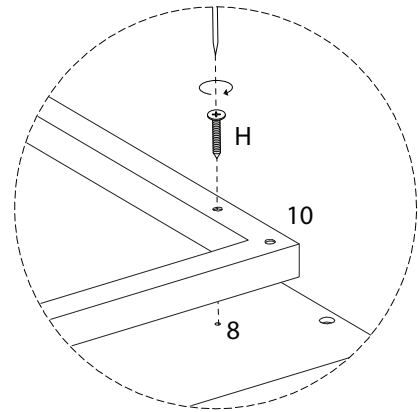
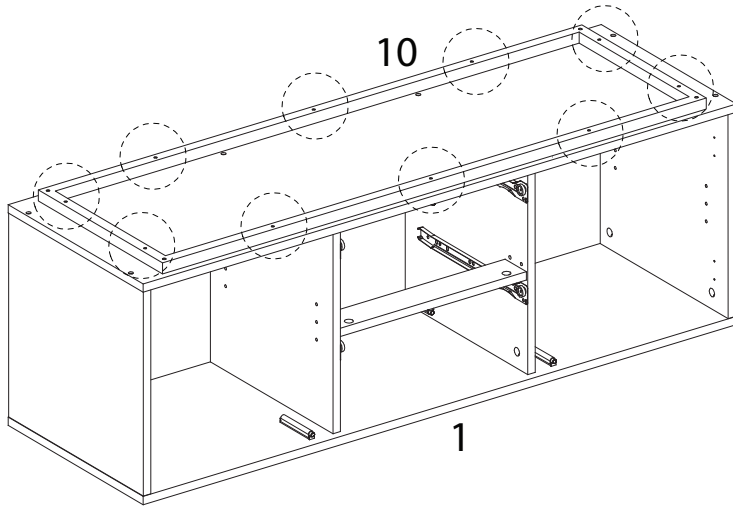


x 1

H



x 10

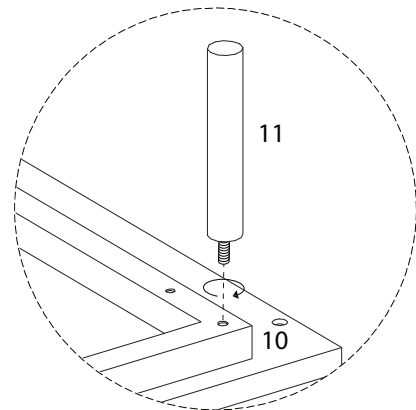
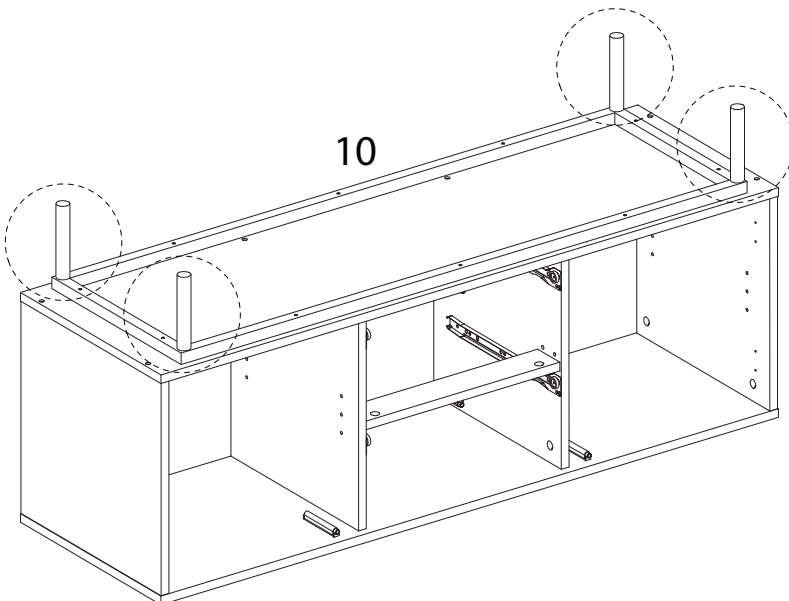


10

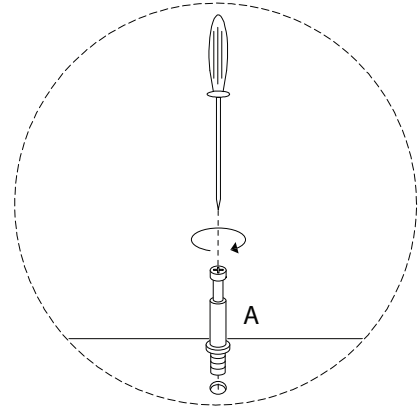
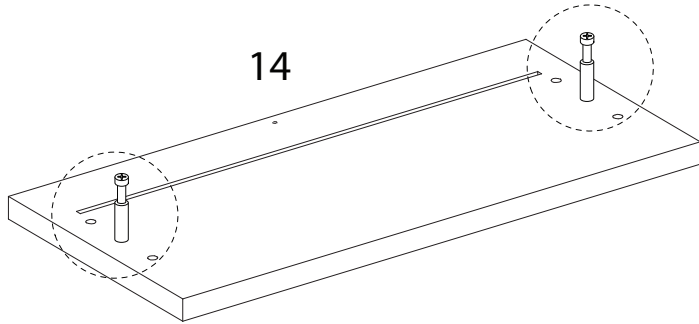
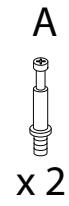
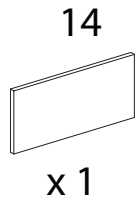
11



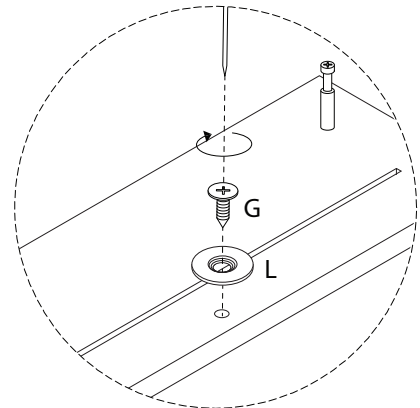
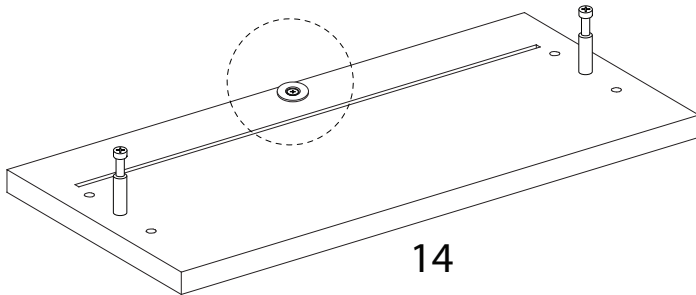
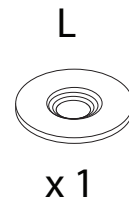
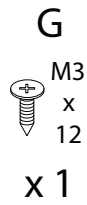
x 4



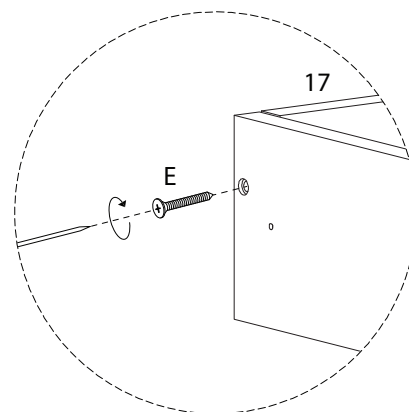
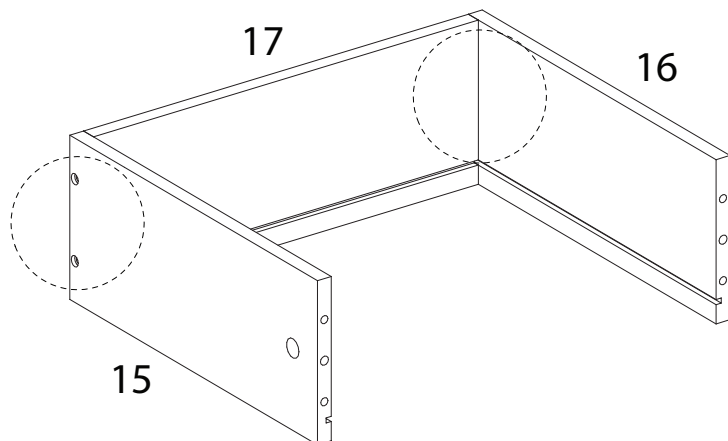
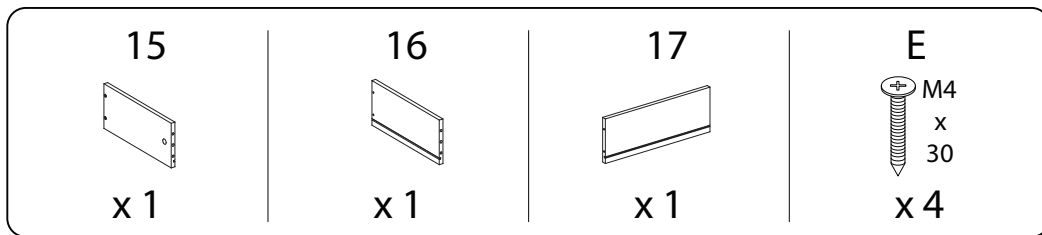
11 x 2



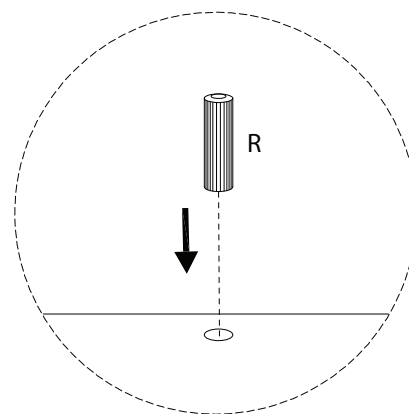
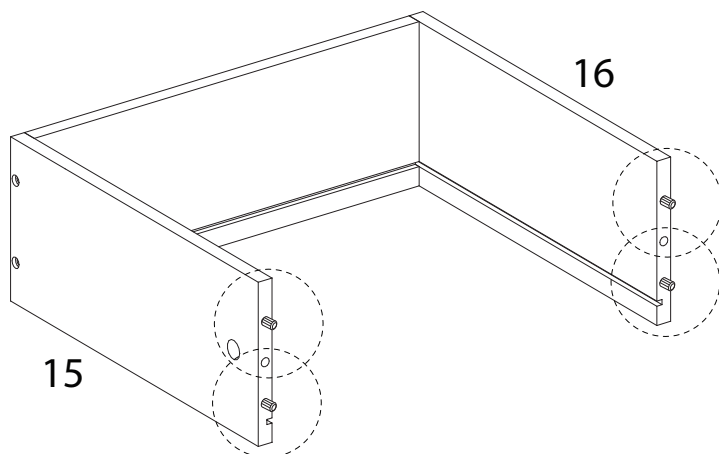
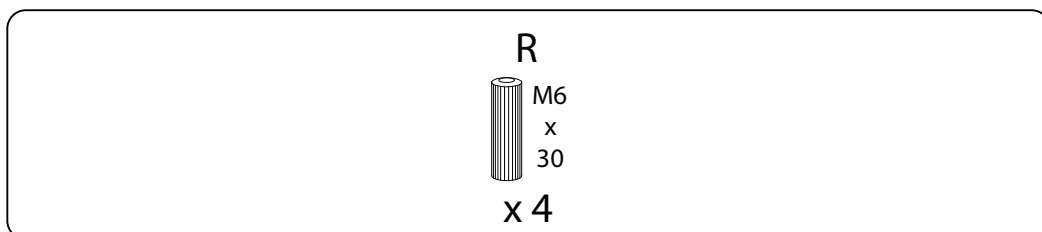
12 x 2



13 x 2

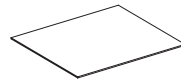


14 x 2

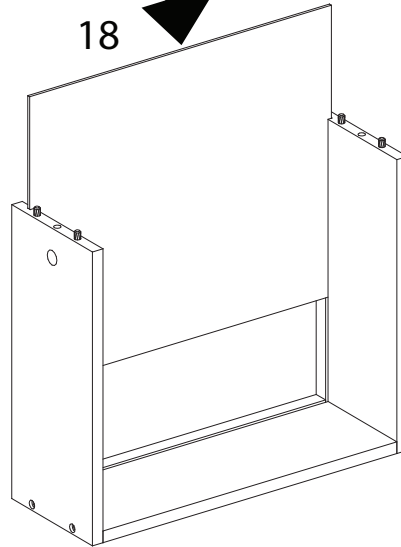


15 x 2

18



x 1

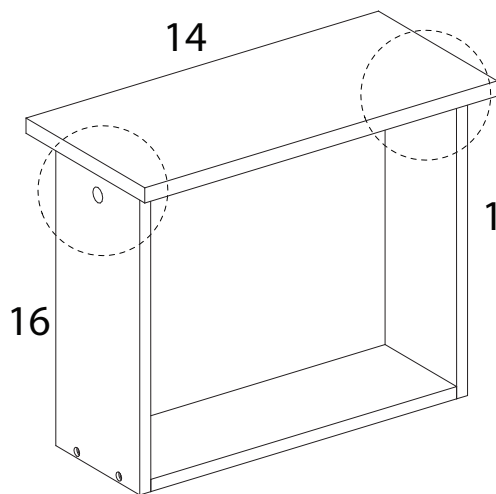


16 x 2

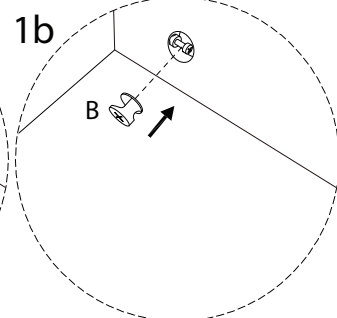
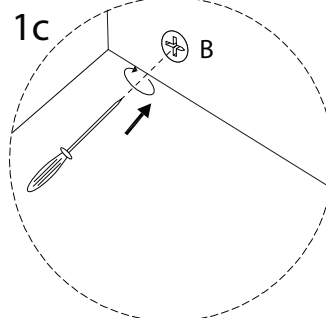
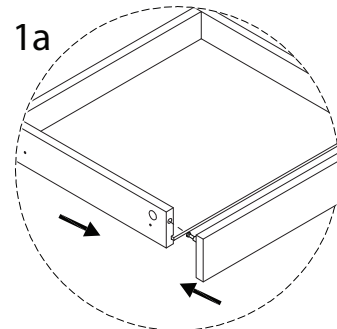
B



x 2



15

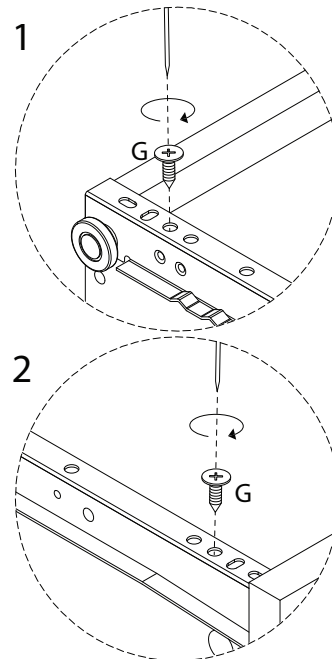
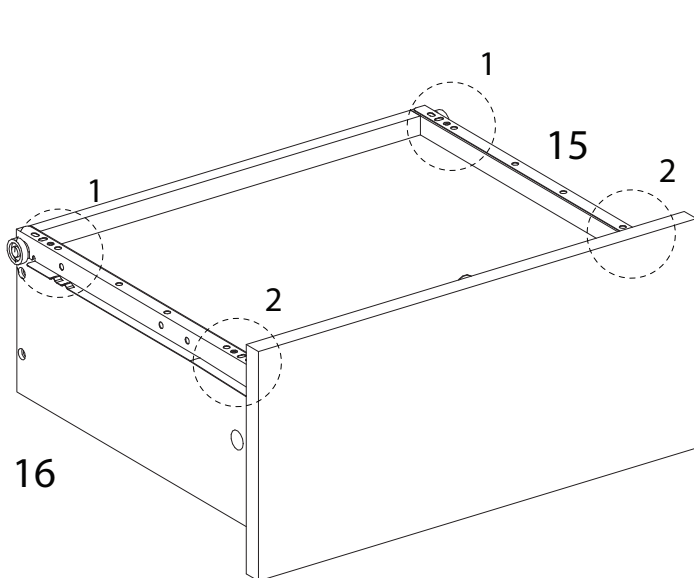


17 x 2

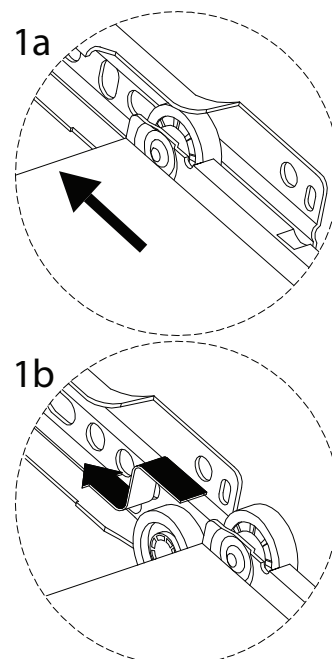
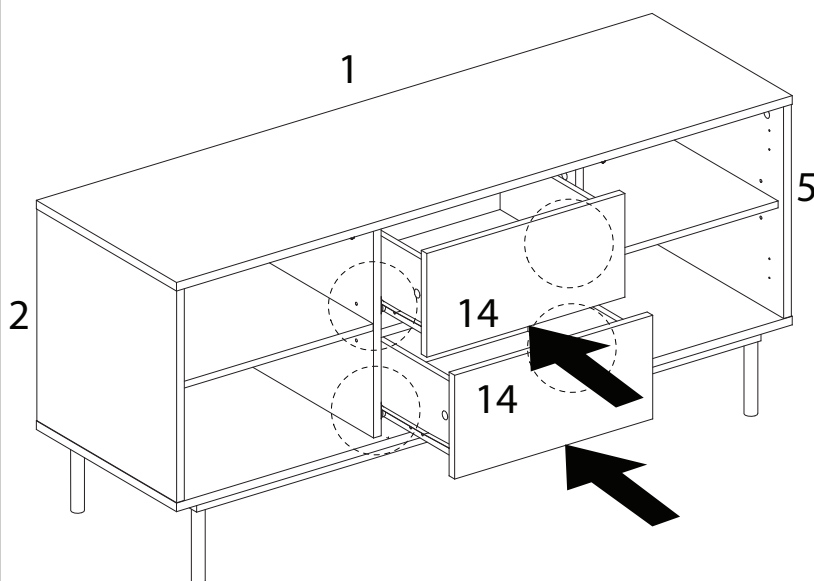
G
M3
x 12
x 4

O
x 1

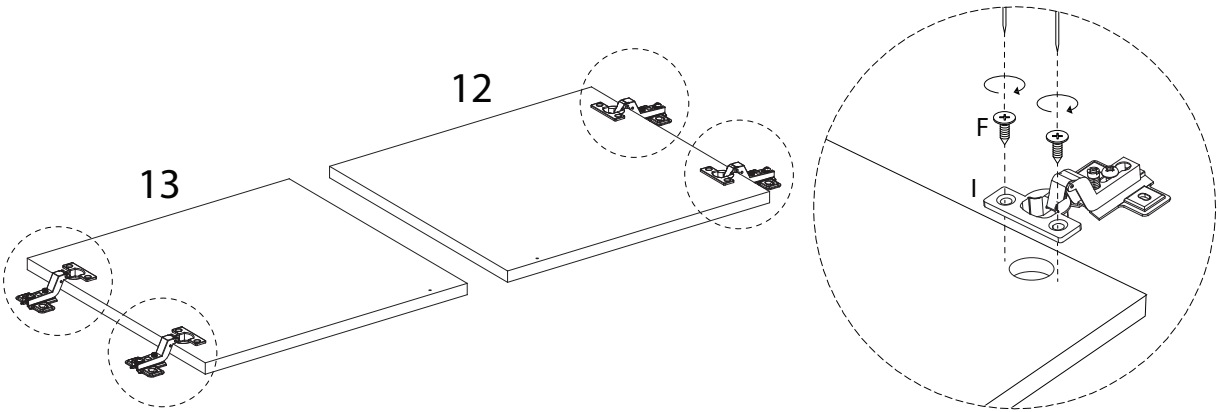
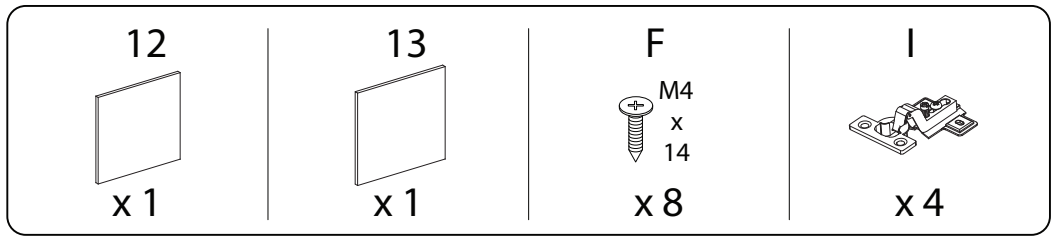
P
x 1



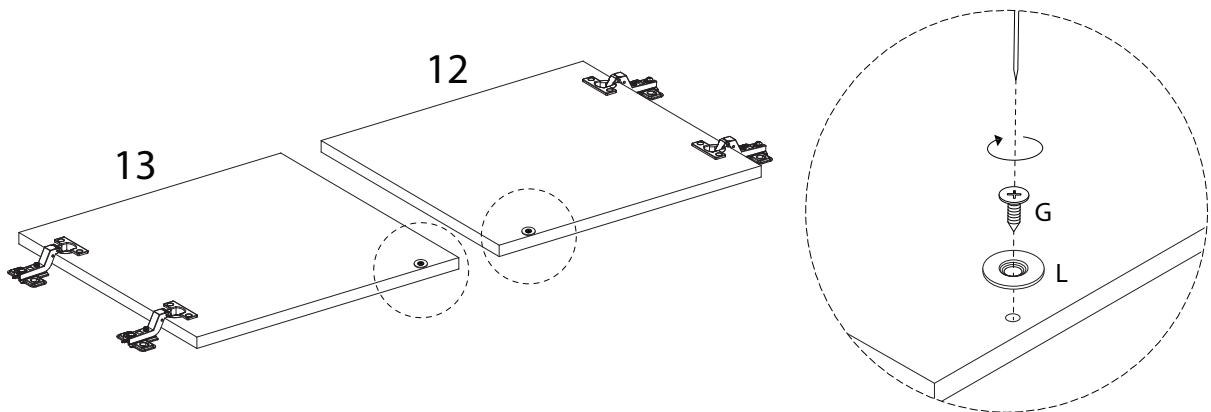
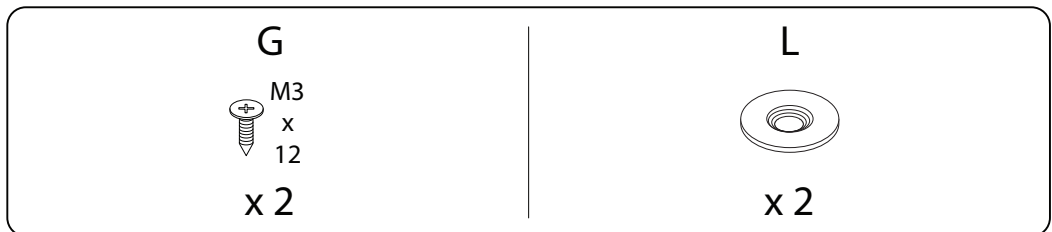
18



19

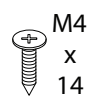


20

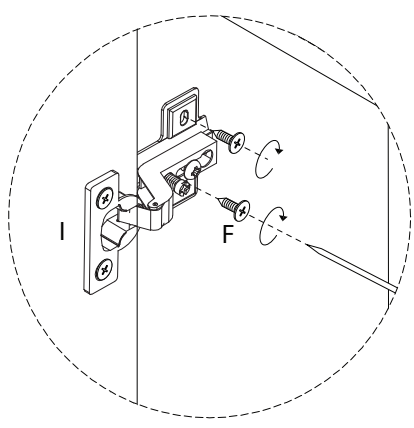
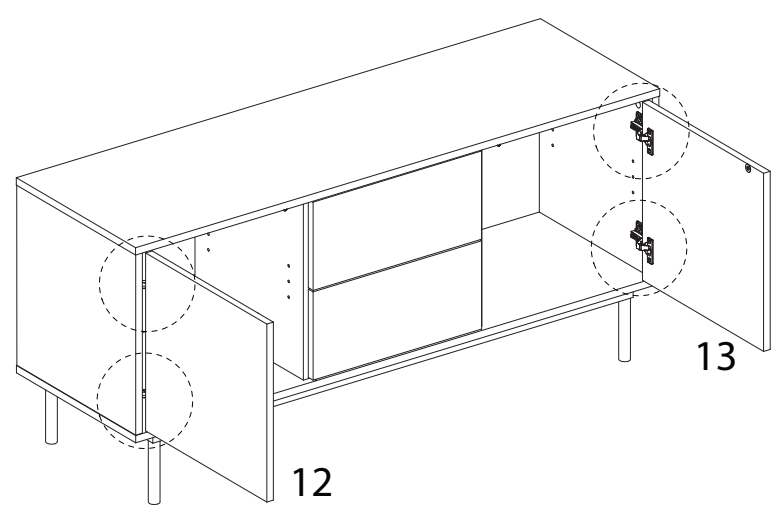


21

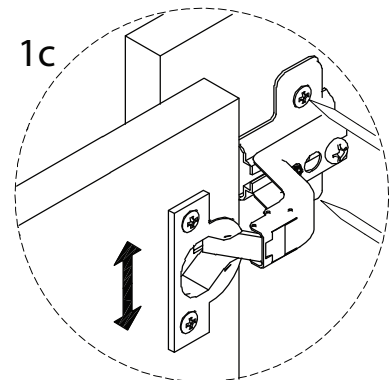
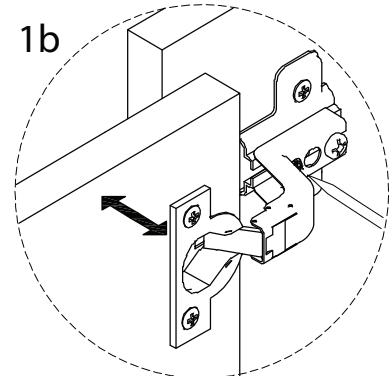
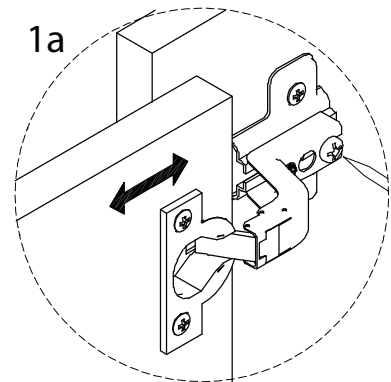
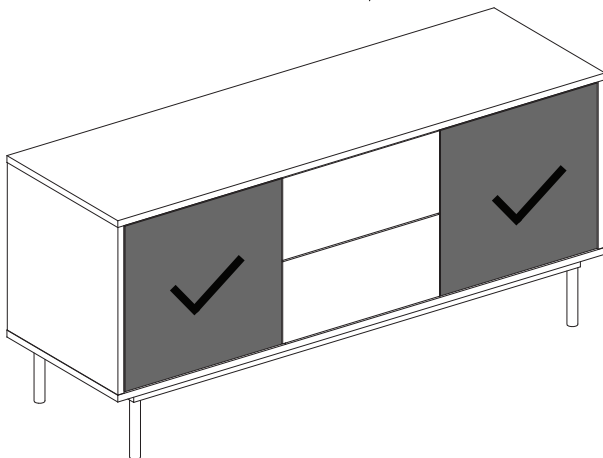
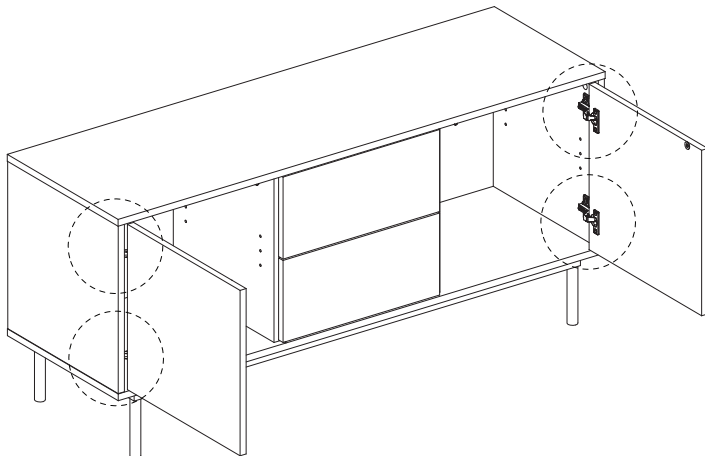
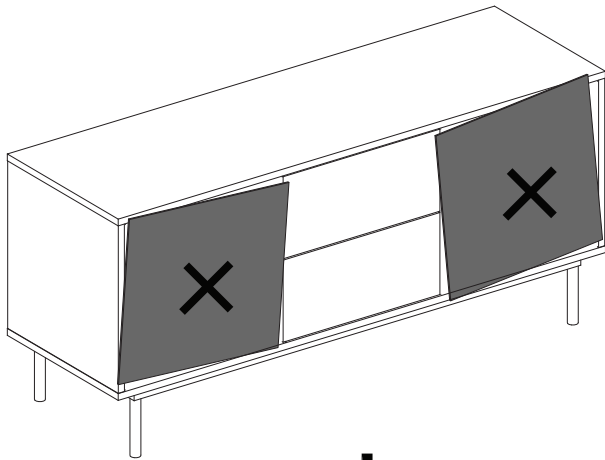
F



x 8



22

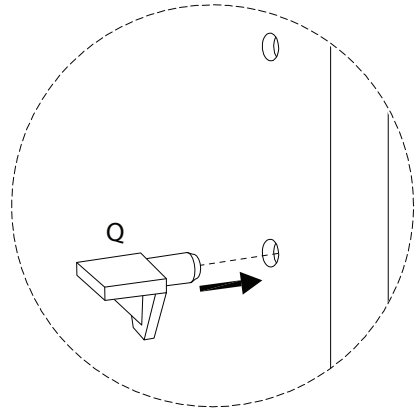
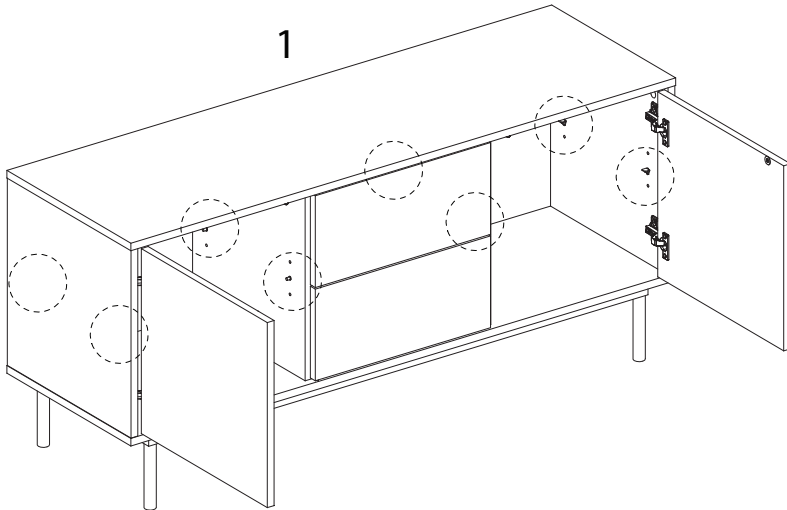


23

Q

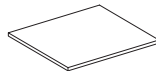


x 8



24

6



x 2

