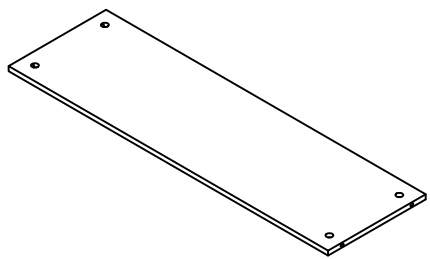
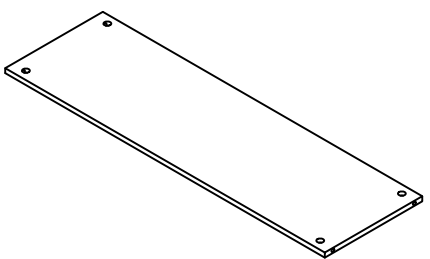
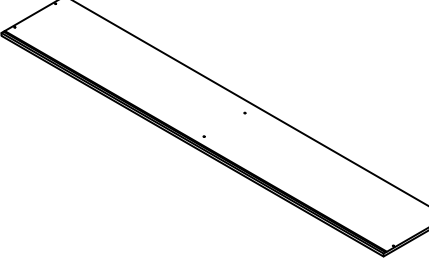
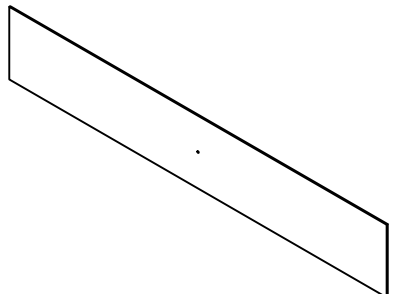
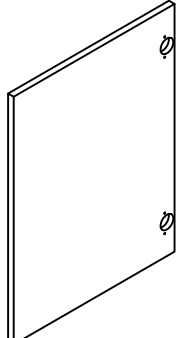
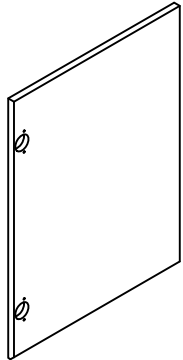
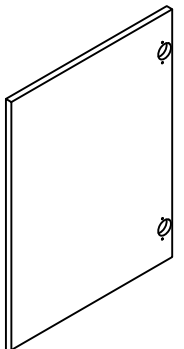
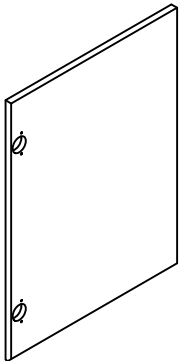
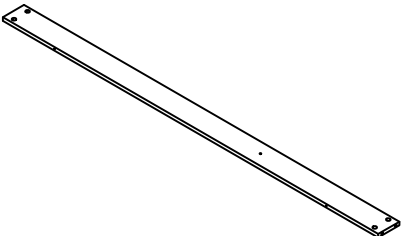
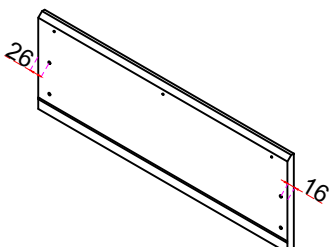
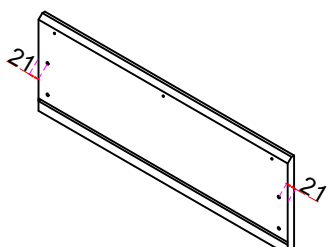
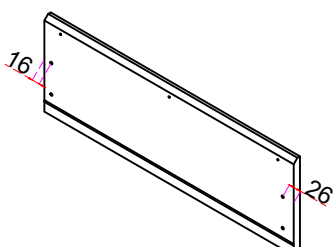
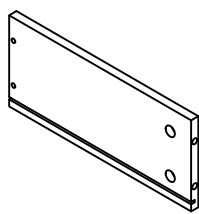
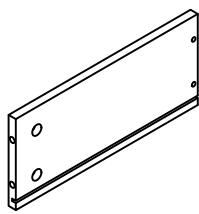
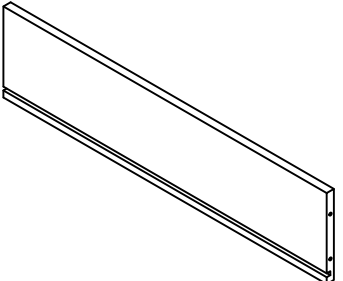
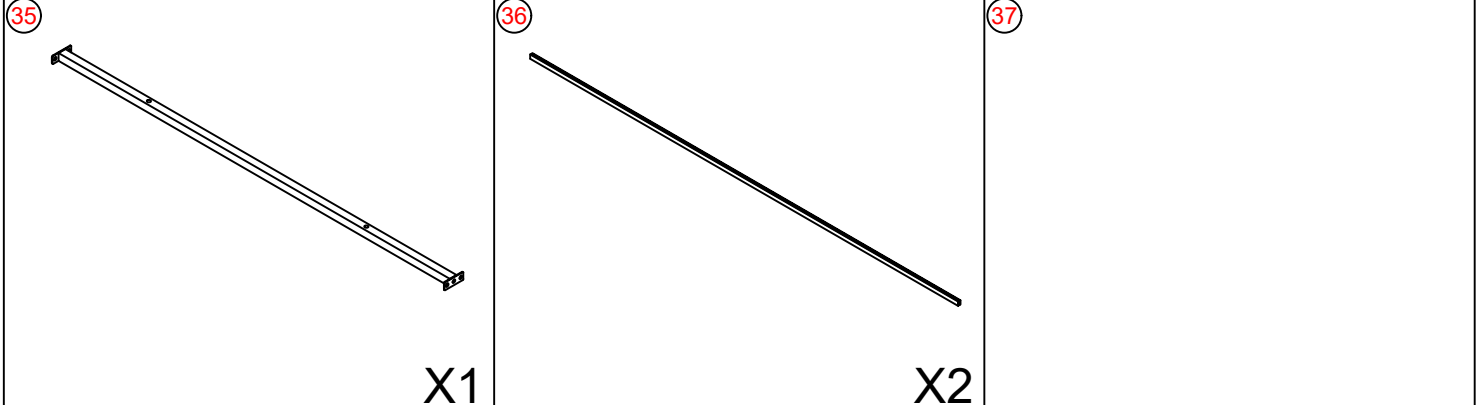
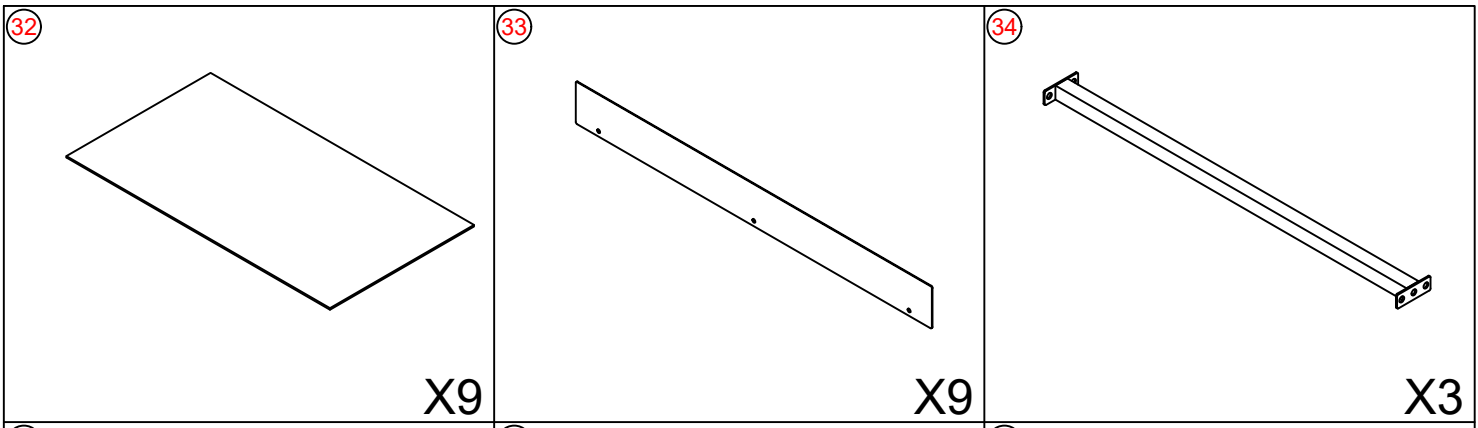









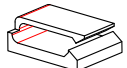

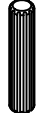
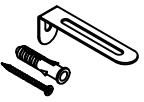
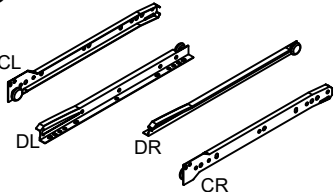
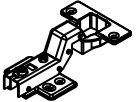
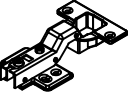

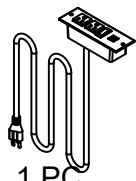

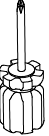
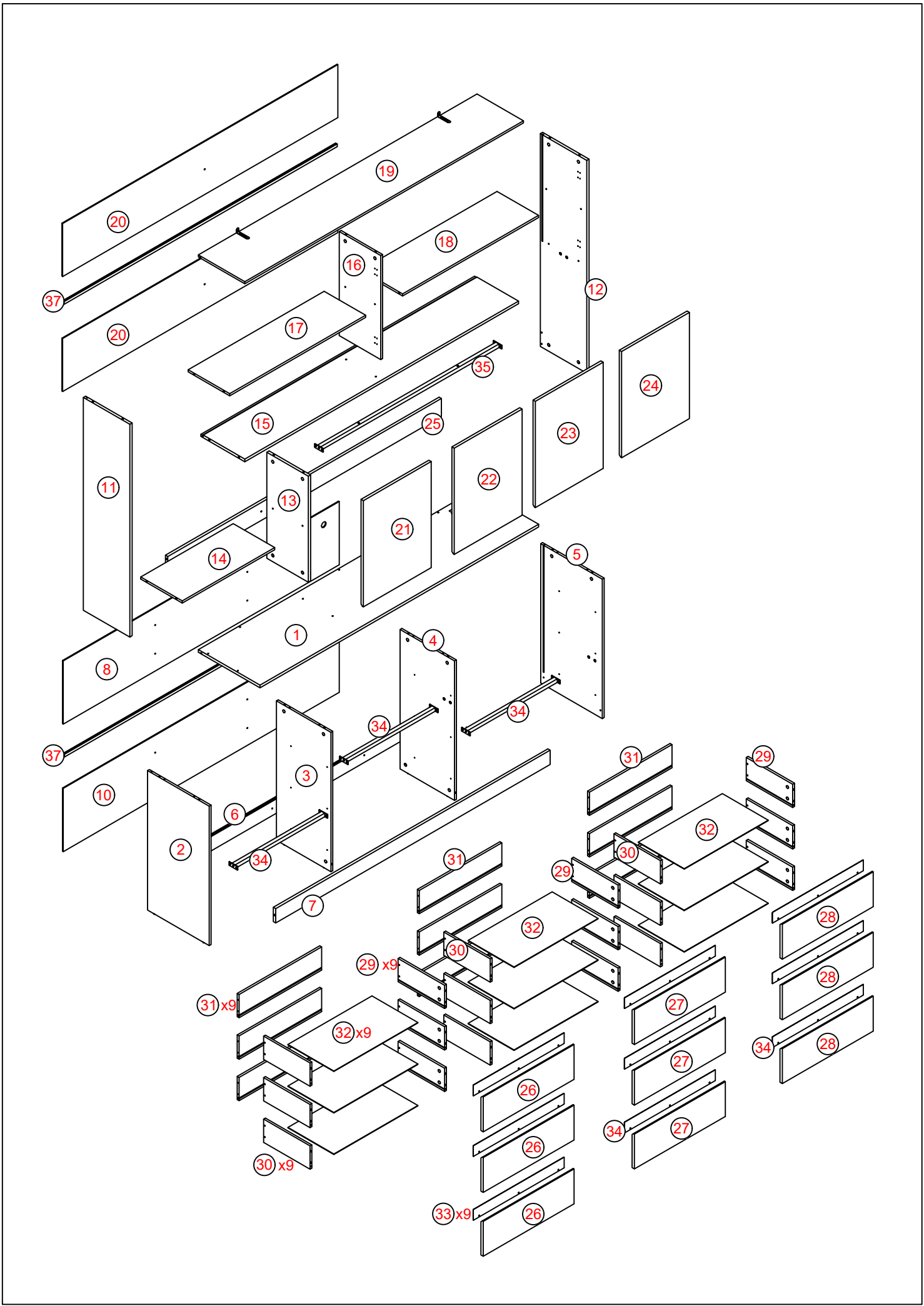


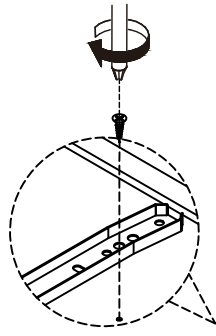
<p>17</p>  <p>X1</p>	<p>18</p>  <p>X1</p>	<p>19</p>  <p>X1</p>
<p>20</p>  <p>X2</p>	<p>21</p>  <p>X1</p>	<p>22</p>  <p>X1</p>
<p>23</p>  <p>X1</p>	<p>24</p>  <p>X1</p>	<p>25</p>  <p>X1</p>
<p>26</p>  <p>X3</p>	<p>27</p>  <p>X3</p>	<p>28</p>  <p>X3</p>
<p>29</p>  <p>X9</p>	<p>30</p>  <p>X9</p>	<p>31</p>  <p>X9</p>



<p>A M5X42</p>  <p>86 PCS</p>	<p>B Ø15X10</p>  <p>86 PCS</p>	<p>C M5X40</p>  <p>42 PCS</p>	<p>D M6X30</p>  <p>2 PCS</p>	<p>E M6X10</p>  <p>16 PCS</p>	<p>F M3.5X14</p>  <p>40 PCS</p>	<p>G M3.5X12</p>  <p>106 PCS</p>	<p>H M3.5X18</p>  <p>10 PCS</p>
<p>J M3.5X14</p>  <p>27 PCS</p>	<p>K</p>  <p>4 PCS</p>	<p>L</p>  <p>22 PCS</p>	<p>M Ø6X40</p>  <p>8 PCS</p>	<p>N M5X55</p>  <p>2 PCS</p>	<p>O</p>  <p>9 Sets 12"-08</p>		<p>P DW</p>  <p>4 PCS</p>
<p>R ZW</p>  <p>4 PCS</p>	<p>S</p>  <p>1 PC</p>	<p>T</p>  <p>1 PC</p>	<p>U Ø21</p>  <p>10 PCS</p>	<p>4#</p> <p>1 PC</p>	 <p>1 PC</p>		

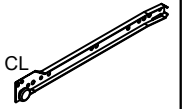


1



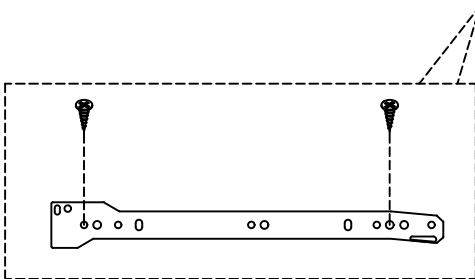
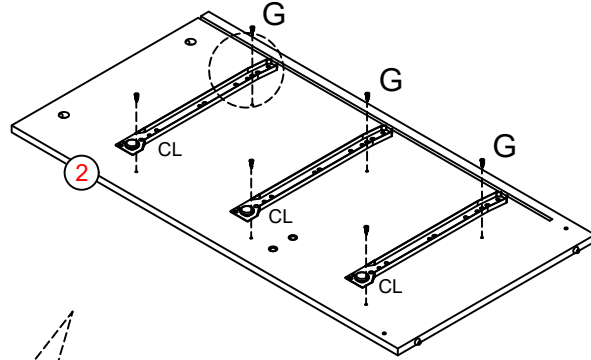
G M3.5X12

O

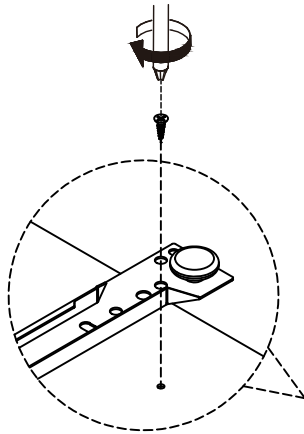


6 PCS

3 PCS

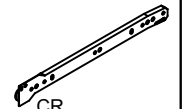


2



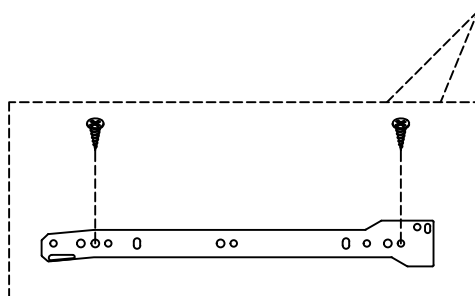
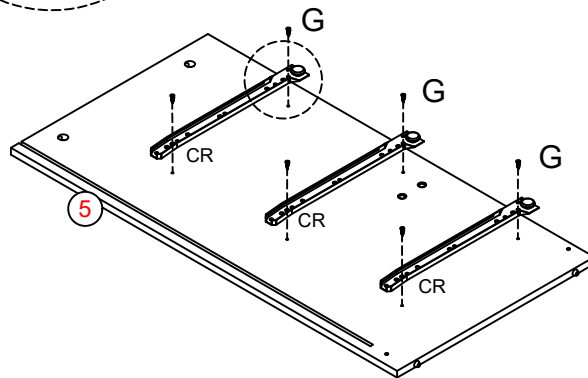
G M3.5X12

O



6 PCS

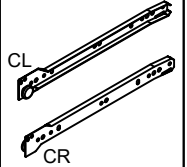
3 PCS



3

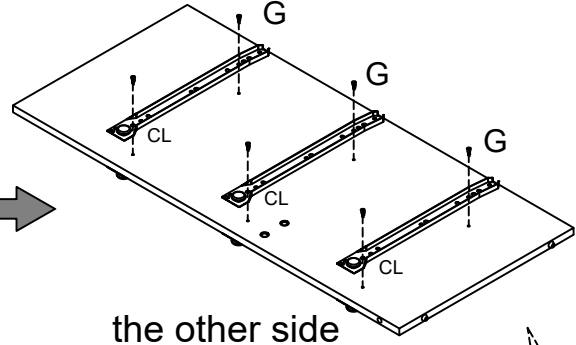
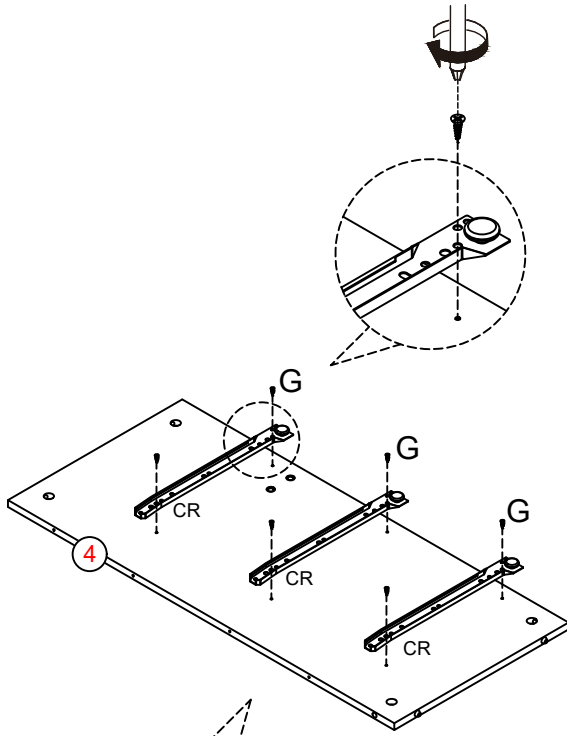
G M3.5X12

O

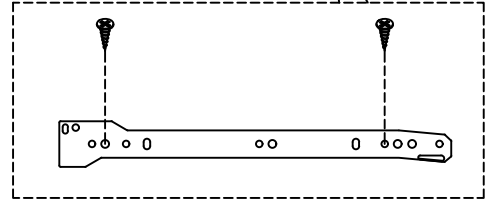
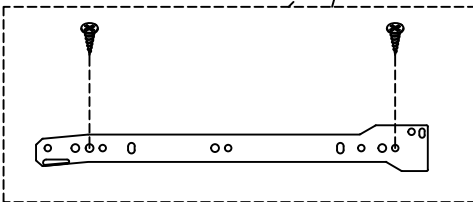


12 PCS

3 PCS



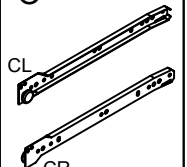
the other side



4

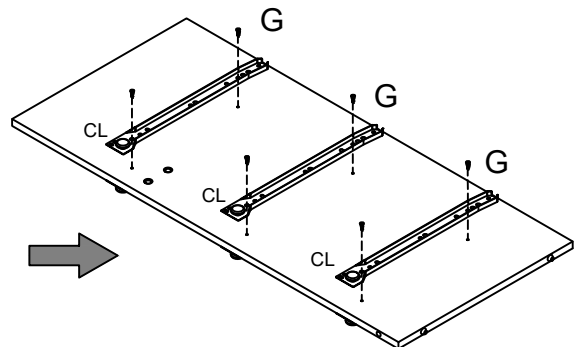
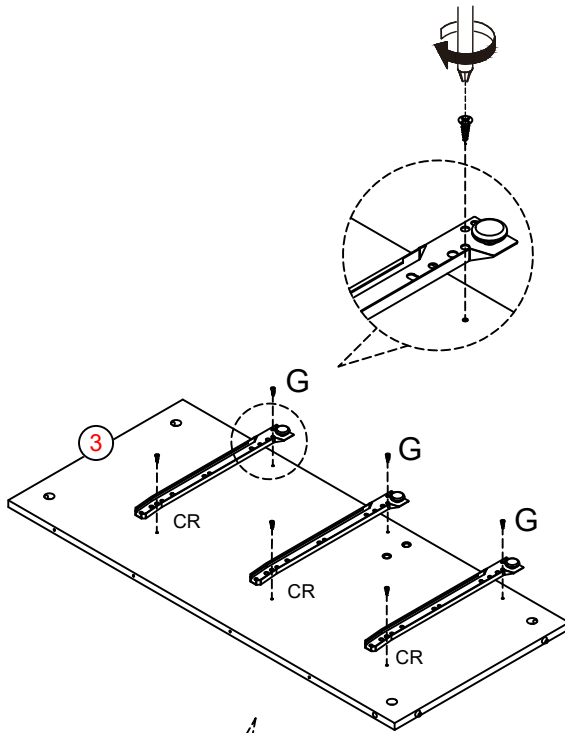
G M3.5X12

O

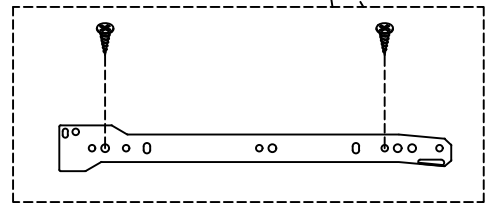
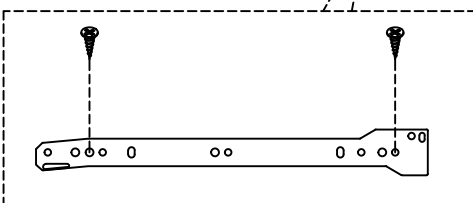


12 PCS

3 PCS



the other side

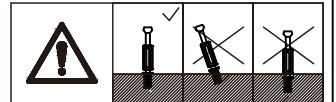
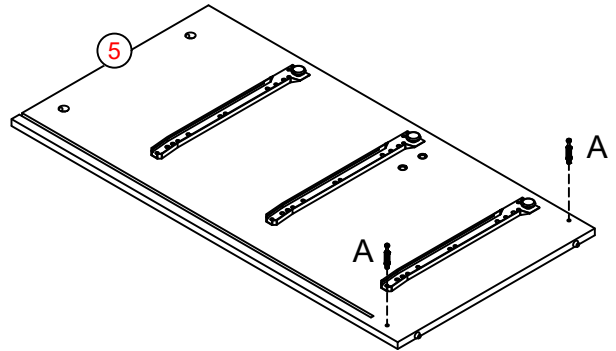
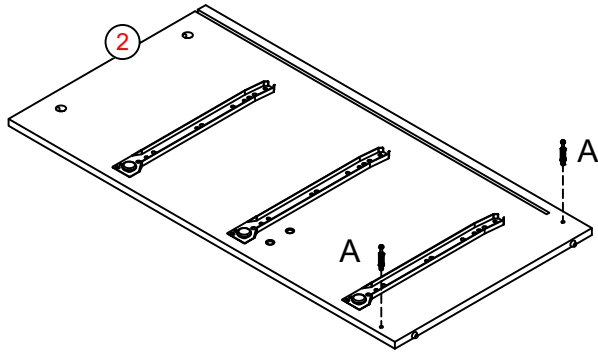


5

A M5X42



4 PCS

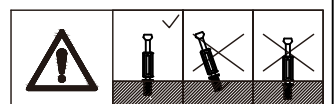
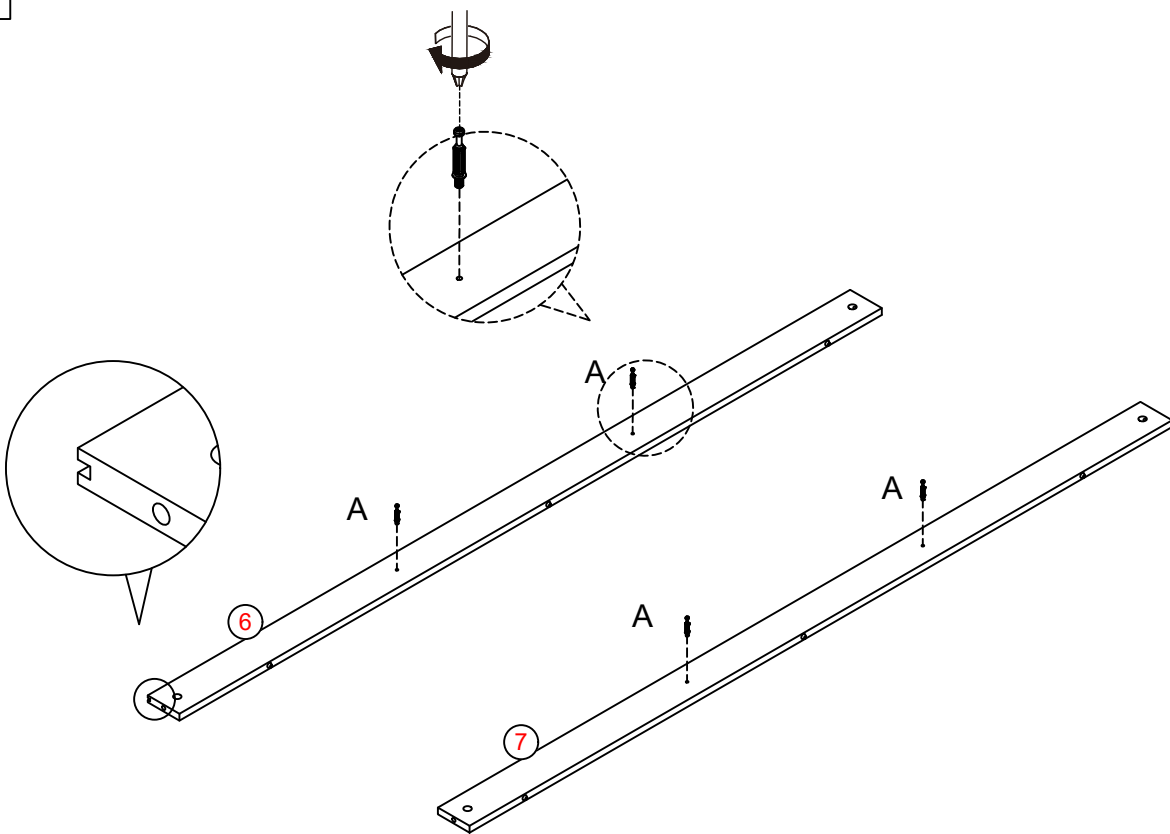


6

A M5X42



4 PCS

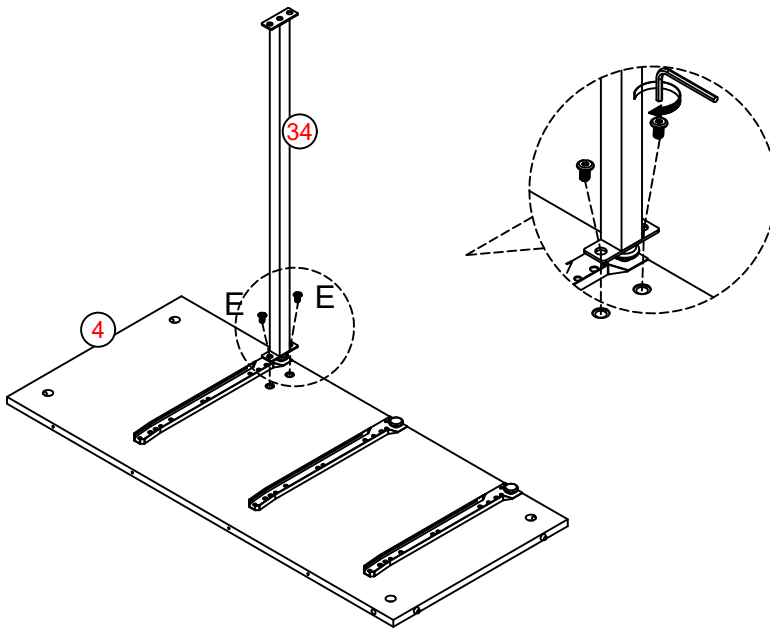


7

E M6X10



2 PCS

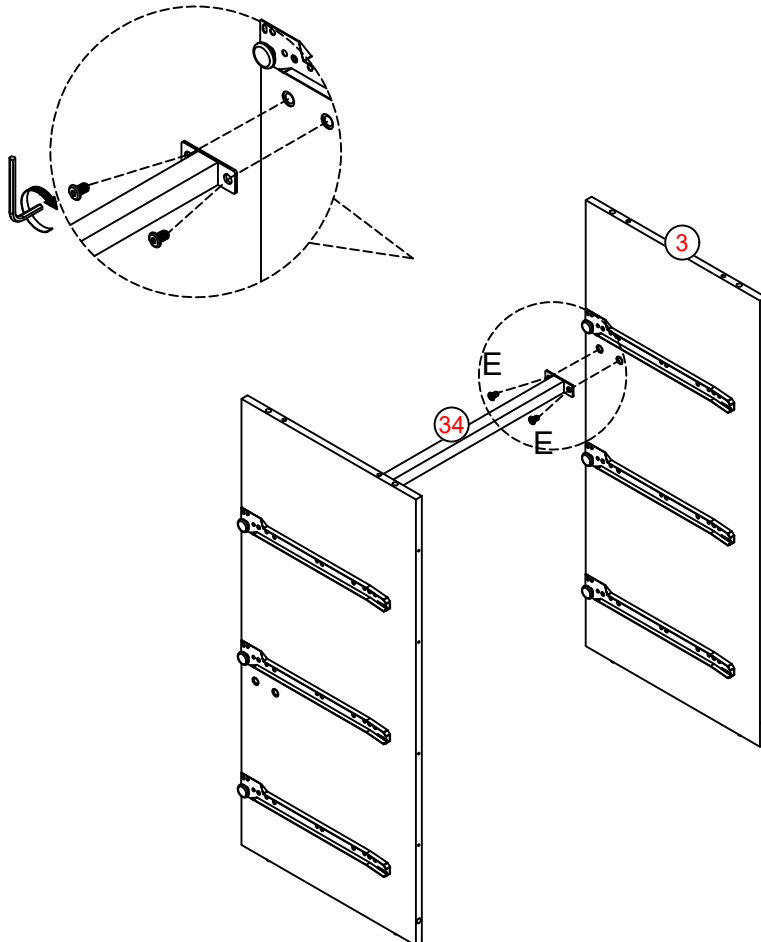


8

E M6X10



2 PCS

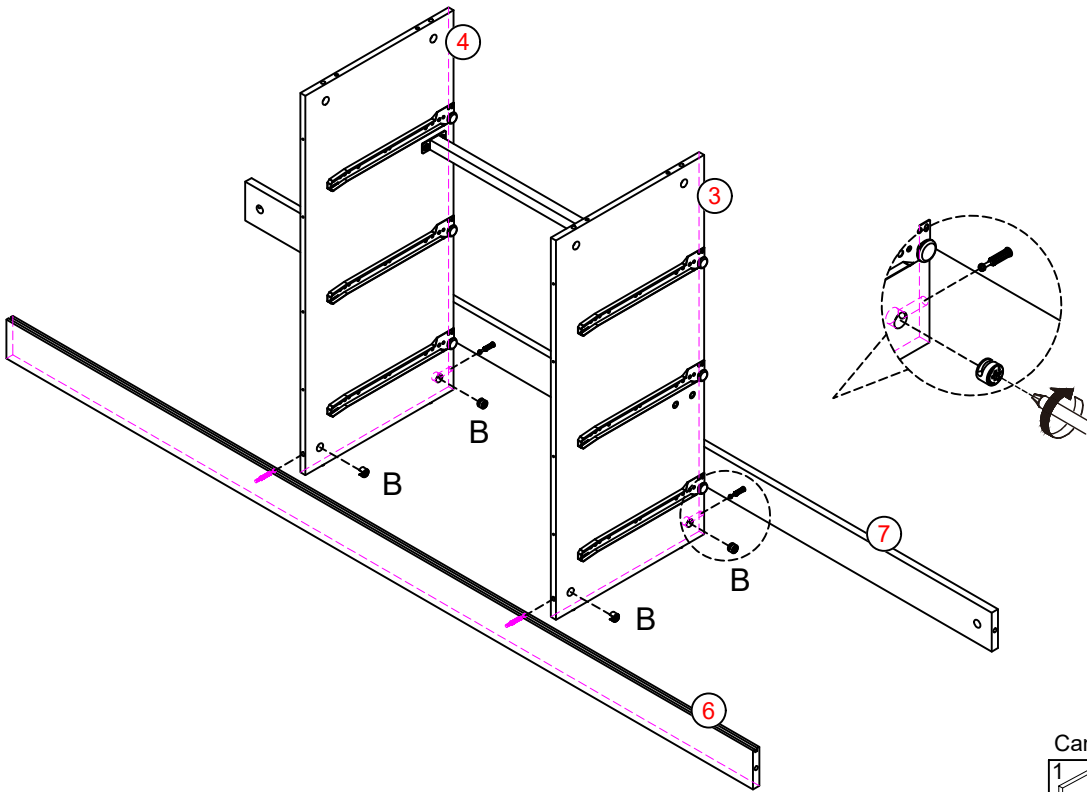


9

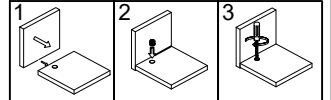
B Ø15X10



4 PCS



Cam Lock Fastening System

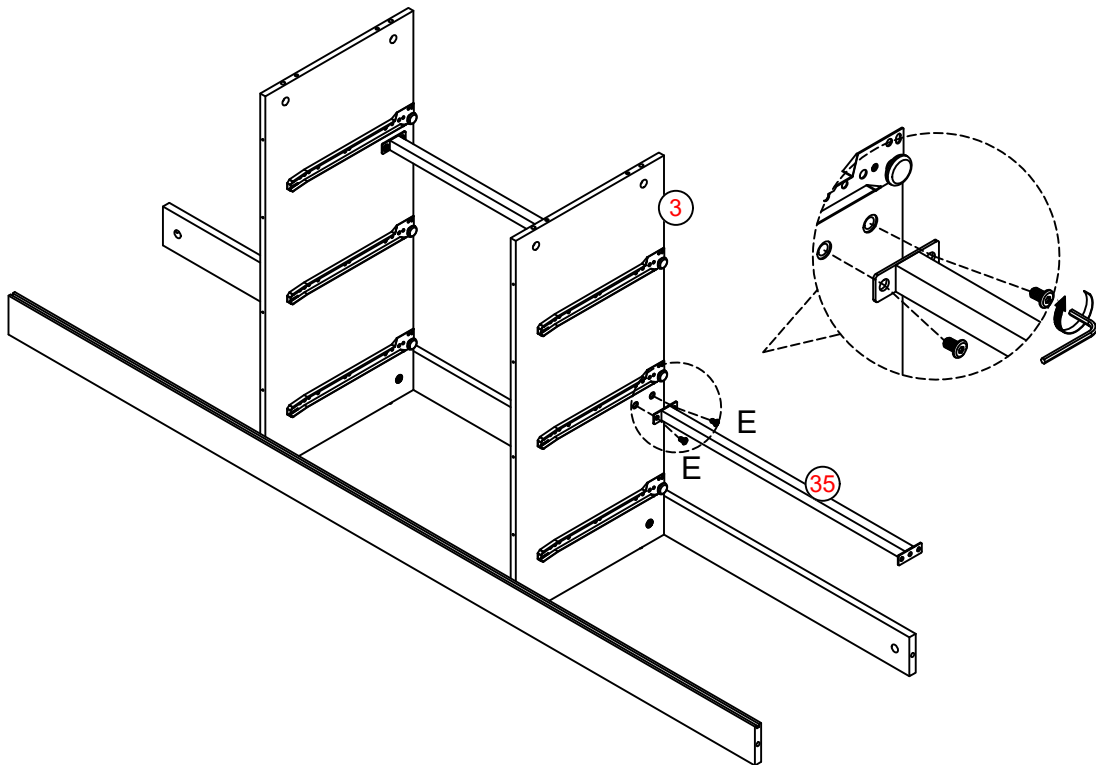


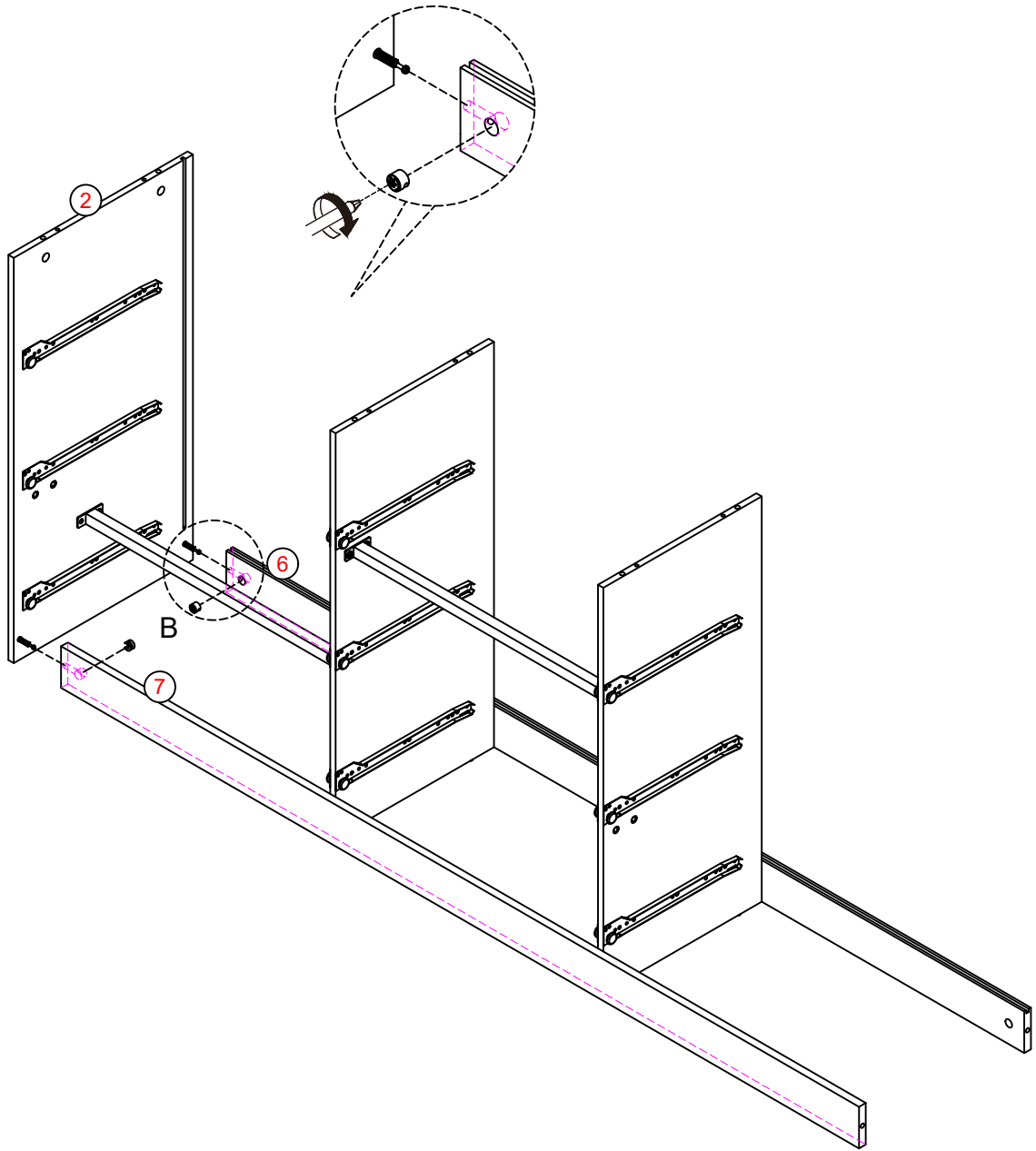
10

E M6X10

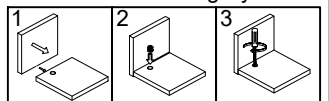


2 PCS





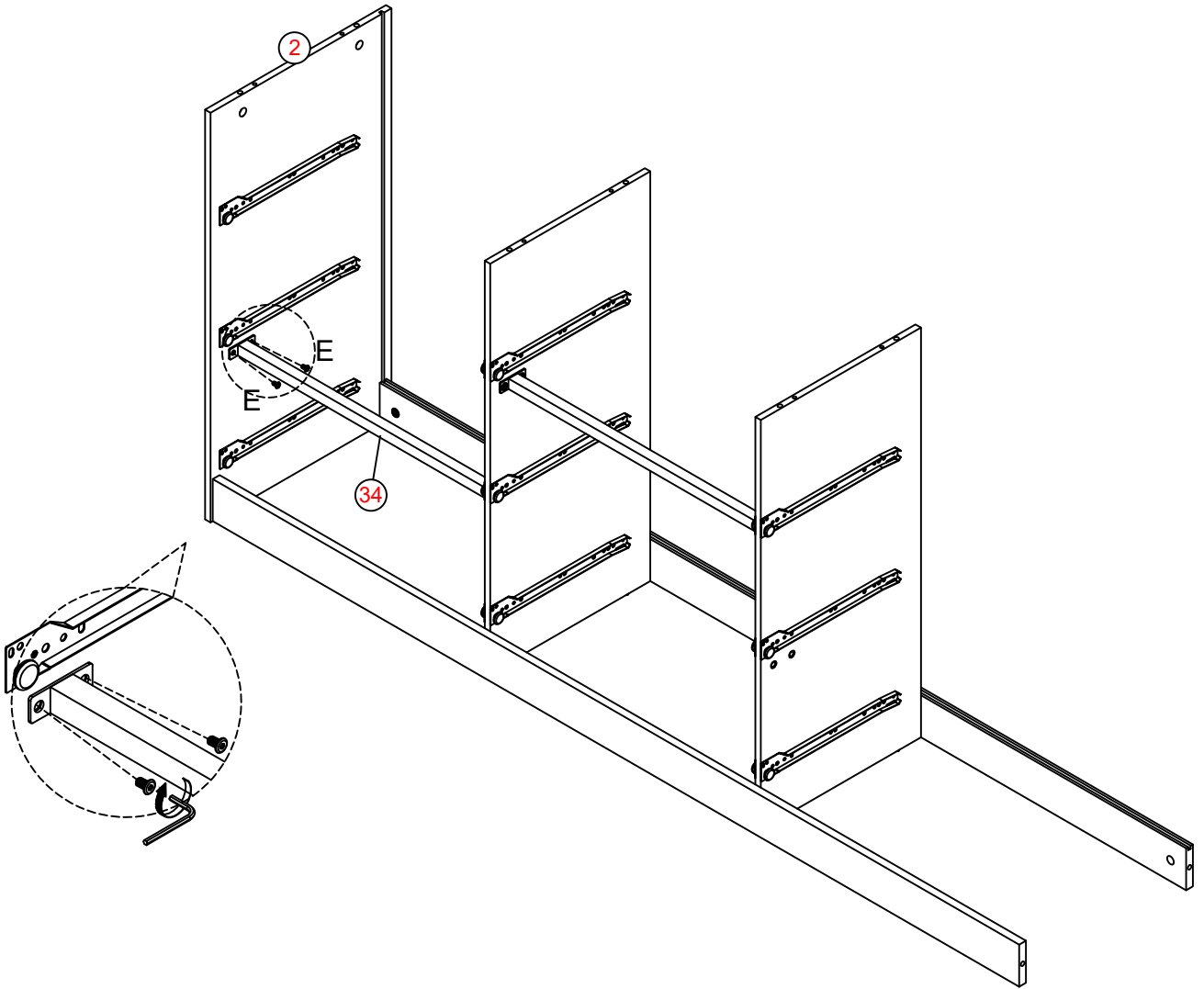
Cam Lock Fastening System

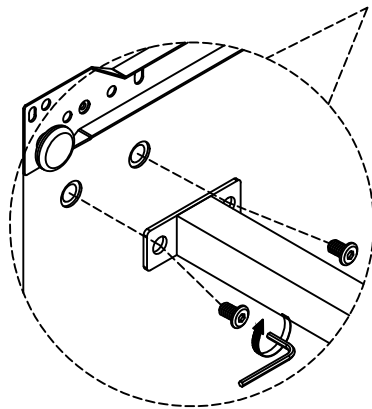
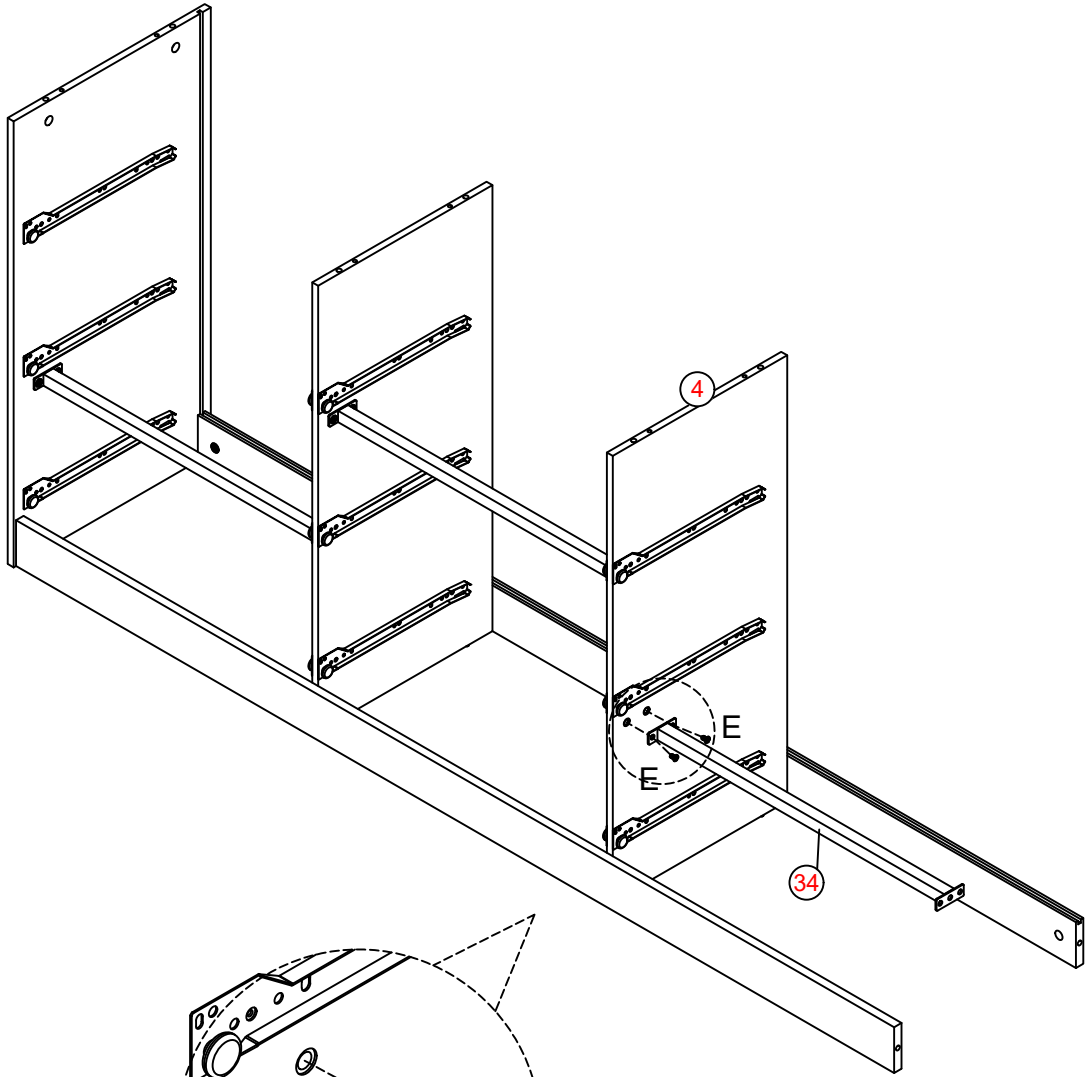


E M6X10

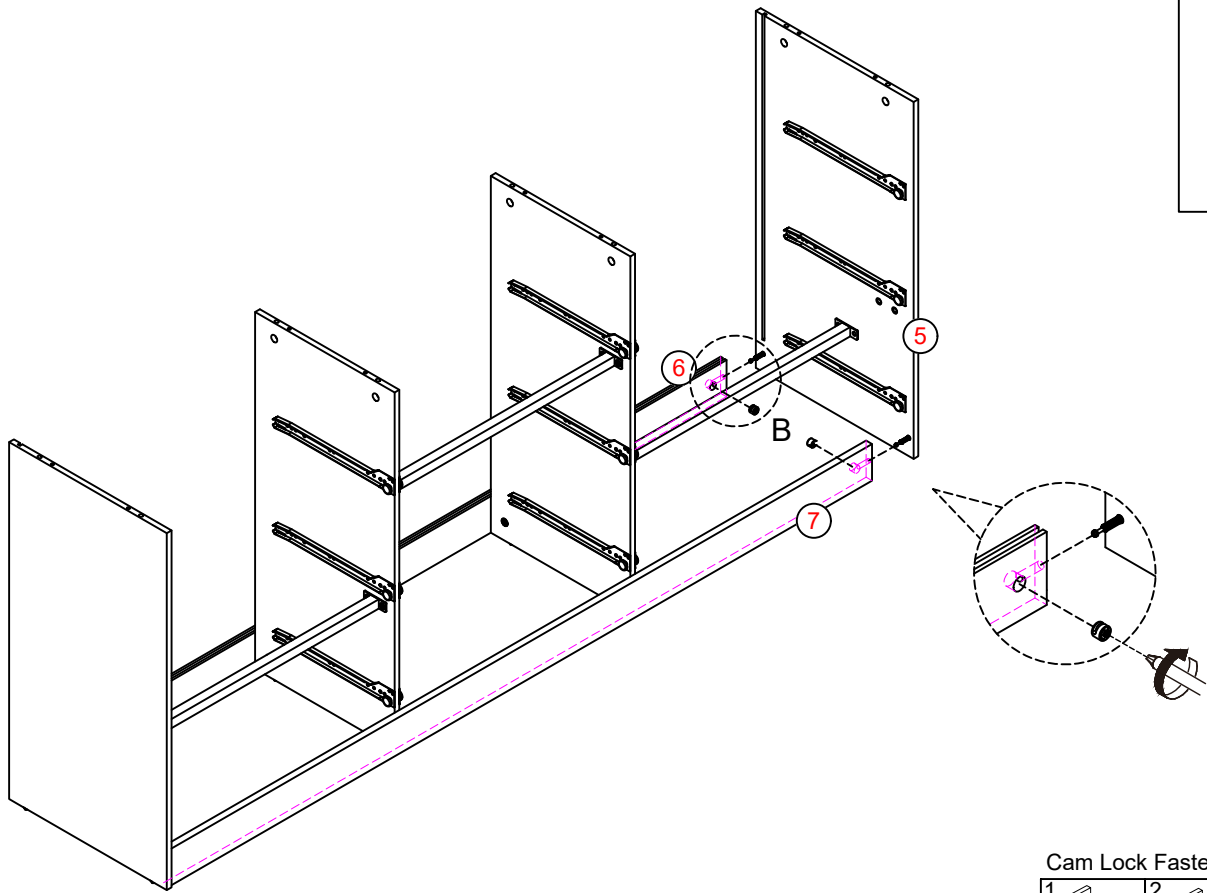


2 PCS





14

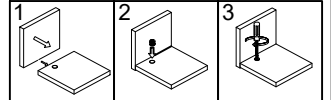


B Ø15X10

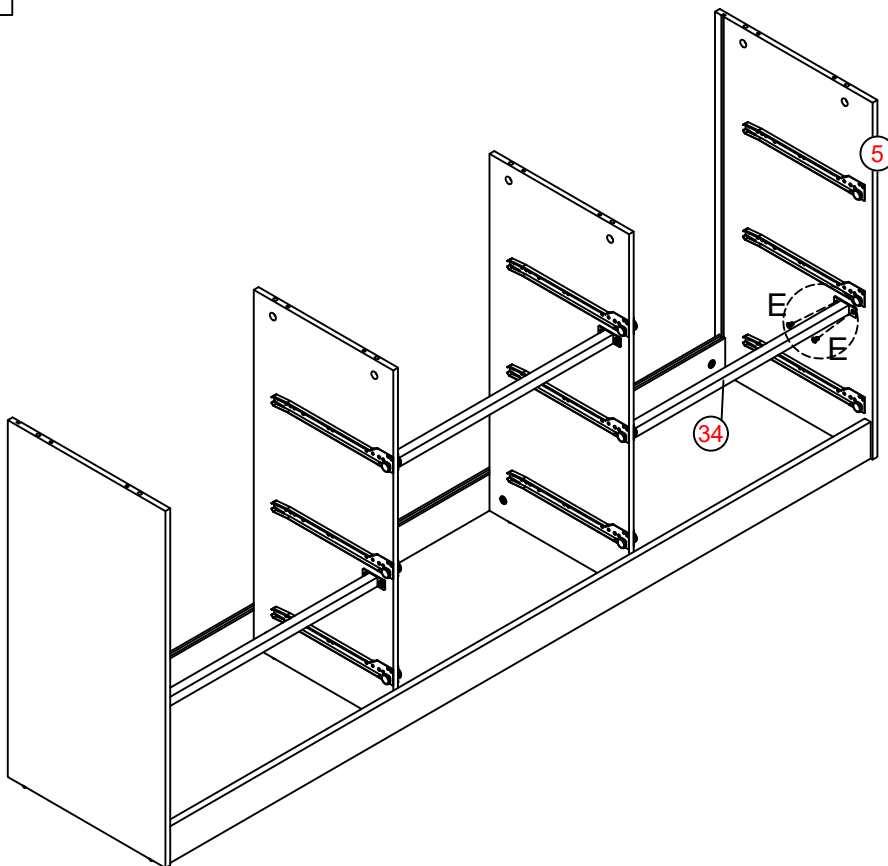


2 PCS

Cam Lock Fastening System



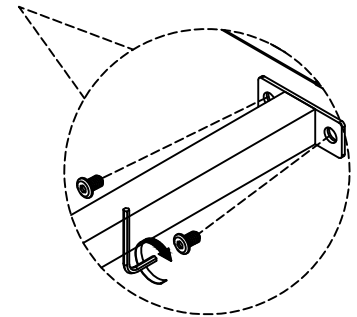
15

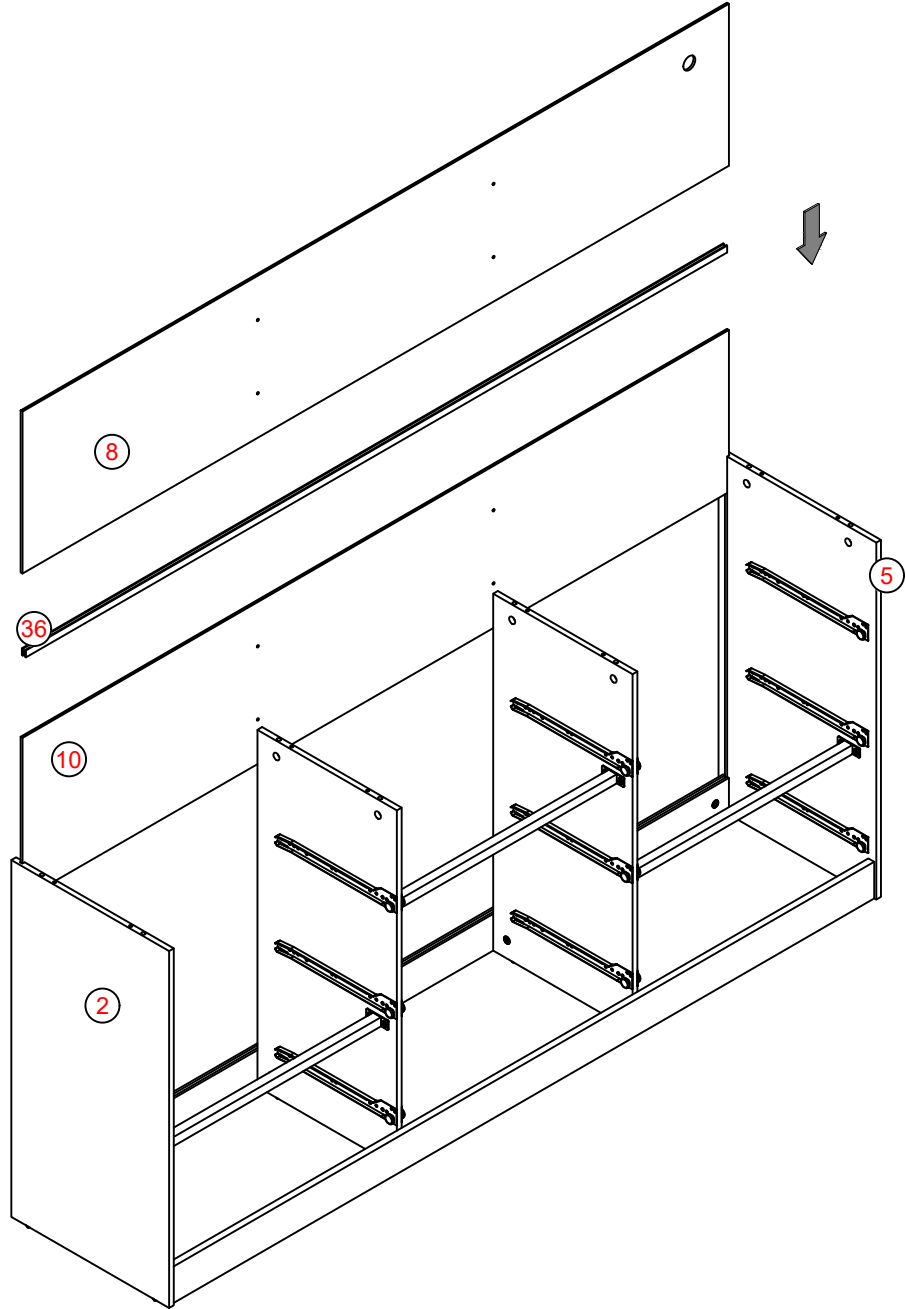


E M6X10

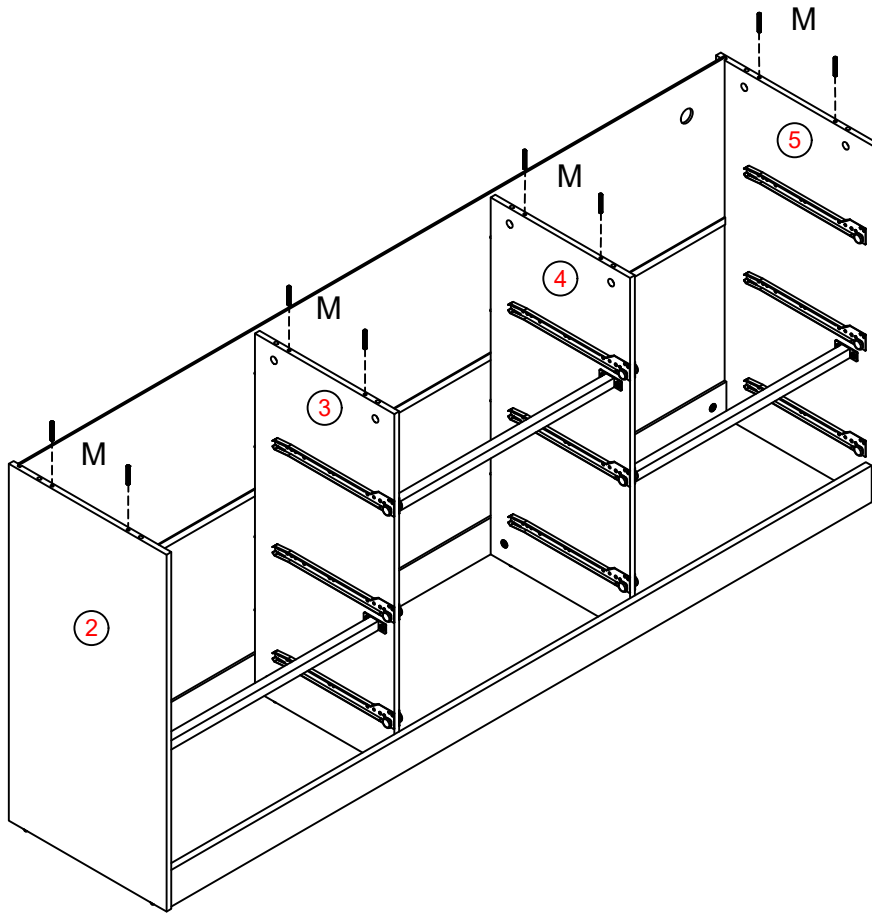


2 PCS





17

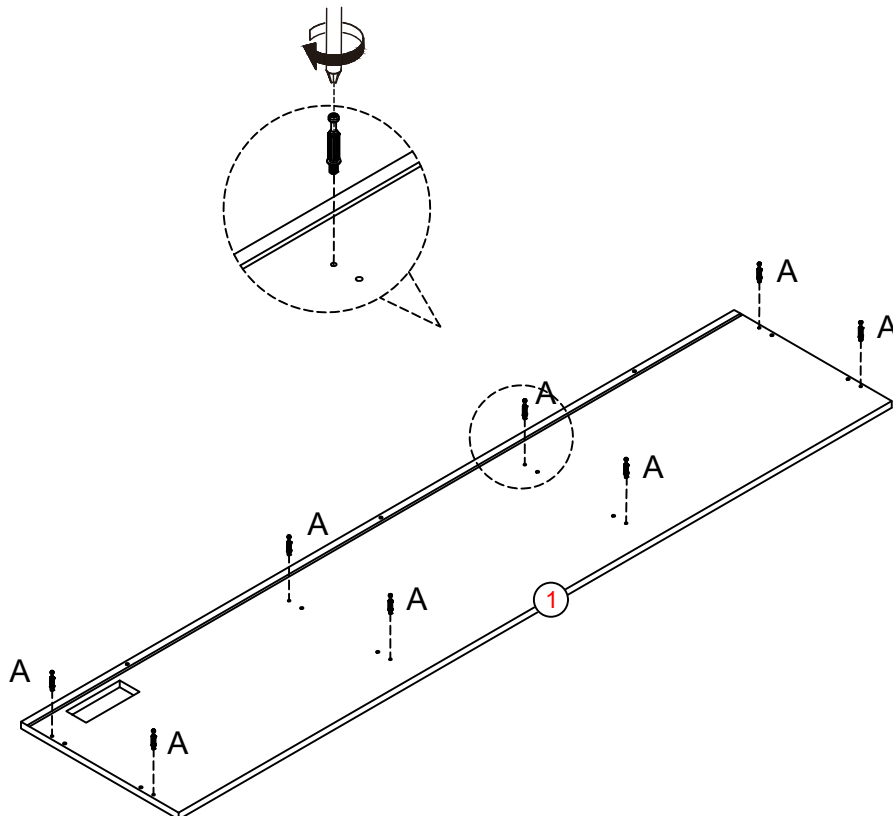


M Ø6X40



8 PCS

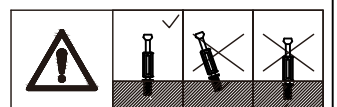
18



A M5X42



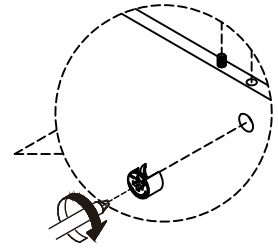
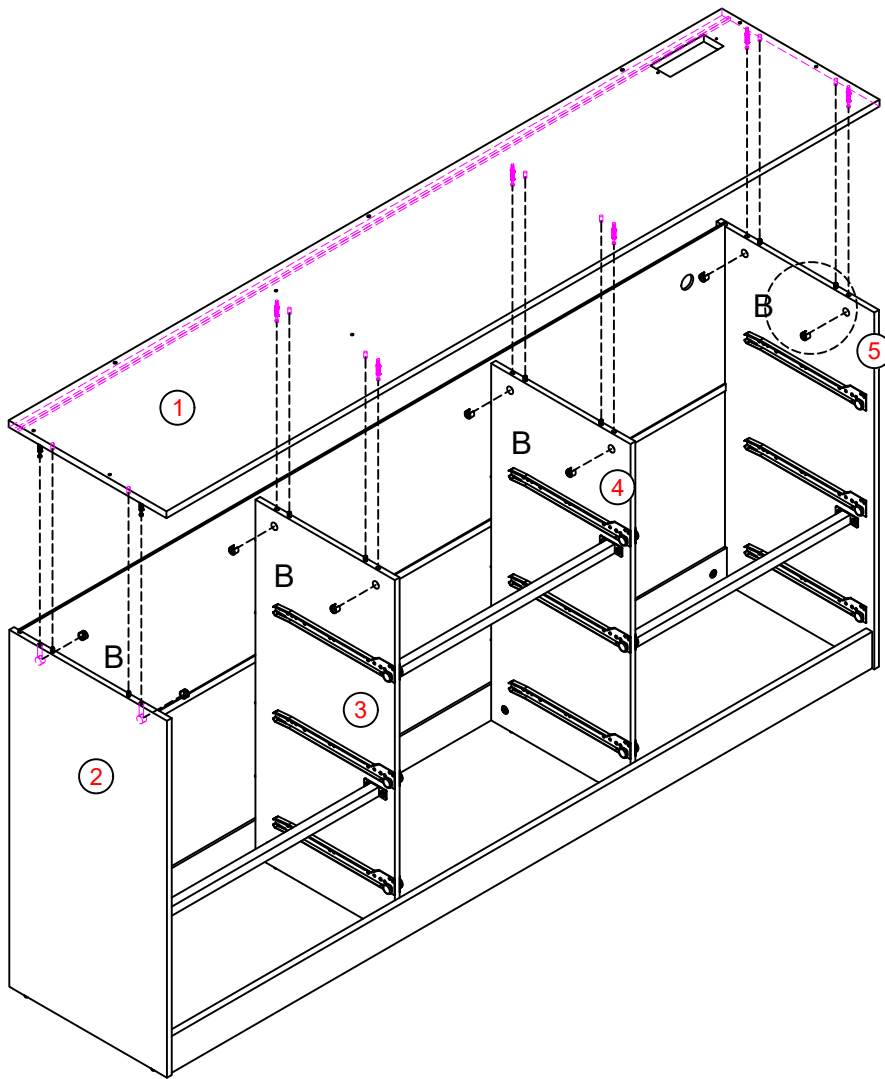
8 PCS



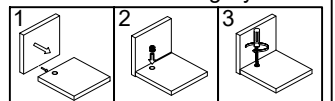
B Ø15X10



8 PCS



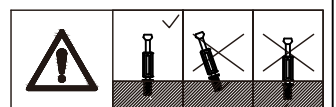
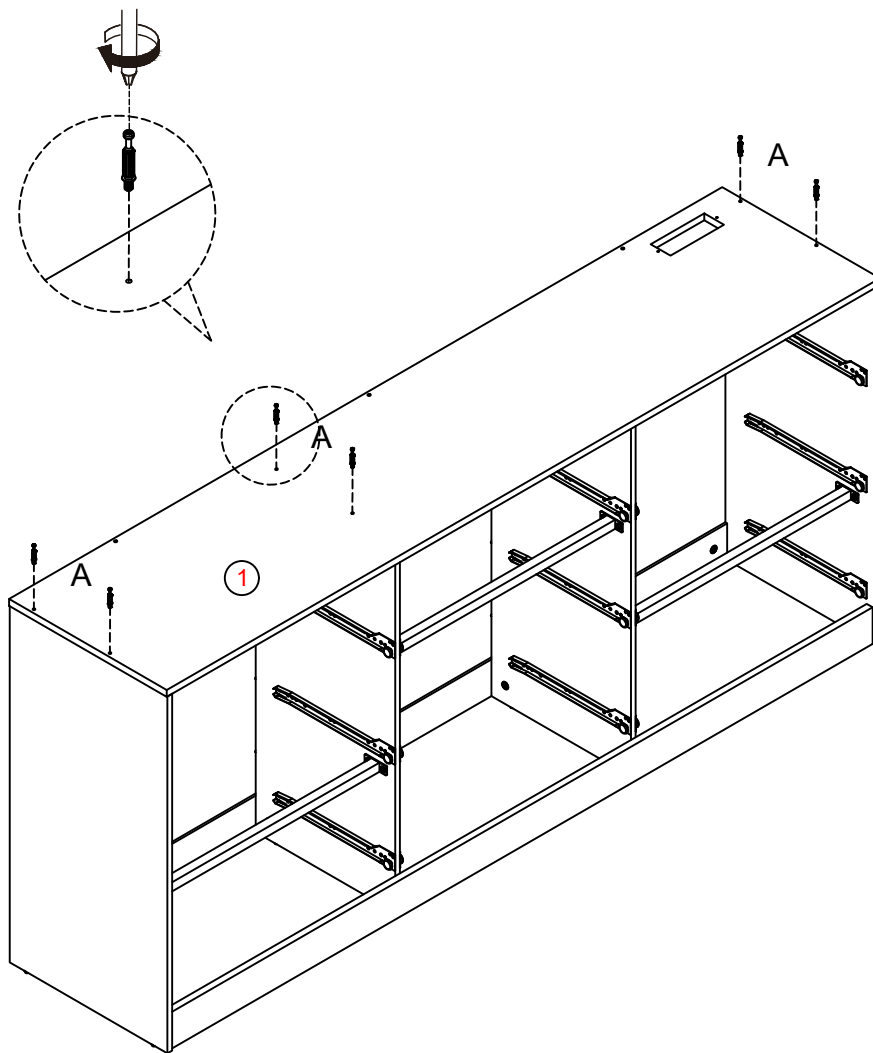
Cam Lock Fastening System



A M5X42



6 PCS



F M3.5X14

H M3.5X18

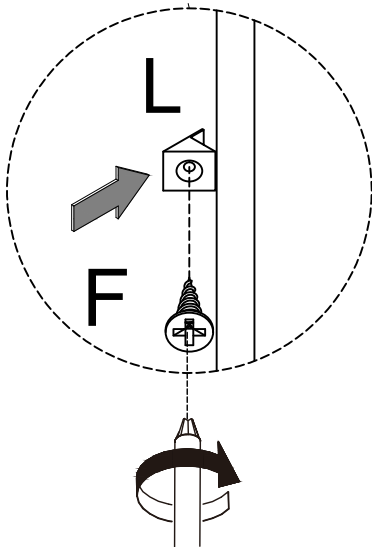
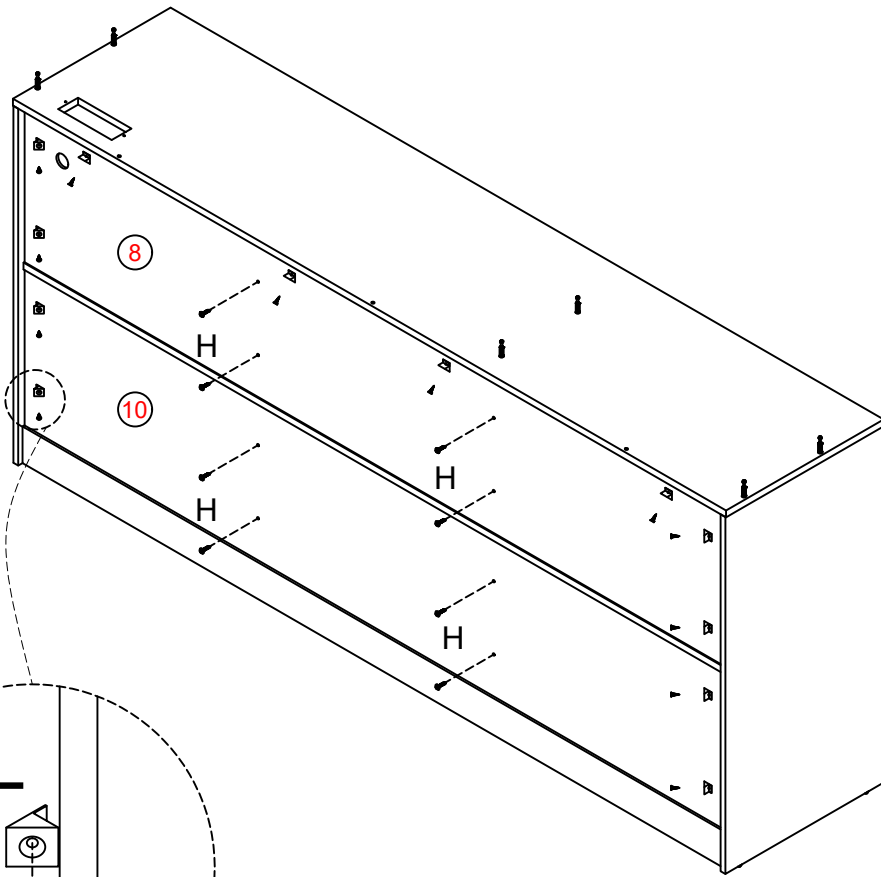
L



12 PCS

8 PCS

12 PCS

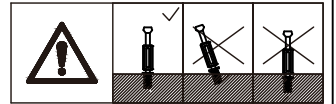
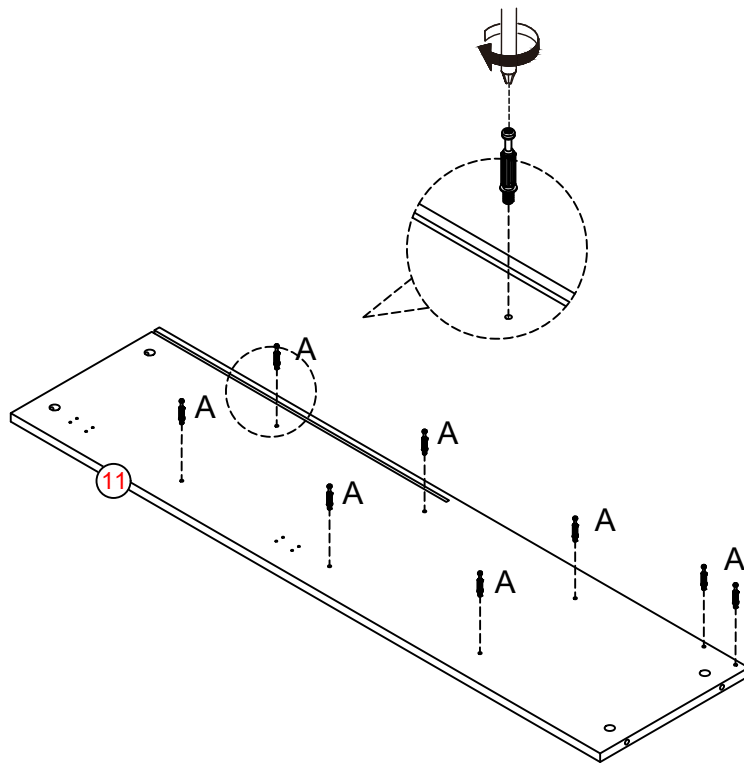


22

A M5X42



8 PCS

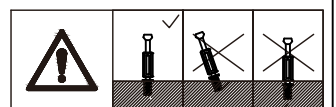
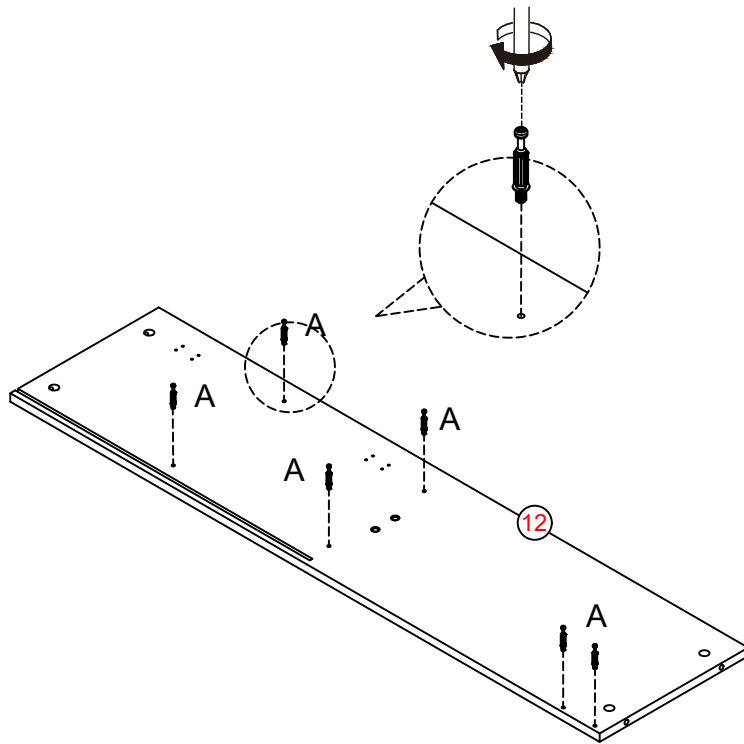


23

A M5X42



6 PCS

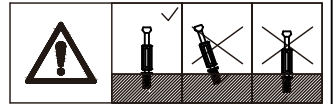
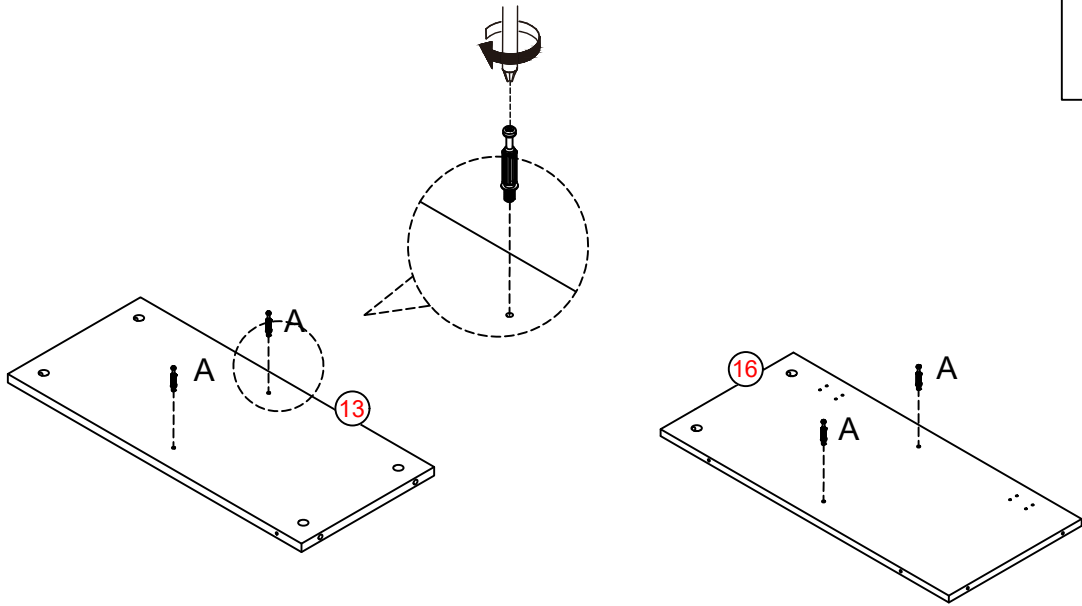


24

A M5X42



4 PCS

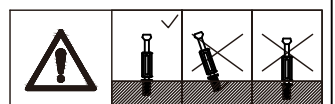
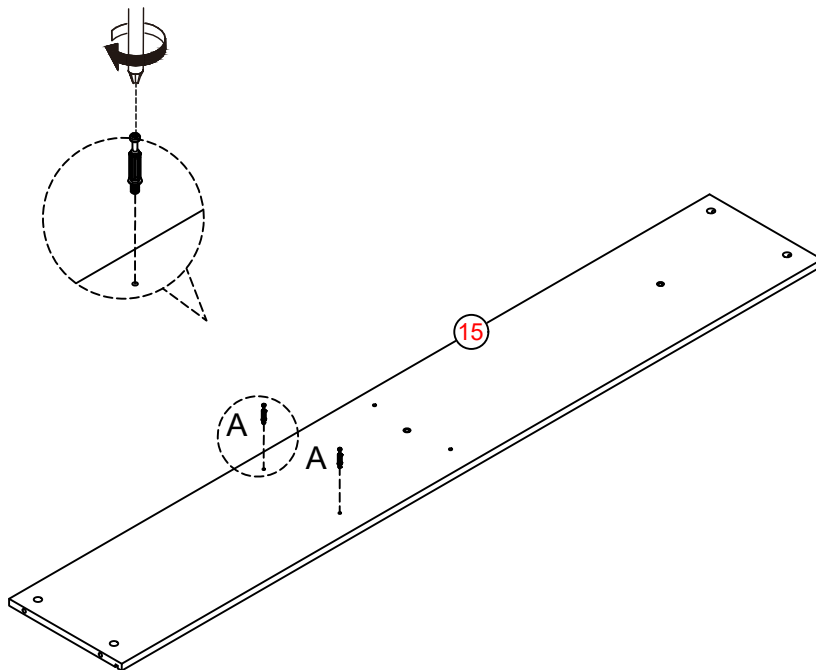


25

A M5X42



2 PCS

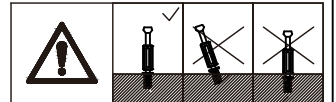
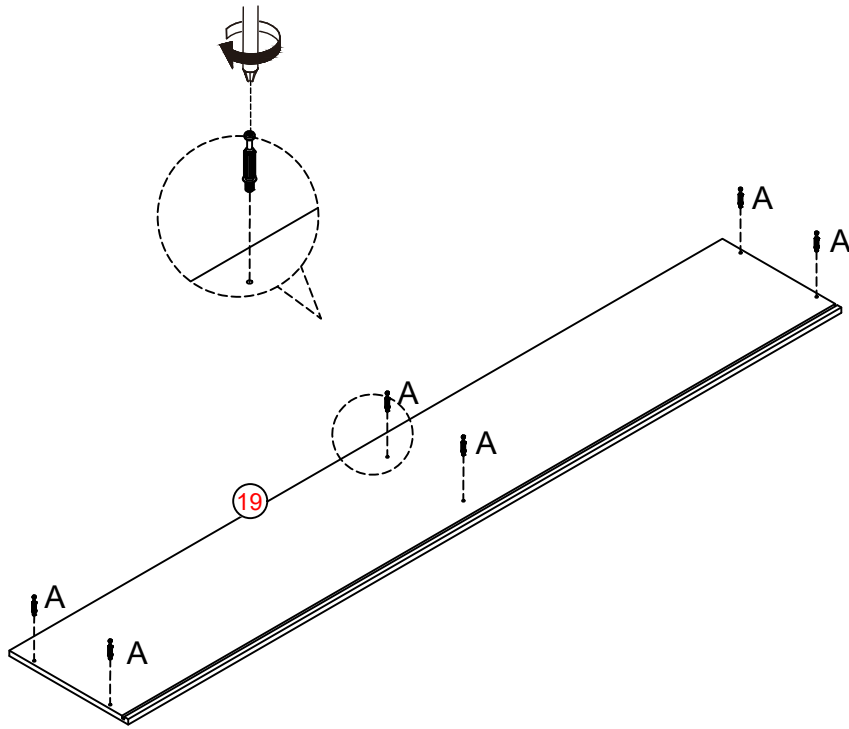


26

A M5X42



6 PCS

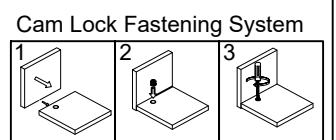
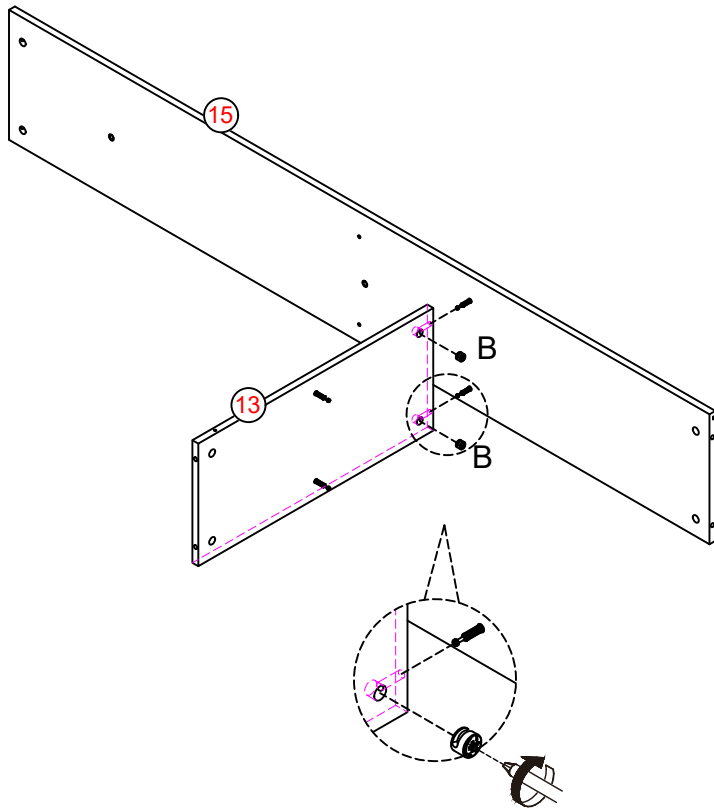


27

B Ø15X10



2 PCS

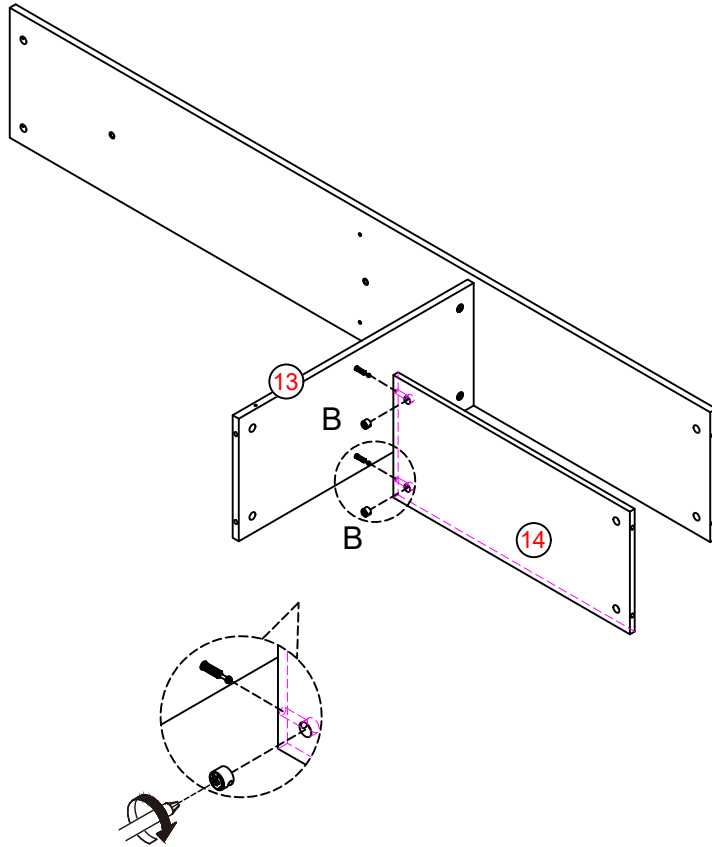


28

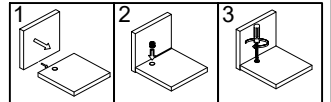
B Ø15X10



2 PCS



Cam Lock Fastening System

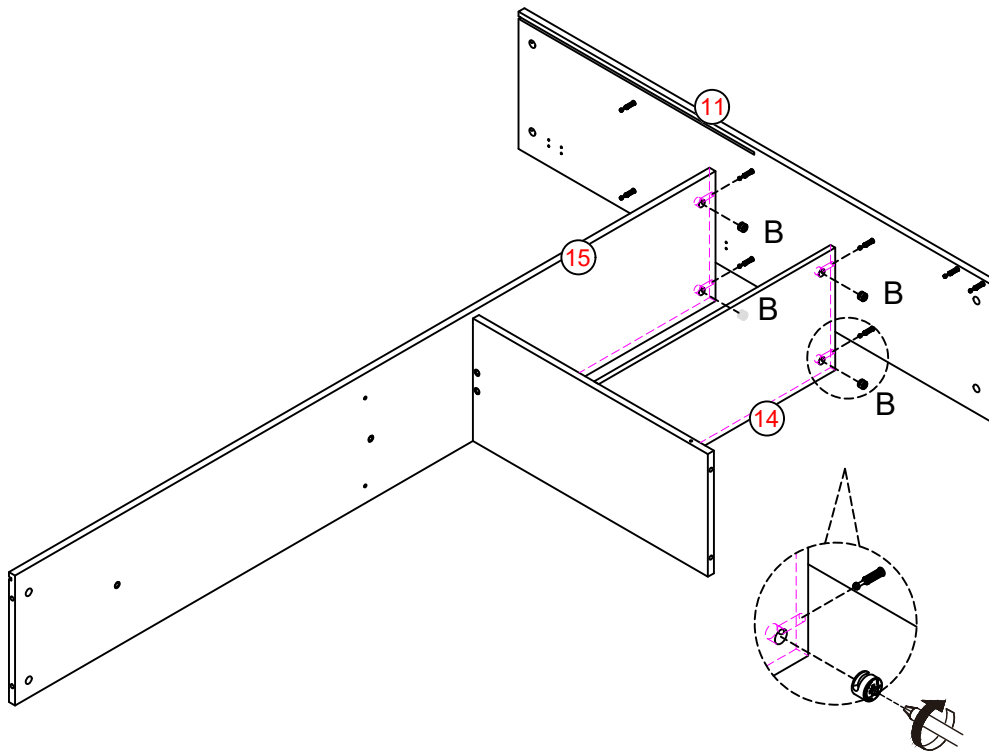


29

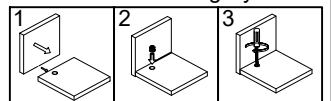
B Ø15X10



4 PCS



Cam Lock Fastening System

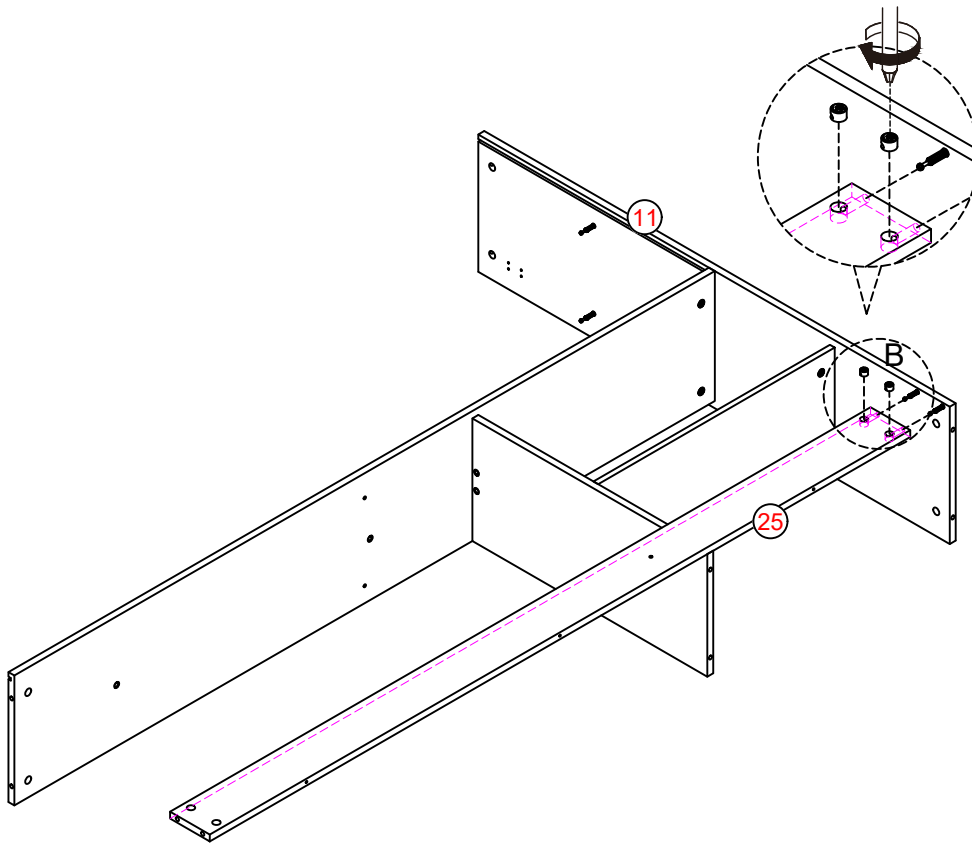


30

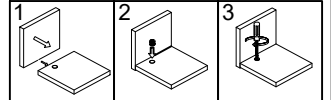
B Ø15X10



2 PCS



Cam Lock Fastening System

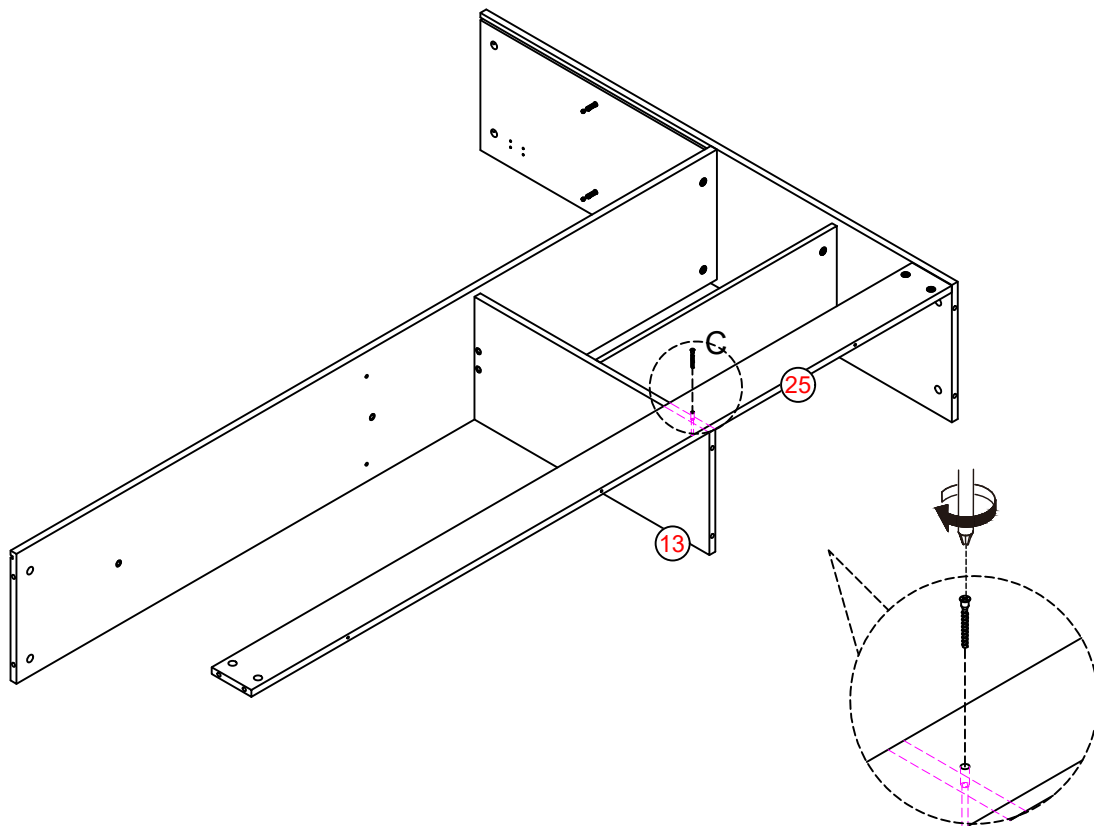


31

C M5X40



1 PC

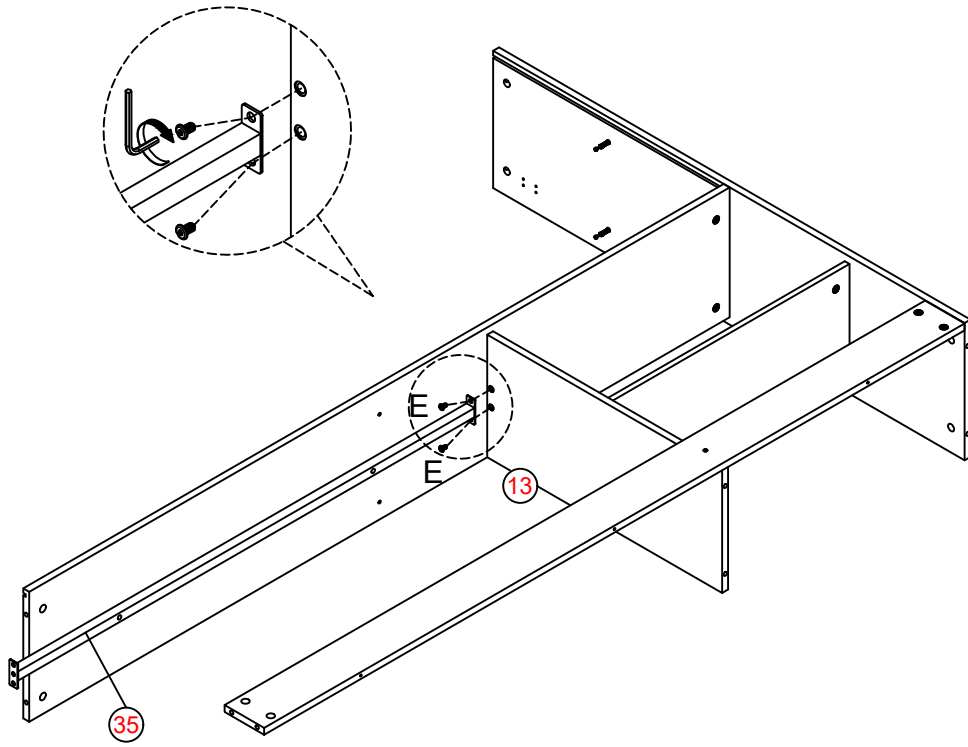


32

E M6X10



2 PCS

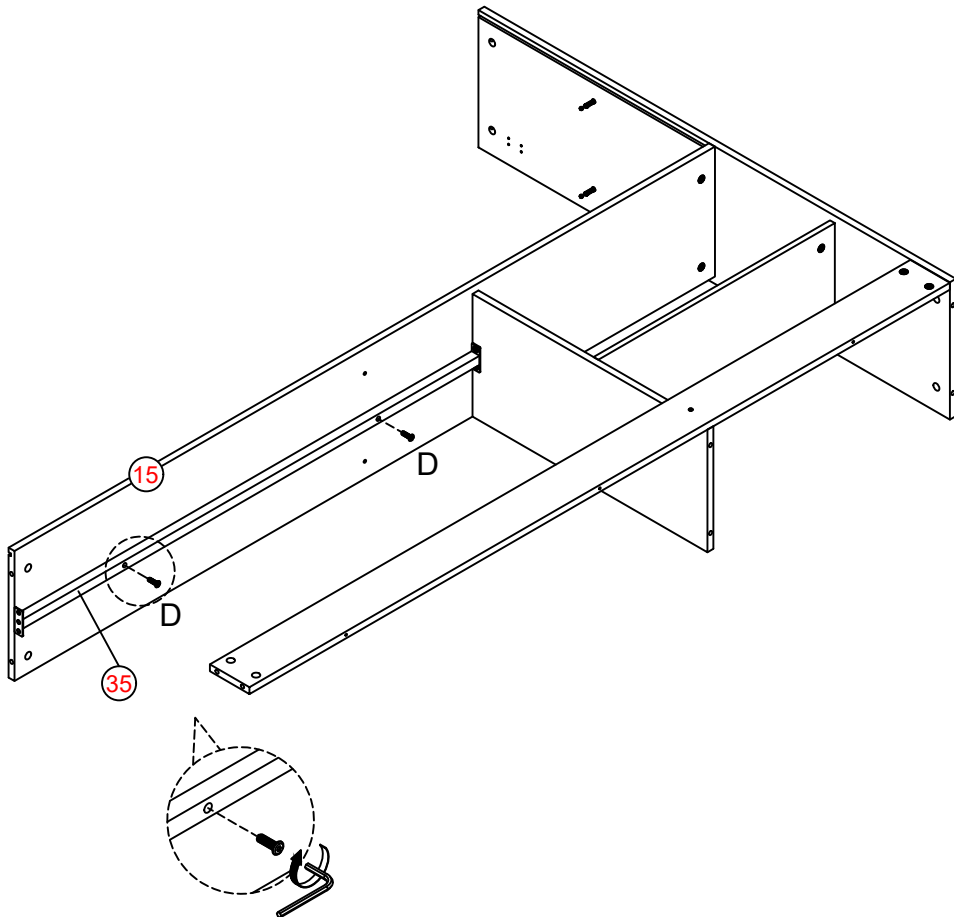


33

D M6X30



2 PCS

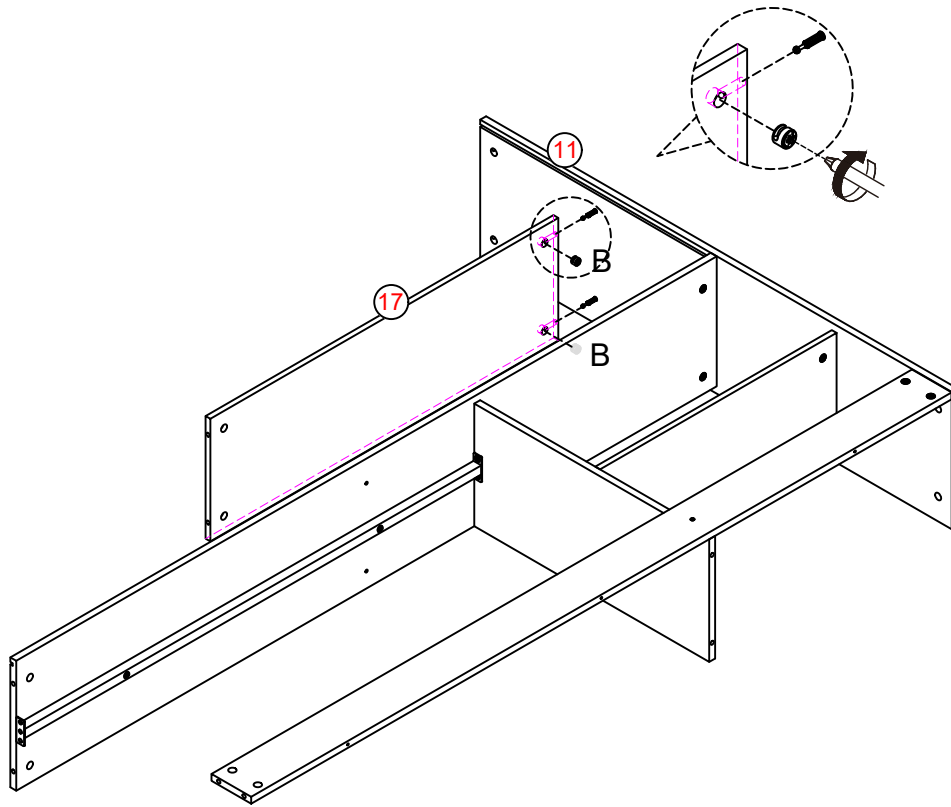


34

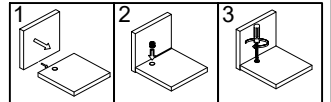
B Ø15X10



2 PCS



Cam Lock Fastening System

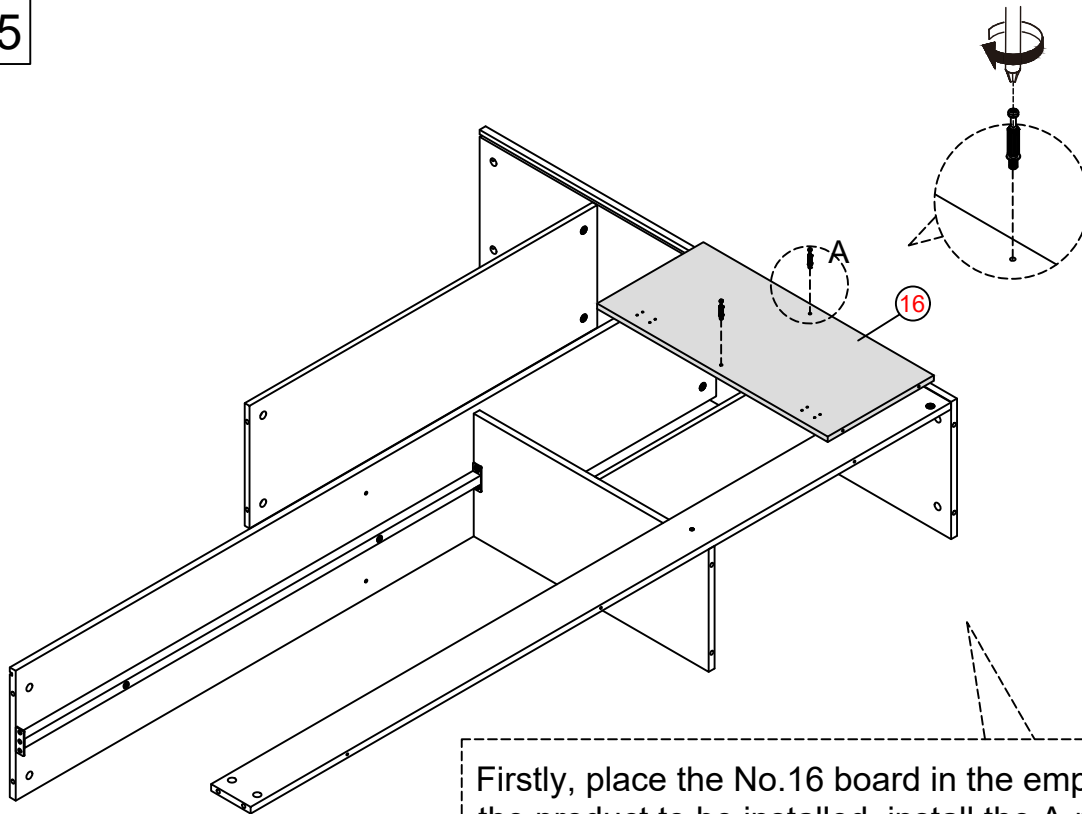


35

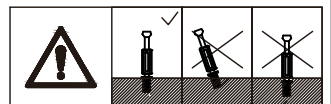
A M5X42



2 PCS



Firstly, place the No.16 board in the empty space in front of the product to be installed, install the A-numbered lead screw on the side, and then proceed to the next step of installation.

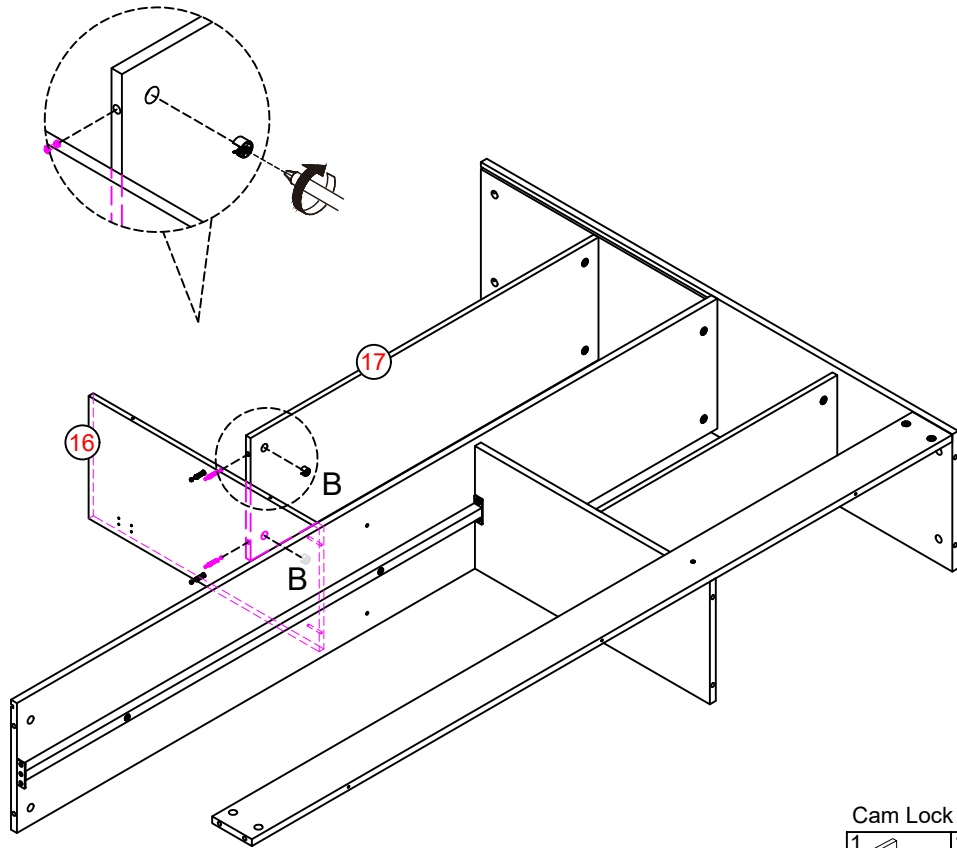


36

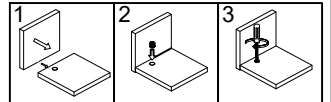
B Ø15X10



2 PCS



Cam Lock Fastening System

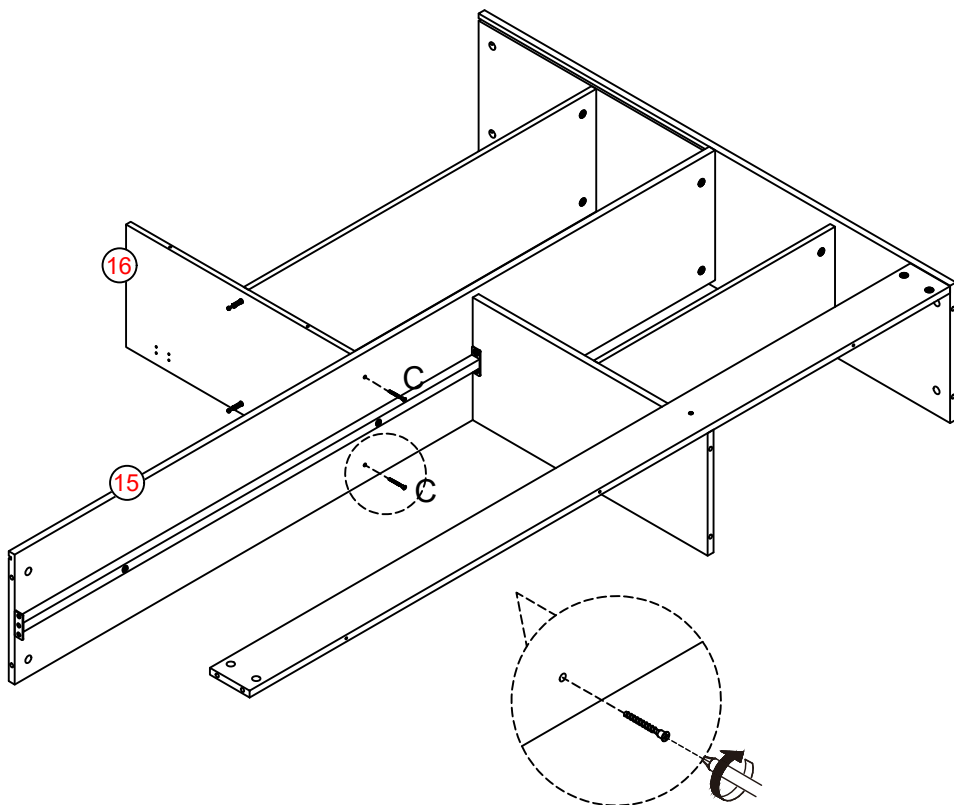


37

C M5X40



2 PCS

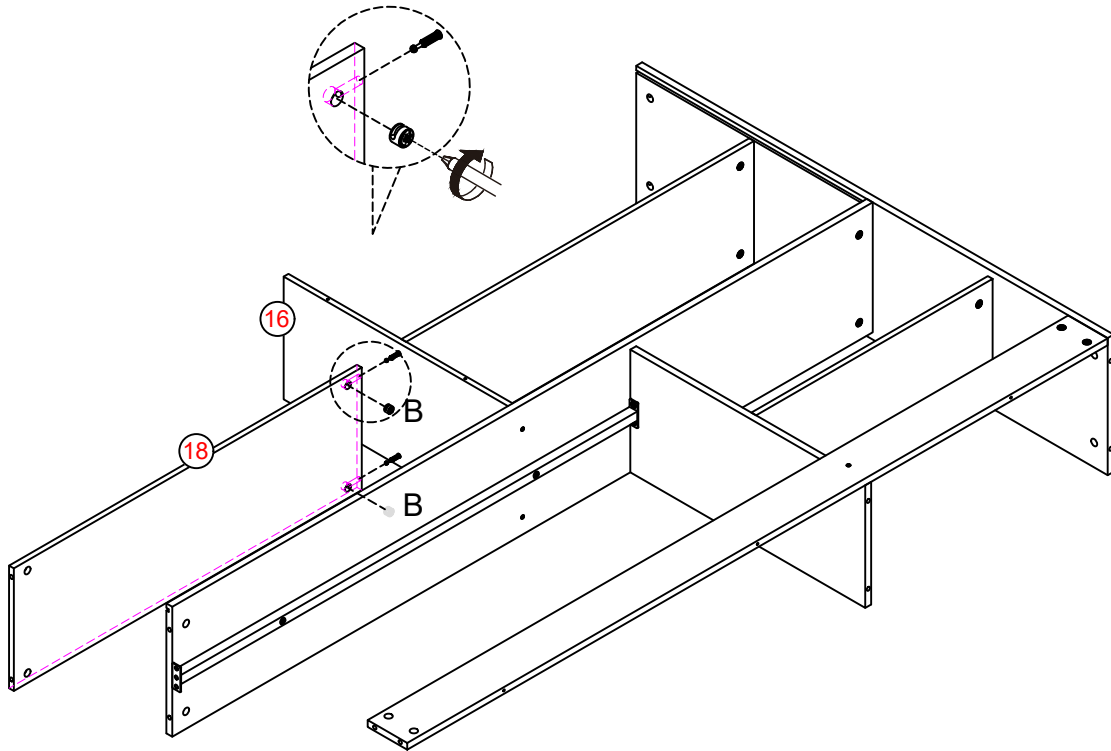


38

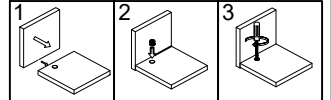
B Ø15X10



2 PCS



Cam Lock Fastening System

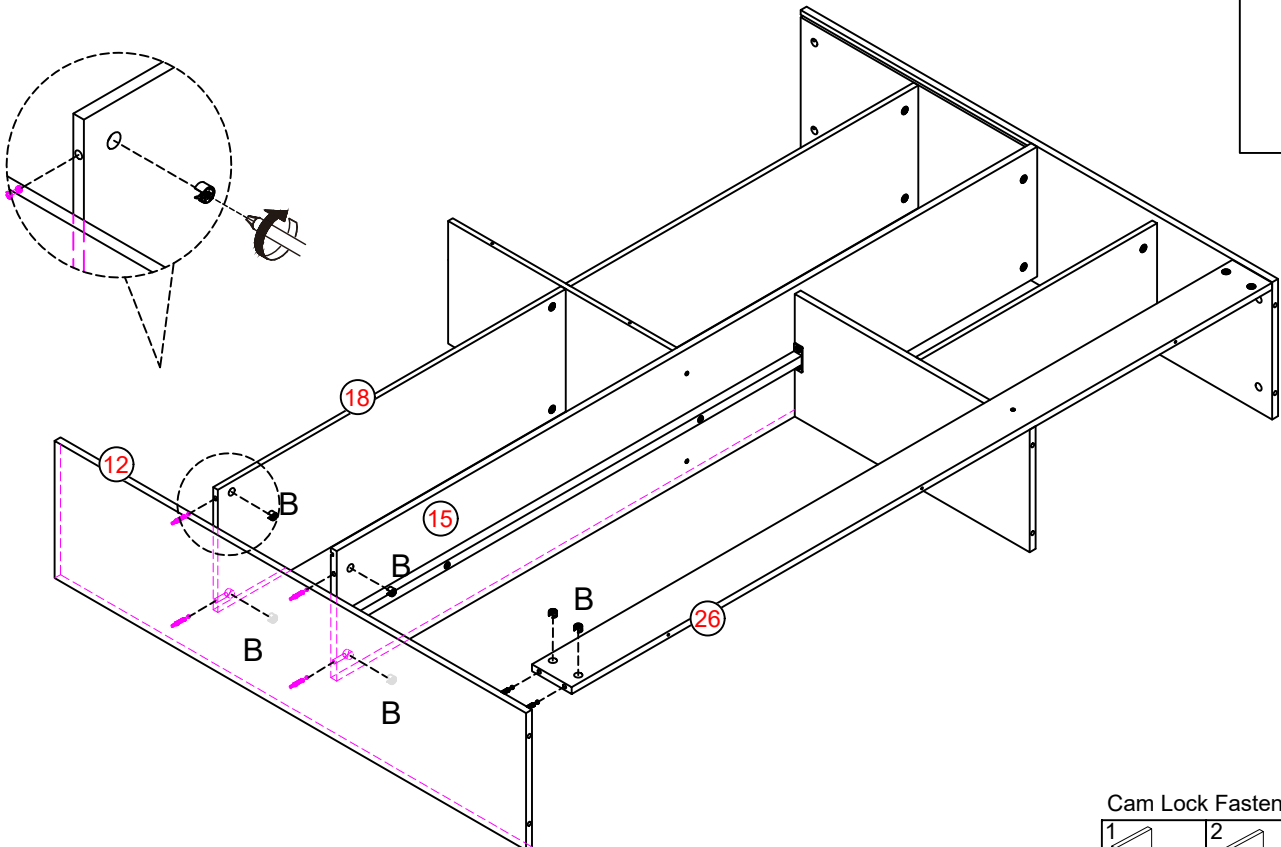


39

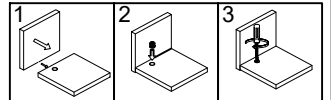
B Ø15X10

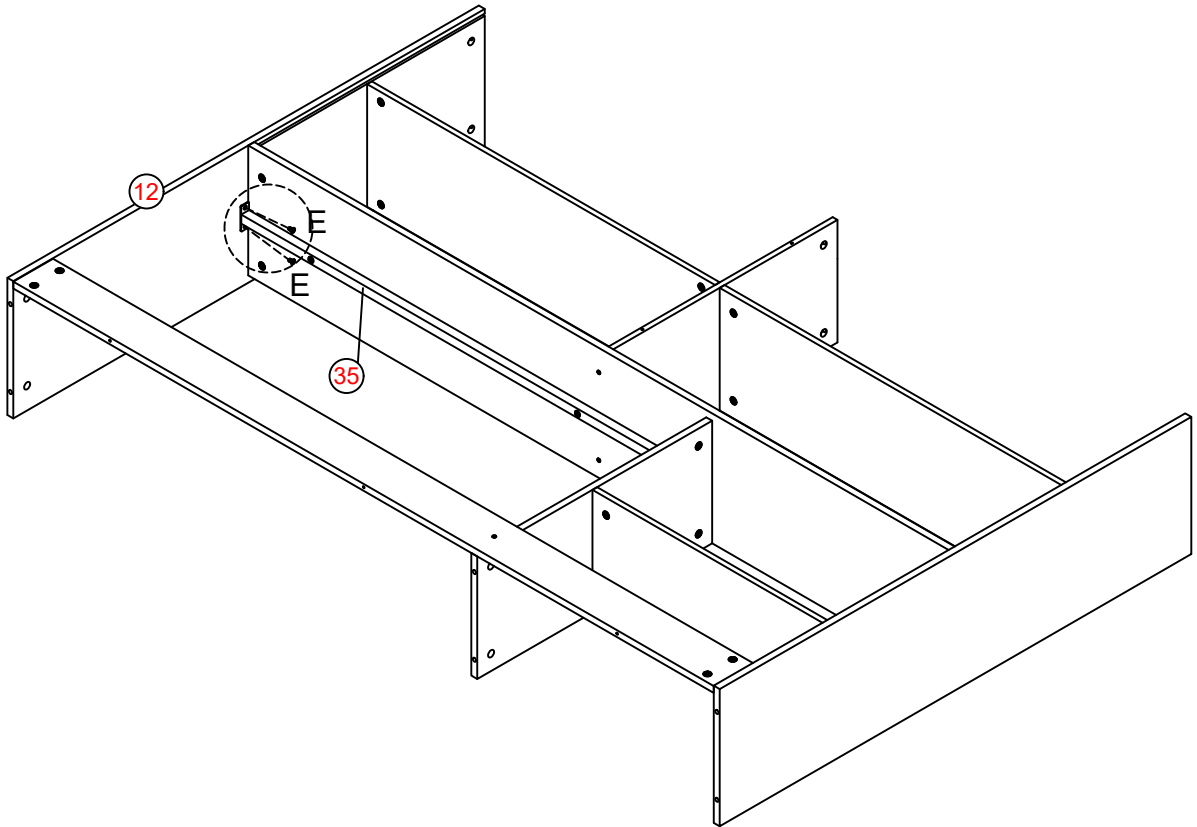
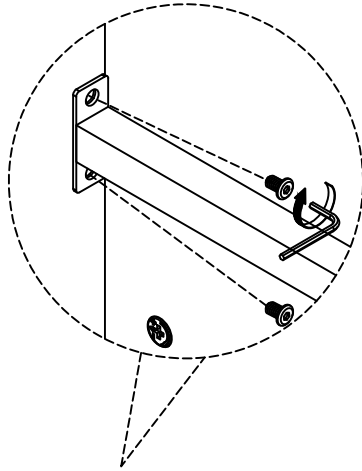


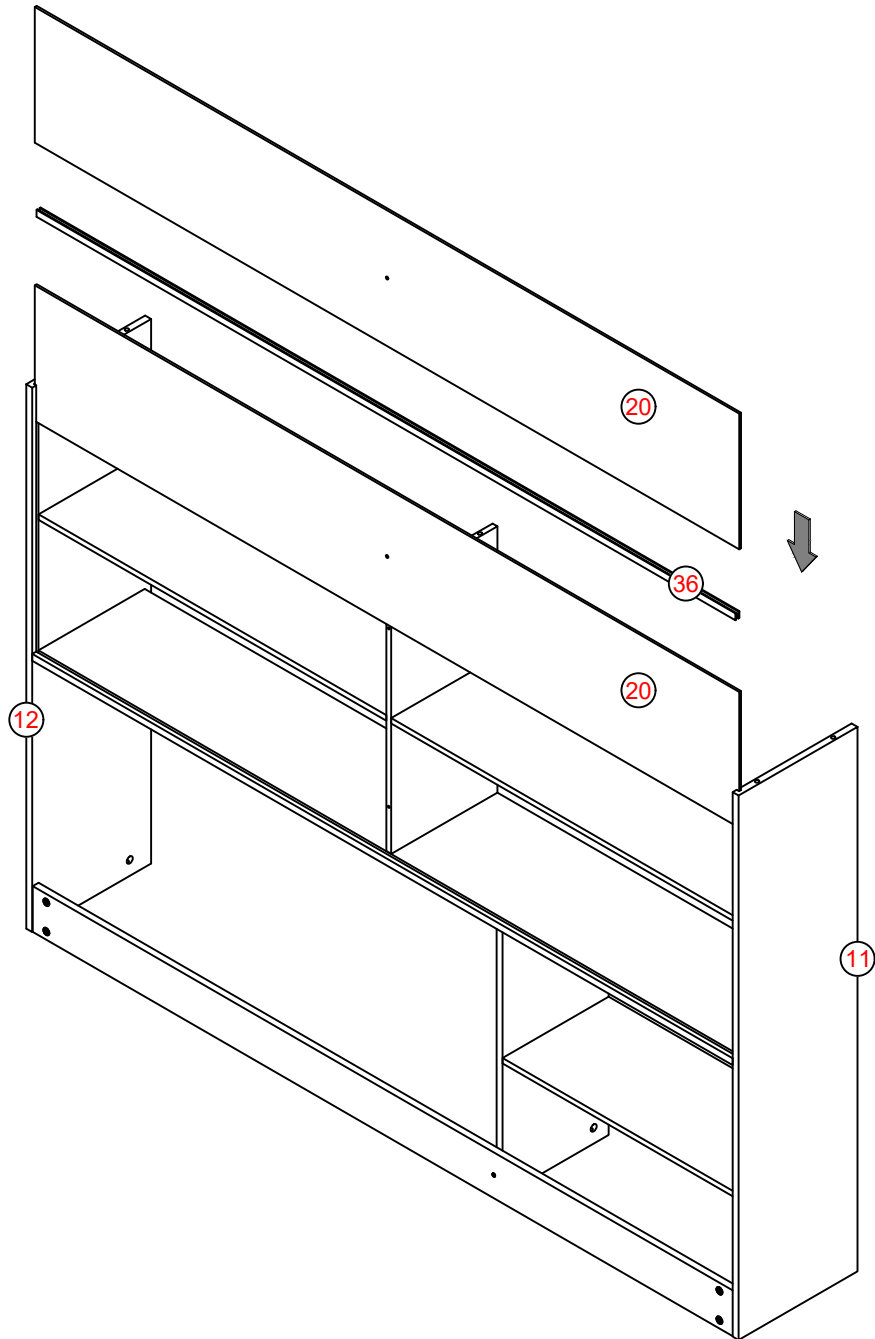
6 PCS



Cam Lock Fastening System



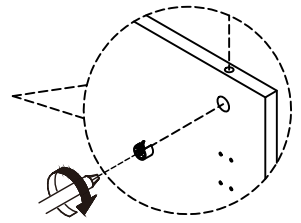
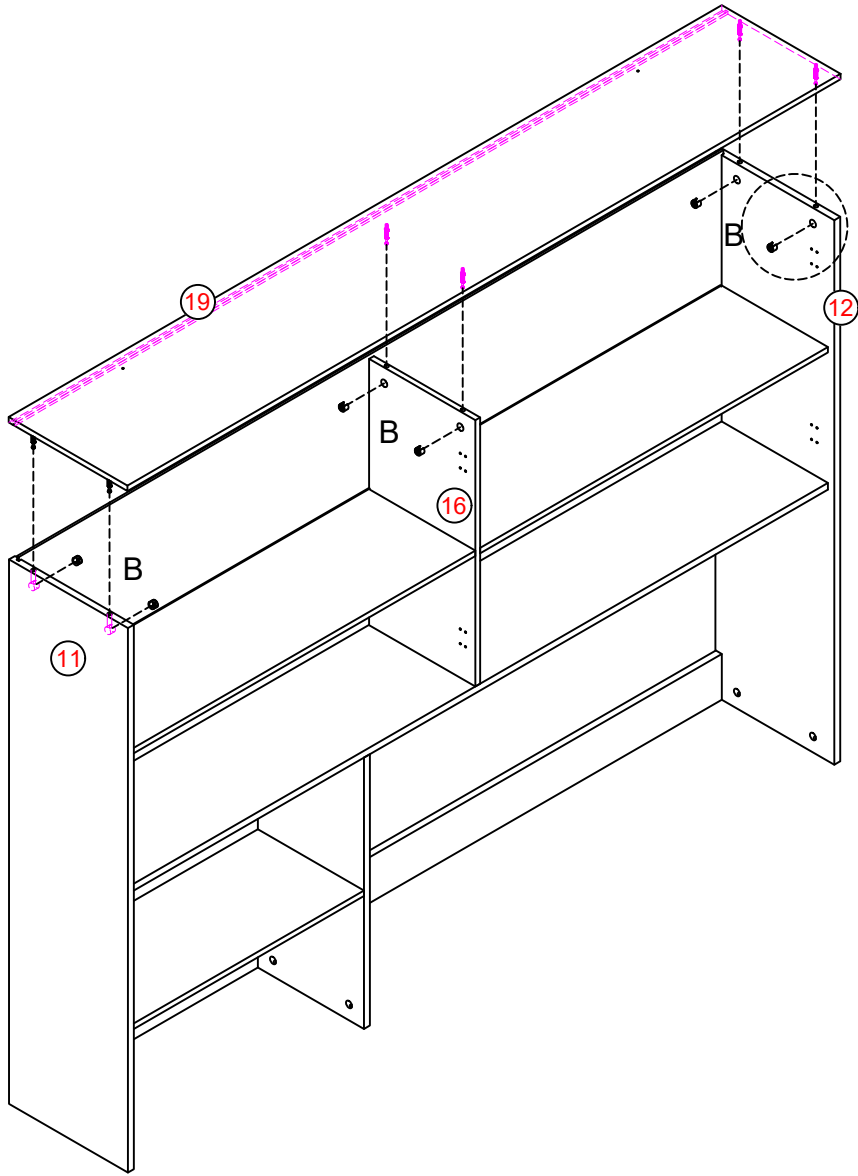




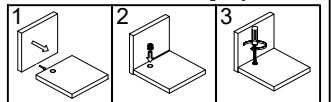
B Ø15X10



6 PCS



Cam Lock Fastening System



G M3.5X12

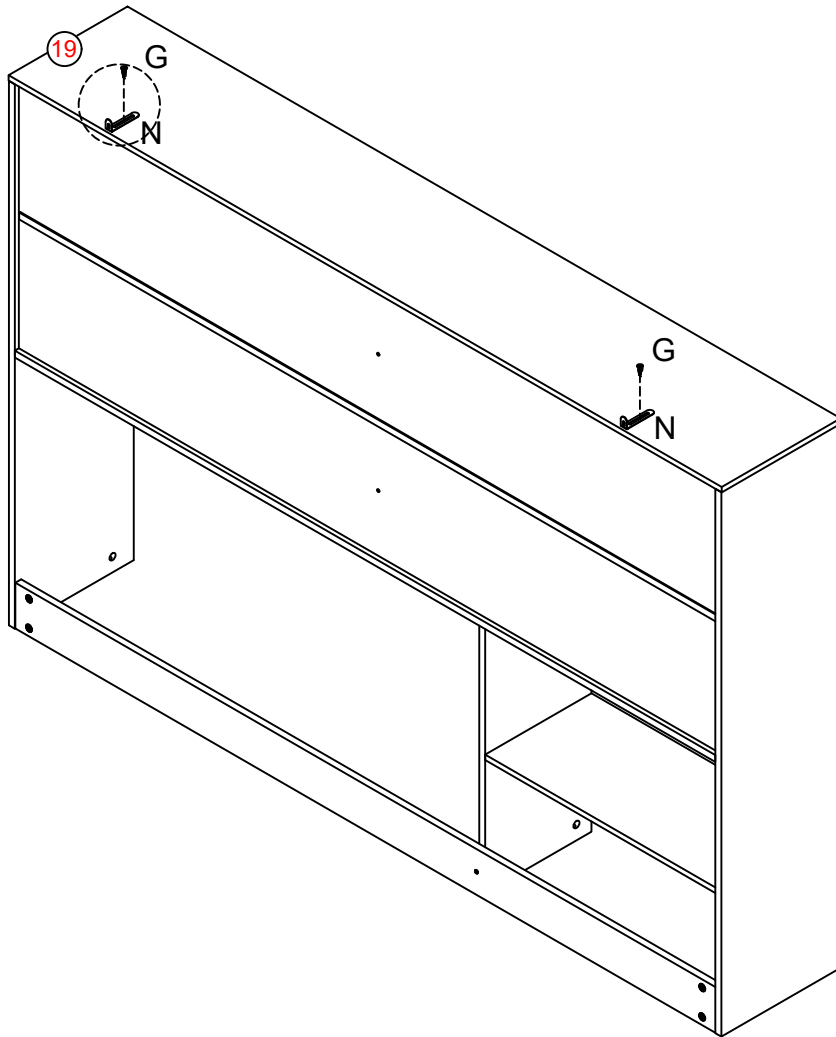
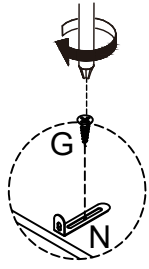
N M5X55



2 PCS



2 PCS



F M3.5X14

H M3.5X18

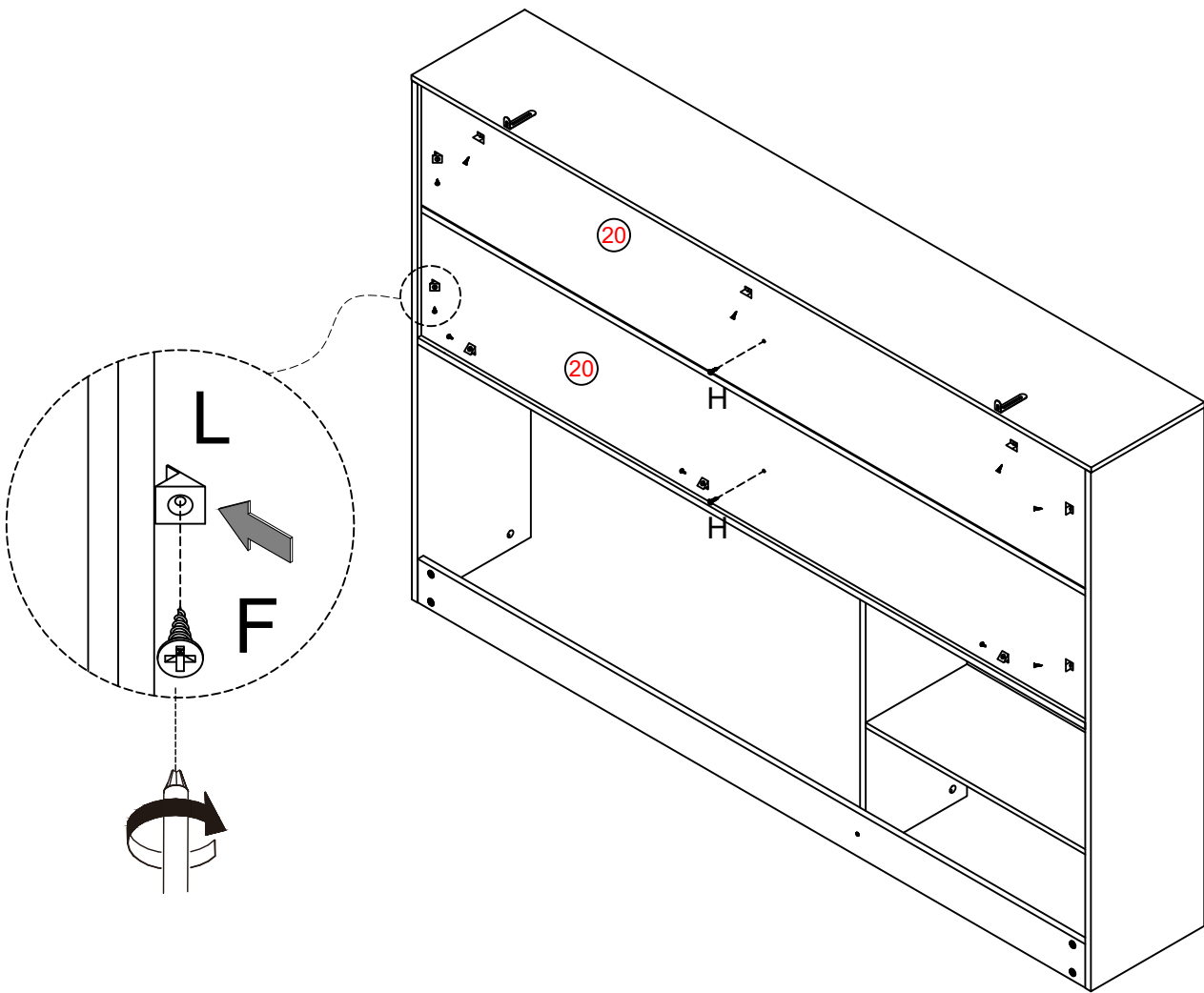
L

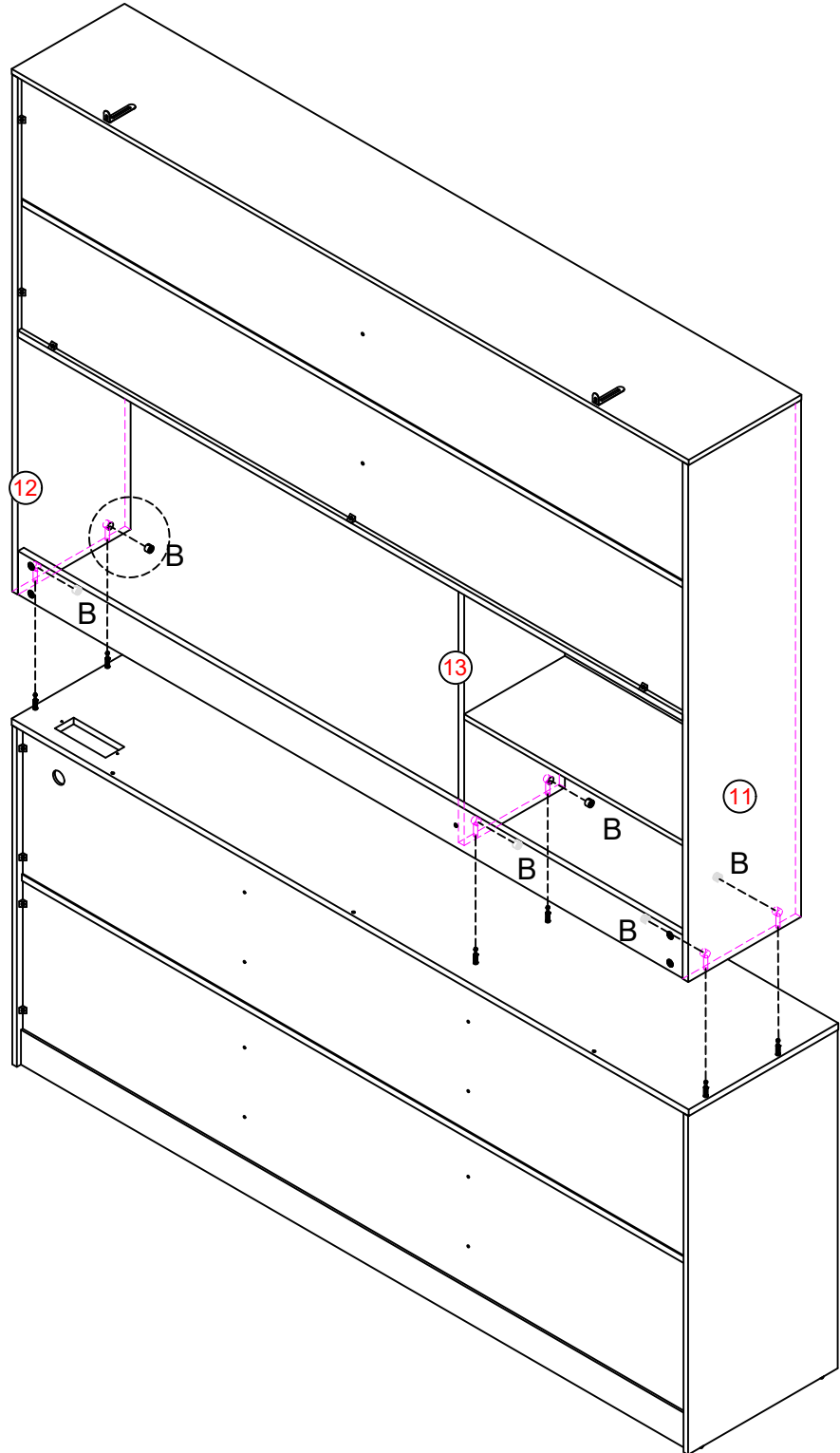
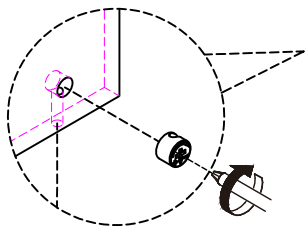


10 PCS

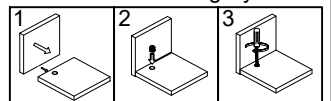
2 PCS

10 PCS



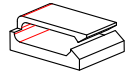


Cam Lock Fastening System



46

K

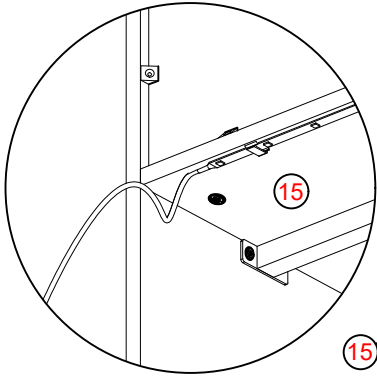


4 PCS

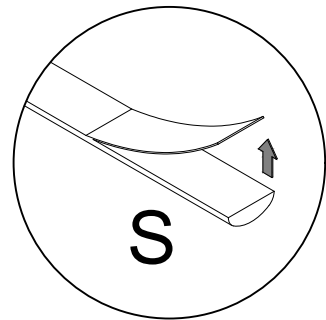
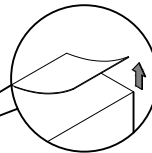
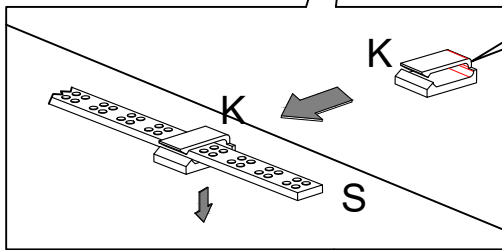
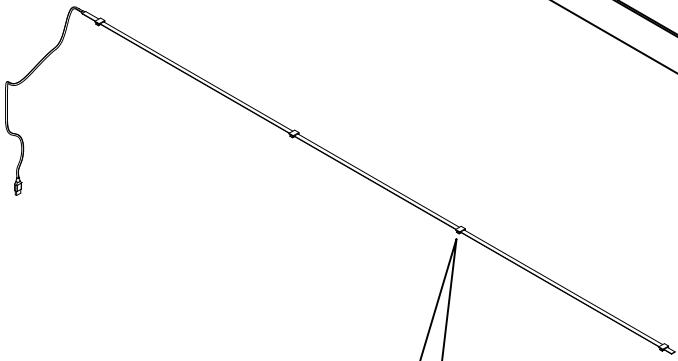
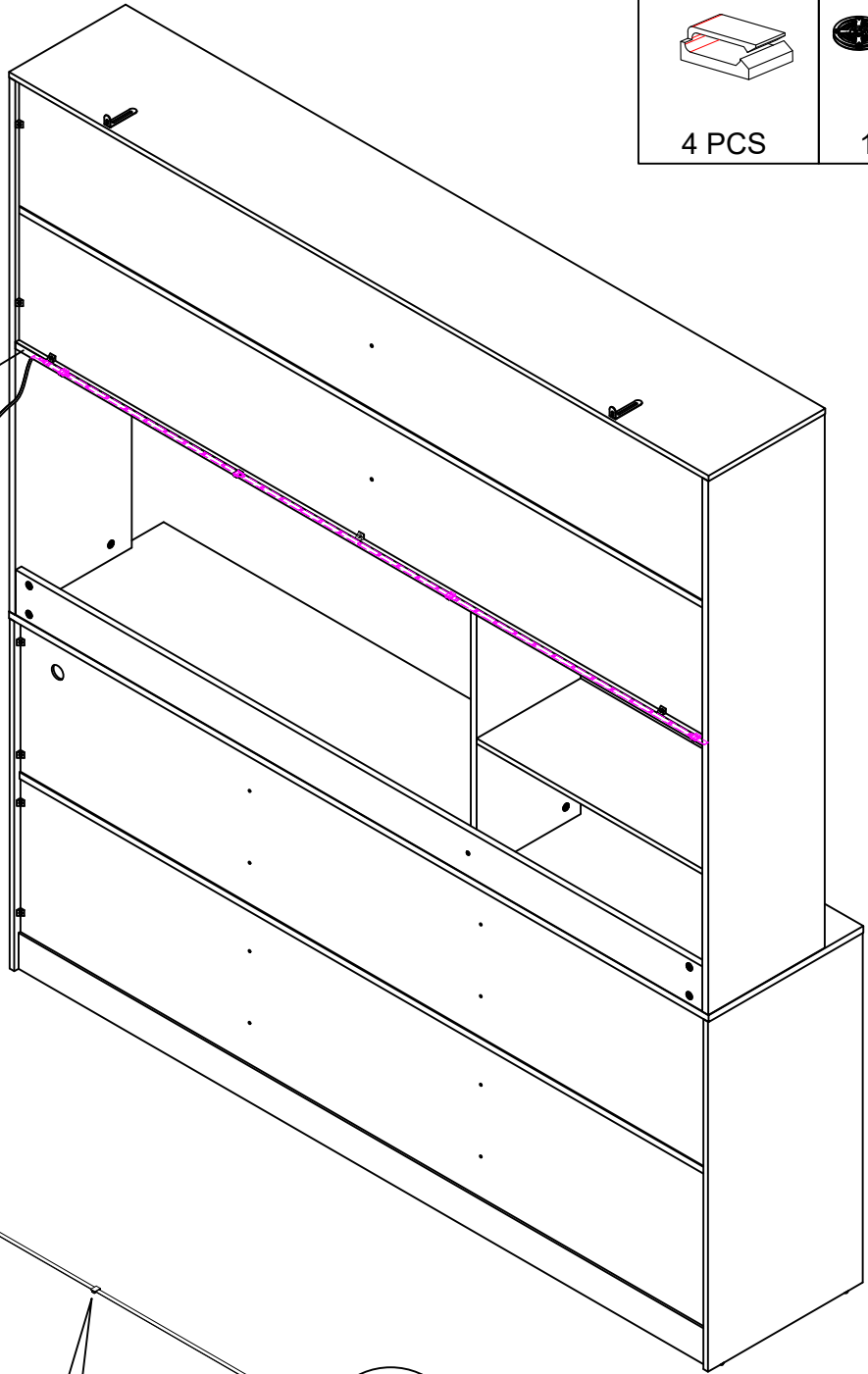
S



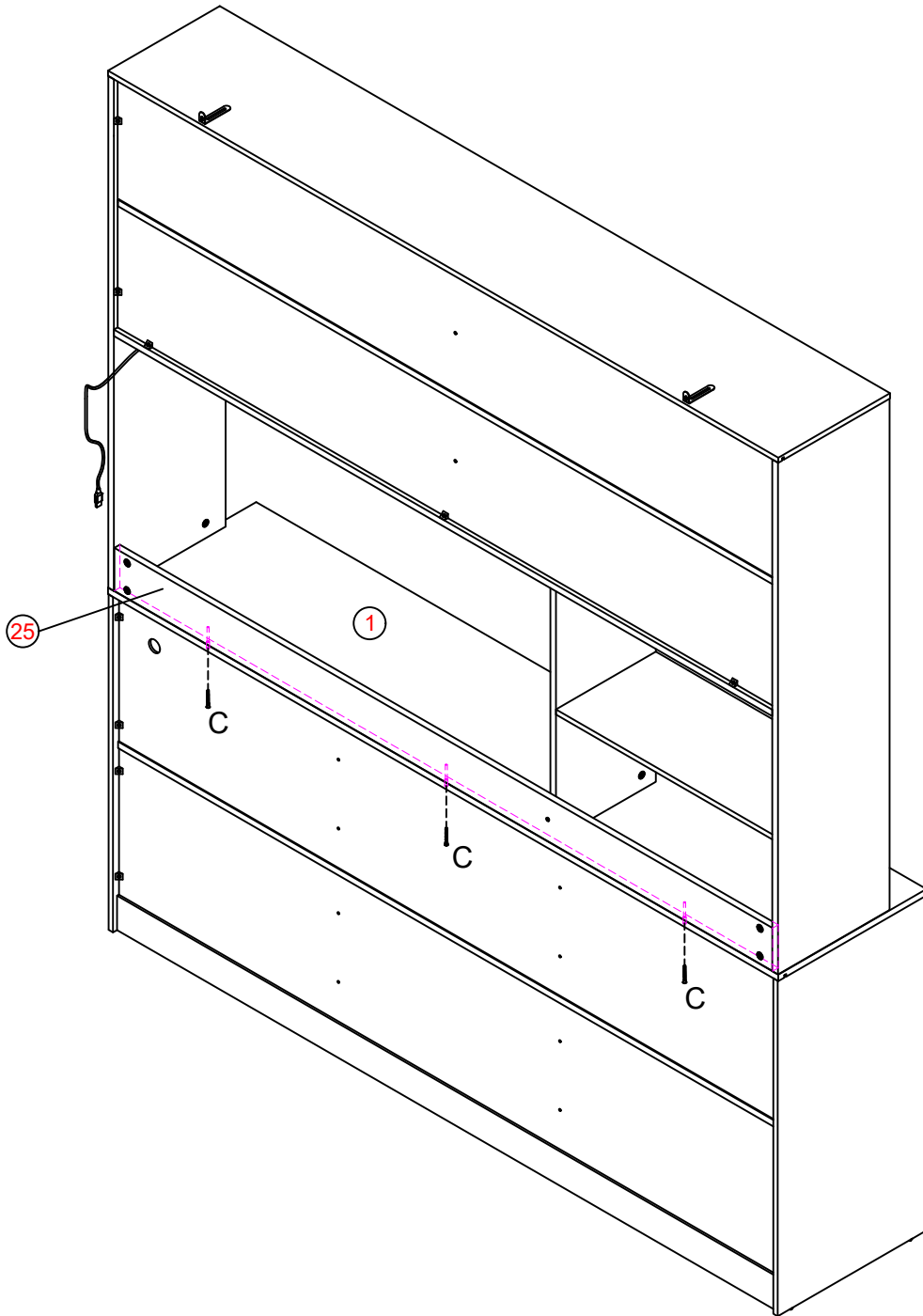
1 PC



15

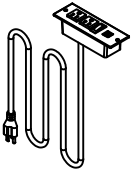


Peel off the tape and stick it onto the board, then press firmly with your hand



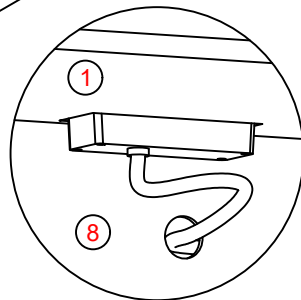
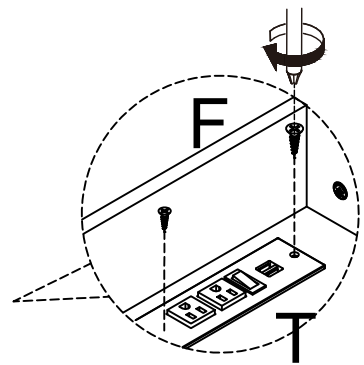
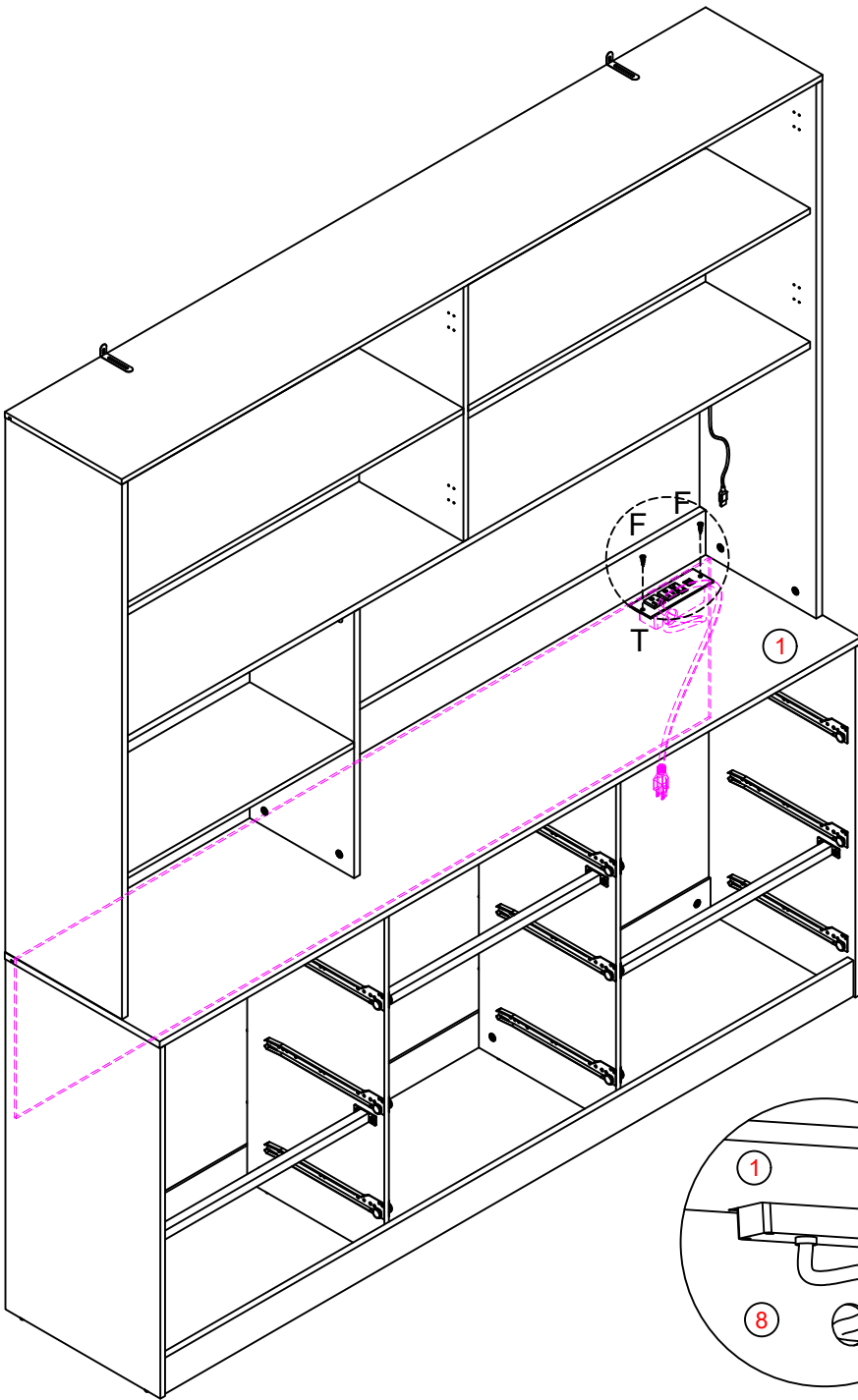
F M3.5X14

T



2 PCS

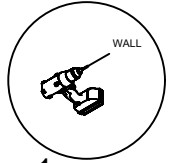
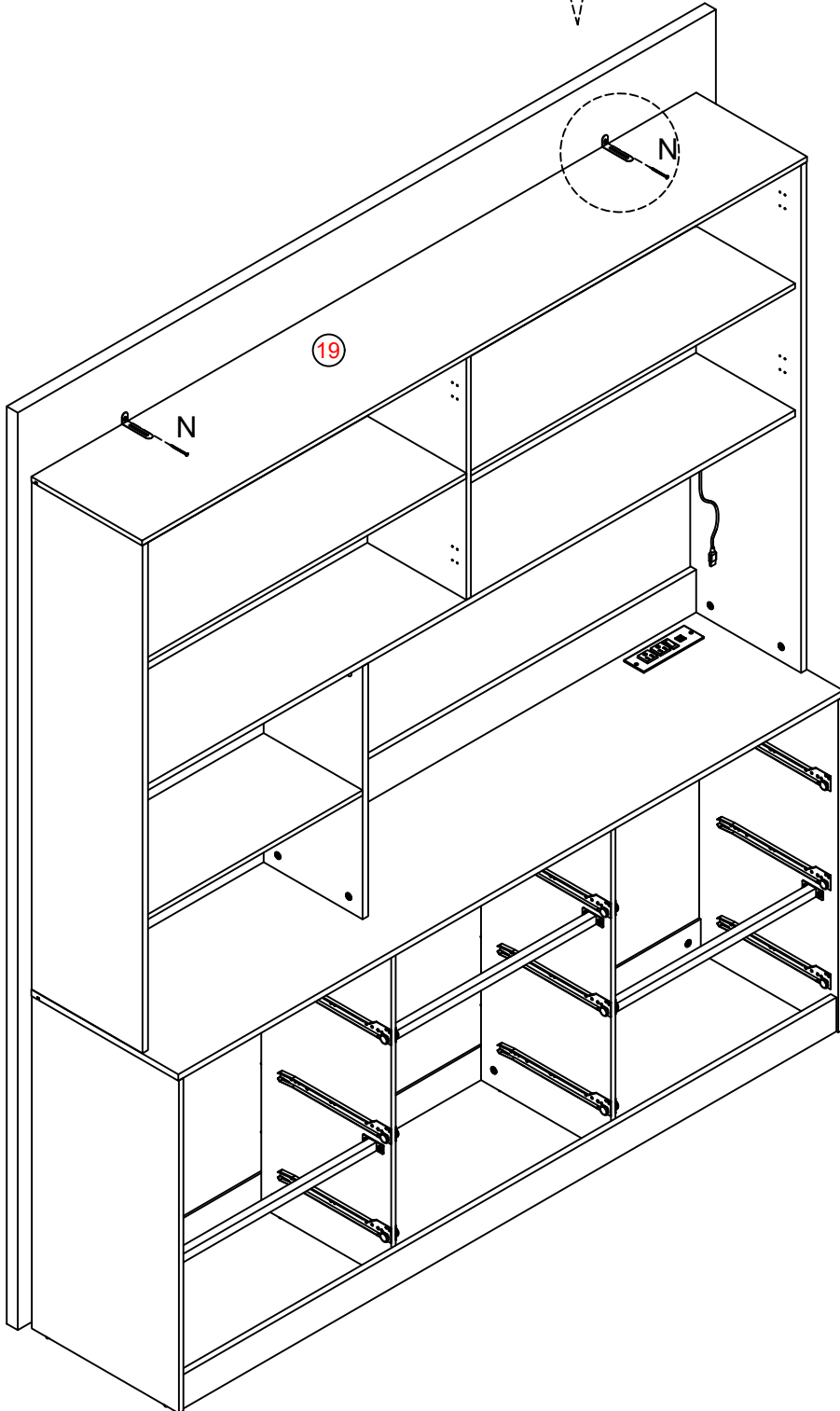
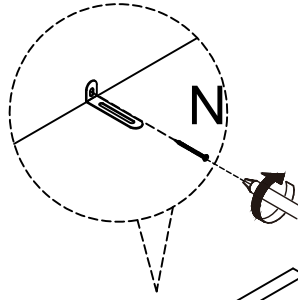
1 PC



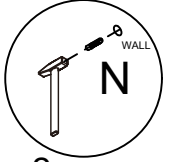
N M5X55



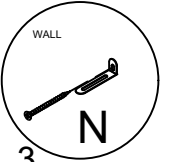
2 PCS



1



2

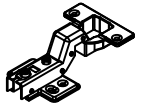


3

50

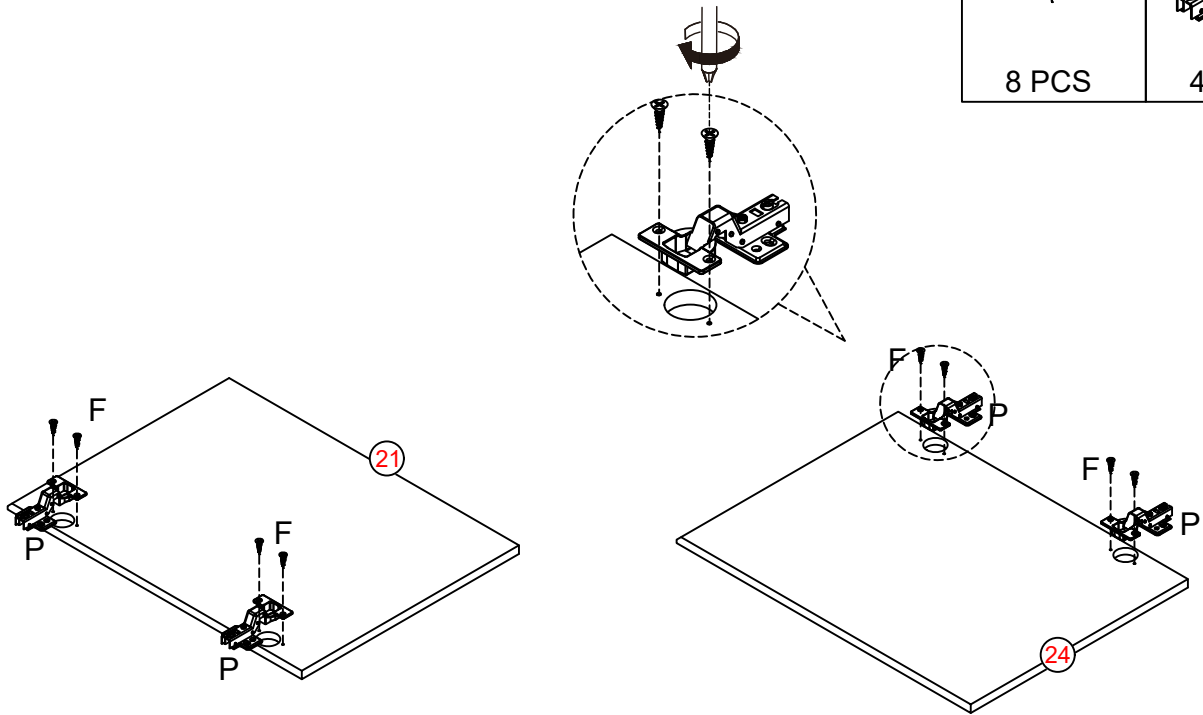
F M3.5X14

P DW



8 PCS

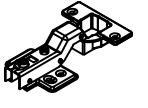
4 PCS



51

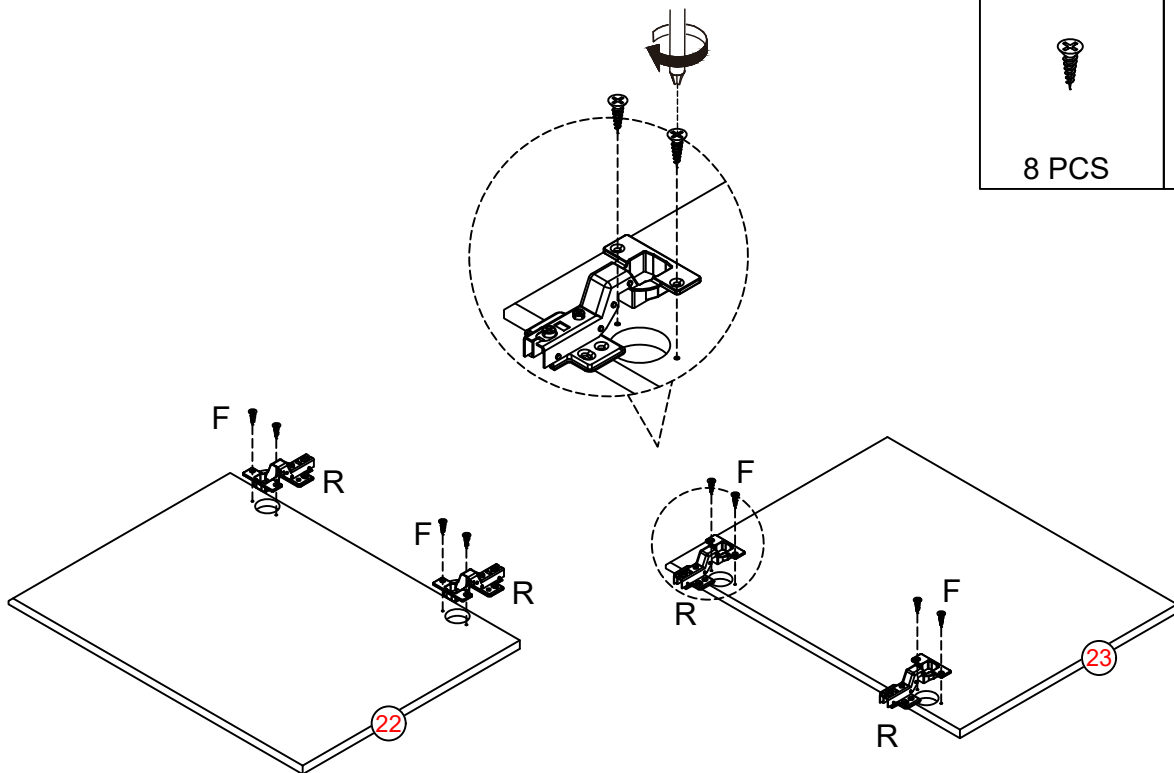
F M3.5X14

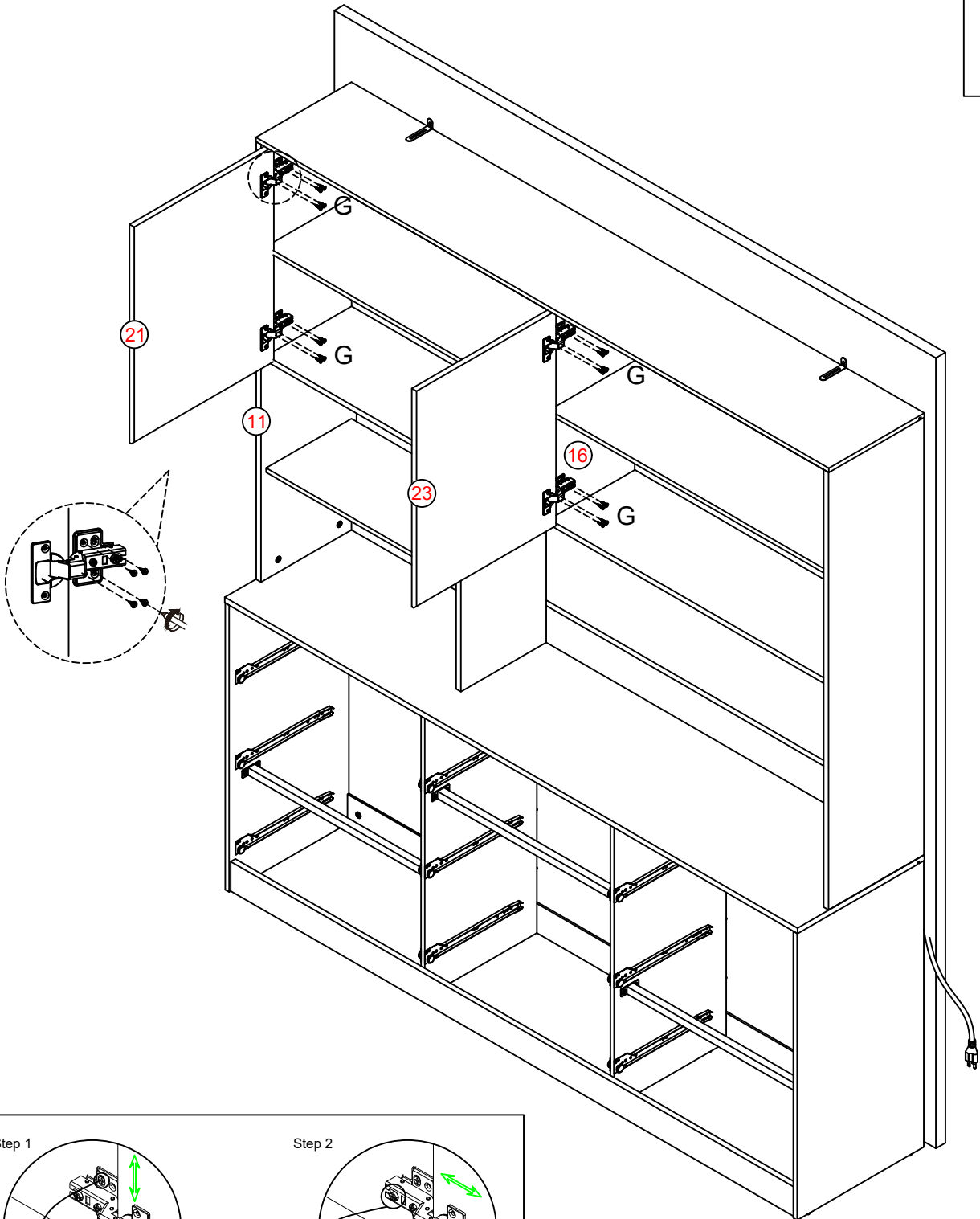
R ZW



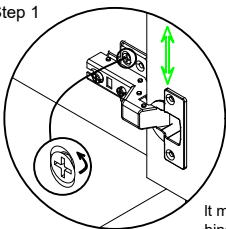
8 PCS

4 PCS

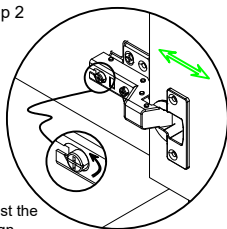




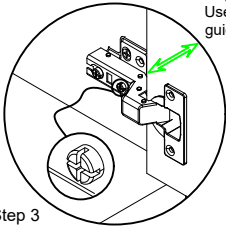
Step 1



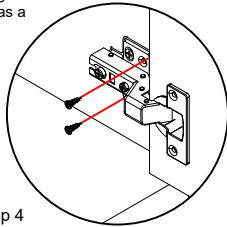
Step 2



Step 3



Step 4

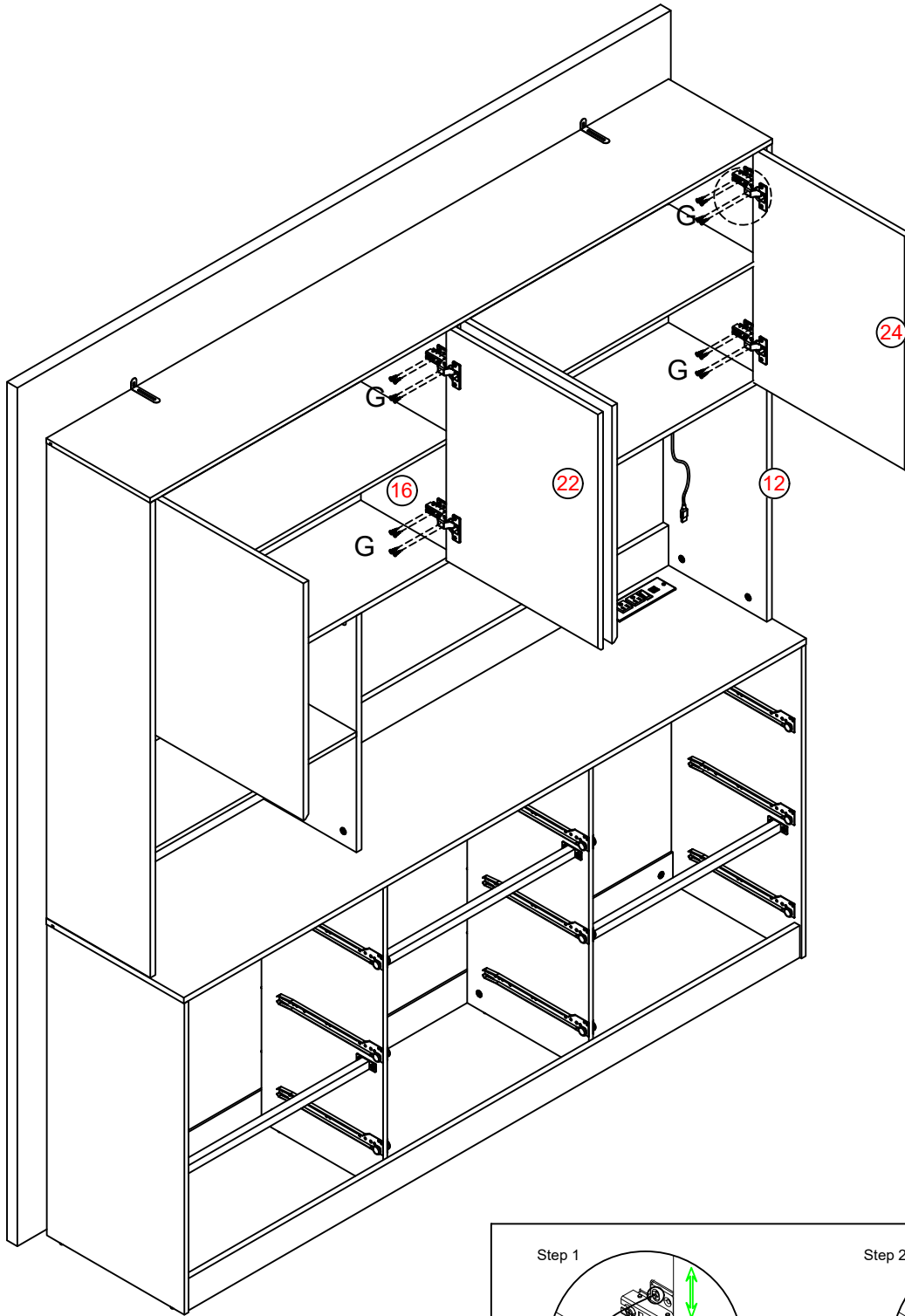


It may be necessary to adjust the hinges so that the doors align. Use the instructions below as a guide

G M3.5X12



16 PCS



Step 1

Step 2

Step 3

Step 4

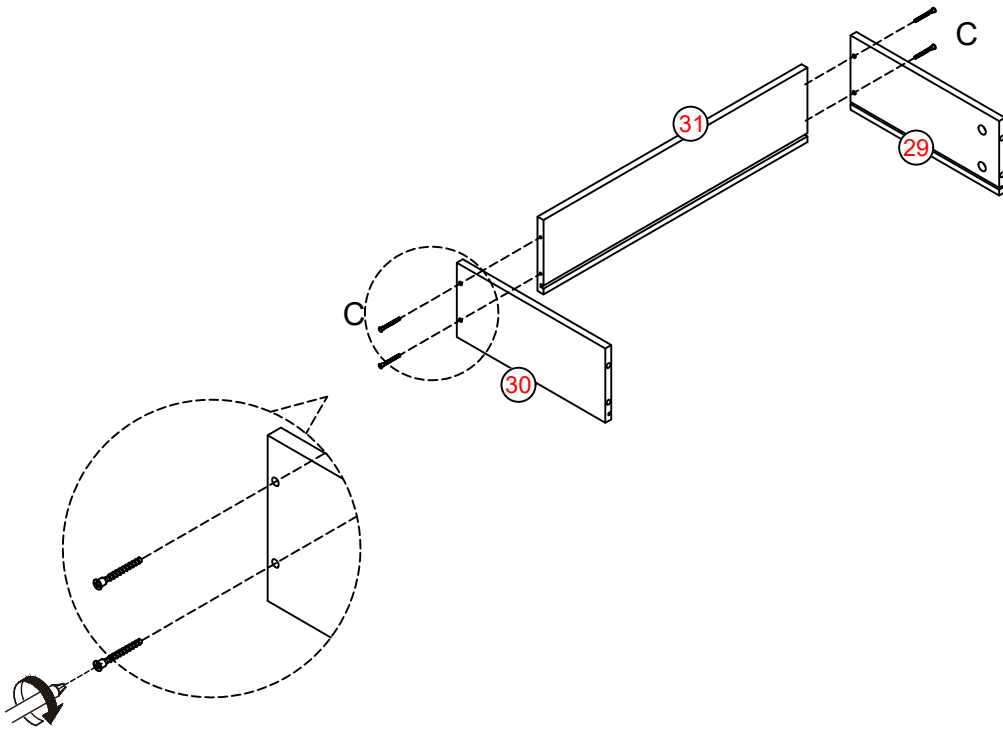
It may be necessary to adjust the hinges so that the doors align. Use the instructions below as a guide

54

C M5X40

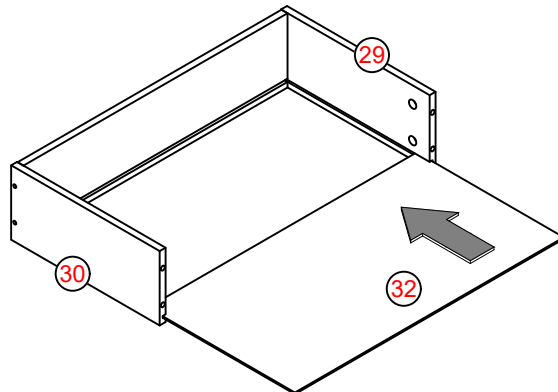


36 PCS



X9

55



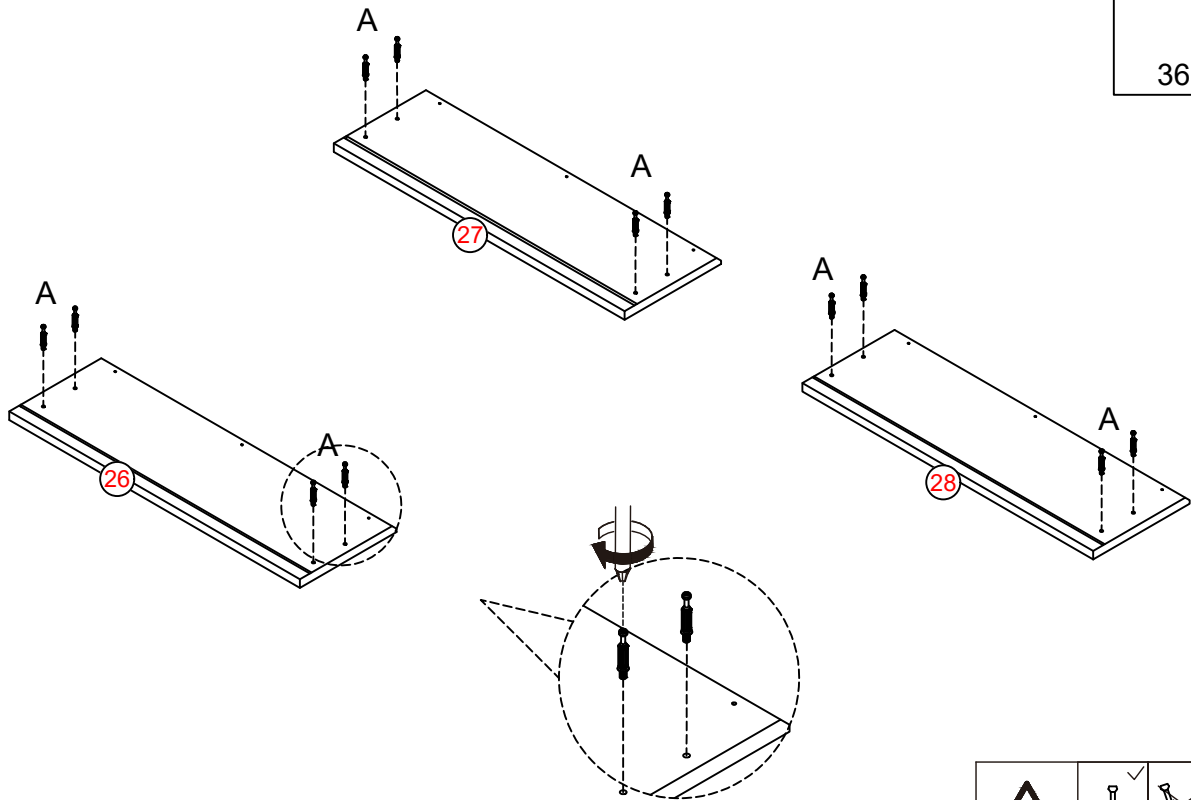
X9

56

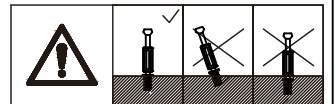
A M5X42



36 PCS



X3

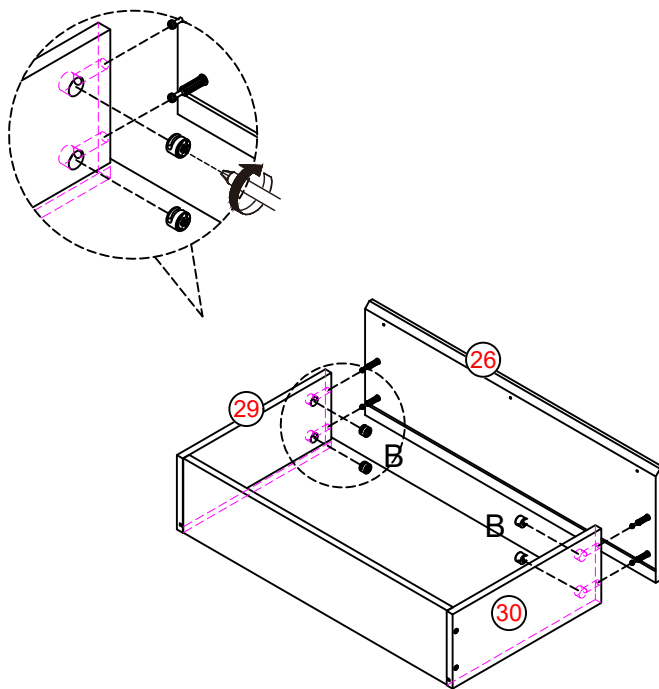


57

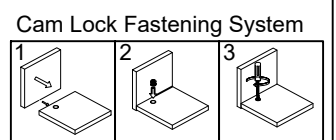
B Ø15X10



12 PCS



X3

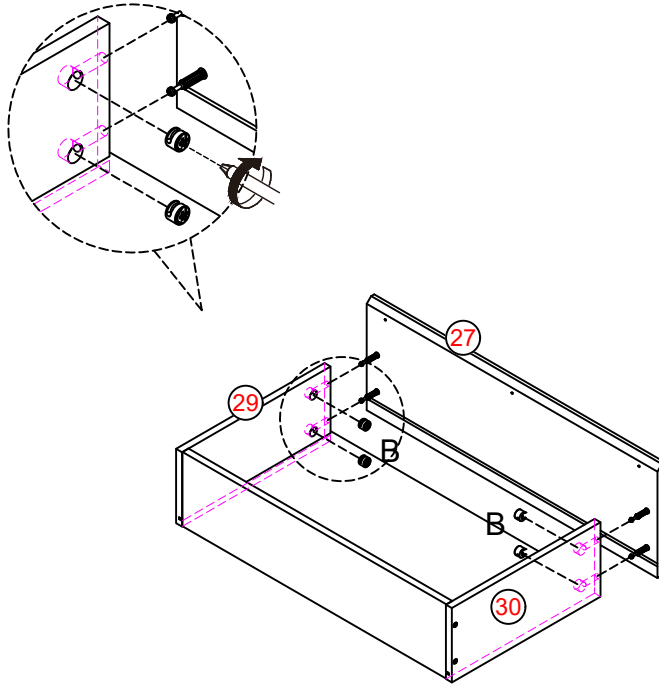


58

B Ø15X10

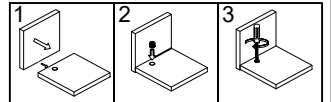


12 PCS



X3

Cam Lock Fastening System

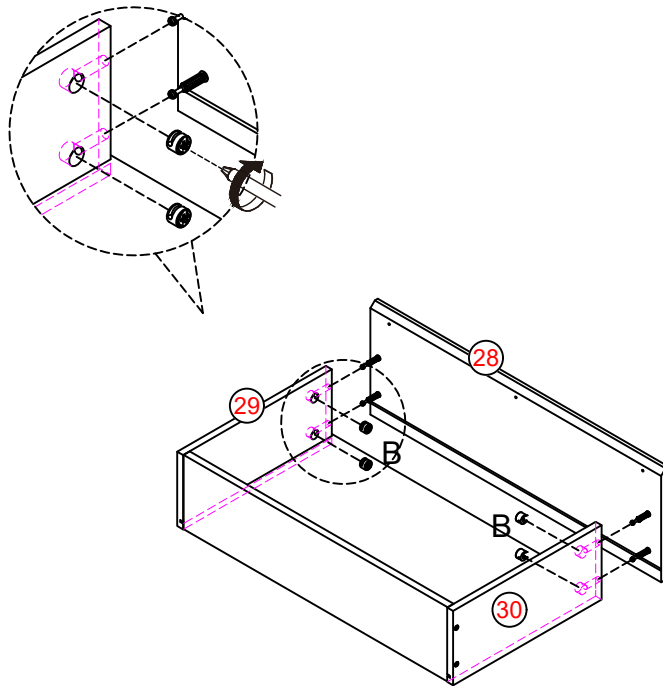


59

B Ø15X10

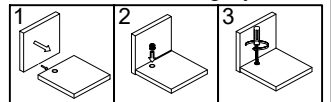


12 PCS

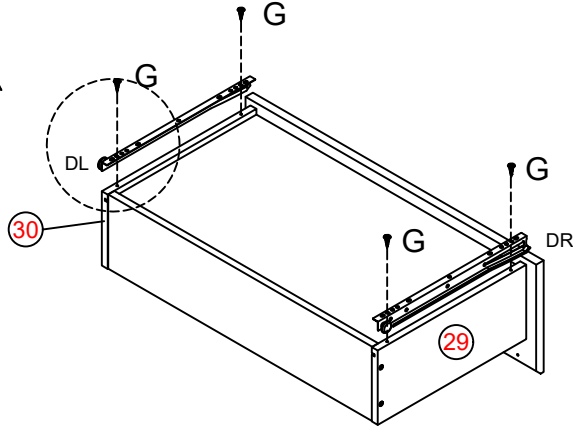
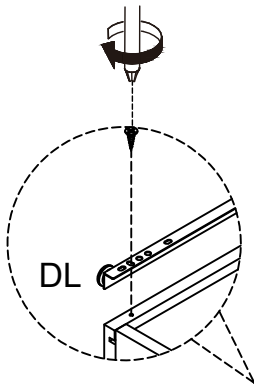


X3

Cam Lock Fastening System



60



G M3.5X12



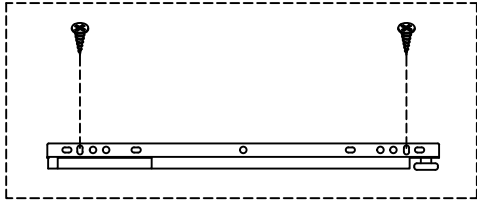
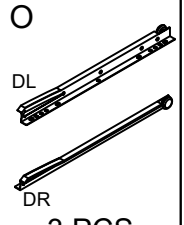
12 PCS

O

DL

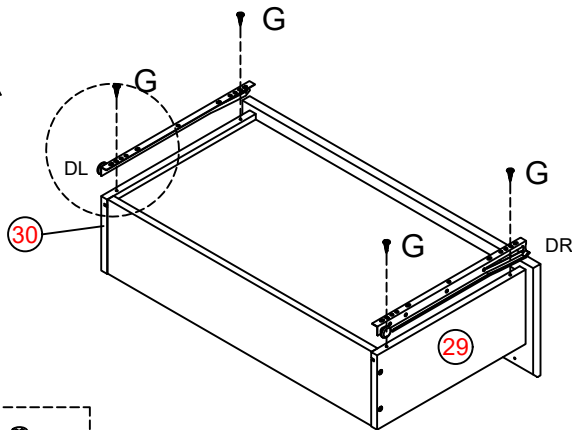
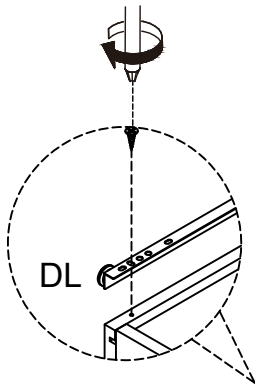
DR

3 PCS



X3

61



G M3.5X12



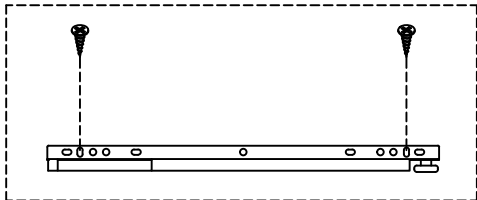
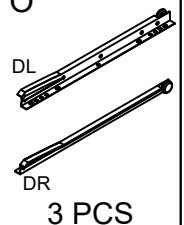
12 PCS

O

DL

DR

3 PCS



X3

62

G M3.5X12

O



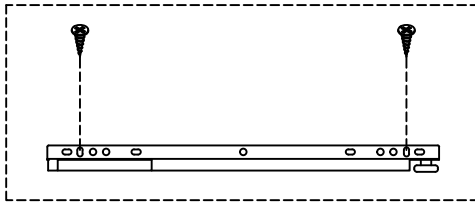
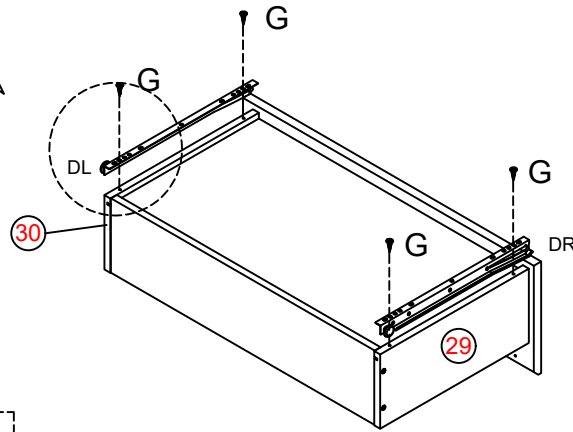
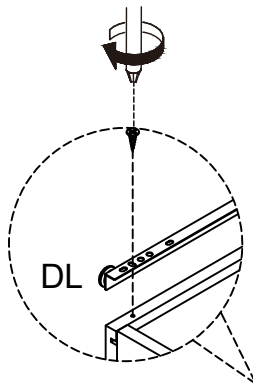
12 PCS

DL



DR

3 PCS



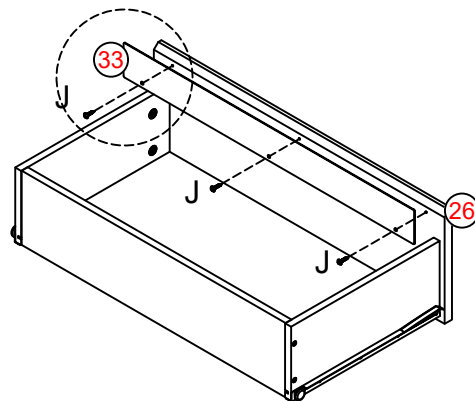
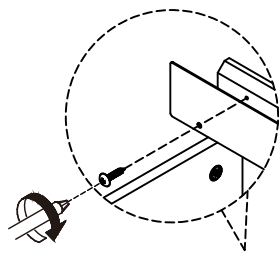
X3

63

J M3.5X14



9 PCS



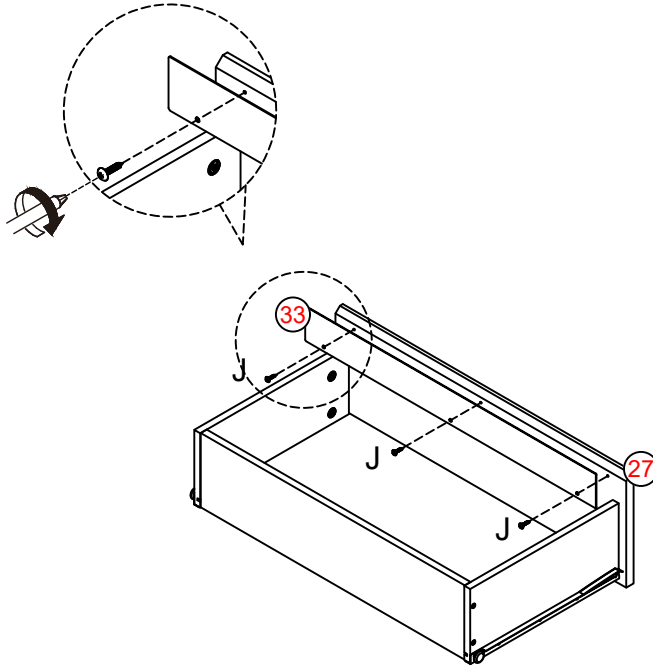
X3

64

J M3.5X14



9 PCS



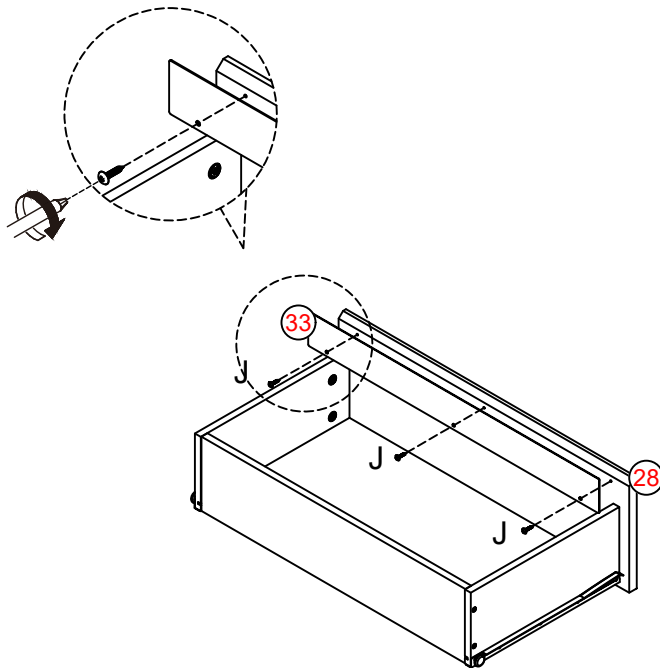
X3

65

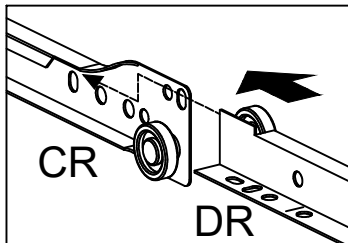
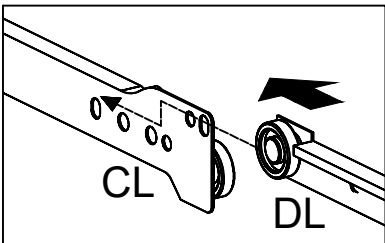
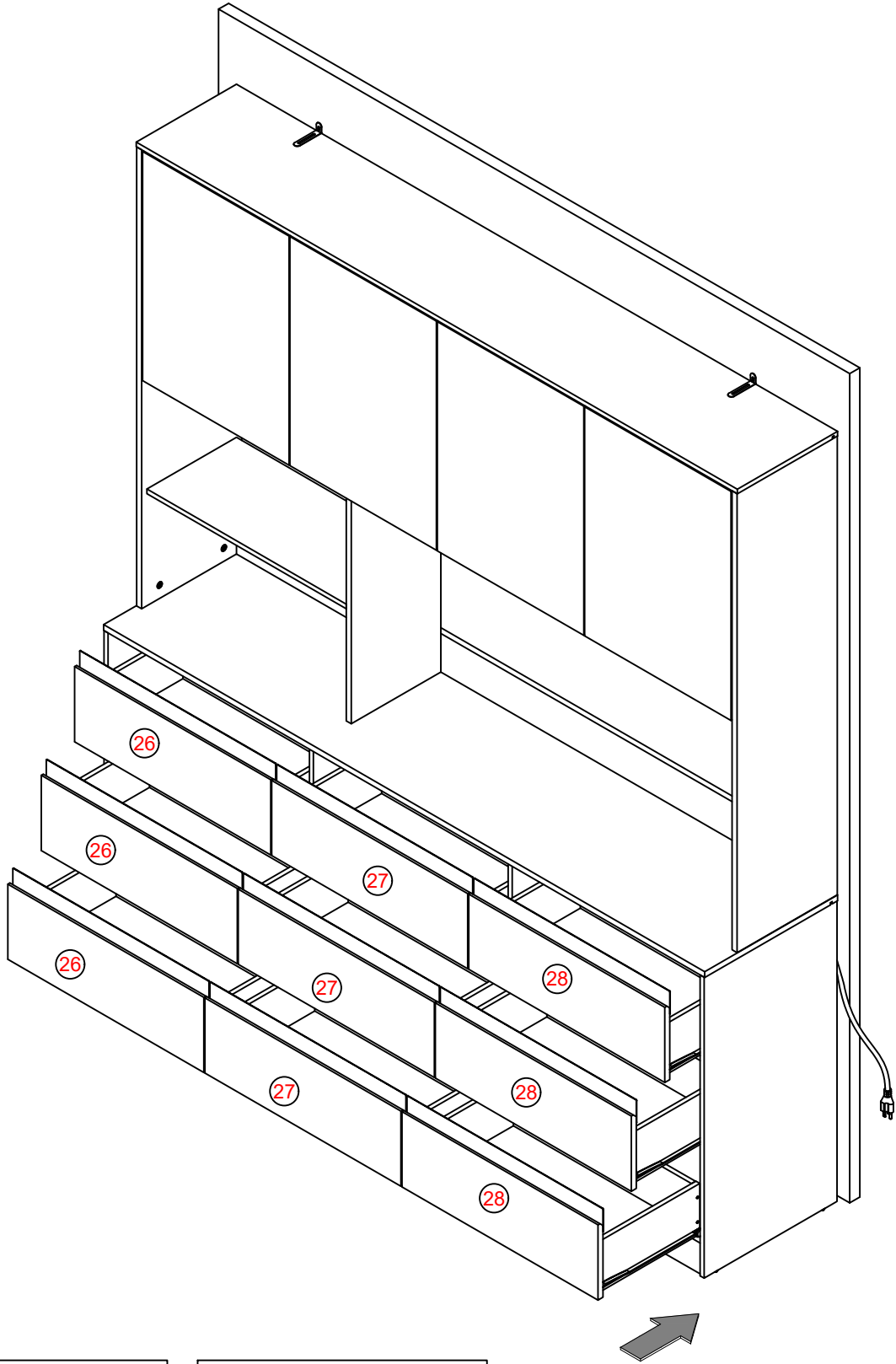
J M3.5X14

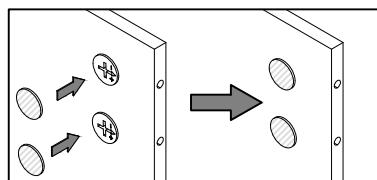
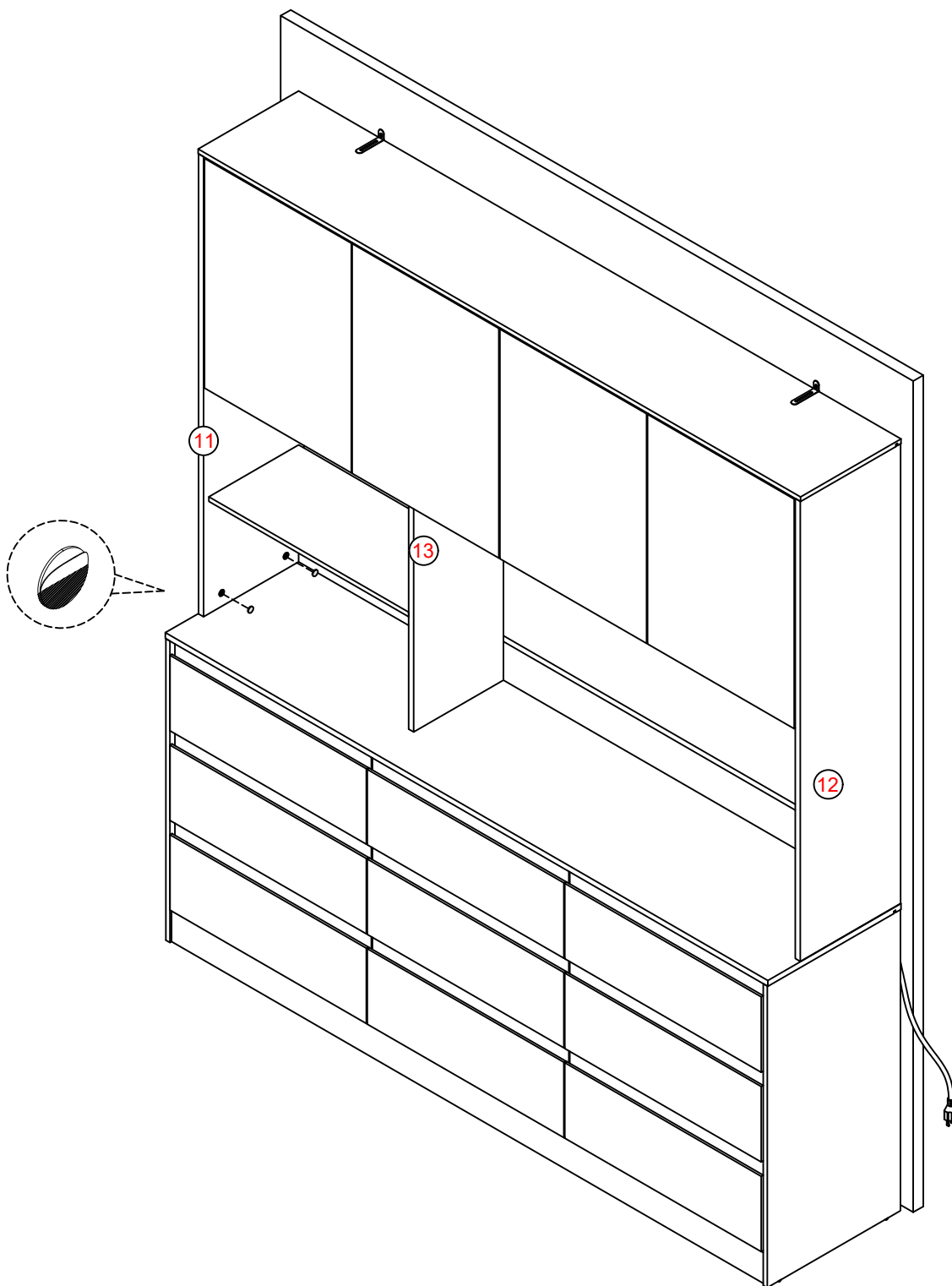


9 PCS



X3





The decals are installed according to personal needs, as shown in the figure.