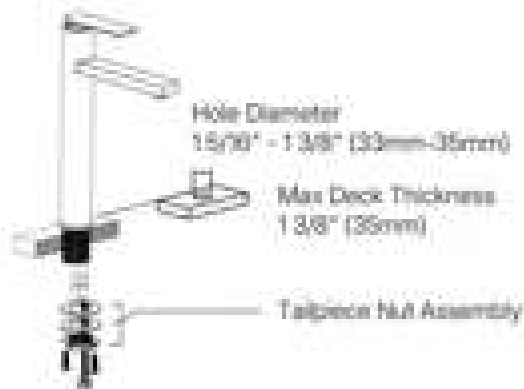


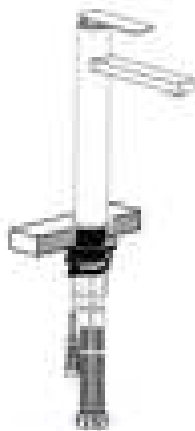
4-STEP QUICK INSTALL

1

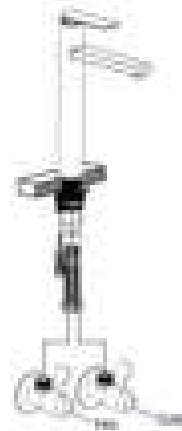
Insert the faucet, and thread the tailpiece nut assembly onto the shank.

2

Connect the cold water inlet pipe (blue) to the right hole, and connect the hot water inlet pipe (red) to the left hole.

3

Tighten the two screws with a Phillips screwdriver.

4

Connect the red and blue inlet pipes to the angle valves.